

# ***Waterway... the leader in Quality, Confidence, Innovation and Service.***



***Oxnard, California***

Waterway is proud to design, engineer and produce our quality line of products right here in the USA. But that capability means a lot more than just Made in USA. Waterway provides the unique opportunity to meet any of your custom Pool, Spa and Bath products needs using only premium NSF Approved materials and meeting all Certifications and Standards. All at our 460,000 sq. ft. facility in Oxnard, California since 1973.

***Designed,  
Engineered &  
Manufactured  
in the USA.***



# ***Waterway***<sup>TM</sup>



2200 East Sturgis Road, Oxnard CA 93030 • Phone 805.981.0262 • Fax 805.981.9403  
waterway@waterwayplastics.com • [www.waterwayplastics.com](http://www.waterwayplastics.com)



*Waterway*

# Drains, Grates & Suctions

Listed, Certified and Tested in strict accordance to the requirements of ANSI/ASME A112.19.8-2007 and ANSI/ASME A112.19.8a-2008 and ANSI/APSP-16 (2011) as defined in CPSC letter dated April 8, 2011. Compliant to the latest Consumer Safety Product Commission Requirements (CPSC).



*Designed,  
Engineered &  
Manufactured  
in the USA.*



# VGB Compliance



All Waterway Drains, Grates and Suctions are Listed, Certified and Tested in strict accordance to the requirements of ANSI/ASME A112.19.8-2007 and ANSI/ASME A112.19.8a-2008 and ANSI/APSP-16 (2011) as defined in CPSC letter dated April 8, 2011. Compliant to the latest Consumer Safety Product Commission Requirements (CPSC).

## WARNING

Read and follow all instructions in the Owner's Manual for the equipment.  
Failure to follow instructions can cause injury and/or death.

### Color Reference

Last Digit of Part No.	Color/Metal Finish
<b>0</b>	White
<b>1</b>	Black
<b>7</b>	Gray
<b>9-BEI</b>	Beige (Tan)
<b>9-DKG</b>	Dark Gray



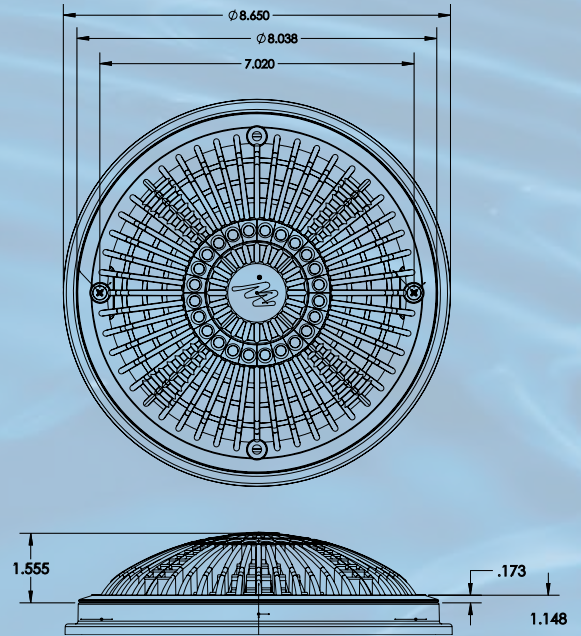
# Tru Flo Covers and Frames



640-1800 V

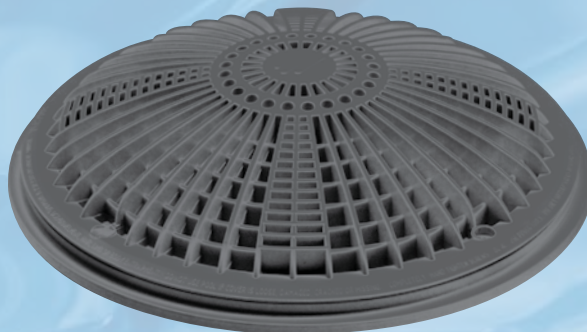
### SPECIFICATIONS:

- Total Open Area: 14.8 sq. in.
- Frame Size: 8" Round
- Floor Flow Rate: 153 GPM @ 2.72 ft/sec
- Wall Flow Rate: 96 GPM @ 1.73 ft/sec
- Flow Rate @ 1.5 ft/sec: 68 GPM



## Tru Flo 8" Covers and Frames

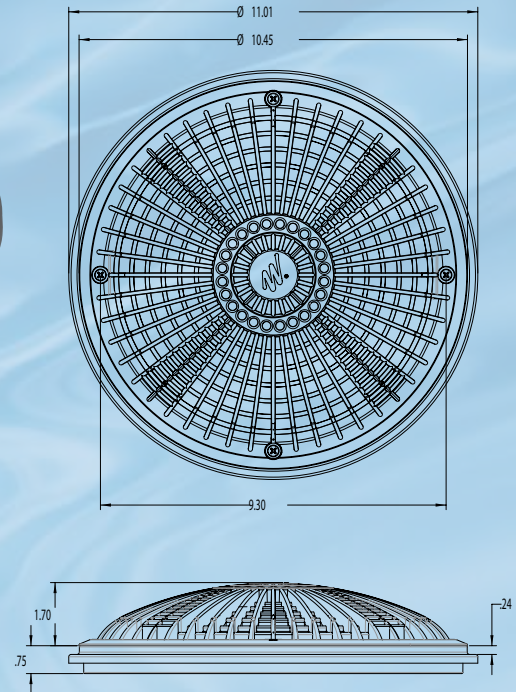
Part No.	Description	Case Weight	Case Quantity
640-18xx V	8" Tru Flo Cover & Frame	17.67 lbs.	25



640-1919-DKG V

### SPECIFICATIONS:

- Total Open Area: 30.9sq.
- Frame Size: 10" Round
- Floor Flow Rate: 200GPM @ 4.04 ft/sec
- Wall Flow Rate: 136 GPM @ 2.24 ft/sec
- Flow Rate @ 1.5 ft/sec: 143 GPM



## Tru Flo 10" Covers and Frames

Part No.	Description	Case Weight	Case Quantity
640-19xx V	10" Tru Flo Cover & Frame	22.65 lbs.	20

Replace the final x in the part number with the color of your choice. See guide on inside front cover.