



POOL DIVERTER VALVES

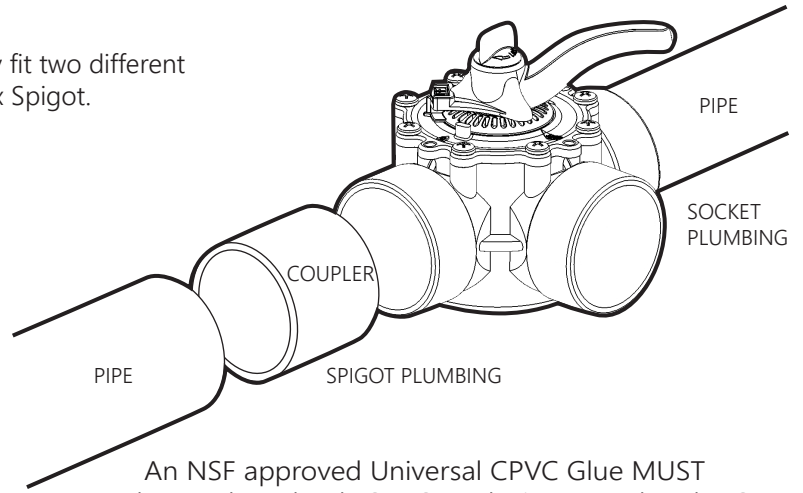
CMP 25912-XXX, 25913-XXX

HydroSEAL

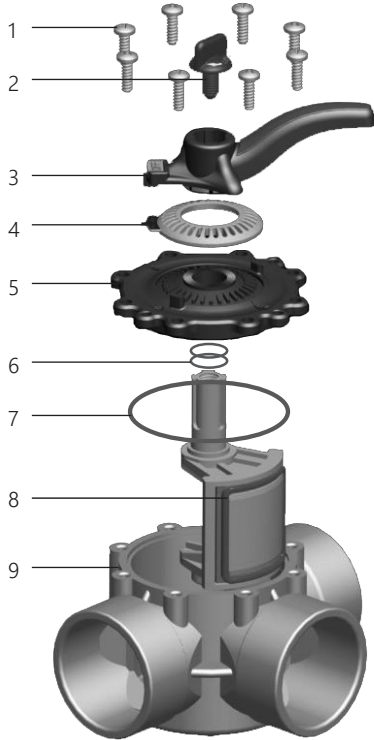
PLUMBING

Each CMP Pool Diverter Valve is designed to simultaneously fit two different size pipe (excluding unionized valves). Each port is Socket x Spigot. Reference the chart below for the different configurations.

If using the Socket (slip fit) plumbing method, simply insert the pipe into the valve port and glue into place. If using the Spigot plumbing method, the pipe must be joined with a coupler or elbow then the coupler or elbow fitting can be glued over the valve port. In both Socket and Spigot plumbing methods, the internal valve assembly must be removed prior to gluing. Make certain that no glue enters the valve body beyond the valve ports.



An NSF approved Universal CPVC Glue MUST be used to plumb CPVC Pool Diverter Valves by CMP.



- | | |
|-------------------|---------------------------|
| 1) 61050-620-185 | Screw |
| 2) 25913-204-070 | Lock Knob |
| 3) 25913-204-030 | Handle |
| 4) 25913-204-060 | Indicator Ring |
| 5) 25913-204-020 | Cover (1.5in, 2in) |
| 5) 25913-254-020 | Cover (2.5in) |
| 6) 26100-171-024 | O-Ring, Valve Stem |
| 7) 26100-780-250 | O-Ring, Housing |
| 8) 25913-204-800 | Diverter Assembly |
| 8) 25913-254-800 | Diverter Assembly (2.5in) |
| 9) N/A | Housing |
| 10) 21021-000-000 | 1.5" Union (not shown) |
| 11) 21023-000-000 | 2" Union (not shown) |

VALVE FUNCTION

NOTE: VALVE HANDLE MUST NOT BE REMOVED DURING USE OR WARRANTY IS VOID.

Lock Knob: Loosen the knob to turn the handle. Turn knob finger tight to secure handle.

Off Indicator: The area on the handle labeled "OFF" shows the exact position of the internal diverter seal.

Handle Stops: Pins located on the valve cover will stop the handle at the points of complete port shut-off. Be sure the "INLET" indicator on the valve cover is located over the incoming flow port.

Indicator Ring: Used when a partially open port is desired. Decide how much of the port is to be open then turn and place the indicator ring so that the arrow points to where the valve handle should stop. The point on the front of the handle should line up with the point on the indicator ring to locate the stopping position.

COMPLETE VALVE ASSEMBLIES:

- 25912-154-000 2-Way CPVC Diverter Valve (NSF), 1.5" S x 2" SP
- 25912-204-000 2-Way CPVC Diverter Valve (NSF), 2" S x 2.5" SP
- 25912-254-000 2-Way CPVC Diverter Valve (NSF), 2.5" S x 3" SP
- 25913-154-000 3-Way CPVC Diverter Valve (NSF), 1.5" S x 2" SP
- 25913-204-000 3-Way CPVC Diverter Valve (NSF), 2" S x 2.5" SP
- 25913-254-000 3-Way CPVC Diverter Valve (NSF), 2.5" S x 3" SP
- 25922-154-000 2-Way CPVC Diverter Valve (NSF), 1.5" Unions
- 25922-204-000 2-Way CPVC Diverter Valve (NSF), 2" Unions
- 25923-154-000 3-Way CPVC Diverter Valve (NSF), 1.5" Unions
- 25923-204-000 3-Way CPVC Diverter Valve (NSF), 2" Unions
- 25932-151-000 2-Way PVC Diverter Valve, 1.5" S x 2" SP
- 25932-201-000 2-Way PVC Diverter Valve, 2" S x 2.5" SP
- 25932-251-000 2-Way PVC Diverter Valve, 2.5" S x 3" SP
- 25933-151-000 3-Way PVC Diverter Valve, 1.5" S x 2" SP
- 25933-201-000 3-Way PVC Diverter Valve, 2" S x 2.5" SP
- 25933-251-000 3-Way PVC Diverter Valve, 2.5" S x 3" SP