

“CR2®” Corrosion Resistant Check Valves

The “CR2®” Back-Flow prevention check valve is completely corrosion resistant, making it the ultimate solution for protecting your expensive Heat Exchangers from the potential damage of inline Chlorinators while also maintaining a Full-Flow circulation system. Numerous features are included with the “CR2®” Valve including a proprietary designed Hastelloy® Spring, Glass-Filled Noryl injection molded shaft, 100% Silicone Gasket and a Clear, serviceable lid. The “CR2®” Valve is also equipped with a ½ lb. spring-loaded gate, allowing it to be installed in any orientation. The “CR2®” valve is available in 1½” Slip, 2” Slip and 2½” Spigot. Economy version without Hastelloy® Spring available.



PART NUMBER	PART DESCRIPTION	IPS SIZE	QTY CASE	WT CASE
CR2® Valve				
0801-20H2	CPVC	2”	12	14

Economy Valve

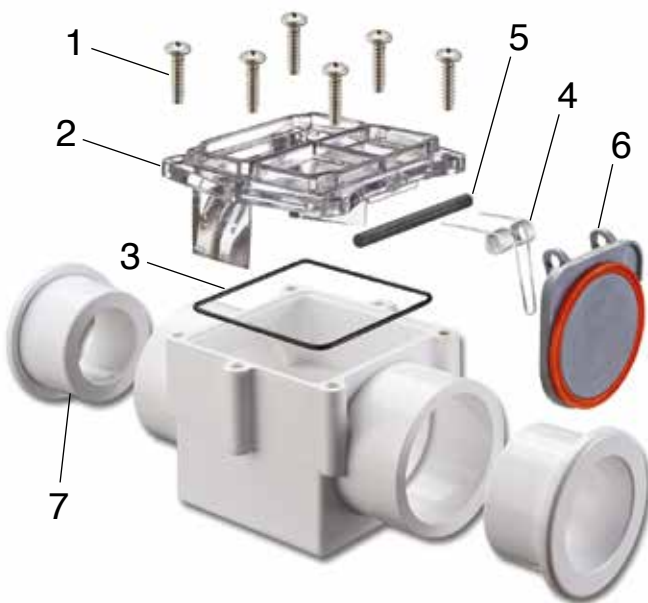
0801-20	ECONOMY	2”	12	14
----------------	---------	----	----	----

0801-20 Not Equipped with Hastelloy® Spring

PART NUMBER	SIZE & DETAIL DESCRIPTION	QTY CASE
0060104028	Adapter, 2” Spigot x 1½” Slip White	24
0061304028	Adapter, 2” Spigot x 1½” Slip Black	24

*1½” Bushings Sold Separately.

Check Valve Replacement Components



ID	PART NUMBER	SIZE & DETAIL DESCRIPTION	PKG QTY
1	0403-006-6	#14 x 1” Phillips Pan Head Stainless Metal Screw	6
2	0191401020	Lid, 2” Swing-Spring Check Valve	1
3	0301-154	O-Ring, 2” Swing-Spring Check Valve	1
4	0405-001	Spring, 2” Swing-Spring Check Valve	1
4	0405-001-H	Hastelloy Spring	1
5	0401-005P	Shaft, 2” Swing-Spring Check Valve	1
6	0081201020	Gate Assembly, 2” Swing-Spring Check Valve	1
7	0060104028	Adapter, 2” Spigot x 1½” Slip White	1
7	0061304028	Adapter, 2” Spigot x 1½” Slip Black	1
RK	0801-20H-RK	Replacement Kit, Check Valve Contains ID# 2, 3, 4(H), 5 & 6	1