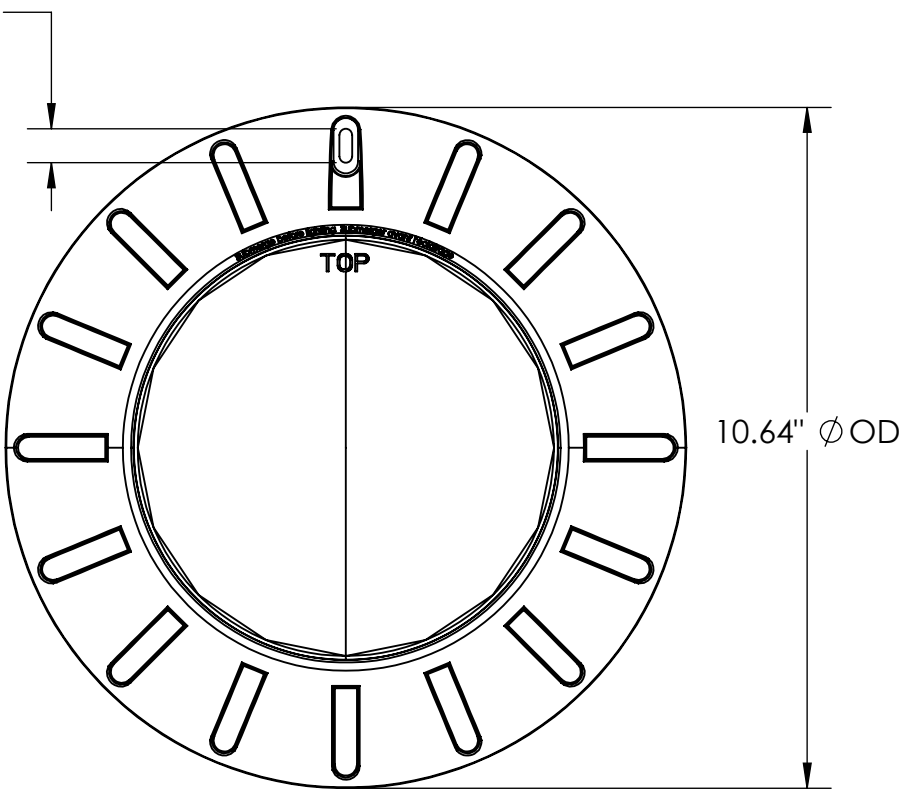
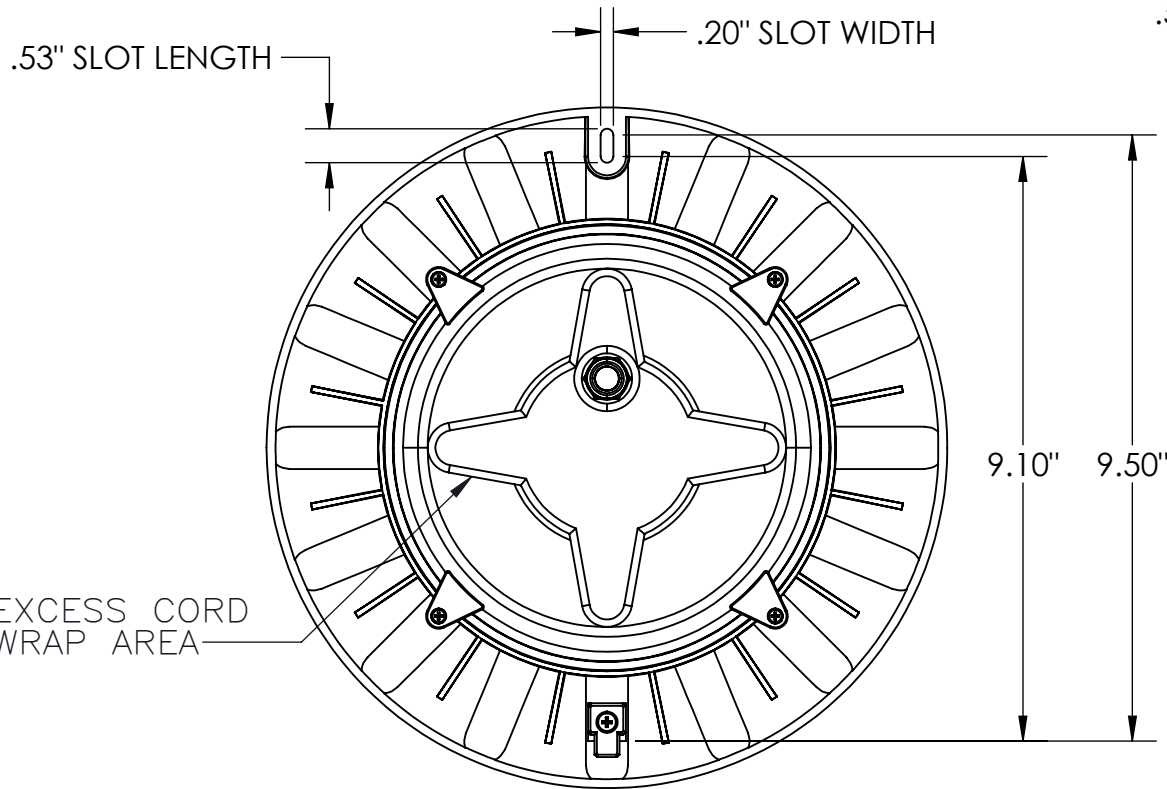
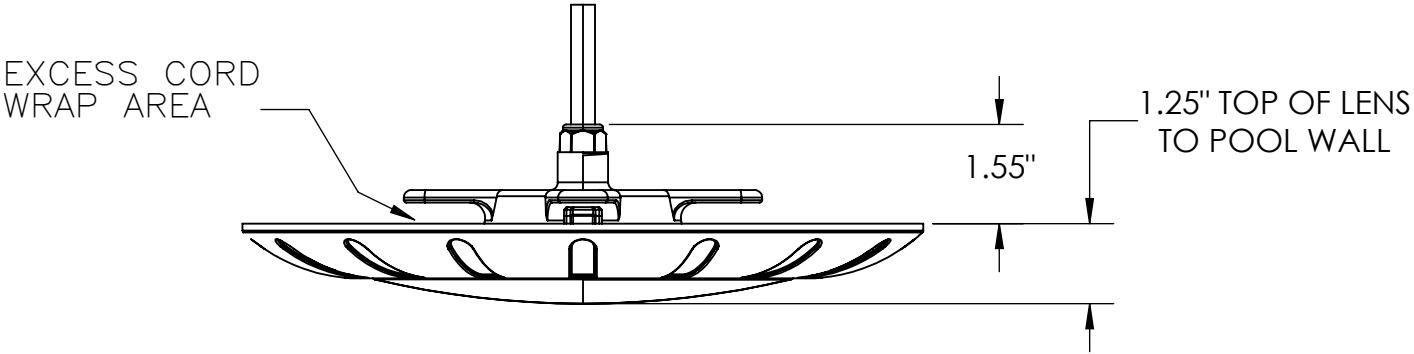


REVISIONS					
REV	NPR NO.	ZONE	DESCRIPTION	DATE	APPROVED
A0	901		RELEASE TO PRODUCTION.	03/11/22	WJS



<p>THIRD ANGLE PROJECTION</p>			<p>UNLESS OTHERWISE SPECIFIED DIMENSIONS ARE IN INCHES. TOLERANCES ARE:</p> <p>FRACTIONS    DECIMALS    ANGLES</p> <p>±            —    .XX ±.01    ± 1°</p> <p>                  .XXX ±.001</p>	<p>APPROVALS</p>	<p>DATES</p>				
						<p>KeloXL LED LIGHT, ASSEMBLY VIEWS</p>			
<p>THIS DOCUMENT CONTAINS PROPRIETARY INFORMATION WHICH SHALL NOT BE REPRODUCED, TRANSFERRED TO OTHER DOCUMENTS, DISCLOSED TO OTHERS, USED FOR MANUFACTURING OR ANY OTHER PURPOSE WITHOUT PRIOR AUTHORIZATION OF S.R. SMITH</p>	NEXT ASSY	USED ON	MATERIAL:			SIZE	UL FILE NO.:	DWG NO.:	REV.
	APPLICATION		PC			FINISH:	<b>B</b>	-	99-15532-00
			DO NOT SCALE DRAWING			SCALE= NTS	MODIFIED BY:	03/11/22	SHEET 1 OF 1