



INSTALLATION AND OPERATION MANUAL

ENGLISH | FRANÇAIS | ESPAÑOL



Jandy Laminar Jet JLLED4C Series JLFBR Series

WARNING

FOR YOUR SAFETY - This product must be installed and serviced by a contractor who is licensed and qualified in pool equipment by the jurisdiction in which the product will be installed where such state or local requirements exist. The maintainer must be a professional with sufficient experience in pool equipment installation and maintenance so that all of the instructions in this manual can be followed exactly. Before installing this product, read and follow all warning notices and instructions that accompany this product. Failure to follow warning notices and instructions may result in property damage, personal injury, or death. Improper installation and/or operation may void the warranty.



DO NOT MODIFY THIS EQUIPMENT.

Improper installation and/or operation can create unwanted electrical hazard which can cause serious injury, property damage, or death.

ATTENTION INSTALLER - This manual contains important information about the installation, operation and safe use of this product. This information should be given to the owner/operator of this equipment.

Table of Contents

Section 1. Safety Information	3	Section 5. Laminar Jet with Fiber Optic Module Installation (Use with JLFBR Series)	11
Section 2. General Installation Requirements	5	5.1 Items Required.....	11
2.1 Water Source.....	5	5.2 Installation.....	11
2.2 Pump.....	5	Section 6. Starting the System	11
2.3 Plumbing.....	5	6.1 Install Jet Assembly.....	11
2.4 LED Light Module.....	5	6.2 Set up Jet.....	11
2.5 Conduit/Fiber Optics Module.....	5	Section 7. Operating the Laminar Jet with LED Light	12
2.6 Critical Placement Dimensions.....	5	7.1 To Operate the Light and Change Colors.....	12
Section 3. Installing the Deck Canister	7	7.2 To Reset to the Beginning of the Color Sequence.....	13
3.1 In-Deck Installation.....	7	Section 8. Light Intensity Set Up	13
3.2 Out-of-Deck/Planter Box Installation.....	8	8.1 Light Intensity Adjustment Set.....	13
3.3 Pressure Test Water Lines.....	9	Section 9. General Maintenance and Troubleshooting	13
3.4 Flush Water Lines.....	9	9.1 Clogged Finger Screen.....	13
Section 4. Laminar Jet with LED Light Installation (Use with JLLED4C Series)	9	9.2 Winterization.....	14
4.1 Preparing the Laminar Jet with LED Light for Installation.....	9	Section 10. Parts List and Exploded View	14
4.2 Installing the Laminar Jet with LED Light.....	9	10.1 Parts List.....	14
4.3 Wiring Options for Controlling Laminar Jet with LED Lights.....	10	10.2 Exploded View.....	15
4.4 Twelve (12) Volt Transformer Installation.....	11		

Section 1. Safety Information

IMPORTANT SAFETY INSTRUCTIONS PERTAINING TO A RISK OF FIRE, ELECTRIC SHOCK, OR INJURY TO PERSONS

READ AND FOLLOW ALL INSTRUCTIONS

When installing and using this electrical equipment, basic safety precautions should always be followed, including the following:

WARNING

RISK OF ELECTRICAL SHOCK OR ELECTROCUTION. This Laminar Jet with LED light must be installed by a licensed or certified electrician in accordance with the National Electrical Code® and applicable local codes and ordinances. In Canada, the Canadian Electrical Code and all applicable local codes and ordinances must be adhered to. Improper installation will create an electrical hazard, which could result in death or serious injury to pool or spa users, installers, or others due to electrical shock, and may also cause damage to property. Read and follow the specific instructions below.

WARNING

Before installing this Laminar Jet with LED light, read and follow all warning notices and instructions accompanying this product. Failure to follow safety warnings and instructions can result in severe injury, death, or property damage. Visit www.jandy.com or call (800) 822-7933/ (888) 647-4004 (Canada) for additional free copies of these instructions.

WARNING



ATTENTION INSTALLER: This manual contains important information about the installation, operation and safe use of this product. This information should be given to the owner/operator of this equipment.

WARNING



- Do not connect system to an unregulated city water system or other external source of pressurized water producing pressures greater than 35 PSI.
- Pressurized air in system can cause product failure or also cause the filter lid to be blown off which can result in death, serious personal injury, or property damage. Be sure all air is out of system before operating or testing the equipment.

WARNING



The maximum operating pressures for pumps, filters, and other equipment are specified in their individual installation/operating instructions. Never subject the system to test or operating pressures exceeding these specifications. Pressures above maximum component operating ratings can cause product failure or cause the filter lid to be blown off, or other equipment failures which can result in death, serious personal injury, or property damage.

! WARNING

To minimize risk of severe injury or death the filter and/or pump should not be subjected to the piping system pressurization test.

Local codes may require the pool piping system to be subjected to a pressure test. These requirements are generally not intended to apply to the pool equipment such as filters or pumps.

Jandy pool equipment is pressure tested at the factory.

If however this WARNING cannot be followed and pressure testing of the piping system must include the filter and/or pump **BE SURE TO COMPLY WITH THE FOLLOWING SAFETY INSTRUCTIONS:**

- Check all clamps, bolts, lids, lock rings and system accessories to ensure they are properly installed and secured before testing.
- **RELEASE ALL AIR** in the system before testing.
- Water pressure for test must **NOT EXCEED 35 PSI**.
- Water temperature for test must **NOT EXCEED 100°F (38°C)**.
- Limit test to 24 hours. After test, visually check system to be sure it is ready for operation.

NOTICE: These parameters apply to Jandy equipment only. For non-Jandy equipment, consult equipment manufacturer.

! WARNING**RISK OF ELECTRICAL SHOCK OR ELECTROCUTION**

which could result in serious injury or death. A Ground Fault Circuit Interrupter (GFCI) for 120 Volt transformers should be used if required by the transformer manufacturer or if required by the local applicable code and/or Authority Having Jurisdiction (AHJ). When a GFCI is used, the conductors on the load side of the GFCI circuit shall not occupy conduit, boxes, or enclosures containing other conductors unless the additional conductors are also protected by a GFCI. Refer to local codes for complete details.

SAVE THESE INSTRUCTIONS

Section 2. General Installation Requirements

This document provides instructions for installing the Jandy Laminar Jet with LED Lights. Read through the instructions completely before starting the procedure. The laminar jet is designed to provide a clear, adjustable stream of water that arcs high up and out into the pool.

The laminar jet comes with a built-in LED light module or a fiber optic module that accepts lighted fiber optics. These light sources light the arc of water creating a dazzling nighttime effect. This unique water feature is easily installed and multiple jets can be combined to create spectacular water entertainment.

To properly install this product please review the following installation and maintenance instructions.

2.1 Water Source

The laminar jet water supply line must be filtered by a cartridge filter (do not use a sand filter). If you are using a dedicated filter - it must be a minimum of 20 sq-ft (1.85 m²). For multiple jet installations, use a minimum of 100 sq-ft (9.3 m²), such as the Jandy CS100 filter.

2.2 Pump

The required minimum pump flow for each laminar jet is shown in the table below:

Gallons (US gpm/lpm)	7.5 /28	8/30	8.5/32
Inlet Pressure (psi)	9.5	10.3	11
Height of Jet (ft/m)	5/1.5	6/1.8	7/2.1

2.3 Plumbing

Each laminar jet requires a 1½ to 2 in (38 - 50 mm) PVC main feed line with 1 in (25 mm) PVC entering the deck canister. A check valve is also required and should be placed as far from the deck canister as possible to minimize water turbulence.

2.4 LED Light Module

The 12V LED light module offers vibrant lighting in nine (9) brilliant colors and five (5) festive color shows that can be controlled manually, by the AquaLink® RS Control System (Rev O or newer) or by the Jandy PDA Control System (Rev 4.0 or newer). The light module can be synchronized with Jandy's Pool and Spa LED lights and operates on less than 25 watts of power.

2.5 Conduit/Fiber Optics Module

If installing fiber optics, each laminar jet will require 100 to 150 strand fiber optic cable. One hundred-fifty strand cable is recommended due to the enhanced lighting effects.

2.6 Critical Placement Dimensions

The laminar jet can project a maximum of 7 feet (2.1 m) up and 8 feet (2.4 m) out into the water. Therefore, ensure the installation is no more than 6 feet (1.8 m) from the *inside* edge of the pool.

NOTE: To avoid water spray on the deck in high wind areas, place the laminar jet closer to the edge of the pool.

NOTE: The deck canister lid can only rotate approximately 90 degrees to the left or the right. Therefore, make sure that the deck canister is positioned towards the desired target location (see Installing the Deck Canister) prior to completing the installation.

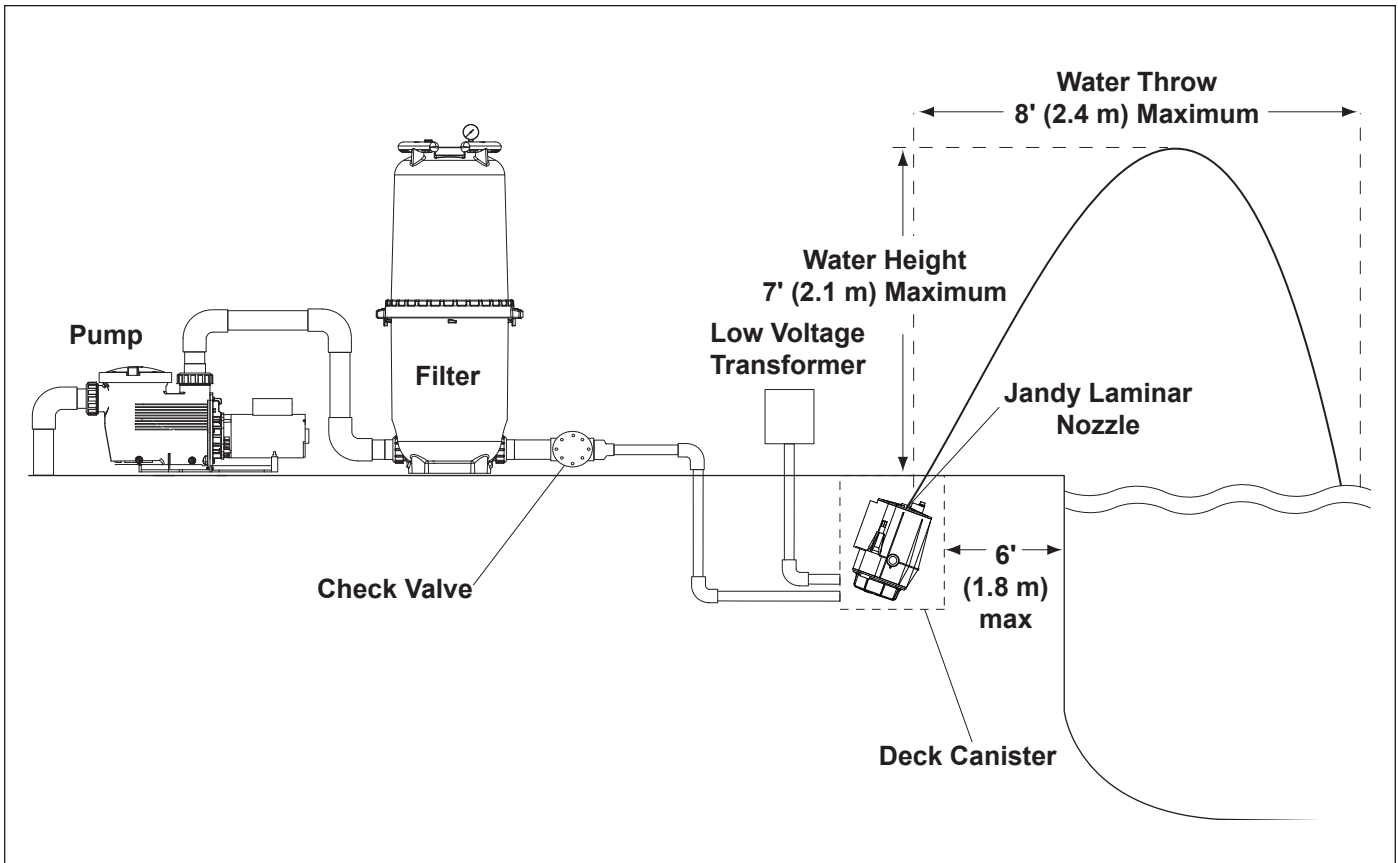


Figure 1. Basic Plumbing Diagram for Laminar Jet with Deck Canister

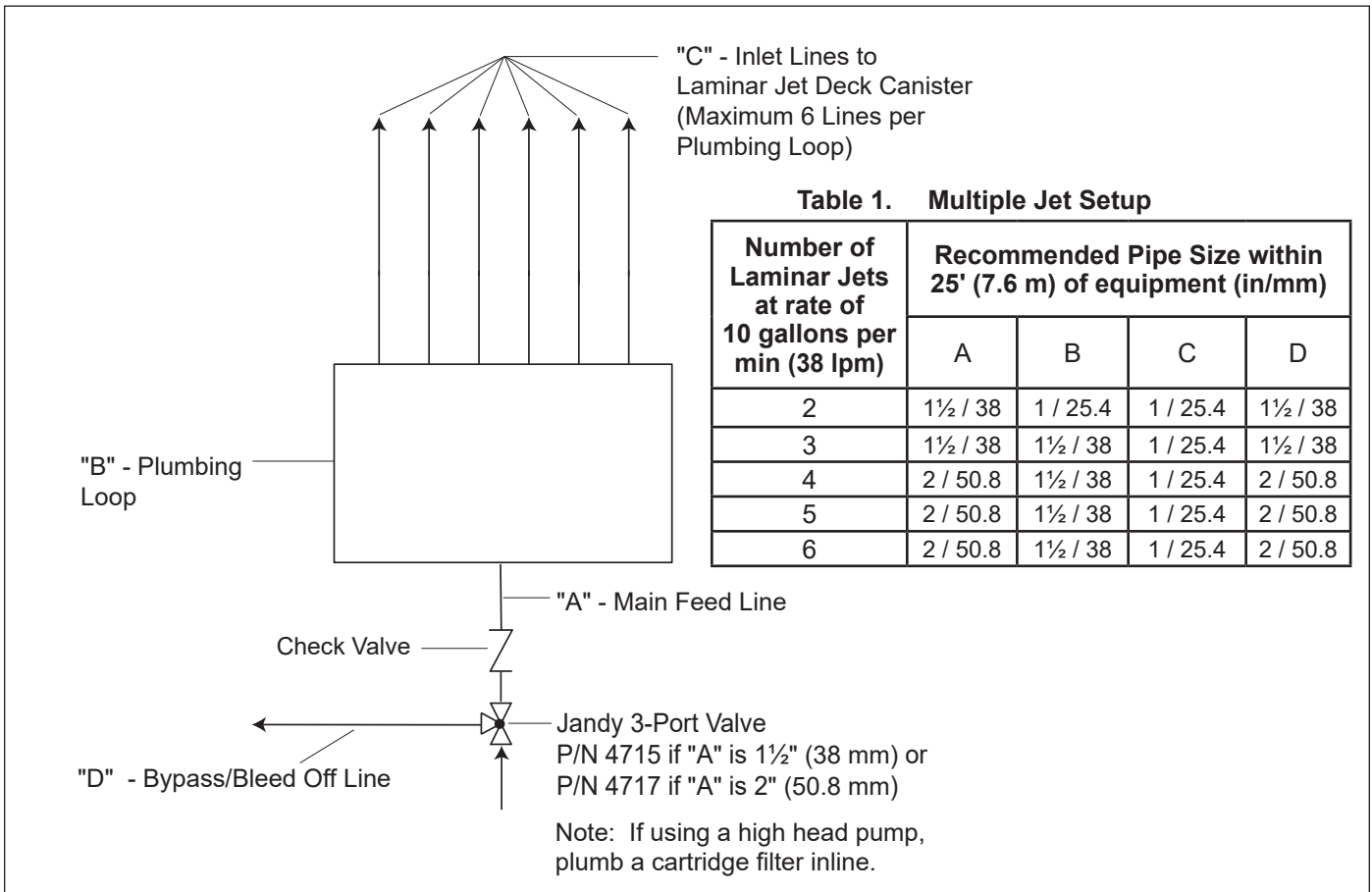


Figure 2. Plan View of Plumbing Loop for Multiple Laminar Jets

Section 3. Installing the Deck Canister

NOTE: Prior to installing the Jandy Laminar Jet deck canister, locate the jet opening (slot) in the deck canister cover. Make sure that this opening is pointing towards the desired target location in the pool. Use the water stand pipe as a reference. Determining the orientation of the deck canister will also establish where to place the plumbing and fiber optic conduit.

NOTE: The deck canister lid can only rotate approximately 90 degrees to the left or the right. Therefore, make sure that the deck canister is positioned towards the desired target location prior to completing the installation.

3.1 In-Deck Installation

1. Dig the hole for the deck canister approximately 24 inches deep and 18 inches in diameter. This will ensure enough room for positioning the canister and laying out the plumbing. This depth also allows for the addition of a layer of pea gravel, about 1/8 to 1/4" size (3-6 mm), for stability and additional drainage. Refer to deck canister dimensions.

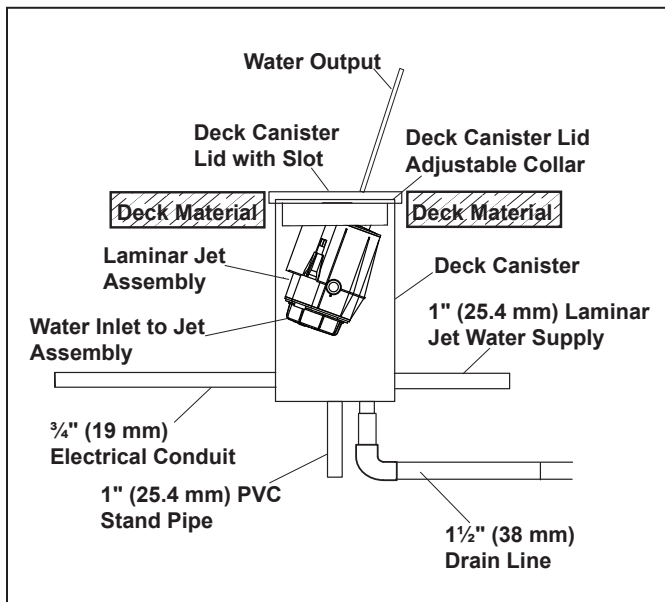


Figure 3. Laminar Jet Deck Canister Schematic

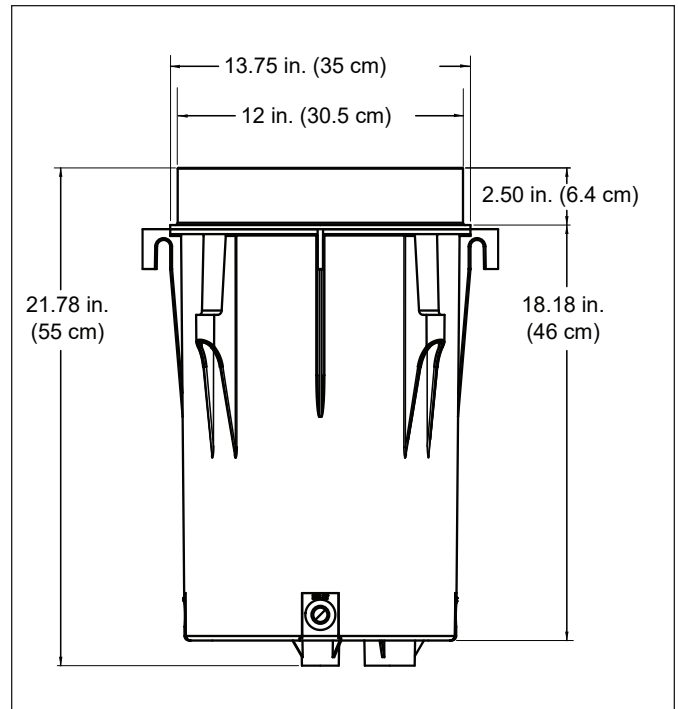


Figure 4. Deck Canister Dimensions

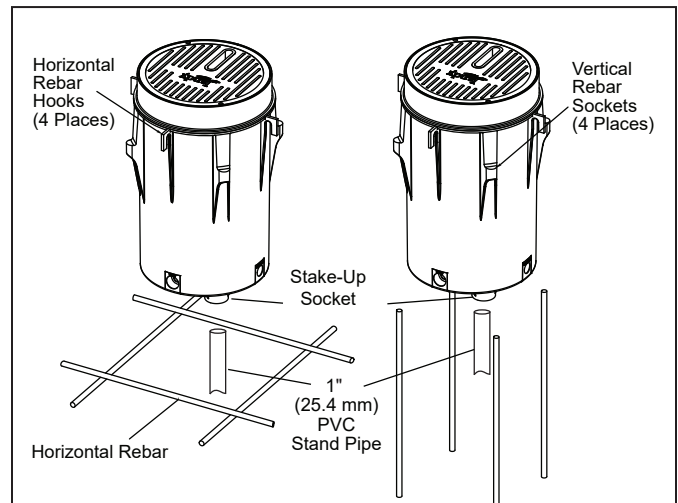


Figure 5. Deck Canister Rebar Hooks and Sockets

2. Set the deck canister in the hole. The top edge of the lid/collar should be flush with the finished deck, after the deck material is poured.

NOTE: To ensure that the canister stays upright while installing and leveling the unit, place a 6 inch (15 cm) piece of 1 inch (25.4 mm) PVC pipe in the construction support stake-up socket located on the bottom of the canister.

3. Level the deck canister. To hold the canister in place while the deck is poured, secure the canister by tying it with tie wire to the steel framework of the deck. To mount level, horizontal rebar hooks and vertical rebar sockets are provided around the outside of the canister.

4. Plumb the incoming filtered water supply to the 1 inch (25.4 mm) hub located on the side of the deck canister marked “Inlet”. The filtered water supply must include a check valve.
5. Plumb the conduit for the fiber LED cable to the 3/4 inch (19 mm) socket located either side of the deck canister marked “Electrical”. Refer to fiber optic installation instructions.

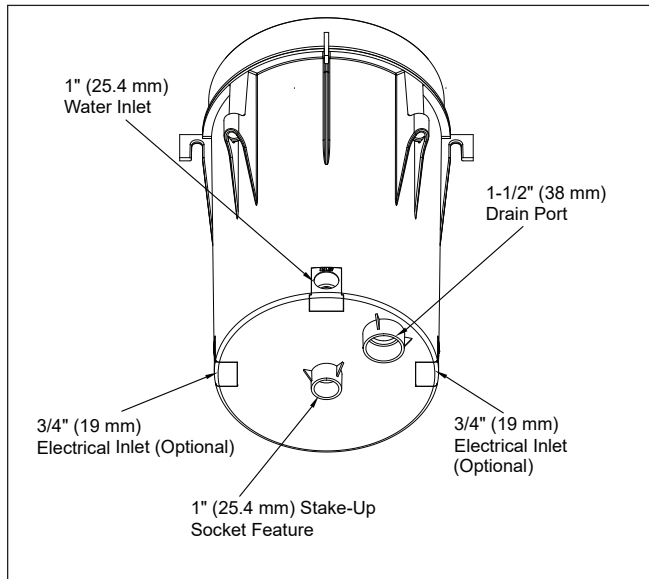


Figure 6. Deck Canister - Bottom View

NOTE: Use one (1) of the two (2) electrical inlets, located on either side of the deck canister, which are provided for installation ease.

6. Plumb in the 1½ inch (38 mm) drain line. Adequate drainage must be provided for the deck canister.

NOTE: Proper drainage for the deck canister is critical to avoid damage to the laminar jet assembly.

7. Verify the deck canister is level.
8. Place the adjustable deck lid collar back on the canister. This collar allows the installer to make fine adjustments when leveling the canister to be flush with the deck's finished surface. Set the collar at the finished deck level and pour the deck.

3.2 Out-of-Deck/Planter Box Installation

CAUTION

Do not install the Jandy Laminar Jet deck canister in an area prone to run-off or flooding or on a flammable surface.

NOTE: The deck canister lid can only rotate approximately 90 degrees to the left or the right. Therefore, make sure that the deck canister is positioned towards the desired target location prior to completing the installation.

1. Dig the hole for the deck canister approximately 24 inches deep and 18 inches in diameter (60 cm deep, 45 cm diameter). This will ensure enough room for positioning the canister and laying out the plumbing. The dimensions allow for the addition of a layer of pea gravel, about 1/8 to 1/4" size (3-6 mm), for drainage, as well as room to pour concrete around the outside of the canister for stability.

NOTE: Proper drainage for the deck canister is critical to avoid damage to the laminar jet assembly.

2. Lift up the lid and jet assembly and adjustable deck lid collar from the deck canister.

NOTE: To ensure that the canister stays upright while installing and leveling the unit, place a 6 inch (15 cm) length of 1 inch (25.4 mm) PVC pipe in the stake-up socket feature located on the bottom of the canister.

3. Set the deck canister in the hole. The canister should be approximately 1½-2 inches (38-50 mm) *above* the finished grade in the planter.

NOTE: Unlike the in-deck installation, the deck canister cover cannot be flush with the finished grade. It must sit slightly above the surface to prevent water and debris from seeping into the canister.

4. Level the deck canister. To hold the canister in place, position a 6 inch piece (15 cm) of 1 inch (25.4 mm) PVC pipe in the construction support socket located on the bottom of the canister.
5. Plumb the incoming, filtered water supply to the 1 inch (25.4 mm) hub located on the bottom of the deck canister marked “Inlet”. The filtered water supply must include a check valve.
6. Plumb the conduit for the fiber/LED cable to the 1 inch (25.4 mm) hub located on the bottom of the deck canister marked “Electrical”. Refer to fiber optic installation instructions.
7. Plumb in the 1½ inch (38 mm) drain line located on the bottom of the deck canister. Adequate drainage must be provided for the canister.
8. Fill in the hole surrounding the deck canister with concrete or suitable backfill material for stability in the ground.
9. Place the adjustable deck lid collar back on the canister.

3.3 Pressure Test Water Lines

WARNING

The maximum operating pressures for pumps, filters, and other equipment are specified in their individual installation/operating instructions. Never subject the system to test or operating pressures exceeding these specifications. Pressures above maximum component operating ratings can cause product failure, or also cause the filter lid to be blown off, or other equipment failure which can result in death, serious personal injury, or property damage.

The unit is shipped ready for the pressure test with a cap on the flexible hose that is attached to the canister.

NOTE: This cap can be used to winterize the system or service the unit, if needed.

When performing hydrostatic pressure tests or when testing for external leaks of the completed filtration and plumbing system, ensure that the maximum pressure the filtration system is subjected to does not exceed the maximum working pressure of any of the components within the system.

3.4 Flush Water Lines

It is important that prior to reinstalling the laminar jet and deck canister lid, the installer must turn on the water source and flush the lines of any debris.

NOTE: The finger screen is installed in the fitting under the cap. Remove the finger screen when flushing the line and reinstall the screen when reinstalling the cap or the jet assembly.

Section 4. Laminar Jet with LED Light Installation (Use with JLLED4C Series)

WARNING

Risk of Electrical Shock or Electrocution which may result in serious injury or death. The Jandy Laminar Jet are only available for 12-volt AC power. For supply connection, use only an isolating low voltage power supply with ungrounded output, listed by an NRTL for swimming pool use. A Ground Fault Circuit Interrupter (GFCI) for 120 Volt transformers should be used if required by the transformer manufacturer or if required by the local applicable code and/or Authority Having Jurisdiction (AHJ). When a GFCI is used, the conductors on the load side of the GFCI circuit shall not occupy conduit, boxes, or enclosures containing other conductors unless the additional conductors are also protected by a GFCI. Refer to local codes for complete details. This laminar jet with LED light must be installed by a licensed or certified electrician or a qualified pool serviceman in accordance with the National Electrical Code® and all applicable local codes and ordinances. Improper installation will create an electrical hazard, which could result in death or serious injury to pool or spa users, installers or others due to electrical shock, and may also cause damage to property.

WARNING

Always disconnect the power to the laminar jet with LED light at the circuit breaker before installing or servicing the light. Failure to do so could result in death or serious injury to serviceman, pool or spa users or others due to electrical shock.

4.1 Preparing the Laminar Jet with LED Light for Installation

NOTE: The electrician must complete preparatory steps before the laminar jet with LED light is installed.

Ensure that the pool meets the requirements of the current National Electrical Code and all local codes and ordinances. A licensed or certified electrician must install the electrical system to meet or exceed those requirements before the laminar jet with LED light is installed. Some of the requirements of the National Electrical Code, which the pool electrical systems must meet, are as follows:

1. The low voltage transformer must be located at least 8 inches (20 cm) above water level, at least 4 inches (10 cm) above ground level, and at least 4 feet (1.2 m) from the edge of the pool.
2. All metal items within 5 feet (1.5 m) of the pool must be properly electrically bonded to a reliable point of grounding.

4.2 Installing the Laminar Jet with LED Light

NOTE: Perform these steps only after the electrical system requirements are met.

1. Feed cord through conduit to low voltage transformer, leaving at least 4 feet of cord at the light fixture to coil into the deck canister. The 4 feet (1.2 m) of cord allows the light to be easily serviced.
2. Cut the cord at the low voltage transformer, leaving at least 6 inches (15 cm) of cord to make connections.
3. Strip 6 inches (15 cm) of the outer cord jacket to expose the three (3) insulated wires. *Be careful not to damage the insulation on the three (3) inner wires.*
4. Install strain relief over cord jacket and connect all three (3) wires to the corresponding circuit wires in the low voltage transformer. Install the low voltage transformer cover.
5. Turn on main switch or circuit breaker, and the switch, which operates the laminar jet with LED light, to check for proper operation. Refer to operating instructions.

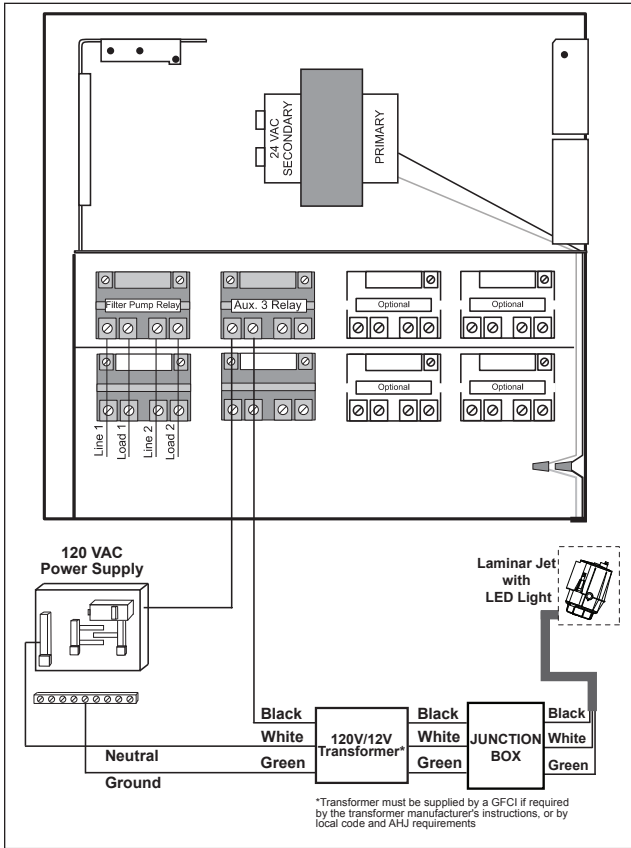


Figure 7. 12-Volt Laminar Jet with LED Light Wiring Diagram

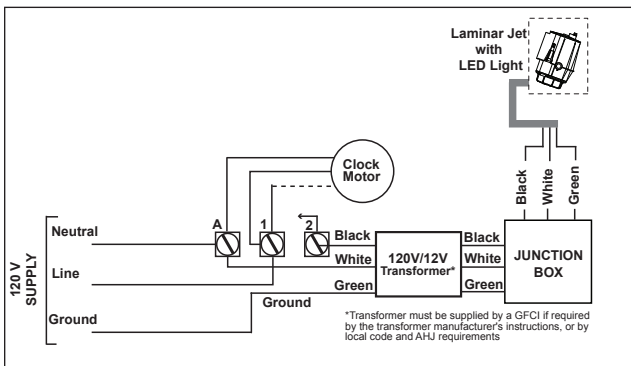


Figure 8. Wiring the Laminar Jet with LED Light to a Time Clock

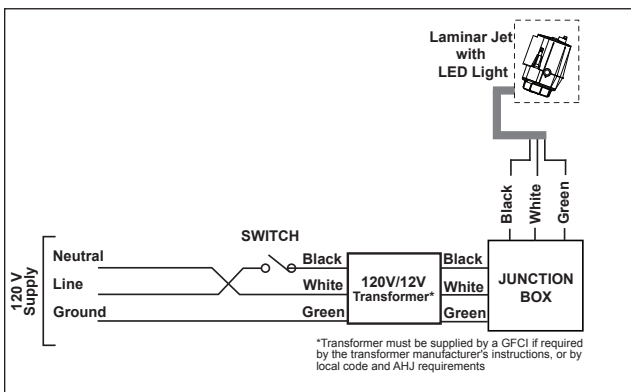


Figure 9. Wiring the Laminar Jet with LED Light to a Switch

4.3 Wiring Options for Controlling Laminar Jet with LED Lights

NOTE: The laminar jet with LED lights will not operate properly with light dimmers. Do not wire the laminar jet with LED lights to any dimming circuitry.

To the extent allowed by code and capacity of the electrical equipment, multiple laminar jets with LED lights may be controlled with a single switch so their colors will *always* be synchronized.

Separate switches may be used to control the on/off and color functions of each laminar jet with LED light. It is recommended that these switches be located next to each other to facilitate simple color synchronization when desired. All switches must be operated at the same time to assure color synchronization. Otherwise, the lights will work independently of each other.

4.3.1 Wiring to an AquaLink® RS Control System

The laminar jet with LED light can be wired into the Jandy AquaLink RS control system to provide simplified operation of the lights, as well as a means to synchronize the color change function. Connect the laminar jet with LED lights to one of the auxiliary relays in the Power Center.

NOTE: It is recommended to connect one (1) laminar jet with LED light per relay so each light can be controlled separately. However, up to four (4) laminar jets with LED lights can be connected on a single relay. If there are more than four (4) lights installed on one (1) AquaLink RS system, ensure there is more than one (1) auxiliary relay available in the Power Center.

Connect the laminar jet with LED lights to the power center.

NOTE: The laminar jet with LED light operates only on 12 volts AC. A suitable 120-volt/12-volt stepdown AC transformer **MUST** be used. Read further for more important details.

4.3.2 Wiring to a Time Clock

The laminar jet with LED lights can be wired into a basic time clock to automatically turn on the laminar jet with LED lights at a predesignated time. Connect the laminar jet with LED lights into the time clock.

4.3.3 Wiring to a Switch

The laminar jet with LED lights can be wired into a switch to manually turn on/off the lights. Connect the laminar jet with LED lights into the switch.

4.4 Twelve (12) Volt Transformer Installation

The laminar jet with LED lights requires the use of a 120/12VAC-100 watt low voltage lighting transformer.

NOTE: For optimum performance Zodiac Pool Systems, Inc. recommends using one transformer per 12-volt laminar jet. However, it is possible to power up to 4 laminar jets with one 200 watt transformer.

To ensure maximum safety, the transformer used to power the laminar jet with LED lights must be one that is listed by a Nationally Recognized Testing Laboratory (NRTL) for the application.

NOTE: If the pool already has a low voltage transformer powering the pool and/or spa lights, do not use the same transformer to power the laminar jet with LED lights. This is to ensure that the laminar jet's LED lights are only turned on when the laminar jet pump is running.

Section 5. Laminar Jet with Fiber Optic Module Installation (Use with JLFBR Series)

5.1 Items Required

The tools and supplies necessary for installation of the fiber optic module:

Tools	Utility knife or hot knife; Heat gun or propane torch.
Cable	Each jet requires 100 to 150 strands of fiber optic cable. Do not use more than 40 feet (12 m) of cable per nozzle as light output will be diminished.
Illuminator	Use illuminator with sufficient capacity of lighting effect intended.
Additional Materials	Electrical tape; Silicon (RTV)

5.2 Installation

1. Remove 6 inches (15 cm) of the cable jacket.
2. Using black electrical tape, tightly tape over the exposed fiber leaving approximately ½ inch (13 mm) exposed fiber at the end of the cable. The tape prevents the individual fibers from separating.
3. With a hot knife, cut the fiber optic cable so that the cable end is a flat surface. For best results, heat knife to cherry red.

NOTE: Do not cut the fiber ends too close to the taped edge. Leave a ¼ inch (6 mm) distance between the cable end and the end of the taped edge. This will prevent adhesive on the tape from melting and getting on the ends of the fiber optic strands.

4. Slide the completed fiber optic cable through the Heyco®** waterproof fitting and up the tube (located at the bottom of the jet) until the cable bottoms out on the lens inside unit. Secure the fiber by tightening the waterproof fitting.

*Heyco is a registered trademark of Heyco Products, Inc.

NOTE: Allow at least four (4) feet (1.2 m) of extra fiber optic cable in the deck canister to allow the laminar jet to be easily removed.

5. Fill the electrical conduit between the opening and the fiber optic cable with RTV silicon to prevent water from entering the conduit. Let dry. The unit is now ready for operation.
6. Install illuminator and attach fiber optic cable according to instructions supplied with the illuminator.

Section 6. Starting the System

6.1 Install Jet Assembly

1. Disconnect the pressure cap that is installed on the flexible PVC hose.

NOTE: The system should be pressure tested before starting the system.

2. Flush water lines to clear debris. Lines must be clear of debris before attaching the laminar jet assembly.

NOTE: The finger screen is installed in the fitting under the cap. Remove the finger screen when flushing the line and reinstall the screen before installing the laminar jet assembly.

3. Connect the nut on the flexible hose of the laminar jet assembly and the threaded union of the flexible hose attached to the deck jet canister.

6.2 Set up Jet

1. Place the jet assembly into the canister and align the mounting brackets to the collar.
2. Ensure the flow adjustment valve is open by turning it counter-clockwise until it stops with a screw driver or a 1/2" (12.7 mm) socket wrench.
3. Turn on the water at a reduced rate and slowly fill the unit. When the unit is filled, increase the water supply until the jet stream reaches its intended target.

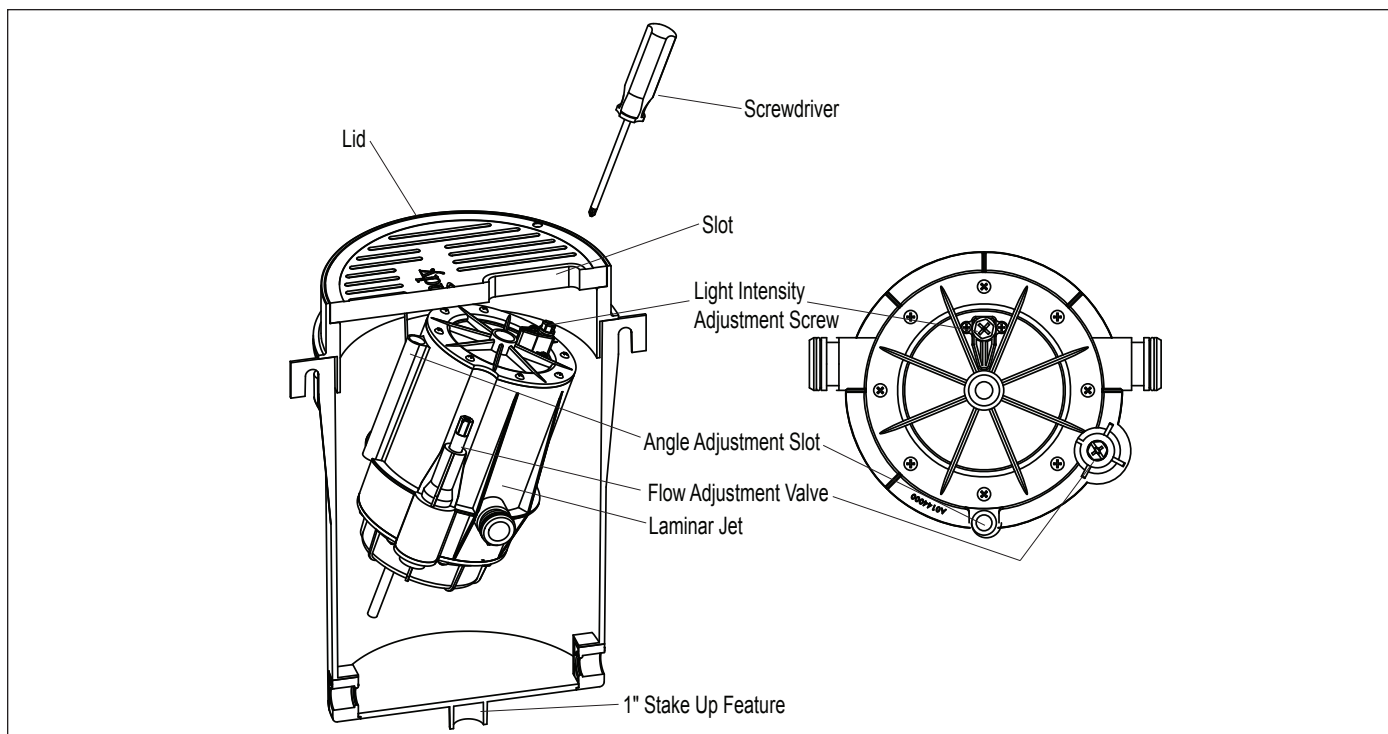


Figure 10. Laminar Jet Light and Flow Adjustment

- Use the flow adjustment valve to make final adjustments to the overall water height of the jets.

NOTE: Laminar jets are sensitive to wind, earth movement and equipment vibration. Secure the laminar jet and deck canister to minimize vibration. Periodic stream distortion caused by pump vibrations and motor electrical fluctuations is normal and not indicative of a nozzle defect. Also, occasionally a nozzle will “burp” due to pumped air collecting in the nozzle body. This is normal and will occur until all air is purged from the piping system. Trapped air can also cause slight distortion in water action. It is imperative that all air is removed to ensure proper water feature operation.

- To adjust the angle of the jet move the laminar jet up or down to increase or decrease the angle by hand or using a screwdriver in the angle adjustment slot.

NOTE: The angle can be adjusted approximately 10°.

- The laminar jet is installed on two (2) pivots. Loosen the locking screws to adjust the jet angle. Once you are satisfied with the angle and location of the jet, tighten the locking screws.
- Secure the deck canister lid to the deck canister collar, using two (2) #10 by 1½ inch (38 mm), Phillips flat head stainless steel screws.

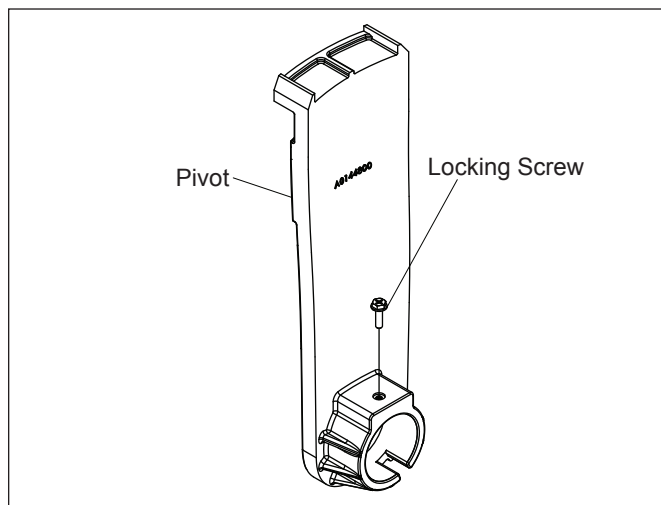


Figure 11. Locking Screw Location

NOTE: It is recommended to drill 1/8" (3 mm) pilot holes in the lid. Then the screws can be threaded into the holes. This will complete the installation and secure the jet from movement.

Section 7. Operating the Laminar Jet with LED Light

7.1 To Operate the Light and Change Colors

Turn the light ON. The first time the light is turned on, the color sequence begins with the Alpine White. To change the color, turn the light OFF and then ON within three (3) seconds. Continue turning OFF and ON until the desired light color mode is reached.

Table 2. Jandy Laminar Jet with LED Lights Sequence

Sequence Order	Color Modes
1	Alpine White
2	Sky Blue
3	Cobalt Blue
4	Caribbean Blue
5	Spring Green
6	Emerald Green
7	Emerald Rose
8	Magenta
9	Violet
10	Slow Color Splash
11	Fast Color Splash
12	America the Beautiful
13	Fat Tuesday
14	Disco Tech

NOTE: When the light is turned OFF for more than seven (7) seconds, it will remain in the color set that is currently active. When the light is turned back ON, the light will be on the same color set.

7.2 To Reset to the Beginning of the Color Sequence

Turn the light OFF, wait four (4) to six (6) seconds, then turn ON, the light will return to the beginning of the color cycle (Alpine White).

NOTE: If an AquaLink® RS control system is being used the color set can be selected using the controller.

NOTE: To synchronize colors on multiple Jandy WaterColors light systems and Jandy Laminar Jets with LED Lights wired to separate switches, preform the above actions on all of the switches simultaneously. All Jandy WaterColors lights and Jandy Laminar Jet with LED lights will synchronize automatically if activated by the same switch. No other accessories are required.

Section 8. Light Intensity Set Up

8.1 Light Intensity Adjustment Set

NOTE: The LED light intensity can be adjusted to your preference. Increased water stream flow will cause a greater disturbance of the laminar jet stream and create a more intense light.

1. Use the light intensity adjustment screw attached to the scratcher to adjust the light intensity.

2. To increase the light intensity, turn the screw counter-clockwise to increase the water stream coming out of the scratcher. This water stream disturbs the surface of the laminar jet flow causing an increase in the light intensity.

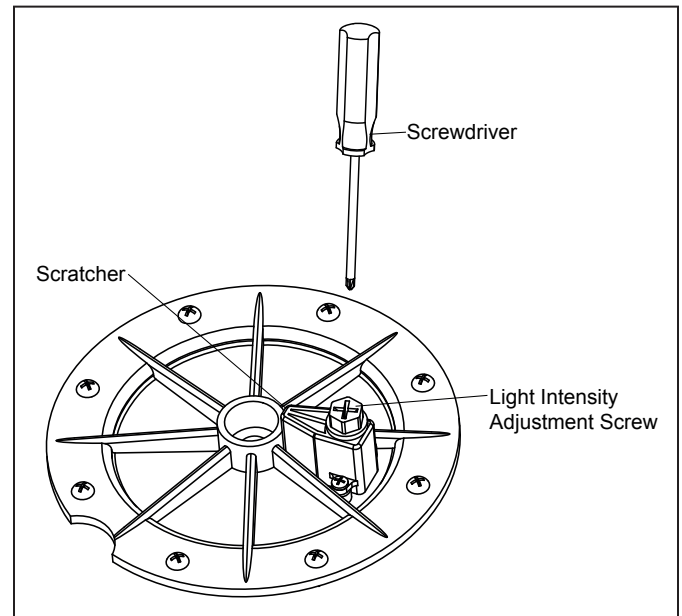


Figure 12. Scratcher Assembly and Light Intensity Adjustment Screw

NOTE: Laminar jets are sensitive to wind, earth movement and equipment vibration. Secure the laminar jet and deck canister to minimize vibration. Periodic stream distortion caused by pump vibrations and motor electrical fluctuations is normal and not indicative of a nozzle defect. Also, occasionally a nozzle will “burp” due to pumped air collecting in the nozzle body. This is normal and will occur until all air is purged from the piping system. Trapped air can also cause slight distortion in water action. It is imperative that all air is removed to ensure proper water feature operation.

Section 9. General Maintenance and Troubleshooting

CAUTION

The light engine assembly in the Jandy Laminar jet is sealed and therefore contains no serviceable parts. In order to prevent risk of property damage and/or injury, no service should be attempted to the light engine assembly in the event of a malfunction. The complete light engine assembly must be replaced.

Perform routine maintenance on the filter to ensure trouble-free nozzle operation. Be careful not to allow debris to enter the inlet plumbing when cleaning filters.

NOTE: Always flush lines after cleaning and backwash of filters.

9.1 Clogged Finger Screen

1. If the finger screen becomes clogged with debris causing the stream to be distorted, remove the laminar jet assembly by unscrewing the two (2) deck canister lid retaining screws.
2. Remove the deck canister lid and the jet assembly and place on the deck. Disconnect the union located on the flexible hose attached to the bottom of the jet assembly.
3. Remove the finger screen from the union and clean with a garden hose.

NOTE: Avoid damage to the nozzle opening. After clean up, reinstall the unions.

9.2 Winterization

The laminar jet can be winterized in regions that require winterization.

1. Remove the deck canister lid assembly and unscrew the ½ inch (13 mm) union.
2. Thread the cap on the flexible hose attached to the deck canister. The laminar jet can then be replaced in the deck canister or may be removed to a storage location. If left in the deck canister, tape over the slot opening to ensure no water will enter the system. If fiber optic cable is used, be sure to remove the retaining nut on the waterproof fitting on the bottom of the jet assembly.

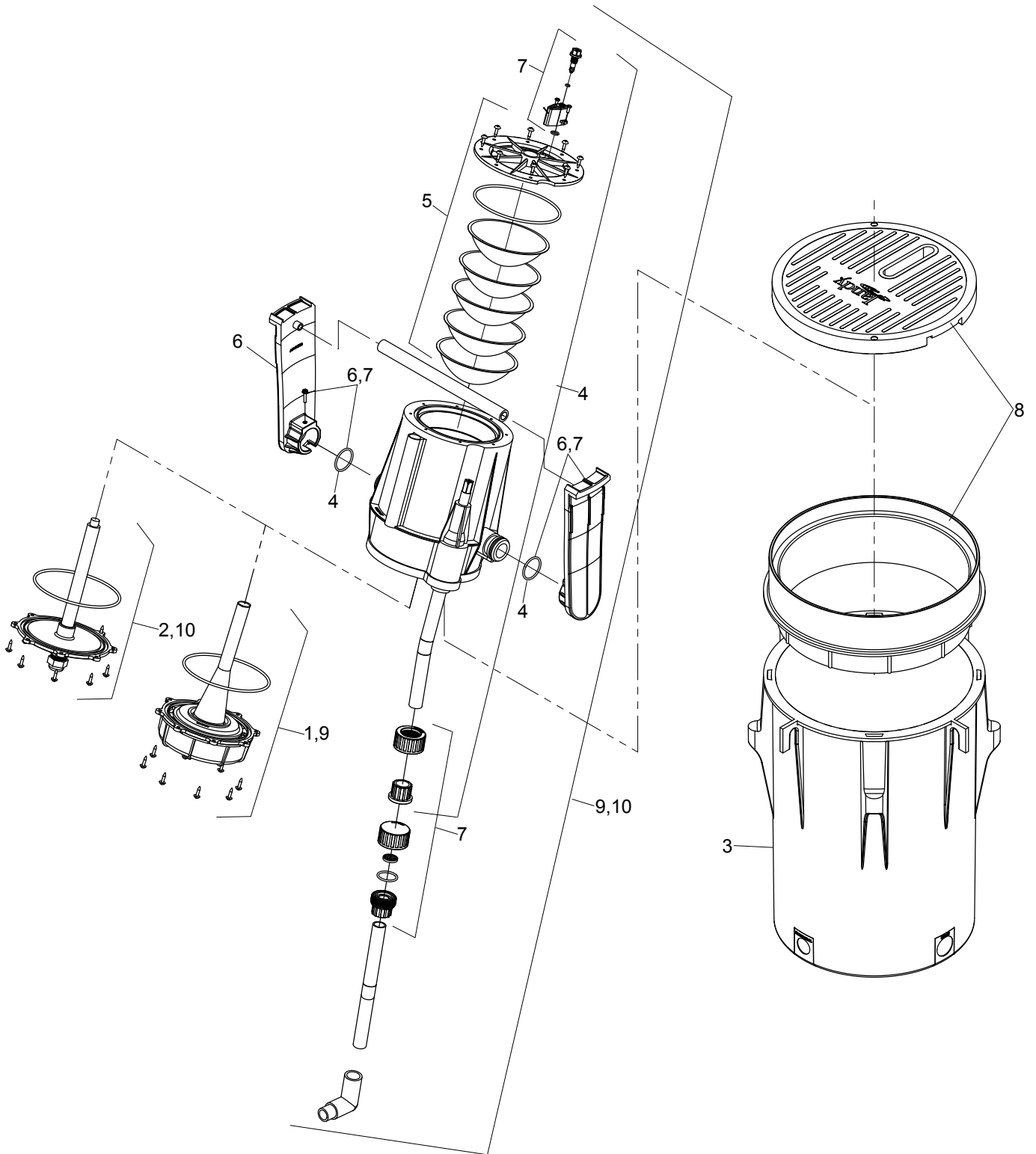
Section 10. Parts List and Exploded View

10.1 Parts List

Key No.	Description	Model	Order Part No.
1	RGBW LED Light Engine Assembly, Laminar Jet	All	R0961200
2	Fiber Optic Assembly, Laminar Jet	All	R0488900
3	Deck Canister, Laminar Jet	All	R0489100
4	Jet Assembly, Laminar Jet (No Light Module)	All	R0489200
5	Cover and Screens (5), Laminar Jet Assembly	All	R0489300
6	Mounting Brackets and Hardware, Laminar Jet	All	R0489500
7	Rebuild Kit, All Hardware, Scratcher, Finger Screen & Unions	All	R0490000
8	Lid and Collar, Pebble, Laminar Jet	All	JLPBL
	Lid and Collar, Pewter, Laminar Jet	All	JLPWTR
9	Laminar Jet with RGBW LED Light Replacement Kit	All	R0960900
10	Laminar Jet with Fiber Optic Retrofit Kit	All	R0500300

NOTE: If the electrical cord of the LED light assembly is damaged, the entire LED light engine assembly (R0960900) must be replaced.

10.2 Exploded View



Zodiac Pool Systems LLC

2882 Whiptail Loop # 100
Carlsbad, CA 92010

Fluidra Group Australia Pty Ltd

219 Woodpark Road
Smithfield, NSW AU 2164

USA | Jandy.com | 1.800.822.7933
AUS | Zodiac.com.au | 1.800.688.552

©2021 Zodiac Pool Systems LLC. All rights reserved. ZODIAC® is a registered trademark of Zodiac International, S.A.S.U., used under license. All other trademarks are the property of their respective owners.

H0771400_REVA



MANUEL D'INSTALLATION ET DE FONCTIONNEMENT

FRANÇAIS



Fontaine Laminar Jandy Série JLLED4C Série JLFBR

AVERTISSEMENT

POUR VOTRE SÉCURITÉ, ce produit doit être installé et entretenu par un entrepreneur qualifié en équipements de piscine disposant d'un permis délivré par la juridiction dans laquelle le produit est installé lorsque de telles exigences étatiques ou locales existent. L'agent d'entretien doit être un professionnel disposant de suffisamment d'expérience dans l'installation et l'entretien de l'équipement de piscine, afin de s'assurer que toutes les directives du présent manuel sont scrupuleusement respectées. Avant d'installer ce produit, lire et suivre tous les avertissements et toutes les directives qui accompagnent ce produit. Tout non-respect des instructions d'avertissement peut entraîner des dommages matériels, des blessures corporelles ou même la mort. Une mauvaise installation ou utilisation annule la garantie.



NE PAS MODIFIER CET ÉQUIPEMENT.

Une mauvaise installation ou utilisation peut engendrer un danger électrique involontaire pouvant entraîner des dommages matériels ou des blessures graves, voire mortelles.

À L'ATTENTION DE L'INSTALLATEUR - Le présent manuel contient des informations importantes sur l'installation, le fonctionnement et l'utilisation sécuritaire de ce produit. Ces informations doivent être transmises au propriétaire ou à l'utilisateur de cet équipement.

Table des matières

Section 1. Informations relatives à la sécurité.....	19	Section 5. Fontaine Laminar avec installation de module à fibre optique (à utiliser avec la série JLFBR) ...	27
Section 2. Exigences générales relatives à l'installation.....	21	5.1 Éléments requis.....	27
2.1 Source d'eau	21	5.2 Installation	27
2.2 Pompe	21	Section 6. Démarrage du système	27
2.3 Tuyauterie	21	6.1 Installer l'ensemble de fontaine	27
2.4 Module d'éclairage à DEL	21	6.2 Configurer la fontaine	28
2.5 Module Conduit/Fibre Optique	21	Section 7. Fonctionnement de la fontaine Laminar avec éclairage DEL.....	29
2.6 Dimensions critiques de placement.....	21	7.1 Pour faire fonctionner l'éclairage et changer les couleurs	29
Section 3. Installation de la cartouche de pont.....	23	7.2 Pour réinitialiser au début de la séquence de couleurs.....	29
3.1 Installation dans le pont.....	23	Section 8. Configuration de l'intensité lumineuse	29
3.2 Installation hors pont/jardinière.....	24	8.1 Réglage de l'intensité lumineuse	29
3.3 Conduites pour test de pression d'eau.....	25	Section 9. Maintenance générale et dépannage.....	30
3.4 Rinçage des conduites d'eau	25	9.1 Crépine bouchée	30
Section 4. Fontaine Laminar avec installation d'éclairage à DEL (à utiliser avec la série JLLED4C)	25	9.2 Hivernage	30
4.1 Préparation pour l'installation de la fontaine Laminar avec éclairage DEL	25	Section 10. Liste des pièces de rechange et vue éclatée	30
4.2 Installation de la fontaine Laminar avec éclairage DEL	25	10.1 Liste des pièces de rechange.....	30
4.3 Options de câblage pour contrôler la fontaine Laminar avec éclairage DEL.....	26	10.2 Vue éclatée.....	31
4.4 Installation du transformateur de douze (12) volts.....	27		

Section 1. Informations relatives à la sécurité

CONSIGNES DE SÉCURITÉ IMPORTANTES CONCERNANT LE RISQUE D'INCENDIE, DE DÉCHARGE ÉLECTRIQUE OU DE BLESSURES CORPORELLES

LIRE ET SUIVRE TOUTES LES DIRECTIVES

Lors de l'installation et de l'utilisation de cet équipement électrique, les consignes de sécurité élémentaires doivent toujours être respectées, notamment les mises en garde suivantes :

⚠ AVERTISSEMENT

RISQUE DE DÉCHARGE ÉLECTRIQUE OU D'ÉLECTROCUTION. Cette fontaine Laminar avec éclairage DEL doit être installée par un électricien agréé ou certifié conformément au Code national de l'électricité® ainsi qu'aux codes et ordonnances locaux en vigueur. Au Canada, le Code canadien de l'électricité, les règlements et les ordonnances doivent être respectés. Une installation inadéquate créera des risques électriques qui pourraient entraîner la mort ou des blessures corporelles graves aux utilisateurs de la piscine ou du spa, aux installateurs ou à d'autres en raison d'une décharge électrique, en plus de causer des dommages à la propriété. Veuillez lire et suivre les instructions précises ci-dessous.

⚠ AVERTISSEMENT

Avant d'installer cette fontaine Laminar avec éclairage DEL, veuillez lire et suivre tous les avertissements et toutes les directives qui accompagnent ce produit. Omettre de suivre les mises en garde et les instructions pourrait entraîner des blessures corporelles graves, la mort ou des dommages à la propriété. Visitez www.jandy.com ou composez (800) 822-7933/ (888) 647-4004 (Canada) pour obtenir des exemplaires gratuits de ces directives.

⚠ AVERTISSEMENT



À L'ATTENTION DE L'INSTALLATEUR : le présent manuel contient d'importantes informations sur l'installation, le fonctionnement et l'utilisation sécuritaires de ce produit. Ces informations doivent être transmises au propriétaire ou à l'utilisateur de cet équipement.

⚠ AVERTISSEMENT



- Ne pas connecter le système à un réseau hydraulique municipal ou à d'autres sources externes d'eau pressurisée produisant des pressions supérieures à 35 PSI.
- L'air coincé dans le système peut causer la projection du couvercle du filtre, entraînant la mort, une blessure corporelle grave ou un dommage matériel. Vous assurer que tout l'air est évacué du système avant d'utiliser ou de tester l'équipement.

⚠ AVERTISSEMENT



Les pressions de fonctionnement maximales des pompes, filtres et autres équipements sont spécifiées dans leurs directives d'installation/d'utilisation respectives. Ne soumettez jamais le système à des pressions d'essai ou de fonctionnement dépassant ces spécifications. Des pressions supérieures aux valeurs nominales de fonctionnement maximales des composants peuvent entraîner une défaillance du produit ou faire sauter le couvercle du filtre, ou provoquer d'autres défaillances de l'équipement pouvant entraîner la mort, des blessures graves ou des dommages matériels.

! AVERTISSEMENT



Pour réduire le risque de blessures graves ou de décès, le filtre et/ou la pompe ne doivent pas être soumis à un test de mise sous pression de la tuyauterie.

Les codes locaux peuvent exiger l'application d'un test de mise sous pression au niveau de la tuyauterie de la piscine. Généralement, ces exigences ne sont pas conçues pour être appliquées à l'équipement de piscine, comme les filtres ou les pompes.

L'équipement de piscine Jandy est soumis à des tests de mise sous pression en usine.

Si toutefois cet AVERTISSEMENT ne peut pas être respecté et que le test de mise sous pression du système de tuyauterie doit inclure le filtre et/ou la pompe, ASSUREZ-VOUS DE RESPECTER LES CONSIGNES DE SÉCURITÉ SUIVANTES :

- Vérifier les serre-joints, les boulons, les couvercles, les anneaux de blocage et les accessoires du système pour s'assurer qu'ils sont correctement installés et fixés solidement avant d'effectuer un test.
- **LIBÉRER TOUT L'AIR** du système avant d'effectuer le test.
- La pression d'eau pour le test NE DOIT PAS EXCÉDER 35 PSI.
- La température de l'eau destinée au test ne doit PAS DÉPASSER 100 °F (38 °C).
- Limiter la durée du test à 24 heures. Après le test, vérifier visuellement le système pour s'assurer qu'il est prêt à fonctionner.

AVIS : ces paramètres s'appliquent à l'équipement Jandy uniquement. Pour tout équipement d'une autre marque que Jandy, consulter le fabricant.

! AVERTISSEMENT

RISQUE DE CHOC ÉLECTRIQUE OU D'ÉLECTROCUTION

pouvant entraîner de grave blessure voire la mort. Un disjoncteur différentiel de fuite à la terre (DDFT) pour les transformateurs de 120 volts devrait être utilisé, si requis par le fabricant du transformateur, par les codes locaux applicables ou par l'autorité compétente. Lorsqu'un DDFT est utilisé, les conducteurs du côté demande du circuit ne doivent pas être installés dans les conduits, boîtes ou enceintes contenant d'autres conducteurs, à moins que les conducteurs supplémentaires soient également protégés par un DDFT. Se reporter aux codes locaux pour plus de détails.

CONSERVER CES DIRECTIVES

Section 2. Exigences générales relatives à l'installation

Ce document procure des directives aux fins de l'installation de fontaine Laminar de Jandy avec éclairage DEL. Lire toutes les directives avant de commencer la procédure d'installation. La fontaine Laminar est conçue pour fournir un jet d'eau clair et réglable qui s'élève haut et sort dans la piscine.

La fontaine Laminar est livrée avec un module d'éclairage LED intégré ou un module à fibre optique qui accepte les fibres optiques lumineuses. Ces sources lumineuses éclairent l'arc d'eau créant un effet nocturne éblouissant. Cette pièce d'eau unique s'installe facilement et plusieurs fontaines peuvent être combinées pour créer un divertissement aquatique spectaculaire.

Pour installer correctement ce produit, veuillez consulter les directives d'installation et d'entretien suivantes.

2.1 Source d'eau

La conduite d'alimentation d'eau de la fontaine Laminar doit être filtrée par une cartouche filtre (ne pas utiliser un filtre à sable). Si un filtre dédié est utilisé, il doit suffire pour au moins 20 pi² (1,85 m²) Pour les installations à plusieurs fontaines, utiliser au moins 100 pi² (9,3 m²), comme le filtre CS100 de Jandy.

2.2 Pompe

Le débit minimum requis pour la pompe de chaque fontaine Laminar est illustré dans le tableau ci-dessous :

	7,5/28	8/30	8,5/32
Gallons (g/m US- l/m)			
Pression d'entrée (psi)	9,5	10,3	11
Hauteur du jet (pi/m)	5/1,5	6/1,8	7/2,1

2.3 Tuyauterie

Chaque fontaine Laminar nécessite une conduite d'alimentation principale en PVC de 38 à 50 mm (1½ à 2 po) avec du PVC de 25 mm (1 po) entrant dans la cartouche de pont. Un clapet anti-retour est également requis et doit être placé aussi loin que possible de la cartouche de pont pour minimiser les turbulences de l'eau.

2.4 Module d'éclairage à DEL

Le module d'éclairage à DEL 12 V offre un éclairage vibrant dans neuf (9) couleurs brillantes et cinq (5) diffusions de couleurs festives qui peuvent être contrôlées manuellement, par le système de contrôle AquaLink® RS (Rev O ou plus récent) ou par le système de contrôle Jandy PDA (Rev 4.0 ou plus récent). Le module d'éclairage peut être synchronisé avec les lumières DEL pour piscine et spa de Jandy et fonctionne avec moins de 25 watts de puissance.

2.5 Module Conduit/Fibre Optique

Si vous installez des fibres optiques, chaque fontaine Laminar nécessitera un câble à fibres optiques de 100 à 150 brins. Un câble à cent cinquante brins est recommandé en raison des effets d'éclairage améliorés.

2.6 Dimensions critiques de placement

La fontaine Laminar peut projeter un maximum de 7 pieds (2,1 m) de haut et 8 pieds (2,4 m) hors de l'eau. Par conséquent, assurez-vous que l'installation n'est pas à plus de 6 pieds (1,8 m) du bord *intérieur* de la piscine.

REMARQUE : Pour éviter d'arroser la terrasse dans les régions venteuses, placer la fontaine Laminar proche du bord de la piscine.

REMARQUE : Le couvercle de la cartouche de pont ne peut pivoter que d'environ 90 degrés vers la gauche ou la droite. Par conséquent, assurez-vous que la cartouche de pont est positionnée vers l'emplacement ciblé (voir Installation de la cartouche de pont) avant de terminer l'installation.

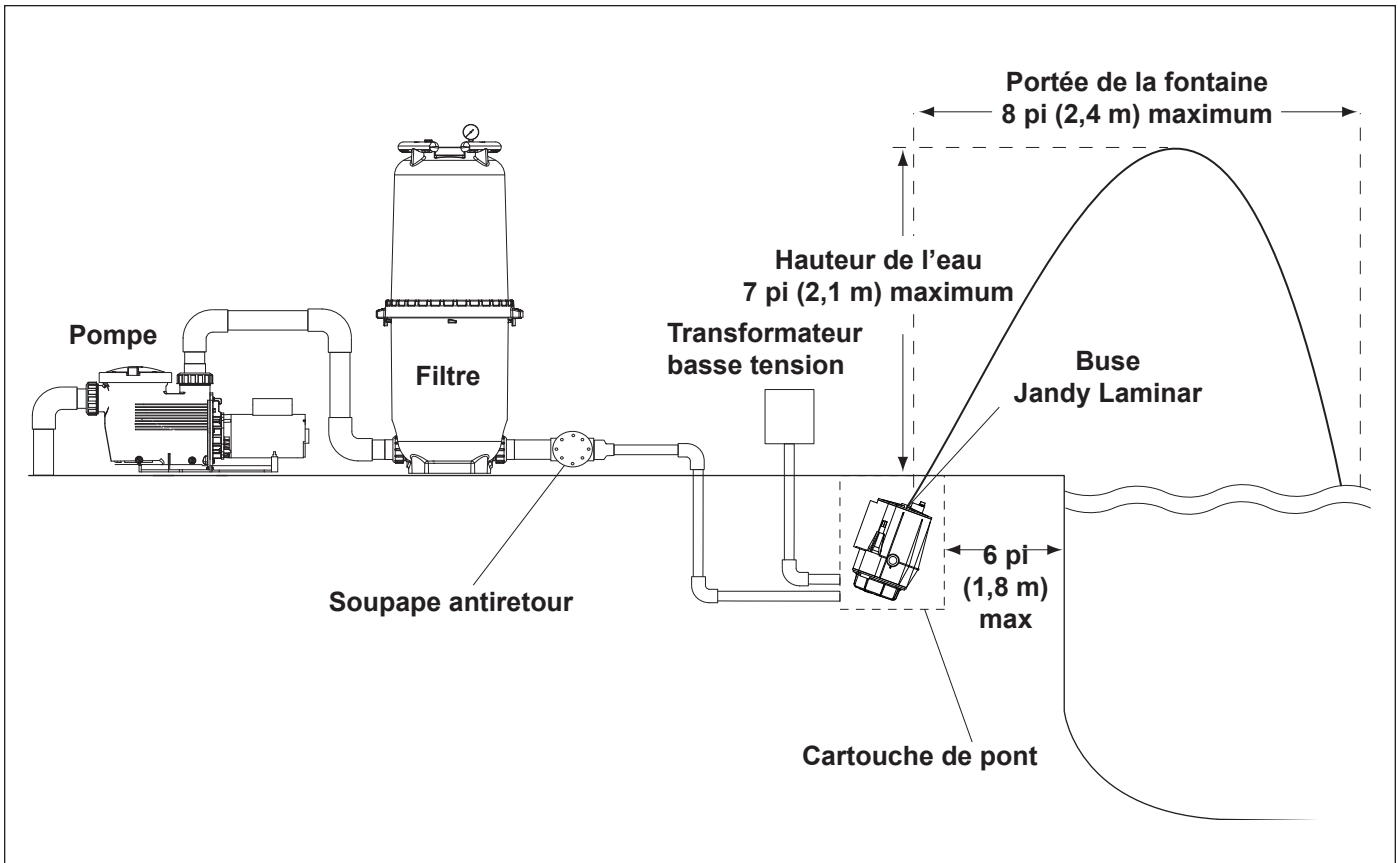


Figure 1. Schéma de plomberie de base pour fontaine Laminar avec cartouche de pont

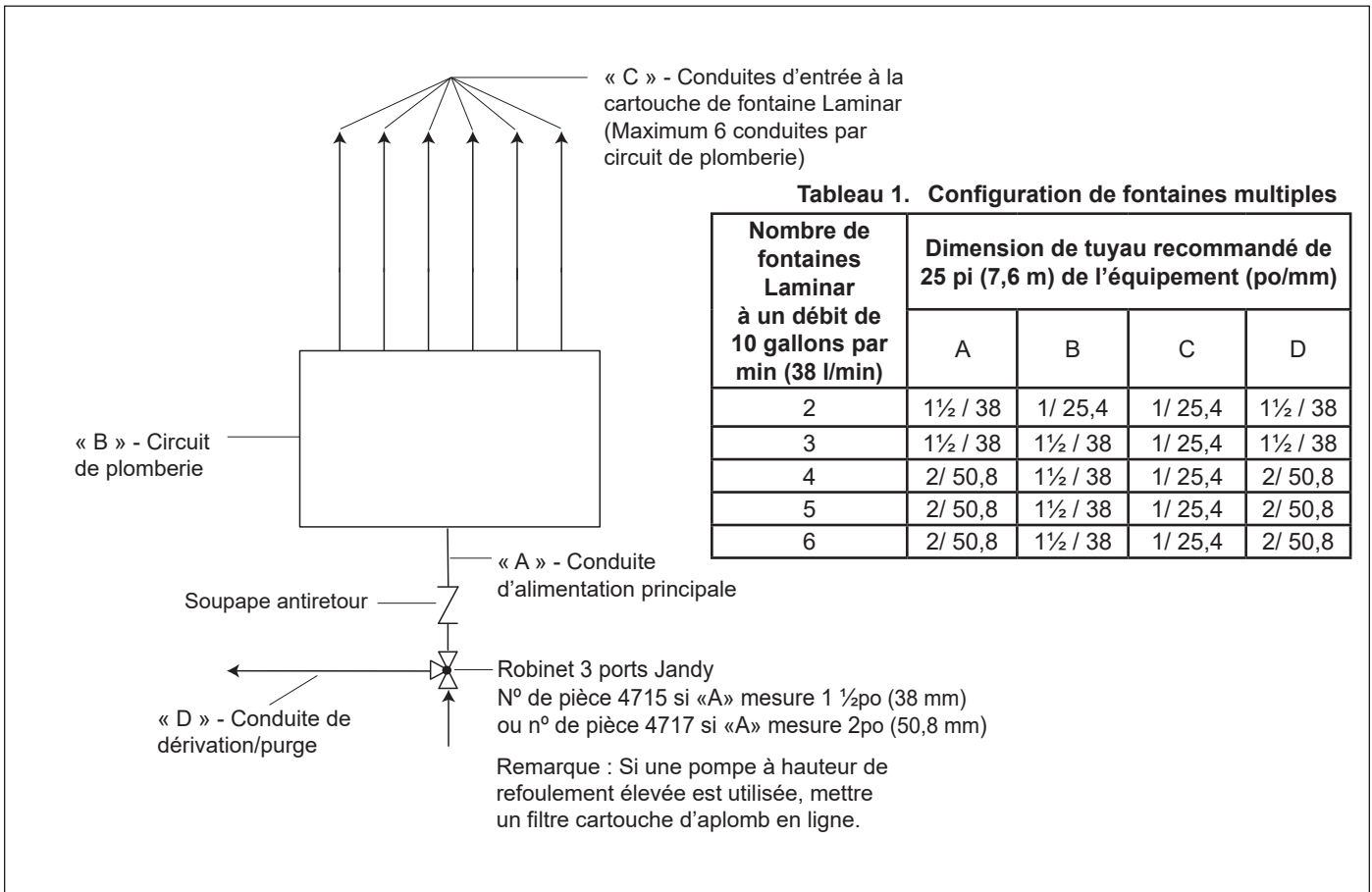


Figure 2. Vue d'une tuyauterie pour plusieurs fontaines Laminar

Section 3. Installation de la cartouche de pont

REMARQUE : Avant d'installer la cartouche de pont Jandy Laminar Jet, localiser l'ouverture de la fontaine (fente) dans le couvercle de la cartouche de pont. S'assurer que cette ouverture pointe vers l'emplacement ciblé dans la piscine. Utiliser le tuyau vertical d'eau comme référence. Déterminer l'orientation de la cartouche de pont permettra également d'établir où placer la plomberie et le conduit de fibre optique.

REMARQUE : Le couvercle de la cartouche de pont ne peut pivoter que d'environ 90 degrés vers la gauche ou la droite. Par conséquent, s'assurer que la cartouche de pont est positionnée vers l'emplacement ciblé avant de terminer l'installation.

3.1 Installation dans le pont

1. Creuser un trou pour la cartouche de pont d'environ 24 pouces de profondeur et 18 pouces de diamètre. Cela garantira suffisamment d'espace pour positionner la cartouche et disposer la plomberie. Cette profondeur permet également l'ajout d'une couche de gravier d'environ 1/8 à 1/4 po (3 à 6 mm), pour plus de stabilité et un drainage supplémentaire. Se reporter aux dimensions de la cartouche de pont.

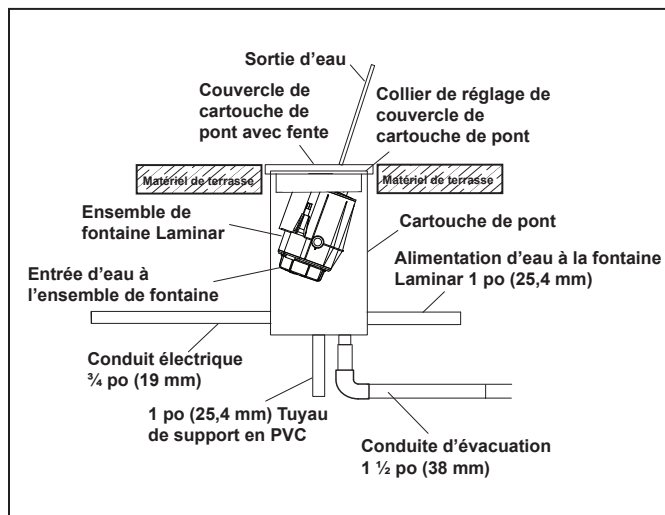


Figure 3. Diagramme de la cartouche de pont de la fontaine Laminar

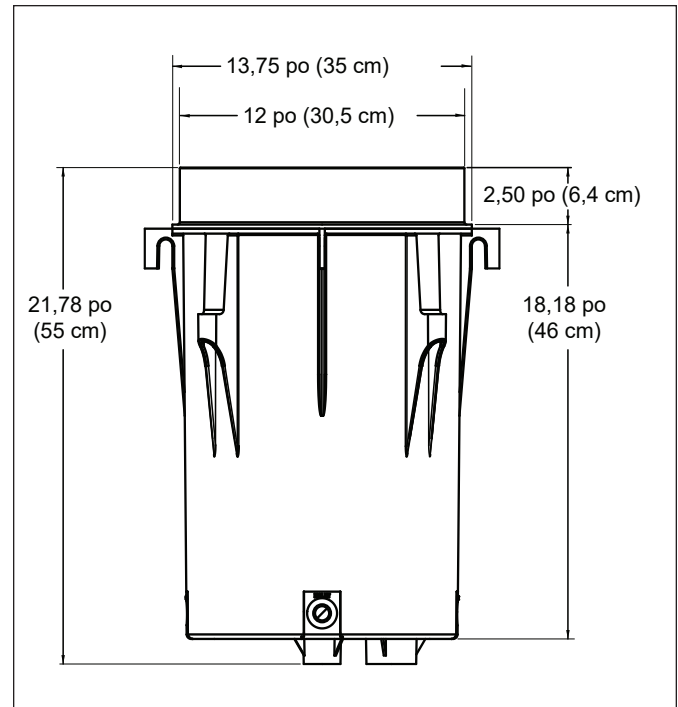


Figure 4. Dimensions de la cartouche de pont

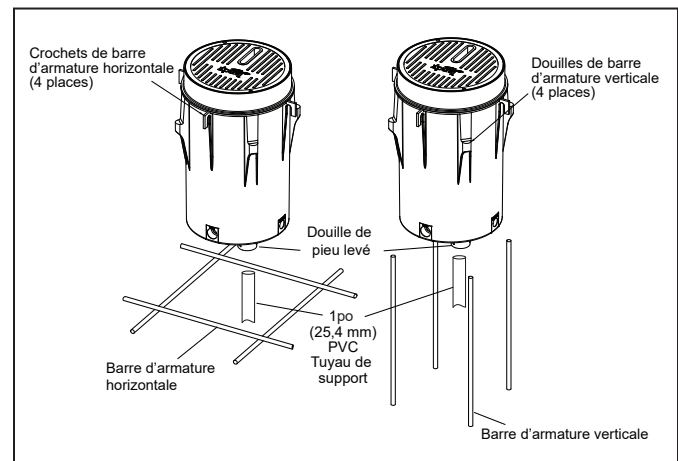


Figure 5. Crochets et douilles pour barre d'armature de pont

2. Poser la cartouche de pont dans le trou. Le bord supérieur du couvercle/collier devrait être à fleur du pont fini, après avoir versé le matériau du pont.

REMARQUE : Pour s'assurer que la cartouche reste droite lors de l'installation et de la mise à niveau de l'unité, placer un morceau de 6 pouces (15 cm) de tuyau en PVC de 1 pouce (25,4 mm) dans la douille d'ancrage du support de construction située au bas de la cartouche.

3. Mettre la cartouche de pont de niveau. Pour maintenir la cartouche en place pendant que le pont est coulé, fixer la cartouche en l'attachant avec un fil d'attache au cadre en acier du pont. Pour installer de niveau, des crochets pour barres d'armature horizontales et des douilles pour barres d'armature verticales sont fournis autour de l'extérieur de la cartouche.

4. Raccorder l'alimentation en eau filtrée entrante au moyeu de 1 pouce (25,4 mm) situé sur le côté du réservoir de pont marqué « Inlet ». L'alimentation en eau filtrée doit comprendre un clapet anti-retour.
5. Brancher le conduit du câble à fibre DEL à la prise de 3/4 po (19 mm) située de chaque côté de la cartouche de pont marquée « Electrical ». Se reporter aux instructions d'installation de la fibre optique.

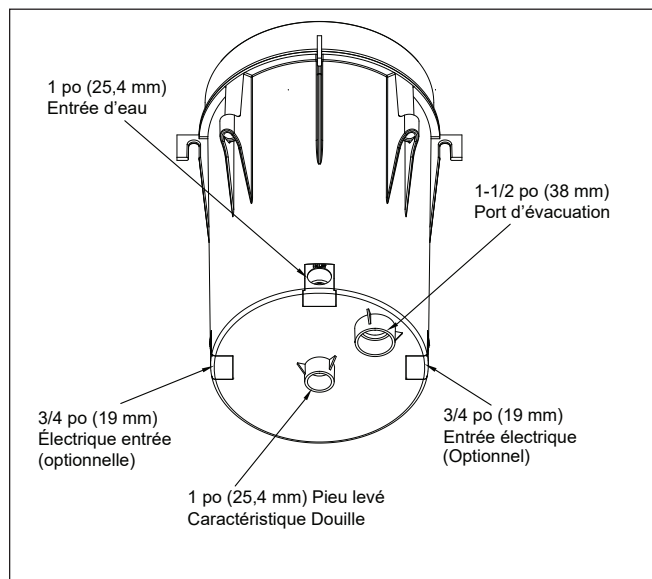


Figure 6. Cartouche de pont - vue depuis le fond

REMARQUE : Utiliser une (1) des deux (2) entrées électriques, situées de chaque côté de la boîte métallique du pont, qui sont fournies pour faciliter l'installation.

6. Raccorder la conduite de vidange de 38 mm (1 1/2 po). Un drainage adéquat doit être prévu pour la cartouche de pont.

REMARQUE : Un drainage adéquat de la cartouche de pont est essentiel pour éviter d'endommager l'ensemble de la fontaine Laminar.

7. Vérifier que la cartouche de pont est de niveau.
8. Replacer le collier réglable du couvercle de pont sur la cartouche. Ce collier permet à l'installateur d'effectuer des ajustements précis lors de la mise à niveau de la cartouche pour qu'elle affleure la surface finie du pont. Placer le collier au niveau du pont fini et verser le matériau du pont.

3.2 Installation hors pont/jardinière

⚠ MISE EN GARDE

Ne pas installer la cartouche de pont de la fontaine Laminar Jandy dans une zone sujette au ruissellement ou aux inondations ni sur une surface inflammable.

REMARQUE : Le couvercle de la cartouche de pont ne peut pivoter que d'environ 90 degrés vers la gauche ou la droite. Par conséquent, s'assurer que la cartouche de pont est positionnée vers l'emplacement ciblé avant de terminer l'installation.

1. Creuser un trou pour la cartouche de pont d'environ 24 pouces de profond et 18 pouces de diamètre (60 cm profond, 45 cm diamètre). Cela garantira suffisamment d'espace pour positionner la cartouche et disposer la plomberie. Les dimensions permettent l'ajout d'une couche de gravier d'environ 1/8 à 1/4 po (3 à 6 mm), pour le drainage, donne aussi de la place pour couler du béton autour de l'extérieur de la cartouche pour plus de stabilité.

REMARQUE : Un drainage adéquat de la cartouche de pont est essentiel pour éviter d'endommager l'ensemble de la fontaine Laminar.

2. Soulever le couvercle et l'ensemble de la fontaine ainsi que le collier du couvercle du pont réglable de la cartouche de pont.

REMARQUE : Pour s'assurer que la cartouche reste droite lors de l'installation et de la mise à niveau de l'appareil, placer un tuyau en PVC de 6 pouces (15 cm) de longueur de 1 pouce (25,4 mm) dans la douille d'ancrage située au bas de la cartouche.

3. Poser la cartouche de pont dans le trou. La cartouche devrait être à environ 1 1/2 à 2 pouces (38 à 50 cm) *au-dessus* du niveau de la jardinière.

REMARQUE : Contrairement à l'installation dans le pont, le couvercle de la cartouche du pont ne peut pas affleurer le niveau fini. Il doit reposer légèrement au-dessus de la surface pour empêcher l'eau et les débris de s'infiltrer dans la cartouche.

4. Mettre la cartouche de pont de niveau. Pour tenir la cartouche en place, placer un morceau de 6 pouces (15 cm) de tuyau en PVC de 1 pouce (25,4 cm) dans la douille de soutien de construction au fond de la cartouche.
5. Raccorder l'entrée de l'alimentation d'eau filtrée marquée « Inlet » à un moyeu de 1 pouce (25,4 mm) au fond de la cartouche de pont. L'alimentation en eau filtrée doit comprendre un clapet anti-retour.
6. Raccorder la conduite pour le câble en fibre/DEL à un moyeu de 1 pouce (25,4 mm) au fond de la cartouche de pont marqué « Electrical ». Se reporter aux instructions d'installation de la fibre optique.
7. Raccorder dans la conduite du drain de 1 1/2 pouce (38 mm) au fond de la cartouche de pont. Un drainage adéquat doit être fourni pour la cartouche.
8. Remplir le trou entourant la cartouche de pont de béton ou d'un matériau de remplissage convenable en fonction de la stabilité du sol.
9. Replacer le collier réglable du couvercle de pont sur la cartouche.

3.3 Conduites pour test de pression d'eau

AVERTISSEMENT

Les pressions de fonctionnement maximales des pompes, filtres et autres équipements sont spécifiées dans leurs directives d'installation/d'utilisation respectives. Ne jamais soumettre jamais le système à des tests ou à des pressions de fonctionnement dépassant ces spécifications. Des pressions supérieures aux valeurs nominales de fonctionnement maximales des composants peuvent entraîner une défaillance du produit, ou également faire sauter le couvercle du filtre, ou causer d'autres défaillances de l'équipement pouvant entraîner la mort, des blessures graves ou des dommages matériels.

L'appareil est livré prêt pour le test de pression avec capuchon sur le flexible fixé à la cartouche.

REMARQUE : Ce capuchon peut être utilisé pour hiverner le système ou entretenir l'appareil, au besoin.

Lors des tests de pression hydrostatique ou des tests d'étanchéité externes du système de filtration et de plomberie complet, s'assurer que la pression maximale à laquelle le système de filtration est soumis ne dépasse pas la pression de service maximale de l'un des composants du système.

3.4 Rinçage des conduites d'eau

Il est important qu'avant de réinstaller la fontaine Laminar et le couvercle de la cartouche de pont, l'installateur ouvre la source d'eau et vide les conduites de tout débris.

REMARQUE : La crépine est installée dans le raccord sous le capuchon. Retirer la crépine lors du rinçage de la conduite et réinstaller la crépine lors de la réinstallation du capuchon ou de l'ensemble de fontaine.

Section 4. Fontaine Laminar avec installation d'éclairage à DEL (à utiliser

avec la série JLLED4C)

AVERTISSEMENT

Risque de choc électrique ou d'électrocution pouvant entraîner de graves blessures voire la mort. Les fontaines Laminar Jandy ne sont disponibles que pour une alimentation c.a. de 12 volts. Pour le raccordement à l'alimentation, utilisez uniquement une alimentation électrique basse tension d'isolement avec une sortie non mise à la terre, répertoriée par un NRTL pour une utilisation en piscine. Un disjoncteur différentiel de fuite à la terre (DDFT) pour les transformateurs de 120 volts devrait être utilisé, si requis par le fabricant du transformateur, par les codes locaux applicables ou par l'autorité compétente. Lorsqu'un DDFT est utilisé, les conducteurs du côté demande du circuit ne doivent pas être installés dans les conduits, boîtes ou enceintes contenant d'autres conducteurs, à moins que les conducteurs supplémentaires soient également protégés par un DDFT. Se reporter aux codes locaux pour plus de détails. Cette fontaine Laminar avec éclairage DEL doit être installée par un électricien agréé ou certifié ou un technicien de piscine qualifié conformément au Code national de l'électricité et à tous les codes et ordonnances locaux applicables. Une installation inadéquate générera des risques électriques qui pourraient entraîner la mort ou des blessures corporelles graves aux utilisateurs de la piscine ou du spa, aux installateurs ou à d'autres en raison d'une décharge électrique, en plus de causer des dommages à la propriété.

AVERTISSEMENT

Toujours débrancher l'alimentation à la fontaine Laminar avec éclairage DEL du disjoncteur avant d'installer ou de réparer l'éclairage. Omettre de le faire pourrait entraîner la mort ou des blessures corporelles graves à la personne qui en fait l'entretien, aux utilisateurs de la piscine ou du spa ou à d'autres en raison d'une décharge électrique.

4.1 Préparation pour l'installation de la fontaine Laminar avec éclairage DEL

REMARQUE : L'électricien doit effectuer les étapes préparatoires avant l'installation de la fontaine Laminar avec éclairage DEL.

S'assurer que la piscine répond aux exigences du Code national de l'électricité en vigueur et de tous les codes et ordonnances locaux. Un électricien agréé ou certifié doit installer le système électrique pour satisfaire ou dépasser ces exigences avant d'installer la fontaine Laminar avec éclairage DEL. Certaines des exigences du Code national de l'électricité auxquelles les systèmes électriques des piscines doivent répondre sont les suivantes :

1. Le transformateur basse tension doit être situé à au moins 8 pouces (20 cm) au-dessus du niveau de l'eau, à au moins 4 pouces (10 cm) au-dessus du niveau du sol et à au moins 4 pieds (1,2 m) du bord de la piscine.
2. Tous les objets métalliques à moins de 5 pieds (1,5 m) de la piscine doivent être reliés électriquement à un point fiable de mise à la terre de manière sûre.

4.2 Installation de la fontaine Laminar avec éclairage DEL

REMARQUE : Ne pas exécuter ces étapes tant que les exigences du système électrique ne sont pas satisfaites.

1. Faire passer le cordon dans le conduit jusqu'au transformateur basse tension, en laissant au moins 4 pieds de cordon au luminaire à enrouler dans la cartouche du pont. Les 4 pieds (1,2 m) de cordon facilitent l'entretien du luminaire.
2. Couper le cordon au niveau du transformateur basse tension, en laissant au moins 6 pouces (15 cm) de cordon pour effectuer les connexions.
3. Dénuder 6 pouces (15 cm) de la gaine extérieure du cordon pour exposer les trois (3) fils isolés. *Veiller à ne pas endommager l'isolation sur les trois (3) fils intérieurs.*
4. Installer le réducteur de tension sur la gaine du cordon et connecter les trois (3) fils aux fils du circuit correspondants dans le transformateur basse tension. Installer le couvercle du transformateur basse tension.
5. Allumer l'interrupteur principal ou le disjoncteur et l'interrupteur, qui actionne la fontaine Laminar avec éclairage DEL, pour vérifier le bon fonctionnement. Se reporter aux instructions d'utilisation.

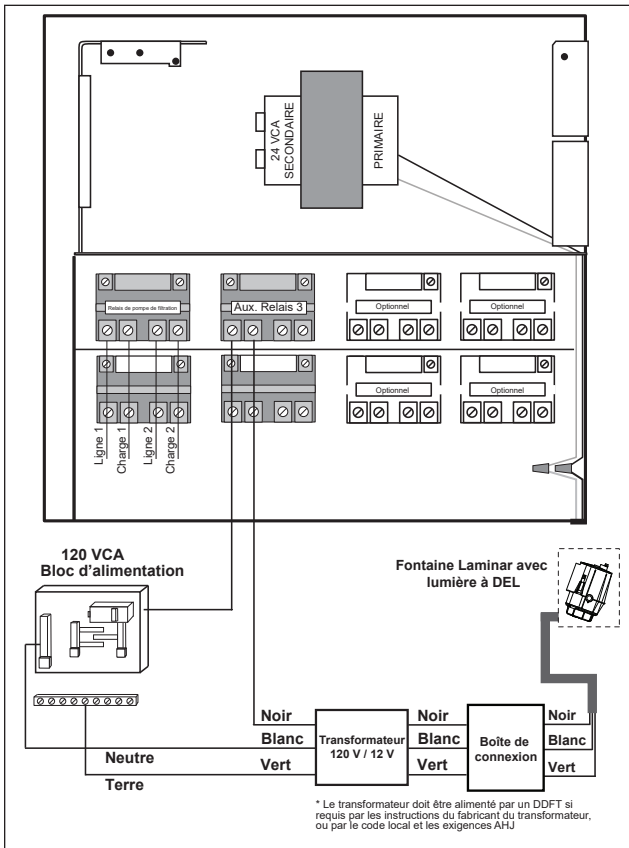


Figure 7. Schéma de câblage pour fontaine Laminar 12 volts avec éclairage DEL

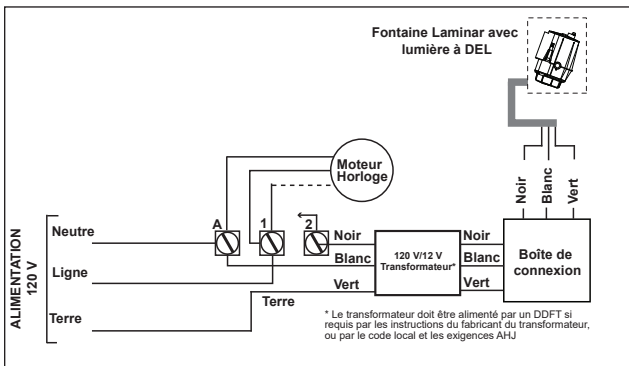


Figure 8. Câbler la fontaine Laminar avec éclairage DEL à l'horloge

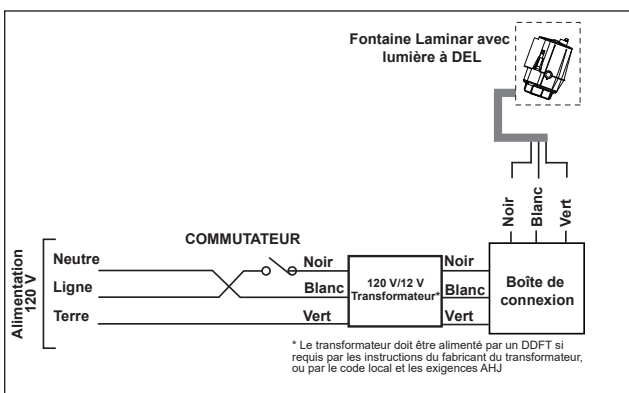


Figure 9. Câbler la fontaine Laminar avec éclairage DEL à l'interrupteur

4.3 Options de câblage pour contrôler la fontaine Laminar avec éclairage DEL

REMARQUE : La fontaine Laminar avec éclairage DEL ne fonctionnera pas correctement avec les variateurs de lumière. Ne pas câbler la fontaine Laminar avec des éclairage DEL à un circuit de gradation.

Dans la mesure permise par le code et la capacité de l'équipement électrique, plusieurs fontaines Laminar avec éclairage DEL peuvent être contrôlées avec un seul interrupteur afin que leurs couleurs soient *toujours* synchronisées.

Des interrupteurs séparés peuvent être utilisés pour contrôler les fonctions marche/arrêt et couleur de chaque fontaine Laminar avec éclairage DEL. Il est recommandé que ces interrupteurs soient placés l'un à côté de l'autre pour faciliter la synchronisation simple des couleurs lorsque souhaité. Tous les interrupteurs doivent être actionnés en même temps pour assurer la synchronisation des couleurs. Sinon, les lumières fonctionneront indépendamment les unes des autres.

4.3.1 Câblage à un système de commande AquaLink® RS

La fontaine Laminar avec éclairage DEL peut être connectée au système de commande Jandy AquaLink RS pour simplifier le fonctionnement de l'éclairage, ainsi qu'à fournir un moyen de synchroniser la fonction de changement de couleur. Connecter la fontaine Laminar avec éclairage DEL à l'un des relais auxiliaires du centre d'alimentation.

REMARQUE : Il est recommandé de connecter une (1) fontaine Laminar avec éclairage DEL par relais afin que chaque lumière puisse être contrôlée séparément. Cependant, jusqu'à quatre (4) fontaines Laminar avec éclairage DEL peuvent être connectées sur un seul relais. S'il y a plus de quatre (4) lumières installées sur un (1) système AquaLink RS, s'assurer qu'il y a plus d'un (1) relais auxiliaire disponible dans le centre d'alimentation.

Connecter la fontaine Laminar avec éclairage DEL au centre d'alimentation.

REMARQUE : La fontaine Laminar avec éclairage DEL fonctionne uniquement sur 12 volts c.a. Un transformateur c.a. abaisseur 120 volts/12 volts approprié DOIT être utilisé. Lire la suite pour obtenir davantage d'information importante.

4.3.2 Câblage à une horloge

La fontaine Laminar avec éclairage DEL peut être connectée à une horloge de base pour allumer automatiquement la fontaine Laminar avec éclairage DEL à une heure déterminée. Connecter la fontaine Laminar avec éclairage DEL à l'horloge.

4.3.3 Câblage à un interrupteur

La fontaine Laminar avec éclairage DEL peut être connectée à un interrupteur pour allumer/éteindre manuellement les lumières. Brancher la fontaine Laminar avec DEL dans l'interrupteur.

4.4 Installation du transformateur de douze (12) volts

La fontaine Laminar avec éclairage DEL nécessite l'utilisation d'un transformateur d'éclairage basse tension 120/12 V c.a. 100 watts.

REMARQUE : Pour des performances optimales, Zodiac Pool Systems, Inc. recommande d'utiliser un transformateur par fontaine Laminar de 12 volts. Cependant, il est possible d'alimenter jusqu'à 4 fontaines Laminar avec un seul transformateur de 200 watts.

Pour assurer une sécurité maximale, le transformateur utilisé pour alimenter la fontaine Laminar avec éclairage DEL doit être celui qui est répertorié par un laboratoire d'essais reconnu au niveau national (NRTL) pour l'application.

REMARQUE : Si la piscine dispose déjà d'un transformateur basse tension alimentant les lumières de la piscine et/ou du spa, ne pas utiliser le même transformateur pour alimenter la fontaine Laminar avec des lumières DEL. Cela permet de s'assurer que les lumières DEL de la fontaine Laminar ne s'allument que lorsque la pompe de la fontaine Laminar est en marche.

Section 5. Fontaine Laminar avec installation de module à fibre optique (à utiliser avec la série JLFBR)

5.1 Éléments requis

Les outils et fournitures nécessaires à l'installation du module fibre optique :

Outils	Couteau tout usage ou couteau chaud; pistolet à air chaud ou chalumeau au propane.
Câble	Chaque fontaine nécessite 100 à 150 brins de câble à fibre optique. Ne pas utiliser plus de 40 pieds (12 m) de câble par buse, car le flux lumineux sera diminué.
Illuminateur	Utilisez un illuminateur avec une capacité suffisante d'effet d'éclairage prévu.
Autres matériaux	Ruban électrique; silicium (RTV)

5.2 Installation

1. Retirer 6 pouces (15 cm) de la gaine du câble.
2. À l'aide de ruban électrique noir, coller fermement la fibre exposée en laissant environ ½ po (13 mm) de fibre exposée à l'extrémité du câble. Le ruban empêche les fibres individuelles de se séparer.
3. Avec un couteau chaud, couper le câble à fibre optique de manière à ce que l'extrémité du câble soit une surface plane. Pour de meilleurs résultats, chauffer le couteau au rouge vif.

REMARQUE : Ne pas couper les extrémités des fibres trop près du bord collé. Laisser une distance de ¼ de pouce (6 mm) entre l'extrémité du câble et l'extrémité du bord collé. Cela empêchera l'adhésif sur le ruban de fondre et d'atteindre les extrémités des brins de fibre optique.

4. Faire glisser le câble à fibre optique terminé à travers le raccord étanche Heyco®* et le long du tube (situé au bas de la fontaine) jusqu'à ce que le câble touche le fond de la lentille à l'intérieur de l'appareil. Fixer la fibre en serrant le raccord étanche.

*Heyco est une marque déposée de Heyco Products, Inc.

REMARQUE : Prévoir au moins quatre (4) pieds (1,2 m) de câble à fibre optique supplémentaire dans la cartouche de pont pour permettre de retirer facilement la fontaine Laminar.

5. Remplir le conduit électrique entre l'ouverture et le câble à fibre optique avec du silicone RTV pour empêcher l'eau de pénétrer dans le conduit. Laisser sécher. L'appareil est maintenant prêt à fonctionner.
6. Installer l'illuminateur et fixer le câble à fibre optique conformément aux instructions fournies avec l'illuminateur.

Section 6. Démarrage du système

6.1 Installer l'ensemble de fontaine

1. Retirer le capuchon de pression qui est installé sur le tuyau flexible en PVC.

REMARQUE : Le système doit être testé sous pression avant de le démarrer.

2. Rincer les conduites d'eau pour éliminer les débris. Les conduites doivent être exemptes de débris avant de fixer l'ensemble à fontaine Laminar.

REMARQUE : La crépine est installée dans le raccord sous le capuchon. Retirer le tamis à doigt lors du rinçage de la conduite et réinstaller le tamis avant d'installer l'ensemble à fontaine Laminar.

3. Raccorder l'écrou sur le tuyau flexible de l'ensemble à fontaine Laminar et le raccord fileté du tuyau flexible attaché à la cartouche de pont de la fontaine.

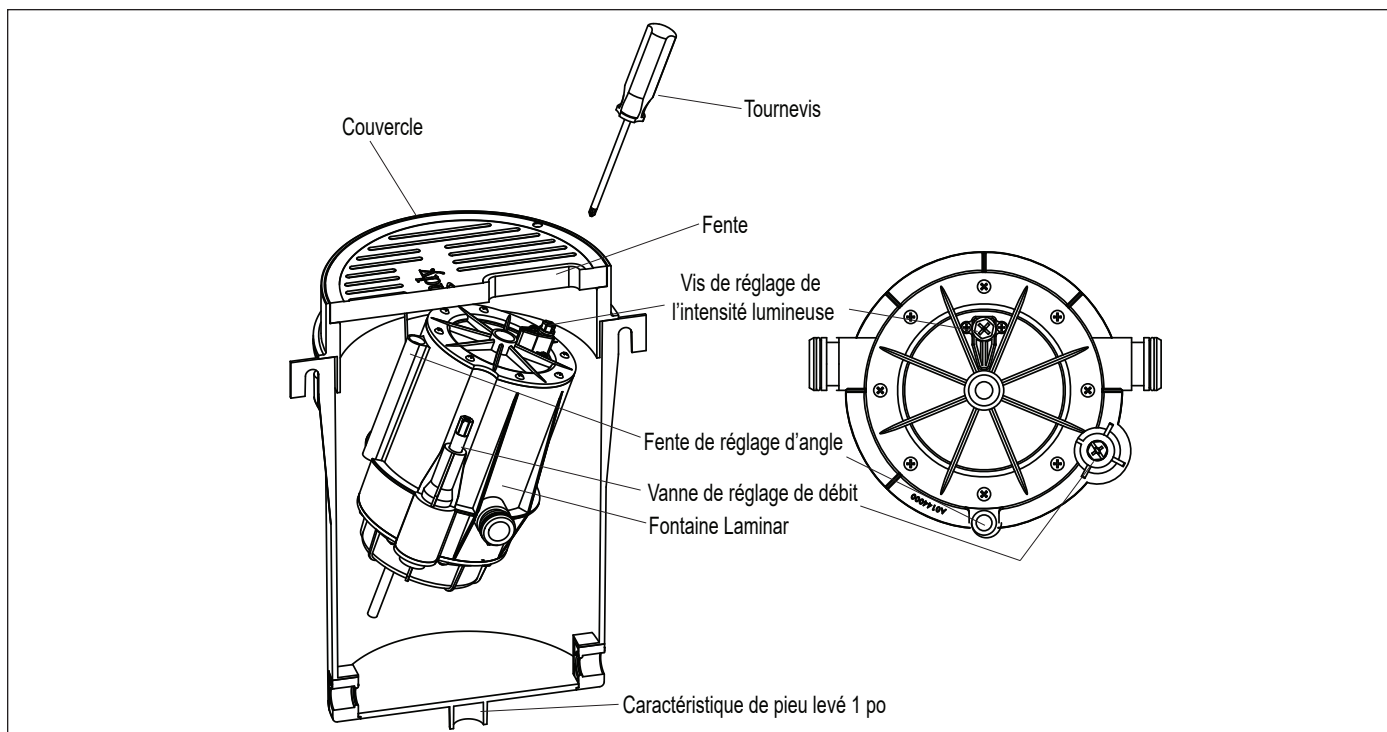


Figure 10. Réglage éclairage et débit fontaine Laminar

6.2 Configurer la fontaine

1. Placer l'ensemble de la fontaine dans la cartouche et aligner les supports de montage sur le collier.
2. S'assurer que la vanne de réglage du débit est ouverte en la tournant dans le sens inverse des aiguilles d'une montre jusqu'à ce qu'elle s'arrête avec un tournevis ou une clé à douille 1/2 po (12,7 mm).
3. Ouvrir l'eau à un taux réduit et remplir lentement l'appareil. Lorsque l'appareil est rempli, augmenter l'alimentation en eau jusqu'à ce que le débit atteigne sa cible.
4. Utiliser la vanne de réglage du débit pour effectuer les derniers réglages de la hauteur de projection de l'eau des fontaines.

REMARQUE : Les fontaines Laminar sont sensibles au vent, au mouvement de la terre et aux vibrations des équipements. Fixer la fontaine Laminar et la cartouche de pont pour minimiser les vibrations. La distorsion périodique du flux causée par les vibrations de la pompe et les fluctuations électriques du moteur est normale et n'indique pas un défaut de la buse. De plus, occasionnellement, une buse « rotera » en raison de l'air pompé qui s'accumule dans le corps de la buse. Ceci est normal et se produira jusqu'à ce que tout l'air soit purgé de la tuyauterie du système. L'air emprisonné peut également provoquer une légère distorsion de l'action de l'eau. Il est impératif que tout l'air soit éliminé pour assurer le bon fonctionnement de la fontaine.

5. Pour régler l'angle du jet, déplacer la fontaine Laminar vers le haut ou vers le bas pour augmenter ou diminuer l'angle à la main ou à l'aide d'un tournevis dans la fente de réglage de l'angle.

REMARQUE : L'angle peut être réglé d'environ 10°.

6. La fontaine Laminar est installée sur deux (2) pivots. Desserrer les vis de blocage pour régler l'angle du jet. Lorsque satisfait de l'angle et de l'emplacement du jet, serrer les vis de blocage.
7. Fixer le couvercle de la cartouche de pont à son collier à l'aide de deux (2) vis cruciformes en acier inoxydable à tête plate n° 10 x 38 mm (1½ po).

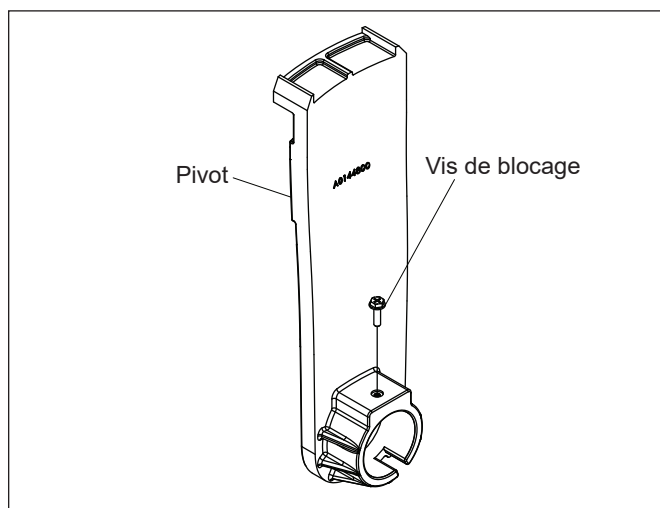


Figure 11. Emplacement de la vis de blocage

REMARQUE : Il est recommandé de percer des avant-trous de 1/8 po (3 mm) dans le couvercle. Ensuite, les vis peuvent être vissées dans les trous. Cela terminera l'installation et empêchera la fontaine de bouger.

Section 7. Fonctionnement de la fontaine Laminar avec éclairage DEL

7.1 Pour faire fonctionner l'éclairage et changer les couleurs

Allumer l'éclairage. La première fois que l'éclairage est allumé, la séquence de couleurs commence par le blanc alpin. Pour changer la couleur, éteindre l'éclairage puis le rallumer dans les trois (3) secondes. Continuer à éteindre et allumer jusqu'à ce que le mode de couleur de l'éclairage souhaité soit atteint.

Tableau 2. Fontaine Laminar Jandy avec séquence d'éclairage DEL

Ordre de la séquence	Modes de couleur
1	Blanc alpin
2	Bleu ciel
3	Bleu cobalt
4	Bleu Caraïbes
5	Vert printemps
6	Vert émeraude
7	Rose émeraude
8	Magenta
9	Violet
10	Éclaboussure de couleurs lente
11	Éclaboussure de couleurs rapide
12	L'Amérique la belle
13	Mardi gras
14	Disco tech

REMARQUE : Lorsque l'éclairage est éteint pendant plus de sept (7) secondes, il conservera en mémoire le jeu de couleurs actuellement actif. Lorsqu'il est rallumé, l'éclairage sera sur la même couleur.

7.2 Pour réinitialiser au début de la séquence de couleurs

Éteindre l'éclairage, attendre quatre (4) à six (6) secondes, puis rallumer, l'éclairage reviendra au début du cycle de couleurs (Blanc alpin).

REMARQUE : Si un système de commande AquaLink® RS est utilisé, le jeu de couleur peut être sélectionné depuis la commande.

REMARQUE : Afin de synchroniser les couleurs sur plusieurs systèmes d'éclairage Jandy WaterColors et des fontaines Laminar Jandy avec éclairage DEL câblées à des interrupteurs séparés, effectuer les actions ci-dessus sur tous les interrupteurs simultanément. Toutes les lumières Jandy WaterColors et les fontaines Laminar Jandy avec éclairage DEL se synchroniseront automatiquement si elles sont activées par le même interrupteur. Aucun autre accessoire n'est requis.

Section 8. Configuration de l'intensité lumineuse

8.1 Réglage de l'intensité lumineuse

REMARQUE : L'intensité de l'éclairage DEL peut être ajusté selon les préférences. L'augmentation du débit d'eau provoquera une plus grande perturbation de la fontaine Laminar et créera un éclairage plus intense.

1. Utiliser la vis de réglage de l'intensité lumineuse fixée au grattoir pour régler l'intensité lumineuse.
2. Pour augmenter l'intensité lumineuse, tourner la vis dans le sens inverse des aiguilles d'une montre pour augmenter le jet d'eau sortant du grattoir. Ce courant d'eau perturbe la surface de l'écoulement de la fontaine Laminar provoquant une augmentation de l'intensité lumineuse.

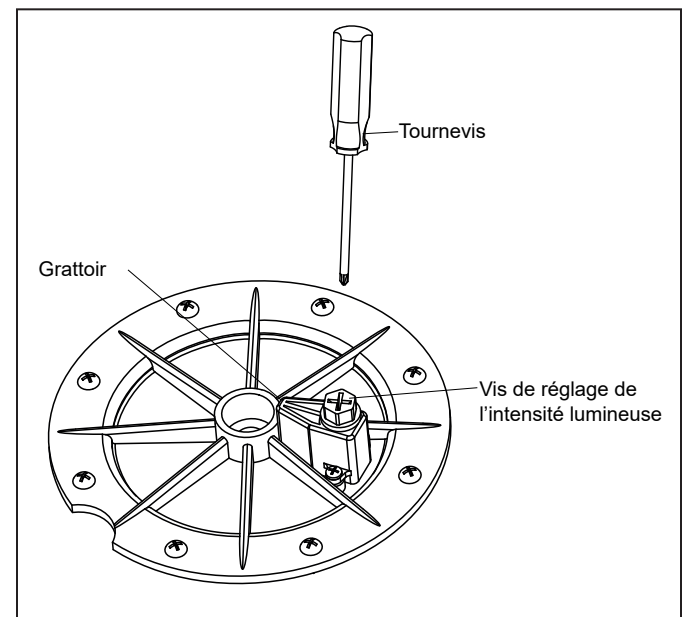


Figure 12. Ensemble grattoir et vis de réglage de l'intensité lumineuse

REMARQUE : Les fontaines Laminar sont sensibles au vent, au mouvement de la terre et aux vibrations des équipements. Fixer la fontaine Laminar et la cartouche de pont pour minimiser les vibrations. La distorsion périodique du flux causée par les vibrations de la pompe et les fluctuations électriques du moteur est normale et n'indique pas un défaut de la buse. De plus, occasionnellement, une buse « rotera » en raison de l'air pompé qui s'accumule dans le corps de la buse. Ceci est normal et se produira jusqu'à ce que tout l'air soit purgé de la tuyauterie du système. L'air emprisonné peut également provoquer une légère distorsion de l'action de l'eau. Il est impératif que tout l'air soit éliminé pour assurer le bon fonctionnement de la fontaine.

Section 9. Maintenance générale et dépannage

MISE EN GARDE

L'ensemble de moteur léger de la fontaine Laminar Jandy est scellé et ne contient donc aucune pièce réparable. Afin d'éviter tout risque de dommages matériels et/ou de blessures, aucun entretien ne doit être tenté sur l'ensemble de moteur léger en cas de dysfonctionnement. L'ensemble de moteur léger complet doit être remplacé.

Effectuer un entretien de routine sur le filtre pour assurer un fonctionnement sans problème de la buse. Veiller à ne pas laisser de débris pénétrer dans la plomberie d'entrée lors du nettoyage des filtres.

REMARQUE : Toujours rincer les conduites après le nettoyage et le lavage à contre-courant des filtres.

9.1 Crépine bouchée

1. Si la crépine est obstruée par des débris provoquant une distorsion du jet, retirer l'ensemble de la fontaine Laminar en dévissant les deux (2) vis de fixation du couvercle de la cartouche de pont.
2. Retirer le couvercle de la cartouche de pont et l'ensemble de la fontaine et le placer sur le pont. Débrancher le raccord se trouvant sur le tuyau flexible fixé au bas de l'ensemble de la fontaine.
3. Retirer la crépine du raccord et le nettoyer avec un boyau d'arrosage.

REMARQUE : Éviter d'endommager l'ouverture de la buse. Après le nettoyage, reposer les raccords.

9.2 Hivernage

La fontaine Laminar peut être hivernée dans les régions qui nécessitent un hivernage.

1. Retirer l'assemblage du couvercle de la cartouche de pont et dévisser le raccord de ½ pouce (13 mm).
2. Visser le capuchon sur le tuyau flexible fixé à la cartouche de pont. La fontaine Laminar peut ensuite être replacée dans la cartouche de pont ou peut être remise dans un lieu d'entreposage. Si elle est laissée dans la cartouche de pont, coller l'ouverture de la fente pour s'assurer que l'eau ne pénètre pas dans le système. Si un câble à fibre optique est utilisé, veiller à retirer l'écrou de retenue sur le raccord étanche au bas de l'ensemble de la fontaine.

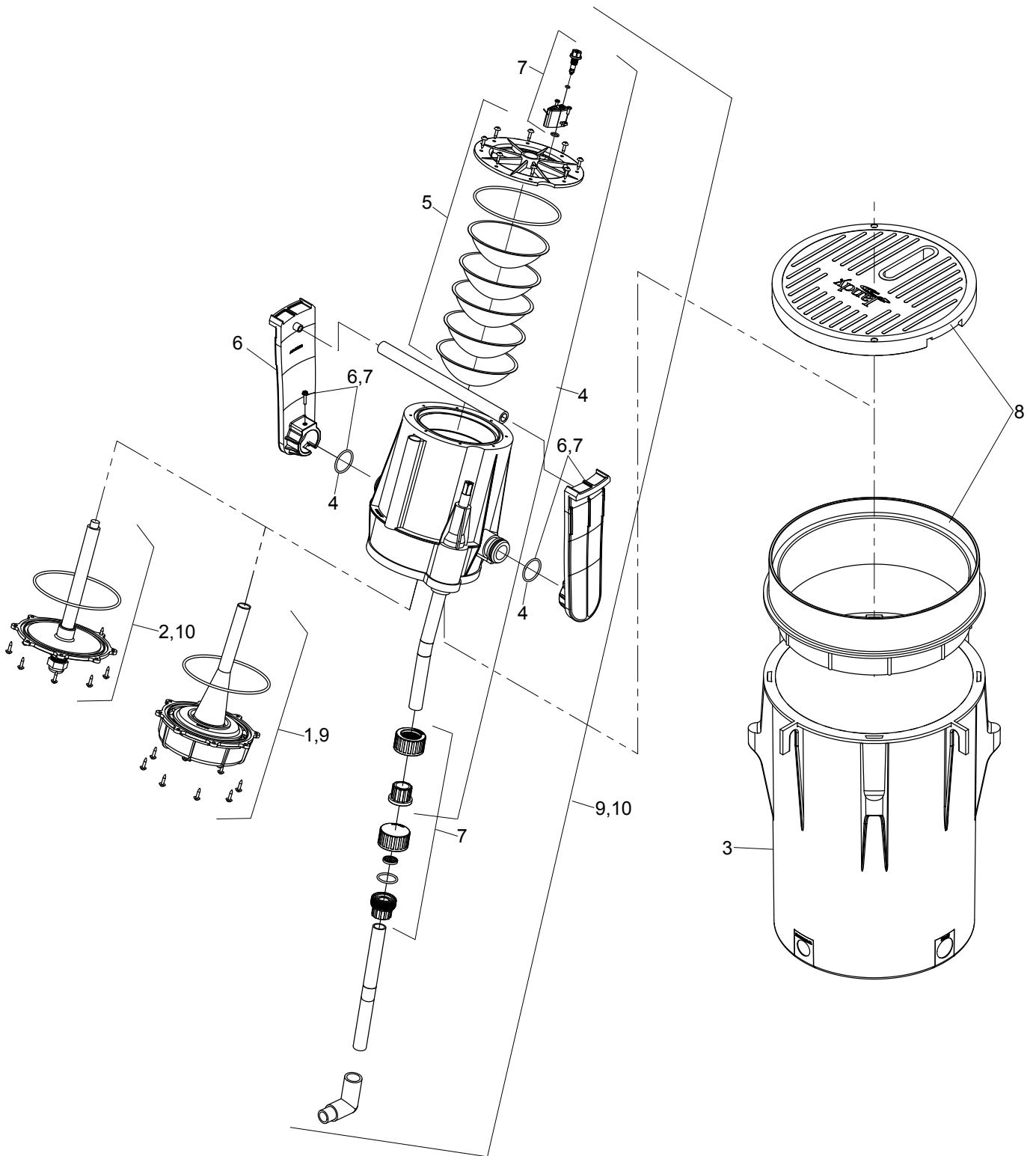
Section 10. Liste des pièces de rechange et vue éclatée

10.1 Liste des pièces de rechange

N° de code	Description	Modèle	Commande N° de pièce
1	Ensemble de moteur d'éclairage DEL RVBB, fontaine Laminar	Tout	R0961200
2	Ensemble fibre optique, Fontaine Laminar	Tout	R0488900
3	Cartouche de pont, fontaine Laminar	Tout	R0489100
4	Ensemble de fontaine, fontaine Laminar (n° module d'éclairage)	Tout	R0489200
5	Couvercle et crépines (5), Ensemble fontaine Laminar	Tout	R0489300
6	Supports et quincaillerie de montage, fontaine Laminar	Tout	R0489500
7	Trousse de reconstruction, toute la quincaillerie, grattoir, crépine et raccords	Tout	R0490000
8	Couvercle t collier, caillou, Fontaine Laminar	Tout	JLPBL
	Couvercle et collier, étain, Fontaine Laminar	Tout	JLPWTR
9	Fontaine Laminar avec jeu de remplacement d'éclairage DEL RVBB	Tout	R0960900
10	Fontaine Laminar avec ensemble d'actualisation fibre optique	Tout	R0500300

REMARQUE : Si le cordon électrique de l'ensemble d'éclairage à DEL est endommagé, l'ensemble du moteur d'éclairage à DEL (R0960900) doit être remplacé.

10.2 Vue éclatée



Zodiac Pool Systems LLC

2882 Whiptail Loop # 100
Carlsbad, CA 92010

Fluidra Group Australia Pty Ltd

219 Woodpark Road
Smithfield, NSW AU 2164

États-Unis | 1.800.822.7933 Jandy.com |
AUS | Zodiac.com.au | 1.800.688.552

©2021 Zodiac Pool Systems LLC. Tous droits réservés. ZODIAC® est une marque déposée de Zodiac International, S.A.S.U, utilisée sous licence. Toutes les autres marques sont la propriété de leurs propriétaires respectifs.



MANUAL DE INSTALACIÓN Y OPERACIÓN

ESPAÑOL



Jet laminar Jandy Serie JLLED4C Serie JLFBR

ADVERTENCIA

PARA SU SEGURIDAD: La instalación y el servicio de este producto deben estar a cargo de un contratista cualificado y matriculado para trabajar con equipamientos para piscinas en la jurisdicción en la que se instalará el producto, donde existan tales requisitos estatales o locales. La persona encargada del mantenimiento debe ser profesional y contar con experiencia suficiente en la instalación y el mantenimiento de equipos para piscinas, para que todas las instrucciones de este manual se puedan seguir con exactitud. Antes de instalar este producto, lea y siga todos los avisos de advertencia y las instrucciones que se proporcionan con el producto. Si no se siguen los avisos de advertencia o las instrucciones, es posible que se produzcan daños materiales, lesiones personales o la muerte. Una instalación u operación incorrectas pueden anular la garantía.



NO MODIFIQUE ESTE EQUIPO.

La instalación y la operación inadecuadas pueden generar peligros eléctricos no deseados que pueden provocar lesiones graves, daños materiales o la muerte.

ATENCIÓN, INSTALADOR: Este manual contiene información importante acerca de la instalación, la operación y la utilización seguras de este producto. Esta información debe proporcionarse al propietario/operador de este equipo.

Contenido

Sección 1. Información de seguridad.....	35	Sección 5. Instalación del jet laminar con módulo de fibra óptica (usar con la serie JLFBR)	43
Sección 2. Requisitos generales de instalación.....	37	5.1 Elementos requeridos	43
2.1 Fuente de suministro de agua.....	37	5.2 Instalación	43
2.2 Bomba	37	Sección 6. Cómo poner el sistema en funcionamiento.....	43
2.3 Tuberías	37	6.1 Instalar el conjunto de jet	43
2.4 Módulo de luces LED	37	6.2 Configuración del jet.....	43
2.5 Conducto/módulo de fibra óptica.....	37	Sección 7. Cómo operar el jet laminar con luces LED	45
2.6 Dimensiones críticas de colocación	37	7.1 Para operar la luz y cambiar de color.....	45
Sección 3. Instalación del cubo de la plataforma	39	7.2 Para restablecer al principio de la secuencia de colores.....	45
3.1 Instalación en la plataforma	39	Sección 8. Configuración de la intensidad de la luz.....	45
3.2 Instalación de la caja fuera de la plataforma/en un tiesto.....	40	8.1 Conjunto de ajuste de la intensidad de la luz	45
3.3 Prueba de presión en las líneas de agua	41	Sección 9. Mantenimiento general y resolución de problemas	46
3.4 Enjuagar las líneas de agua.....	41	9.1 Obstrucción de la pantalla de protección de los dedos	46
Sección 4. Instalación del jet laminar con luces LED (usar con la serie JLLED4C)	41	9.2 Preparación para el invierno	46
4.1 Preparación del jet laminar con luces LED para su instalación	41	Sección 10. Lista de piezas y vista ampliada	46
4.2 Instalación del jet laminar con luces LED	41	10.1 Lista de piezas	46
4.3 Opciones de cableado para controlar el jet laminar con luces LED	42	10.2 Vista ampliada.....	47
4.4 Instalación del transformador de (12) voltios	43		

Sección 1. Información de seguridad

INSTRUCCIONES IMPORTANTES DE SEGURIDAD EN RELACIÓN CON EL RIESGO DE INCENDIOS, CHOQUE ELÉCTRICO O LESIONES PERSONALES

LEA Y SIGA ESTAS INSTRUCCIONES

Cuando se instale y utilice este equipo eléctrico, siempre se deberán seguir las siguientes precauciones básicas de seguridad.

⚠ ADVERTENCIA

RIESGO DE CHOQUE ELÉCTRICO O ELECTROCUCIÓN. Un electricista matriculado o certificado debe instalar este jet laminar con luces LED en conformidad con National Electrical Code® y los códigos y las ordenanzas locales aplicables. En Canadá, deben cumplirse Canadian Electrical Code y todos los códigos y ordenanzas locales aplicables. La instalación incorrecta creará un peligro eléctrico, que podría resultar en la muerte o en lesiones graves a los usuarios de la piscina o del hidromasaje, a los instaladores, o a terceros debido a un choque eléctrico, y también puede producir daños materiales. Lea y siga las instrucciones específicas a continuación.

⚠ ADVERTENCIA

Antes de instalar este jet laminar con luces LED, lea y siga todos los avisos de advertencia y las instrucciones que se proporcionan con este producto. Si no se siguen las advertencias de seguridad y las instrucciones, es posible que se produzcan lesiones graves, muerte, o daños materiales. Visite www.jandy.com o llame al (800) 822-7933/(888) 647-4004 (Canadá) para obtener copias gratuitas adicionales de estas instrucciones.

⚠ ADVERTENCIA



ATENCIÓN INSTALADOR: Este manual contiene información importante acerca de la instalación, la operación y la utilización seguras de este producto. Esta información debe proporcionarse al propietario/operador de este equipo.

⚠ ADVERTENCIA



- No conecte el sistema a un sistema de agua municipal no regulado ni a ninguna otra fuente externa de agua presurizada que produzca presiones de más de 35 PSI.
- El aire presurizado en el sistema puede provocar la falla del producto o que la tapa del filtro salga expulsada, lo que puede resultar en la muerte, en lesiones personales graves o en daños materiales. Asegúrese de que ya no haya aire en el sistema antes de operar o de probar el equipo.

⚠ ADVERTENCIA



Las presiones operativas máximas para bombas, filtros y otros equipos se especifican en sus instrucciones individuales de instalación/operación. Nunca someta el sistema a presiones de prueba u operativas que superen estas especificaciones. Las presiones por arriba de las clasificaciones nominales operativas máximas de los componentes pueden provocar la falla del producto o la expulsión de la tapa, u otras fallas del equipo, que pueden resultar en la muerte, en lesiones personales graves o en daños materiales.

ADVERTENCIA



Para minimizar el riesgo de lesiones graves o de muerte, no se deben someter el filtro ni la bomba a la prueba de presurización del sistema de tuberías.

Las normativas locales pueden requerir que el sistema de tuberías de la piscina sea sometido a una prueba de presión. Estos requisitos no suelen estar destinados a los equipos para piscinas como filtros o bombas.

Los equipamientos para piscinas Jandy se someten a una prueba de presión en la fábrica.

Sin embargo, si no se puede respetar esta ADVERTENCIA y la prueba de presión del sistema de tuberías debe incluir el filtro y la bomba, **ASEGÚRESE DE CUMPLIR LAS SIGUIENTES INSTRUCCIONES DE SEGURIDAD:**

- Verifique en su totalidad las abrazaderas, los tornillos, las tapas, los anillos de bloqueo y los accesorios del sistema para asegurar que estén correctamente instalados y fijos antes de la prueba.
- **LIBERE TODO EL AIRE** del sistema antes de la prueba.
- La presión de agua para la prueba **NO DEBE EXCEDER** los 35 PSI.
- La temperatura del agua para la prueba **NO DEBE EXCEDER** los 100 °F (38 °C).
- Limite la prueba a 24 horas. Después de la prueba, verifique visualmente el sistema para asegurar que esté listo para su operación.

AVISO: Estos parámetros se aplican únicamente a los equipos Jandy. En el caso de equipos de otra marca, consulte con el fabricante.

ADVERTENCIA

RIESGO DE CHOQUE ELÉCTRICO O ELECTROCUCIÓN

que pueden resultar en lesiones graves o la muerte. Debe usarse un interruptor diferencial (GFCI) para transformadores de 120 voltios si lo requieren el fabricante del transformador o el código local aplicable y la autoridad con jurisdicción. Cuando se use un interruptor diferencial (GFCI), los conductores en el lado de carga del circuito del interruptor diferencial (GFCI) no deben ocupar conductos, cajas ni cerramientos que contengan otros conductores, a no ser que los conductores adicionales también estén protegidos mediante un interruptor diferencial (GFCI). Consulte los códigos locales para obtener los detalles completos.

GUARDE ESTAS INSTRUCCIONES

Sección 2. Requisitos generales de instalación

Este documento suministra instrucciones para instalar el jet laminar Jandy con luces LED. Lea las instrucciones en su totalidad antes de comenzar el procedimiento. El jet laminar está diseñado para suministrar un flujo de agua transparente y ajustable con arcos hacia arriba y hacia abajo en la piscina.

El jet laminar trae un módulo de luces LED incorporado o un módulo de fibra óptica que admite fibra óptica con luces. Estas fuentes de luz iluminan el arco de agua y crean un efecto deslumbrante por la noche. Esta función exclusiva para el agua se instala fácilmente y es posible combinar varios jets para crear un entretenimiento espectacular con el agua.

Para instalar correctamente este producto, lea con atención las siguientes instrucciones de instalación y mantenimiento.

2.1 Fuente de suministro de agua

La línea de suministro de agua del jet laminar debe estar filtrada con un filtro de cartucho (no utilice un filtro de arena). Si usa un filtro dedicado, debe ser de al menos 20 ft² (1,85 m²). Para instalaciones con más de un jet, use un mínimo de 100 ft² (9,3 m²), como el filtro Jandy CS100.

2.2 Bomba

El caudal mínimo requerido de la bomba para cada jet laminar se indica en la siguiente tabla:

Tabla de volumen y presión del agua del jet laminar			
Galones (gpm EE. UU./lpm)	7,5/28	8/30	8,5/32
Presión de entrada (psi)	9,5	10,3	11
Altura del jet (ft/m)	5/1,5	6/1,8	7/2,1

2.3 Tuberías

Cada jet laminar requiere una línea de alimentación principal de PVC de 1½ a 2 in (38 a 50 mm) con PVC de 1 in (25 mm) que ingrese al cubo de la plataforma. También se requiere una válvula de retención, que debe colocarse lo más alejada posible del bote de la plataforma para minimizar la turbulencia del agua.

2.4 Módulo de luces LED

El módulo de luces LED de 12 V ofrece una iluminación dinámica en nueve (9) colores brillantes y cinco (5) colores festivos que pueden controlarse manualmente mediante el sistema de control AquaLink® RS (Rev O o posterior) o mediante el sistema de control Jandy PDA (Rev 4.0 o posterior). El módulo de luces puede sincronizarse con las luces LED para piscinas e hidromasajes de Jandy y funciona con menos de 25 vatios de potencia.

2.5 Conducto/módulo de fibra óptica

Si se instala fibra óptica, cada jet laminar requerirá cable de fibra óptica de 100 a 150 hebras. Se recomienda el cable de 150 hebras debido a los efectos de iluminación mejorados.

2.6 Dimensiones críticas de colocación

El jet laminar puede proyectar a un máximo de 7 ft (2,1 m) hacia arriba y 8 ft (2,4 m) hacia afuera en el agua. En consecuencia, es necesario asegurarse de que la instalación esté a no más de 6 ft (1,8 m) desde el borde *interior* de la piscina.

NOTA: Para evitar la pulverización de agua sobre la plataforma en áreas con mucho viento, coloque el jet laminar cerca del borde de la piscina.

NOTA: La tapa del bote de la plataforma puede girar únicamente unos 90 grados hacia la izquierda o hacia la derecha. En consecuencia, debe asegurarse de que el bote de la plataforma esté posicionado hacia la ubicación objetivo deseada (consulte Instalación del cubo de la plataforma) antes de completar la instalación.

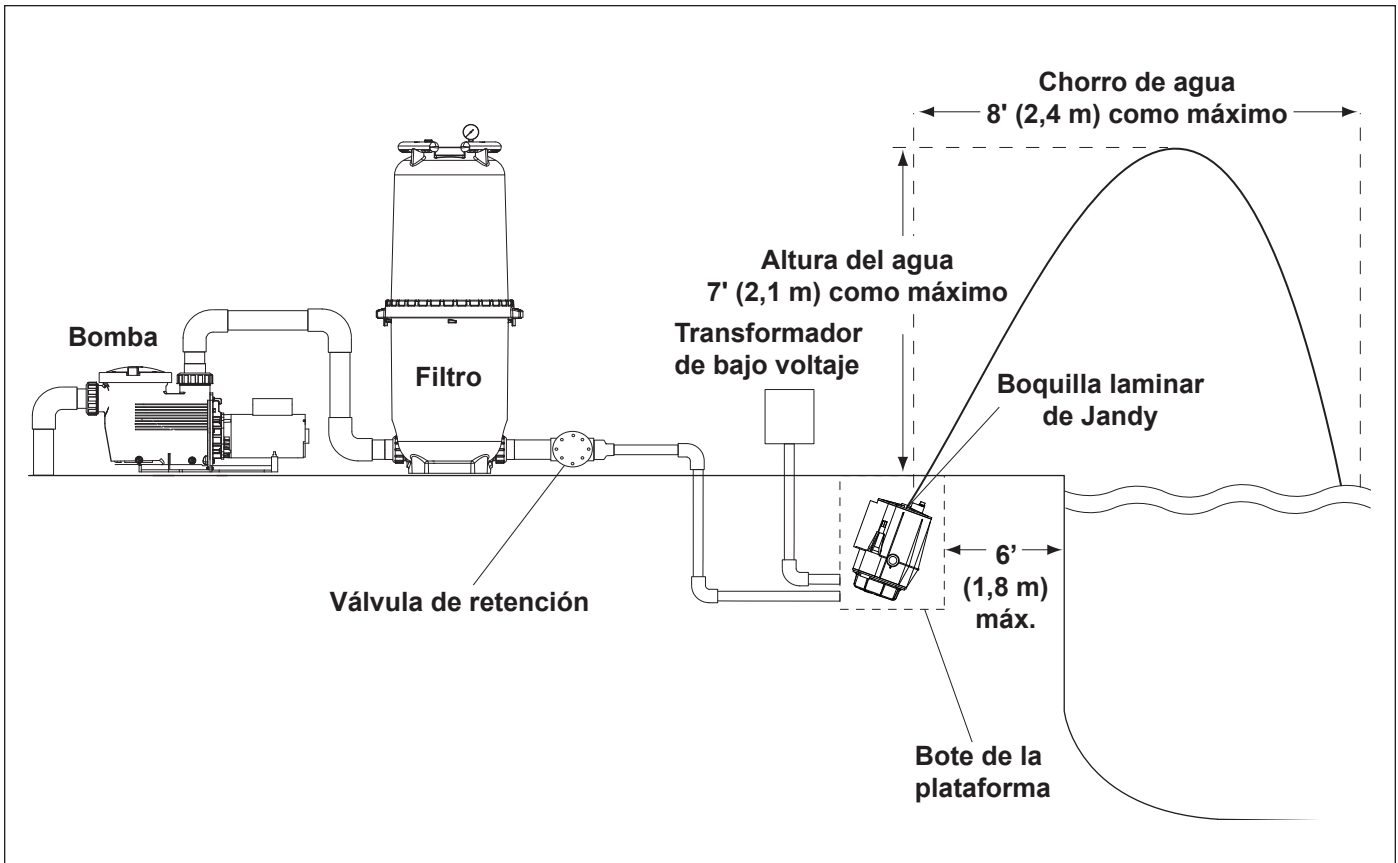


Figura 1. Diagrama de conexiones de tuberías básico para el jet laminar con bote de plataforma

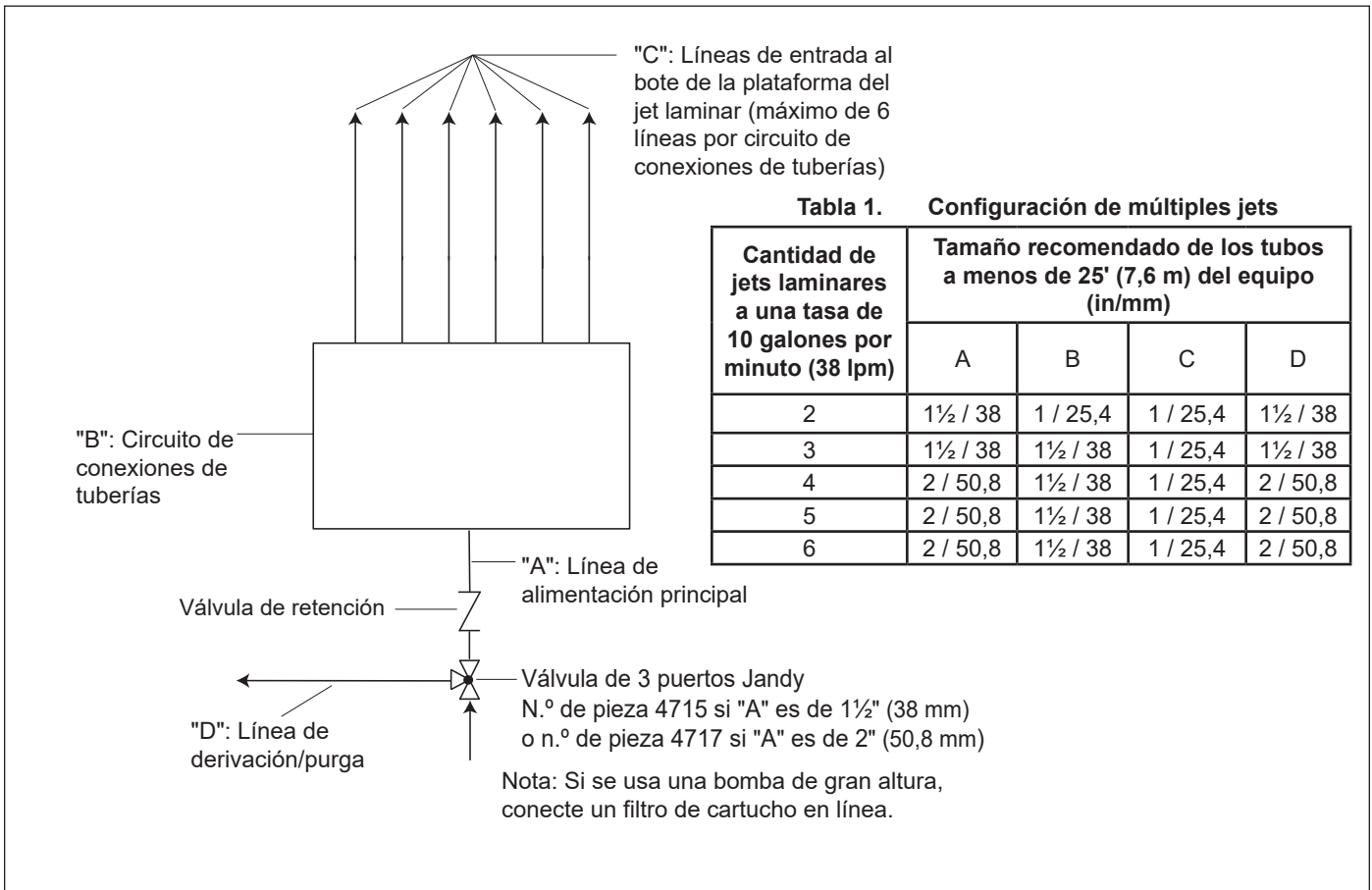


Figura 2. Plano del circuito de conexiones de tuberías para múltiples jets laminares

Sección 3. Instalación del cubo de la plataforma

NOTA: Antes de instalar el cubo de la plataforma del jet laminar Jandy, ubique la abertura del jet (ranura) en la cubierta del cubo de la plataforma. Asegúrese de que esta abertura esté apuntando hacia la ubicación objetivo deseada en la piscina. Use como referencia el tubo del soporte de agua. La determinación de la orientación del cubo de la plataforma también establecerá dónde colocar las tuberías y el conducto de fibra óptica.

NOTA: La tapa del bote de la plataforma puede girar únicamente unos 90 grados hacia la izquierda o hacia la derecha. En consecuencia, debe asegurarse de que el bote de la plataforma esté posicionado hacia la ubicación objetivo deseada antes de completar la instalación.

3.1 Instalación en la plataforma

- Haga el orificio para el cubo de la plataforma de aproximadamente 24 pulgadas de profundidad y 18 pulgadas de diámetro. Esto asegurará que haya lugar suficiente para posicionar el cubo y tender las tuberías. Esta profundidad también permite agregar una capa de gravilla de un tamaño de aproximadamente 1/8 a 1/4" (3 a 6 mm) para mayor estabilidad y mejor drenaje. Consulte las dimensiones del cubo de la plataforma.

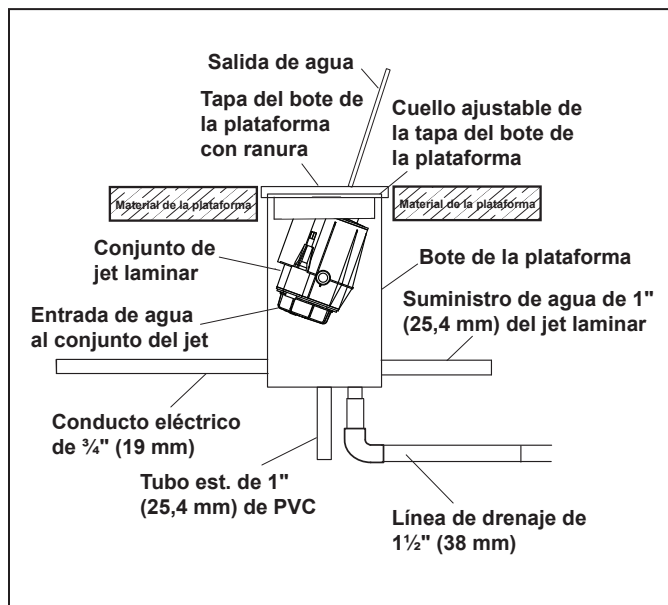


Figura 3. Esquema del cubo de la plataforma del jet laminar

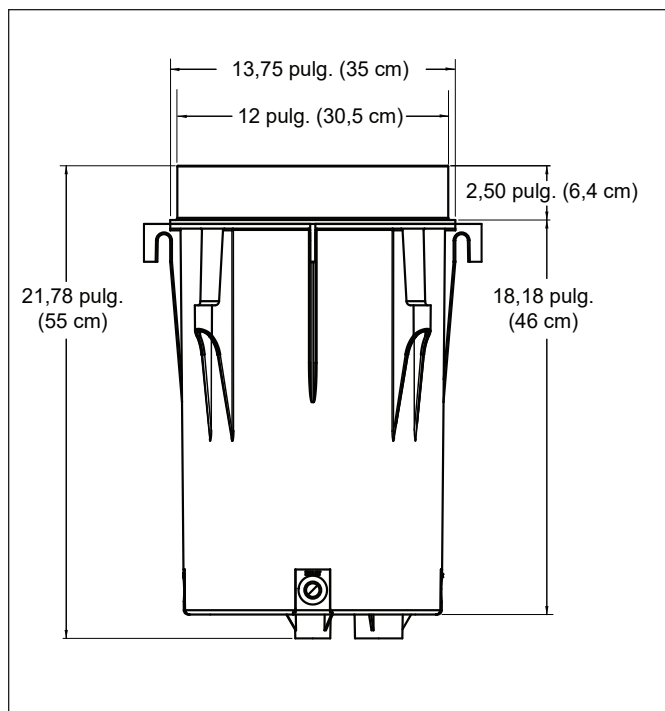


Figura 4. Dimensiones del cubo de la plataforma

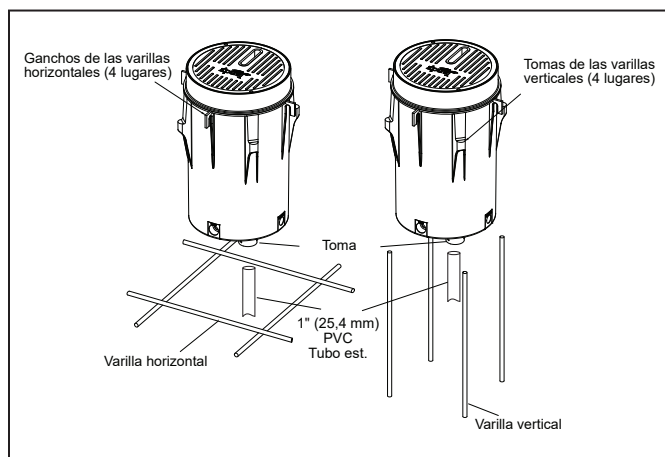


Figura 5. Ganchos y tomas de la varilla del cubo de la plataforma

- Coloque el cubo de la plataforma en el orificio. El borde superior de la tapa/del cuello debe estar al ras con la plataforma terminadas después de vertido el material de la plataforma.

NOTA: Para asegurar que el bote permanezca en posición vertical cuando se instala y nivela la unidad, coloque una pieza de 6 pulgadas (15 cm) de tubo de PVC de 1 pulgada (25,4 mm) en la toma para el soporte de la construcción de la parte inferior del bote.

- Nivele el bote de la plataforma. Para sostener el bote en su lugar mientras se vuelca en la plataforma, amarre el bote con alambre al marco de acero de la plataforma para fijarlo. Para el nivel de montaje, se suministran ganchos en las varillas horizontales y tomas en las varillas verticales alrededor de la parte externa del bote.

4. Conecte el suministro de agua filtrada entrante al concentrador de 1 pulgada (25,4 mm) ubicado en el lado del bote de la plataforma marcado con “Inlet” (Entrada). El suministro de agua filtrada debe incluir una válvula de retención.
5. Conecte el conducto para el cable de LED de fibra a la toma de 3/4 de pulgada (19 mm) ubicada a uno de los lados del bote de la plataforma marcada con “Electrical” (Electricidad). Consulte las instrucciones de instalación de la fibra óptica.

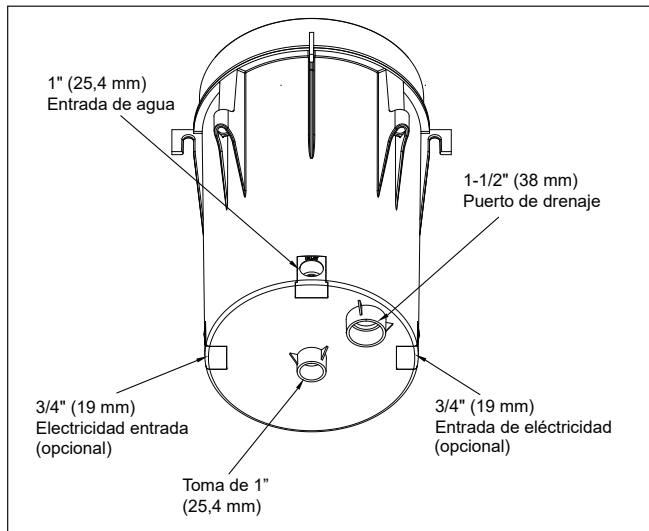


Figura 6. Bote de la plataforma, vista inferior

NOTA: Use una (1) de las dos (2) entradas de electricidad ubicadas a los lados del bote de la plataforma suministradas para una mayor facilidad en la instalación.

6. Conecte la línea de drenaje de 1½ pulgadas (38 mm). Debe suministrarse un drenaje adecuado para el bote de la plataforma.

NOTA: Es fundamental un drenaje adecuado para el bote de la plataforma a fin de evitar daños en el conjunto del jet laminar.

7. Verifique que el bote de la plataforma esté a nivel.
8. Coloque nuevamente el cuello de la tapa de la plataforma ajustable en el bote. Este cuello permite que el instalador lleve a cabo ajustes finos al nivelar el bote para que esté al ras con la superficie terminada de la plataforma. Coloque el cuello a nivel de la plataforma terminada y vierta la plataforma.

3.2 Instalación de la caja fuera de la plataforma/en un tiesto

⚠ PRECAUCIÓN

No instale el bote de la plataforma del jet laminar Jandy en un área propensa a escurrimientos o inundaciones, ni en una superficie inflamable.

NOTA: La tapa del bote de la plataforma puede girar únicamente unos 90 grados hacia la izquierda o hacia la derecha. En consecuencia, debe asegurarse de que el bote de la plataforma esté posicionado hacia la ubicación objetivo deseada antes de completar la instalación.

1. Haga el orificio para el cubo de la plataforma de aproximadamente 24 pulgadas de profundidad y 18 pulgadas de diámetro (60 cm de profundidad, 45 cm de diámetro). Esto asegurará que haya lugar suficiente para posicionar el cubo y tender las tuberías. Las dimensiones permiten agregar una capa de gravilla, de un tamaño aproximado de 1/8 a 1/4" (3 a 6 mm), para el drenaje, además de espacio para verter hormigón alrededor de la parte exterior del bote para una mayor estabilidad.

NOTA: Es fundamental un drenaje adecuado para el bote de la plataforma a fin de evitar daños en el conjunto del jet laminar.

2. Levante la tapa y el conjunto del jet y el cuello de la tapa de la plataforma ajustable del bote de la plataforma.

NOTA: Para asegurar que el bote permanezca en posición vertical cuando se instala y nivela la unidad, coloque un largo de 6 pulgadas (15 cm) de tubo de PVC de 1 pulgada (25,4 mm) en la toma de la parte inferior del bote.

3. Coloque el cubo de la plataforma en el orificio. El bote debe estar a aproximadamente 1½ a 2 pulgadas (38 a 50 mm) *arriba* del nivel terminado del tiesto.

NOTA: A diferencia de la instalación en la plataforma, la cubierta del bote de la plataforma no puede estar al ras con el nivel terminado del tiesto. Debe estar levemente arriba de la superficie para evitar que se filtren agua y desechos hacia el bote.

4. Nivele el bote de la plataforma. Para sostener el bote en su lugar, coloque una pieza de 6 pulgadas (15 cm) de tubo de PVC de 1 pulgada (25,4 mm) en la toma para el soporte de la construcción de la parte inferior del bote.
5. Conecte el suministro de agua filtrada entrante al concentrador de 1 pulgada (25,4 mm) ubicado en la parte inferior del bote de la plataforma marcado con “Inlet” (Entrada). El suministro de agua filtrada debe incluir una válvula de retención.
6. Conecte el conducto para el cable de fibra/LED al cubo de 1 de pulgada (25,4 mm) ubicado en la parte inferior del bote de la plataforma marcado con “Electrical” (Electricidad). Consulte las instrucciones de instalación de la fibra óptica.
7. Conecte la línea de drenaje de 1½ pulgadas (38 mm) ubicada en la parte inferior del bote de la plataforma. Debe suministrarse un drenaje adecuado para el bote.
8. Llene el orificio que rodea el bote de la plataforma con hormigón o con un material de relleno adecuado para la estabilidad en el suelo.
9. Coloque nuevamente el cuello de la tapa de la plataforma ajustable en el bote.

3.3 Prueba de presión en las líneas de agua

⚠ ADVERTENCIA

Las presiones operativas máximas para bombas, filtros y otros equipos se especifican en sus instrucciones individuales de instalación/operación. Nunca someta el sistema a presiones de prueba u operativas que superen estas especificaciones. Las presiones por arriba de las clasificaciones nominales operativas máximas de los componentes pueden provocar la falla del producto o también la expulsión de la tapa, u otras fallas del equipo, que pueden resultar en la muerte, en lesiones personales graves o en daños materiales.

La unidad se envía lista para la prueba de presión con una tapa en la manguera flexible conectada al bote.

NOTA: Esta tapa puede utilizarse para preparar el sistema para el invierno o para dar servicio a la unidad, si es necesario.

Al llevar a cabo pruebas de presión hidrostática o al probar para detectar fugas externas en el sistema de filtrado y tuberías completado, asegúrese de que la presión máxima a la que se someta el sistema de filtrado no supere la presión de trabajo máxima de ninguno de los componentes del sistema.

3.4 Enjuagar las líneas de agua

Es importante que, antes de reinstalar el jet laminar y la tapa del bote de la plataforma, el instalador active la fuente de suministro de agua y enjuague cualquier desecho de las líneas.

NOTA: La pantalla de protección de los dedos está instalada en el conector debajo de la tapa. Extraiga la pantalla de protección de los dedos cuando enjuague la línea y vuelva a instalarla cuando vuelva a instalar la tapa o el conjunto del jet.

Sección 4. Instalación del jet laminar con luces LED (usar con la serie JLLED4C)

⚠ ADVERTENCIA

Riesgo de choque eléctrico o electrocución que puede resultar en lesiones graves o en la muerte. El jet laminar Jandy está disponible solo para energía de CA de 12 voltios. Para la conexión de suministro, use solo una fuente de alimentación de bajo voltaje aislante con salida sin conexión a tierra, nombrada por un NRTL para su uso en piscinas. Debe usarse un interruptor diferencial (GFCI) para transformadores de 120 voltios si lo requieren el fabricante del transformador o el código local aplicable y la autoridad con jurisdicción. Cuando se use un interruptor diferencial (GFCI), los conductores en el lado de carga del circuito del interruptor diferencial (GFCI) no deben ocupar conductos, cajas ni cerramientos que contengan otros conductores, a no ser que los conductores adicionales también estén protegidos mediante un interruptor diferencial (GFCI). Consulte los códigos locales para obtener los detalles completos. Un electricista matriculado o certificado, o una persona cualificada en el servicio de piscinas, deben instalar este jet laminar con luces LED en conformidad con National Electrical Code® y todos los códigos y todas las ordenanzas locales aplicables. La instalación incorrecta creará un peligro eléctrico, que podría resultar en la muerte o en lesiones graves a los usuarios de la piscina o del hidromasaje, a los instaladores o a terceros debido a un choque eléctrico, y también puede producir daños materiales.

⚠ ADVERTENCIA

Desconecte siempre la energía al jet laminar con luces LED en el disyuntor antes de instalar o dar servicio a la luz. Si no lo hace, la persona de servicio, los usuarios de la piscina o del hidromasaje, o terceros, podrían morir o sufrir lesiones graves debido a un choque eléctrico.

4.1 Preparación del jet laminar con luces LED para su instalación

NOTA: El electricista debe completar los pasos de preparación antes de la instalación del jet laminar con luces LED.

Asegúrese de que la piscina cumpla los requisitos de la versión actual de National Electrical Code y todos los códigos y las ordenanzas locales. Un electricista matriculado o certificado debe instalar el sistema eléctrico para satisfacer o exceder dichos requisitos antes de instalar el jet laminar con luces LED. Algunos requisitos de National Electrical Code que los sistemas eléctricos de las piscinas deben cumplir son los siguientes:

1. El transformador de bajo voltaje debe estar ubicado a al menos 8 pulgadas (20 cm) por arriba del nivel del agua, a al menos 4 pulgadas (10 cm) por arriba del nivel del suelo y a al menos 4 pies (1,2 m) de distancia del borde de la piscina.
2. Todos los elementos metálicos a menos de 5 pies (1,5 m) de la piscina deben conectarse equipotencialmente a un punto confiable de conexión a tierra.

4.2 Instalación del jet laminar con luces LED

NOTA: Lleve a cabo estos pasos solo después de que se cumplan los requisitos del sistema eléctrico.

1. Alimente el cable a través de conducto al transformador de bajo voltaje. Deje al menos 4 pies de cable en accesorio de luz para enrollarlo en el bote de la plataforma. Los 4 pies (1,2 m) de cable permiten dar servicio fácilmente a la luz.
2. Corte el cable en el transformador de bajo voltaje. Deje al menos 6 pulgadas (15 cm) de cable para hacer conexiones.
3. Pele 6 pulgadas (15 cm) de la camisa exterior del cable para exponer los tres (3) alambres aislados. *Tenga cuidado de no dañar el aislamiento de los tres (3) alambres internos.*
4. Instale un alivio de tensión sobre la camisa del cable y conecte los tres (3) alambres a los alambres del circuito correspondientes en el transformador de bajo voltaje. Instale la cubierta del transformador de bajo voltaje.
5. Encienda el interruptor o disyuntor principal y el interruptor que opera el jet laminar con luces LED para verificar el funcionamiento correcto. Consulte las instrucciones operativas.

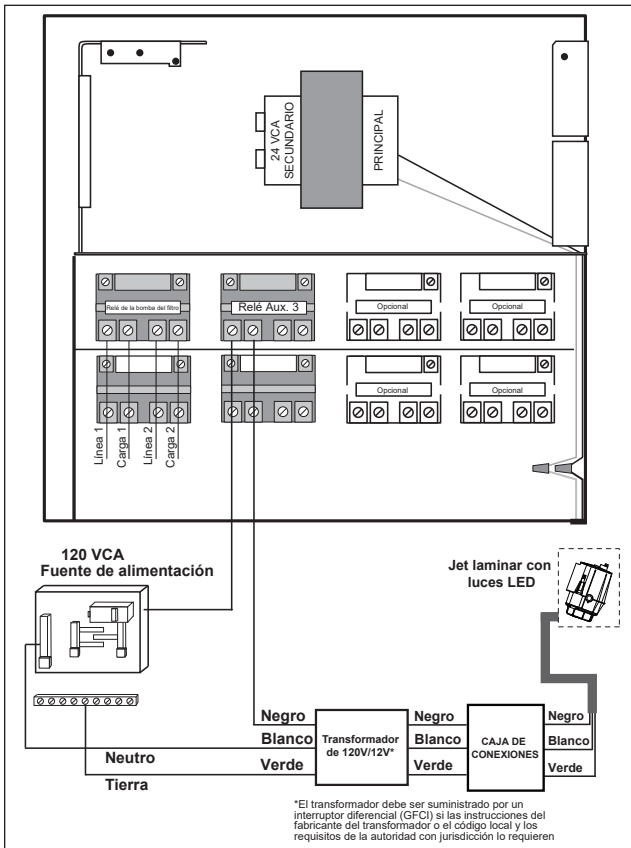


Figura 7. Diagrama de cableado del jet laminar de 12 voltios con luces LED

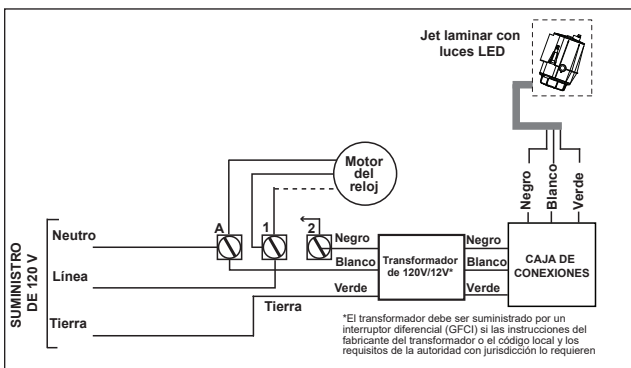


Figura 8. Cableado del jet laminar con luces LED a un reloj

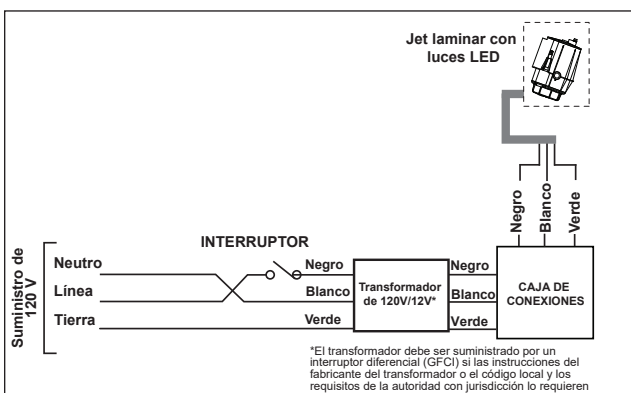


Figura 9. Cableado del jet laminar con luces LED a un interruptor

4.3 Opciones de cableado para controlar el jet laminar con luces LED

NOTA: El jet laminar con luces LED no funcionará correctamente con atenuadores de luces. No cablee el jet laminar con luces LED a ningún circuito con atenuador.

En la medida que el código y la capacidad de los equipos eléctricos lo permiten, es posible controlar múltiples jets laminares con luces LED mediante un único interruptor para que los colores estén *siempre* sincronizados.

Es posible utilizar interruptores separados para controlar las funciones de encendido/apagado y de color de cada jet laminar con luces LED. Es recomendable que estos interruptores estén colocados uno junto al otro para facilitar la sincronización sencilla de los colores cuando se desee. Todos los interruptores deben operarse al mismo tiempo para asegurar la sincronización de los colores. De lo contrario, las luces funcionarán de manera independiente.

4.3.1 Cableado a un sistema de control AquaLink® RS

El jet laminar con luces LED puede cablearse al sistema de control Jandy AquaLink RS para suministrar una operación simplificada de las luces y como medio de sincronizar la función de cambio de colores. Conecte el jet laminar con luces LED a uno de los relés auxiliares en el centro de energía.

NOTA: Se recomienda conectar un (1) jet laminar con luces LED por relé, para poder controlar cada luz por separado. No obstante, es posible conectar hasta cuatro (4) jets laminares con luces LED a un único relé. Si hay más de cuatro (4) luces instaladas en un (1) sistema AquaLink RS, asegúrese de que haya más de un (1) relé auxiliar disponible en el centro de energía.

Conecte el jet laminar con luces LED al centro de energía.

NOTA: El jet laminar con luces LED funciona únicamente con 12 voltios de CA. DEBE utilizarse un transformador de reducción de 120 voltios/12 voltios de CA adecuado. Continúe leyendo para obtener más detalles importantes.

4.3.2 Cableado a un reloj

El jet laminar con luces LED puede cablearse a un reloj básico para encenderse a una hora predesignada. Conecte el jet laminar con luces LED al reloj.

4.3.3 Cableado a un interruptor

El jet laminar con luces LED puede cablearse a un interruptor para encender/apagar las luces manualmente. Conecte el jet laminar con luces LED al interruptor.

4.4 Instalación del transformador de (12) voltios

El jet laminar con luces LED requiere el uso de un transformador para iluminación de bajo voltaje de 120/12 VCA y 100 vatios.

NOTA: Para un desempeño óptimo, Zodiac Pool Systems, Inc. recomienda el uso de un transformador por cada jet laminar de 12 voltios. No obstante, es posible energizar hasta 4 jets laminares con un transformador de 200 vatios.

Para la máxima seguridad, el transformador utilizado para energizar el jet laminar con luces LED debe estar nombrado por un laboratorio de pruebas con reconocimiento nacional (*Nationally Recognized Testing Laboratory*, NRTL) para la aplicación.

NOTA: Si la piscina ya tiene un transformador de bajo voltaje que energiza las luces de la piscina y/o del hidromasaje, no use el mismo transformador para energizar el jet laminar con luces LED. Esto es para asegurar que las luces LED del jet laminar se enciendan únicamente cuando la bomba del jet laminar esté en funcionamiento.

Sección 5. Instalación del jet laminar con módulo de fibra óptica (usar con la serie JLFBR)

5.1 Elementos requeridos

Herramientas e insumos necesarios para la instalación del módulo de fibra óptica:

Herramientas	Cuchilla utilitaria o cuchillo de corte en caliente; pistola de calor o soplete de propano.
Cable	Cada jet requiere de 100 a 150 de cable de fibra óptica. No use más de 40 pies (12 m) de cable por boquilla, ya que se reduciría la salida de luz.
Iluminador	Use un iluminador con una capacidad suficiente para el efecto de iluminación previsto.
Materiales adicionales	Cinta eléctrica; silicona (RTV)

5.2 Instalación

1. Retire 6 pulgadas (15 cm) de camisa del cable.
2. Aplique cinta eléctrica negra a la parte expuesta de la fibra. Deje aproximadamente ½ pulgada (13 mm) de fibra expuesta en el extremo del cable. La cinta evita que las fibras individuales se separen.
3. Con un cuchillo de corte en caliente, corte el cable de fibra óptica de modo que el extremo del cable sea una superficie plana. Para obtener mejores resultados, caliente el cuchillo a rojo fresa.

NOTA: No corte los extremos de la fibra demasiado cerca del borde de la cinta. Deje una distancia de ¼ de pulgada (6 mm) entre el extremo del cable y el extremo del borde de la cinta. Esto evitará que el adhesivo de la cinta se funda e ingrese en el extremo de las hebras de fibra óptica.

4. Deslice el cable de fibra óptica completado a través del conector impermeable Heyco®* y hacia arriba en el tubo (ubicado en la parte inferior del jet) hasta que el cable haga tope en la lente dentro de la unidad. Fije la fibra. Para ello, ajuste el conector impermeable.

*Heyco es una marca registrada de Heyco Products, Inc.

- NOTA:** Deje al menos cuatro (4) pies (1,2 m) de cable de fibra óptica adicionales en el bote de la plataforma para permitir la extracción fácil del jet laminar.
5. Llene el conducto eléctrico entre la abertura y el cable de fibra óptica con silicona RTV para evitar que ingrese agua al conducto. Deje secar. La unidad ya está lista para funcionar.
 6. Instale el iluminador y conecte el cable de fibra óptica según las instrucciones suministradas con el iluminador.

Sección 6. Cómo poner el sistema en funcionamiento

6.1 Instalar el conjunto de jet

1. Desconecte la tapa a presión instalada en la manguera flexible de PVC.

NOTA: Debe probarse la presión del sistema antes de ponerlo en funcionamiento.

2. Enjuague las líneas de agua para eliminar los residuos. Las líneas deben estar libres de residuos antes de conectar el conjunto del jet laminar.

NOTA: La pantalla de protección de los dedos está instalada en el conector debajo de la tapa. Extraiga la pantalla de protección de los dedos cuando enjuague la línea y vuelva a instalarla antes de instalar el conjunto del jet laminar.

3. Conecte la tuerca en la manguera flexible del conjunto del jet laminar y la unión roscada de la manguera flexible conectada al bote del jet de la plataforma.

6.2 Configuración del jet

1. Coloque el conjunto del jet en el bote y alinee los soportes de montaje al cuello.
2. Asegúrese de que la válvula de ajuste de caudal esté abierta. Para ello, gírela en sentido antihorario hasta que se detenga con un destornillador o una llave de cubo de 1/2" (12,7 mm).
3. Active el agua a una tasa reducida y llene la unidad lentamente. Cuando la unidad esté llena, aumente el suministro de agua hasta que el caudal del jet llegue al objetivo previsto.

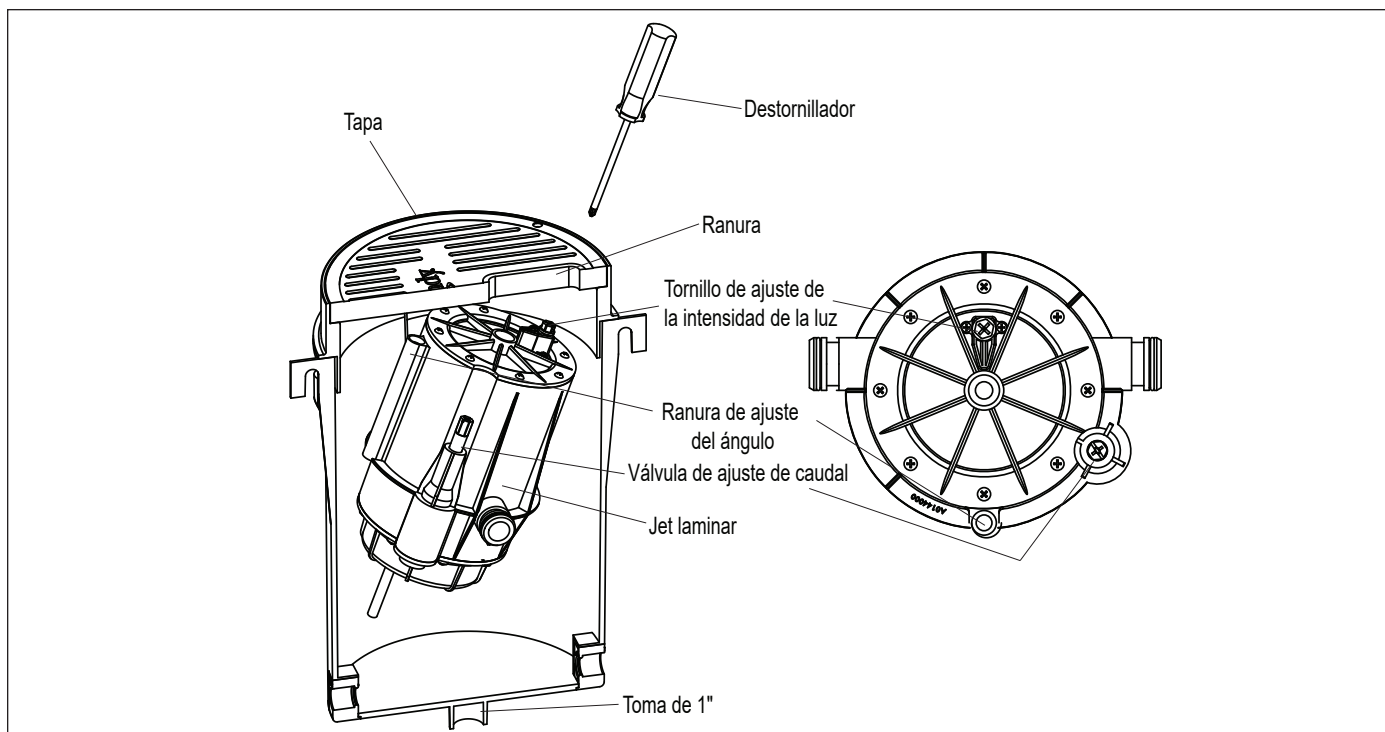


Figura 10. Ajuste de luces y caudal del jet laminar

- Use la válvula de ajuste de caudal para hacer ajustes finos en la altura general del agua de los chorros.

NOTA: Los jets laminares son sensibles al viento, a los movimientos de la tierra y a la vibración de los equipos. Fije el jet laminar y el bote de la plataforma para minimizar las vibraciones. La distorsión periódica del flujo provocada por las vibraciones de la bomba y las fluctuaciones eléctricas del motor es normal y no indica un defecto de la boquilla. Además, ocasionalmente una boquilla puede “borbotear” debido a que se junta aire bombeado en el cuerpo de la boquilla. Esto es normal y ocurrirá hasta que se purgue todo el aire del sistema de tuberías. El aire atrapado también puede provocar una leve distorsión en la acción del agua. Es fundamental eliminar todo el aire para asegurar un funcionamiento adecuado de la función con agua.

- Para ajustar el ángulo del chorro, mueva el jet laminar hacia arriba o hacia abajo a fin de aumentar o reducir el ángulo con la mano o con un destornillador en la ranura de ajuste.

NOTA: El ángulo puede ajustarse aproximadamente 10°.

- El jet laminar está instalado sobre (2) pivotes. Afloje los tornillos de seguridad para ajustar el ángulo del chorro. Cuando el ángulo y la ubicación del chorro le resulten satisfactorios, apriete los tornillos de seguridad.
- Fije la tapa del bote de la plataforma al cuello del bote de la plataforma con dos (2) tornillos Phillips de cabeza plana de acero inoxidable n.º 10 por 1½ pulgadas (38 mm).

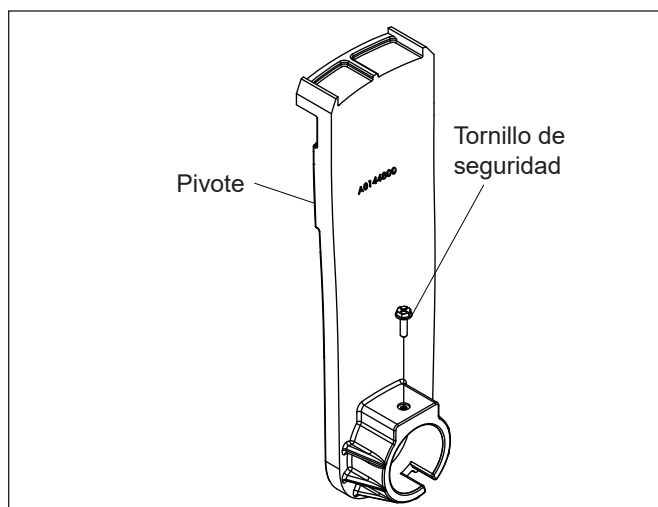


Figura 11. Ubicación de los tornillos de seguridad

NOTA: Se recomienda perforar orificios piloto de 1/8" (3 mm) en la tapa. A continuación, es posible enroscar los tornillos en los orificios. Esto completará la instalación y fijará el jet para que no se mueva.

Sección 7. Cómo operar el jet laminar con luces LED

7.1 Para operar la luz y cambiar de color

Encienda la luz. La primera vez que se encienda la luz, la secuencia de colores comenzará con blanco alpino. Para cambiar el color, apague la luz y vuelva a encenderla antes de transcurridos tres (3) segundos. Continúe apagando y encendiendo hasta llegar al modo de color deseado.

Tabla 2. Jet laminar Jandy con secuencia de luces LED

Orden secuencial	Modos de color
1	Blanco alpino
2	Azul cielo
3	Azul cobalto
4	Azul caribe
5	Verde primavera
6	Verde esmeralda
7	Rosa esmeralda
8	Magenta
9	Violeta
10	Salpicadura lenta de colores
11	Salpicadura rápida de colores
12	Los bellos Estados Unidos
13	Carnaval
14	Disco tecno

NOTA: Cuando la luz esté apagada durante más de siete (7) segundos, permanecerá en el conjunto de colores actualmente activo. Cuando la luz vuelva a encenderse, la luz estará en el mismo conjunto de colores.

7.2 Para restablecer al principio de la secuencia de colores

Apague la luz, espere de (4) a seis (6) segundos y enciéndala. La luz regresará al principio del ciclo de colores (blanco alpino).

NOTA: Si se está utilizando un sistema de control AquaLink® RS, el color establecido puede seleccionarse con el controlador.

NOTA: Para sincronizar los colores en múltiples sistemas de luces Jandy WaterColors y jets laminares con luces LED Jandy cableados a interruptores separados, lleve a cabo las acciones anteriores en todos los interruptores en simultáneo. Todas las luces de Jandy WaterColors y todas las luces del jet laminar con luces LED Jandy se sincronizarán automáticamente si se activan mediante el mismo interruptor. No se requieren otros accesorios.

Sección 8. Configuración de la intensidad de la luz

8.1 Conjunto de ajuste de la intensidad de la luz

NOTA: La intensidad de las luces LED puede ajustarse según sus preferencias. Un mayor caudal de agua provocará una alteración mayor del flujo del jet laminar y creará una luz más intensa.

1. Use el tornillo de ajuste de la intensidad de la luz conectado al raspador para ajustar la intensidad de la luz.
2. Para aumentar la intensidad de la luz, gire el tornillo en sentido antihorario para aumentar el caudal de agua que sale del raspador. Este flujo de agua altera la superficie del caudal del jet laminar y provoca un aumento en la intensidad de la luz.

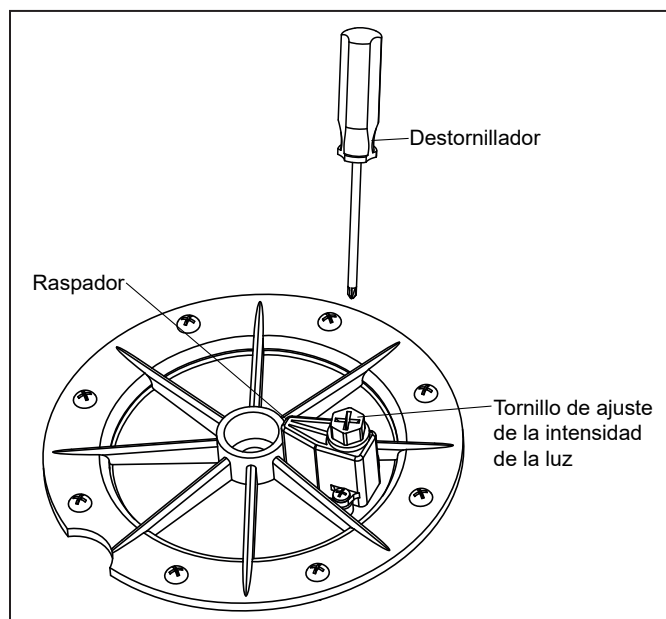


Figura 12. Conjunto del raspador y tornillo de ajuste de la intensidad de la luz

NOTA: Los jets laminares son sensibles al viento, a los movimientos de la tierra y a la vibración de los equipos. Fije el jet laminar y el bote de la plataforma para minimizar las vibraciones. La distorsión periódica del flujo provocada por las vibraciones de la bomba y las fluctuaciones eléctricas del motor es normal y no indica un defecto de la boquilla. Además, ocasionalmente una boquilla puede “borbotear” debido a que se junta aire bombeado en el cuerpo de la boquilla. Esto es normal y ocurrirá hasta que se purgue todo el aire del sistema de tuberías. El aire atrapado también puede provocar una leve distorsión en la acción del agua. Es fundamental eliminar todo el aire para asegurar un funcionamiento adecuado de la función con agua.

Sección 9. Mantenimiento general y resolución de problemas

PRECAUCIÓN

El conjunto del motor de luces del jet laminar Jandy está sellado y en consecuencia no contiene piezas a las que pueda darse servicio. Para evitar riesgos de daños materiales y lesiones, no debe intentarse el servicio en el conjunto del motor de luces si hay fallas. Debe reemplazarse todo el conjunto del motor de luces.

Lleve a cabo un mantenimiento de rutina en el filtro para asegurar el funcionamiento óptimo de la boquilla. Tenga cuidado de no permitir que ingresen residuos en las tuberías de entrada al limpiar los filtros.

NOTA: Enjuague siempre las líneas después de limpiar y retrolavar los filtros.

9.1 Obstrucción de la pantalla de protección de los dedos

1. Si la pantalla de protección de los dedos se obstruye con residuos que provocan la distorsión del flujo, extraiga el conjunto del jet laminar. Para ello, desatornille los dos (2) tornillos de retención de la tapa del bote de la plataforma.
2. Extraiga la tapa del bote de la plataforma y el conjunto del jet y colóquelos sobre la plataforma. Desconecte la unión ubicada en la manguera flexible conectada a la parte inferior del conjunto del jet.
3. Extraiga la pantalla de protección de los dedos de la unión y límpiela con una manguera de jardín.

NOTA: Evite daños en la abertura de la boquilla. Después de la limpieza, vuelva a instalar las uniones.

9.2 Preparación para el invierno

El jet laminar puede prepararse para el invierno en las regiones que lo requieren.

1. Extraiga el conjunto de la tapa del bote de la plataforma y desatornille la unión de ½ pulgada (13 mm).
2. Enrosque la tapa en la manguera flexible conectada al bote de la plataforma. A continuación, el jet laminar puede volver a colocarse en el bote de la plataforma o puede guardarse en un lugar de almacenamiento. Si se deja en el bote de la plataforma, aplique cinta sobre la abertura de la ranura para asegurarse de que no ingrese agua al sistema. Si se utiliza cable de fibra óptica, asegúrese de extraer la tuerca de retención del conector impermeable de la parte inferior del conjunto del jet.

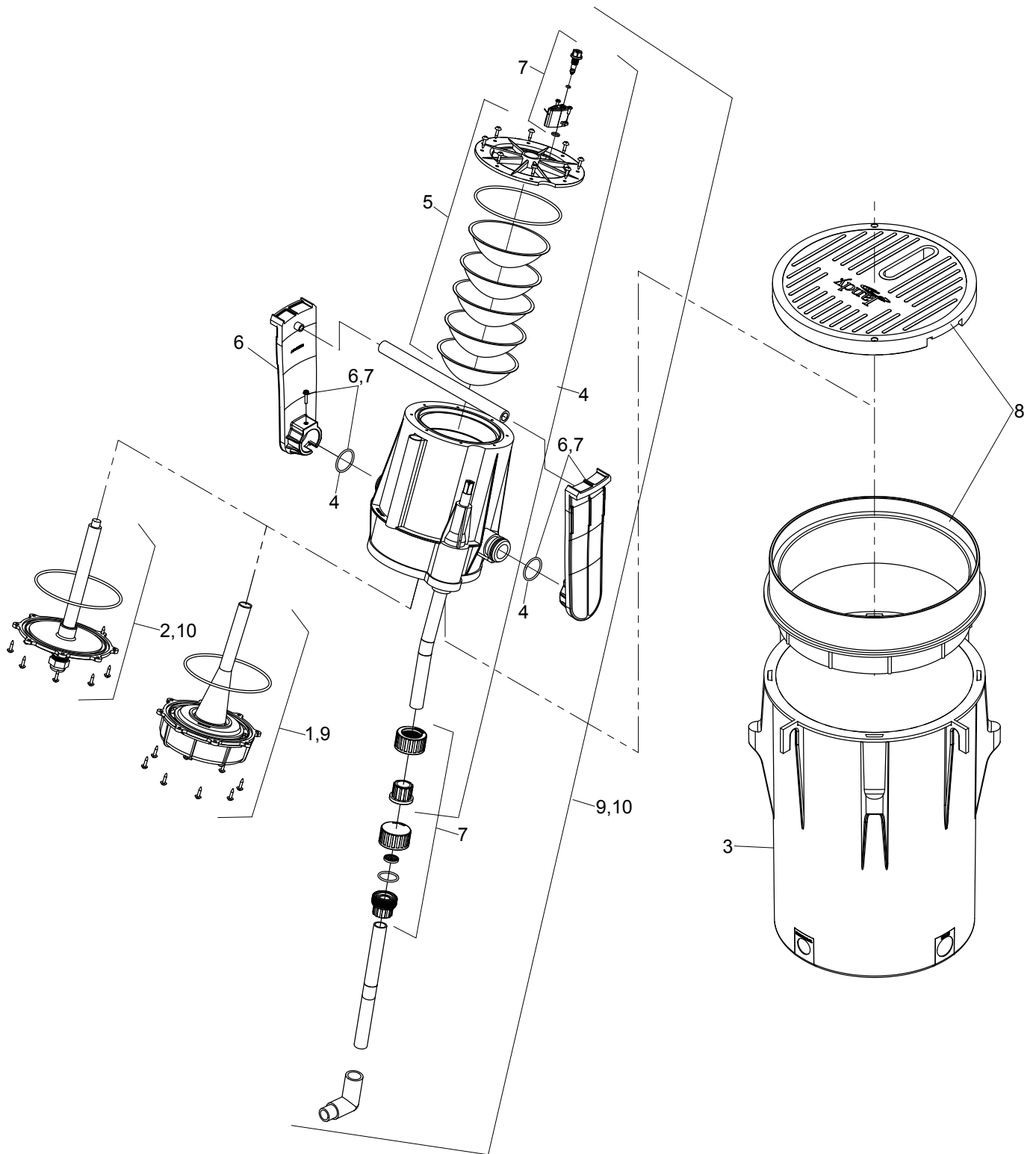
Sección 10. Lista de piezas y vista ampliada

10.1 Lista de piezas

N.º de clave	Descripción	Modelo	N.º de pedido de la pieza
1	Conjunto del motor de luces LED RGBW, jet laminar	Todos	R0961200
2	Conjunto de fibra óptica, jet laminar	Todos	R0488900
3	Bote de la plataforma, jet laminar	Todos	R0489100
4	Conjunto del jet, jet laminar (sin módulo de luces)	Todos	R0489200
5	Cubierta y pantallas (5), conjunto del jet laminar	Todos	R0489300
6	Soportes de montaje y tornillería, jet laminar	Todos	R0489500
7	Kit de reconstrucción, toda la tornillería, raspador, pantalla de protección de los dedos y uniones	Todos	R0490000
8	Tapa y cuello, guijarros, jet laminar	Todos	JLPBL
	Tapa y cuello, peltre, jet laminar	Todos	JLPWTR
9	Jet laminar con kit de reemplazo de las luces LED RGBW	Todos	R0960900
10	Kit de reacondicionamiento del jet laminar con fibra óptica	Todos	R0500300

NOTA: Si el cable eléctrico del conjunto de luces LED se daña, debe reemplazarse todo el conjunto del motor de las luces LED (R0960900).

10.2 Vista ampliada



Zodiac Pool Systems LLC
2882 Whiptail Loop # 100
Carlsbad, CA 92010

Fluidra Group Australia Pty Ltd
219 Woodpark Road
Smithfield, NSW AU 2164

EE. UU. | Jandy.com | 1.800.822.7933
AUS | Zodiac.com.au | 1.800.688.552

©2021 Zodiac Pool Systems LLC. Todos los derechos reservados. ZODIAC® es una marca comercial registrada de Zodiac International, S.A.S.U., utilizada bajo licencia. Todas las demás marcas comerciales son propiedad de sus respectivos dueños.

H0771400_REVA