

3 Seat Bar Top

Have your own swim up bar with a simple drop-in design.

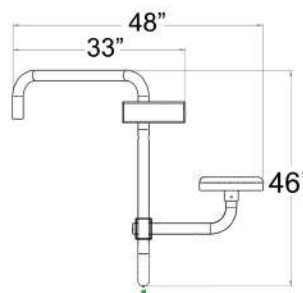
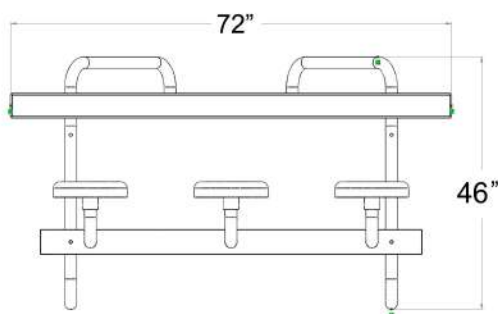
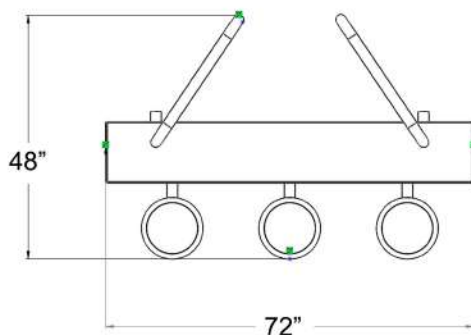


The Over the Edge 3 Seat Bar Top is a versatile high grade swim up style bar you can mount in most existing ladder anchors to upgrade your pool experience. Enhance the look of your pool with the addition of the 3 seater swim up bar to enjoy time with friends and family, pool side. The 5 seat bar top easily slips in and out of most existing anchor sleeves for your convenience.

- 💧 304 Stainless Steel Construction
- 💧 Fits most standard ladder anchor sleeves
- 💧 Quick & Easy assembly and installation
- 💧 Seats 3 Comfortably



| Model No. | Description | Width | Height | Length |
|-----------------|---|-------|--------|--------|
| GPPOTE-3ST-SV-S | 3 SEAT BAR SILVER VEIN POWDER COATED FRAME - GRAY TOP | 48" | 46" | 72" |
| GPPOTE-3ST-CV-S | 3 SEAT BAR COPPER VEIN POWDER COATED FRAME - TAN TOP | | | |
| GPPOTE-3ST-SV | 3 SEAT BAR SILVER VEIN POWDER COATED FRAME - GRANITE GRAY TOP | 122cm | 117cm | 183cm |
| GPPOTE-3ST-CV | 3 SEAT BAR COPPER VEIN POWDER COATED FRAME - GRANITE SAND TOP | | | |



684 N. Port Crescent St., Suite C, Bad Axe, MI 48413
 P 989-269-5900 | TF 866-712-0606 | global-poolproducts.com