

Function

Most pool designs can be complimented with this versatile cast in place jet. Sparkling streams from a wide arch, graceful, but with significant mass and form. Single jets can act as accents while groups will form a strong focal point of water, light and sound.

For in deck mounting the jet is 40° from vertical giving a graceful low arch ideal for large pools.

For in wall mounting the jet is 40° from horizontal, allowing a similar arch but the source of the water is hidden below the coping.

Specifications

WMT110

Construction of basic jet shall be cast bronze, brass and stainless steel with copper ground lug. Nozzle is removable for periodic cleaning.

Water inlet: 2 x 1-1/2" N.P.T female

Hardware included:

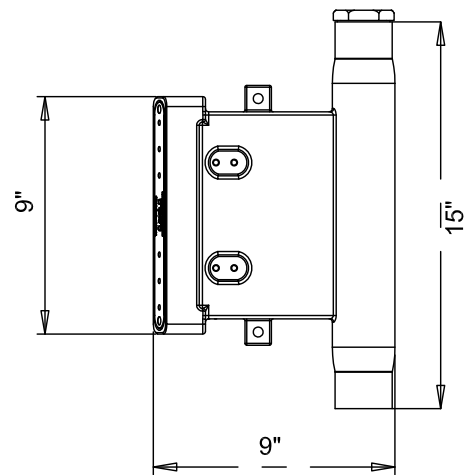
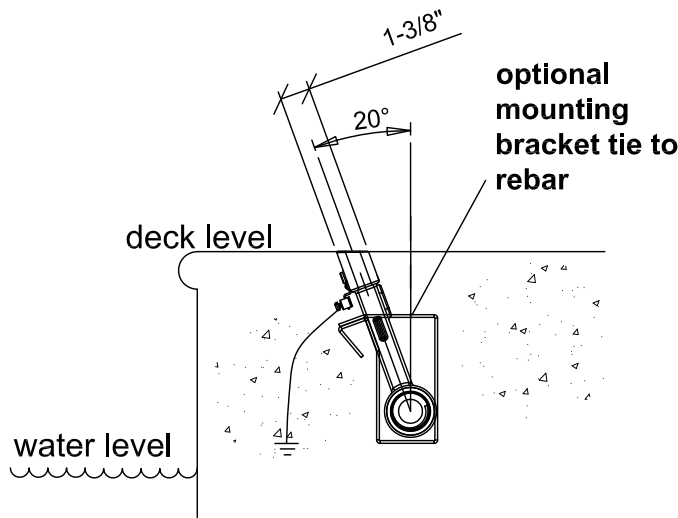
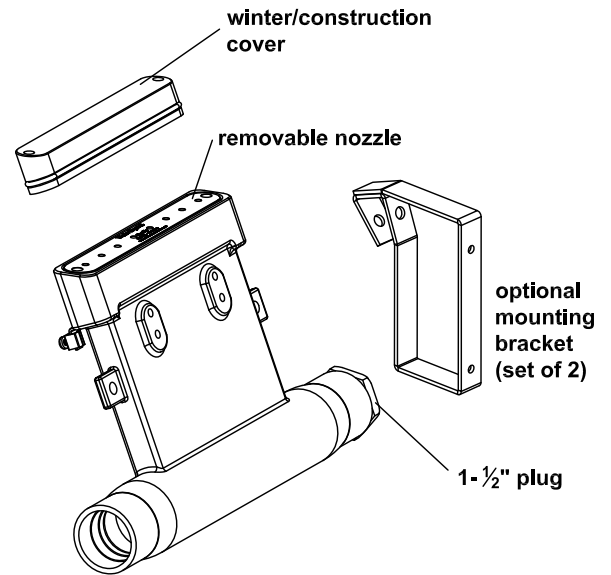
1. 1-1/2" PVC plug for proper plumbing
2. PVC nozzle cover for construction and winterization

Options

1. Mounting brackets to be ordered separately (part no. WMT108, set of 2 brackets c/w. fasteners)
2. B.S.P.T inlets available, Contact Crystal Fountains

Notes

1. To prevent nozzle plugging due to debris, fine pump inlet screening (strainer openings 0.04") is recommended.
2. For interactive play do not exceed 20 feet per second (13.77 GPM).
3. Two 3/8"-16 bolts are required to lift nozzle insert, Bolts not included, minimum length 1".
4. Winter / construction cover is not a pressure rated cover .



PROPRIETARY AND CONFIDENTIAL

THE INFORMATION CONTAINED IN THIS DRAWING IS THE SOLE PROPERTY OF CRYSTAL FOUNTAINS INC. ANY REPRODUCTION IN PART OR AS A WHOLE WITHOUT THE WRITTEN PERMISSION OF CRYSTAL FOUNTAINS INC. IS PROHIBITED.

CUT SHEET
WMT110-D101

PAGE
1 OF 2

www.crystalfountains.com



**WMT110
FYREFLY JET
20° VERTICAL DECK MOUNT**

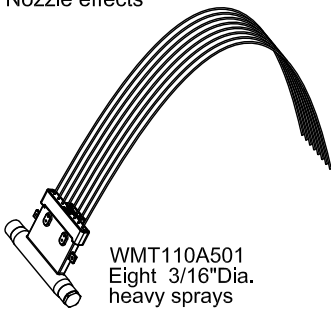
SERIES
WMT

REV.
M
AUG 2018

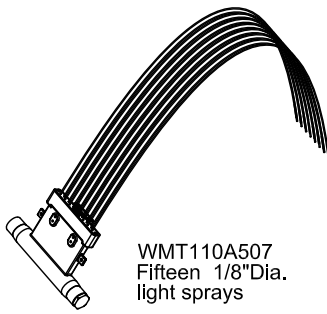
TEL. 1-905.660.6674

FAX. 1-905.660.6916

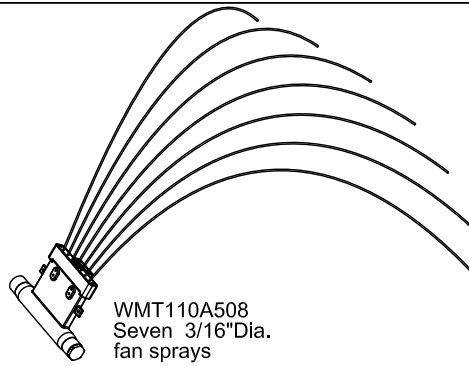
Nozzle effects



WMT110A501
Eight 3/16" Dia.
heavy sprays



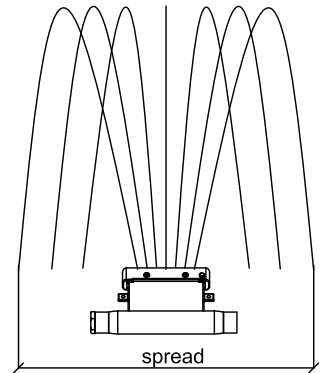
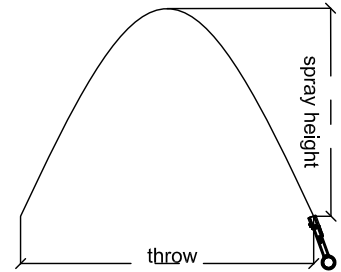
WMT110A507
Fifteen 1/8" Dia.
light sprays



WMT110A508
Seven 3/16" Dia.
fan sprays

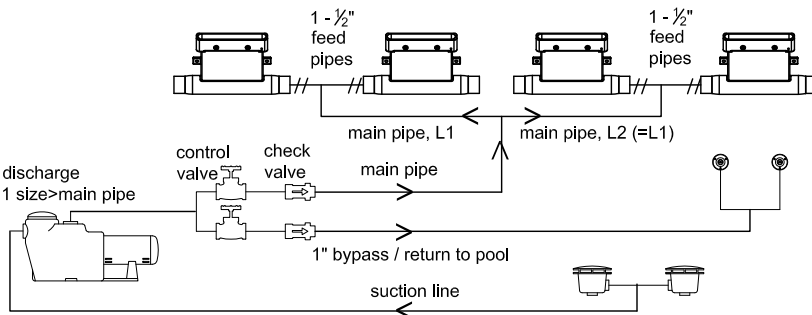
Performance

Throw, ft(m)			2 (0.6)	4 (1.2)	6 (1.8)	8 (2.4)	10 (3.0)	12(3.7)
Nozzle	WMT110A501	spray height, ft(m)	1.4 (0.4)	2.8 (0.8)	4.4 (1.3)	6.0 (1.8)	7.8 (2.4)	9.4 (2.9)
		US gpm (LpM)	8.0 (30.2)	11.5 (43.5)	14.4 (54.4)	17.0 (64.2)	18.4 (69.5)	21.2 (80.1)
		head, ft(mwc)	3.0 (0.9)	5.5 (1.7)	8.2 (2.5)	11 (3.4)	13.8 (4.2)	16.8 (5.1)
	WMT110A507	spray height, ft(m)	1.4 (0.4)	3.0 (0.9)	4.5 (1.4)	6.1 (1.8)	7.0 (2.1)	7.5 (2.3)
		US gpm (LpM)	5.7 (21.6)	8.3 (31.4)	10.1 (38.2)	11.9 (44.9)	12.5 (48.1)	13.4 (50.7)
		head, ft(mwc)	2.5 (0.8)	5.1 (1.6)	7.2 (2.2)	9.7 (3.0)	11.1 (3.4)	12.7 (3.9)
	WMT110A508	spray height, ft(m)	1.4 (0.4)	3 (0.9)	4.5 (1.4)	6.0 (1.7)	7.2 (2.2)	7.8 (2.4)
		US gpm (LpM)	5.8 (22.0)	8.3 (31.4)	11.7 (44.8)	13.6 (51.5)	14 (53.8)	14.8 (56.0)
		head, ft(mwc)	2.3 (0.7)	4.2 (1.3)	7.2 (2.2)	9.2 (2.8)	10.4 (3.2)	12.2 (3.7)
spread, ft (m)		3.1 (0.9)	5.4 (1.6)	7.7 (2.3)	10 (3.0)	12 (3.6)	13.8 (4.2)	



Quick Pipe and Pump Sizing

no. of jets	main pipe diameter	suction pipe diameter	pump		
			US gpm (Lpm)	head,ft (mwc)	hp (kW)
1	1-1/2"	1-1/2"	21.5 (83.2)	28 (8.5)	1/2 (0.37)
2	2"	2"	42.5 (164.5)	31 (9.5)	3/4 (0.56)
4	2-1/2"	2-1/2"	85 (329.0)	35 (10.6)	2(1.49)



Sizing based on 50 ft of main pipe, 50 ft. of suction line and 1 ft. feed pipes. If number of jets is an odd number (e.g. 3, 5) or greater than 4, a manifold should be used. Manifold and main pipe sizes should be the same. Lengths of all feed pipes should be the same.

Build Your 20° Vertical Deck Mount FyreFlyJet:
To order, use table below and specify Part Numbers

Series #
WMT110

Next step:
Add a nozzle

Nozzle part number
WMT110A501 (Eight 3/16" Dia. heavy spray)
WMT110A507 (Fifteen 1/8" Dia. light spray)
WMT110A508 (Seven 3/16" Dia. fan spray)



PROPRIETARY AND CONFIDENTIAL
THE INFORMATION CONTAINED IN THIS DRAWING IS THE SOLE PROPERTY OF CRYSTAL FOUNTAINS INC. ANY REPRODUCTION IN PART OR AS A WHOLE WITHOUT THE WRITTEN PERMISSION OF CRYSTAL FOUNTAINS INC. IS PROHIBITED.

CUT SHEET
WMT110-D101

PAGE
2 OF 2



WMT110
FYREFLY JET
20° VERTICAL DECK MOUNT

SERIES
WMT

REV.
M
AUG 2018

TEL. 1-905.660.6674

FAX. 1-905.660.6916