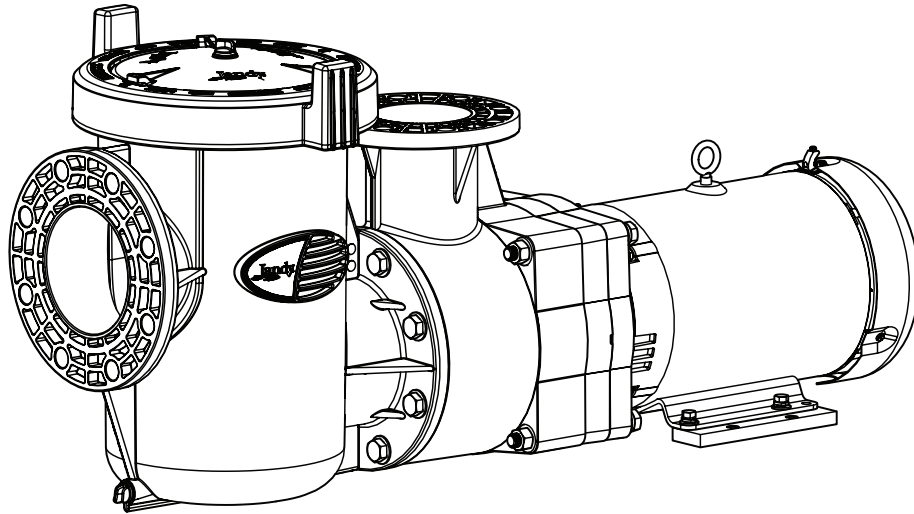




INSTALLATION AND OPERATION MANUAL

ENGLISH | FRANÇAIS | ESPAÑOL



JCP Series High Performance Commercial Pumps

JCP05-1CT-N	JCP05-1CT-S
JCP07-1BD-N	JCP07-1BD-S
JCP05-3AT-N	JCP05-3AT-S
JCP07-3AT-N	JCP07-3AT-S
JCP10-3AT-N	JCP10-3AT-S
JCP15-3AT-N	JCP15-3AT-S

⚠ WARNING

FOR YOUR SAFETY - This product must be installed and serviced by a contractor who is licensed and qualified in pool equipment by the jurisdiction in which the product will be installed where such state or local requirements exist. The maintainer must be a professional with sufficient experience in pool equipment installation and maintenance so that all of the instructions in this manual can be followed exactly. Before installing this product, read and follow all warning notices and instructions that accompany this product. Failure to follow warning notices and instructions may result in property damage, personal injury, or death. Improper installation and/or operation may void the warranty.



Improper installation and/or operation can create unwanted electrical hazard which can cause serious injury, property damage, or death.

ATTENTION INSTALLER - This manual contains important information about the installation, operation and safe use of this product. This information should be given to the owner/operator of this equipment.

Table of Contents

Section 1. Important Safety Instructions 3	Section 5. Maintenance and Storage 14
1.1 Safety Instructions..... 3	5.1 Maintenance..... 14
1.2 Pool Pump Suction Entrapment Prevention Guidelines 5	5.2 Storage..... 14
Section 2. General Description 6	Section 6. Servicing 15
2.1 JCP Series Pump Operations..... 6	6.1 Required Tools..... 15
Section 3. Mechanical and Electrical Installation and Pressure Testing 7	6.2 Replacement Parts..... 15
3.1 Pump Handling..... 7	6.3 Alternate Parts..... 15
3.2 Pump Location 7	6.4 Pump Disassembly..... 15
3.3 Mechanical Installation..... 8	6.5 Pump Assembly..... 17
3.4 Electrical Installation..... 8	Section 7. Troubleshooting and Repair..... 18
3.5 Strainer Pot Service 10	Section 8. Replacement Parts List..... 21
3.6 Pressure Testing, Strainer Pot..... 11	8.1 JCP R-Kit List 24
Section 4. Jandy JCP Pump Operation 13	Section 9. Product Dimensions..... 28
4.1 Priming 13	Section 10. Product Specifications..... 30
	10.1 Specifications 30
	Section 11. Technical Data 31

EQUIPMENT INFORMATION RECORD	
DATE OF INSTALLATION	_____
INSTALLER INFORMATION	_____
INITIAL PRESSURE GAUGE READING (WITH CLEAR FILTER)	_____
PUMP MODEL	_____
HORSEPOWER	_____
NOTES:	_____

Section 1. Important Safety Instructions

READ AND FOLLOW ALL INSTRUCTIONS

1.1 Safety Instructions

All electrical work must be performed by a licensed electrician and conform to all national, state, and local codes. When installing and using this electrical equipment, basic safety precautions should always be followed, including the following:

⚠ WARNING

RISK OF SUCTION ENTRAPMENT HAZARD, WHICH, IF NOT AVOIDED, CAN RESULT IN SERIOUS INJURY OR DEATH. Do not block pump suction, as this can cause severe injury or death. Do not use this pump for wading pools, shallow pools, or spas containing bottom drains, unless the pump is connected to at least two (2) functioning suction outlets. Suction outlet (drain) assemblies and their covers must be certified to the latest published edition of ANSI®/ASME® A112.19.8, or its successor standard, ANSI/APSP-16.

⚠ WARNING

To reduce the risk of injury, do not permit children and/or people with reduced physical, sensory or mental capabilities or lack of experience to use this product.

⚠ WARNING

To reduce the risk of property damage or injury, do not attempt to change the valve position with the pump running.

⚠ WARNING

Jandy pumps are powered by a high voltage electric motor and must be installed by a licensed or certified electrician or a qualified swimming pool service technician.

⚠ WARNING

Due to the potential risk of fire, electric shock, or injuries to persons, Jandy pumps must be installed in accordance with the National Electrical Code® (NEC®), all local electrical and safety codes, and the Occupational Safety and Health Act (OSHA). Copies of the NEC may be ordered from the National Fire Protection Association, 1 Batterymarch Park, Quincy, MA 02169, or from your local government inspection agency.

⚠ WARNING

RISK OF ELECTRIC SHOCK, FIRE, PERSONAL INJURY, OR DEATH. (For all permanently installed units intended for use on 15 or 20 ampere, 120 through 240 volt, single phase branch circuits). Connect only to a branch circuit that is protected by a ground-fault circuit-interrupter protection for personnel (GFCI). Contact a qualified electrician if you cannot verify that the circuit is protected by a GFCI. A GFCI should be provided by the installer and should be tested on a routine basis. To test the GFCI, push the test button. The GFCI should interrupt power. Push the reset button. Power should be restored. If the GFCI fails to operate in this manner, the GFCI is defective. If the GFCI interrupts power to the pump without the test button being pushed, a ground current is flowing, indicating the possibility of electrical shock. Do not use the device. Disconnect the device and have the problem corrected by a qualified service representative before using.

⚠ WARNING

Incorrectly installed equipment may fail, causing severe injury, property damage or death.

⚠ WARNING

- Do not connect the system to an unregulated city water system or other external source of pressurized water producing pressures greater than 35 PSI.
- Trapped air in system can cause the filter lid to be blown off, which can result in death, serious personal injury, or property damage. Be sure all air is out of the system before operating.

⚠ WARNING

Jandy® pool equipment is pressure tested at the factory. Local codes may require the pool piping system to be subjected to a pressure test. **BE SURE TO COMPLY WITH THE FOLLOWING SAFETY INSTRUCTIONS:**

- Check all clamps, bolts, lids, lock rings and system accessories to ensure they are properly installed and secured before testing.
- **RELEASE ALL AIR** in the system before testing.
- Water pressure for test must **NOT EXCEED 35 PSI**.
- Water temperature for test must **NOT EXCEED 100°F (38°C)**.
- Limit test to 24 hours. After test, visually check system to be sure it is ready for operation.

NOTICE: These parameters apply to Jandy equipment only. For non-Jandy equipment, consult equipment manufacturer.

⚠ WARNING

Chemical spills and fumes can weaken pool/spa equipment. Corrosion can cause filters and other equipment to fail, resulting in severe injury or property damage. Do not store pool chemicals near your equipment.

⚠ CAUTION

Do not start pump dry! Running the pump dry for any length of time will cause severe damage and may void the warranty.

⚠ CAUTION

This pump is for use with permanently installed pools and may also be used with hot tubs and spas, if so marked. Do not use with storable pools. A permanently installed pool is constructed in or on the ground or in a building such that it cannot be readily disassembled for storage. A storable pool is constructed so that it may be readily disassembled for storage and reassembled to its original integrity.

⚠ CAUTION

Do not install within an outer enclosure. The pump requires adequate ventilation to maintain air temperature at less than the maximum ambient temperature rating listed on the motor rating plate.

⚠ CAUTION

In order to avoid premature failure or damage to the pump motor, protect the pump from direct water exposure from sprinklers, water runoff from rooftops and drainage, etc. Failure to comply may cause pump failure, and may also void warranty.

⚠ WARNING

SUCTION HAZARD. Can cause serious injury or death. Do not use this pump for wading pools, shallow pools or spas containing bottom drains, unless the pump is connected to at least two (2) functioning suction outlets.

SAVE THESE INSTRUCTIONS

1.2 Pool Pump Suction Entrapment Prevention Guidelines

CAUTION

The performance of Jandy pumps is based upon clear, cold, fresh water with suction conditions as shown on the performance curve. If used to pump other liquids, pump performance may differ from rated performance based on the different specific gravity, temperature, viscosity, etc. of the liquid being pumped. A standard pump may not be safe for pumping all types of liquids, such as toxic, volatile or chemical liquids, or liquids under extreme temperatures or pressures. Please consult Jandy catalogs as well as local codes and general references to determine the appropriate pumps for your particular application. Since it is impossible for us to anticipate every application of a Jandy pump, if you plan to use the pump for a non-water application, consult Jandy beforehand to determine whether such application may be proper or safe under the circumstances. Failure to do so could result in property damage or personal injury.

WARNING

Pump suction is hazardous and can trap and drown or disembowel bathers. Do not use or operate swimming pools, spas, or hot tubs if a suction outlet cover is missing, broken, or loose. The following guidelines provide information for pump installation that minimizes risk of injury to users of pools, spas, and hot tubs:

Entrapment Protection - The pump suction system must provide protection against the hazards of suction entrapment.

Suction Outlet Covers - All suction outlets must have correctly installed, screw-fastened covers in place. All suction outlet (drain) covers must be properly maintained. They must be replaced if cracked, broken, or missing. Drain covers must be listed/certified to the latest published edition of ANSI®/ASME® A112.19.8 or its successor standard, ANSI/APSP-16. The pool must be shut down and bathers must be restricted from entering the pool until any cracked, broken, or missing drain covers are replaced.

Number of Suction Outlets Per Pump - Provide at least two (2) hydraulically-balanced suction outlets, with covers, as suction outlets for each circulating pump suction line. The centers of the suction outlets (suction outlets) on any one (1) suction line must be at least three (3) feet apart, center to center. See Figure 1.

The system **must** be built to include at least two (2) suction outlets (drains) connected to the pump whenever the pump is running. However, if two (2) suction outlets run into a single suction line, the single suction line may be equipped with a valve that will shut off both suction outlets from the pump. The system shall be constructed such that it shall not allow for separate or independent shutoff or isolation of each drain. See Figure 1.

Additional pumps can be connected to a single suction line as long as the requirements above are met.

Water Velocity - The maximum water velocity through the suction outlet assembly and its cover for any suction outlet must not exceed the suction outlet assembly and its cover's maximum design flow rate. The suction outlet (drain) assembly and its cover must comply with the latest version of ANSI®/ASME® A112.19.8, the standard for Suction Fittings For Use in Swimming Pools, Wading Pools, Spas, and Hot Tubs, or its successor standard, ANSI/ASME APSP-16.

Testing and Certification - Suction outlet covers must have been tested by a nationally recognized testing laboratory and found to comply with the latest published edition of ANSI/ASME A112.19.8 or its successor standard, ANSI/APSP-16, the standard for *Suction Fittings For Use in Swimming pools, Wading Pools, Spas, and Hot Tubs*.

Fittings - Fittings restrict flow; for best efficiency use fewest possible fittings (but at least two (2) suction outlets).

Avoid fittings that could cause an air trap.

Pool cleaner suction fittings must conform to applicable International Association of Plumbing and Mechanical Officials (IAPMO) standards.

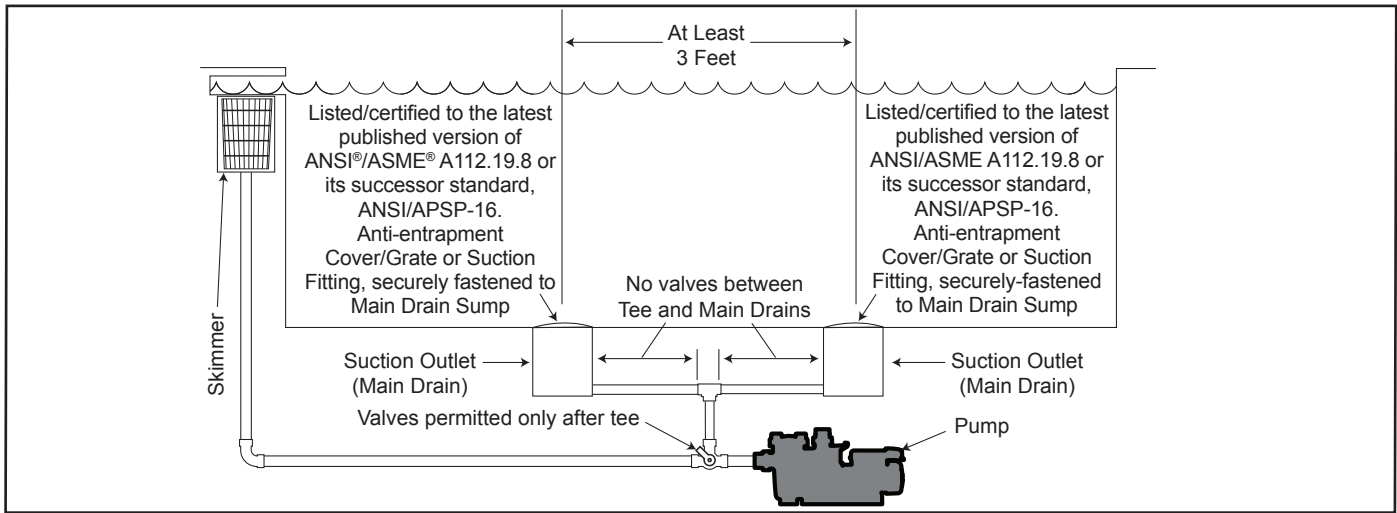


Figure 1. Proper Pump Suction Plumbing

Section 2. General Description

2.1 JCP Series Pump Operations

Jandy has created the new standard in commercial polymer pumps. The JCP series pump is engineered from the ground up to outperform the competition and provide years of quiet, efficient service. Our unique impeller and diffuser system delivers unparalleled priming performance while still achieving the hydraulic pump curves you demand. The JCP series also delivers several features which make it easy to use and service.

Competitive Features

- Drop-in replacement for C-series and EQ-series pumps.
- Easy-to-source motor replacements (standard JM-frame)
- Locking strainer lid with a robust, dependable radial seal o-ring.
- Unique strainer lid fitting to allow pressure or suction release.
- Standard, easily sourced Jandy drain-plugs.
- Spare parts kits to help service the pump faster.

Pump Technical Features

- Bolt-on optional strainer assembly
- 6" Suction and 4" Discharge ANSI flange connections
- NSF listed
- 316 SS/EPDM Type 2100 Mechanical Seal
- Type 21 Mechanical Seal Compatible
- Stainless Steel Hardware

Motor Technical Features

- Three Phase Motor Specs
 - Class H Insulation
 - AEGIS® Shaft Grounding Ring
 - Stainless Steel Shaft Sleeve w/ Loctite® 648 Compound
 - TEFC Motor Construction
 - NEMA JM Frame
 - NEMA Premium Efficiency
 - Fluidra Patented Bonding Lug
 - Inverter Ready: 20:1 VT & 4:1 CT
 - F-1 Mounting
 - Sealed Bearings
- Single Phase Motor Specs
 - Class F Insulation
 - TEFC Motor Construction (5HP)
 - ODP Motor Construction (7.5HP)
 - NEMA JM Frame
 - NEMA Standard Efficiency
 - Stainless Steel Shaft Sleeve w/ Loctite® 648 Compound
 - Fluidra Patented Bonding Lug
 - F-1 Mounting
 - Sealed Bearings

Section 3. Mechanical and Electrical Installation and Pressure Testing

3.1 Pump Handling

1. Remove the corrugated box stapled to the crate and disassemble the crate using an electric drill with a philips head bit.
2. Remove the 4 bolts holding the motor's base to the bottom of the crate.
3. See Figures 2-5 for hoist positions to lift the pump from the crate and into its final position. Some motors may have eye bolts located on the top of the motor. Do not use eye bolts solely to hoist the pump. Holes located on the inlet and outlet flanges must also be used as lifting locations. If the motor does not have an eye bolt, use straps to lift the pump.

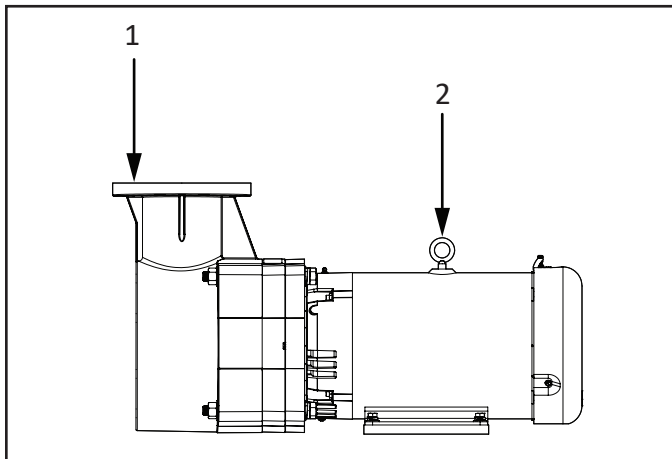


Figure 2. JCP - No Strainer Lift Points

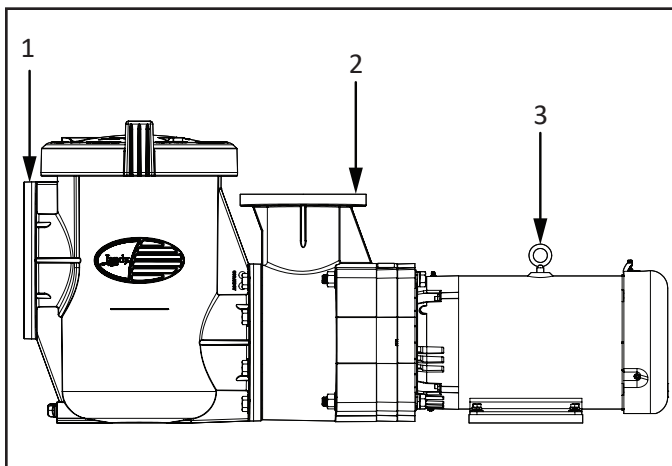


Figure 3. JCP With Strainer Lift Points

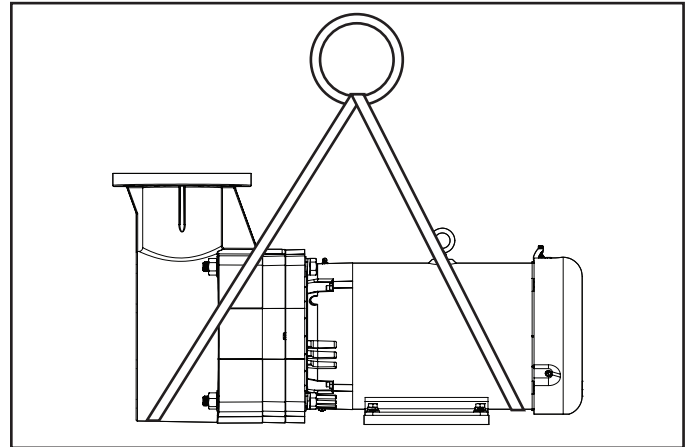


Figure 4. JCP - No Strainer Strap Positions

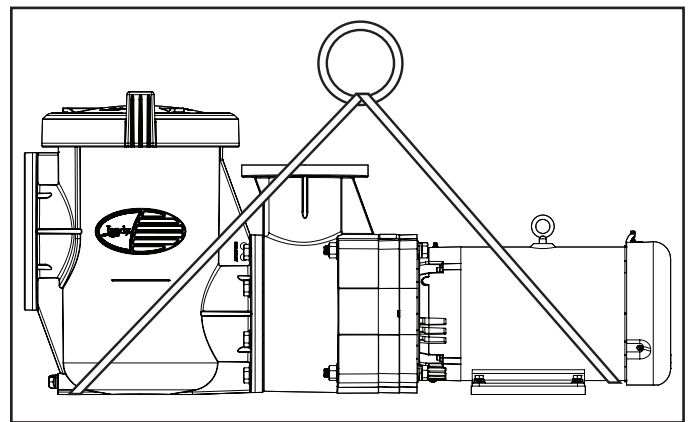


Figure 5. JCP With Strainer Strap Positions

3.2 Pump Location

1. Locate the pump as close as possible to the pool (never more than 10 feet above pool water level).
2. Install on a rigid foundation, preferably 2" or more above ground level. To further reduce the possibility of vibration noise, bolt the pump to the foundation.
3. Provide the necessary space around the pump for future inspection and servicing of the unit. It is recommended that a louvered housing is used to protect exposed motors from the sun and rain. Allow for ventilation. Housing should clear the motors by a minimum of 10" at all points.

⚠ WARNING

To Reduce the Risk of Fire, install pool equipment in an area where leaves or other debris will not collect on or around the equipment. Keep surrounding area clear of all debris such as paper, leaves, pine-needles and other combustible materials.

⚠ CAUTION

In order to avoid premature failure or damage to the pump motor, protect the pump from direct water exposure from sprinklers, water runoff from rooftops and drainage, etc. Failure to comply may cause pump failure, and may also void warranty.

3.3 Mechanical Installation

1. Carefully remove the pump assembly (or pump and strainer pot assembly) from its shipping packaging.
2. Determine the installation location of the pump and strainer pot assembly. Ensure that adequate space and lighting is provided for routine maintenance.
3. It is good practice to install a valve on the suction line before this unit and on the return line after the pump so that both items can be isolated for routine maintenance.
4. Check that a section of straight pipe, with a length that is five times its diameter, is installed between the suction side of the pump and the first elbow. See Figure 8.
5. Suction lines should be as large as the suction port of the pump. All piping must be air tight. Keep all suction lines below pool water level until just before the pump. Suction lines should slope toward the pump.
6. Connect the pump to the suction pipe using a 6" ANSI-150 flange kit. Tighten the flange bolts to no more than 20-foot pounds. Excessive torque may damage the pump.
7. Connect the pump to the discharge pipe using a 4" ANSI-150 flange kit. Tighten the flange bolts to no more than 20-foot pounds. Excessive torque may damage the pump.
8. The weight of the piping should be supported independently and not carried by the pump.

9. Plan carefully the layout of adjacent plumbing including cutting pipe to the exact length and ensuring that the flange will be aligned and square with the strainer pot or pump assembly. Note that the strainer pot must be installed so that water flow travels into the upper flange and out the bottom flange.

NOTE: If the strainer pot assembly is installed as a stand alone unit, another straight piece of pipe at least 76 cm (30") long should be installed to connect the strainer assembly to the pump housing. Glue plumbing in place once you are certain that fit ups are correct.

⚠ CAUTION

Use large diameter flat washers (at least 1-5/16 in. outer diameter) between the hex nut and the strainer pot assembly flanges to properly distribute the clamping forces on the flanges. Tighten the flange bolts to 27.1 newton meter (20 ft-lb) unless otherwise specified by the flange manufacturer. If it is not possible to use a torque wrench then care should be taken not to over tighten the flange bolts. Failure to follow the above instructions can result in damaging the strainer pot flanges.

⚠ CAUTION

Suction and discharge piping must be supported by an appropriate system of supports or hangers. Inadequately supported pipe can cause excessive loads to be transmitted to the strainer pot assembly resulting in a structural failure that could result in flooding and property damage.

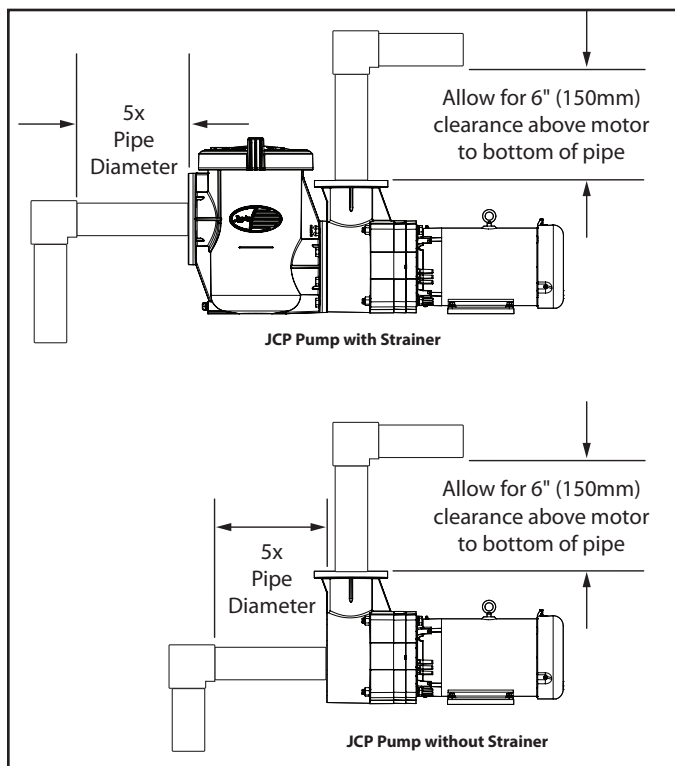


Figure 6. Jandy JCP Pipe Clearance

3.4 Electrical Installation

⚠ WARNING

Single phase pump models include built-in manual reset thermal overload protection to shut off the motor in the event the temperature becomes excessive (as a result of mechanical or electrical problems; such as low voltage, poor ventilation, overloaded lines, etc.). The motor thermal protection must be manually reset to commence operation after overload conditions have been corrected.

3-Phase pump motors are NOT thermally protected. Motor protection must be provided by the installer in accordance with local code.

3.4.1 Voltage Checks

Note: Do not try to connect three-phase motors to single phase power supply or single phase motors to three-phase power supply.

The correct voltage, as specified on the pump data plate, is necessary for proper performance and long motor life. Incorrect voltage will decrease the pump's ability to perform and could cause overheating, reduce the motor life, and result in higher electric bills.

It is the responsibility of the electrical installer to provide data plate operating voltage to the pump by ensuring proper circuit sizes and wire sizes for this specific application.

The National Electrical Code® (NEC®, NFPA-70®) requires all 120 through 240 volt single phase pool pump circuits be protected with a Ground Fault Interrupter (GFCI). Therefore, it is also the responsibility of the electrical installer to ensure that the pump circuit is in compliance with this and all other applicable requirements of the National Electrical Code (NEC) and any other applicable installation codes.

⚠ CAUTION

Failure to provide data plate voltage (+/- 10%) during operation will cause the motor to overheat and may void the warranty.

3.4.2 Bonding and Grounding

⚠ WARNING

ELECTRICAL SHOCK HAZARD

Turn off all switches and the main breaker in the pump electrical circuit before starting the procedure. Failure to comply may cause a shock hazard resulting in severe personal injury or death.

In addition to being properly grounded as described in the *Electrical Wiring* section, and in accordance with the requirements of the National Electrical Code (NEC), or in Canada the Canadian Electrical Code (CEC), the pump motor must be bonded to all metal parts of the swimming pool, spa or hot tub structure and to all electrical components and equipment associated with the pool/spa water circulation system. See Figure 7.

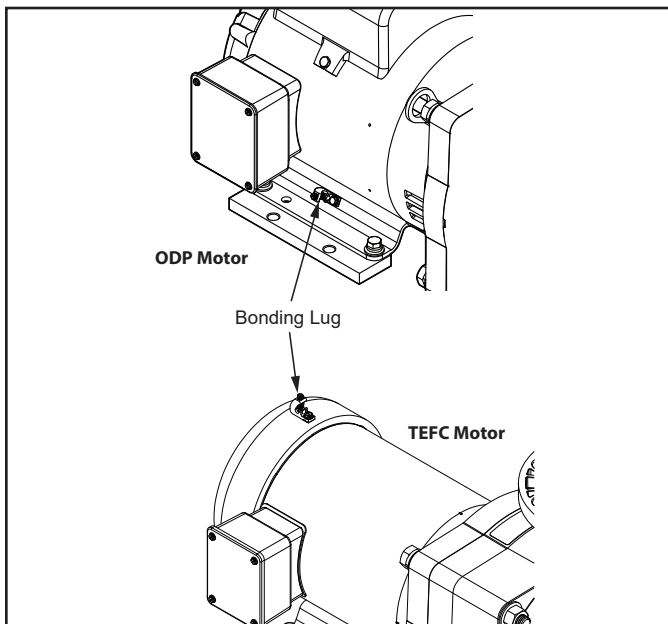


Figure 7. Bonding Lug Location

The bonding must be accomplished by using a solid copper conductor, No. 8 AWG or larger. In Canada No. 6 AWG or larger must be used. Bond the motor using the external bonding lug provided on the motor frame.

National Electrical Code® (NEC®) requires bonding of the Pool Water. Where none of the bonded pool equipment, structures, or parts are in direct connection with the pool water; the pool water shall be in direct contact with an approved corrosion-resistant conductive surface that exposes not less than 5800 mm² (9 in²) of the surface area to the pool water at all times. The conductive surface shall be located where it is not exposed to physical damage or dislodgement during usual pool activities, and it shall be bonded in accordance with the bonding requirements of NEC Article 680. Refer to locally enforced codes for any additional bonding requirements

⚠ WARNING

Always disconnect the power source before working on a motor or its connected load.

⚠ WARNING

Make sure that the control switch, time clock, or control system is installed in an accessible location, so that in the event of an equipment failure or a loose plumbing fitting, the equipment can be turned off. This location must not be in the same area as the pool pump, filter, and other equipment.

3.4.3 Electrical Wiring

1. Secure the ground wire to the pump using the green screw provided. Ground before attempting to connect to an electrical power supply. Do not ground to a gas supply line.
2. Wire size must be adequate to minimize voltage drop during the start-up and operation of the pump.
3. Insulate all connections carefully to prevent grounding or short-circuits. Sharp edges on terminals require extra protection. For safety, and to prevent entry of contaminants, reinstall all conduit and terminal box covers. Do not force connections into the conduit box.

Wiring

Note: Due to wide variation in electrical equipment, power equipment, power supply, and installation requirements, this manual does not make specific recommendations concerning auxiliary equipment or fusing/wiring.

IMPORTANT NOTE: Confirm the direction of the pump motor rotation matches the directional arrow on the pump body. Failure to do so may cause pump failure, and may also void warranty. Check wiring diagram to determine if the motor can be field-wired to rotate in both directions.

Wire sizing, wire type, branch circuit fuse protection, motor starter, control equipment, and related items must meet National Electrical Code and local code requirements.

Motors are supplied by several manufacturers and nameplate data (service factor, maximum amperage, etc.) will vary. Consult control manufacturer and motor nameplate on your pump to correctly choose and size motor starter and control equipment for your particular installation. Specific electrical questions or problems should be addressed to the manufacturer of the electrical component in question.

Emergency Shutoff

Install an Emergency Shutoff Switch near pool. Clearly mark this switch and mount it in a location that is accessible to bathers or pool operating personnel (e.g. lifeguards). Make sure that all lifeguards and pool personnel understand the switch's use in case of emergency (entrapment, electrical malfunction, etc.).

3.5 Strainer Pot Service

1. Make sure the pump is turned off if it is being controlled by a variable frequency drive.
2. Make sure the circuit breaker that powers the pump motor is turned off.

⚠ CAUTION

The pump must be permanently connected to a dedicated electrical circuit. No other equipment, lights, appliances, or outlets may be connected to the pump circuit.

⚠ WARNING

ELECTRICAL SHOCK HAZARD

Turn off all switches and the main breaker in the pump electrical circuit before starting the procedure. Failure to comply may cause a shock hazard resulting in severe personal injury or death.

⚠ WARNING

ELECTRICAL SHOCK HAZARD

Due to the potential risk of fire, electric shock, or injuries to persons, Jandy® Pumps must be installed in accordance with the National Electrical Code® (NEC®), all local electrical and safety codes, and the Occupational Safety and Health Act (OSHA). Copies of the NEC may be ordered from the National Protection Association, 1 Batterymarch Park, Quincy, MA, 02169, or from your local government inspection agency.

In Canada, Jandy pumps must be installed in accordance with the Canadian Electrical Code (CEC).

3. Make sure all necessary isolation valves are closed to prevent pool water from reaching the pump.
4. Carefully remove the plug and O-ring seal located in the center of the lid. This will allow the pressure inside the pump to equalize with the pressure in the room.

IMPORTANT NOTE: Failure to remove the lid's center plug before service will significantly increase the difficulty of assembling or disassembling the lid and may cause the lid's lifting tabs to break.

5. Follow the markings on the locking ring. Using both handles, slowly turn the locking ring counterclockwise until the lid and locking ring disengage from the pump housing. See Figure 8.

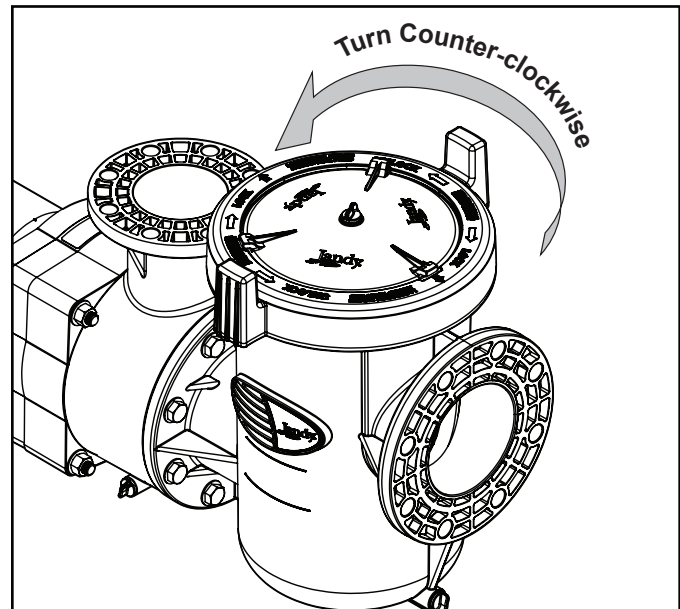


Figure 8. Disengage Lock Ring

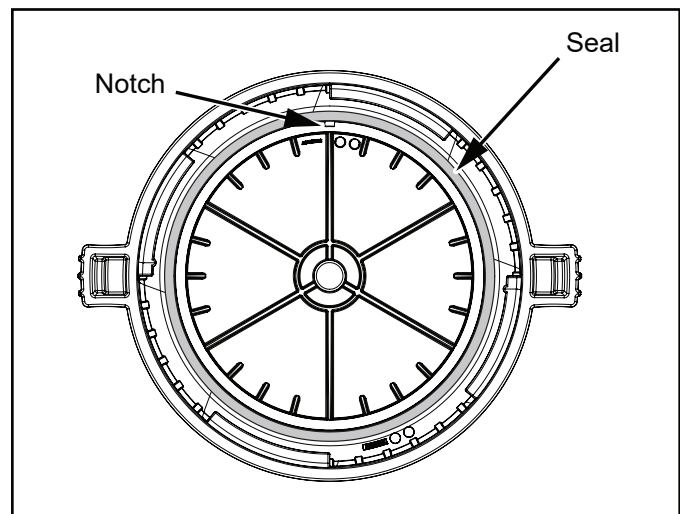


Figure 9. O-ring in Lid Assembly

6. The lid assembly will disengage the pump body after approximately 45 degrees of rotation.
7. Inspect the O-ring located in the lid for debris or damage. See Figure 9. If necessary, insert a flat head screw driver through the notch to assist in removing the O-ring. If there is any evidence of degradation, debris impregnation, or tearing of the O-ring, replace the seal immediately. Use only silicone based O-ring lubricants to assist in assembly.
8. The strainer basket may be removed and emptied. Ensure the basket is lined up properly with the strainer's inlet port when placing the basket back into the strainer pot. See Figure 10.
9. To reassemble the lid, align the arrows that indicate "Port" approximately 45 degrees counterclockwise from the inlet port. Turn the lid clockwise until the lid engages the pump body and the handles are perpendicular to the ports. The arrows will align with the ports. Install the lid's center plug and seal.

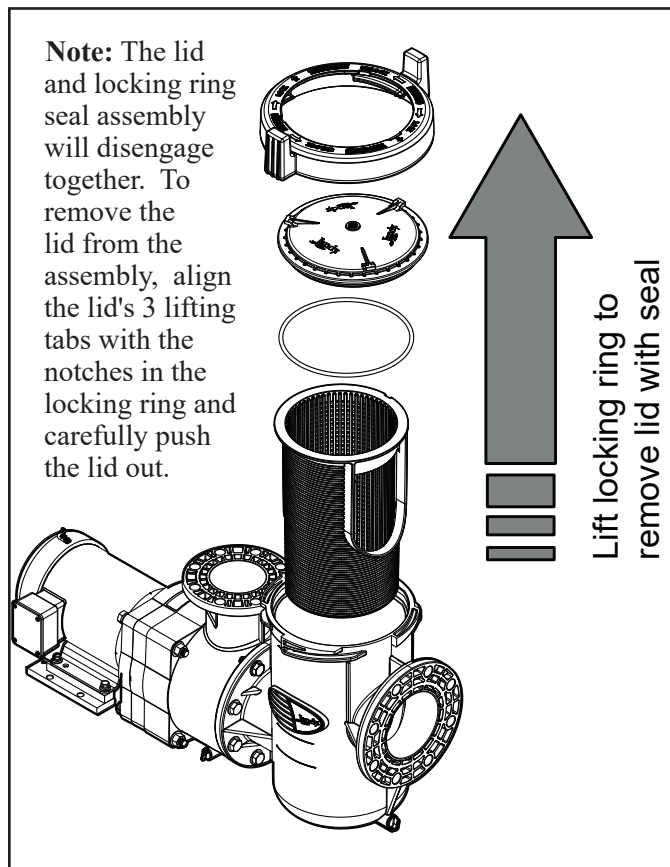


Figure 10. Exploded View of Pump

3.6 Pressure Testing, Strainer Pot

Certain local codes require that the circulation system be pressure tested with a proof pressure before being commissioned into service or before allowing construction to progress to the next stage.

⚠ WARNING

This strainer pot is intended to operate on the suction side of the pump and must not be installed on the pressure side of a circulation system. Extreme caution should be taken when applying pressure to this product during a system pressure test. Exceeding the pressure or temperature rating during the pressure test can result in a structural failure. A structural failure of the strainer pot assembly can cause the instantaneous release of energy causing failed components to be accelerated to high velocities and to travel distances of 30.5 m (100 feet) or more. These components could cause severe personal injury or death if they were to strike a person.

⚠ WARNING

It is important that the lid and locking ring are in the closed position before performing a pressure test. Instructions engraved on the locking ring show the locked position when the ports are in line with the arrows with the word "port" engraved on the locking ring. If the lid and locking ring are not installed and in the correct position a structural failure can occur causing sever personal injury or death.

⚠ WARNING

Improperly pressure testing a circulation system can involve significant risk of property damage or severe personal injury or death. Circulation systems store energy when pressure tested due to the elastic nature of the materials used in construction and due to the compressibility of air that may be contained in the system. The instructions below should be considered a guide only. Each installation should be considered a unique situation that should be carefully investigated for risk.

⚠ WARNING

Never test this equipment with air pressure even if specified by the local code. Even low levels of air pressure result in tremendous storage of energy that can instantaneously be released if a system failure occurs. This instantaneous release of energy can cause failed components to be accelerated to high velocities and to travel distances of 30.5 m (100 feet) or more. These components could cause severe personal injury or death if they were to strike a person.

1. Understand the local code. The intent of the code may be to ensure that the piping system with its many bonded joints is leak free. Piping systems typically have a higher pressure capability than the other system components such as the pump or filter. Do not pressure test this product unless the code specifically requires this.
2. Verify that each component in the system is designed to meet the local code test pressure. Most components should be marked with a maximum operating pressure. If a component is not marked consult the Owner's Instructions that came with the component or consult the manufacturer.

⚠ WARNING

When pressure testing a system with water, air is often trapped in the system during the filling process. This air will compress when the system is pressurized. Should the system fail, this trapped air can propel debris at a high speed and cause injury. Every effort to remove trapped air must be taken, including opening the bleed valve on the filter and loosening the pump basket lid while filling the pump.

⚠ WARNING

Trapped air in the system can cause the filter lid to be blown off, which can result in death, serious injury, or property damage. Be sure all air is properly purged out of the system before operating. **DO NOT USE COMPRESSED AIR TO PRESSURE TEST OR CHECK FOR LEAKS.**

⚠ WARNING

ELECTRICAL SHOCK HAZARD

Do not pressure test above 35 PSI. Pressure testing must be done by a trained pool professional. Circulation equipment that is not tested properly might fail, which could result in severe injury or property damage.

⚠ WARNING

When pressure testing the system with water, it is very important to make sure that the pump basket lid is completely secure.

3. Fill the system with water to eliminate trapped air.
4. Pressurize the system with water to no more than **35 PSI**.
5. Close the valve to seal the water in the system.
6. Observe the system for any leaks or pressure decay.
7. If there are lid leaks, repeat this procedure. For Jandy Technical Support, call 800.822.7933

Section 4. Jandy JCP Pump Operation

CAUTION

Never run the pump without water. Running the pump “dry” for any length of time can cause severe damage to both the pump and motor and may void the warranty.

WARNING

To avoid risk of property damage, severe personal injury or death, verify that all power is turned off before starting this procedure.

If this is a new pool installation, make sure all piping is clear of construction debris and has been properly pressure tested. The filter should be checked for proper installation, verifying all connections and clamps are secure according to the manufacturer's recommendations.

1. Release all pressure from the system and open the filter pressure release valve.
2. Depending on the location of the pump, do one of the following:
 - If the pump is located below the water level of the pool, remove the plug in the strainer pot lid or remove the filter pressure relief valve to prime the pump with water.
 - If the pump is located above the water level of the pool, remove the lid and fill the basket with water before starting the pump.
3. Prior to replacing the lid, check for debris around the lid O-ring seat. Debris around the lid O-ring seat will cause air to leak into the system and will make it difficult to prime the pump.
4. Hand-tighten the lid to make an air tight seal. Do not use any tools to tighten the lid: hand-tighten only. Make sure all valves are open and the flange bolts are tight.
5. Restore power to the pump. Then turn on the pump.
6. Confirm direction of motor rotation matches the directional arrow on the pump. Failure to do so may cause pump failure, and may also void warranty. Check wiring diagram to determine if motor can be wired to rotate in both directions.
7. Once all the air has left the filter, close the pressure release valve.
8. The pump should prime within ten minutes. The time it takes to prime will depend on the elevation and length of pipe used on the suction supply pipe.
9. If the pump does not prime and all the instructions to this point have been followed, check for a suction leak. If there is no leak, repeat Steps 2 through 7.

For technical assistance, call Jandy Technical Support at 800.822.7933.

4.1 Priming

Fill the strainer pot with water before starting. This may be done through the 1/4" NPS threaded port in the top of the lid, or by removing the lid and locking ring. This is necessary to allow pump to prime and to prevent permanent damage. Except in freezing weather always keep liquid in the pump. No further lubrication of the pump end is necessary including the seal assembly. If flow does not start within ten minutes, stop motor and determine cause. Be sure all suction and discharge valves are open when the pump is running. Operating the pump with a closed valve in the system will cause pump damage.

Section 5. Maintenance and Storage

5.1 Maintenance

CAUTION

A misaligned basket will cause the lid to be improperly seated, allowing an air leak, which could result in pump damage.

The strainer built into the pump should be inspected and cleaned daily. These strainers are easy to clean. Follow the instructions printed on the locking ring.

1. Remove the lid's center plug and seal.
2. Turn the locking ring counter-clockwise until the lid and locking ring come free from the strainer pot.
3. Inspect the lid O-ring for damage and replace if necessary.
4. Remove the basket and clean.
5. Install the lid and locking ring by turning clockwise until the arrows printed on the locking ring align with the pump inlet and outlet ports. When properly locked, the locking ring should click into place and the handles should be perpendicular to the pump ports.
6. Install the lid's center plug and seal.
7. The electric motor has sealed bearings and requires no lubrication maintenance.

5.2 Storage

CAUTION

The pump **must** be protected when freezing temperatures are expected. Allowing the pump to freeze will cause severe damage and may void the warranty.

CAUTION

Do not use antifreeze solutions in the pool, spa, or hot tub systems! Antifreeze is highly toxic and may damage the circulation system. The only exception to this is Propylene Glycol. For more information, see your local pool/spa supply store or contact a qualified swimming pool service company.

If the pool is deactivated for an extended period of time, care must be taken to protect the pump and motor from damage and exposure. If storage is necessary for an extended period, place the motor and impeller assembly in a warm, dry location.

NOTE: Make sure power is turned off at the control panel. Drain the pump by removing both drain plugs. Disconnect the suction and discharge lines at the flange connections, then move unit to warm, dry indoor location.

When activating the pump again, reverse the above procedures. Replace the O-ring between the strainer pot and pump housing if damaged. Install drain plugs. Check the pump shaft for free movement. Prime the pump as above and check the rotation of pump shaft.

Section 6. Servicing

6.1 Required Tools

- Tape Measure
- Level
- Gloves
- Eye Protection
- Silicon O-ring Lubricant
- Multimeter
- Amp Meter
- Wire Strippers
- Torque Wrench
- 1/4" Nut Driver
- 5/16" Nut Driver
- Flat Head Screwdriver
- Hammer
- 15/16" Box End Wrench/Socket
- 9/16" Box End Wrench/Socket
- 7/16" Box End Wrench/Socket
- 3/4" Socket Wrench
- 5/16" Allen Wrench

6.2 Replacement Parts

This unit is designed to provide maximum electrical safety. To assure continued protection against shock hazard use only identical factory supplied replacement parts when servicing.

6.3 Alternate Parts

The Jandy JCP series pump was designed with commonly sized hardware, seals, and NEMA JM frame motors. A comprehensive list of materials can be found in the "Parts List" section of this manual and contains general descriptions of all fasteners, seals, and motors needed to assemble the pump properly.

- **Shaft Seal:** The JCP series pump was designed to use a 1-1/4" type 2100 or Type 21 mechanical seal with a spring working length of 1.062 inches and ceramic height of 0.436 inches.
- **Motors:** The JCP series pump uses industry standard NEMA JM frame motors for maximum versatility. It is recommended that you replace the motor with the Jandy replacement motor as identified in the Replacement Parts section. Any motor purchased as an alternate for the JCP series pumps must have identical electrical ratings, compliance certifications, duty ratings, and must be equipped with a Jandy stainless steel shaft sleeve.

- **Fasteners:** Jandy has made every effort to utilize standard stainless steel hardware in the JCP series pump. Most fasteners are SAE and of common size, length, and thread pitch. If you are replacing the Jandy factory fastener, please make sure it is identical in size, thread, head size, etc.
- **Other Pump Components:** In order to maintain peak performance of your pump, Jandy highly recommends only using genuine factory replacement parts. Do not use parts from other pump brands or generic parts, unless they are referenced in this manual.

6.4 Pump Disassembly

WARNING

This pump must be serviced by a professional service technician qualified in pool/spa installation. The following procedures must be followed exactly. Improper installation and/or operation can create dangerous electrical hazards, which can cause high voltages to run through the electrical system. This can cause property damage, serious personal injury, and/or death. Improper installation and/or operation may void the warranty.

WARNING

Zodiac Pool Systems LLC requires that a qualified service technician or electrician properly disconnect the electrical wiring at the pump motor.

WARNING

ELECTRICAL SHOCK HAZARD

Turn off all switches and the main breaker in the pump's electrical circuit before starting the procedure. Wait five (5) minutes after power is disconnected before opening motor. Failure to comply may cause a shock hazard, resulting in severe personal injury or death.

1. Turn off the pump. Switch off the circuit breaker to the pump motor.
2. Wait 5 minutes before opening the wiring compartment and disconnecting the power source from the pump. Zodiac Pool Systems LLC requires that a qualified service technician or electrician properly disconnect the electrical wiring at the pump motor.
3. Close all necessary valves to prevent pool water from reaching the pump. Remove the drain plugs and o-rings to drain the water from the pump.
4. Remove the flange bolts and washers from the inlet and outlet connections. Remove the fasteners holding the pump to the pad. Slide the pump away from the plumbing.

⚠ WARNING

Due to the potential risk of fire, electric shock, or injuries to persons, Jandy Pumps must be installed in accordance with the National Electrical Code® (NEC®), all local electrical and safety codes, and the Occupational Safety and Health Act (OSHA). Copies of the NEC may be ordered from the National Fire Protection Association, 1 Batterymarch Park, Quincy, MA, USA 02169-7471, or obtained from your local government inspection agency.

In Canada, Jandy Pumps must be installed in accordance with the Canadian Electrical Code (CEC®).

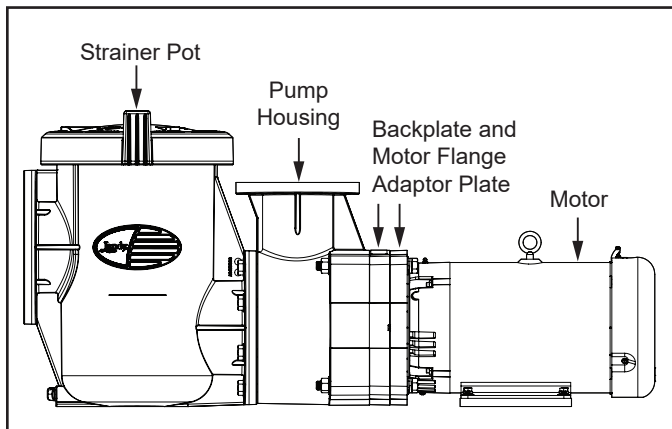


Figure 11. JCP Pump with Strainer Pot Assembly

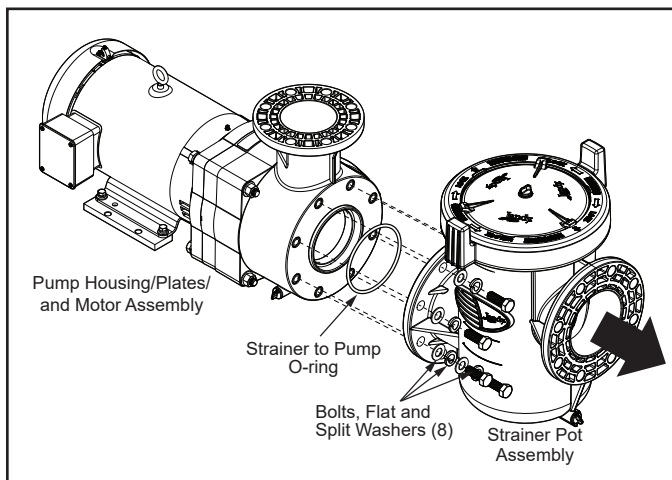


Figure 12. Remove Strainer Pot from Pump Assembly

5. Using a 15/16" wrench, loosen the eight (8) 5/8" Hex Screws securing the Strainer Pot assembly to the pump housing/motor body. See Figures 11 and 12.
6. Pull the Strainer Pot assembly forward from the Pump Housing/Plates/Motor assembly, as shown in Figure 12.
7. Remove the Strainer to Pump O-ring on the front of the Pump Housing. See Figure 12.

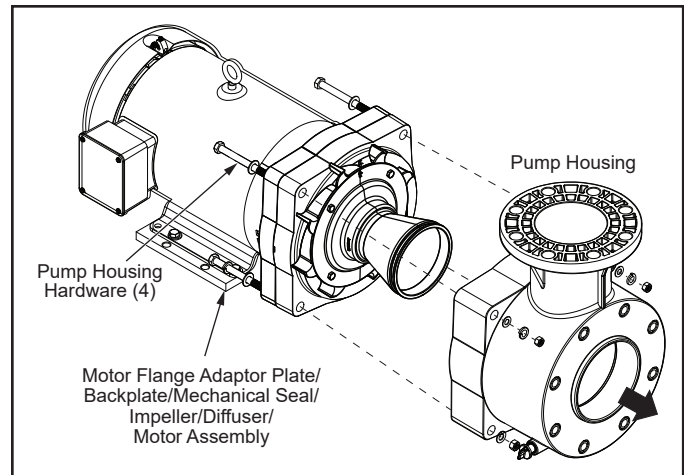


Figure 13. Remove Pump Housing

8. Using a 15/16" wrench, loosen the four (4) Hex Screws of the Pump Housing Hardware securing the Pump Housing to the Motor/ Motor Flange Adaptor Plate/Backplate/Mechanical Seal/Impeller/Diffuser assembly. See Figure 13.
9. Carefully pull the Pump Housing forward away from motor assembly. Ensure the Diffuser clears the pump housing during this process. See Figure 13.

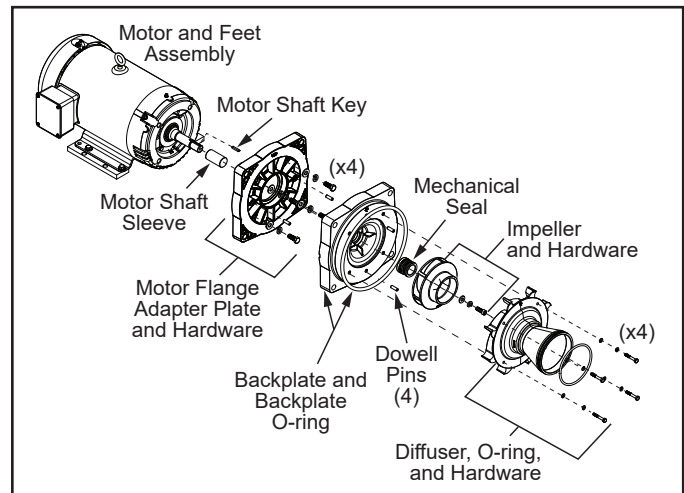


Figure 14. Remove Mechanical Seal, Impeller, Diffuser and Motor Accessories

10. Using a 7/16" wrench, loosen the four (4) Hex Screws securing the Diffuser to the Backplate. Carefully pull off the Diffuser and remove the Diffuser O-ring. See Figure 14.
11. Hold the impeller while using a 5/16" Allen key to remove the impeller bolt by turning counter clockwise.

IMPORTANT NOTE: Do not insert a tool into the impeller vanes to hold the impeller. That will damage or even destroy the impeller vanes. Hold the impeller by hand or use a strap wrench.
12. Pull the impeller and drive shaft key carefully off of the drive shaft. Be careful not to lose the drive shaft key.
13. Pull off the backplate O-ring and inspect for damage.

14. Remove the carbon face seal half from the motor shaft. This is a spring loaded seal. Grasp the portion of the seal closest to the impeller body and pull the seal off using a twisting motion.
15. Using two flat head screwdrivers, insert the ends into the two side openings between the backplate and the motor flange adapter plate. Slowly and evenly leverage the backplate forward. Take care not to damage the ceramic side seal.
16. For motors with a NEMA 182-184 JM frame, use a 9/16" socket wrench to loosen the four (4) hex screws securing the motor flange adapter plate to the motor. For NEMA 213-215 JM frames, use a 3/4" socket wrench. Carefully pull away the motor flange adapter plate avoiding any impact to the motor shaft and set aside. See Figure 14.
7. Attach the diffuser by aligning the arrow on the diffuser's front face with the arrow on the backplate. The diffuser should press onto the two alignment pins located in the backplate. Secure the diffuser using the hex bolts, split washer, and flat washer. Place the diffuser O-ring into the groove around the inlet. Ensure the O-ring is not damaged or twisted during installation. Silicon O-ring lubrication may be placed on the O-ring to assist with assembly of the pump housing.
8. Install the backplate O-ring. Ensure it is not twisted. Silicon O-ring lubrication may be placed on the O-ring to assist with assembly of the pump housing.
9. Slide the Pump Housing onto the Motor Assembly and secure with the four (4) sets of hardware (hex screws, split washers, flat washers, and nuts). Ensure the split washers are placed under the hex nut..

6.5 Pump Assembly

1. Attach the motor flange adapter plate to the motor assembly using the four sets of hardware (hex screws, split washers, and flat washers). The flange adapter plate is marked "TOP" to show the correct orientation. Ensure the motor drive shaft is not impacted during this operation.
2. Verify the two (2) dowel pins are inserted to assist with aligning the Backplate.
3. Align the backplate with the mating alignment pins in the adapter plate and with the front faced arrow pointing downward. Push the backplate onto the alignment pins until the back surface is flush with the adapter plate. Lightly tap on the backplate front face with a soft hammer or mallet if necessary.
4. Install the ceramic seal side by lubricating the seal and cup with distilled water and soap solution. Press the seal evenly and firmly down into the seal pocket by hand. Do not use O-ring lubricant to install this seal. Do not use any tools to press the seal into the pocket. Clean the surface of the ceramic with a nonabrasive cloth. Before installing the spring seal, ensure the surface of the ceramic is free of cracks, chips, and debris. If any damage is observed, replace immediately.
5. Install the spring seal side by lubricating with distilled water and soap solution. Do not use O-ring lubrication to install this seal. Do not use any tools to install this seal. Ensure the carbon side of the seal is facing the ceramic side and the rubber side is facing the impeller. By hand, slowly press the seal onto the drive shaft sleeve until the two seal surfaces nearly touch. The seal should be uncompressed and hanging over the end of the motor's drive shaft sleeve slightly.
6. Install the shaft key into the motor drive shaft slot. Align the impeller's keyway with the drive shaft key. Press the impeller onto the drive shaft. Secure the impeller with the hex socket screw, split washer, and flat washer. Slowly turn clockwise to tighten the screw until tight. The impeller will slowly press the two seal faces together and compress the spring seal into the proper position.
10. Tighten the bolts lightly in a crossing "X" pattern using a 15/16" wrench to draw the backplate to the body in an even manner. Once all the bolts are snug, tighten in the same order to 20 ft-lbs of torque.
11. Secure the Strainer Pot Assembly onto the assembled Pump Housing with motor using the eight (8) hex screws, split washers and flat washers. Tighten the bolts lightly in a crossing "X" pattern using a 15/16" wrench starting with the inner (middle) four (4) and then the outer (top and bottom) four (4) to draw the backplate to the body in an even manner. Once all the bolts are snug, tighten in the same order to 20 ft-lbs of torque.
12. If the pump is located above the water level of the pool, remove the lid and fill the basket with water before starting the pump. See "Strainer Pot Service" section for details.

NOTE To avoid leaks in system, check for debris around lid O-ring seat prior to replacing lid.

WARNING

If any valves have been previously closed, reposition each valve to avoid closure to the pump's discharge also known as "Dead Heading". Trapped air in the system can cause the filter lid to be blown off. This can result in death, serious personal injury, or property damage. Be sure all air is out of the system before operating.

13. Hand-tighten the lid to make an air tight seal. Do not use any tools to tighten the lid.
14. Ensure all drain plugs are installed and hand tight.

IMPORTANT NOTE: Failure to remove the lid's center plug before service will significantly increase the difficulty of assembling or disassembling the lid and may cause the lid's lifting tabs to break.

Section 7. Troubleshooting and Repair

Jandy strongly recommends that you call a qualified service technician to perform any repairs on the filter/pump system. To locate a qualified technician, visit jandy.com or jandy.ca.

NOTE: Never work on pump without making certain power is off.

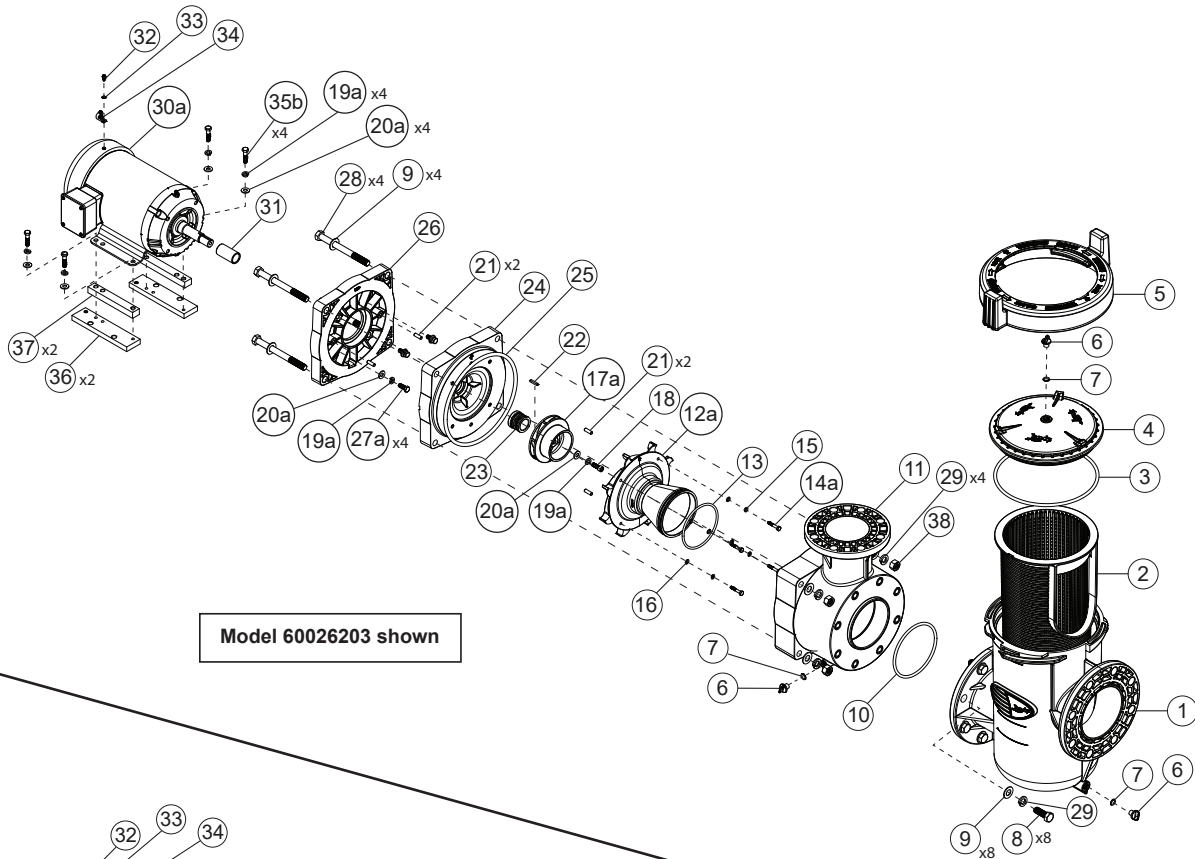
Symptom	Possible Cause	Solution
Pump will not prime	Suction air leak.	Ensure all flange bolts are tightened properly and the gaskets are positioned centrally on the flange. Verify the plumbing is level and flange connections are parallel to each other. Ensure the strainer pot lid is installed correctly and the O-ring is free of tears and all debris. If necessary, clean the O-ring with soapy water or replace. Inspect the lid for cracks. Make sure all drain plugs are tight.
	No water in pump or strainer.	Ensure the strainer pot is either installed on the pump inlet or the outlet plumbing from the strainer is on the same level as the inlet to the pump. The JCP pump is not a self priming pump unless the strainer pot is included on the suction side. The strainer must not be installed below grade of the pump. When filling the strainer pot with water, fill until the water level reaches the inlet plumbing. In flooded suction cases, the strainer may be filled higher to minimize the amount of air in the strainer pot when the pump starts. Ensure the pool water level is not below the skimmer.
	Closed valves or blocked lines.	Open all valves in the system. Clean the skimmer and pump strainer baskets. Open the pump and check for debris inside the impeller.
	Pump is too high above pool	The pump must not be more than 10ft above the pool surface. If possible, reduce the height of the pump from the surface of the water. The higher the pump is installed above the surface, the longer it will take to prime. Priming to heights of 10 ft may take up to 10 minutes. If the pump does not prime within 45 minutes, check for inlet plumbing leaks.
	Pump is too far away from pool	Check the distance from the pool and ensure a check valve is in place for long distance inlet plumbing. Check valves will keep the inlet plumbing filled with water when the pump is not operating.
	Pump spinning backwards	The proper rotation for the pump is clockwise-lead end. Ensure the motor is spinning in the same direction as indicated on the rotation labels located on the pump and motor. The motor rotation can be reversed by switching any 2 line leads for three phase motors. For single phase motors that can rotate in both directions, refer to the motor's wiring diagram.

Symptom	Possible Cause	Solution
Motor does not turn	No power to motor.	Verify all breakers are on and not in the overload position. If the pump is being controlled by a VFD, ensure the controller is on and giving power to the motor.
	Thermal protector tripped	Check the temperature of the motor, if the motor is hot the thermal protector may have turned the motor off.
	The motor is improperly connected	Check the wiring diagram and verify the configuration needed for the power source.
	Drive shaft seized	With all power off to the motor, turn the motor's drive shaft manually. The drive shaft should spin freely by hand without catching or dragging. If the drive shaft does not spin freely, disassemble the pump and repair.
Low flow	Dirty filter.	Clean filters when the back pressure is high.
	Dirty skimmer basket.	See problem 1.
	Suction air leak.	
	Closed valves or blocked lines.	
	Pump spinning backwards	
Motor runs hot	Low voltage or incorrect voltage.	Have a certified electrician check the voltage at the motor. The voltage at the motor must be within 10% of the nameplate voltage. If the voltage is outside of this range, contact the local power provider.
	Incorrect wiring, phase unbalance	Verify the wiring diagram matches the configuration used for the power supply. Verify current on all phases are nearly identical. If a phase current is notably higher than the others, the motor is operating with phase unbalance. Turn off the motor and check the wiring connections for frayed, broken, or partial conductor connections. Cut and restrip leads if necessary. Verify voltage between each phase. The voltage variation between phases should be no larger than 5%. If the connections are secure, phase voltage is similar, and a phase unbalance is still present, the motor winding insulation may be damaged and the motor must be repaired or replaced.
	Undersized wire	Increase the wire gauge for all leads going to the motor.
	Installed in direct sun.	It is best to keep the pump sheltered from direct sunlight.
	Poor ventilation.	Do not enclose the pump in a small location with minimal free air flow. Make sure that there is adequate room around the motor to circulate air and keep the motor cool.

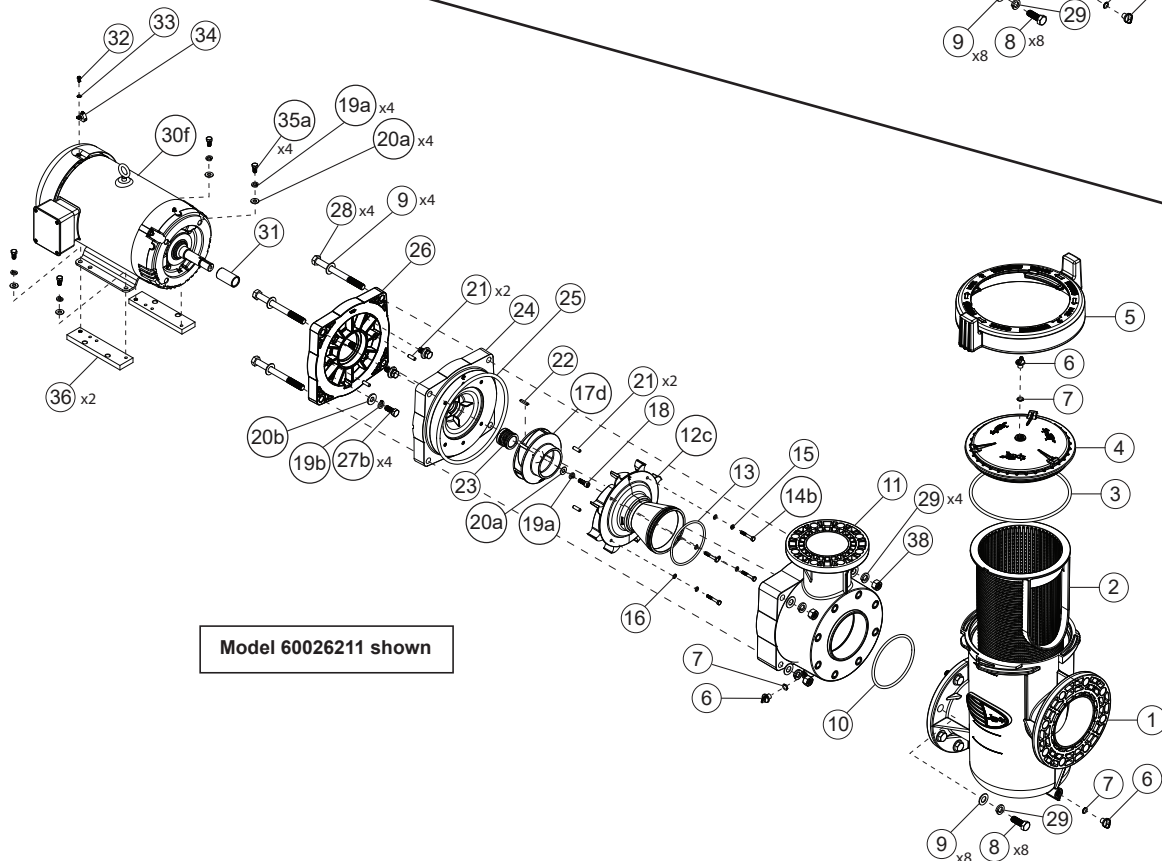
Symptom	Possible Cause	Solution
Noisy motor	Bad bearings.	Have a certified technician replace the bearings.
	Rotor strikes	Have a certified technician check the rotor.
	Debris in fan shroud	With the power turned off, remove the motor's fan cover and clean out any debris that may have become trapped inside. Inspect the fan for damage. If the fan is damaged or blades are missing, replace the fan immediately. An unbalanced fan load can cause bearing damage.
Noisy pump	Suction air leak	See problem 1.
	Restricted suction line due to blockage or under-sized pipe. High vacuum reading at pump suction.	Clean the skimmer and pump strainer baskets. Inspect piping for further blockages. Ensure all valves on the suction side of the pump are fully open. The minimum pipe diameter for the inlet of all JCP pumps is 6 inches.
	Debris in pump impeller	Disassemble the pump and check for gravel, sticks, leaves, plaster, or any other foreign objects that may be clogging the impeller. Fine debris may also be located between the impeller and diffuser on the snout of the impeller.
	Pump spinning backwards	See problem 1.
	Cavitation	Improve the suction conditions of the pump. Increase plumbing size, reduce the number of 90 degree fittings. Increase the backpressure on the pump by closing a valve on the pump outlet. Reduce the suction lift distance.
If issues persist, contact Jandy Technical Support at 1.800.822.7933		

Section 8. Replacement Parts List

The grouping of parts illustrations cover all Jandy JCP Pump models. The table on page 18 indicates the name of each part. Should you need a replacement, refer to the drawing below – locate the part that matches your pump parts. Contact your local Jandy supplier with the Key Number and Description of the parts required, along with your pump Model number, Spec. Number and Serial number, which are located on the pump nameplates.



Model 60026203 shown



Model 60026211 shown

For a complete list of replacement parts, please visit www.Jandy.com or contact Jandy Technical Support at 1.800.822.7933 or email productsupport@fluidra.com.

JCP KEY NUMBERS			
Key Number	Description	HP Size	Qty
1	Strainer Pot	All	1
2	Strainer Basket	All	1
3	O-ring, Strainer Pot Lid, 8 x 265mm	All	1
4	Lid, Clear	All	1
5	Locking Ring	All	1
6	Drain Plug	All	3
7	O-ring, Drain Plug, #2-112	All	3
8	Hex Screw, 5/8"- 11 x 1-3/4"	All	8
9	Flat Washer, 11/16" x 1-5/16" x 0.78"	All	8
10	O-ring, Strainer to Pump, 1/4" x 5-7/8", Dash No 436	All	1
11	Pump Housing	All	1
12a	Diffuser, 5-7.5 HP	5, 7.5	1
12b	Diffuser, 10 HP	10	1
12c	Diffuser, 15 HP	15	1
13	O-ring, Diffuser, 3/16" x 4-7/8", Dash No 352	All	1
14a	Hex Screw, Diffuser, 1/4"-20 x 1-1/2"	5, 7.5, 10	4
14b	Hex Screw, Diffuser, 1/4"-20 x 1-3/4"	15	4
15	Split Washer, 1/4"	All	4
16	Flat Washer, 1/4" x 1/2" x 0.057"	All	4
17a	Impeller, 5.0 HP	5	1
17b	Impeller, 7.5 HP	7.5	1
17c	Impeller, 10.0 HP	10	1
17d	Impeller, 15.0 HP	15	1
18	Hex Socket Screw, Impeller, 3/8"-16 x 1"	All	1
19a	Split Washer, 3/8"	All	9 or 5
19b	Split Washer, 1/2"	7.5, 10, 15	4
20a	Flat Washer, 3/8"	All	9 or 5
20b	Flat Washer, 1/2"	7.5, 10, 15	4
21	Dowel Pin, 5/16" x 1"	All	4
22	Key, Shaft, Motor	All	1
23	Mechanical Seal, Assembly, 1/4" Type 2100	All	1
24	Backplate	All	1
25	O-ring, Backplate, 3/8" x 10"	All	1
26	Motor Flange Adapter Plate	All	1
27a	Hex Screw, 3/8"-16 x 1"	5	4
27b	Hex Screw, 1/2"-13 x 1-1/4"	7.5, 10, 15	4
28	Hex Screw, 5/8"-11 x 7"	All	4
29	Split Washer, 11/16"	All	4 or 12

JCP KEY NUMBERS			
Key Number	Description	HP Size	Qty
30a	Motor, 5.0 HP - 3 PH	5	1
30b	Motor, 5.0 HP - 1 PH	5	1
30c	Motor, 7.5 HP - 3 PH	7.5	1
30d	Motor, 7.5 HP - 1 PH	7.5	1
30e	Motor, 10.0 HP - 3 PH	10	1
30f	Motor, 15.0 HP - 3 PH	15	1
31	Shaft Sleeve, 1" x 1-1/4" x 2.36"	All	1
32a	Hex Screw, #10-32 x 1/2"	TEFC Motor	1
32b	Hex Screw, #10-32 x 1/2" Thread Cutting	ODP Motor	1
33	Star Washer, #10	All	1
34	Bonding Lug, Dual Path	All	1
35a	Hex Screw, 3/8"-16 x 3/4"	7.5, 10, 15	4
35b	Hex Screw, 3/8"-16 x 1-1/2"	5	4
36	Motor Support, 215JM Frame	All	2
37	Motor Support, 184JM Frame	5	2
38	Nut, Brass, 5/8"-11	All	4

8.1 JCP R-Kit List

For a complete list of replacement parts, please visit www.Jandy.com or contact Jandy Technical Support at 1.800.822.7933 or email productsupport@fluidra.com.

JCP R-KIT LIST				
R-kit Item	Part Number	Description	Key Number	Qty
1	R0920400	Motor, 5.0HP, 3-Phase	30a	1
			36	2
			37	2
			35b	4
			19a	4
			20a	4
			31	1
			22	1
			32	1
			33	1
			34	1
2	R0920500	Motor, 5.0HP, 1-Phase	30b	1
			36	2
			37	2
			35b	4
			19a	4
			20a	4
			31	1
			22	1
			32	1
			33	1
			34	1
3	R0920600	Motor, 7.5HP, 3 Phase	30c	1
			36	2
			35a	4
			19a	4
			20a	4
			31	1
			22	1
			32	1
			33	1
			34	1
			4	R0920700
36	2			
35a	4			
19a	4			
20a	4			
31	1			
22	1			
32	1			
33	1			
34	1			

JCP R-KIT LIST				
R-kit Item	Part Number	Description	Key Number	Qty
5	R0920800	Motor, 10.0HP, 3 Phase	30e	1
			36	2
			35a	4
			19a	4
			20a	4
			31	1
			22	1
			32	1
			33	1
			34	1
6	R0920900	Motor, 15.0HP, 3 Phase	30f	1
			36	2
			35a	4
			19a	4
			20a	4
			31	1
			22	1
			32	1
			33	1
34	1			
7	R0921000	Motor Flange Adapter Plate	26	1
			21	2
8	R0921100	Backplate with Seals Kit	24	1
			23	1
			25	1
			21	2
9	R0921200	Impeller and Hardware Kit, 5HP	17a	1
			20a	1
			19a	1
			18	1
			22	1
10	R0921300	Impeller and Hardware Kit, 7.5HP	17b	1
			20a	1
			19a	1
			18	1
			22	1
11	R0921400	Impeller and Hardware Kit, 10HP	17c	1
			20a	1
			19a	1
			18	1
			22	1

JCP R-KIT LIST				
R-kit Item	Part Number	Description	Key Number	Qty
12	R0921500	Impeller and Hardware Kit, 15HP	17d	1
			20a	1
			19a	1
			18	1
			22	1
13	R0921600	Diffuser and Hardware Kit, 5-7.5HP	12a	1
			14a	4
			15	4
			16	4
			13	1
14	R0921700	Diffuser and Hardware Kit, 10HP	12b	1
			14a	4
			15	4
			16	4
15	R0921800	Diffuser and Hardware Kit, 15HP	13	1
			12c	1
			14b	4
			15	4
16	R0921900	Pump Housing Kit	16	4
			13	1
			11	1
			25	1
			10	1
17	R0922000	Motor Flange Adapter Plate Hardware, 215JM	6	1
			7	1
			27b	4
18	R0922100	Motor Flange Adapter Plate Hardware, 184JM	20b	4
			19b	4
			35a	4
19	R0922200	Pump Housing Hardware Kit	20a	4
			19a	4
			28	4
			9	8
20	R0922300	Strainer Pot	29	4
			38	4
			1	1
21	R0922400	Strainer Basket	6	1
			7	1
			2	1
22	R0922500	Lid and Locking Ring Kit	5	1
			4	1
			3	1
			6	1
			7	1

JCP R-KIT LIST				
R-kit Item	Part Number	Description	Key Number	Qty
23	R0922600	Strainer Pot Hardware Kit	8	8
			9	8
			29	8
24	R0922700	JCP Pump Seals Kit	25	1
			13	1
			3	1
			10	1
			7	3
25	R0922800	Dowel Pin Kit	21	4
26	R0922900	Strainer Pot Assembly O-ring Kit	10	1
27	R0923000	Mechanical Seal Kit	23	1
28	R0923100	Strainer Pot Lid O-ring Kit	3	1
29	R0923200	Diffuser O-ring Kit	13	1
30	R0923300	Backplate O-ring Kit	25	1
31	R0923400	Shaft Sleeve Kit	31	1
32	R0923500	Bonding Lug Kit	32	1
			33	1
			34	1
33	R0446000	Drain Plug Kit	6	2
			7	2

Section 9. Product Dimensions

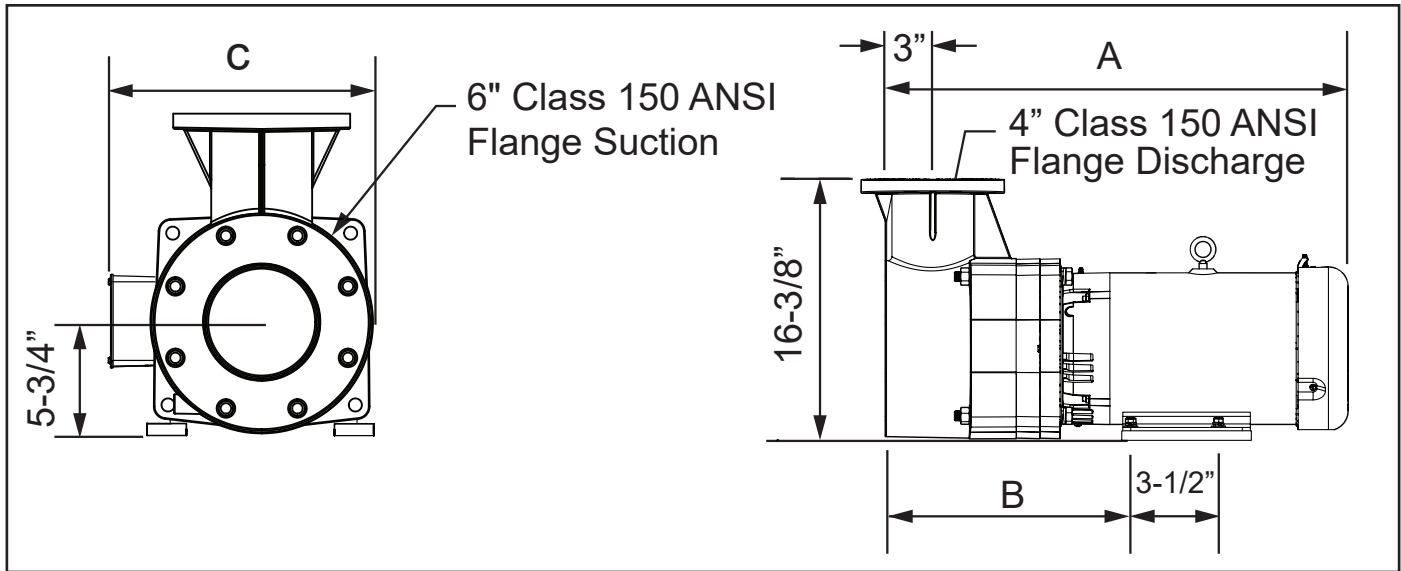


Figure 15. Pump Without Strainer Pot Dimensions

Pump Without Strainer Pot

SKU Number	A	B	C	Ship Weight (lb)	Ship Dimension
JCP05-1CT-N	26-1/4"	16"	12-1/2"	138	33" x 24" x 25.25"
JCP07-1BD-N	25"	17"	13-1/2"	157	
JCP05-3AT-N	24-3/4"	16"	12-1/2"	129	
JCP07-3AT-N	26-1/2"	17"	13-1/2"	161	
JCP10-3AT-N	26-1/2"	17"	13-1/2"	169	
JCP15-3AT-N	29"	17"	13-1/2"	209	

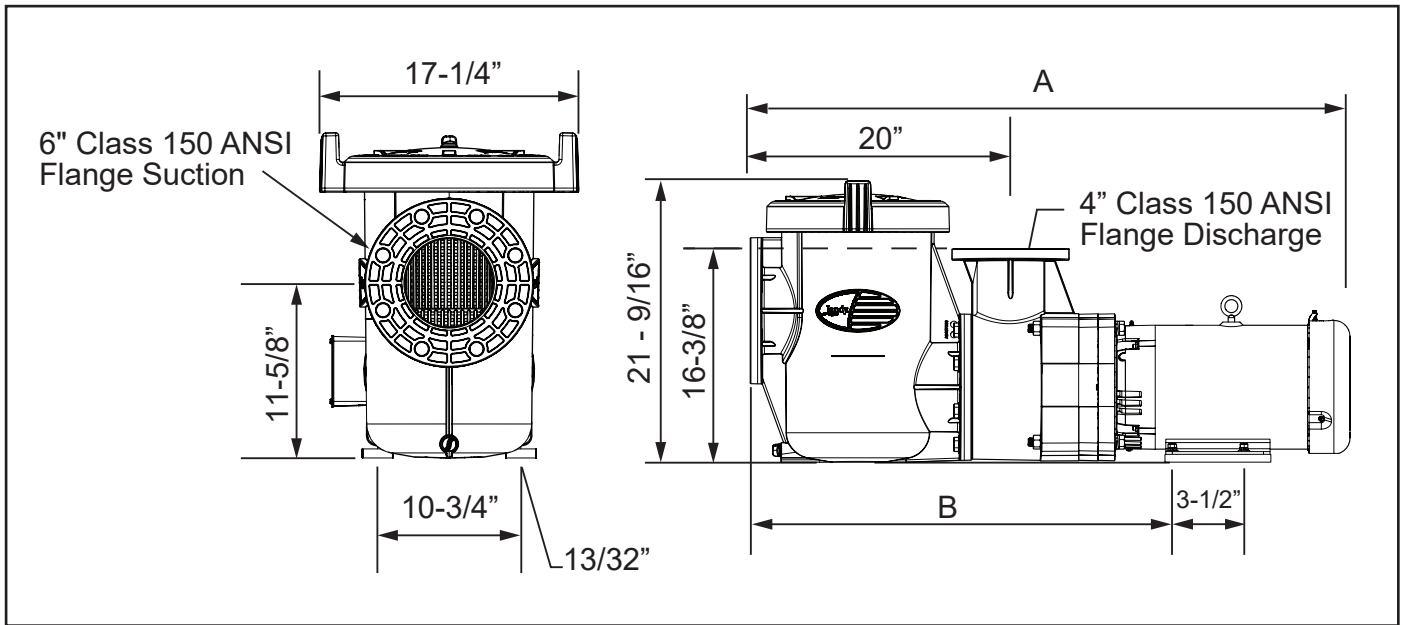


Figure 16. Pump With Strainer Pot Dimensions

Pump With Strainer Pot

SKU Number	A	B	C	Ship Weight (lb)	Ship Dimension
JCP05-1CT-S	43-1/4"	33"	12-1/2"	178	48" x 24" x 28"
JCP07-1BD-S	42"	34"	13-1/2"	197	
JCP05-3AT-S	41-3/4"	33"	12-1/2"	169	
JCP07-3AT-S	43-1/2"	34"	13-1/2"	201	
JCP10-3AT-S	43-1/2"	34"	13-1/2"	209	
JCP15-3AT-S	46"	34"	13-1/2"	249	

Section 10. Product Specifications

10.1 Specifications

SKU Number	Motor HP	S.F	Volts	Phase	Hz	Speed
JCP05-1CT-N	5	1.15	208-230	1	60	3450
JCP07-1BD-N	7.5	1.15	230	1	60	3450
JCP05-3AT-N	5	1.15	208-230/460	3	60	3450
JCP07-3AT-N	7.5	1.15	208-230/460	3	60	3520
JCP10-3AT-N	10.0	1.15	208-230/460	3	60	3510
JCP15-3AT-N	15.0	1.15	208-230/460	3	60	3500
JCP05-1CT-S	5	1.15	208-230	1	60	3450
JCP07-1BD-S	7.5	1.15	230	1	60	3450
JCP05-3AT-S	5	1.15	208-230/460	3	60	3450
JCP07-3AT-S	7.5	1.15	208-230/460	3	60	3520
JCP10-3AT-S	10.0	1.15	208-230/460	3	60	3510
JCP15-3AT-S	15.0	1.15	208-230/460	3	60	3500

SKU Number	Suction	Discharge	JM Frame	Ins	Inverter
JCP05-1CT-N	6	4	184	F	NO
JCP07-1BD-N	6	4	213	F	NO
JCP05-3AT-N	6	4	184	H	READY
JCP07-3AT-N	6	4	213	H	READY
JCP10-3AT-N	6	4	215	H	READY
JCP15-3AT-N	6	4	215	H	READY
JCP05-1CT-S	6	4	184	F	NO
JCP07-1BD-S	6	4	213	F	NO
JCP05-3AT-S	6	4	184	H	READY
JCP07-3AT-S	6	4	213	H	READY
JCP10-3AT-S	6	4	215	H	READY
JCP15-3AT-S	6	4	215	H	READY

Section 11. Technical Data

For a complete list of replacement parts, please visit www.Jandy.com or contact Jandy® Technical Support at 1.800.822.7933 or email productsupport@fluidra.com.

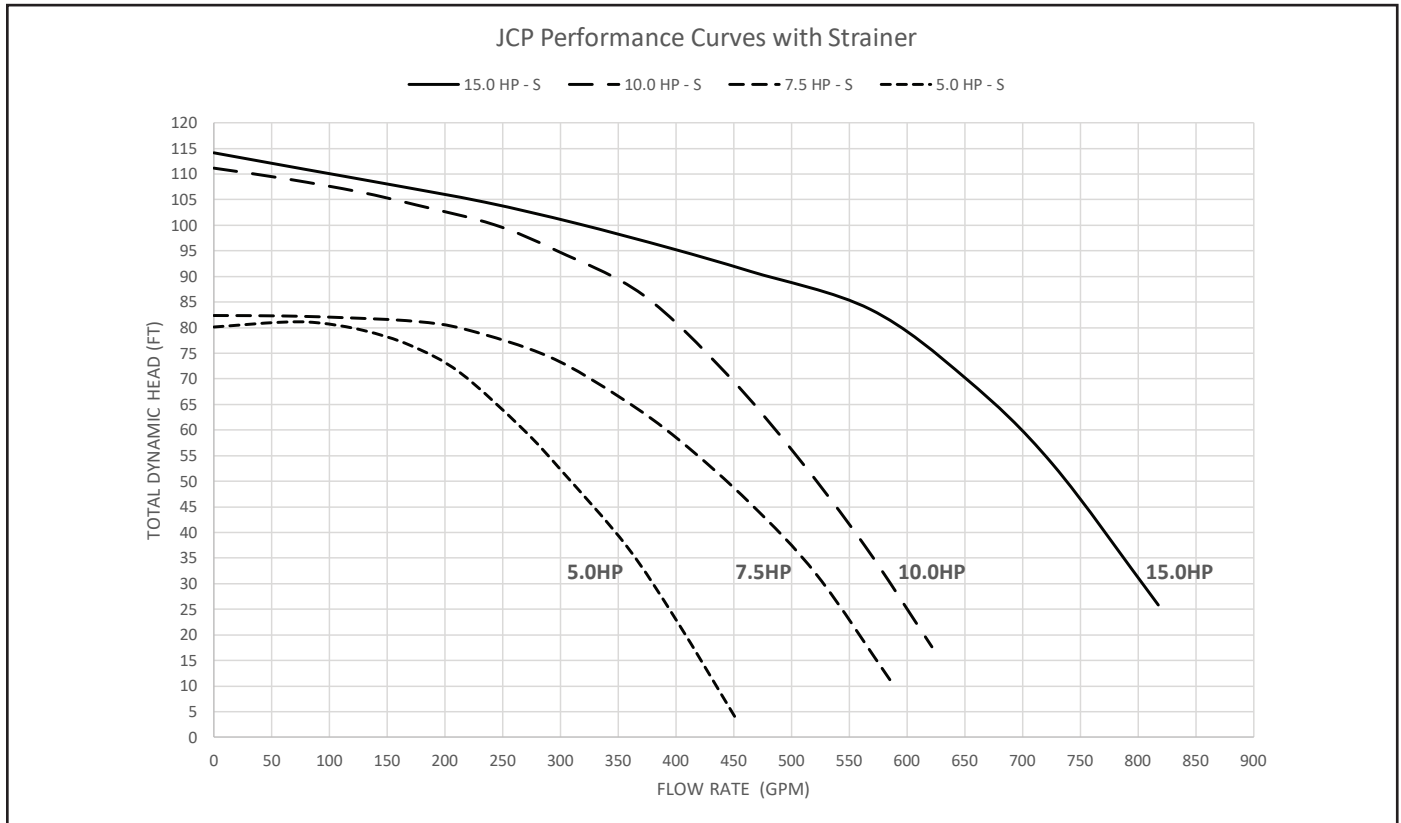


Figure 17. Jandy JCP With Strainer Pump Curves

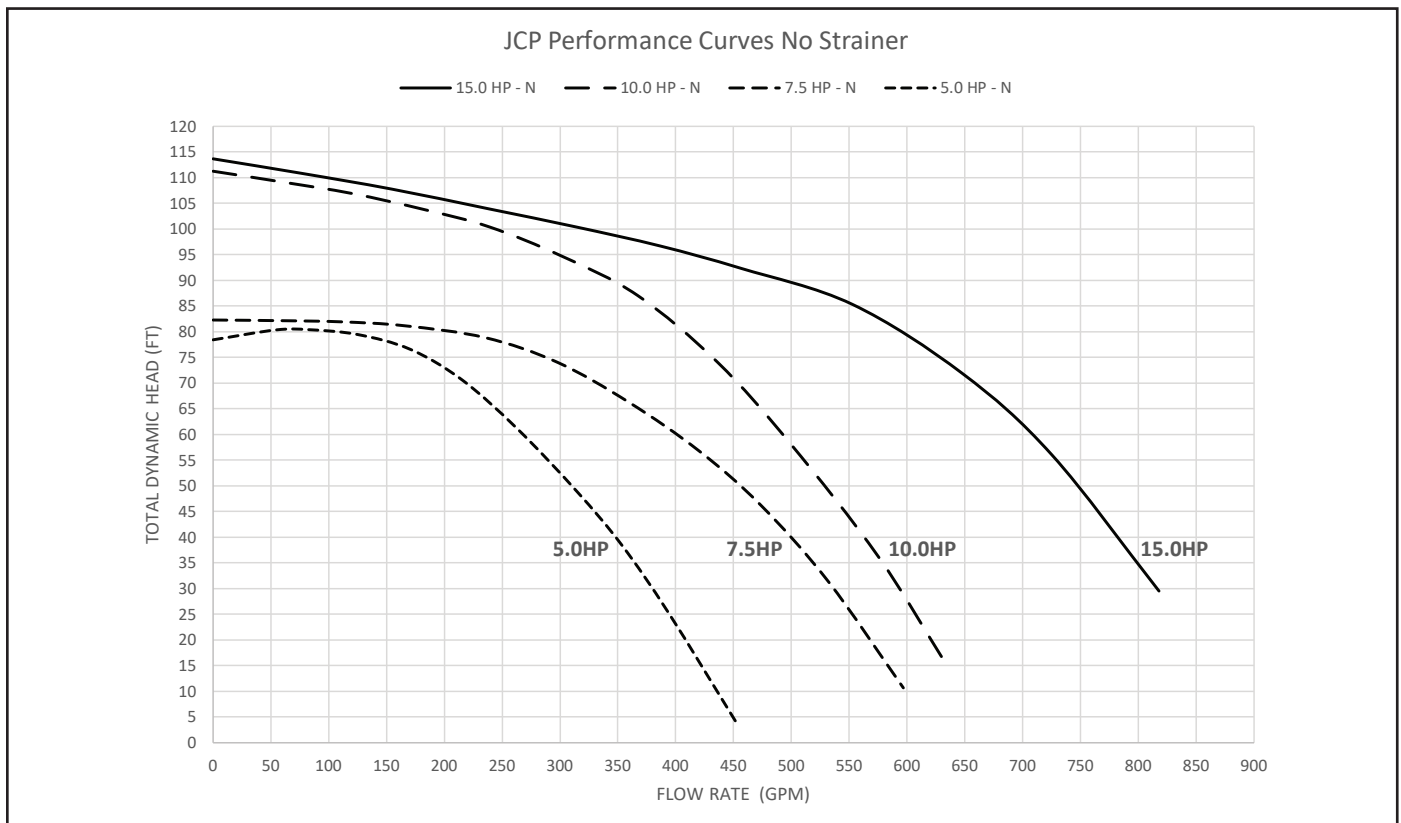


Figure 18. Jandy JCP With No Strainer Pump Curves

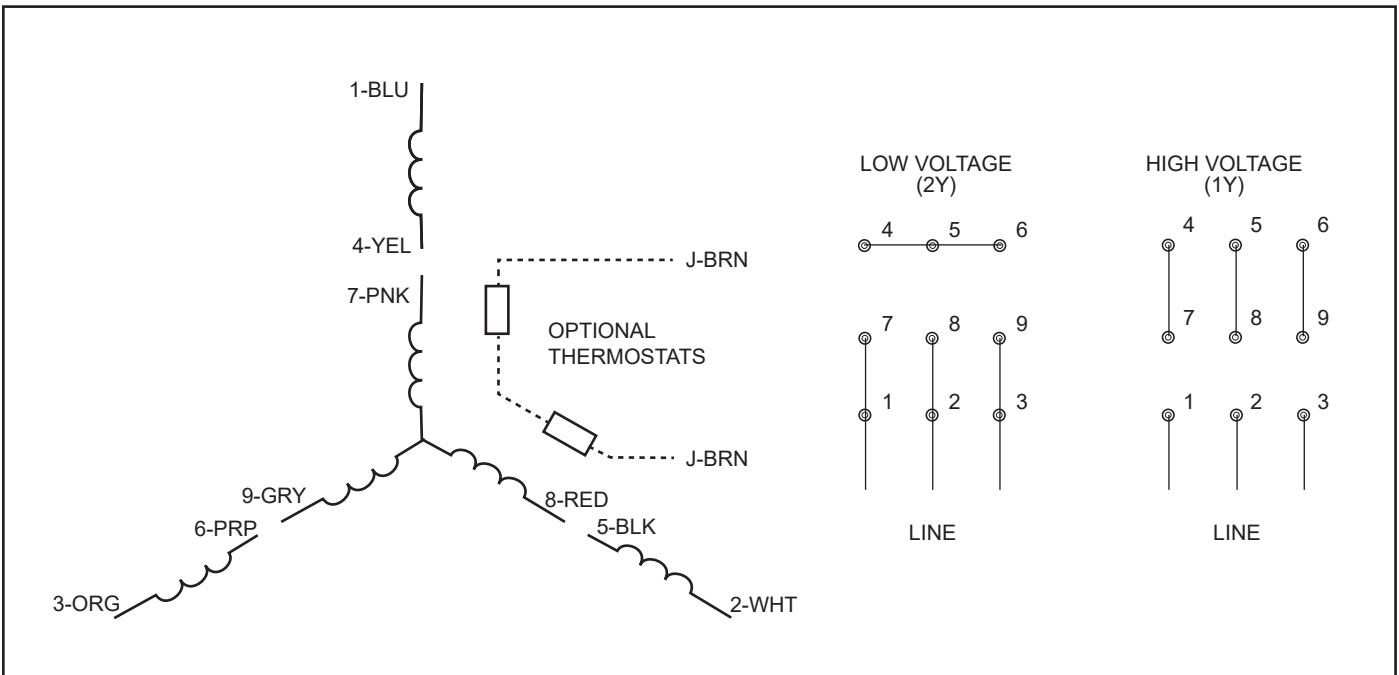


Figure 19. Jandy JCP Electrical Diagram - 5.0, 7.5, 10.0, 15.0 HP, 3-Phase

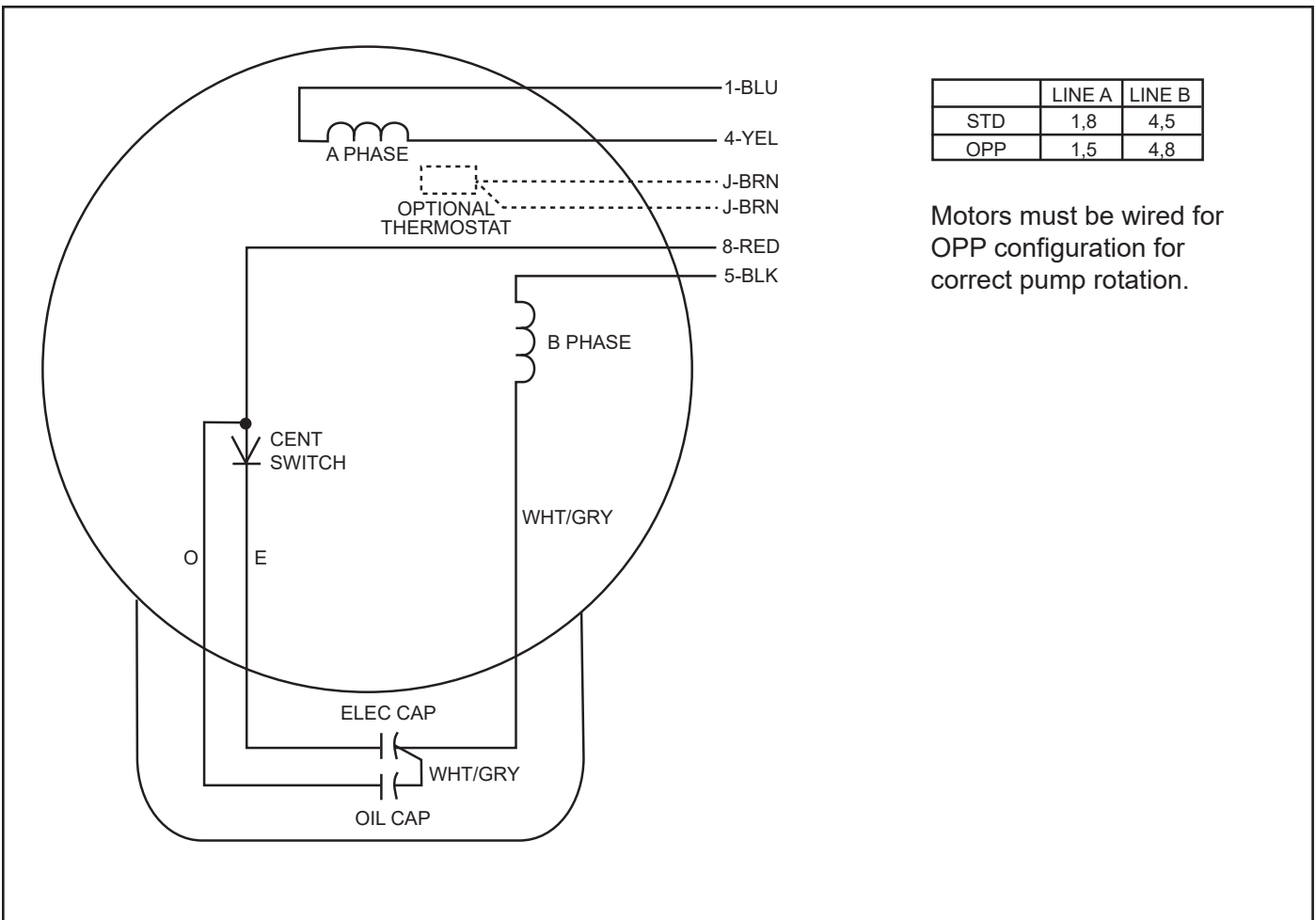


Figure 20. Jandy JCP Electrical Diagram - 5.0, 7.5 HP, 1-Phase

NOTES

NOTES

NOTES

Zodiac Pool Systems LLC

2882 Whiptail Loop # 100, Carlsbad, CA 92010

USA | Jandy.com | 1.800.822.7933

Zodiac Pool Systems Canada, Inc.

2-3365 Mainway

Burlington, ON L7M 1A6 Canada

1.888.647.4004 | www.ZodiacPoolSystems.ca

©2021 Zodiac Pool Systems LLC. All rights reserved. ZODIAC® is a registered trademark of Zodiac International, S.A.S.U. used under license. All other trademarks are the property of their respective owners.

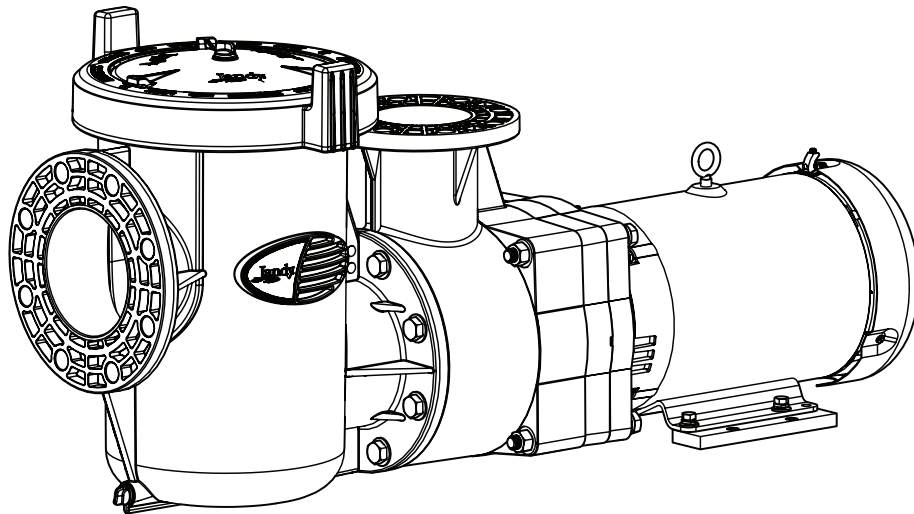
H0679300_REV C



CONFORMS TO
UL STD 1081

Certified to
CAN/CSA C22.2
No. 108





Pompes commerciales haute performance série JCP

JCP05-1CT-N

JCP05-1CT-S

JCP07-1BD-N

JCP07-1BD-S

JCP05-3AT-N

JCP05-3AT-S

JCP07-3AT-N

JCP07-3AT-S

JCP10-3AT-N

JCP10-3AT-S

JCP15-3AT-N

JCP15-3AT-S

! AVERTISSEMENT

POUR VOTRE SÉCURITÉ, ce produit doit être installé et entretenu par un entrepreneur qualifié en équipements de piscine disposant d'un permis délivré par la juridiction dans laquelle le produit est installé lorsque de telles exigences étatiques ou locales existent. L'agent d'entretien doit être un professionnel disposant de suffisamment d'expérience dans l'installation et l'entretien de l'équipement de piscine, afin de s'assurer que toutes les directives du présent manuel sont scrupuleusement respectées. Avant d'installer ce produit, lire et suivre tous les avertissements et toutes les directives qui accompagnent ce produit. Tout non-respect des instructions d'avertissement peut entraîner des dommages matériels, des blessures corporelles ou même la mort. Une mauvaise installation ou utilisation annule la garantie.



Une mauvaise installation ou utilisation peut engendrer un danger électrique pouvant entraîner des dommages matériels ou des blessures graves, voire mortelles.

À L'ATTENTION DE L'INSTALLATEUR - Le présent manuel contient des informations importantes sur l'installation, le fonctionnement et l'utilisation sécuritaire de ce produit. Ces informations doivent être transmises au propriétaire ou à l'utilisateur de cet équipement.

Table des matières

Section 1. Consignes de sécurité importantes	39	Section 5. Entretien et entreposage	50
1.1 Consignes générales de sécurité	39	5.1 Entretien	50
1.2 Directives pour la prévention de l'effet ventouse d'une pompe de piscine.....	41	5.2 Stockage	50
Section 2. Description générale	42	Section 6. Dépannage	51
2.1 Fonctionnement de la pompe série JCP	42	6.1 Outils requis	51
Section 3. Test de pression et d'installation mécanique et électrique.....	43	6.2 Pièces de rechange.....	51
3.1 Manipulation de la pompe	43	6.3 Autres pièces.....	51
3.2 Emplacement de la pompe.....	43	6.4 Désassemblage de la pompe.....	51
3.3 Installation mécanique.....	44	6.5 Ensemble pompe	53
3.4 Installation électrique.....	44	Section 7. Dépannage et réparation	54
3.5 Entretien du pot de crépine	46	Section 8. Liste des pièces de rechange.....	57
3.6 Test de pression, pot de crépine	47	8.1 JCP R- Liste de trousse.....	60
Section 4. Fonctionnement de la pompe JCP Jandy	49	Section 9. Dimensions du produit	64
4.1 Amorçage	49	Section 10. Spécifications du produit	66
		10.1 Spécifications	66
		Section 11. Données techniques	67

ENREGISTREMENT DES INFORMATIONS RELATIVES À L'ÉQUIPEMENT

DATE DE L'INSTALLATION _____

COORDONNÉES DE L'INSTALLATEUR _____

PREMIÈRE LECTURE DU MANOMÈTRE DE PRESSION (AVEC FILTRE TRANSPARENT) _____

MODÈLE DE POMPE _____

PUISSANCE _____

REMARQUES :

Section 1. Consignes de sécurité importantes

LIRE ET SUIVRE TOUTES LES DIRECTIVES

1.1 Consignes générales de sécurité

Tout travail en lien avec l'électricité doit être effectué par un électricien qualifié, et se conformer aux codes locaux, provinciaux et nationaux. Lors de l'installation et de l'utilisation de cet équipement électrique, les consignes de sécurité élémentaires doivent toujours être respectées, notamment les mises en garde suivantes :

AVERTISSEMENT

RISQUE D'EFFET VENTOUSE QUI, S'IL N'EST PAS ÉVITÉ, PEUT CAUSER DES BLESSURES GRAVES, VOIRE MORTELLES. Ne pas bloquer l'aspiration de la pompe, ce qui pourrait causer des blessures graves, voire mortelles. Ne pas utiliser cette pompe pour les pataugeoires, les piscines peu profondes ou les spas disposant de drains au fond, à moins que la pompe ne soit connectée à au moins deux (2) prises d'aspiration fonctionnelles. Les ensembles de prise d'aspiration (drain) et leurs couvercles doivent être certifiés selon la dernière édition publiée de ANSI®/ASME® A112.19.8, ou sa norme ayant droit, ANSI/APSP-16.

AVERTISSEMENT

Afin de réduire le risque de blessure, ne pas autoriser les enfants et/ou les personnes à capacités physiques, sensorielles ou mentales réduites ou manquant d'expérience à utiliser ce produit.

AVERTISSEMENT

Pour réduire les risques de dommages matériels ou de blessures, ne pas tenter de modifier la position de la vanne lorsque la pompe fonctionne.

AVERTISSEMENT

Les pompes Jandy sont alimentées par un moteur électrique haute tension et doivent être installées par un électricien agréé ou qualifié ou un technicien d'entretien des piscines.

AVERTISSEMENT

En raison du risque potentiel d'incendie, d'électrocution ou de blessures corporelles, les pompes Jandy doivent être installées conformément au National Electrical Code® (NEC®), aux codes électriques et de sécurité locaux, ainsi que conformément à la loi Occupational Safety and Health Act (OSHA). Il est possible de commander des copies du NEC auprès de la National Fire Protection Association, 1 Batterymarch Park, Quincy, MA 02169, États-Unis, ou de votre agence d'inspection du gouvernement.

AVERTISSEMENT

RISQUE DE DÉCHARGE ÉLECTRIQUE, D'INCENDIE, DE BLESSURES OU DE MORT. (Pour toutes les unités installées en permanence et destinées à être utilisées sur des circuits de dérivation monophasés de 15 ou 20 a, 120 à 240 V). Raccorder uniquement à un circuit de dérivation qui est protégé par un disjoncteur de fuite à la terre (DDFT) pour le personnel. Veuillez contacter un électricien qualifié si vous ne pouvez pas vérifier que le circuit est équipé d'un différentiel ou non. Un tel DDFT doit être fourni par l'installateur et faire l'objet d'essais régulièrement. Pour tester le différentiel, appuyer sur le bouton de test. Le différentiel doit couper l'alimentation. Appuyer sur le bouton de remise en route. L'alimentation doit être rétablie. Si le différentiel ne fonctionne pas comme indiqué, c'est qu'il est défectueux. Si le différentiel coupe l'alimentation de la pompe sans que le bouton de test ait été enfoncé, cela indique la présence d'un courant de terre, signifiant un risque de décharge électrique. Ne pas utiliser l'appareil. Débrancher l'appareil et faire corriger le problème par un représentant de service qualifié avant toute utilisation.

AVERTISSEMENT

Un équipement mal installé peut faire défaut, causant de graves blessures, des dommages matériels ou la mort.

⚠ AVERTISSEMENT

- Ne pas raccorder le système à un réseau municipal d'approvisionnement en eau non régulé ou à toute autre source externe d'eau sous pression produisant des pressions supérieures à 2,41 BAR (35 PSI).
- La présence d'air emprisonné dans le système peut faire sauter le couvercle du filtre et entraîner le décès, de graves blessures corporelles ou des dommages matériels. Veiller à ce que tout l'air a quitté le système avant d'utiliser l'équipement.

⚠ AVERTISSEMENT

L'équipement de piscine Jandy® est soumis à des tests de mise sous pression en usine. Les codes locaux peuvent exiger l'application d'un test de mise sous pression au niveau de la tuyauterie de la piscine. **VEILLENZ À RESPECTER LES CONSIGNES DE SÉCURITÉ SUIVANTES :**

- Vérifier les serre-joints, les boulons, les couvercles, les anneaux de blocage et les accessoires du système pour s'assurer qu'ils sont correctement installés et fixés solidement avant d'effectuer un test.
- **LIBÉRER TOUT L'AIR** présent dans le système avant de procéder aux tests.
- La pression de l'eau pendant le test **NE DOIT PAS DÉPASSER 2,41 BAR (35 PSI)**.
- La température de l'eau pendant le test **NE DOIT PAS DÉPASSER 38 °C (100 °F)**.
- Limiter la durée du test à 24 heures. Après le test, vérifier visuellement le système pour s'assurer qu'il est prêt à fonctionner.

AVIS: ces paramètres s'appliquent à l'équipement Jandy uniquement. Pour tout équipement d'une autre marque que Jandy, consulter le fabricant.

⚠ AVERTISSEMENT

Les déversements de produits chimiques et les émanations peuvent affaiblir l'équipement de piscine/spa. La corrosion peut provoquer la panne des filtres et d'autres équipements, entraînant ainsi de graves blessures ou des dommages matériels. Ne pas ranger les produits chimiques à proximité de votre équipement.

⚠ MISE EN GARDE

Ne pas démarrer la pompe à sec! Le fait de laisser fonctionner la pompe à sec pendant un certain temps provoquera de graves dommages et annulera la garantie.

⚠ MISE EN GARDE

Cette pompe est conçue pour être utilisée avec des piscines permanentes et peut aussi être utilisée dans les cuves thermales et les spas, si indiqué. Ne pas utiliser avec des piscines pouvant être entreposées. Une piscine permanente est construite dans le sol, sur le sol ou dans un bâtiment, de telle manière qu'elle ne puisse pas être facilement démontée et rangée. Une piscine pouvant être rangée est construite pour qu'elle puisse être démontée facilement aux fins d'entreposage, puis remontée à son état initial.

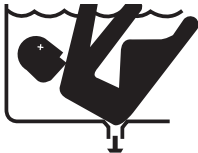
⚠ MISE EN GARDE

Ne pas installer dans une enceinte extérieure. Celle-ci nécessite une ventilation adéquate pour maintenir une température ambiante inférieure à la température ambiante maximale figurant sur la plaque signalétique du moteur.

⚠ MISE EN GARDE

Afin d'éviter une défaillance prématurée ou des dommages au moteur de la pompe, protégez-la de l'exposition directe à l'eau provenant des sprinklers, du ruissellement des toits et du drainage, etc. Le non-respect de cette consigne peut entraîner une défaillance de la pompe et peut également annuler la garantie.

⚠ AVERTISSEMENT



RISQUE D'ASPIRATION. Peut causer une blessure grave voire la mort. **Ne pas utiliser cette pompe pour les pataugeoires, les piscines peu profondes ou les spas disposant de drains au fond, à moins que la pompe ne soit connectée à au moins deux (2) prises d'aspiration fonctionnelles.**

CONSERVER CES DIRECTIVES

1.2 Directives pour la prévention de l'effet ventouse d'une pompe de piscine.

⚠ MISE EN GARDE

La performance des pompes Jandy est basée sur une eau claire, froide et douce avec des conditions d'aspiration telles qu'illustrées sur la courbe de performance. Si celle-ci est destinée à pomper d'autres liquides, la performance de pompage pourra différer en fonction des performances nominales basées sur les différentes spécificités en termes de poids, température, viscosité, etc. du liquide pompé. Une pompe standard peut ne pas être sécuritaire pour le pompage de tous les types de liquides, tels que des liquides chimiques, toxiques ou volatiles, ou des liquides chimiques stockés sous des températures ou des pressions extrêmes. Veuillez consulter les catalogues Jandy ainsi que les codes locaux et les références générales pour déterminer les pompes les plus appropriées pour votre application spécifique. Étant donné qu'il est impossible pour nous d'anticiper toutes les applications des pompes Jandy, si vous envisagez d'utiliser la pompe pour une application qui n'implique pas d'eau, mettez-vous préalablement en rapport avec Jandy afin de déterminer si cette application est adéquate ou sécuritaire dans les circonstances. Tout défaut de se conformer à ces instructions peut entraîner des dommages matériels ou des blessures corporelles.

⚠ AVERTISSEMENT

L'aspiration générée par la pompe est dangereuse et peut coincer et noyer ou éventrer les baigneurs. Ne pas utiliser ni faire fonctionner des piscines, spas ou cuves thermales si le couvercle de la prise d'aspiration est manquant, brisé ou desserré. Les directives suivantes fournissent de l'information sur l'installation de la pompe qui minimise les risques de blessures chez les utilisateurs de piscines, de spas ou de cuves thermales :

Protection contre le piégeage : le système d'aspiration de la pompe doit protéger contre les risques de piégeage par aspiration.

Couvercles de prise d'aspiration : toutes les prises d'aspiration doivent être correctement installées, avec les couvercles vissés en place. Tous les couvercles de prise d'aspiration (drain) doivent être correctement entretenus. Ils doivent être remplacés s'ils sont fissurés, brisés ou manquants. Les couvercles doivent être certifiés selon la dernière édition publiée de ANSI®/ASME® A112.19.8, ou sa norme ayant droit, ANSI/APSP-16. La piscine doit être fermée et les baigneurs ne doivent pas pouvoir entrer dans la piscine jusqu'à ce que toutes fissures, tous bris ou couvercles de drain manquants soient remplacés.

Nombre de prises d'aspiration par pompe : fournir aux moins deux (2) prises d'aspiration hydrauliquement équilibrées avec les couvercles, comme prises d'aspiration pour chaque conduite d'aspiration de pompe. Les centres des prises d'aspiration sur n'importe quelle conduite d'aspiration doivent être à au moins 90 cm (3 pi) de distance, centre à centre. Reportez-vous à la Figure 1.

Le système **doit** être construit pour inclure au moins deux (2) prises d'aspiration (drains) raccordées à la pompe lorsqu'elle fonctionne. Cependant, si deux (2) prises d'aspiration deviennent une seule conduite d'aspiration, celle-ci peut être dotée d'une valve qui arrête les deux prises d'aspiration de la pompe. Le système sera construit de manière à ne pas permettre un verrouillage séparé ou indépendant, ni l'isolation de chaque drain. Reportez-vous à la Figure 1.

D'autres pompes peuvent être raccordées à une seule conduite d'aspiration tant que les exigences ci-dessus sont respectées.

Vélocité de l'eau : la vitesse maximale de l'eau dans l'ensemble de prise d'aspiration et de son couvercle pour n'importe quelle prise d'aspiration ne doit pas dépasser le débit de conception maximal de l'ensemble de la prise d'aspiration et de son couvercle. L'ensemble de la prise d'aspiration (drain) et son couvercle doivent être conformes à la dernière version de ANSI®/ASME® A112.19.8, la norme pour les raccords d'aspiration à utiliser dans les piscines, pataugeoires, spas, cuves thermiques ou son ayant droit, ANSI/ASME APSP-16.

Essais et certification : Les couvercles de prise d'aspiration doivent être testés par un laboratoire d'essais reconnu à l'échelle nationale et se conformer à la dernière édition publiée de ANSI/ASME A112.19.8 ou sa norme ayant droit, ANSI/APSP-16, la norme pour *Raccords d'aspiration à utiliser dans les piscines, pataugeoires, spas et cuves thermales*.

Raccords : les raccords limitent le débit; pour une meilleure efficacité, utiliser le moins de raccords possibles (mais au moins deux (2) prises d'aspiration).

Éviter les raccords qui pourraient piéger de l'air.

Les raccords d'aspiration pour piscine doivent se conformer aux normes de l'International Association of Plumbing and Mechanical Officials (IAPMO).

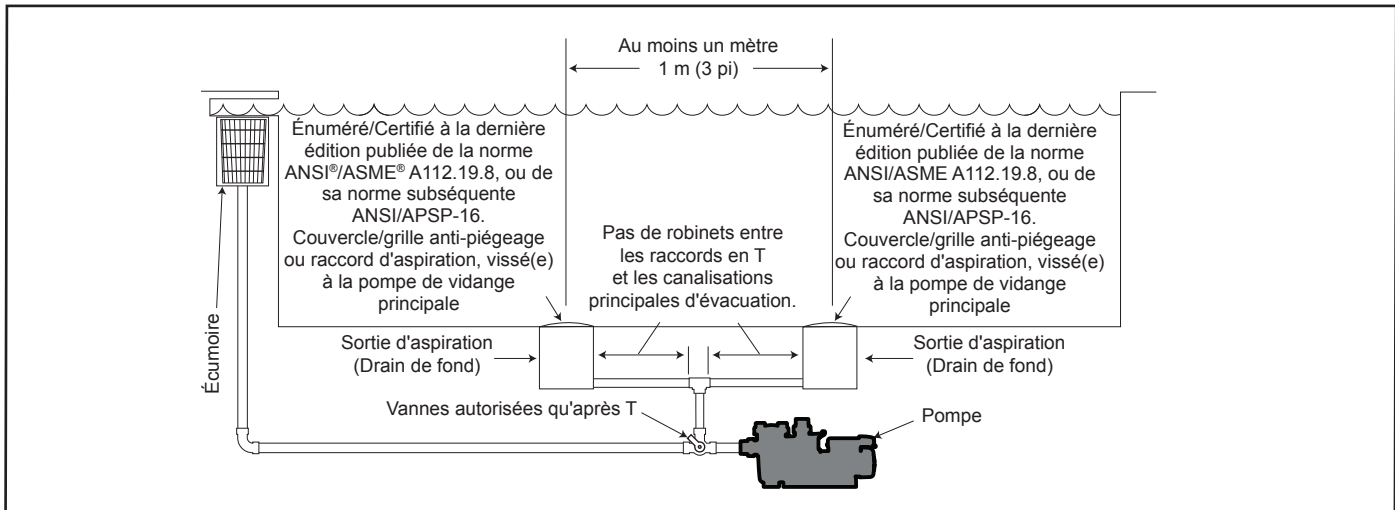


Figure 1. Plomberie adéquate pour aspiration de la pompe

Section 2. Description générale

2.1 Fonctionnement de la pompe série JCP

Jandy a créé la nouvelle norme en matière de pompes commerciales en polymère. La pompe de la série JCP est entièrement conçue pour surpasser la concurrence et offrir des années de service silencieux et efficace. Notre système unique de turbine et de diffuseur offre des performances d'amorçage inégalées tout en obtenant les courbes de pompe hydraulique que vous exigez. La série JCP offre également plusieurs fonctionnalités qui la rendent facile à utiliser et à entretenir.

Caractéristiques concurrentielles

- Remplacement direct pour les pompes de série C et EQ
- Remplacements de moteur faciles à obtenir (cadre JM standard)
- Couvercle de crépine verrouillable avec un joint torique radial robuste et fiable
- Raccord unique du couvercle de la crépine pour permettre la libération de la pression ou de l'aspiration
- Bouchons de vidange Jandy standard et faciles à obtenir
- Jeux de pièces de rechange pour aider à entretenir la pompe plus rapidement

Caractéristiques technique de la pompe

- Ensemble de crépine à boulonner en option
- Raccordements à bride d'aspiration de 6 po et de décharge de 4 po ANSI
- Homologué NSF
- Garniture mécanique 316 SS / EPDM type 2100
- Compatible avec la garniture mécanique de type 21
- Quincaillerie en acier inoxydable

Caractéristiques technique du moteur

- Spécifications du moteur triphasé
 - Isolation classe H
 - Anneau de mise à la terre arbre AEGIS®
 - Manchon d'arbre en acier inoxydable avec composé Loctite® 648
 - Construction du moteur TEFC
 - Cadre JM NEMA
 - Efficacité supérieure NEMA
 - Languette de liaison brevetée Fluidra
 - Prêt pour onduleur : 20:1 VT et 4:1 CT
 - Montage F-1
 - Roulements étanches
- Spécifications du moteur monophasé
 - Isolation classe F
 - Construction du moteur TEFC (5 HP)
 - Construction du moteur ODP (7,5 HP)
 - Cadre JM NEMA
 - Efficacité supérieure JM NEMA
 - Manchon d'arbre en acier inoxydable avec composé Loctite® 648
 - Languette de liaison brevetée Fluidra
 - Montage F-1
 - Roulements étanches

Section 3. Test de pression et d'installation mécanique et électrique

3.1 Manipulation de la pompe

1. Retirer la boîte en carton ondulé agrafée à la caisse et démonter la caisse à l'aide d'une perceuse électrique avec un embout à tête Philips.
2. Retirez les 4 boulons qui maintiennent la base du moteur au fond de la caisse.
3. Voir les positions de levage sur les figures 2-5 pour soulever la pompe et dans sa position finale. Certains moteurs peuvent avoir des boulons à œil situés sur le dessus du moteur. Ne pas utiliser de boulons à œil uniquement pour hisser la pompe. Les trous situés sur les brides d'entrée et de sortie doivent également être utilisés comme emplacements de levage. Si le moteur n'est pas doté d'un boulon à œil, utiliser des sangles pour soulever la pompe.

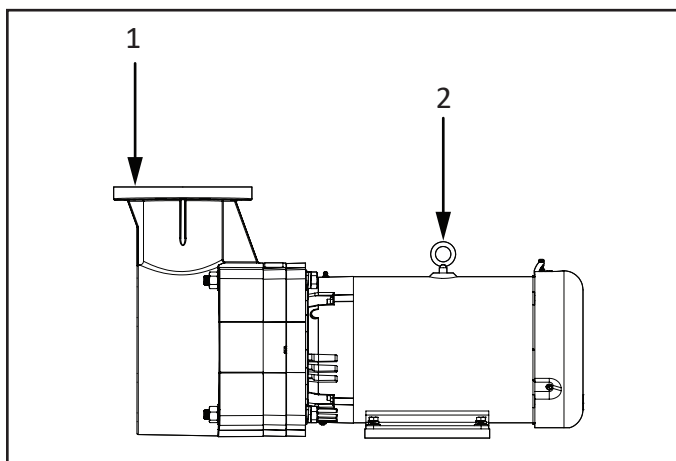


Figure 2. JCP - sans point de levage de crépine

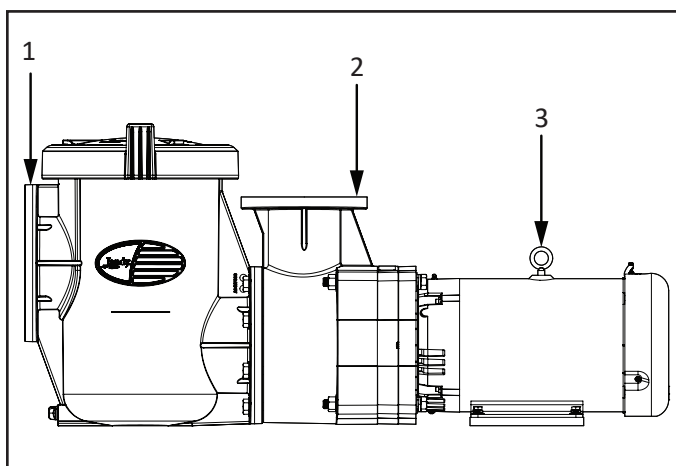


Figure 3. JCP - avec point de levage de crépine

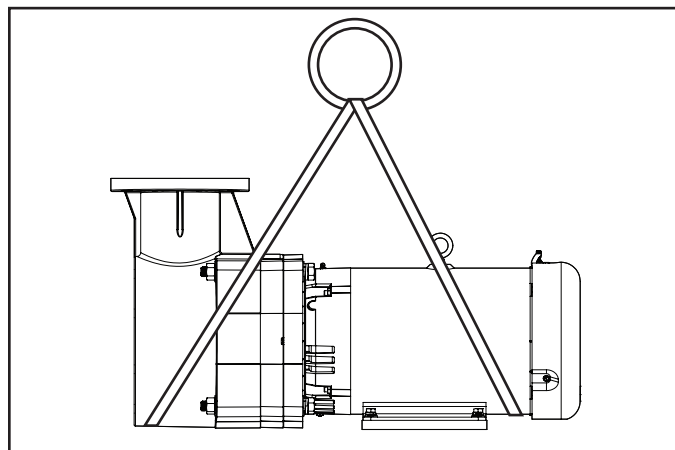


Figure 4. JCP - sans positions de sangle de crépine

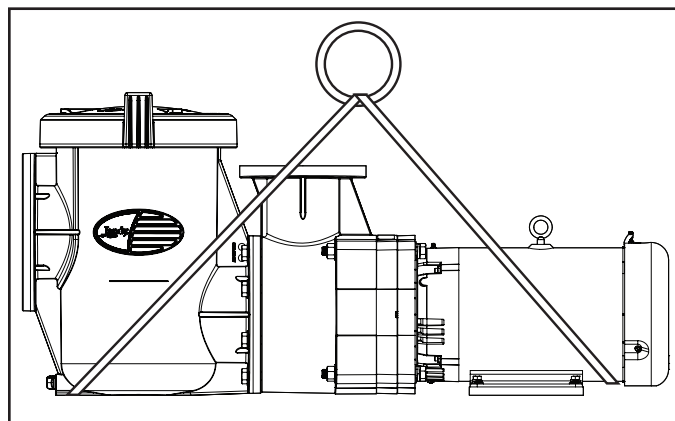


Figure 5. JCP - avec positions de sangle de crépine

3.2 Emplacement de la pompe

1. Placer la pompe aussi près que possible de la piscine (jamais plus de 10 pieds au-dessus du niveau d'eau de la piscine).
2. Installer sur une fondation rigide, de préférence 2 po ou plus au-dessus du niveau du sol. Pour réduire davantage le risque de bruit de vibration, enfoncez la pompe dans la fondation.
3. Fournir l'espace nécessaire autour de la pompe pour toute inspection et maintenance ultérieures de l'unité. Il est recommandé d'utiliser un boîtier doté de volets pour protéger les moteurs exposés du soleil et de la pluie. Veiller à maintenir une ventilation adéquate. Le boîtier devra fournir un dégagement par rapport aux moteurs d'un minimum de 10 po à tous les points.

⚠ AVERTISSEMENT

Pour réduire le risque d'incendie, installer l'équipement de la piscine dans une zone où les feuilles et autres débris ne risquent pas de s'accumuler sur ou autour de l'équipement. Maintenir la zone dégagée de tous débris tels que papier, feuilles, aiguilles de pin et autres matériaux combustibles.

⚠ MISE EN GARDE

Afin d'éviter une défaillance prématurée ou des dommages au moteur de la pompe, protéger la pompe de l'exposition directe à l'eau des gicleurs, du ruissellement de l'eau des toits et du drainage, etc. Le non-respect de cette consigne peut entraîner une panne de la pompe et peut également annuler la garantie.

3.3 Installation mécanique

1. Retirer avec précaution l'assemblage de la pompe (ou l'assemblage de la pompe et de la crépine) de son emballage d'expédition.
2. Déterminer l'emplacement de l'installation de la pompe et de la crépine. S'assurer de fournir un espace et un éclairage adéquats pour l'entretien courant.
3. Il est recommandé d'installer une vanne sur la conduite d'aspiration avant cette unité et sur la conduite de retour après la pompe afin que les deux éléments puissent être isolés pour l'entretien de routine.
4. Vérifier qu'une section de tuyau rectiligne, avec une longueur équivalant à cinq fois son diamètre, est installée entre le côté aspiration de la pompe et le premier coude. Reportez-vous à la Figure 8.
5. Les conduites d'aspiration doivent être de la même taille que l'entrée d'aspiration de la pompe. L'ensemble de la tuyauterie devra être hermétique. Maintenir toutes les conduites d'aspiration au-dessous de niveau d'eau de la piscine jusqu'à ce qu'elles atteignent la pompe. Les conduites d'aspiration devront être inclinées vers la pompe.
6. Raccorder la pompe au tuyau d'aspiration à l'aide d'un jeu de bride ANSI-150 de 6 po. Serrer les boulons de bride à pas plus de 20 pi-lb. Un couple excessif peut endommager la pompe.
7. Connecter la pompe au tuyau de refoulement à l'aide d'un jeu de bride ANSI-150 de 4 po. Serrer les boulons de bride à pas plus de 20 pi-lb. Un couple excessif peut endommager la pompe.
8. Le poids de la tuyauterie devra être pris en charge indépendamment et ne pas être supporté par la pompe.

9. Planifier soigneusement la disposition de la plomberie adjacente, y compris la coupe du tuyau à la longueur exacte et s'assurer que la bride sera alignée et d'équerre avec le pot de crépine ou l'ensemble de pompe. Noter que la crépine doit être installée de manière à ce que le débit d'eau se propage dans la bride supérieure et sort par la bride inférieure.

REMARQUE : Si l'assemblage de la crépine est installé comme une unité autonome, un autre morceau de tuyau droit d'au moins 76 cm (30 po) de long doit être installé pour connecter l'assemblage de la crépine au corps de pompe. Coller la plomberie en place une fois que vous êtes certain que les ajustements sont corrects.

▲ MISE EN GARDE

Utiliser des rondelles plates de grand diamètre (au moins 1 5/16 po de diamètre extérieur) entre l'écrou hexagonal et les brides de l'assemblage de la crépine pour répartir correctement les forces de serrage sur les brides. Serrer les boulons de bride à 27,1 newtons mètres (20 pi-lb) sauf indication contraire du fabricant de la bride. S'il n'est pas possible d'utiliser une clé dynamométrique, il faut veiller à ne pas trop serrer les boulons de bride. Le non-respect des instructions ci-dessus peut endommager les brides de la crépine.

▲ MISE EN GARDE

La tuyauterie d'aspiration et de refoulement doit être soutenue par un système approprié de supports. Un tuyau mal supporté peut entraîner la transmission de charges excessives à l'assemblage de la crépine, entraînant une défaillance structurelle pouvant entraîner des inondations et des dommages matériels.

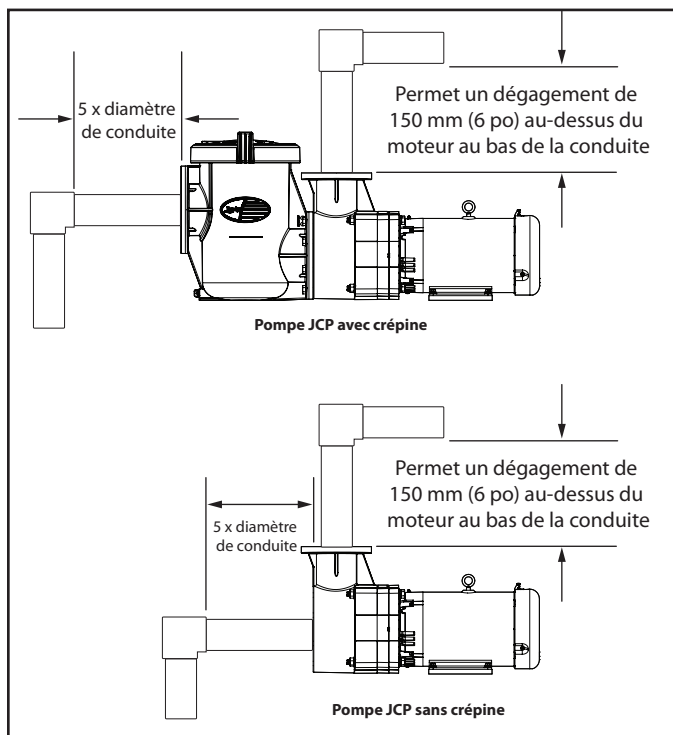


Figure 6. Dégagement de la tuyauterie Jandy JCP

3.4 Installation électrique

▲ AVERTISSEMENT

Les modèles de pompe monophasée comportent une protection thermique intégrée pour couper le moteur dans l'éventualité où la température deviendrait excessive (en raison de problèmes mécaniques ou électriques; comme une basse tension, une mauvaise ventilation, des lignes surchargées, etc.). La protection thermique du moteur doit être réinitialisée manuellement pour commencer à fonctionner une fois que les conditions de surcharge ont été corrigées.

Les moteurs de pompe triphasés ne sont PAS protégés thermiquement. La protection du moteur doit être fournie par l'installateur conformément au code local.

3.4.1 Vérifications de la tension

Remarque : Ne pas essayer de connecter de moteurs triphasés à une alimentation monophasée ni des moteurs monophasés à une alimentation triphasée.

La bonne tension, comme indiqué sur la plaque signalétique de la pompe, est nécessaire pour une bonne performance et une longue durée de vie du moteur. Une mauvaise tension diminuera la capacité de performance de la pompe et pourrait causer une surchauffe, réduire la durée du moteur et entraîner des coûts électriques plus élevés.

L'installateur électrique est responsable de fournir à la pompe la tension de fonctionnement indiquée sur la plaque signalétique en s'assurant de la taille du circuit et du câblage pour cette application précise.

Le National Electrical Code® (NEC®, NFPA-70®) exige que tous les circuits de pompe de piscine monophasés de 120 à 240 volts soient protégés par un disjoncteur de fuite à la terre (DFT). Par conséquent, l'installateur électrique est également responsable de s'assurer que le circuit de la pompe devra s'y conformer, ainsi qu'à toutes les autres exigences du National Electrical Code (NEC) et autres codes d'installation en vigueur.

⚠ MISE EN GARDE

Tout défaut de fournir une tension selon la plaque signalétique (+/- 10 %) pendant l'opération entraînera la surchauffe du moteur et annulera la garantie.

3.4.2 Liaison et mise à la terre

⚠ AVERTISSEMENT

RISQUE DE CHOC ÉLECTRIQUE

Éteindre tous les commutateurs et le disjoncteur principal du circuit électrique de la pompe avant de lancer la procédure. Le défaut de se conformer peut entraîner un risque d'électrocution entraînant de grave blessure corporelle ou la mort.

En plus d'être correctement mis à la terre tel que décrit dans la section *Câblage électrique*, et conformément aux exigences du National Electrical Code (NEC), ou au Canada le Code Canadien de l'électricité (CCE), le moteur de la pompe doit être relié aux pièces métalliques de la piscine, du spa ou de la cuve thermique et à tous les composants et équipement électrique avec le système de circulation d'eau de la piscine ou du spa. Reportez-vous à la Figure 7.

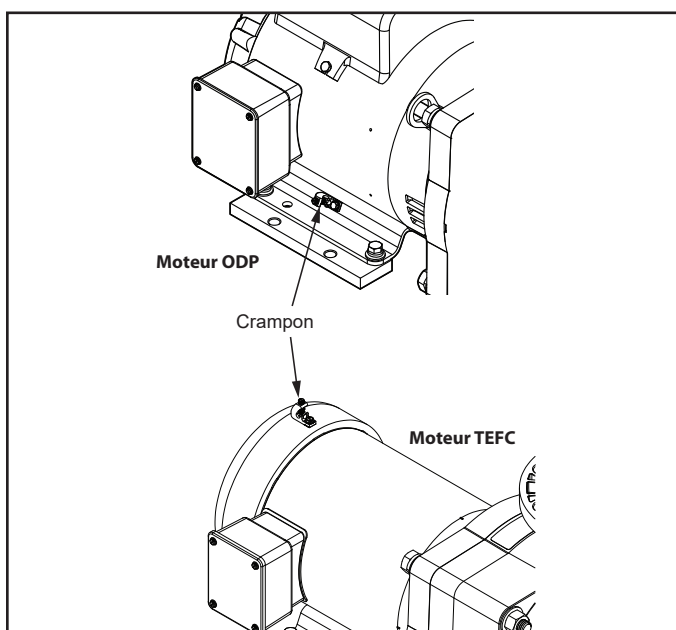


Figure 7. Emplacement de la languette de liaison

Cette liaison doit être réalisée en utilisant un conducteur en cuivre plein, AWG n° 8 ou plus gros. Au Canada, il faut utiliser du AWG n° 6 ou plus gros. Relier le moteur en utilisant la languette de liaison externe fournie sur le cadre du moteur.

Le National Electrical Code® (NEC®) requiert la mise à la terre de la piscine. Lorsqu'aucun(e) équipement, structure ou pièce de la piscine mis(e) à la terre n'est en connexion directe avec l'eau de la piscine, l'eau de la piscine devra être en contact direct avec une surface conductrice approuvée résistante à la corrosion qui n'expose pas moins de 5800 mm² (9 po²) de la surface de l'eau de la piscine en tout temps. La surface conductrice devra être située à un endroit où celle-ci n'est pas exposée à des dommages physiques ou à des délogements au cours des activités courantes en piscine, et devra être mise à la terre conformément aux exigences en matière de mise à la terre du NEC Article 680. Se reporter aux codes appliqués localement pour toute exigence supplémentaire en matière de mise à la terre.

⚠ AVERTISSEMENT

Il faut toujours déconnecter la source d'alimentation électrique avant de travailler sur un moteur ou sa charge connectée.

⚠ AVERTISSEMENT

S'assurer que le commutateur de contrôle, l'horloge ou le système de contrôle est installé à un endroit accessible afin qu'en cas de défaillance de l'équipement ou d'un raccord de plomberie desserré, l'équipement peut être désactivé. Cet endroit ne doit pas être dans la même zone que la pompe de la piscine, le filtre et autres équipements.

3.4.3 Câblage électrique

1. Fixer le fil de mise à la terre à la pompe en utilisant la vis verte fournie. Mettre à la terre avant de connecter à une alimentation électrique. Ne pas mettre à la terre lorsque connecté à une conduite d'alimentation en gaz.
2. La grosseur du fil doit être adéquate pour minimiser la chute de tension pendant le démarrage et le fonctionnement de la pompe.
3. Soigneusement isoler toutes les connexions pour prévenir les mises à la terre ou les courts-circuits. Les arêtes vives sur les bornes nécessitent une protection supplémentaire. Pour la sécurité et pour empêcher l'entrée de contaminants, réinstaller tous les couvercles de boîtes de conduit et de bornes. Ne pas forcer les connexions dans la boîte de conduit.

Câblage

Remarque : En raison de la grande variation des équipements électriques, de l'équipement d'alimentation, de l'alimentation électrique et des exigences d'installation, ce manuel ne fait pas de recommandations spécifiques concernant l'équipement auxiliaire ou les fusibles / câbles.

REMARQUE IMPORTANTE : Vérifier que le sens de rotation du moteur de la pompe correspond à la flèche directionnelle sur le corps de la pompe. Le non-respect de cette consigne peut entraîner une défaillance de la pompe et pourrait également annuler la garantie. Vérifier le schéma de câblage pour déterminer si le moteur peut être câblé sur site afin de tourner dans les deux sens.

La taille des fils, le type de fil, la protection par fusible du circuit de dérivation, le démarreur de moteur, l'équipement de commande et les éléments connexes doivent être conformes aux exigences du Code national de l'électricité et du code local.

Les moteurs sont fournis par plusieurs fabricants et les données de la plaque signalétique (facteur de service, ampérage maximum, etc.) varieront. Consulter le fabricant de la commande et la plaque signalétique du moteur sur votre pompe pour choisir et dimensionner correctement le démarreur de moteur et l'équipement de commande pour votre installation particulière. Les questions ou problèmes électriques spécifiques doivent être adressés au fabricant du composant électrique en question.

Arrêt d'urgence

Installer un interrupteur d'arrêt d'urgence près de la piscine. Marquer clairement cet interrupteur et l'installer dans un endroit accessible aux baigneurs ou au personnel d'exploitation de la piscine (par exemple, les maîtres-nageurs). S'assurer que tous les maîtres nageurs et le personnel de la piscine comprennent l'utilisation de l'interrupteur en cas d'urgence (piégeage, dysfonctionnement électrique, etc.).

3.5 Entretien du pot de crépine

1. S'assurer que la pompe est éteinte si elle est contrôlée par un variateur de fréquence.
2. S'assurer que le disjoncteur qui alimente le moteur de la pompe est désactivé.

⚠ MISE EN GARDE

La pompe doit être connectée de manière permanente à un circuit électrique dédié. Aucun autre équipement, éclairage, appareil ou prise de courant ne peut être connecté au circuit de pompe.

⚠ AVERTISSEMENT

RISQUE DE CHOC ÉLECTRIQUE

Éteindre tous les commutateurs et le disjoncteur principal du circuit électrique de la pompe avant de lancer la procédure. Le défaut de se conformer peut entraîner un risque d'électrocution entraînant de grave blessure corporelle ou la mort.

⚠ AVERTISSEMENT

RISQUE DE CHOC ÉLECTRIQUE

En raison du risque potentiel d'incendie, d'électrocution ou de blessures corporelles, les pompes Jandy® doivent être installées conformément au National Electrical Code® (NEC®), aux codes électriques et de sécurité locaux, ainsi que selon la loi Occupational Safety and Health Act (OSHA). Il est possible de commander des copies du NEC auprès de la National Fire Protection Association, 1 Batterymarch Park, Quincy, MA 02169, États-Unis, ou de votre agence d'inspection du gouvernement.

Au Canada, les pompes Jandy doivent être installées conformément au Code canadien de l'électricité (CCE).

3. S'assurer que toutes les valves d'isolation nécessaires sont fermées pour empêcher l'eau de la piscine d'atteindre la pompe.
4. Retirer délicatement le bouchon et le joint torique situés au centre du couvercle. Cela permettra à la pression à l'intérieur de la pompe d'égaliser avec la pression dans la pièce.

NOTE IMPORTANTE : Le fait de ne pas retirer le bouchon central du couvercle avant l'entretien augmentera considérablement la difficulté d'assemblage ou de démontage du couvercle et peut provoquer la rupture des languettes de levage du couvercle.

5. Suivre les repères sur la bague de verrouillage. À l'aide des deux poignées, tourner lentement la bague de verrouillage dans le sens antihoraire jusqu'à ce que le couvercle et la bague de verrouillage se désengagent du corps de pompe. Reportez-vous à la Figure 8.

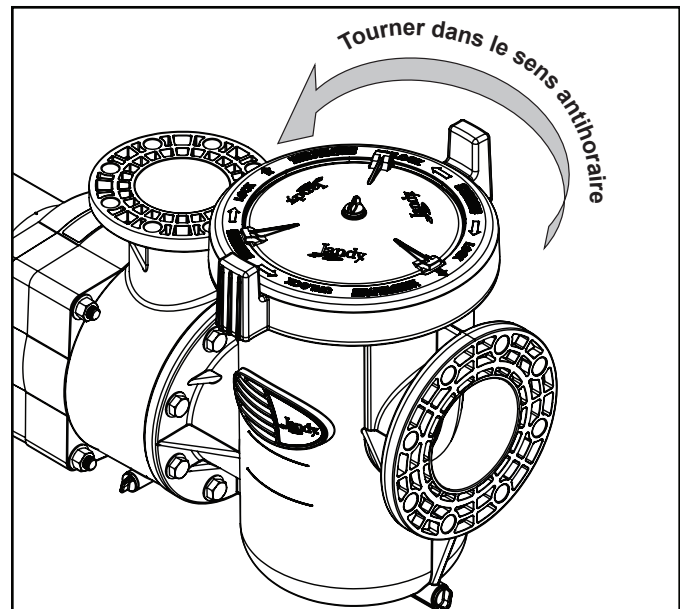


Figure 8. DÉVERROUILLER L'ANNEAU DE BLOCAGE

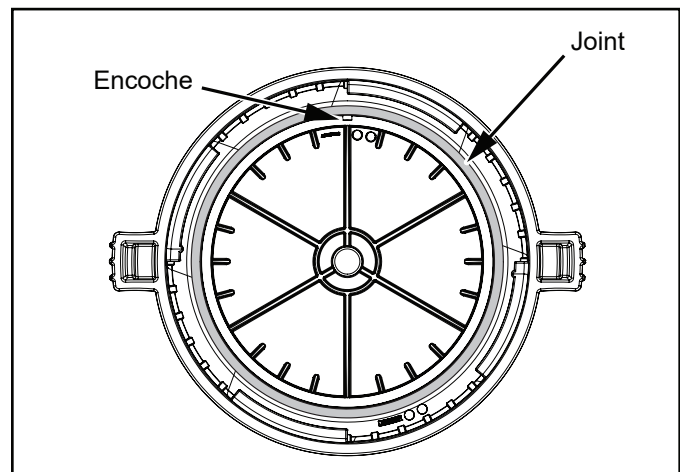


Figure 9. Joint torique dans le couvercle

6. L'ensemble du couvercle désengagera le corps de la pompe après une rotation d'environ 45 degrés.
7. Inspecter le joint torique situé dans le couvercle à la recherche de débris ou de dommages. Reportez-vous à la Figure 9. Si nécessaire, insérer un tournevis à tête plate dans l'encoche pour aider à retirer le joint torique. S'il y a des signes de dégradation, d'imprégnation de débris ou de déchirure du joint torique, remplacer immédiatement le joint d'étanchéité. Utiliser uniquement des lubrifiants pour joints toriques à base de silicone pour faciliter l'assemblage.
8. Le panier de la crépine peut être retiré et vidé. S'assurer que le panier est correctement aligné avec l'orifice d'entrée de la crépine lors du remplacement du panier dans le pot de la crépine. Reportez-vous à la Figure 10.
9. Pour remonter le couvercle, aligner les flèches indiquant « Port » à environ 45 degrés dans le sens antihoraire à partir du port d'entrée. Tourner le couvercle dans le sens des aiguilles d'une montre jusqu'à ce que le couvercle s'engage dans le corps de la pompe et que les poignées soient perpendiculaires aux orifices. Les flèches s'aligneront avec les ports. Installer le bouchon central et le joint du couvercle.

Remarque :

L'ensemble couvercle et bague de verrouillage se désengage ensemble. Pour retirer le couvercle de l'ensemble, aligner les 3 pattes de levage du couvercle avec les encoches de l'anneau de verrouillage et pousser doucement le couvercle vers l'extérieur.

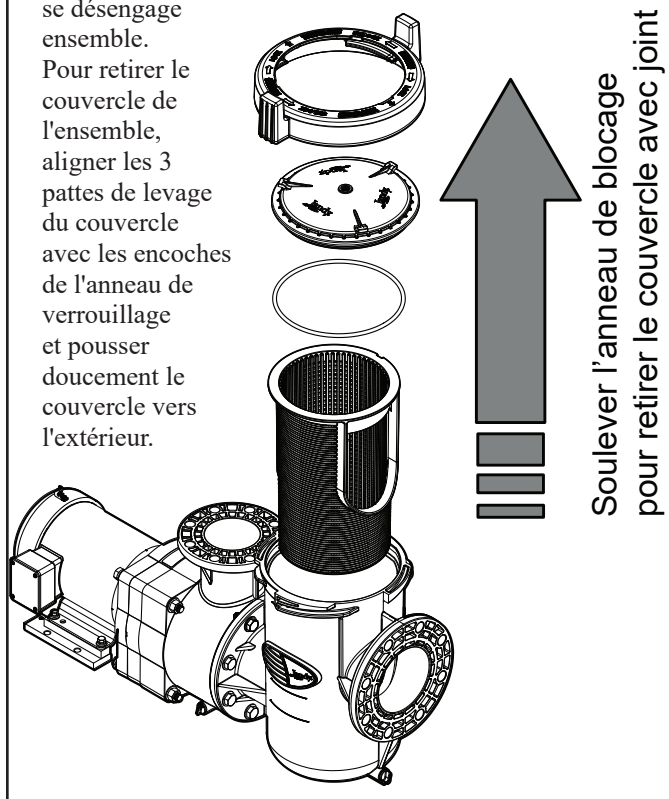


Figure 10. Vue éclatée de la pompe

3.6 Test de pression, pot de crépine

Certains codes locaux exigent que le système de circulation soit testé sous pression avec une pression d'épreuve avant d'être mis en service ou avant de permettre à la construction de passer à l'étape suivante.

⚠ AVERTISSEMENT

Cette crépine est destinée à fonctionner du côté aspiration de la pompe et ne doit pas être installée du côté pression d'un système de circulation. Une extrême prudence doit être prise lors de l'application de pression sur ce produit pendant un test de pression du système. Le dépassement de la pression ou de la température nominale pendant le test de pression peut entraîner une défaillance structurelle. Une défaillance structurelle de l'assemblage de la crépine peut provoquer la libération instantanée d'énergie, ce qui accélère les composants défaillants à des vitesses élevées et parcourt des distances de 30,5 m (100 pieds) ou plus. Ces composants peuvent causer des blessures graves ou la mort s'ils heurtent une personne.

⚠ AVERTISSEMENT

Il est important que le couvercle et la bague de verrouillage soient en position fermée avant d'effectuer un test de pression. Les instructions gravées sur l'anneau de verrouillage indiquent la position verrouillée lorsque les orifices sont alignés avec les flèches avec le mot « port » gravé sur l'anneau de verrouillage. Si le couvercle et la bague de verrouillage ne sont pas installés et dans la bonne position, une défaillance structurelle peut survenir et entraîner des blessures graves ou la mort.

⚠ AVERTISSEMENT

Un test de pression incorrect d'un système de circulation peut impliquer un risque important de dommages matériels ou de blessures graves ou mortelles. Les systèmes de circulation stockent de l'énergie lorsqu'ils sont testés sous pression en raison de la nature élastique des matériaux utilisés dans la construction et de la compressibilité de l'air qui peut être contenu dans le système. Les instructions ci-dessous doivent être considérées comme un guide uniquement. Chaque installation doit être considérée comme une situation unique dont le risque doit être soigneusement étudié.

⚠ AVERTISSEMENT

Ne jamais tester cet équipement avec une pression d'air même si cela est spécifié par le code local. Même de faibles niveaux de pression d'air entraînent un stockage considérable d'énergie qui peut être libérée instantanément en cas de panne du système. Cette libération instantanée d'énergie peut entraîner l'accélération des composants défectueux à des vitesses élevées et des distances de 30,5 m (100 pieds) ou plus. Ces composants peuvent causer des blessures graves ou la mort s'ils heurtent une personne.

1. Comprendre le code local. L'intention du code peut être de garantir l'étanchéité du système de tuyauterie avec ses nombreux joints collés. Les systèmes de tuyauterie ont généralement une capacité de pression plus élevée que les autres composants du système tels que la pompe ou le filtre. Ne pas tester ce produit sous pression sauf si le code l'exige spécifiquement.
2. Vérifier que chaque composant du système est conçu pour répondre à la pression de test du code local. La plupart des composants doivent être marqués avec une pression de service maximale. Si un composant n'est pas marqué, consulter les instructions du propriétaire fournies avec le composant ou consulter le fabricant.
3. Remplir le système d'eau pour éliminer l'air piégé.
4. Mettre le système sous pression avec de l'eau à pas plus de 2,41 BAR (**35 PSI**).
5. Fermer la valve pour piéger l'eau dans le système.
6. Vérifier si le système présente des fuites ou une baisse de pression.
7. S'il y a des fuites au couvercle, répéter la procédure. Pour se mettre en rapport avec le service de soutien technique de Jandy, composer le 1-800-822-7933

AVERTISSEMENT

Lors du test sous pression d'un système avec eau, l'air est souvent emprisonné dans le système pendant le processus de remplissage. Cet air se comprime lorsque le système est sous pression. Si le système fait défaut, cet air emprisonné peut projeter des débris avec une grande vitesse et blesser. Il faut prendre toutes les mesures possibles pour éliminer l'air emprisonné, y compris l'ouverture de la vanne de purge sur le filtre et le desserrage du panier de la pompe pendant le remplissage de la pompe.

AVERTISSEMENT

La présence d'air coincé dans le système peut faire sauter le couvercle du filtre et entraîner la mort, de graves blessures ou des dommages matériels. Veillez à ce que tout l'air soit adéquatement purgé du système avant d'utiliser l'équipement. **NE PAS UTILISER D'AIR COMPRIMÉ POUR FAIRE UN TEST DE PRESSION NI VÉRIFIER LA PRÉSENCE DE FUITES.**

AVERTISSEMENT

RISQUE DE CHOC ÉLECTRIQUE

Ne pas effectuer de test de pression au-delà de 2.41 BAR (35 PSI). Le test de pression doit être exécuté par un spécialiste en équipements de piscine. L'équipement de circulation qui n'est pas correctement testé risque de faire défaut, pouvant entraîner de graves blessures ou des dommages matériels.

AVERTISSEMENT

Lors d'un test de pression du système avec de l'eau, il est très important de s'assurer que le couvercle du panier de pompe est bien fixé.

Section 4. Fonctionnement de la pompe JCP Jandy

MISE EN GARDE

Ne jamais utiliser la pompe sans eau. Faire fonctionner la pompe « à sec » pendant un certain temps peut causer de graves dommages à la pompe et au moteur, et pourrait annuler la garantie.

AVERTISSEMENT

Pour éviter tout risque de dommages matériels ou de blessures corporelles graves, voire la mort, vérifier que l'alimentation est coupée avant de commencer la procédure.

Lors d'une installation de piscine neuve, veiller à ce que toute la tuyauterie soit libre de débris de construction et qu'elle ait été adéquatement testée sous pression. Le filtre devrait être vérifié pour une installation adéquate, en vérifiant que toutes les connexions et les colliers de serrage sont bien fixés conformément aux recommandations du fabricant.

1. Relâcher toute la pression du système et ouvrir le clapet de décharge de pression du filtre.
2. En fonction de l'emplacement de la pompe, faire ce qui suit :
 - Si la pompe est située sous le niveau de l'eau de la piscine, retirer le bouchon du couvercle de la crépine ou retirer la soupape de surpression du filtre pour amorcer la pompe avec de l'eau.
 - Si la pompe est située au-dessus du niveau d'eau de la piscine, retirer le couvercle et remplir le préfiltre d'eau avant de démarrer la pompe.
3. Avant de remettre en place le couvercle, vérifier qu'il n'y a pas de débris autour du siège du joint torique du couvercle. La présence de débris autour du joint torique dans le couvercle provoquera une fuite d'air dans le système et rendra difficile l'amorçage de la pompe.
4. Serrer le couvercle à la main pour assurer une bonne étanchéité. N'utiliser aucun outil pour serrer le couvercle; serrer uniquement à la main. S'assurer que tous les robinets sont ouverts et que les boulons de bride sont serrés.
5. Rétablir l'alimentation électrique à la pompe. Activer ensuite la pompe.
6. Vérifier que le sens de rotation du moteur correspond à la flèche directionnelle sur la pompe. Le non-respect de cette consigne peut entraîner une défaillance de la pompe et pourrait également annuler la garantie. Vérifier le schéma de câblage pour déterminer si le moteur peut être câblé afin de tourner dans les deux sens.
7. Lorsqu'il n'y a plus d'air dans le filtre, fermer le clapet de décharge de pression.
8. La pompe devrait s'amorcer dans les dix minutes. Le temps qu'il faut pour amorcer dépendra de l'élévation et de la longueur du tuyau utilisé sur le tuyau d'alimentation d'aspiration.

9. Si la pompe ne s'amorce pas et toutes les instructions à ce stade ont été respectées, vérifier s'il y a une fuite d'aspiration. S'il n'y a pas de fuite, répéter les étapes 2 à 7. Pour de l'assistance technique, appelez le soutien technique de Jandy en composant le 1-800-822-7933.

4.1 Amorçage

Remplir la crépine d'eau avant de commencer. Cela peut être fait par le port fileté 1/4 po NPS dans le haut du couvercle, ou en retirant le couvercle et la bague de verrouillage. Cela est nécessaire pour permettre à la pompe de s'amorcer et pour prévenir des dommages permanents. Sauf en cas de gel, conserver toujours du liquide dans la pompe. Aucune lubrification de l'extrémité de la pompe, y compris l'ensemble d'étanchéité complet, n'est nécessaire. Si le débit ne démarre pas dans les dix minutes, arrêter le moteur et déterminer la cause. S'assurer que toutes les vannes d'aspiration et de refoulement sont ouvertes lorsque la pompe fonctionne. Faire fonctionner la pompe avec une vanne fermée dans le système est susceptible d'endommager la pompe.

Section 5. Entretien et entreposage

5.1 Entretien

MISE EN GARDE

Un panier mal aligné ne permettra pas de poser correctement le couvercle, provoquant une fuite d'air, qui pourrait entraîner des dommages à la pompe.

La crépine intégrée à la pompe devra être inspectée et nettoyée sur une base quotidienne. Ces crépines sont faciles à nettoyer. Suivre les directives imprimées sur la bague de verrouillage.

1. Retirer le bouchon central et le joint du couvercle.
2. Tourner l'anneau de blocage en contre sens jusqu'à ce que le couvercle et l'anneau de blocage se libèrent du pot de la crépine.
3. Vérifier l'état du joint torique du couvercle et remplacer au besoin.
4. Retirer le panier et procéder au nettoyage.
5. Installer le couvercle et l'anneau de blocage en tournant dans le sens des aiguilles d'une montre jusqu'à ce que les flèches imprimées sur l'anneau de blocage s'alignent avec les orifices d'entrée et de sortie de la pompe. Lorsqu'il est correctement verrouillé, l'anneau de blocage doit s'enclencher et les poignées doivent être perpendiculaires aux orifices de la pompe.
6. Installer le bouchon central et le joint du couvercle.
7. Le moteur électrique a des roulements scellés et ne nécessite aucun entretien de lubrification.

5.2 Stockage

MISE EN GARDE

La pompe **doit** être protégée en prévision des températures de gel. Si la pompe gèle, cela causera de graves dommages qui pourraient annuler la garantie.

MISE EN GARDE

Ne pas utiliser de solutions d'antigel dans les systèmes de piscine, de spa ou de cuve thermique!
L'antigel est très toxique et peut endommager le système de circulation. La seule exception est le propylène glycol. Pour plus d'informations, consultez votre détaillant local en piscine/spa ou prenez contact avec une entreprise d'entretien de piscine qualifié.

Si la piscine est mise hors service pendant une période prolongée, des précautions devront être prises afin de protéger la pompe et le moteur contre les dommages et l'exposition aux intempéries. Si l'entreposage se prolonge, placer le moteur et la turbine dans un lieu chaud et sec.

REMARQUE : S'assurer que l'alimentation est désactivée au niveau du panneau de commande. Vidanger la pompe en retirant les deux bouchons de vidange. Débrancher les conduites d'aspiration et de refoulement au niveau des raccords à bride, puis déplacer l'unité dans un endroit intérieur chaud et sec.

Lors de la réactivation de la pompe, inverser les procédures ci-dessus. Remplacer le joint torique entre le pot de la crépine et le logement de la pompe si endommagé. Installer les bouchons de vidange. Contrôler l'arbre de la pompe et s'assurer que celui-ci n'est pas bloqué. Amorcer la pompe tel qu'indiqué ci-dessus et vérifier la rotation de l'arbre de la pompe.

Section 6. Dépannage

6.1 Outils requis

- Mètre ruban
- Niveau
- Gants
- Protection oculaire
- Silicone lubrifiant pour joint torique
- Multimètre
- Ampèremètre
- Pince à dénuder
- Clé dynamométrique
- Tourne-écrou 1/4 po
- Tourne-écrou 5/16 po
- Tournevis à tête plate
- Marteau
- Clé polygonale/ douille 15/16 po
- Clé polygonale/ douille 9/16 po
- Clé polygonale/ douille 7/16 po
- Clé à douille 3/4 po
- Clé hexagonale 5/16 po

6.2 Pièces de rechange

Cette unité est conçue pour fournir un maximum de sécurité électrique. Pour assurer une protection continue contre tout risque d'électrocution, utiliser uniquement des pièces de rechange identiques fournies par l'usine lors de l'entretien.

6.3 Autres pièces

La pompe de la série Jandy JCP a été conçue avec du matériel, des joints et châssis de moteurs NEMA JM de taille courante. Une liste complète de matériaux se trouve dans la section « Liste des pièces » de ce manuel et contient des descriptions générales de toutes les fixations, joints et moteurs nécessaires pour assembler correctement la pompe.

- Joint d'étanchéité d'arbre : La pompe de la série JCP a été conçue pour utiliser une garniture mécanique 1-1/4 po de type 2100 ou 21 avec une longueur de travail du ressort de 1,062 pouce et une hauteur de céramique de 0,436 pouce.
- Moteurs : La pompe de la série JCP utilise des moteurs à châssis NEMA JM standard pour une polyvalence maximale. Il est recommandé de remplacer le moteur par le moteur de remplacement Jandy comme indiqué dans la section Pièces de rechange. Tout moteur acheté comme alternative pour les pompes de série JCP doivent avoir des valeurs nominales électriques identiques, des certificats de conformité, des capacités nominales et être équipés d'un manchon d'arbre en acier inoxydable Jandy.

- Fixations : Jandy a fait tout son possible pour utiliser du matériel standard en acier inoxydable dans la pompe de la série JCP. La plupart des fixations sont SAE et de taille, longueur et pas de filetage communs. Si la fixation d'usine Jandy est remplacée, s'assurer qu'elle est identique en taille, filetage, taille de tête, etc.
- Autres composants de la pompe : Afin de maintenir les performances optimales de votre pompe, Jandy recommande vivement d'utiliser uniquement des pièces de rechange d'origine. Ne pas utiliser de pièces d'autres marques de pompes ou de pièces génériques, à moins qu'elles ne soient référencées dans ce manuel.

6.4 Désassemblage de la pompe

AVERTISSEMENT

Cette pompe doit être entretenue par un technicien d'entretien professionnel et qualifié en installation de piscine/spa. Les procédures suivantes doivent être suivies à la lettre. Une mauvaise installation et/ou le fonctionnement peut présenter de dangereux risques électriques, ce qui peut causer des tensions élevées à travers le système électrique. Ceci peut causer un dommage matériel, de graves blessures corporelles et/ou la mort. Une mauvaise installation ou utilisation annule la garantie.

AVERTISSEMENT

Zodiac Pool Systems LLC exige de faire déconnecter le câblage électrique au niveau du moteur de la pompe par un technicien d'entretien ou un électricien certifié.

AVERTISSEMENT

RISQUE DE CHOC ÉLECTRIQUE

Éteignez tous les commutateurs et le disjoncteur principal du circuit électrique de la pompe avant de lancer la procédure. Patientez cinq (5) minutes après la mise hors tension avant d'ouvrir le moteur. Tout défaut de se conformer peut entraîner un risque d'électrocution entraînant de grave blessure corporelle ou la mort.

1. Arrêter la pompe. Couper le disjoncteur au moteur de la pompe.
2. Attendez 5 minutes avant d'ouvrir le compartiment de câblage et de débrancher la source d'alimentation de la pompe. Zodiac Pool Systems LLC exige de faire déconnecter le câblage électrique au niveau du moteur de la pompe par un technicien d'entretien ou un électricien certifié.
3. Fermez toutes les valves nécessaires pour empêcher l'eau de la piscine d'atteindre la pompe. Retirer les bouchons de vidange et les joints toriques pour vidanger l'eau de la pompe.
4. Retirer les boulons de bride et les rondelles des connexions d'entrée et de sortie. Retirer les fixations retenant la pompe au tampon. Faire glisser la pompe loin de la plomberie.

⚠ AVERTISSEMENT

En raison du risque potentiel d'incendie, d'électrocution ou de blessures corporelles, les pompes Jandy doivent être installées conformément au National Electrical Code® (NEC®), aux codes électriques et de sécurité locaux, ainsi que selon la loi Occupational Safety and Health Act (OSHA). Il est possible de commander des copies du NEC auprès de la National Fire Protection Association, 1 Batterymarch Park, Quincy, MA 02169-7471, États-Unis ou obtenu auprès de votre agence d'inspection du gouvernement.

Au Canada, les pompes Jandy doivent être installées conformément au Code canadien de l'électricité (CEC®).

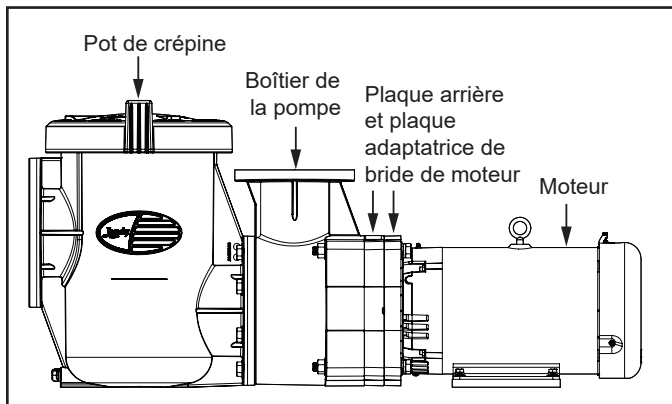


Figure 11. Pomme JCP avec ensemble pot de crépine

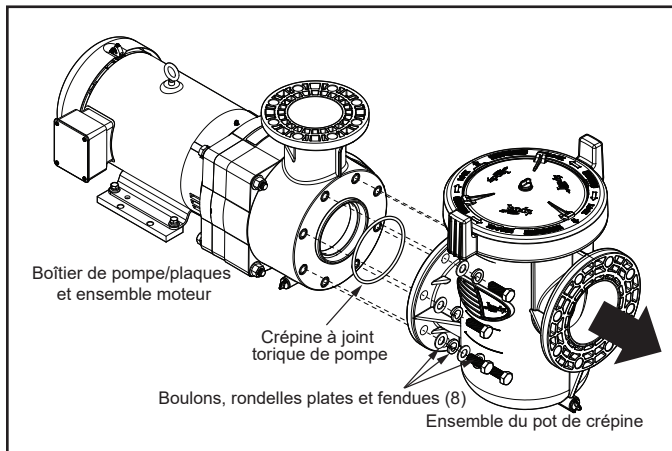


Figure 12. Retirer le pot de crépine de l'ensemble de pompe

5. À l'aide d'une clé de 15/16 po, desserrer les huit (8) vis hexagonales de 5/8 po fixant l'ensemble du pot de crépine au corps de pompe / moteur. Voir les Figures 11 et 12.
6. Tirer l'ensemble de la crépine vers l'avant depuis l'ensemble boîtier de pompe / plaques / moteur, comme illustré à la figure 12.
7. Retirer la crépine du joint torique de la pompe à l'avant du boîtier de la pompe. Reportez-vous à la Figure 12.

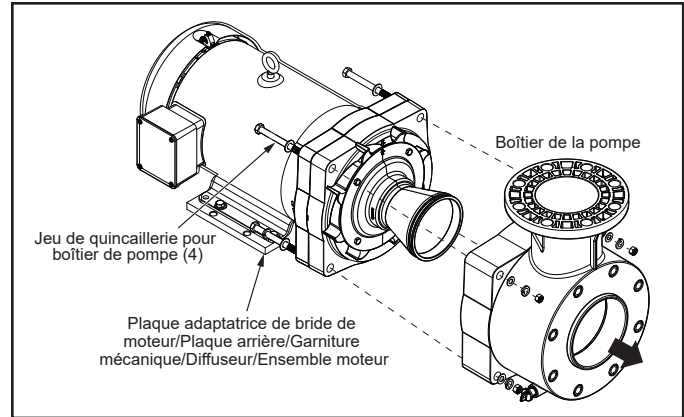


Figure 13. Retirer le boîtier de la pompe

8. À l'aide d'une clé 15/16 po, desserrer les quatre (4) vis hexagonales de la quincaillerie du boîtier de la pompe fixant le boîtier de la pompe au moteur / plaque d'adaptation de bride moteur / plaque arrière / joint mécanique / turbine / diffuseur. Reportez-vous à la Figure 13.
9. Tirer avec précaution le corps de pompe vers l'avant pour l'éloigner de l'ensemble moteur. S'assurer que le diffuseur dégage le corps de la pompe pendant ce processus. Reportez-vous à la Figure 13.

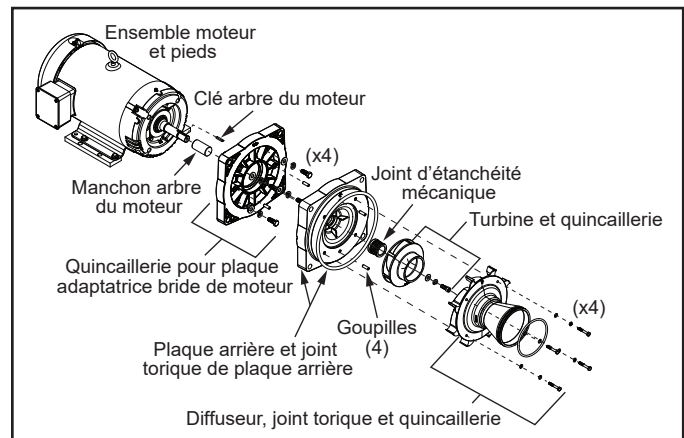


Figure 14. Retirer le joint mécanique, la turbine, le diffuseur et les accessoires du moteur

10. À l'aide d'une clé 7/16, desserrer les quatre (4) vis hexagonales fixant le diffuseur à la plaque arrière. Retirer délicatement le diffuseur et retirer le joint torique du diffuseur. Reportez-vous à la Figure 14.
11. Tenir la roue tout en utilisant une clé hexagonale 5/16 po pour retirer le boulon de la roue en tournant dans le sens antihoraire.

REMARQUE IMPORTANTE : Ne pas insérer d'outil dans les aubes de la turbine pour maintenir la roue. Cela endommagera ou même détruira les aubes de la turbine. Tenir la turbine à la main ou utiliser une clé à sangle.
12. Retirer la turbine et la clavette de l'arbre d'entraînement avec précaution de l'arbre d'entraînement. Veiller à ne pas perdre la clavette de l'arbre de transmission.
13. Retirer le joint torique de la plaque arrière et vérifier qu'il n'est pas endommagé.
14. Retirez la moitié du joint à face de carbone de l'arbre du moteur. Il s'agit d'un joint chargé par un ressort.

Saisissez la portion du joint d'étanchéité le plus proche possible du corps de l'impulseur et enlevez le joint d'étanchéité en exerçant un mouvement de torsion.

15. À l'aide de deux tournevis à tête plate, insérer les extrémités dans les deux ouvertures latérales entre la plaque arrière et la plaque d'adaptation de la bride du moteur. Tirer lentement et uniformément la plaque arrière vers l'avant. Veiller à ne pas endommager le joint latéral en céramique.
16. Pour les moteurs avec un châssis NEMA 182-184 JM, utiliser une clé à douille 9/16 po pour desserrer les quatre (4) vis hexagonales fixant la plaque d'adaptation de bride du moteur au moteur. Pour les cadres NEMA 213-215 JM, utiliser une clé à douille 3/4 po. Retirer délicatement la plaque d'adaptation de la bride du moteur en évitant tout impact sur l'arbre du moteur et mettre de côté. Reportez-vous à la Figure 14.

6.5 Ensemble pompe

1. Fixer la plaque d'adaptation de bride du moteur à l'assemblage du moteur à l'aide des quatre jeux de quincaillerie (vis hexagonales, rondelles fendues et rondelles plates). La plaque d'adaptation de bride est marquée « TOP » pour indiquer la bonne orientation. S'assurer que l'arbre d'entraînement du moteur n'est pas touché pendant cette opération.
2. Vérifier que les deux (2) goupilles sont insérées pour aider à aligner la plaque arrière.
3. Aligner la plaque arrière avec les broches d'alignement correspondantes de la plaque d'adaptation et avec la flèche frontale dirigée vers le bas. Pousser la plaque arrière sur les broches d'alignement jusqu'à ce que la surface arrière affleure la plaque d'adaptation. Tapoter légèrement sur la face avant de la plaque arrière avec un marteau souple ou un maillet si nécessaire.
4. Installer le côté du joint en céramique en lubrifiant le joint et la coupelle avec de l'eau distillée et une solution savonneuse. Appuyer uniformément et fermement avec la main sur le joint dans la poche du joint. Ne pas utiliser de lubrifiant pour joint torique pour installer ce joint. Ne pas utiliser d'outil pour enfoncer le joint dans la poche. Nettoyer la surface de la céramique avec un chiffon non abrasif. Avant d'installer le joint à ressort, s'assurer que la surface de la céramique est exempte de fissures, de copeaux et de débris. En cas de dommage, le remplacer immédiatement.
5. Installer le côté du joint à ressort en lubrifiant avec de l'eau distillée et une solution savonneuse. Ne pas utiliser de lubrifiant pour joint torique pour installer ce joint. Ne pas utiliser d'outil pour installer ce joint. S'assurer que le côté carbone du joint fait face au côté céramique et que le côté caoutchouc fait face à la turbine. À la main, appuyer lentement sur le joint sur le manchon d'arbre d'entraînement jusqu'à ce que les deux surfaces de joint se touchent presque. Le joint ne doit pas être compressé et pendre légèrement sur l'extrémité du manchon d'arbre d'entraînement du moteur.
6. Installer la clavette d'arbre dans la fente de l'arbre d'entraînement du moteur. Aligner la rainure de clavette de la turbine avec la clavette de l'arbre d'entraînement. Appuyer sur la turbine sur l'arbre d'entraînement. Fixer la turbine avec la vis à six pans creux, la rondelle fendue et la rondelle plate. Tourner lentement dans le sens des aiguilles d'une montre pour serrer la vis jusqu'à ce qu'elle soit bien serrée. La turbine pressera lentement les deux faces du joint ensemble et comprimera le joint à ressort dans la bonne position.
7. Fixer le diffuseur en alignant la flèche sur la face avant du diffuseur avec la flèche sur la plaque arrière. Le diffuseur doit appuyer sur les deux broches d'alignement situées dans la plaque arrière. Fixer le diffuseur à l'aide des boulons hexagonaux, de la rondelle fendue et de la rondelle plate. Placer le joint torique du diffuseur dans la rainure autour de l'entrée. S'assurer que le joint torique n'est pas endommagé ou tordu pendant l'installation. Le joint torique peut être lubrifié au silicone pour faciliter l'assemblage du corps de pompe.
8. Installez le joint torique de la plaque arrière. S'assurer de ne pas le tordre. Le joint torique peut être lubrifié au silicone pour faciliter l'assemblage du corps de pompe.
9. Faire glisser le boîtier de la pompe sur l'assemblage du moteur et le fixer avec les quatre (4) jeux de quincaillerie (vis hexagonales, rondelles fendues, rondelles plates et écrous). S'assurer que les rondelles fendues sont placées sous l'écrou hexagonal.
10. Serrer légèrement les boulons selon un motif en « X » croisé à l'aide d'une clé de 15/16 po pour tirer la plaque arrière sur le corps de manière uniforme. Une fois que tous les boulons sont bien serrés, serrer dans le même ordre à 20 lb-pi de couple.
11. Fixer l'assemblage de la crépine sur le corps de pompe assemblé avec le moteur à l'aide des huit (8) vis hexagonales, des rondelles fendues et des rondelles plates. Serrez légèrement les boulons dans un croisement en « X » à l'aide d'une clé de 15/16 po en commençant par les quatre (4) situés à l'intérieur (milieu), puis les quatre (4) situés à l'extérieur (haut et bas) pour tirer la plaque arrière vers le corps de façon égale. Une fois que tous les boulons sont bien serrés, serrer dans le même ordre à 20 lb-pi de couple.
12. Si la pompe est située au-dessus du niveau d'eau de la piscine, retirer le couvercle et remplir le préfiltre d'eau avant de démarrer la pompe. Voir la section « Entretien de la crépine » pour plus de détails.

Remarque Pour éviter les fuites dans le système, vérifier qu'il n'y a pas de débris autour du siège du joint torique du couvercle avant de replacer le couvercle.

AVERTISSEMENT

Si des vannes ont déjà été fermées, repositionnez chaque vanne pour éviter la fermeture de la décharge de la pompe, également appelée le « retour à vide ». L'air emprisonné dans le système peut faire sauter le couvercle du filtre. Cela peut entraîner des dommages matériels, des blessures graves ou la mort. Veiller à ce que tout l'air a quitté le système avant d'utiliser l'équipement.

13. Serrer le couvercle à la main pour assurer une bonne étanchéité. Ne pas utiliser des outils pour serrer le couvercle.
14. S'assurer que les bouchons de vidange sont installés et serrés à la main.

REMARQUE IMPORTANTE : Le fait de ne pas retirer le bouchon central du couvercle avant l'entretien augmentera considérablement la difficulté d'assemblage ou de démontage du couvercle et peut provoquer la rupture des languettes de levage du couvercle.

Section 7. Dépannage et réparation

Jandy vous recommande vivement d'appeler un technicien qualifié pour toute intervention sur le système de filtration/pompe. Pour trouver un technicien qualifié, visiter jandy.com ou jandy.ca.

REMARQUE : Ne jamais travailler sur la pompe sans s'assurer que celle-ci est hors tension.

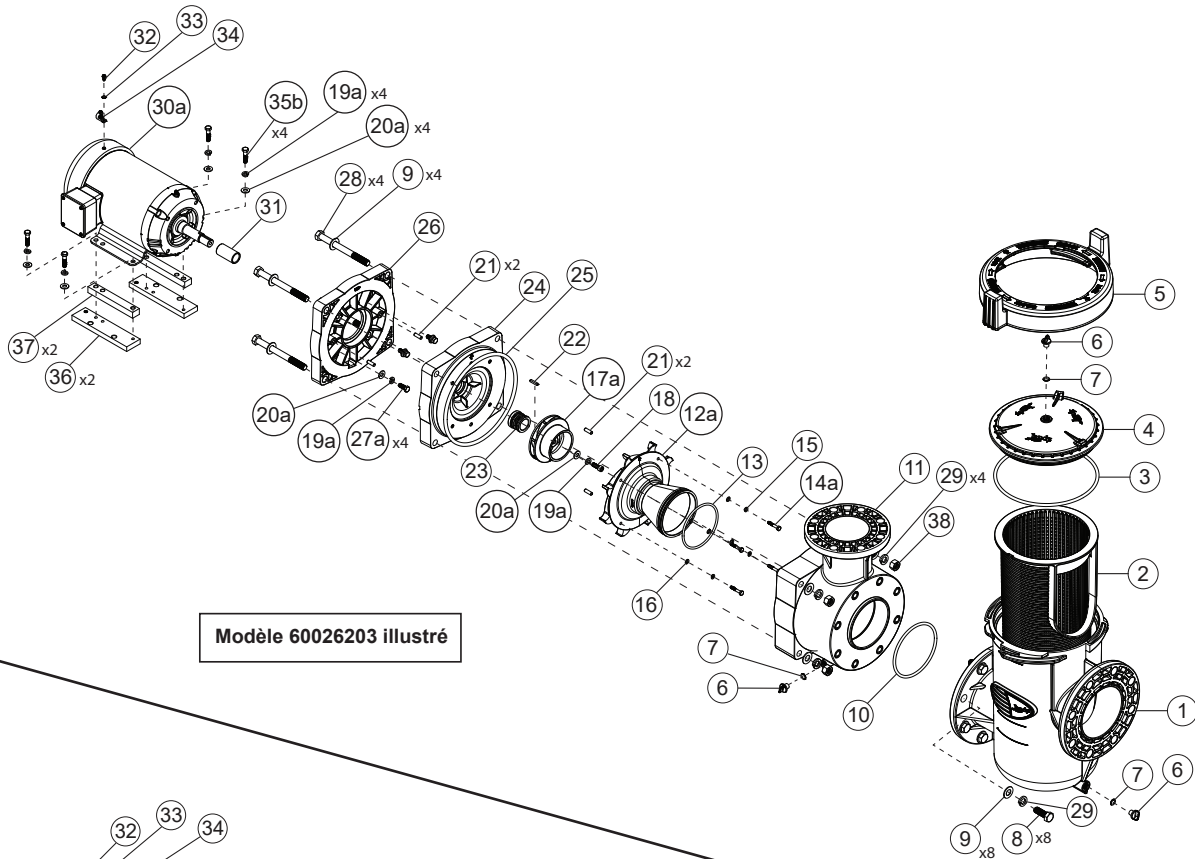
Symptôme	Cause possible	Solution
La pompe ne s'amorce pas	Fuite d'air dans la ligne d'aspiration.	S'assurer que tous les boulons de bride sont correctement serrés et que les joints sont positionnés au centre de la bride. Vérifier que la plomberie est de niveau et que les raccords de bride sont parallèles les uns aux autres. S'assurer que le couvercle de la crépine est correctement installé et que le joint torique est exempt de déchirures et de débris. Si nécessaire, nettoyer le joint torique avec de l'eau savonneuse ou le remplacer. Inspecter s'il y a des fissures sur le couvercle. S'assurer que tous les bouchons de vidange sont bien serrés.
	Pas d'eau présente dans la pompe ou la crépine.	S'assurer que la crépine est installée sur l'entrée de la pompe ou que la plomberie de sortie de la crépine est au même niveau que l'entrée de la pompe. La pompe JCP n'est pas une pompe auto-amorçante à moins que la crépine ne soit incluse du côté aspiration. La crépine ne doit pas être installée sous le niveau de la pompe. Lors du remplissage de la crépine avec de l'eau, remplir jusqu'à ce que le niveau d'eau atteigne la plomberie d'entrée. Dans les cas d'aspiration noyée, la crépine peut être remplie plus haut pour minimiser la quantité d'air dans le pot de crépine lorsque la pompe démarre. S'assurer que le niveau d'eau de la piscine n'est pas sous l'écumoire.
	Vannes fermées ou conduites obstruées.	Ouvrir toutes les vannes dans le système. Nettoyer l'écumoire et les paniers de la crépine de la pompe. Ouvrir la pompe et vérifier la présence de débris à l'intérieur de la turbine.
	La pompe est trop haute au-dessus de la piscine	La pompe ne doit pas être à plus de 10 pieds au-dessus de la surface de la piscine. Si possible, réduire la hauteur de la pompe par rapport à la surface de l'eau. Plus la pompe est installée haut au-dessus de la surface, plus il faudra de temps pour qu'elle s'amorce. L'amorçage à des hauteurs de 10 pieds peut prendre jusqu'à 10 minutes. Si la pompe ne s'amorce pas dans les 45 minutes, vérifier s'il y a des fuites à la plomberie d'entrée.
	La pompe est trop loin de la piscine	Vérifier la distance de la piscine et s'assurer qu'un clapet anti-retour est en place pour la plomberie d'entrée longue distance. Les clapets anti-retour maintiendront la plomberie d'entrée remplie d'eau lorsque la pompe ne fonctionne pas.
	La pompe tourne à l'envers	La bonne rotation de la pompe est l'extrémité dans le sens horaire. S'assurer que le moteur tourne dans le même sens que celui indiqué sur les étiquettes de rotation situées sur la pompe et le moteur. La rotation du moteur peut être inversée en commutant 2 fils de ligne pour les moteurs triphasés. Pour les moteurs monophasés pouvant tourner dans les deux sens, reportez-vous au schéma de câblage du moteur.

Symptôme	Cause possible	Solution
Le moteur ne tourne pas	Aucune alimentation vers le moteur.	Vérifier que tous les disjoncteurs sont activés et non en position de surcharge. Si la pompe est contrôlée par un VFD, s'assurer que le contrôleur est allumé et alimente le moteur.
	Protecteur thermique déclenché	Vérifier la température du moteur, si le moteur est chaud, le protecteur thermique peut avoir éteint le moteur.
	Le moteur est mal connecté	Vérifier le schéma de câblage et vérifier la configuration nécessaire pour la source d'alimentation.
	Arbre d'entraînement grippé	Le moteur étant hors tension, tourner l'arbre d'entraînement du moteur manuellement. L'arbre d'entraînement doit tourner librement à la main sans se coincer ni tirer. Si l'arbre d'entraînement ne tourne pas librement, démonter la pompe et réparer.
Débit faible	Filtre sale.	Nettoyer les filtres lorsque la pression de retour est élevée.
	Panier de l'écumoire sale.	Voir problème 1.
	Fuite d'air dans la ligne d'aspiration.	
	Vannes fermées ou conduites obstruées.	
La pompe tourne à l'envers		
Le moteur devient chaud	Tension faible ou une tension incorrecte.	Faire vérifier la tension du moteur par un électricien certifié. La tension au moteur doit être inférieure à 10 % de la tension indiquée sur la plaque signalétique. Si la tension est en dehors de cette plage, contacter le fournisseur d'électricité local.
	Câblage incorrect, déséquilibre de phase	Vérifier que le schéma de câblage correspond à la configuration utilisée pour l'alimentation électrique. Vérifier que le courant sur toutes les phases est presque identique. Si un courant de phase est notablement plus élevé que les autres, le moteur fonctionne avec un déséquilibre de phase. Éteindre le moteur et vérifier les connexions de câblage pour les connexions de conducteur effilochées, cassées ou partielles. Couper et dénuder les fils si nécessaire. Vérifier la tension entre chaque phase. La variation de tension entre les phases ne doit pas être supérieure à 5 %. Si les connexions sont sûres, la tension de phase est similaire et qu'un déséquilibre de phase est toujours présent, l'isolation de l'enroulement du moteur peut être endommagée et le moteur doit être réparé ou remplacé.
	Fil trop petit	Augmenter le calibre de fil de tous les fils allant au moteur.
	Installation directement orientée vers les rayons du soleil.	Il est préférable de protéger la pompe des rayons directs du soleil.
	Une mauvaise ventilation.	Ne pas enfermer la pompe dans un petit endroit ayant un minimum de circulation d'air. Veiller à ce qu'il y a suffisamment de place autour du moteur pour que l'air circule et maintienne le moteur frais.

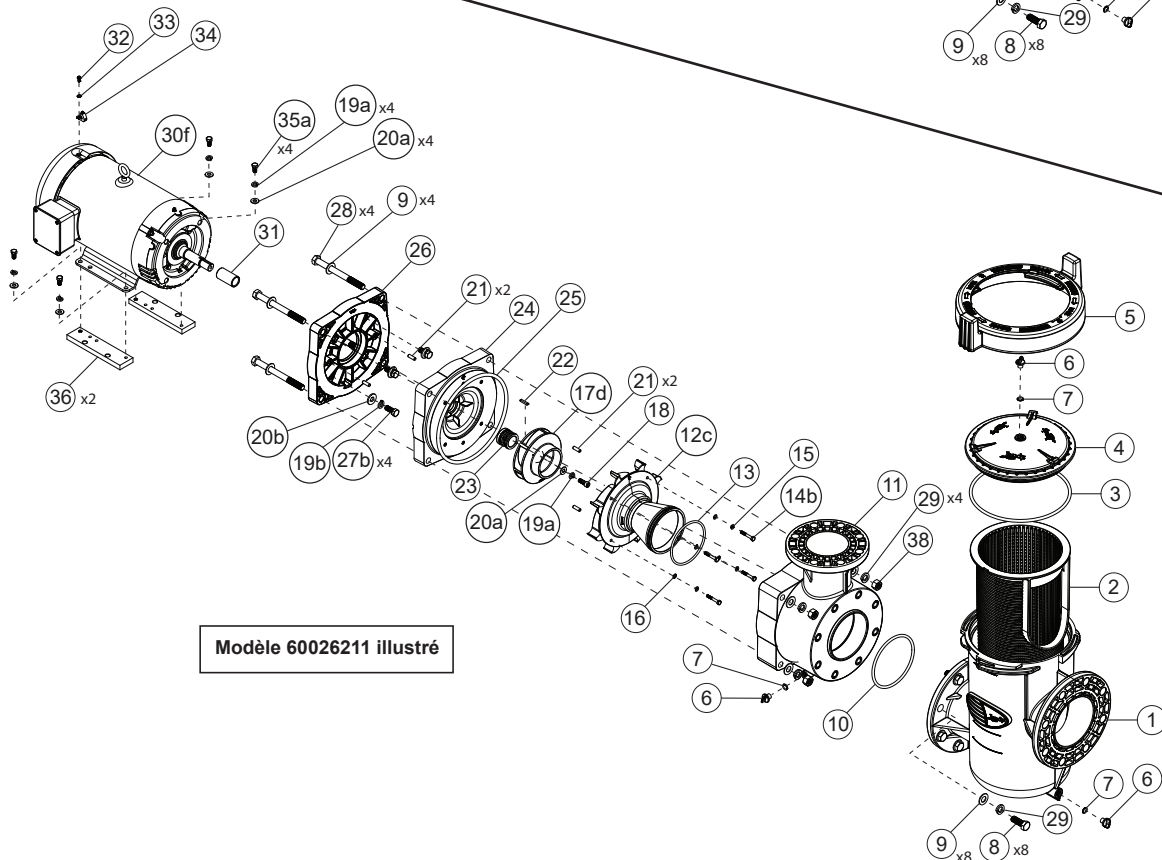
Symptôme	Cause possible	Solution
Moteur bruyant	Mauvais roulements.	Demander à un technicien certifié de remplacer les roulements.
	Coups de rotor	Faire vérifier le rotor par un technicien certifié.
	Débris dans le carénage du ventilateur	Avec le courant éteint, retirer le couvercle du ventilateur du moteur et nettoyer tous les débris qui pourraient être piégés à l'intérieur. Inspecter le ventilateur pour tout dommage. Si le ventilateur est endommagé ou s'il manque des pales, le remplacer immédiatement. Une charge de ventilateur déséquilibrée peut endommager les roulements.
Pompe bruyante	Fuite d'air d'aspiration	Voir problème 1.
	Conduite d'aspiration restreinte en raison d'une obstruction ou d'un tuyau sous-dimensionné. Lecture de vide élevée au niveau de l'aspiration de la pompe.	Nettoyer l'écumoire et les paniers de la crépine de la pompe. Inspecter la tuyauterie pour déceler d'autres blocages. S'assurer que toutes les vannes du côté aspiration de la pompe sont complètement ouvertes. Le diamètre minimum du tuyau pour l'entrée de toutes les pompes JCP est de 6 pouces.
	Débris dans la turbine de la pompe	Démonter la pompe et vérifier s'il y a du gravier, des bâtons, des feuilles, du plâtre ou tout autre corps étranger qui pourrait obstruer la turbine. Des débris fins peuvent également se trouver entre la turbine et le diffuseur sur le nez de la roue.
	La pompe tourne à l'envers	Voir problème 1.
	Cavitation	Améliorer les conditions d'aspiration de la pompe. Augmenter la taille de la plomberie, réduire le nombre de raccords à 90 degrés. Augmenter la contre-pression sur la pompe en fermant une vanne sur la sortie de la pompe. Réduire la distance de hauteur d'aspiration.
Si les problèmes persistent, contacter le support technique de Jandy au 1 800 822-7933		

Section 8. Liste des pièces de rechange

Le regroupement des illustrations de pièces couvre tous les modèles de pompes JCP Jandy. Le tableau de la page 18 indique le nom de chaque pièce. Si vous avez besoin d'un remplacement, reportez-vous au schéma ci-dessous - localisez la pièce qui correspond aux pièces de votre pompe. Contactez votre fournisseur Jandy local avec le numéro de clé et la description des pièces requises, ainsi que le numéro de modèle de votre pompe, numéro de spécifications et numéro de série, qui se trouvent sur les plaques signalétiques de la pompe.



Modèle 60026203 illustré



Modèle 60026211 illustré

Pour une liste complète des pièces de rechange, veuillez visiter www.Jandy.com ou contacter le support technique de Jandy au 1 800 822-7933 ou envoyer un courriel à productsupport@fluidra.com.

NUMÉROS DE CLÉ JCP			
Numéro de clé	Description	Nombre de HP	Qté
1	Pot de crépine	Tout	1
2	Panier de la crépine	Tout	1
3	Joint torique, couvercle de pot de crépine, 8 x 265 mm	Tout	1
4	Couvercle, transparent	Tout	1
5	Anneau de blocage	Tout	1
6	Bouchon de vidange	Tout	3
7	Joint torique, bouchon de vidange, n° 2-112	Tout	3
8	Vis hexagonale, 5/8 po - 11 X 1-3/4 po	Tout	8
9	Vis plate, 11/16 po X 1-5/16 po x 0,78 po	Tout	8
10	Joint torique, crépine à la pompe, 1/4 po x 5 7/8 po, Tableau n° 436	Tout	1
11	Boîtier de la pompe	Tout	1
12a	Diffuseur, 5-7,5 HP	5, 7,5	1
12b	Diffuseur, 10 HP	10	1
12c	Diffuseur, 15 HP	15	1
13	Joint torique, diffuseur, 3/16 po x 4 7/8 po, Tableau n° 352	Tout	1
14a	Vis hexagonale, diffuseur, 1/4-20 X 1-1/2 po	5, 7,5, 10	4
14b	Vis hexagonale, diffuseur, 1/4-20 X 1-3/4 po	15	4
15	Rondelle fendue, 1/4 po	Tout	4
16	Vis plate, 1/4 po X 1/2 po x 0,057 po	Tout	4
17a	Turbine, 5 HP	5	1
17b	Turbine, 7,5 HP	7,5	1
17c	Turbine, 10 HP	10	1
17d	Turbine, 15 HP	15	1
18	Vis hexagonale, turbine, 3/8 po - 16 X 1 po	Tout	1
19a	Rondelle fendue, 3/8 po	Tout	9 ou 5
19b	Rondelle fendue, 1/2 po	7,5, 10, 15	4
20a	Rondelle plate, 3/8 po	Tout	9 ou 5
20b	Rondelle plate, 1/2 po	7,5, 10, 15	4
21	Tenon de guidage 5/16 po X 1 po	Tout	4
22	Clé, arbre, moteur	Tout	1
23	Garniture mécanique, assemblage, 1/4 po type 2100	Tout	1
24	Plaque arrière	Tout	1
25	Joint torique, plaque arrière, 3/8 po x 10 po	Tout	1
26	Plaque adaptatrice bride de moteur	Tout	1
27a	Vis hexagonale, 3/8 -16 X 1 po	5	4
27b	Vis hexagonale, 1/2 po -13 X 1-1/4 po	7,5, 10, 15	4
28	Vis hexagonale, 5/8 -11 X 7 po	Tout	4
29	Rondelle fendue, 11/16 po	Tout	4 ou 12

NUMÉROS DE CLÉ JCP			
Numéro de clé	Description	Nombre de HP	Qté
30a	Moteur, 5 HP - 3 PH	5	1
30b	Moteur, 5 HP - 1 PH	5	1
30c	Moteur, 7,5 HP - 3 PH	7,5	1
30d	Moteur, 7,5 HP - 1 PH	7,5	1
30e	Moteur, 10 HP - 3 PH	10	1
30f	Moteur, 15 HP - 3 PH	15	1
31	Manchon d'arbre, 1 po x 1-1/4 po x 2,36 po	Tout	1
32a	Vis hexagonale, # 10-32 X 1/2 po	Moteur TEFC	1
32b	Vis hexagonale, # 10-32 X 1/2 po Coupe-fil	Moteur ODP	1
33	Rondelle en étoile, # 10	Tout	1
34	Languette de liaison, double voie	Tout	1
35a	Vis hexagonale, 3/8 po - 16 X 3/4 po	7,5, 10, 15	4
35b	Vis hexagonale, 3/8 po - 16 X 1-1/2 po	5	4
36	Support de moteur, Cadre 215JM	Tout	2
37	Support de moteur, Cadre 184JM	5	2
38	Écrou, laiton, 5/8 po - 11	Tout	4

8.1 JCP R- Liste de trousse

Pour une liste complète des pièces de rechange, veuillez visiter www.Jandy.com ou contacter le support technique de Jandy au 1 800 822-7933 ou envoyer un courriel à productsupport@fluidra.com.

JCP R- Liste de trousse				
R-Numéro de trousse	Numéro de pièces	Description	Numéro de clé	Qté
1	R0920400	Moteur, 5 HP, triphasé	30a	1
			36	2
			37	2
			35b	4
			19a	4
			20a	4
			31	1
			22	1
			32	1
			33	1
			34	1
2	R0920500	Moteur, 5 HP, monophasé	30b	1
			36	2
			37	2
			35b	4
			19a	4
			20a	4
			31	1
			22	1
			32	1
			33	1
			34	1
3	R0920600	Moteur, 7,5 HP, triphasé	30c	1
			36	2
			35a	4
			19a	4
			20a	4
			31	1
			22	1
			32	1
			33	1
			34	1

JCP R- Liste de trousse				
R-Numéro de trousse	Numéro de pièces	Description	Numéro de clé	Qté
4	R0920700	Moteur, 7,5 HP, monophasé	30d	1
			36	2
			35a	4
			19a	4
			20a	4
			31	1
			22	1
			32	1
			33	1
			34	1
5	R0920800	Moteur, 10 HP, triphasé	30e	1
			36	2
			35a	4
			19a	4
			20a	4
			31	1
			22	1
			32	1
			33	1
			34	1
6	R0920900	Moteur, 15 HP, triphasé	30f	1
			36	2
			35a	4
			19a	4
			20a	4
			31	1
			22	1
			32	1
			33	1
			34	1
7	R0921000	Plaque adaptatrice bride de moteur	26	1
			21	2
8	R0921100	Plaque arrière avec jeu de joints d'étanchéité	24	1
			23	1
			25	1
			21	2
9	R0921200	Turbine et jeu de quincaillerie, 5 HP	17a	1
			20a	1
			19a	1
			18	1
			22	1

JCP R- Liste de trousse				
R-Numéro de trousse	Numéro de pièces	Description	Numéro de clé	Qté
10	R0921300	Turbine et jeu de quincaillerie, 7,5 HP	17b	1
			20a	1
			19a	1
			18	1
			22	1
11	R0921400	Turbine et jeu de quincaillerie, 10 HP	17c	1
			20a	1
			19a	1
			18	1
			22	1
12	R0921500	Turbine et jeu de quincaillerie, 15 HP	17d	1
			20a	1
			19a	1
			18	1
			22	1
13	R0921600	Diffuseur et jeu de quincaillerie, 5 à 7,5 HP	12a	1
			14a	4
			15	4
			16	4
			13	1
14	R0921700	Diffuseur et jeu de quincaillerie, 10 HP	12b	1
			14a	4
			15	4
			16	4
			13	1
15	R0921800	Diffuseur et jeu de quincaillerie, 15 HP	12c	1
			14b	4
			15	4
			16	4
			13	1
16	R0921900	Trousse de boîtier de pompe	11	1
			25	1
			10	1
			6	1
			7	1
17	R0922000	Quincaillerie pour plaque adaptatrice bride de moteur, 215JM	27b	4
			20b	4
			19b	4
18	R0922100	Quincaillerie pour plaque adaptatrice bride de moteur, 184JM	35a	4
			20a	4
			19a	4

JCP R- Liste de trousse				
R-Numéro de trousse	Numéro de pièces	Description	Numéro de clé	Qté
19	R0922200	Jeu de quincaillerie pour boîtier de pompe	28	4
			9	8
			29	4
			38	4
20	R0922300	Pot de crépine	1	1
			6	1
			7	1
21	R0922400	Panier de la crépine	2	1
22	R0922500	Jeu d'anneau de blocage et couvercle	5	1
			4	1
			3	1
			6	1
			7	1
23	R0922600	Jeu de quincaillerie pot de crépine	8	8
			9	8
			29	8
24	R0922700	Jeu de joints d'étanchéité pour pompe JCP	25	1
			13	1
			3	1
			10	1
			7	3
25	R0922800	Jeu de tenon de guidage	21	4
26	R0922900	Jeu de joint torique pour pot de crépine	10	1
27	R0923000	Trousse pour joint mécanique	23	1
28	R0923100	Jeu de joint torique pour couvercle de pot de crépine	3	1
29	R0923200	Jeu de joint torique pour diffuseur	13	1
30	R0923300	Trousse pour le joint torique de la plaque arrière	25	1
31	R0923400	Trousse de chemise d'arbre	31	1
32	R0923500	Trousse de languette de liaison	32	1
			33	1
			34	1
33	R0446000	Ensemble bouchon de vidange	6	2
			7	2

Section 9. Dimensions du produit

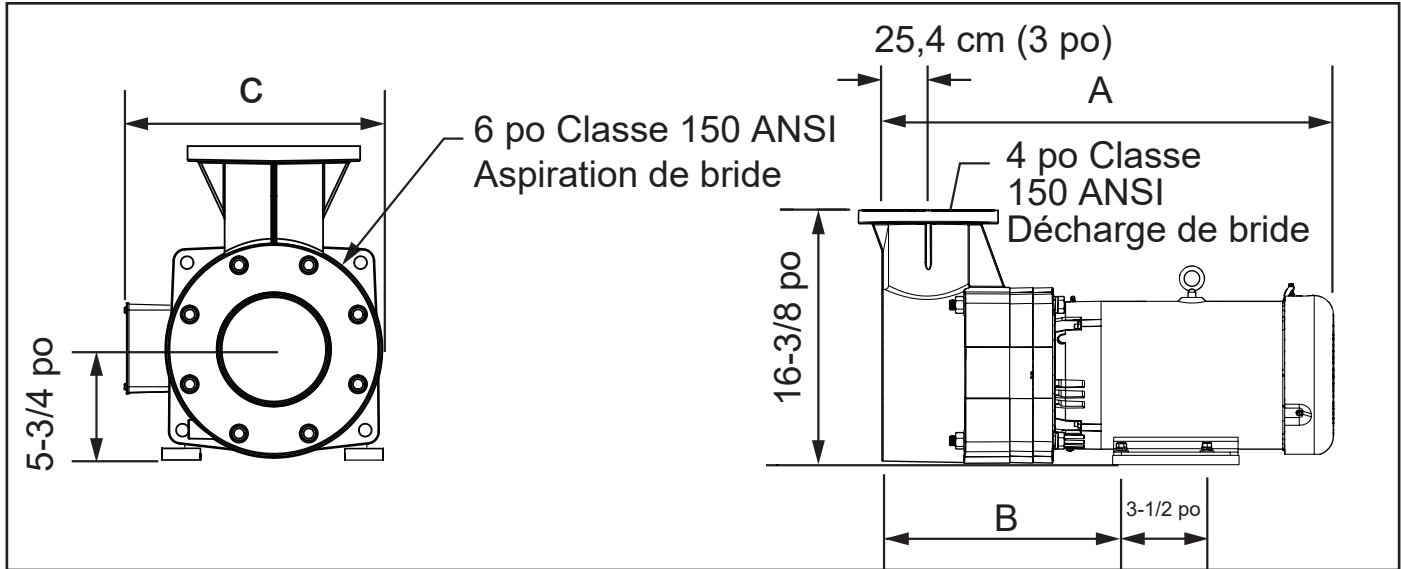


Figure 15. Pompe sans dimensions pour pot de crépine

Pompe sans pot de crépine

Numéro SKU	A	B	C	Poids d'expédition (lb)	Dimension de transport
JCP05-1CT-N	26 1/4 po	16 po	12 1/2 po	138	33 po x 24 po x 25,25 po
JCP07-1BD-N	25 po	17 po	13 1/2 po	157	
JCP05-3AT-N	24-3/4 po	16 po	12 1/2 po	129	
JCP07-3AT-N	26 1/2 po	17 po	13 1/2 po	161	
JCP10-3AT-N	26 1/2 po	17 po	13 1/2 po	169	
JCP15-3AT-N	29 po	17 po	13 1/2 po	209	

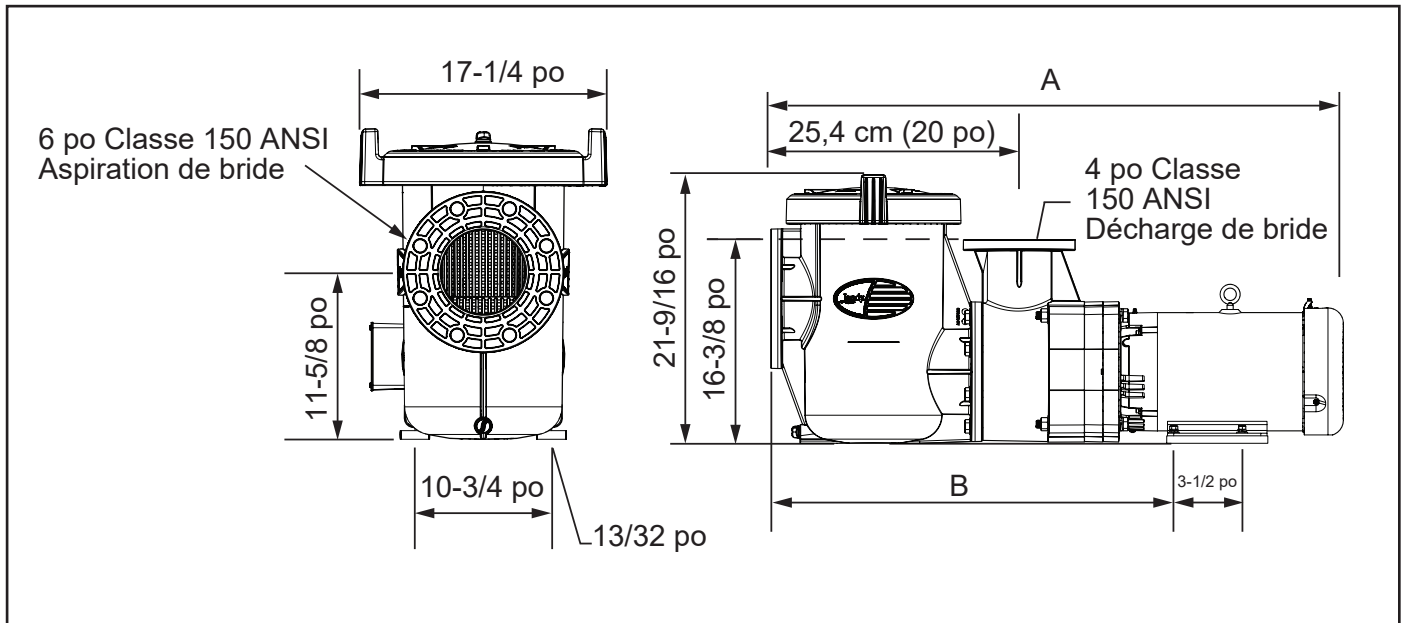


Figure 16. Pompe avec dimensions pour pot de crépine

Pompe avec pot de crépine

Numéro SKU	A	B	C	Poids d'expédition (lb)	Dimension de transport
JCP05-1CT-S	43 1/4 po	33 po	12 1/2 po	178	48 po x 24 po x 28 po
JCP07-1BD-S	42 po	34 po	13 1/2 po	197	
JCP05-3AT-S	41-3/4 po	33 po	12 1/2 po	169	
JCP07-3AT-S	43 1/2 po	34 po	13 1/2 po	201	
JCP10-3AT-S	43 1/2 po	34 po	13 1/2 po	209	
JCP15-3AT-S	46 po	34 po	13 1/2 po	249	

Section 10. Spécifications du produit

10.1 Spécifications

Numéro SKU	CV du moteur	S.F	Volts	Phase	Hz	Vitesse
JCP05-1CT-N	5	1,15	208-230	1	60	3450
JCP07-1BD-N	7,5	1,15	230	1	60	3450
JCP05-3AT-N	5	1,15	208-230/460	3	60	3450
JCP07-3AT-N	7,5	1,15	208-230/460	3	60	3520
JCP10-3AT-N	10	1,15	208-230/460	3	60	3510
JCP15-3AT-N	15	1,15	208-230/460	3	60	3500
JCP05-1CT-S	5	1,15	208-230	1	60	3450
JCP07-1BD-S	7,5	1,15	230	1	60	3450
JCP05-3AT-S	5	1,15	208-230/460	3	60	3450
JCP07-3AT-S	7,5	1,15	208-230/460	3	60	3520
JCP10-3AT-S	10	1,15	208-230/460	3	60	3510
JCP15-3AT-S	15	1,15	208-230/460	3	60	3500

Numéro SKU	Aspiration	Refoulement	Armature JM	Ins	Convertisseur
JCP05-1CT-N	6	4	184	F	NO
JCP07-1BD-N	6	4	213	F	NO
JCP05-3AT-N	6	4	184	H	Prêt
JCP07-3AT-N	6	4	213	H	Prêt
JCP10-3AT-N	6	4	215	H	Prêt
JCP15-3AT-N	6	4	215	H	Prêt
JCP05-1CT-S	6	4	184	F	NO
JCP07-1BD-S	6	4	213	F	NO
JCP05-3AT-S	6	4	184	H	Prêt
JCP07-3AT-S	6	4	213	H	Prêt
JCP10-3AT-S	6	4	215	H	Prêt
JCP15-3AT-S	6	4	215	H	Prêt

Section 11. Données techniques

Pour obtenir une liste complète des pièces de rechange, visiter le site www.Jandy.com ou appeler le soutien technique de Jandy® au 1 800 822-7933 ou envoyer un courriel à l'adresse productsupport@fluidra.com.

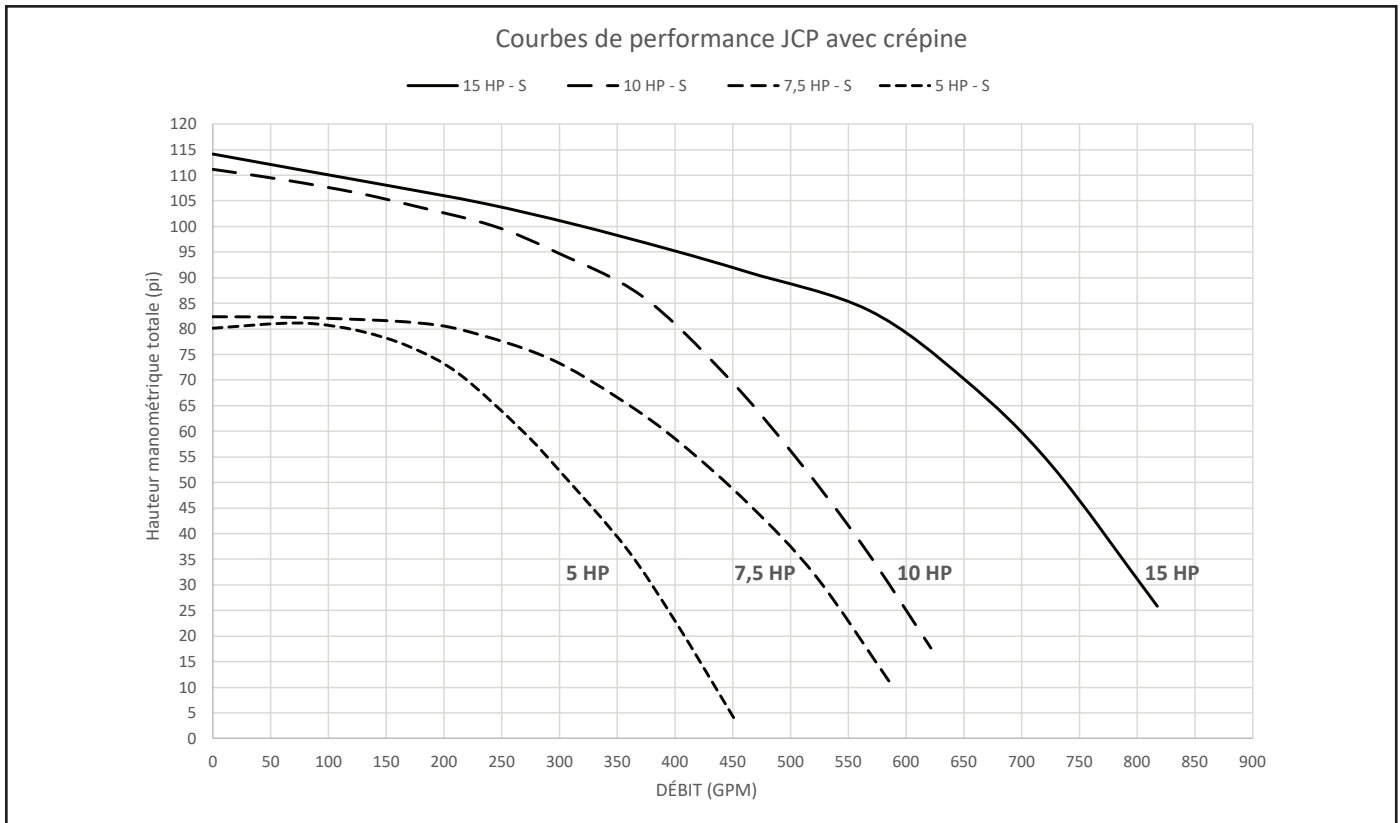


Figure 17. Jandy JCP avec courbes de pompe à crépine

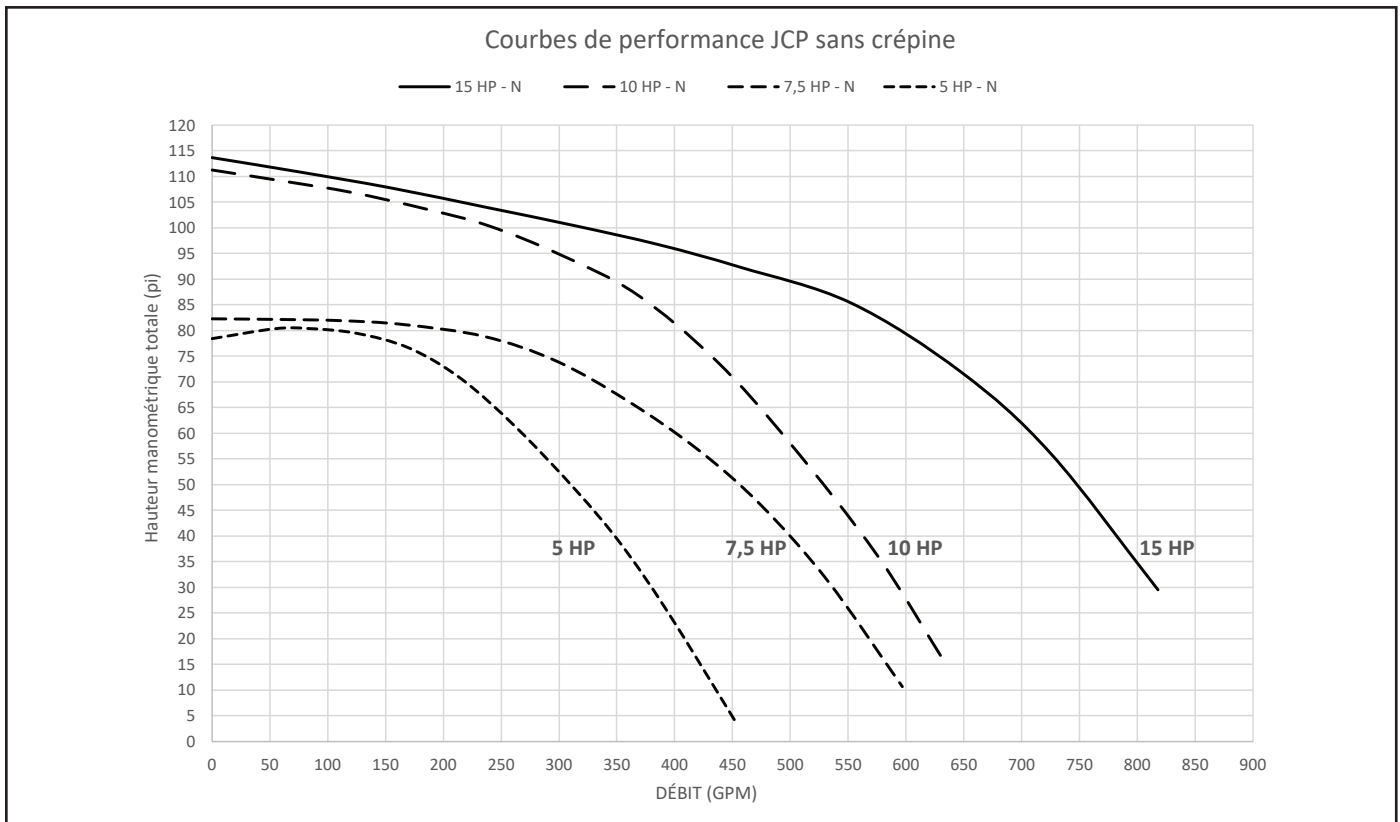


Figure 18. Jandy JCP sans courbes de pompe à crépine

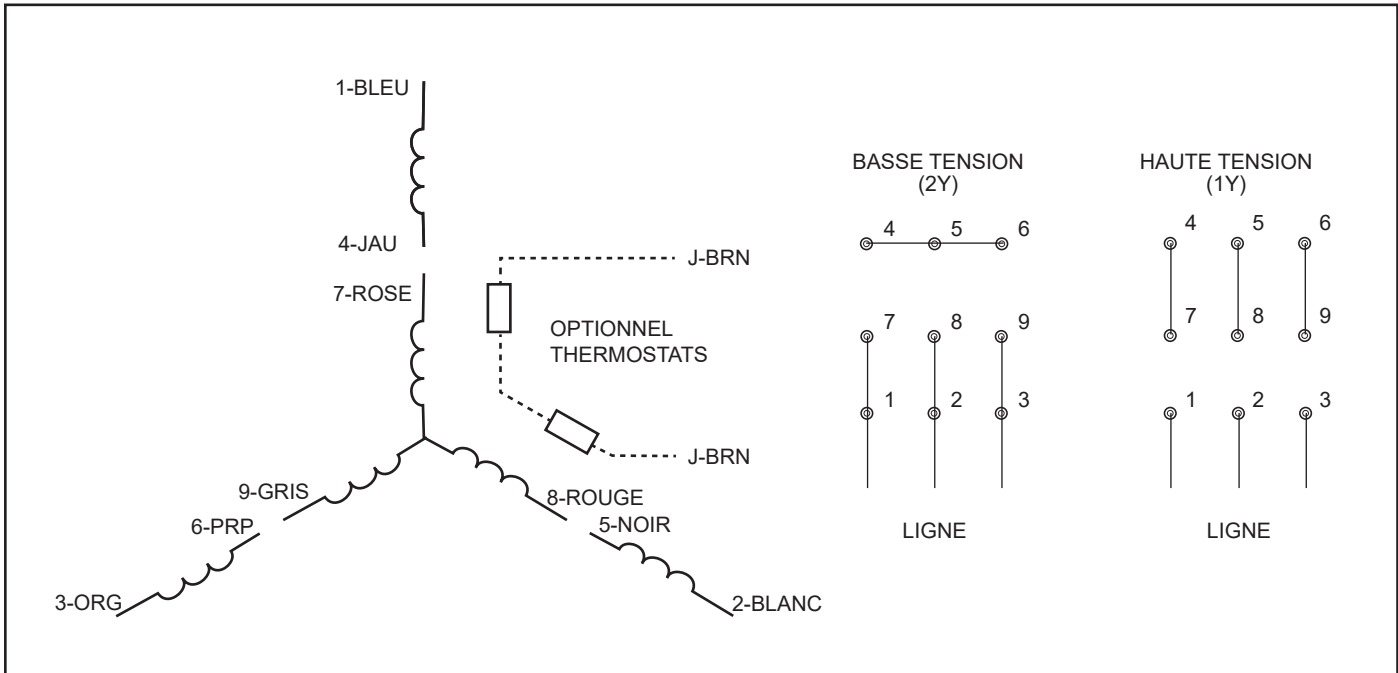


Figure 19. Jandy JCP schéma électrique - 5, 7,5, 10, 15 HP, triphasé

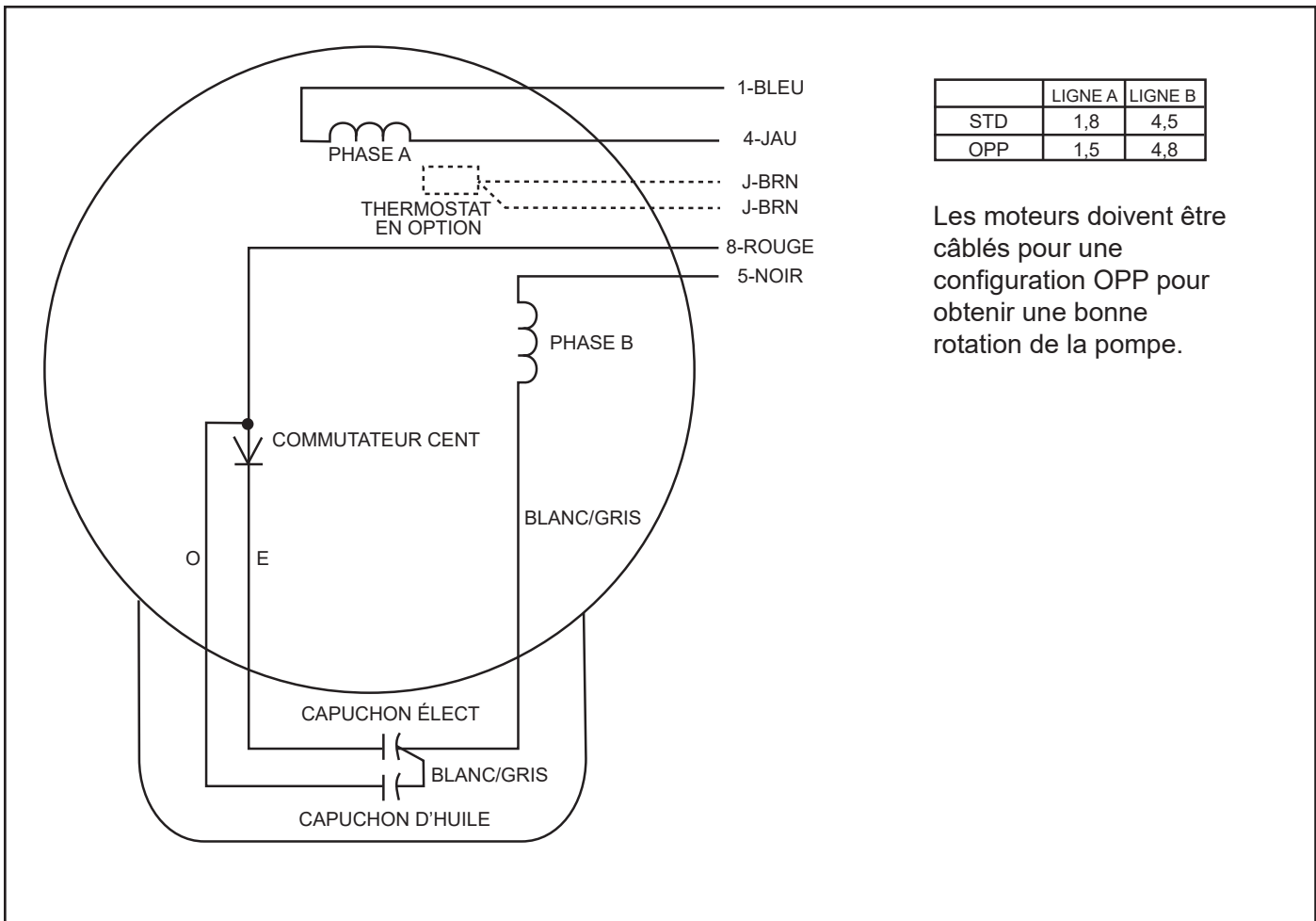


Figure 20. Jandy JCP schéma électrique - 5, 7,5 HP, monophasé

NOTES

NOTES

NOTES

Zodiac Pool Systems LLC

2882 Whiptail Loop # 100, Carlsbad, CA 92010

États-Unis | 1.800.822.7933 Jandy.com |

Zodiac Pool Systems Canada, Inc.

2-3365 Mainway

Burlington, Ontario L7M 1A6

1.888.647.4004 | www.ZodiacPoolSystems.ca

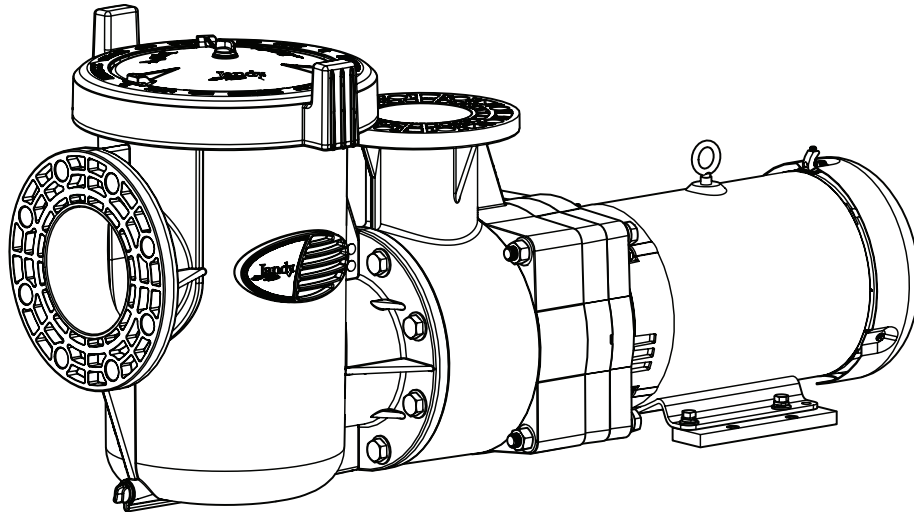
©2021 Zodiac Pool Systems LLC Tous droits réservés. ZODIAC® est une marque déposée de Zodiac International, S.A.S.U., utilisée sous licence. Toutes les autres marques de commerce mentionnées sont la propriété de leurs propriétaires respectifs.

H0679300 REVC



CONFORME À LA
NORME UL 1081
Certifié selon
CAN/CSA C22.2
n°108





Bombas comerciales de alto rendimiento Serie JCP

JCP05-1CT-N

JCP05-1CT-S

JCP07-1BD-N

JCP07-1BD-S

JCP05-3AT-N

JCP05-3AT-S

JCP07-3AT-N

JCP07-3AT-S

JCP10-3AT-N

JCP10-3AT-S

JCP15-3AT-N

JCP15-3AT-S

⚠ ADVERTENCIA

PARA SU SEGURIDAD: La instalación y el servicio técnico de este producto deben estar a cargo de un contratista cualificado y matriculado para trabajar con equipamientos para piscinas en la jurisdicción en la que se instalará el producto, donde existan tales requisitos estatales o locales. El técnico de servicio debe ser profesional y contar con experiencia suficiente en instalación y mantenimiento de equipamientos para piscinas, para que todas las instrucciones de este manual se puedan seguir exactamente. Antes de instalar este producto, lea y siga todos los avisos de advertencia y las instrucciones que se proporcionan con el producto. Si no se siguen los avisos de advertencia ni las instrucciones, es posible que se produzcan daños materiales, lesiones personales o la muerte. Una instalación u operación incorrectas pueden anular la garantía.



La instalación y la operación inadecuadas pueden generar peligros eléctricos no deseados que pueden provocar lesiones graves, daños materiales o la muerte.

ATENCIÓN, INSTALADOR: Este manual contiene información importante acerca de la instalación, la operación y la utilización seguras de este producto. Esta información debe proporcionarse al propietario/operador de este equipo.

Contenido

<p>Sección 1. Instrucciones importantes de seguridad 75</p> <p>1.1 Instrucciones de seguridad 75</p> <p>1.2 Pautas para la prevención de atrapamiento por la succión de la bomba 77</p> <p>Sección 2. Descripción general 78</p> <p>2.1 Operación de la bomba serie JCP..... 78</p> <p>Sección 3. Instalación mecánica y eléctrica y pruebas de presión 79</p> <p>3.1 Manipulación de la bomba 79</p> <p>3.2 Ubicación de la bomba..... 79</p> <p>3.3 Instalación mecánica 80</p> <p>3.4 Instalación eléctrica..... 80</p> <p>3.5 Servicio del receptáculo del tamiz..... 82</p> <p>3.6 Pruebas de presión, receptáculo del tamiz 83</p> <p>Sección 4. Operación de la bomba Jandy JCP 85</p> <p>4.1 Cebado..... 85</p>	<p>Sección 5. Mantenimiento y almacenamiento 86</p> <p>5.1 Mantenimiento..... 86</p> <p>5.2 Almacenamiento..... 86</p> <p>Sección 6. Servicio.87</p> <p>6.1 Herramientas necesarias 87</p> <p>6.2 Repuestos 87</p> <p>6.3 Piezas alternativas 87</p> <p>6.4 Desensamblaje de la bomba..... 87</p> <p>6.5 Conjunto de la bomba 89</p> <p>Sección 7. Resolución de problemas y reparación 90</p> <p>Sección 8. Lista de repuestos..... 93</p> <p>8.1 Lista del kit JCP R 96</p> <p>Sección 9. Dimensiones del producto 100</p> <p>Sección 10. Especificaciones del producto 102</p> <p>10.1 Especificaciones..... 102</p> <p>Sección 11. Datos técnicos 103</p>
---	--

REGISTRO DE INFORMACIÓN DEL EQUIPO

FECHA DE INSTALACIÓN _____

INFORMACIÓN DEL INSTALADOR _____

LECTURA INICIAL DEL MANÓMETRO (CON FILTRO LIBRE) _____

MODELO DE BOMBA _____ **CABALLOS DE FUERZA** _____

NOTAS: _____

Sección 1. Instrucciones importantes de seguridad

LEA Y SIGA TODAS LAS INSTRUCCIONES

1.1 Instrucciones de seguridad

Todos los trabajos de electricidad deben ser realizados por un electricista matriculado y adherir a todas las normativas nacionales, estatales y locales. Cuando se instale y utilice este equipo eléctrico, se deberán seguir siempre las siguientes precauciones básicas de seguridad:

ADVERTENCIA

PELIGRO DE ATRAPAMIENTO POR SUCCIÓN QUE, SI NO SE EVITA, PUEDE PROVOCAR LESIONES GRAVES O LA MUERTE. No bloquee la succión de la bomba, ya que esto puede provocar lesiones graves o la muerte. No use esta bomba para piscinas infantiles, piscinas de poca profundidad o hidromasajes que contengan drenajes en el fondo, a menos que la bomba esté conectada a por lo menos a dos (2) salidas de succión en funcionamiento. Los conjuntos de salida (drenaje) de succión y sus cubiertas deben estar certificados según la edición publicada más recientemente de ANSI/ASME® A112.19.8o su norma sucesora, ANSI/APSP-16.

ADVERTENCIA

Para reducir el riesgo de lesiones, no permita que niños ni personas con capacidades físicas, sensoriales o mentales reducidas, o sin experiencia, usen este producto.

ADVERTENCIA

Para reducir el riesgo de daños materiales o lesiones, no intente cambiar la posición de la válvula con la bomba en funcionamiento.

ADVERTENCIA

Las bombas Jandy están impulsadas por un motor eléctrico de alto voltaje y deben ser instaladas por un electricista matriculado o certificado o por un técnico de servicio de piscinas cualificado.

ADVERTENCIA

Debido al posible riesgo de incendios, descargas eléctricas o lesiones personales, las bombas Jandy deben instalarse en conformidad con National Electrical Code® (NEC®), todos los códigos eléctricos y de seguridad locales y la Ley de Seguridad y Salud Ocupacionales (*Occupational Safety and Health Act*, OSHA). Es posible pedir ejemplares de NEC a National Fire Protection Association, 1 Batterymarch Park, Quincy, MA 02169, o a su organismo gubernamental de inspección local.

ADVERTENCIA

RIESGO DE DESCARGAS ELÉCTRICAS, INCENDIOS, LESIONES PERSONALES O MUERTE. (Para todas las unidades instaladas de manera permanente previstas para utilización a 15 o 20 amperes, ramales monofásicos de 120 a 240 voltios). Conecte solamente a un ramal que esté protegido contra falla a tierra con un interruptor para protección personal (GFCI). Contacte a un electricista autorizado si no puede verificar que el circuito está protegido por un GFCI. El instalador debe proporcionar un GFCI, que debe probarse con frecuencia. Para probar el GFCI, presione el botón de prueba. El GFCI debe interrumpir la energía. Presione el botón Reset (Restablecer). La energía debe restablecerse. Si el GFCI no funciona de esta forma, significa que tiene algún defecto. Si el GFCI interrumpe la alimentación a la bomba sin que se presione el botón de prueba, significa que hay corriente de tierra, lo que a su vez indica la posibilidad de descarga eléctrica. No utilice el dispositivo. Desconecte el dispositivo y solicite a un representante de servicio cualificado que solucione el problema antes de utilizarlo.

ADVERTENCIA

Un equipo instalado incorrectamente puede fallar y provocar lesiones graves, daños materiales o la muerte.

⚠ ADVERTENCIA

- No conecte el sistema a un sistema de agua municipal sin regular ni a ninguna otra fuente externa de agua presurizada que produzca presiones de más de 35 PSI.
- El aire atrapado en el sistema puede provocar que la tapa del filtro salga expulsada, lo que puede provocar la muerte, lesiones personales graves o daños materiales. Asegúrese de que no haya nada de aire en el sistema antes de operarlo.

⚠ ADVERTENCIA

Los equipos para piscinas Jandy® se someten a una prueba de presión en la fábrica. Las normativas locales pueden requerir que el sistema de tuberías de la piscina sea sometido a una prueba de presión. **ASEGÚRESE DE CUMPLIR LAS SIGUIENTES INSTRUCCIONES DE SEGURIDAD:**

- Verifique todas las abrazaderas, los tornillos, las tapas, los anillos de bloqueo y los accesorios del sistema para asegurar que estén correctamente instalados y asegurados antes de la prueba.
- **LIBERE TODO EL AIRE** del sistema antes de las pruebas.
- La presión de agua para la prueba **NO DEBE EXCEDER LOS 35 PSI**.
- La temperatura del agua para la prueba **NO DEBE EXCEDER los 100 °F (38 °C)**.
- Limite la prueba a 24 horas. Después de la prueba, verifique visualmente el sistema para asegurar que esté listo para su operación.

AVISO: Estos parámetros se aplican únicamente a los equipos Jandy . En el caso de equipos de otras marcas, consulte al fabricante.

⚠ ADVERTENCIA

Los derrames y vapores químicos pueden debilitar los equipos de la piscina/del hidromasaje. La corrosión puede provocar la falla de los filtros y de otros equipos, lo que puede resultar en lesiones graves o daños materiales. No almacene productos químicos para la piscina cerca de los equipos.

⚠ PRECAUCIÓN

¡No ponga en marcha la bomba en seco! Si se hace funcionar la bomba en seco durante la cantidad de tiempo que sea, ocurrirán daños graves y podría anularse la garantía.

⚠ PRECAUCIÓN

Esta bomba es para su uso en piscinas permanentes y también se puede utilizar en jacuzzis e hidromasajes, si estuviera indicado. No use esta bomba con piscinas almacenables. Las piscinas permanentes están construidas dentro del suelo o sobre él o en un edificio de tal manera que no se pueden desmontar para su almacenamiento. Las piscinas almacenables están construidas de manera que pueden ser fácilmente desmontadas para su almacenamiento y pueden volver a montarse para que tengan su estado original.

⚠ PRECAUCIÓN

No instalar dentro de un recinto exterior. La bomba requiere una ventilación adecuada para mantener la temperatura del aire menor que la temperatura ambiente máxima nominal detallada en la placa de calificaciones nominales del motor.

⚠ PRECAUCIÓN

Para evitar la falla prematura o los daños en el motor de la bomba, proteja la bomba de la exposición directa al agua de rociadores, escurrimiento de agua de techos y drenajes, etc. De lo contrario, la bomba podría fallar y, además, se podría anular la garantía.

⚠ ADVERTENCIA

PELIGRO POR SUCCIÓN. Puede provocar lesiones graves o la muerte. **No use esta bomba para piscinas infantiles, piscinas de poca profundidad o hidromasajes que contengan drenajes en el fondo, a menos que la bomba esté conectada por lo menos a dos (2) salidas de succión en funcionamiento.**

GUARDE ESTAS INSTRUCCIONES

1.2 Pautas para la prevención de atrapamiento por la succión de la bomba

⚠ PRECAUCIÓN

El desempeño de las bombas Jandy se basa en que el agua sea transparente, esté fría y sea fresca, y en que las condiciones de succión sean las que se muestran en la curva de desempeño. Si se utiliza para bombear otros líquidos, el desempeño de la bomba puede diferir del desempeño nominal, basado en la gravedad específica, la temperatura, la viscosidad, etc. diferentes del líquido que se bombea. Posiblemente, una bomba estándar no sea segura para bombear todos los tipos de líquidos, como líquidos tóxicos, volátiles o químicos, o líquidos bajo temperaturas o presiones extremas. Consulte los catálogos de Jandy y los códigos locales, además de las referencias generales, para determinar las bombas adecuadas para su aplicación en particular. Debido a que es imposible que anticipemos cada aplicación de una bomba Jandy, si planea utilizar la bomba para una aplicación que no incluye agua, consulte a Jandy antes para determinar si tal aplicación sería adecuada o segura según las circunstancias. De lo contrario, podrían producirse daños materiales o lesiones personales.

⚠ ADVERTENCIA

La succión de la bomba es peligrosa y puede atrapar y ahogar o descuartizar a los bañistas. No use ni opere piscinas, hidromasajes ni jacuzzis si falta una cubierta de las salidas de succión, está rota o está floja. Las pautas siguientes proporcionan información para la instalación de la bomba que minimiza el riesgo de lesiones para los usuarios de piscinas, hidromasajes y jacuzzis:

Protección contra el atrapamiento: El sistema de succión de la bomba debe proporcionar protección contra los peligros del atrapamiento por succión.

Cubiertas de la salida de succión: Todas las salidas de succión deben tener cubiertas correctamente instaladas y atornilladas en su lugar. Todas las cubiertas de salida (drenaje) de succión deben mantenerse correctamente. Deben reemplazarse si están agrietadas o rotas, o si faltan. Las cubiertas de drenaje deben estar incluidas/certificadas en la edición publicada más reciente de ANSI®/ASME® A112.19.8 o su norma sucesora, ANSI/APSP-16. La piscina debe cerrarse y debe restringirse el ingreso de los bañistas a la piscina hasta el reemplazo de cualquier cubierta de drenaje agrietada o rota o que falte.

Cantidad de salidas de succión por bomba: Proporcione al menos dos (2) salidas de succión balanceadas hidráulicamente, con cubiertas, como salidas de succión para cada línea de succión de la bomba de circulación. Los centros de las salidas de succión (salidas de succión) de cualquier una (1) línea de succión deben estar a al menos tres (3) pies de distancia de centro a centro. Consulte la Figura 1.

El sistema **debe** construirse para incluir al menos dos (2) salidas (drenajes) de succión conectadas a la bomba siempre que la bomba esté en funcionamiento. Sin embargo, si dos (2) salidas de succión van a una única línea de succión, la única línea de succión puede estar equipada con una válvula que apague ambas salidas de succión desde la bomba. El sistema se construirá de tal modo que no permita el cierre o el aislamiento separado independiente de cada drenaje. Consulte la Figura 1.

Es posible conectar bombas adicionales a una única línea de succión siempre que se cumplan los requisitos anteriores.

Velocidad del agua: La velocidad máxima del agua a través del conjunto de salida de succión y su cubierta para cualquier salida de succión no debe superar la tasa de flujo de diseño máxima del conjunto de la salida de succión y de su cubierta. El conjunto de salida (drenaje) de succión y su cubierta deben cumplir la versión más reciente de ANSI®/ASME® A112.19.8, la norma para acoples de succión para usarse en piscinas, piscinas infantiles, hidromasajes y jacuzzis o su norma sucesora, ANSI/ASME APSP-16.

Pruebas y certificación: Las cubiertas de salida de succión deben haber sido probadas por un laboratorio de pruebas con reconocimiento nacional y debe haberse determinado que cumplen la edición publicada más reciente de ANSI/ASME A112.19.8 o su norma sucesora, ANSI/APSP-16, la norma para *acoples de succión para usarse en piscinas, piscinas infantiles, hidromasajes y jacuzzis*.

Acoples: Los acoples restringen el flujo; para más eficiencia, use la menor cantidad de acoples posible (pero al menos dos [2] salidas de succión).

Evite los acoples que pueden provocar que quede aire atrapado.

Los acoples de succión del limpiador de la piscina deben cumplir las normas aplicables de la International Association of Plumbing and Mechanical Officials (IAPMO).

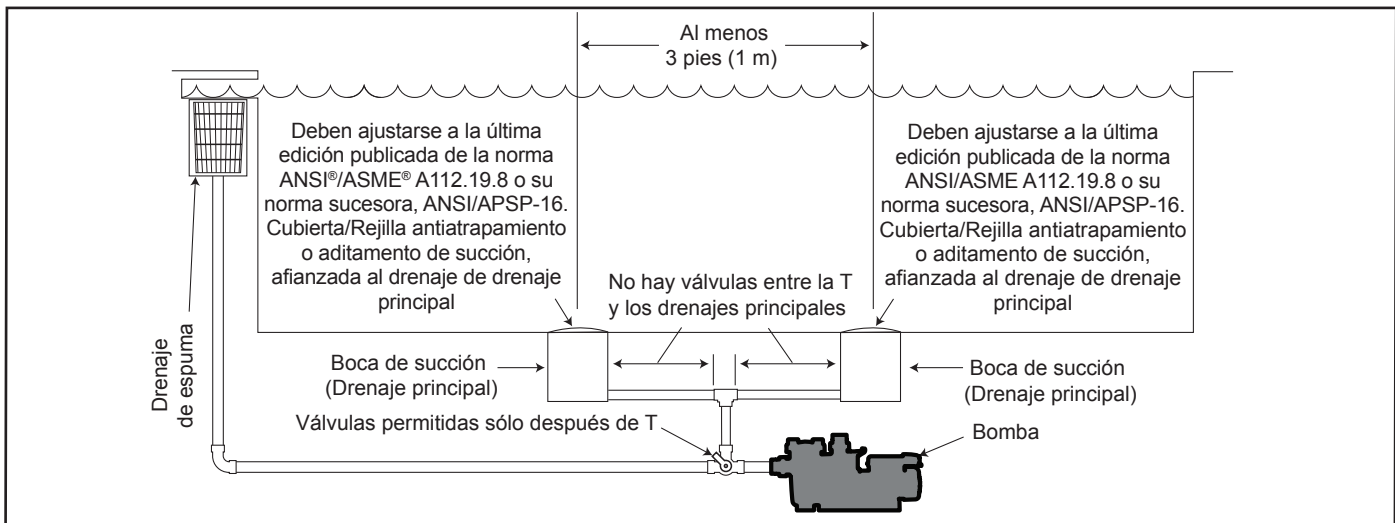


Figura 1. Tuberías de succión adecuadas para la bomba

Sección 2. Descripción general

2.1 Operación de la bomba serie JCP

Jandy creó un nuevo estándar de bombas de polímero comerciales. La bomba serie JCP está diseñada para tener un mejor desempeño que las de la competencia y proporcionar años de servicio eficiente y sin problemas. Nuestro sistema único de impulsor y difusor proporciona un cebado sin igual y al mismo tiempo logra las curvas de bombeo hidráulico que usted exige. La serie JCP también presenta características que la hacen fácil de usar y mantener.

Características competitivas

- Reemplazo directo de las bombas series C y EQ.
- Repuestos de motor fáciles de conseguir (marco estándar JM)
- Tapa de bloqueo del tamiz con una junta tórica de sello radial sólida y segura.
- Acople de tapa de tamiz único que permite la liberación de presión o succión.
- Tapones de drenaje Jandy estándar, fáciles de conseguir.
- Juego de piezas de repuestos para contribuir a que el servicio de la bomba se realice con mayor rapidez.

Características técnicas de la bomba

- Conjunto de tamiz opcional atornillable
- Uniones con bridas ANSI de 6" para succión y de 4" para descarga
- Certificado NSF
- Sello mecánico 316 SS/EPDM tipo 2100
- Compatible con sello mecánico tipo 21
- Tornillería de acero inoxidable

Características técnicas del motor

- Especificaciones del motor trifásico
 - Aislamiento clase H
 - Anillo de puesta a tierra del eje AEGIS®
 - Manga del eje de acero inoxidable con compuesto Loctite® 648
 - Construcción de motor TEFC
 - Marco JM NEMA
 - Eficiencia superior NEMA
 - Terminal de conexión equipotencial patentado por Fluidra
 - Preparado para inversor: Torque variable 20:1 y torque constante 4:1
 - Montaje F-1
 - Cojinetes sellados
- Especificaciones del motor monofásico
 - Aislamiento clase F
 - Construcción de motor TEFC (5HP)
 - Construcción de motor ODP (7.5HP)
 - Marco JM NEMA
 - Eficiencia estándar NEMA
 - Manga del eje de acero inoxidable con compuesto Loctite® 648
 - Terminal de conexión equipotencial patentado por Fluidra
 - Montaje F-1
 - Cojinetes sellados

Sección 3. Instalación mecánica y eléctrica y pruebas de presión

3.1 Manipulación de la bomba

1. Retire la caja corrugada engrampada al embalaje y desmonte el embalaje con un taladro eléctrico con punta Philips.
2. Retire los 4 pernos que sujetan la base del motor al fondo del embalaje.
3. Consulte las Figuras 2-5, que indican las posiciones de los polipastos para levantar la bomba del embalaje y colocarla en su posición final. Algunos motores pueden tener cáncamos ubicados en la parte superior. No use únicamente los cáncamos para elevar la bomba. También se deben usar los orificios ubicados en las bridas de entrada y salida para elevar la bomba. Si el motor no tiene cáncamos, use correas para elevar la bomba.

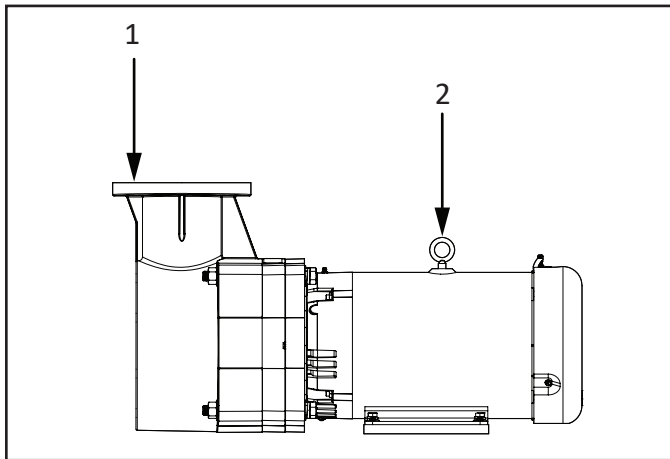


Figura 2. JCP sin puntos de levantamiento en el tamiz

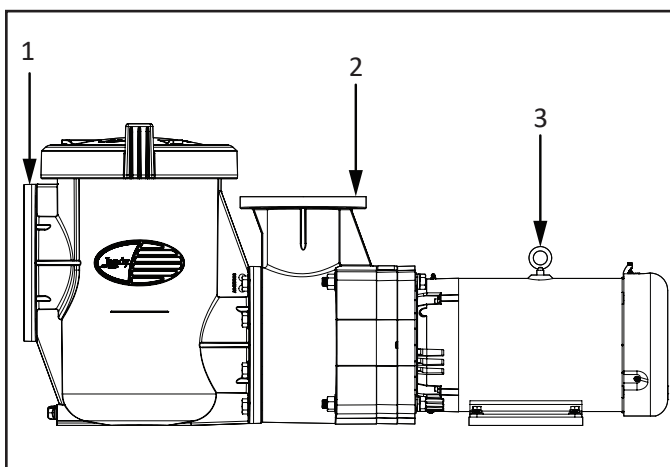


Figura 3. JCP con puntos de levantamiento en el tamiz

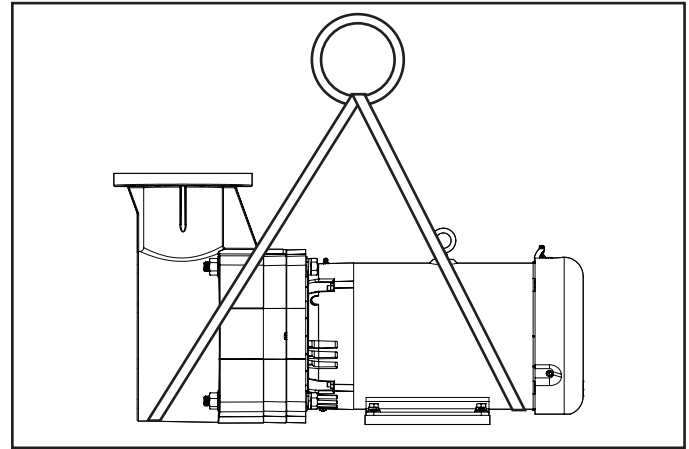


Figura 4. JCP sin posiciones de correa en el tamiz

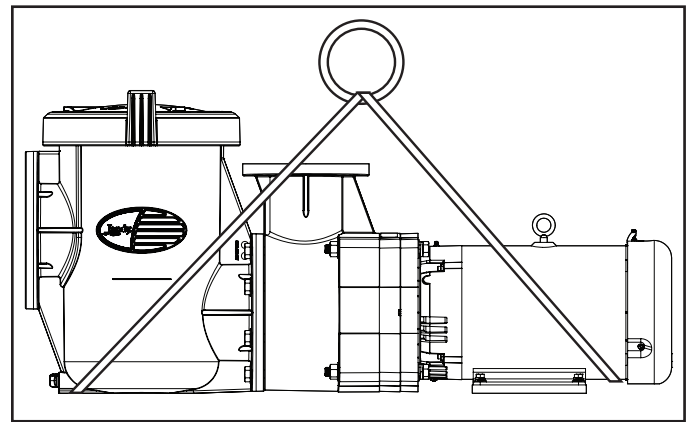


Figura 5. JCP con posiciones de correa en el tamiz

3.2 Ubicación de la bomba

1. Ubique la bomba lo más cerca posible de la piscina (nunca a más de 10 pies por arriba del nivel del agua de la piscina).
2. Instale la bomba en una base rígida, preferentemente a 2" o más por arriba del nivel del suelo. Para reducir aún más la posibilidad de ruido por vibraciones, atornille la bomba al cemento.
3. Suministre el espacio necesario alrededor de la bomba para la inspección y el servicio futuros de la unidad. Se recomienda utilizar un alojamiento con rejilla para proteger a los motores expuestos del sol y de la lluvia. Deje ventilación. El alojamiento debe tener una distancia libre a los motores de un mínimo de 10" en todos los puntos.

⚠ ADVERTENCIA

Para disminuir el riesgo de incendio, instale los equipos para piscinas en una zona donde no se acumulen hojas u otros residuos sobre los equipos o alrededor de ellos. Mantenga las zonas circundantes sin residuos como papel, hojas, agujas de pino y otros materiales combustibles.

⚠ PRECAUCIÓN

Para evitar la falla prematura o los daños en el motor de la bomba, proteja la bomba de la exposición directa al agua de rociadores, escurrimiento de agua de techos y drenajes, etc. De lo contrario, la bomba podría fallar y, además, se podría anular la garantía.

3.3 Instalación mecánica

1. Retire cuidadosamente el conjunto de la bomba (o el conjunto de la bomba y el receptáculo del tamiz) de su embalaje de transporte.
2. Determine el lugar de instalación del conjunto de la bomba y el receptáculo del tamiz. Verifique que haya espacio y luz suficientes para realizar el mantenimiento de rutina.
3. Es conveniente instalar una válvula en la línea de succión antes de esta unidad y en la línea de retorno después de la bomba para que ambos elementos se puedan aislar para el mantenimiento de rutina.
4. Verifique que haya instalada una sección de tubo recto, con un largo de cinco veces su diámetro, entre el lado de succión de la bomba y el primer codo. Consulte la Figura 8.
5. Las líneas de succión deben ser tan grandes como el puerto de succión de la bomba. Todas las tuberías deben ser herméticas. Mantenga todas las líneas de succión por debajo del nivel de la piscina hasta justo antes de la bomba. Las líneas de succión deben tener pendiente hacia la bomba.
6. Conecte la bomba al tubo de succión con un kit de bridas de 6" ANSI-150. Ajuste los pernos de la brida no más de 20 pie-libras. Un exceso de torque puede dañar la bomba.
7. Conecte la bomba al tubo de descarga con un kit de bridas de 4" ANSI-150. Ajuste los pernos de la brida no más de 20 pie-libras. Un exceso de torque puede dañar la bomba.
8. El peso de la tubería debe ser sostenido de manera independiente y no debe soportarlo la bomba.

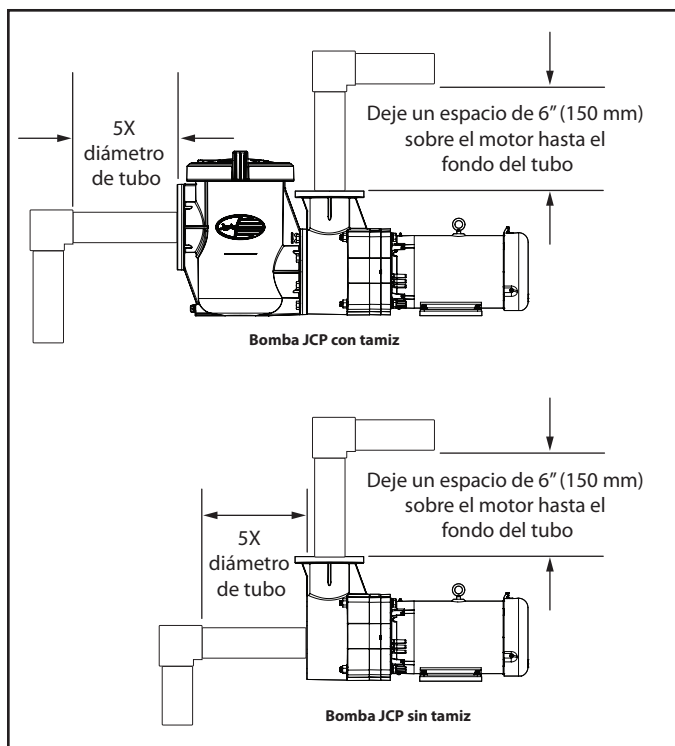


Figura 6. Espacio libre para la tubería de Jandy JCP

9. Diseñe cuidadosamente la disposición de la tubería adyacente, lo que incluye cortar los tubos al largo exacto y verificar que la brida esté alineada y en escuadra con el receptáculo del tamiz o el conjunto de la bomba. Tenga en cuenta que el receptáculo del tamiz debe estar instalado de manera tal de permitir que el caudal de agua ingrese a la brida superior y salga por la brida inferior.

NOTA: Si el conjunto del receptáculo del tamiz está instalado como unidad independiente, se debe instalar otro tramo recto de tubería de al menos 76 cm (30") de largo para conectar el conjunto del tamiz con el alojamiento de la bomba. Fije la tubería con adhesivo cuando esté seguro de que toda la instalación es correcta.

⚠ PRECAUCIÓN

Use arandelas planas de diámetro grande (al menos 1-5/16 in de diámetro exterior) entre la tuerca hexagonal y las bridas del conjunto del receptáculo del tamiz para distribuir adecuadamente las fuerzas de sujeción en las bridas. Apriete los pernos de la brida a 27.1 newton metro (20 ft-lb) salvo que el fabricante de la brida especifique algo distinto. Si no fuera posible usar una llave de torque, se debe tener cuidado de no apretar de más los pernos de la brida. Si no se siguen las instrucciones anteriores, se pueden dañar las bridas del receptáculo del tamiz.

⚠ PRECAUCIÓN

La cañería de succión y descarga debe estar apoyada en un sistema adecuado de soporte o ganchos. Si la cañería no tiene un soporte adecuado, puede haber una carga excesiva sobre el conjunto del receptáculo del tamiz lo que puede producir una falla estructural que provoque inundación y daños materiales.

3.4 Instalación eléctrica

⚠ ADVERTENCIA

Los modelos de bomba monofásicas incluyen una protección de sobrecarga térmica de reinicio manual incorporada para apagar el motor si la temperatura se hace excesiva (como resultado de problemas mecánicos o eléctricos, como un bajo voltaje, una mala ventilación, líneas sobrecargadas, etc.). La protección térmica del motor se debe reiniciar manualmente para comenzar la operación después de corregir las condiciones de sobrecarga.

Los motores de las bombas trifásicas NO tienen protección térmica. El instalador debe proporcionar protección al motor conforme al código local.

3.4.1 Verificaciones de voltaje

Nota: No intente conectar motores trifásicos a suministros de energía monofásicos o motores monofásicos a suministros trifásicos.

El voltaje correcto, según se especifica en la placa con instrucciones técnicas de la bomba, es necesario para un desempeño adecuado y para que el motor tenga una vida útil prolongada. Un voltaje incorrecto reducirá la capacidad de la bomba de desempeñarse adecuadamente y podría provocar sobrecalentamiento, acortar la vida útil del motor y conllevar facturas de luz más elevadas.

El instalador eléctrico tiene la responsabilidad de proporcionar voltaje operativo a la bomba según la placa con instrucciones técnicas al asegurar el uso de los tamaños correctos de circuitos y cables para esta aplicación específica.

National Electrical Code® (NEC®, NFPA-70®) exige que todos los circuitos monofásicos de 120 a 240 voltios de la bomba de una piscina estén protegidos con un interruptor por falla a tierra (GFCI). Por lo tanto, también es responsabilidad del instalador eléctrico asegurar que el circuito de la bomba cumpla este requisito y todos los demás requisitos aplicables de National Electrical Code (NEC) y de cualquier otra normativa de instalación aplicable.

⚠ PRECAUCIÓN

Si no se proporciona el voltaje de la placa de datos (+/- 10 %) durante la operación, el motor se sobrecalentará y se podría anular la garantía.

3.4.2 Conexión equipotencial y conexión a tierra

⚠ ADVERTENCIA

PELIGRO DE DESCARGA ELÉCTRICA

Apague todos los interruptores y el disyuntor principal del circuito eléctrico de la bomba antes de comenzar el procedimiento. Si no se cumple esta indicación, podría haber peligro de descarga eléctrica, lo cual puede provocar lesiones personales o la muerte.

Además de la conexión a tierra adecuada, según se describe en la sección *Cableado eléctrico*, y en conformidad con los requisitos de National Electrical Code (NEC) o, en Canadá, de Canadian Electrical Code (CEC), debe haber una conexión equipotencial entre el motor de la bomba y todas las piezas metálicas de la estructura de la piscina, del hidromasaje o del jacuzzi y todos los componentes y equipos eléctricos relacionados con el sistema de circulación de agua de la piscina/del hidromasaje. Consulte la Figura 7.

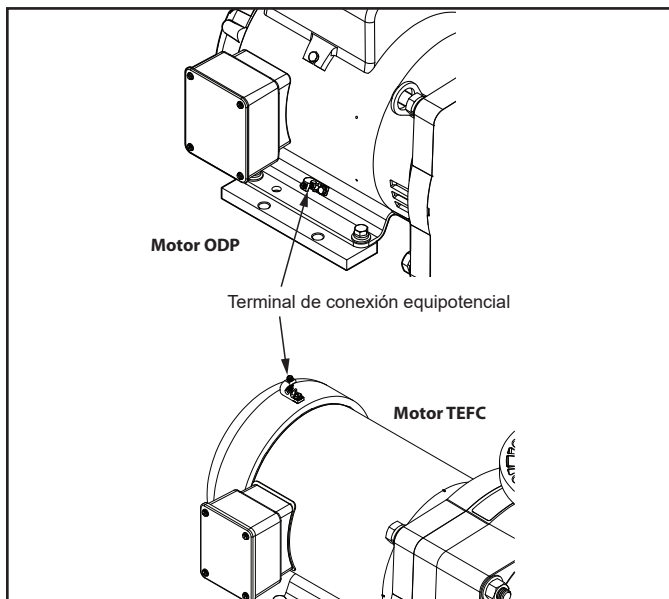


Figura 7. Ubicación de la terminal de conexión equipotencial

La conexión equipotencial debe hacerse con un conductor de cobre macizo n.º 8 AWG o uno más grande. En Canadá, debe usarse n.º 6 AWG o uno más grande. Haga la conexión equipotencial del motor con la terminal de conexión equipotencial externa proporcionada en el bastidor del motor.

National Electrical Code® (NEC®) requiere la conexión equipotencial del agua de la piscina. Cuando ninguno de los equipos, de las estructuras o de las piezas de la piscina con conexión equipotencial están en conexión directa con el agua de la piscina, el agua de la piscina debe estar en contacto directo con una superficie conductora aprobada resistente a la corrosión que exponga no menos de 5800 mm² (9 in²) del área superficial al agua de la piscina en todo momento. La superficie conductora debe estar ubicada donde no esté expuesta a daños físicos ni a su desalojamiento durante las actividades habituales en la piscina, y debe estar conectada equipotencialmente según los requisitos de conexión equipotencial de NEC Artículo 680. Consulte los códigos aplicados localmente para cualquier requisito adicional de conexión equipotencial.

⚠ ADVERTENCIA

Desconecte siempre la fuente de energía antes de trabajar en un motor o su carga conectada.

⚠ ADVERTENCIA

Asegúrese de que el interruptor de control, el reloj o el sistema de control estén instalados en una ubicación accesible. Así, en caso de una falla del equipo o de un empalme suelto, el equipo podrá apagarse. Esta ubicación no debe estar en la misma zona de la bomba de la piscina, del filtro ni de otros equipos.

3.4.3 Cableado eléctrico

1. Fije el cable a tierra a la bomba con el tornillo verde que se proporciona. Conecte a tierra antes de intentar conectar a un suministro de energía eléctrica. No conecte a tierra a una línea de suministro de gas.
2. El tamaño del cable debe ser adecuado para minimizar la caída de voltaje durante la puesta en marcha y la operación de la bomba.
3. Aísle todas las conexiones con cuidado para evitar la conexión a tierra o los cortocircuitos. Los bordes filosos en los terminales requieren una protección adicional. Por seguridad, y para evitar el ingreso de contaminantes, reinstale todas las cubiertas de la caja de distribución y de la caja de terminales. No fuerce las conexiones a la caja de distribución.

Cableado

Nota: Debido a la amplia variedad de equipos eléctricos, equipos motorizados, suministros de energía y requisitos de instalación, este manual no proporciona recomendaciones específicas sobre equipos auxiliares ni sobre fusibles y cableado.

NOTA IMPORTANTE: Verifique que la dirección de giro del motor de la bomba coincida con la dirección de la flecha en el cuerpo de la bomba. De lo contrario, la bomba podría fallar y, además, se podría anular la garantía. Consulte el diagrama de cableado para determinar si el motor se puede cablear para que gire en ambas direcciones.

El tamaño y el tipo de cable, la protección por fusible del ramal, el regulador de arranque, el equipo de control y los elementos relacionados deben cumplir con National Electrical Code y con los requisitos de los códigos locales.

Distintos fabricantes proporcionan motores, por lo que la información en la placa de identificación (factor de servicio, amperaje máximo, etc.) puede variar. Consulte el fabricante y la placa de identificación del motor de su bomba para elegir el regulador de arranque y el equipo de control correctos para su instalación. Los problemas o las preguntas eléctricas específicos se deben dirigir al fabricante del componente eléctrico en cuestión.

Parada de emergencia

Instale un interruptor de parada de emergencia cerca de la piscina. Identifique este interruptor claramente y móntelo en un lugar que sea accesible para los bañistas y el personal que opera la piscina (p. ej., los guardavidas). Verifique que todos los guardavidas y el personal de la piscina comprenden el uso del interruptor en caso de emergencia (atrapamiento, funcionamiento eléctrico defectuoso, etc.).

3.5 Servicio del receptáculo del tamiz

1. Verifique que la bomba esté apagada cuando la controla un accionador de frecuencia variable.
2. Verifique que el disyuntor que enciende el motor de la bomba esté apagado.

⚠ PRECAUCIÓN

La bomba debe estar conectada permanentemente a un circuito eléctrico exclusivo. No se puede conectar otro equipo, otras luces, otros dispositivos u otros enchufes al circuito de la bomba.

⚠ ADVERTENCIA

PELIGRO DE DESCARGA ELÉCTRICA

Apague todos los interruptores y el disyuntor principal del circuito eléctrico de la bomba antes de comenzar el procedimiento. Si no se cumple esta indicación, podría haber peligro de descarga eléctrica, lo cual puede provocar lesiones personales o la muerte.

⚠ ADVERTENCIA

PELIGRO DE DESCARGA ELÉCTRICA

Debido al posible riesgo de incendios, descargas eléctricas o lesiones, las bombas Jandy® deben instalarse en conformidad con National Electrical Code® (NEC®), todos los códigos eléctricos y de seguridad locales y la Ley de Seguridad y Salud Ocupacionales (*Occupational Safety and Health Act*, OSHA). Puede solicitar ejemplares de NEC a National Protection Association, 1 Batterymarch Park, Quincy, MA 02169, o a su organismo gubernamental de inspección local.

En Canadá, las bombas Jandy deben instalarse en conformidad con Canadian Electrical Code (CEC).

3. Verifique que todas las válvulas de aislamiento estén cerradas para evitar que el agua de la piscina llegue a la bomba.
 4. Retire cuidadosamente el tapón y el sello de la junta tórica en el centro de la tapa. Esto permitirá que la presión dentro de la bomba se iguale a la presión en la habitación.
- NOTA IMPORTANTE:** Si no se retira el tapón del centro de la tapa antes del servicio, será más difícil montar o desmontar la tapa y se pueden romper las lengüetas para levantar la tapa.
5. Siga las marcas en el anillo de bloqueo. Con las dos manijas, gire lentamente el anillo de bloqueo en sentido antihorario hasta que la tapa y el anillo de bloqueo se separen del alojamiento de la bomba. Consulte la Figura 8.

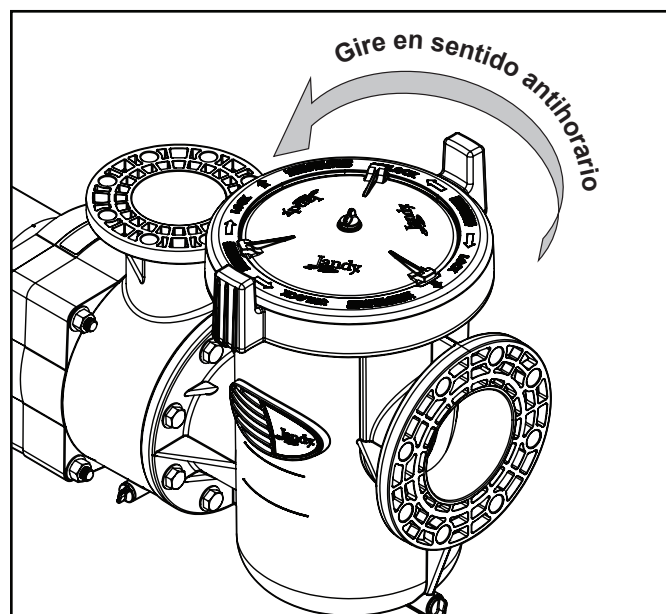


Figura 8. Desconectar el anillo de bloqueo

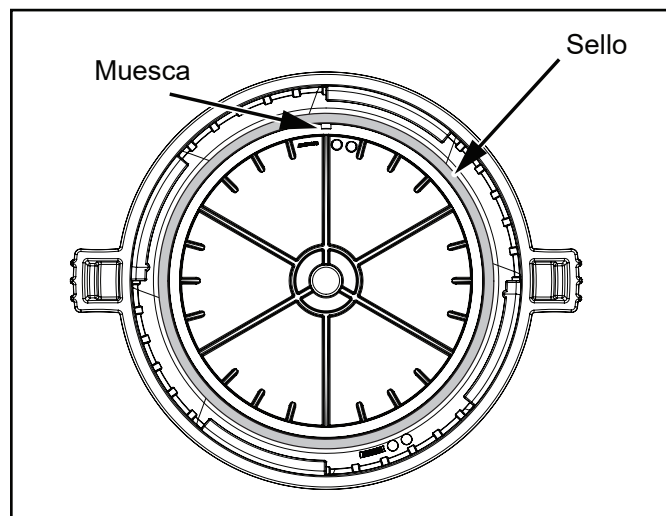


Figura 9. Junta tórica en el conjunto de la tapa

6. El conjunto de la tapa se separa del cuerpo de la bomba después de un giro de aproximadamente 45 grados.
7. Inspeccione en la junta tórica ubicada en la tapa la presencia de residuos o daño. Consulte la Figura 9. Si fuera necesario, inserte un destornillador de punta plana por la muesca para retirar la junta tórica. Si se observaran degradación, residuos o desgaste de la junta tórica, reemplace el sello inmediatamente. Utilice únicamente lubricantes de junta tórica a base de silicona para facilitar el montaje.
8. La canasta del tamiz se puede retirar y limpiar. Verifique que la canasta esté alineada adecuadamente con el puerto de entrada del tamiz cuando vuelva a colocar la canasta en el receptáculo del tamiz. Consulte la Figura 10.
9. Para volver a montar la tapa, alinee las flechas que indican "Port" (Puerto) aproximadamente a 45 grados en sentido antihorario desde el puerto de entrada. Gire la tapa en sentido horario hasta que se acople al cuerpo de la bomba y las manijas estén perpendiculares a los puertos. Las flechas se alinean con los puertos. Instale el tapón central y el sello de la tapa.

Nota: La tapa y el conjunto del sello del anillo de bloqueo se desconectan juntos. Para quitar la tapa del conjunto, alinee las tres lengüetas de extracción de la tapa con las muescas en el anillo de bloqueo y saque cuidadosamente la tapa.

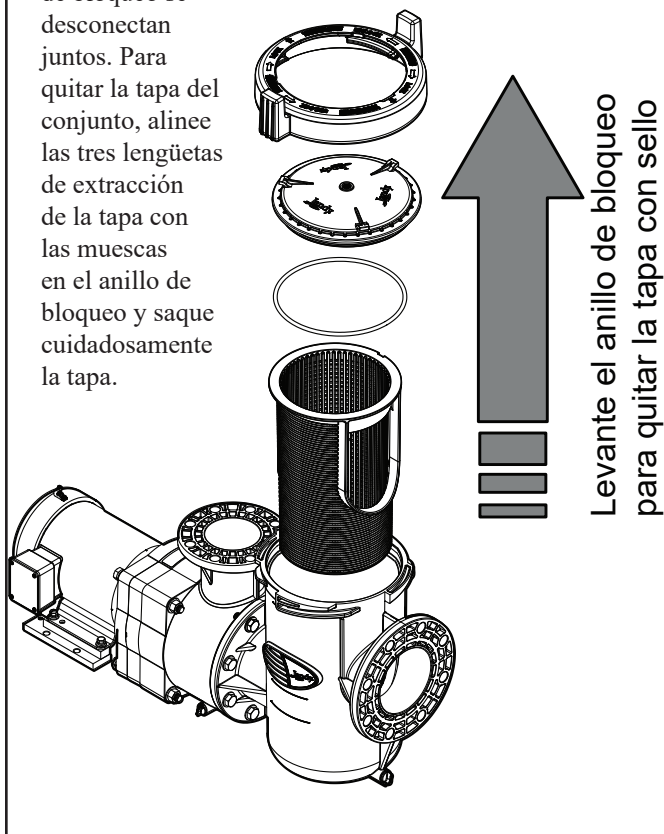


Figura 10. Vista ampliada de la bomba

3.6 Pruebas de presión, receptáculo del tamiz

Algunos códigos locales exigen que se realicen pruebas de presión en el sistema de circulación antes de que sea puesto en servicio o antes de permitir que avance la construcción al siguiente nivel.

⚠ ADVERTENCIA

Este receptáculo del tamiz debe utilizarse en el lado de succión de la bomba y no se debe instalar en el lado de presión de un sistema de circulación. Se debe tener cuidado extremo cuando se aplica presión en este producto durante una prueba de presión del sistema. Un exceso de la presión o de la temperatura nominal durante la prueba de presión puede provocar una falla estructural. Una falla estructural del conjunto del receptáculo del tamiz puede provocar una liberación instantánea de energía que cause que los componentes dañados sean acelerados a altas velocidades y se trasladen distancias de 30.5 m (100 pies) o más. Estos componentes pueden provocar lesiones graves o la muerte si golpean a una persona.

⚠ ADVERTENCIA

Es importante que la tapa y el anillo de bloqueo se encuentren en posición cerrada antes de realizar una prueba de presión. Las instrucciones grabadas en el anillo de bloqueo muestran la posición de bloqueo cuando los puertos están alineados con las flechas con la palabra "port" (Puerto) grabada en el anillo de bloqueo. Si la tapa y el anillo de bloqueo no están instalados y en la posición correcta, se puede producir un daño estructural que cause lesiones graves o la muerte.

⚠ ADVERTENCIA

Una prueba de presión inadecuada de un sistema de circulación puede conllevar riesgos importantes de daños materiales o lesiones graves o la muerte. Los sistemas de circulación almacenan energía cuando son sometidos a pruebas de presión debido a la naturaleza elástica de los materiales usados en la construcción y debido a la capacidad de compresión del aire que puede estar contenido en el sistema. Las instrucciones a continuación deben ser consideradas solo como guías. Cada instalación debe ser considerada como una situación única cuyos riesgos deben ser examinados cuidadosamente.

⚠ ADVERTENCIA

Nunca someta este equipo a pruebas con presión de aire incluso si así lo especificara el código local. Incluso los niveles bajos de presión de aire provocan un formidable almacenamiento de energía que se puede liberar en un instante si el sistema falla. La liberación instantánea de energía puede causar que los componentes dañados se aceleren a altas velocidades y se trasladen distancias de 30.5 m (100 pies) o más. Estos componentes pueden provocar lesiones graves o la muerte si golpean a una persona.

1. Comprenda el código local. El objetivo del código puede ser asegurar que el sistema de tuberías con sus juntas no posee fugas. Los sistemas de tubería en general tienen capacidades de presión superiores a los componentes restantes del sistema como la bomba o el filtro. No realice pruebas de presión en este equipo salvo que el código específicamente lo exija.
2. Verifique que cada componente del sistema esté diseñado para cumplir con la presión de prueba del código local. La mayoría de los componentes debe tener una marca que indique la presión de operación máxima. Si un componente no tiene marca, consulte las instrucciones del propietario que vienen con el componente o consulte al fabricante.

⚠ ADVERTENCIA

Cuando se llevan a cabo pruebas de presión en un sistema con agua, con frecuencia queda aire atrapado en el sistema durante el proceso de llenado. Este aire se comprimirá cuando se presurice el sistema. Si el sistema falla, este aire atrapado puede propulsar residuos a alta velocidad y provocar lesiones. Deben hacerse todos los esfuerzos posibles para quitar el aire atrapado, lo cual incluye abrir la válvula de purga del filtro y aflojar la tapa de la canasta de la bomba al llenar la bomba.

⚠ ADVERTENCIA

El aire atrapado en el sistema puede provocar que la tapa del filtro salga expulsada, lo que puede provocar la muerte, lesiones graves o daños materiales. Asegúrese de que se haya purgado todo el aire del sistema antes de operar. **NO USE AIRE COMPRIMIDO PARA LLEVAR A CABO PRUEBAS DE PRESIÓN O VERIFICAR QUE NO HAYA FUGAS.**

⚠ ADVERTENCIA

PELIGRO DE DESCARGA ELÉCTRICA

No realice pruebas de presión por arriba de los 35 PSI. Un profesional de piscinas capacitado debe llevar a cabo las pruebas de presión. El equipo de circulación que no se pruebe correctamente puede fallar, lo que puede provocar lesiones graves o daños materiales.

⚠ ADVERTENCIA

Al llevar a cabo pruebas de presión en el sistema con agua, es muy importante garantizar que la tapa de la canasta de la bomba esté completamente asegurada.

3. Llene el sistema de agua para eliminar el aire atrapado.
4. Presurice el sistema con agua a no más de **35 PSI**.
5. Cierre la válvula para sellar el agua en el sistema.
6. Observe que no haya fugas ni reducción de la presión en el sistema.
7. Si hay fugas en la tapa, repita el procedimiento. Para el soporte técnico de Jandy, llame al 800.822.7933

Sección 4. Operación de la bomba Jandy JCP

PRECAUCIÓN

Nunca haga funcionar la bomba sin agua. Si se hace funcionar la bomba “en seco” durante la cantidad de tiempo que sea, pueden ocurrir daños graves en la bomba y en el motor y se podría anular la garantía.

ADVERTENCIA

Para evitar el riesgo de daños materiales, lesiones graves o la muerte, verifique que toda la energía esté apagada antes de comenzar este procedimiento.

Si se trata de una instalación de piscina nueva, asegúrese de que ninguna de las tuberías tenga residuos de construcción y de que todas las tuberías hayan sido sometidas correctamente a pruebas de presión. Debe verificarse que la instalación del filtro sea correcta y que todas las conexiones y abrazaderas estén fijas según las recomendaciones del fabricante.

1. Libere toda la presión del sistema y abra la válvula de seguridad del filtro.
2. Según la ubicación de la bomba, haga una de las cosas siguientes:
 - Si la bomba está ubicada por debajo del nivel del agua de la piscina, retire el tapón de la tapa del receptáculo del tamiz o retire la válvula de seguridad del filtro para cebar la bomba con agua.
 - Si la bomba está ubicada por arriba del nivel del agua de la piscina, quite la tapa y llene la canasta con agua antes de poner en marcha la bomba.
3. Antes de volver a colocar la tapa, verifique que no haya residuos alrededor del asiento de la junta tórica de la tapa. Los residuos que podrían estar alrededor de la superficie de apoyo de la junta tórica de la tapa provocarán que se filtre aire dentro del sistema. Esto dificulta que se cebe la bomba.
4. Apriete la tapa a mano para lograr un sello hermético. No use ninguna herramienta para apretar la tapa: apriete solo a mano. Asegúrese de que todas las válvulas estén abiertas y de que los pernos de las bridas estén ajustados.
5. Restituya la energía a la bomba. A continuación, encienda la bomba.
6. Confirme que la dirección de giro del motor coincida con la flecha direccional en la bomba. De lo contrario, la bomba podría fallar y, además, se podría anular la garantía. Consulte el diagrama de cableado para determinar si el motor se puede cablear para que gire en ambas direcciones.
7. Después de que el aire haya abandonado el filtro, cierre la válvula de seguridad.
8. La bomba debe cebarse antes de transcurridos 10 minutos. El tiempo que tarde en cebarse dependerá de la elevación y del largo del tubo usado en el tubo de suministro de succión.
9. Si la bomba no se ceba y se siguieron todas las instrucciones hasta este punto, verifique que no haya fugas de succión. Si no hay fugas, repita los pasos 2-7.

Para obtener ayuda técnica, llame al soporte técnico de Jandy al 800.822.7933.

4.1 Cebado

Llene el receptáculo del tamiz con agua antes de iniciar. Esto se puede hacer a través del puerto roscado de 1/4" NPS en la parte superior de la tapa o retirando la tapa y el anillo de bloqueo. Esto es necesario para permitir que la bomba se cebe y para prevenir daños permanentes. Excepto en climas con congelamiento, mantenga siempre líquido en la bomba. No es necesario lubricar aún más el extremo de la bomba, incluido el conjunto del sello. Si el flujo no se inicia en diez minutos, detenga el motor y determine la causa. Asegúrese de que todas las válvulas de succión y de descarga estén abiertas cuando la bomba esté en funcionamiento. Si se opera la bomba con una válvula cerrada en el sistema, la bomba se dañará.

Sección 5. Mantenimiento y almacenamiento

5.1 Mantenimiento

PRECAUCIÓN

Si la canasta está mal alineada, la tapa se asentará incorrectamente, lo que producirá una fuga de aire, y esto puede provocar daños en la bomba.

El tamiz incorporado en la bomba debe inspeccionarse y limpiarse a diario. Estos tamices son fáciles de limpiar. Siga las instrucciones impresas en el anillo de bloqueo.

1. Retire el tapón central y el sello de la tapa.
2. Gire el anillo de bloqueo en sentido antihorario hasta que la tapa y el anillo de bloqueo se separen del receptáculo del tamiz.
3. Verifique que la junta tórica de la tapa no esté dañada y reemplácela si fuera necesario.
4. Extraiga la canasta y límpiela.
5. Instale la tapa y el anillo de bloqueo y hágalos girar en sentido horario hasta que las flechas impresas en el anillo de bloqueo se alineen con la entrada de la bomba y los puertos de salida. Cuando se coloca adecuadamente, el anillo de bloqueo debe hacer clic al llegar a la posición y las manijas deben quedar perpendiculares a los puertos de la bomba.
6. Instale el tapón central y el sello de la tapa.
7. El motor eléctrico tiene cojinetes sellados y no necesita mantenimiento con lubricantes.

5.2 Almacenamiento

PRECAUCIÓN

La bomba **debe** protegerse cuando se esperen temperaturas por debajo del punto de congelamiento. Si se permite que la bomba se congele, se producirán daños graves y se podría anular la garantía.

PRECAUCIÓN

¡No use soluciones anticongelantes en los sistemas de la piscina, del hidromasaje o del jacuzzi! El anticongelante es extremadamente tóxico y puede dañar el sistema de circulación. La única excepción es el propilenglicol. Para obtener más información, consulte en la tienda local de suministros para la piscina/el hidromasaje o comuníquese con una empresa cualificada de servicio de piscinas.

Si la piscina se desactiva durante un periodo extenso, es necesario tener cuidado para proteger la bomba y el motor de daños y de la exposición. Si es necesario almacenarlos durante un periodo extenso, ubique el conjunto del motor y del impulsor en un lugar cálido y seco.

NOTA: Asegúrese de que la energía esté apagada en el panel de control. Extraiga ambos tapones de drenaje para drenar la bomba. Desconecte las líneas de succión y de descarga en las conexiones de la brida y, a continuación, traslade la unidad a una ubicación cálida y seca bajo techo.

Al activar la bomba nuevamente, invierta los procedimientos precedentes. Reemplace la junta tórica entre el receptáculo del tamiz y el alojamiento de la bomba si estuviera dañada. Instale los tapones de drenaje. Verifique que el eje de la bomba se mueva libremente. Cebe la bomba como se indica arriba y verifique el giro del eje de la bomba.

Sección 6. Servicio

6.1 Herramientas necesarias

- Cinta métrica
- Nivel
- Guantes
- Protección ocular
- Lubricante de silicona para la junta tórica
- Multímetro
- Amperímetro
- Alicates pelacables
- Llave de torque
- Destornillador para tuercas de 1/4"
- Destornillador para tuercas de 5/16"
- Destornillador de punta plana
- Martillo
- Llave de punta y corona/de tubo de 15/16"
- Llave de punta y corona/de tubo de 9/16"
- Llave de punta y corona/de tubo de 7/16"
- Llave de tubo de 3/4"
- Llave Allen de 5/16"

6.2 Repuestos

Esta unidad está diseñada para ofrecer la máxima seguridad eléctrica. Para asegurar una protección continua contra peligros de descarga eléctrica, use únicamente repuestos idénticos suministrados por la fábrica al llevar a cabo el servicio.

6.3 Piezas alternativas

La bomba Jandy serie JCP está diseñada con tornillería, sellos y motores marco JM NEMA de tamaño común. En la sección "Lista de piezas" de este manual se encuentra una lista exhaustiva de materiales con descripciones generales de todos los sujetadores, sellos y motores necesarios para ensamblar la bomba adecuadamente.

- Sello del eje: La bomba serie JCP está diseñada para ser utilizada con un sello mecánico de 1-1/4" tipo 2100 o tipo 21 con una longitud útil de resorte de 1.062 pulgadas y altura de cerámica de 0.436 pulgadas.
- Motores: La bomba serie JCP usa motores marco JM NEMA estándar para lograr una máxima versatilidad. Se recomienda reemplazar el motor con el motor de reemplazo Jandy tal como se identifica en la sección Repuestos. Cualquier otro motor alternativo que se compre para las bombas serie JCP deben tener idénticos valores eléctricos nominales, certificados de cumplimiento y carga nominal, y debe estar equipado con una manga del eje Jandy de acero inoxidable.

- Sujetadores: Jandy hizo todo lo posible para utilizar tornillería de acero inoxidable estándar en la bomba serie JCP. La mayoría de los sujetadores son SAE de tamaño, longitud y paso roscado comunes. Si reemplaza el sujetador de fábrica Jandy, verifique que sea idéntico en tamaño, rosca, tamaño de cabezal, etc.
- Otros componentes de la bomba: A fin de mantener un desempeño máximo de su bomba, Jandy recomienda enfáticamente utilizar solamente repuestos de fábrica originales. No use piezas de otras marcas de bombas o piezas genéricas, a menos que estén mencionadas en este manual.

6.4 Desensamblaje de la bomba

ADVERTENCIA

Solo un técnico de servicio profesional cualificado en instalación de piscinas/hidromasajes debe llevar a cabo el servicio en esta bomba. Los procedimientos siguientes deben seguirse con exactitud. La instalación o la operación incorrectas pueden crear peligros eléctricos importantes, que pueden provocar que pasen voltajes altos por el sistema eléctrico. Esto puede provocar daños materiales, lesiones graves y la muerte. Una instalación u operación incorrectas pueden anular la garantía.

ADVERTENCIA

Zodiac Pool Systems LLC requiere que un técnico de servicio o electricista cualificados desconecten correctamente el cableado eléctrico en el motor de la bomba.

ADVERTENCIA

PELIGRO DE DESCARGA ELÉCTRICA

Apague todos los interruptores y el disyuntor principal del circuito eléctrico de la bomba antes de comenzar el procedimiento. Espere cinco (5) minutos después de desconectar la energía antes de abrir el motor. Si no se cumple esta indicación, podría haber peligro de descarga eléctrica, lo cual puede provocar lesiones personales o la muerte.

1. Apague la bomba. Apague el disyuntor del motor de la bomba.
2. Espere 5 minutos antes de abrir el compartimiento de cableado y de desconectar la fuente de energía de la bomba. Zodiac Pool Systems LLC requiere que un técnico de servicio o electricista cualificados desconecten correctamente el cableado eléctrico en el motor de la bomba.
3. Cierre todas las válvulas necesarias para evitar que el agua de la piscina llegue a la bomba. Quite los tapones de drenaje y las juntas tóricas para drenar el agua de la bomba.
4. Quite los pernos y las arandelas de las bridas de las conexiones de entrada y salida. Quite los sujetadores que sostienen la bomba a la base. Deslice la bomba fuera de las tuberías.

⚠ ADVERTENCIA

Debido al posible riesgo de incendios, descargas eléctricas o lesiones personales, las bombas Jandy deben instalarse en conformidad con National Electrical Code® (NEC®), todos los códigos eléctricos y de seguridad locales y la Ley de Seguridad y Salud Ocupacionales (*Occupational Safety and Health Act*, OSHA). Puede solicitar ejemplares de NEC a National Fire Protection Association, 1 Batterymarch Park, Quincy, MA, EE. UU. 02169-7471, o pueden obtenerse de su organismo gubernamental de inspección local. En Canadá, las bombas Jandy deben instalarse en conformidad con Canadian Electrical Code (CEC®).

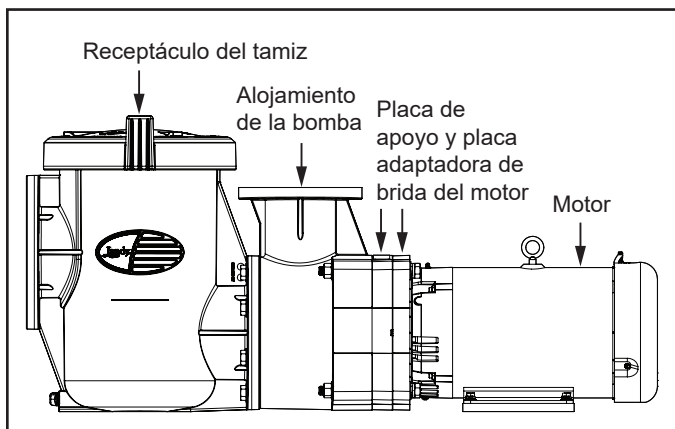


Figura 11. Bomba JCP con conjunto de receptor de tamiz

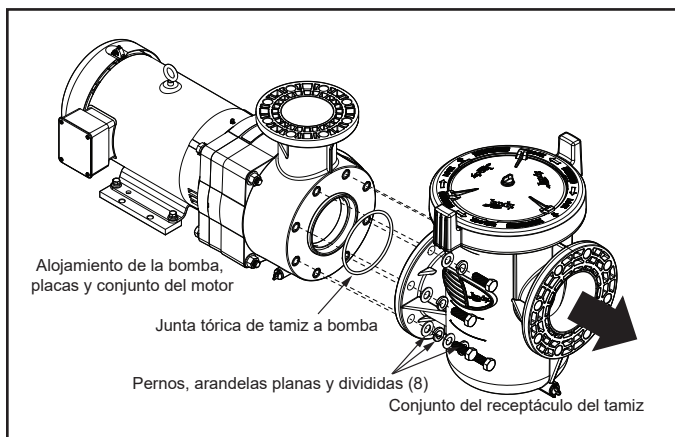


Figura 12. Quite el receptor del tamiz del conjunto de la bomba

5. Con una llave de 15/16", afloje los ocho (8) tornillos hexagonales de 5/8" que sujetan el conjunto del receptor del tamiz al cuerpo del motor o el alojamiento de la bomba. Consulte las Figuras 11 y 12.
6. Tire del conjunto del receptor del tamiz para separarlo del conjunto del alojamiento de la bomba, las placas y el motor, como se muestra en la Figura 12.
7. Quite la junta tórica entre el tamiz y la bomba en la parte frontal del alojamiento de la bomba. Consulte la Figura 12.

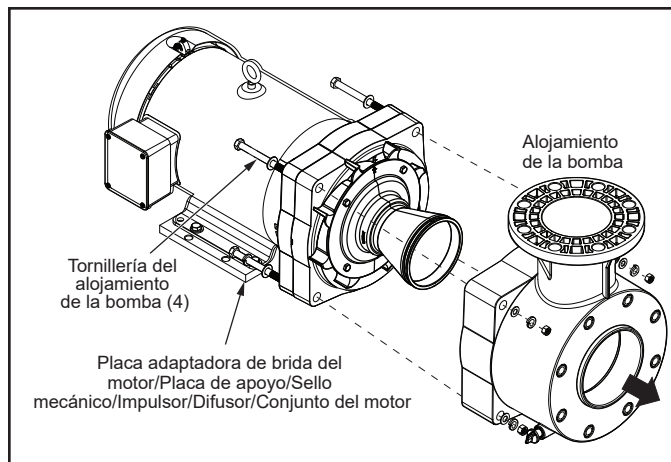


Figura 13. Quitar el alojamiento de la bomba

8. Con una llave de 15/16", afloje los cuatro (4) tornillos hexagonales de la tornillería del alojamiento de la bomba que sujetan el alojamiento de la bomba al conjunto del motor, la placa adaptadora de la brida del motor, la placa de apoyo, el sello mecánico, el impulsor y el difusor. Consulte la Figura 13.
9. Tire cuidadosamente del alojamiento de la bomba para separarlo del conjunto del motor. Verifique que el difusor se separa del alojamiento de la bomba durante este proceso. Consulte la Figura 13.

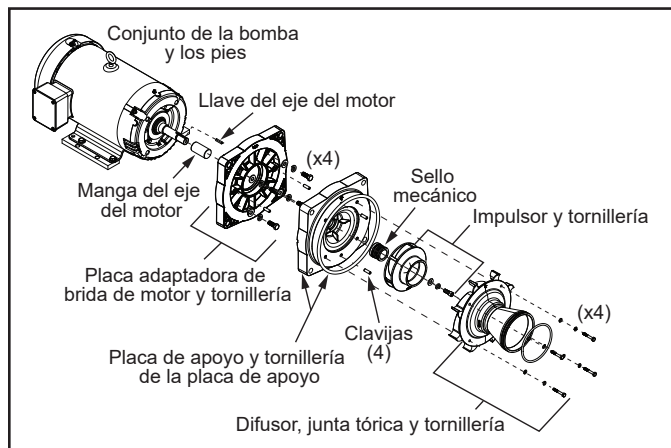


Figura 14. Quite el sello mecánico, el impulsor, el difusor y los accesorios del motor

10. Con una llave de 7/16, afloje los cuatro (4) tornillos hexagonales que sujetan el difusor a la placa de apoyo. Tire cuidadosamente del difusor y quite la junta tórica del difusor. Consulte la Figura 14.
 11. Sostenga el impulsor y use una llave Allen de 5/16" para quitar el perno del impulsor con giro en sentido antihorario.
- NOTA IMPORTANTE:** No inserte una herramienta en los álabes del impulsor para sostener el impulsor. Eso dañará o incluso destruirá los álabes del impulsor. Sostenga el impulsor con una mano o use una llave de correa.
12. Tire del impulsor y de la llave del eje impulsor cuidadosamente para separarlos del eje impulsor. Tenga cuidado de no perder la llave del eje impulsor.
 13. Quite la junta tórica de la placa de apoyo y observe si hay daños.

14. Extraiga la mitad del sello de cara de carbono del eje del motor. Este es un sello cargado con resorte. Aferre la parte del sello más cercana al cuerpo del impulsor y tire del sello para extraerlo con un movimiento de giro.
15. Con dos atornilladores de punta plana, inserte los extremos en las dos aberturas laterales entre la placa de apoyo y la placa adaptadora de la brida del motor. Haga palanca hacia adelante sobre la placa de apoyo de forma lenta y uniforme. Tenga cuidado de no dañar el sello de cara cerámica.
16. Para motores con un marco JM NEMA 182-184, use una llave de tubo de 9/16" para aflojar los cuatro (4) tornillos hexagonales que sujetan la placa adaptadora de la brida del motor al motor. Para marcos JM NEMA 213-215, use una llave de tubo de 3/4". Retire cuidadosamente la placa adaptadora de la brida del motor sin golpear el eje del motor y déjela a un costado. Consulte la Figura 14.

6.5 Conjunto de la bomba

1. Conecte la placa adaptadora de la brida del motor al conjunto del motor con los cuatro juegos de tornillería (tornillos hexagonales, arandelas divididas y arandelas planas). La placa adaptadora de brida tiene la marca "TOP" (Arriba) que indica la orientación correcta. Verifique que el eje impulsor del motor no se golpee durante esta operación.
2. Verifique que las dos (2) espigas estén insertadas para ayudar a alinear la placa de apoyo.
3. Alinee la placa de apoyo con las espigas de alineación en la placa adaptadora y con la flecha en la cara frontal apuntando hacia abajo. Empuje la placa de apoyo sobre las clavijas de alineación hasta que la superficie posterior quede al ras de la placa adaptadora. Golpee suavemente la cara frontal de la placa de apoyo con un martillo o mazo blando si fuera necesario.
4. Instale la cara del sello cerámico lubricando el sello y la taza con agua destilada y solución jabonosa. Presione el sello de manera uniforme y firme en la cavidad del sello con la mano. No utilice lubricante de junta tórica para instalar el sello. No use herramientas para presionar el sello en la cavidad. Limpie la superficie de la cerámica con un paño no abrasivo. Antes de instalar el sello resorte, verifique que la superficie de la cerámica no posee grietas, viruta o residuos. Si se observa algún daño, reemplace inmediatamente.
5. Instale la cara del sello resorte. Para ello, lubrique con agua destilada y solución jabonosa. No utilice lubricante de junta tórica para instalar este sello. No utilice herramientas para instalar este sello. Verifique que la cara de carbono del sello esté orientada hacia la cara de cerámica y la cara de goma esté orientada hacia el impulsor. Con la mano presione lentamente el sello en la manga del eje impulsor hasta que las dos superficies del sello casi se toquen. El sello no debe estar comprimido y debe colgar levemente del extremo de la manga del eje impulsor del motor.
6. Instale la llave del eje en la ranura del eje impulsor del motor. Alinee la ranura del impulsor con la llave del eje impulsor. Presione el impulsor sobre el eje impulsor. Sujete el impulsor con el tornillo de casquillo hexagonal, la arandela dividida y la arandela plana. Gire lentamente en sentido horario para ajustar el tornillo. El impulsor presionará lentamente las dos caras del sello entre sí y comprimirá el sello resorte hasta su posición correcta.
7. Conecte el difusor alineando la flecha en la cara frontal del difusor con la flecha en la placa de apoyo. El difusor debe presionar sobre las dos clavijas de alineación ubicadas en la placa de apoyo. Sujete el impulsor con los pernos hexagonales, la arandela dividida y la arandela plana. Coloque la junta tórica del difusor en la ranura alrededor de la entrada. Verifique que la junta tórica no se dañe o tuerza durante la instalación. Se puede colocar lubricante de silicona de junta tórica en la junta tórica para facilitar el montaje del alojamiento de la bomba.
8. Instale la junta tórica de la placa de apoyo. Verifique que no esté torcida. Se puede colocar lubricante de silicona de junta tórica en la junta tórica para facilitar el montaje del alojamiento de la bomba.
9. Deslice el alojamiento de la bomba hacia el conjunto del motor y sujételo con los cuatro (4) juegos de tornillería (tornillos hexagonales, arandelas divididas, arandelas planas y tuercas). Verifique que las arandelas divididas estén colocadas debajo de la tuerca hexagonal.
10. Ajuste los pernos suavemente con un patrón cruzado en "X" con una llave de 15/16" para llevar la placa de apoyo hacia el cuerpo de manera uniforme. Después de que todos los pernos estén ajustados, apriételos en el mismo orden a 20 ft-lb de torque.
11. Sujete el conjunto del receptáculo del tamiz en el alojamiento de la bomba ensamblada con el motor con los ocho (8) tornillos hexagonales, las arandelas divididas y las arandelas planas. Apriete los pernos suavemente siguiendo un patrón cruzado en "X" con una llave de 15/16" y comience con los cuatro (4) internos (medio) y después los cuatro (4) externos (partes superior e inferior) para llevar la placa de apoyo hacia el cuerpo de manera pareja. Después de que todos los pernos estén ajustados, apriételos en el mismo orden a 20 ft-lb de torque.
12. Si la bomba está ubicada por arriba del nivel del agua de la piscina, quite la tapa y llene la canasta con agua antes de poner en marcha la bomba. Consulte la sección "Servicio del receptáculo del tamiz" para mayores detalles.

NOTA Para evitar fugas en el sistema, controle que no haya residuos alrededor del asiento de la junta tórica de la tapa antes de reemplazar la tapa.

ADVERTENCIA

Si alguna de las válvulas se hubiera cerrado previamente, vuelva a colocar cada válvula en posición para evitar el cierre de la descarga de la bomba, también denominado "trabajo en vacío". El aire atrapado en el sistema puede causar que la tapa del filtro salga expulsada. Esto puede ocasionar la muerte, lesiones personales graves o daños materiales. Asegúrese de que no haya nada de aire en el sistema antes de operarlo.

13. Apriete la tapa a mano para lograr un sello hermético. No use ninguna herramienta para apretar la tapa.
14. Verifique que todos los tapones de drenaje estén instalados y apretados a mano.

NOTA IMPORTANTE: Si no se retira el tapón del centro de la tapa antes del servicio, será más difícil montar o desmontar la tapa y se pueden romper las lengüetas para levantar la tapa.

Sección 7. Resolución de problemas y reparación

Jandy recomienda con énfasis que llame a un técnico de servicio cualificado para llevar a cabo cualquier reparación en el sistema del filtro/de la bomba. Para ubicar a un técnico cualificado, visite jandy.com o jandy.ca.

NOTA: Nunca trabaje en una bomba sin asegurarse de que la energía esté apagada.

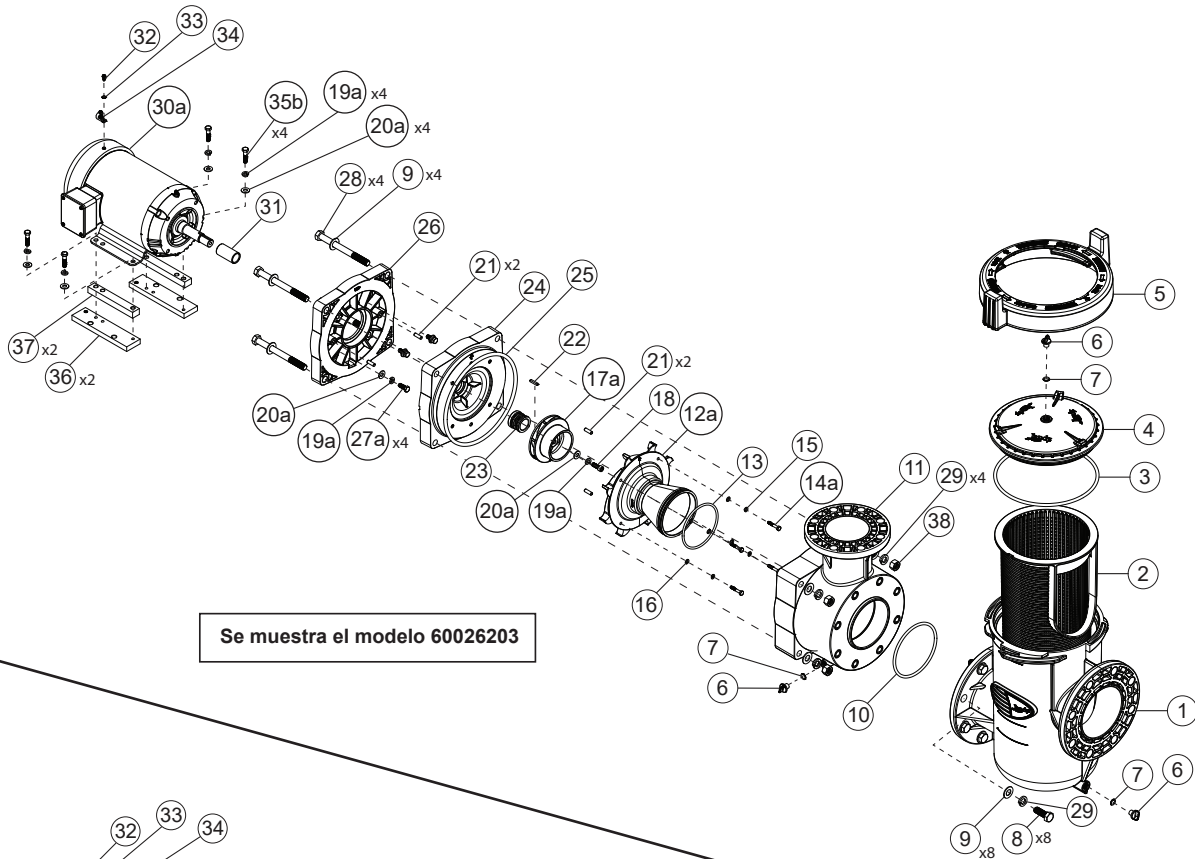
Síntoma	Causa posible	Solución
La bomba no se ceba	Fuga de aire en la succión.	Verifique que todos los pernos de la brida estén correctamente apretados y que las juntas se encuentren en el centro de la brida. Verifique que la tubería esté plana y que las conexiones de la brida sean paralelas. Verifique que la tapa del receptáculo del tamiz esté correctamente instalada y que la junta tórica no presente desgaste ni haya residuos. Si fuera necesario, limpie la junta tórica con agua jabonosa o reemplácela. Inspeccione que la tapa no tenga grietas. Verifique que todos los tapones de drenaje estén ajustados.
	No hay agua en la bomba o el tamiz.	Verifique que el receptáculo del tamiz esté instalado en la entrada de la bomba o que la cañería de salida desde el tamiz se encuentre en el mismo nivel que la entrada a la bomba. La bomba JCP no es autocebante a menos que el receptáculo del tamiz esté incluido en el lado de succión. El tamiz no debe estar instalado en un nivel inferior a la bomba. Cuando llene el receptáculo del tamiz con agua, llene hasta que el nivel del agua alcance la cañería de entrada. En los casos de succión inundada, el tamiz se puede llenar más para minimizar la cantidad de aire en el receptáculo del tamiz cuando arranca la bomba. Verifique que el nivel de agua de la piscina no se encuentre por debajo del filtro superficial.
	Válvulas cerradas o líneas bloqueadas.	Abra todas las válvulas del sistema. Limpie las canastas del filtro superficial y del tamiz de la bomba. Abra la bomba y controle que no haya residuos dentro del impulsor.
	La bomba está muy por encima de la piscina	La bomba no debe estar más de 10 ft por encima de la superficie de la piscina. Si fuera posible, disminuya la altura de la bomba por sobre la superficie del agua. Cuanto más alto esté instalada la bomba sobre la superficie, mayor será el tiempo que demore en cebarse. El cebado a una altura de 10 ft puede demorar hasta 10 minutos. Si la bomba no se ceba en 45 minutos, controle que no haya fugas en la cañería de entrada.
	La bomba está demasiado lejos de la piscina	Controle la distancia a la piscina y verifique que haya una válvula de retención para cañerías de entrada de larga distancia. Controle que las válvulas mantengan la cañería de entrada llena de agua cuando la bomba no está operando.
	La bomba gira al revés	El giro correcto de la bomba es en sentido horario desde el extremo de la unidad. Verifique que el motor esté girando en la misma dirección que indican las etiquetas de rotación ubicadas en la bomba y el motor. El giro del motor se puede revertir si se intercambian 2 fases cualesquiera de los motores trifásicos. Para motores monofásicos que pueden girar en ambas direcciones, consulte el diagrama de cableado del motor.

Síntoma	Causa posible	Solución
El motor no gira	No llega energía al motor.	Verifique que todos los disyuntores estén en la posición encendido y no en la posición de sobrecarga. Si la bomba está controlada por un variador de frecuencia, verifique que el controlador esté encendido y transmita energía eléctrica al motor.
	El protector térmico está desconectado	Controle la temperatura del motor, si el motor está caliente, el protector térmico podría haber apagado el motor.
	El motor está conectado incorrectamente	Consulte el diagrama de cableado y verifique la configuración necesaria del suministro eléctrico.
	Eje impulsor agarrotado	Después de haber desconectado todo suministro de energía al motor, gire el eje impulsor del motor manualmente. El eje impulsor debe girar libremente con la mano sin trabarse ni apretarse. Si el eje impulsor no gira libremente, desmonte la bomba y repare.
Bajo caudal	Filtro sucio.	Limpie los filtros cuando la contrapresión sea alta.
	Canasta superficial sucia.	Consulte el problema 1.
	Fuga de aire en la succión.	
	Válvulas cerradas o líneas bloqueadas.	
	La bomba gira al revés	
El motor se calienta	Bajo voltaje o voltaje incorrecto.	Llame a un electricista certificado para que controle el voltaje en el motor. El voltaje en el motor debe estar a un 10 % del voltaje en la placa de identificación. Si el voltaje está fuera de este rango, comuníquese con el proveedor de energía local.
	Cableado incorrecto, desequilibrio de fase	Verifique que el diagrama de cableado coincida con la configuración utilizada para el suministro eléctrico. Verifique que la corriente en todas las fases sea casi idéntica. Si la corriente de una fase es notablemente mayor que las otras, el motor está operando con un desequilibrio de fase. Apague el motor y controle las conexiones del cableado para verificar que no haya conexiones peladas, rotas o con descarga parcial. Corte y vuelva a pelar los cables si fuera necesario. Verifique el voltaje entre cada fase. La variación de voltaje entre las fases no debe ser superior al 5 %. Si las conexiones están aseguradas, el voltaje de las fases es similar pero aún hay un desequilibrio de fases, puede estar dañado el aislamiento del bobinado del motor y se debe reparar o reemplazar el motor.
	Cables de un tamaño menor al correspondiente	Aumente el calibre del cable para todos los alambres que van al motor.
	Instalado en el sol directo.	Es recomendable mantener la bomba al abrigo de la luz solar directa.
	Mala ventilación.	No mantenga la bomba en un lugar cerrado pequeño con poca ventilación. Verifique que haya espacio suficiente alrededor del motor para hacer circular aire y mantener el motor fresco.

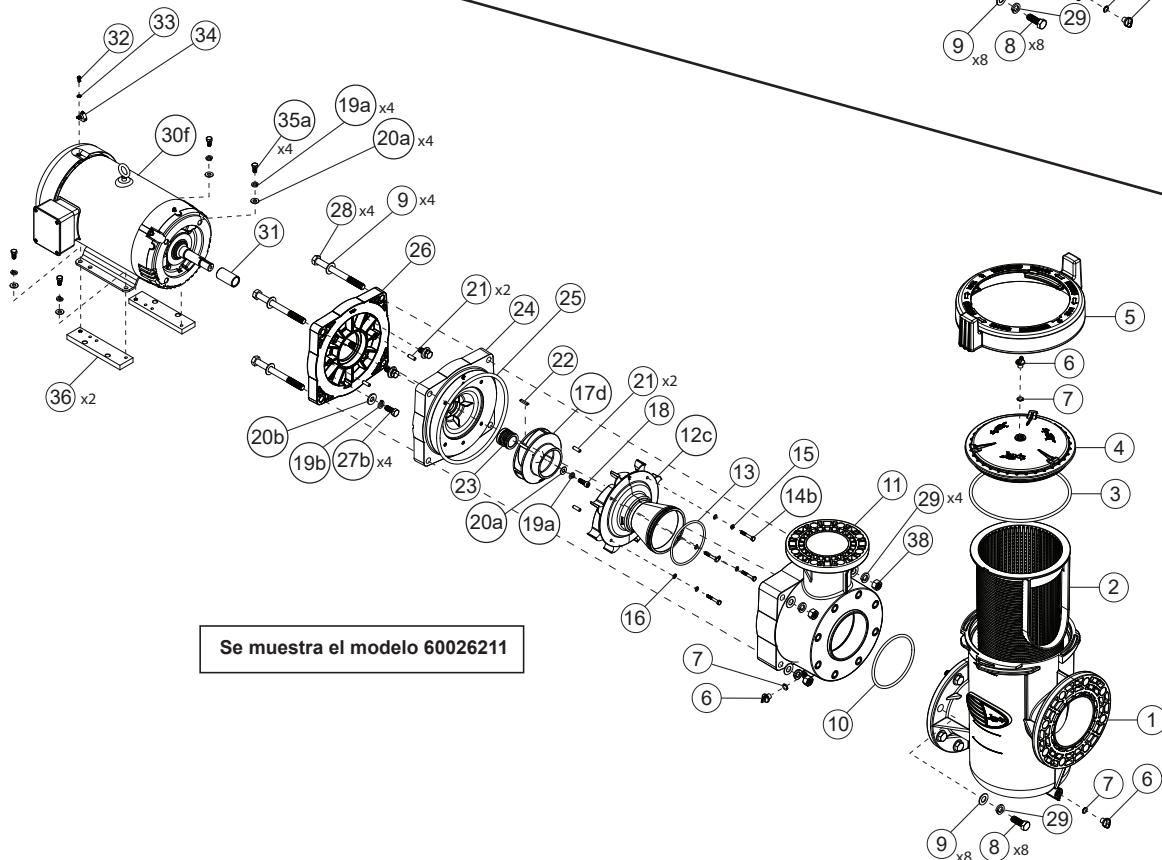
Síntoma	Causa posible	Solución
Motor ruidoso	Cojinetes defectuosos.	Indique a un técnico certificado que reemplace los cojinetes.
	El rotor golpea	Indique a un técnico certificado que controle el rotor.
	Hay residuos alrededor del ventilador	Después de desconectar el suministro eléctrico, quite la cubierta del ventilador del motor y limpie los residuos que pudieran haber quedado atrapados. Inspeccione posibles daños en el ventilador. Si el ventilador está dañado o faltan paletas, reemplace el ventilador inmediatamente. Una carga desequilibrada del ventilador puede producir daños en los cojinetes.
Bomba ruidosa	Fuga de aire en la succión	Consulte el problema 1.
	Restricción en la línea de succión debido al bloqueo o a un tamaño insuficiente de tubo. Lectura alta de vacío en la succión de la bomba.	Limpie las canastas del filtro superficial y del tamiz de la bomba. Verifique que no haya otros bloqueos en la tubería. Verifique que todas las válvulas en el extremo de succión de la bomba están completamente abiertas. El diámetro mínimo del tubo para la entrada de todas las bombas JCP es de 6 pulgadas.
	Residuos en el impulsor de la bomba	Desmonte la bomba y controle que no haya grava, palos, hojas, yeso u otros objetos extraños que pudieran obturar el impulsor. También puede haber residuos finos entre el impulsor y el difusor en la boca del impulsor.
	La bomba gira al revés	Consulte el problema 1.
	Cavitación	Mejore las condiciones de succión de la bomba. Aumente el tamaño de la tubería, reduzca la cantidad de acoples de 90 grados. Aumente la contrapresión de la bomba mediante el cierre de una válvula en la salida de la bomba. Reduzca la distancia de elevación de succión.
Si los problemas continúan, llame al soporte técnico de Jandy al 1.800.822.7933		

Sección 8. Lista de repuestos

Las ilustraciones de las piezas abarcan todos los modelos de bomba JCP Jandy. La tabla de la página 18 indica el nombre de cada pieza. Si necesita un repuesto, consulte el dibujo que aparece debajo (ubique la pieza que coincide con la de su bomba). Comuníquese con su proveedor Jandy local con el número de clave y la descripción de las piezas solicitadas, junto con el número de modelo, el número de especificaciones y el número de serie de su bomba, que se encuentran en las placas de identificación de la bomba.



Se muestra el modelo 60026203



Se muestra el modelo 60026211

Para obtener una lista completa de las piezas de repuesto, visite el sitio web www.Jandy.com o comuníquese con el soporte técnico de Jandy al 1.800.822.7933 o por correo electrónico a productsupport@fluidra.com.

NÚMEROS DE CLAVE DE JCP			
Número de clave	Descripción	Tamaño de HP	Cant.
1	Receptáculo del tamiz	Todos	1
2	Canasta del tamiz	Todos	1
3	Junta tórica, tapa del receptáculo del tamiz, 8 x 265 mm	Todos	1
4	Tapa transparente	Todos	1
5	Anillo de bloqueo	Todos	1
6	Tapón de drenaje	Todos	3
7	Junta tórica, tapón de drenaje, #2-112	Todos	3
8	Tornillo hexagonal, 5/8"- 11 x 1-3/4"	Todos	8
9	Arandela plana, 11/16" x 1-5/16" x 0.78"	Todos	8
10	Junta tórica, tamiz a bomba, 1/4" x 5-7/8", número de guión 436	Todos	1
11	Alojamiento de la bomba	Todos	1
12a	Difusor, 5-7.5 HP	5, 7.5	1
12b	Difusor, 10 HP	10	1
12c	Difusor, 15 HP	15	1
13	Junta tórica, difusor, 3/16" x 4-7/8", número de guión 352	Todos	1
14a	Tornillo hexagonal, difusor, 1/4"-20 x 1-1/2"	5, 7.5, 10	4
14b	Tornillo hexagonal, difusor, 1/4"-20 x 1-3/4"	15	4
15	Arandela dividida, 1/4"	Todos	4
16	Arandela plana, 1/4" x 1/2" x 0.057"	Todos	4
17a	Impulsor, 5.0 HP	5	1
17b	Impulsor, 7.5 HP	7.5	1
17c	Impulsor, 10.0 HP	10	1
17d	Impulsor, 15.0 HP	15	1
18	Tornillo de casquillo hexagonal, impulsor, 3/8"-16 x 1"	Todos	1
19a	Arandela dividida, 3/8"	Todos	9 o 5
19b	Arandela dividida, 1/2"	7.5, 10, 15	4
20a	Arandela plana, 3/8"	Todos	9 o 5
20b	Arandela plana, 1/2"	7.5, 10, 15	4
21	Clavija, 5/16 x 1"	Todos	4
22	Llave, eje, motor	Todos	1
23	Sello mecánico, conjunto, 1/4" tipo 2100	Todos	1
24	Placa de apoyo	Todos	1
25	Junta tórica, placa de apoyo, 3/8" x 10"	Todos	1
26	Placa adaptadora de brida de motor	Todos	1
27a	Tornillo hexagonal, 3/8 -16 x 1"	5	4
27b	Tornillo hexagonal, 1/2"-13 x 1-1/4"	7.5, 10, 15	4
28	Tornillo hexagonal, 5/8 -11 x 7"	Todos	4
29	Arandela dividida, 11/16"	Todos	4 o 12

NÚMEROS DE CLAVE DE JCP			
Número de clave	Descripción	Tamaño de HP	Cant.
30a	Motor, 5.0 HP - 3 PH	5	1
30b	Motor, 5.0 HP - 1 PH	5	1
30c	Motor, 7.5 HP - 3 PH	7.5	1
30d	Motor, 7.5 HP - 1 PH	7.5	1
30e	Motor, 10.0 HP - 3 PH	10	1
30f	Motor, 15.0 HP - 3 PH	15	1
31	Manga del eje, 1" x 1-1/4" x 2.36"	Todos	1
32a	Tornillo hexagonal, #10-32 x 1/2"	Motor TEFC	1
32b	Tornillo hexagonal, #10-32 x 1/2" roscador	Motor ODP	1
33	Arandela estrella, #10	Todos	1
34	Terminal de conexión equipotencial, dos vías	Todos	1
35a	Tornillo hexagonal, 3/8"-16 x 3/4"	7.5, 10, 15	4
35b	Tornillo hexagonal, 3/8"-16 x 1-1/2"	5	4
36	Soporte del motor, marco 215JM	Todos	2
37	Soporte del motor, marco 184JM	5	2
38	Tuerca, latón, 5/8"-11	Todos	4

8.1 Lista del kit JCP R

Para obtener una lista completa de las piezas de repuesto, visite el sitio web www.Jandy.com o comuníquese con el soporte técnico de Jandy al 1.800.822.7933 o por correo electrónico a productsupport@fluidra.com.

LISTA DEL KIT JCP R				
Elemento del kit R	Número de pieza	Descripción	Número de clave	Cant.
1	R0920400	Motor, 5.0HP, trifásico	30a	1
			36	2
			37	2
			35b	4
			19a	4
			20a	4
			31	1
			22	1
			32	1
			33	1
			34	1
2	R0920500	Motor, 5.0HP, monofásico	30b	1
			36	2
			37	2
			35b	4
			19a	4
			20a	4
			31	1
			22	1
			32	1
			33	1
			34	1
3	R0920600	Motor, 7.5HP, trifásico	30c	1
			36	2
			35a	4
			19a	4
			20a	4
			31	1
			22	1
			32	1
			33	1
			34	1

LISTA DEL KIT JCP R				
Elemento del kit R	Número de pieza	Descripción	Número de clave	Cant.
4	R0920700	Motor, 7.5HP, monofásico	30d	1
			36	2
			35a	4
			19a	4
			20a	4
			31	1
			22	1
			32	1
			33	1
			34	1
5	R0920800	Motor, 10.0HP, trifásico	30e	1
			36	2
			35a	4
			19a	4
			20a	4
			31	1
			22	1
			32	1
			33	1
			34	1
6	R0920900	Motor, 15.0HP, trifásico	30f	1
			36	2
			35a	4
			19a	4
			20a	4
			31	1
			22	1
			32	1
			33	1
			34	1
7	R0921000	Placa adaptadora de brida de motor	26	1
			21	2
8	R0921100	Kit de placa de apoyo con sellos	24	1
			23	1
			25	1
			21	2
9	R0921200	Kit del impulsor y tornillería, 5HP	17a	1
			20a	1
			19a	1
			18	1
			22	1

LISTA DEL KIT JCP R				
Elemento del kit R	Número de pieza	Descripción	Número de clave	Cant.
10	R0921300	Kit del impulsor y tornillería, 7.5HP	17b	1
			20a	1
			19a	1
			18	1
			22	1
11	R0921400	Kit del impulsor y tornillería, 10HP	17c	1
			20a	1
			19a	1
			18	1
			22	1
12	R0921500	Kit del impulsor y tornillería, 15HP	17d	1
			20a	1
			19a	1
			18	1
			22	1
13	R0921600	Kit del difusor y tornillería, 5-7.5HP	12a	1
			14a	4
			15	4
			16	4
			13	1
14	R0921700	Kit del difusor y tornillería, 10HP	12b	1
			14a	4
			15	4
			16	4
			13	1
15	R0921800	Kit del difusor y tornillería, 15HP	12c	1
			14b	4
			15	4
			16	4
			13	1
16	R0921900	Kit del alojamiento de la bomba	11	1
			25	1
			10	1
			6	1
			7	1
17	R0922000	Tornillería de la placa adaptadora de brida de motor, 215JM	27b	4
			20b	4
			19b	4
18	R0922100	Tornillería de la placa adaptadora de brida de motor, 184JM	35a	4
			20a	4
			19a	4

LISTA DEL KIT JCP R				
Elemento del kit R	Número de pieza	Descripción	Número de clave	Cant.
19	R0922200	Kit de tornillería del alojamiento de la bomba	28	4
			9	8
			29	4
			38	4
20	R0922300	Receptáculo del tamiz	1	1
			6	1
			7	1
21	R0922400	Canasta del tamiz	2	1
22	R0922500	Kit de tapa y anillo de bloqueo	5	1
			4	1
			3	1
			6	1
			7	1
23	R0922600	Kit de tornillería del receptáculo del tamiz	8	8
			9	8
			29	8
24	R0922700	Kit de sellos de la bomba JCP	25	1
			13	1
			3	1
			10	1
			7	3
25	R0922800	Kit de clavijas	21	4
26	R0922900	Kit de junta tórica del conjunto del receptáculo del tamiz	10	1
27	R0923000	Kit de sellos mecánicos	23	1
28	R0923100	Kit de junta tórica de la tapa del receptáculo del tamiz	3	1
29	R0923200	Kit de la junta tórica del difusor	13	1
30	R0923300	Kit de la junta tórica de la placa de apoyo	25	1
31	R0923400	Kit de la manga del eje	31	1
32	R0923500	Kit de terminal de conexión equipotencial	32	1
			33	1
			34	1
33	R0446000	Kit del tapón de drenaje	6	2
			7	2

Sección 9. Dimensiones del producto

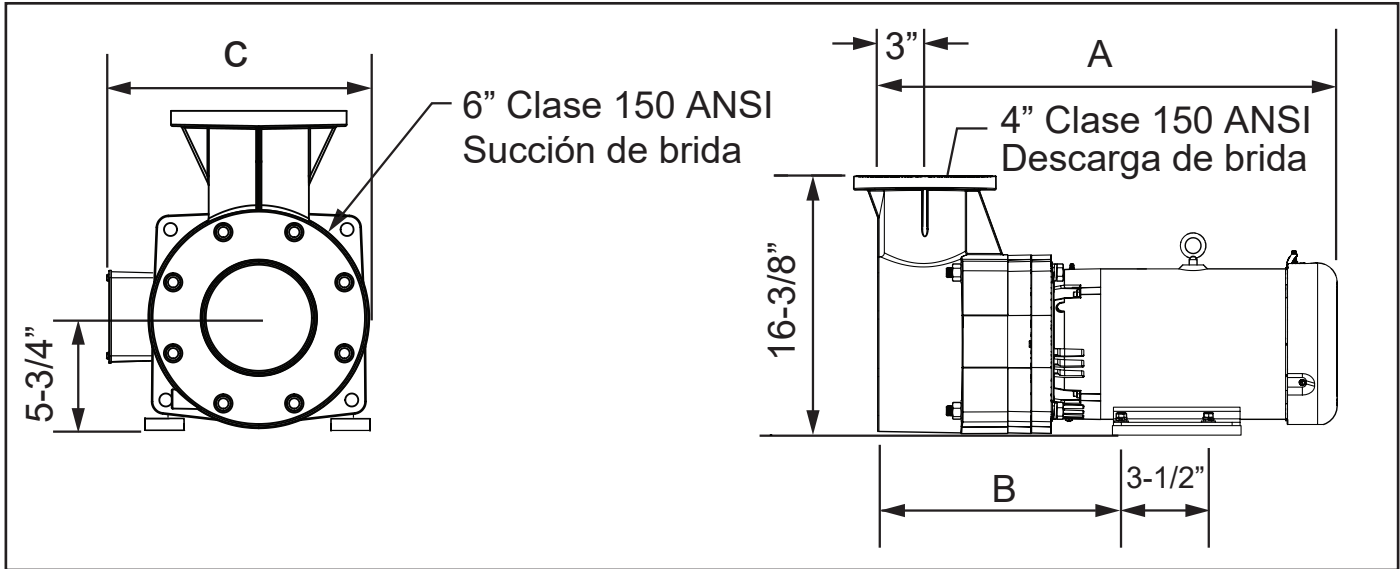


Figura 15. Dimensiones de la bomba sin receptáculo del tamiz

Bomba sin receptáculo del tamiz

Número de SKU	A	B	C	Peso con embalaje (lb)	Dimensiones con embalaje
JCP05-1CT-N	26-1/4"	16"	12-1/2"	138	33" x 24" x 25.25"
JCP07-1BD-N	25"	17"	13-1/2"	157	
JCP05-3AT-N	24-3/4"	16"	12-1/2"	129	
JCP07-3AT-N	26-1/2"	17"	13-1/2"	161	
JCP10-3AT-N	26-1/2"	17"	13-1/2"	169	
JCP15-3AT-N	29"	17"	13-1/2"	209	

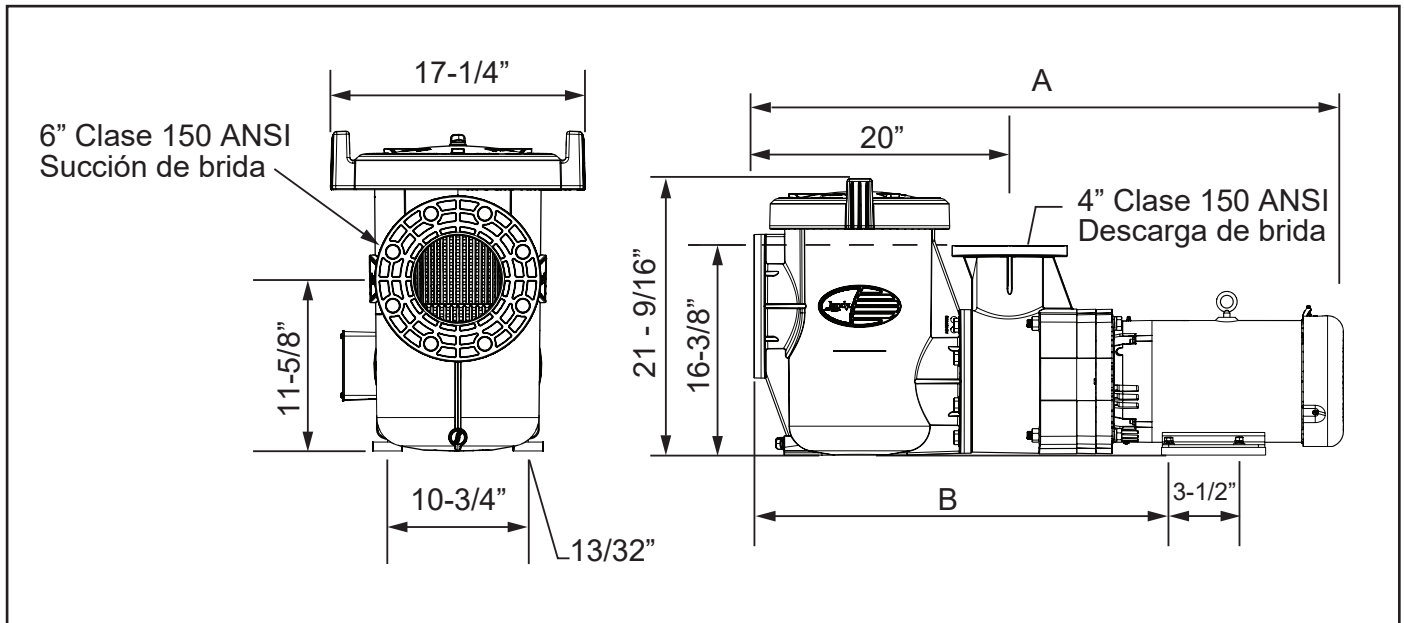


Figura 16. Dimensiones de la bomba con receptáculo del tamiz

Bomba con receptáculo del tamiz

Número de SKU	A	B	C	Peso con embalaje (lb)	Dimensiones con embalaje
JCP05-1CT-S	43-1/4"	33"	12-1/2"	178	48" x 24" x 28"
JCP07-1BD-S	42"	34"	13-1/2"	197	
JCP05-3AT-S	41-3/4"	33"	12-1/2"	169	
JCP07-3AT-S	43-1/2"	34"	13-1/2"	201	
JCP10-3AT-S	43-1/2"	34"	13-1/2"	209	
JCP15-3AT-S	46"	34"	13-1/2"	249	

Sección 10. Especificaciones del producto

10.1 Especificaciones

Número de SKU	HP del motor	S.F	Voltios	Fase	Hz	Velocidad
JCP05-1CT-N	5	1.15	208-230	1	60	3450
JCP07-1BD-N	7.5	1.15	230	1	60	3450
JCP05-3AT-N	5	1.15	208-230/460	3	60	3450
JCP07-3AT-N	7.5	1.15	208-230/460	3	60	3520
JCP10-3AT-N	10.0	1.15	208-230/460	3	60	3510
JCP15-3AT-N	15.0	1.15	208-230/460	3	60	3500
JCP05-1CT-S	5	1.15	208-230	1	60	3450
JCP07-1BD-S	7.5	1.15	230	1	60	3450
JCP05-3AT-S	5	1.15	208-230/460	3	60	3450
JCP07-3AT-S	7.5	1.15	208-230/460	3	60	3520
JCP10-3AT-S	10.0	1.15	208-230/460	3	60	3510
JCP15-3AT-S	15.0	1.15	208-230/460	3	60	3500

Número de SKU	Succión	Descarga	Marco JM	Ins	Inversor
JCP05-1CT-N	6	4	184	F	NO
JCP07-1BD-N	6	4	213	F	NO
JCP05-3AT-N	6	4	184	H	LISTO
JCP07-3AT-N	6	4	213	H	LISTO
JCP10-3AT-N	6	4	215	H	LISTO
JCP15-3AT-N	6	4	215	H	LISTO
JCP05-1CT-S	6	4	184	F	NO
JCP07-1BD-S	6	4	213	F	NO
JCP05-3AT-S	6	4	184	H	LISTO
JCP07-3AT-S	6	4	213	H	LISTO
JCP10-3AT-S	6	4	215	H	LISTO
JCP15-3AT-S	6	4	215	H	LISTO

Sección 11. Datos técnicos

Para obtener una lista completa de las piezas de repuesto, visite www.Jandy.com o comuníquese con el soporte técnico de Jandy® al 1.800.822.7933 o por correo electrónico a productsupport@fluidra.com.

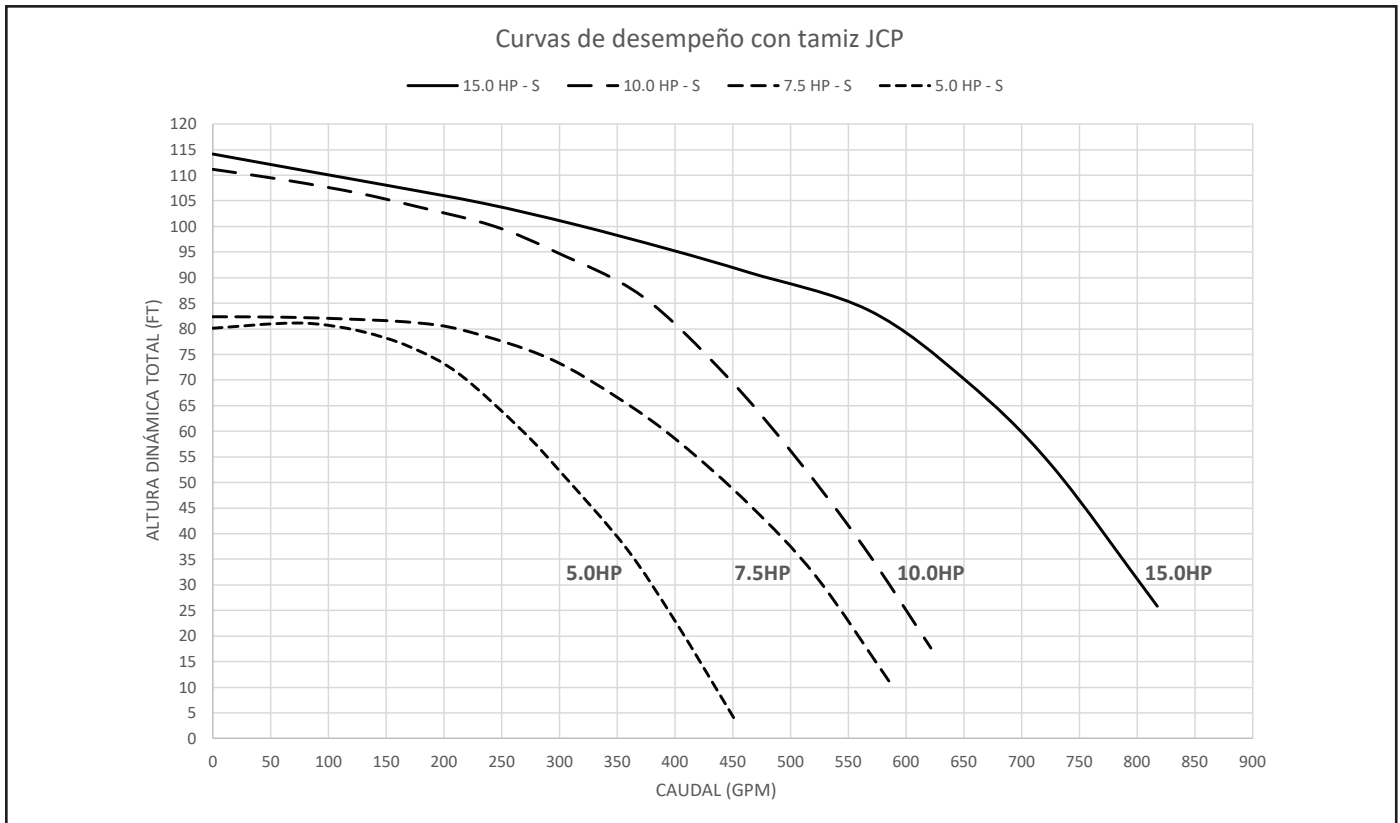


Figura 17. Jandy JCP con curvas de bomba del tamiz

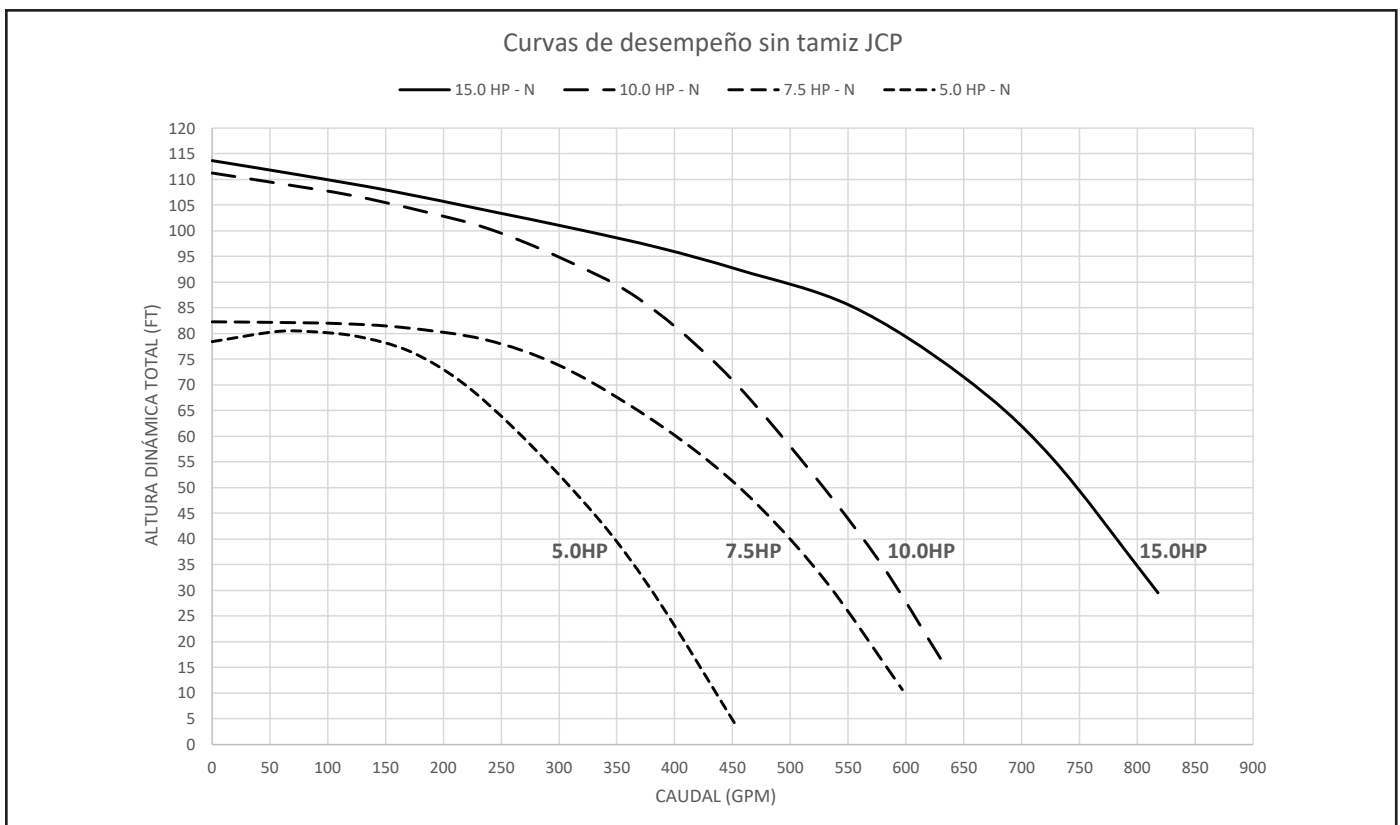


Figura 18. Jandy JCP sin curvas de bomba del tamiz

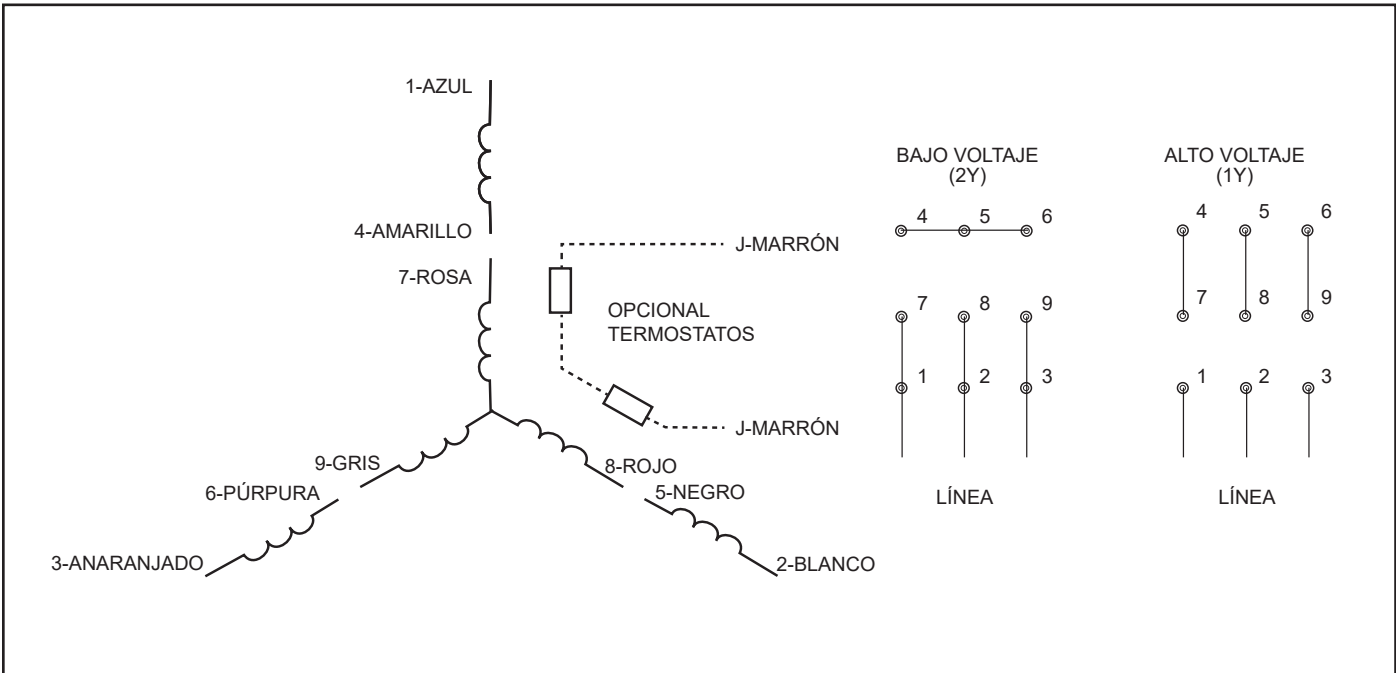


Figura 19. Diagrama eléctrico de Jandy JCP - 5.0, 7.5, 10.0, 15.0 HP, trifásico

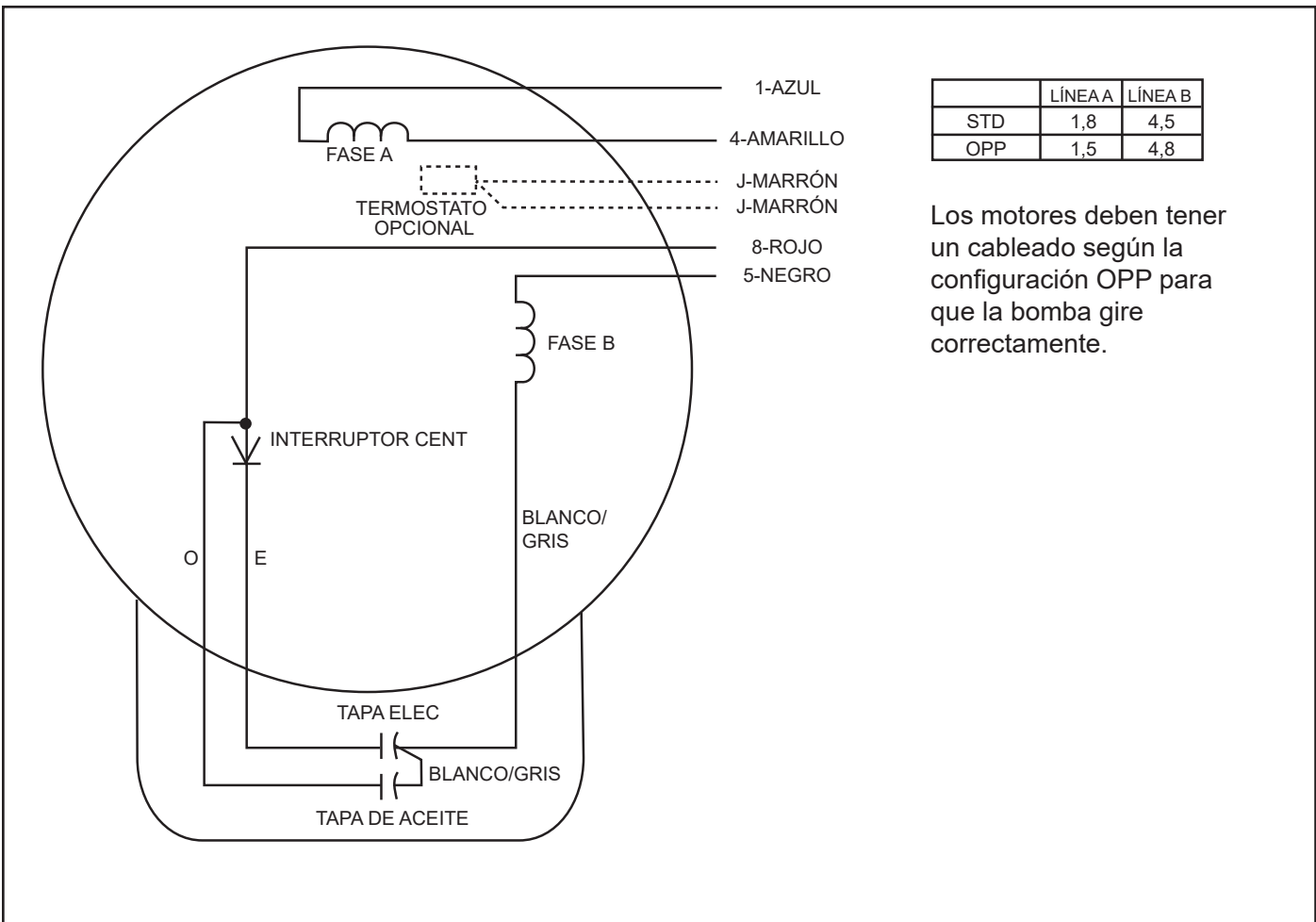


Figura 20. Diagrama eléctrico de Jandy JCP - 5.0, 7.5 HP, monofásico

NOTAS

NOTAS

NOTAS

Zodiac Pool Systems LLC

2882 Whiptail Loop # 100, Carlsbad, CA 92010

EE. UU. | Jandy.com | 1.800.822.7933

Zodiac Pool Systems Canada, Inc.

2-3365 Mainway

Burlington, ON L7M 1A6 Canadá

1.888.647.4004 | www.ZodiacPoolSystems.ca

©2021 Zodiac Pool Systems LLC. Todos los derechos reservados. ZODIAC® es una marca registrada de Zodiac International, S.A.S.U. y se utiliza bajo licencia. Todas las demás marcas comerciales son propiedad de sus respectivos dueños.
H0679300_REV C



CUMPLE CON
UL STD 1081
Con certificación
según CAN/CSA
C22.2 No. 108

