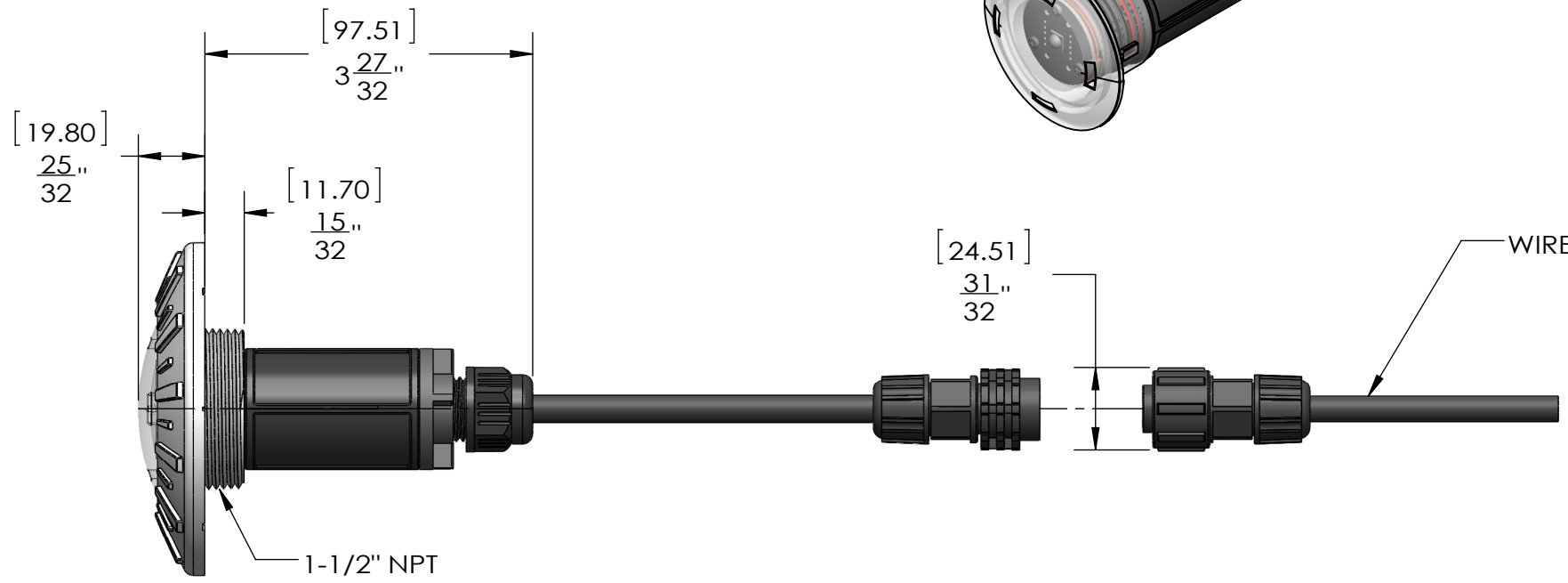
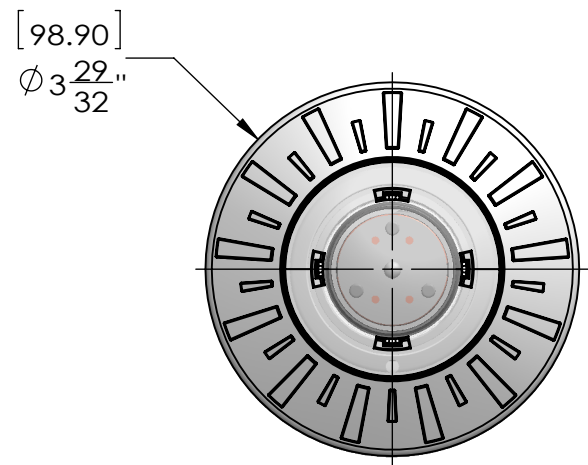
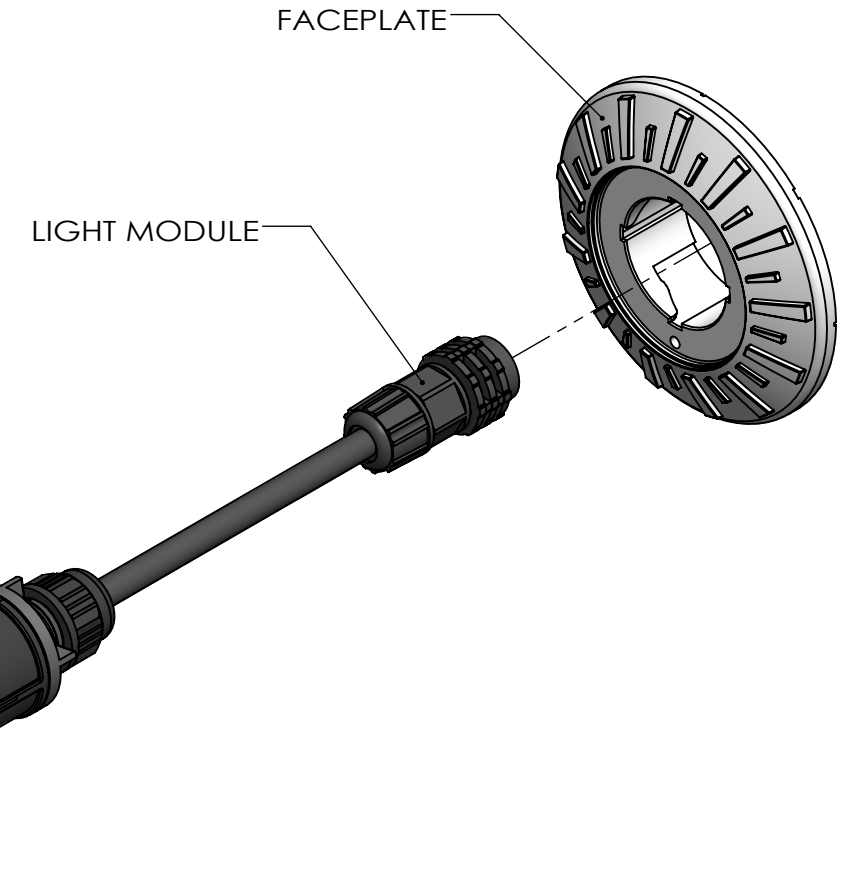
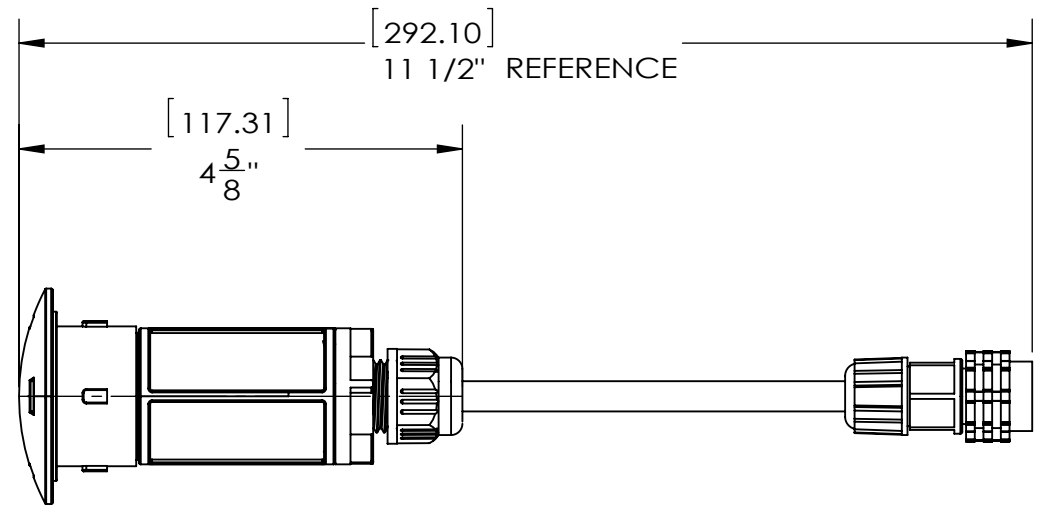
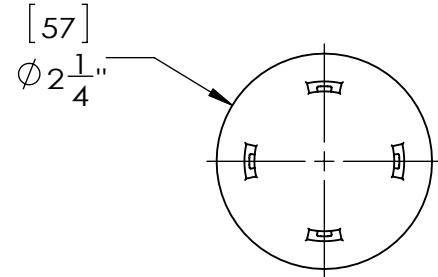


BRILLIANT WONDERS  
1.5" LED LIGHT MODULE



BRILLIANT WONDERS  
1.5" LED LIGHT MODULE  
WITH FACEPLATE

- NOTES:
- ALL IMPERIAL FRACTIONS ARE ROUNDED TO THE CLOSEST 1/32"
  - FOR MORE ACURATE DIMENSIONS REFER TO METRIC DIMENSIONS.

**PROPRIETARY AND CONFIDENTIAL**  
THE INFORMATION CONTAINED IN THIS DRAWING IS THE SOLE PROPERTY OF CUSTOM MOLDED PRODUCTS. ANY REPRODUCTION IN PART OR AS A WHOLE WITHOUT THE WRITTEN PERMISSION OF CUSTOM MOLDED PRODUCTS IS PROHIBITED.

- UNLESS OTHERWISE SPECIFIED DIMENSIONS ARE IN MILLIMETERS  
- UNLESS OTHERWISE SPECIFIED ALL SHARP EDGES ARE 0.5mm FILLET

TOLERANCES:  
X.X ± 0.2 mm  
X.XX ± 0.10 mm  
X.XXX ± 0.050 mm  
ANGULAR: ± 0.5°

MATERIAL  
-

FINISH  
-

PART NUMBER: 25501-000-000	
PROJECT #/WORK ORDER #:	
DRAWN BY jheaven	DATE 2015.10.06
MANUFACTURING CHECK	
ENGINEERING APPROVAL	
CAD GENERATED DRAWING DO NOT MANUALLY UPDATE	



TITLE: Brilliant Wonders 1.5" LED Light

DWG. NO.  
1.5in-LED-Dimension-Drawing

REV  
A

SCALE: 1:2 WEIGHT: N/A

SHEET 1 OF 1