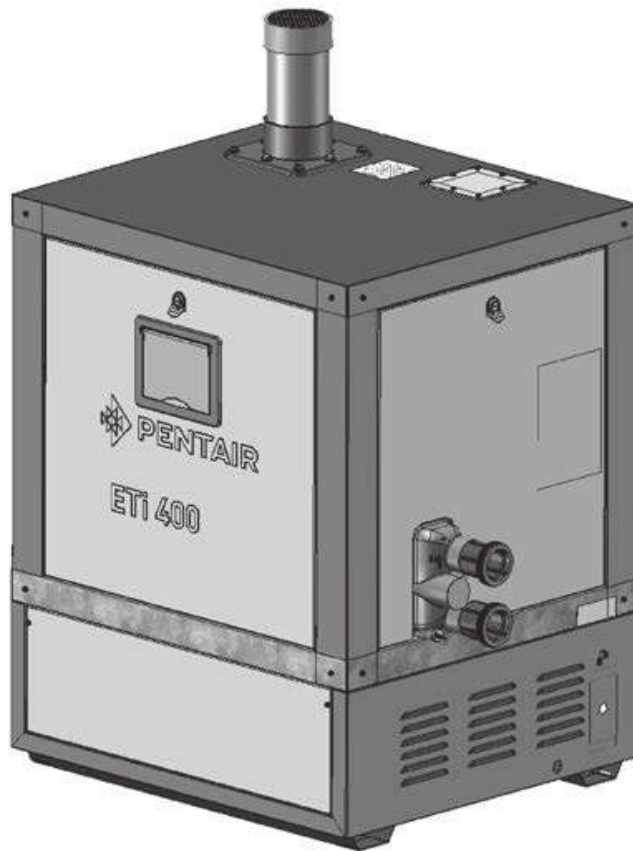




ETi® 400 POOL HIGH EFFICIENCY HEATER
COMBUSTION BLOWER
REPLACEMENT KIT
P/N 476000



INSTALLATION GUIDE

IMPORTANT!
**WARNING! FOR YOUR SAFETY: THIS PRODUCT MUST BE INSTALLED
AND SERVICED BY AUTHORIZED SERVICE PERSONNEL
QUALIFIED IN POOL/SPA INSTALLATION**

Customer Service and Technical Support

If you have questions about ordering Pentair Water Pool and Spa and Sta-Rite® replacement parts, and pool products, please call:

Phone: (800) 831-7133

Fax: (800) 284-4151

8 AM to 7:30 PM Eastern Time/Pacific Time

Visit www.pentairpool.com

Contents

IMPORTANT WARNING AND SAFETY INSTRUCTIONS.....	3-4
Combustion Blower Replacement Kit Overview	5
Required Tools	5
Gas Connection Warnings	6
Combustion Blower Kit Information	7
Location	7
Function	7
Replacing Combustion Blower.....	8-10
Sequence of Operation	11
Specifications.....	11
Parts List.....	11

IMPORTANT WARNING AND SAFETY INSTRUCTIONS



SERIOUS BODILY INJURY OR DEATH CAN RESULT IF THIS PRODUCT IS NOT INSTALLED AND USED CORRECTLY.



INSTALLERS, POOL OPERATORS AND POOL OWNERS MUST READ THESE WARNINGS AND ALL INSTRUCTIONS BEFORE USING THE ETi® 400 HIGH EFFICIENCY HEATER.



Most states and local codes regulate the construction, installation, and operation of public pools and spas, and the construction of residential pools and spas. It is important to comply with these codes, many of which directly regulate the installation and use of this product. Consult your local building and health codes for more information.



IMPORTANT NOTICE - Attention Installer: This Installation Guide ("Guide") contains important information about the installation, operation and safe use of this product. This Guide should be given to the owner and/or operator of this heater.



Before installing this product, read and follow all warning notices and instructions in this Guide. Failure to follow warnings and instructions can result in severe injury, death, or property damage. Call (800) 831-7133 for additional free copies of these instructions. Please refer to www.pentairpool.com for more information related to this products.

IN CANADA: THE CONVERSION SHALL BE CARRIED OUT IN ACCORDANCE WITH THE REQUIREMENTS OF THE PROVINCIAL AUTHORITIES HAVING JURISDICTION AND IN ACCORDANCE WITH THE REQUIREMENTS OF THE NATURAL GAS AND PROPANE INSTALLATION CODE CSA B149.1



Failure to follow instructions could result in fire or explosion with serious injury or property damage. This conversion kit shall be installed by a qualified service agency in accordance with the manufacturer's instructions and all applicable codes and requirements of the authority having jurisdiction. The information in these instructions must be followed to minimize the risk of fire or explosion or to prevent property damage, personal injury, or death. The qualified service agency is responsible for the proper installation of this kit. The installation is not proper and complete until the operation of the converted appliance is checked as specified in the manufacturer's instructions supplied with the kit.

READ AND FOLLOW ALL INSTRUCTIONS IN THIS MANUAL

IMPORTANT WARNING AND SAFETY INSTRUCTIONS

WARNING

Risk of fire or explosion from incorrect fuel use or faulty fuel conversion. Do not try to run a heater set up for natural gas on propane gas or vice versa. Only qualified service technicians should attempt to convert heater from one fuel to the other. Do not attempt to alter the rated input or type of gas by changing the orifice. If it is necessary to convert to a different type of gas, consult your Pentair dealer.

Serious malfunction of the burner can occur which may result in loss of life. Any additions, changes, or conversions required in order for the appliance to satisfactorily meet the application needs must be made by a Pentair dealer or other qualified agency using factory specified and approved parts.

WARNING

Risk of explosion if a unit converted to propane gas is installed in a pit or other low spot. Propane is heavier than air. Do not install the heater using propane in pits or other locations where gas might collect. Consult your local building code officials to determine installation requirements of heater relative to propane storage tanks and filling equipment. In Canada, Installation must meet the requirements of the Standard for the Storage and Handling of Liquid Petroleum Gases, CAN/CSA B149.1 (latest edition). In the U.S. installation must meet the requirements of the Standard for the Storage and Handling of Liquefied Petroleum Gases, ANSI/NFPA 58 (latest edition). Consult local codes and fire protection authorities about specific installation restrictions. Propane (LPG) fired heaters must not be installed in garages in Massachusetts, by order of the Massachusetts State Fire Marshall. For more information, call the Fire Marshall's office.

IN CANADA: "THIS KIT SHALL BE CARRIED OUT IN ACCORDANCE WITH THE REQUIREMENTS OF THE PROVINCIAL AUTHORITIES HAVING JURISDICTION AND IN ACCORDANCE WITH THE REQUIREMENTS OF THE CAN-B149.1 AND CAN-B149.2 INSTALLATION CODE."

Combustion Replacement Kit Overview

Before proceeding with the ETi® 400 High Efficiency Heater Combustion replacement kit, please verify that you have all the items listed as shown below in Required Tools.

Required Tools (not included in kit)

You will need the following tools and instruments for this conversion:

- 1 5/16" socket wrench or nut driver
- 1 T20 bit Torx screw driver
- 1 Channel locks
- 1 Adjustable wrench, 2-1/2" Capacity
- 1 Adjustable wrench, 1-1/2" Capacity
- 1 Flat Blade Screwdriver
- 1 1/8" NPT barbed fittings
- 1 Pipe Sealant approved for use with natural gas or Propane
- 1 Pressure gauge or manometer with range to 14" W.C. (High Pressure Gauge)
- 1 Differential pressure gauge or slope gauge (inclined manometer) capable of reading to a resolution of 0.05" W.C. (Low Pressure Gauge)
- 1 Flue-gas analyzer reading CO2 (optional)

Note: Do not attempt the heater conversion without all the listed tools shown above.

⚠ WARNING**Gas Connections**

Failure to follow instructions could result in fire or explosion with serious injury or property damage. This combustion blower replacement kit is to be installed by a Sta-Rite® and/or Pentair Water Pool and Spa ("Pentair") distributor or other qualified agency in accordance with the manufacturer's instructions and all codes and requirements of the authority having jurisdiction. The qualified agency performing this work assumes responsibility for this replacement. The term "qualified agency" means any individual, firm, corporation or company which either in person or through a representative is engaged in and is responsible for (a) the installation or replacement of gas piping or (b) the connection, installation, repair, or servicing of equipment, who is experienced in such work, familiar with all precautions required, and has complied with all the requirements of the authority having jurisdiction.

⚠ WARNING**INSTRUCTIONS FOR CHECKING THE GAS PRESSURE THROUGH THE COMBINATION GAS CONTROL VALVE.**

Risk of fire and explosion. Improper installation, adjustment, alteration, service, or maintenance of the Combination Gas Control Valve can lead to fire or explosion, causing loss of life, personal injury, or property damage.

These instructions are for the use of qualified service technicians only!

Do not attempt this procedure unless you have been trained and certified in the care and repair of gas-fired appliances!

Do not attempt this procedure if you are not confident about following instructions!

This appliance is equipped with an unconventional gas control valve that is factory set with a manifold pressure of $-.2$ " wc. Installation or service must be performed by a qualified service technician or the gas supplier. If this control valve is replaced, it must be replaced with an identical control.

NOTICE: Before converting the heater, make the necessary gas connections to the new gas supply, following the instructions in the ETi® 400 High Efficiency Heater Installation and User's Guide. Verify the maximum and minimum regulated gas pressures from the gas

Combustion Blower Kit Information

The ETi[®] 400 High Efficiency Heater Burner System includes the Combustion Blower, Air Orifice, Combination Gas Control Valve, Gas Orifice, DSI electrode, and Flameholder.

Location

There are two combustion blowers in the heater. Each blower is attached to each heat exchanger. See figure 1.

Function

The Combustion Blower draws in air and gas, and forces the air/gas mixture into the burner. The Air Orifice, attached to the Blower inlet, meters the flow of combustion air to the Burner. The Blower inlet is under a negative pressure, and the Blower outlet is at a positive pressure. To check Combustion Blower operation, disconnect the flexible plastic tubes at the Pressure Switch and connect them to a differential pressure gauge. Turn the gas off and press POOL ON. When the Blower starts, check the differential pressure. Increase the temperature setting, if necessary, to start the Blower. The pressure differential should be as shown in Table 1.

Table 1: Pressure Differential

Model	Pressure Differential Nominal (in W.C.)
ETi 400	2.0

Replacing Combustion Blower

⚠ WARNING

Fire and explosion hazard. The Air Orifice is sized specifically for the air/gas mixture required by the burner. Do not modify the Air Orifice or replace it with an orifice of a different size.

⚠ WARNING

Fire and explosion hazard. The Combustion Blower handles a combustible air/gas mixture. When servicing this part, check all seals for tightness to ensure that the Blower is not leaking.

1. **Turn off the electrical supply to the heater; turn off the pump; shut off the manual gas supply valve to the heater.**
2. Remove the side panels from the heater to access the Gas Control Valve and Combustion Blower. Using a flat-blade screwdriver, insert press and turn the screwdriver to unlock the panel, see Figure 1.
3. Remove the water manifold service panel. Using a flat-blade screwdriver, insert press and turn the screwdriver to unlock the panel.
4. Turn the gas valve TOGGLE SWITCH to the OFF position.
5. Disconnect the wires to the blower at the connector.
6. Remove and discard the plastic tubing between the blower, the air flow switch, and the gas valve.
7. Using channel locks, loosen the gas-train at the two unions located near the blowers and the union located near the gas valve, see Figure 2.
8. Unscrew all the unions completely to remove the gas train. Now the gas train can be removed providing clearance to remove the blower. Take care not to lose both gas orifices, see Figure 6.
9. Disconnect the wires connected to the air flow switch attached to the blower being replaced.

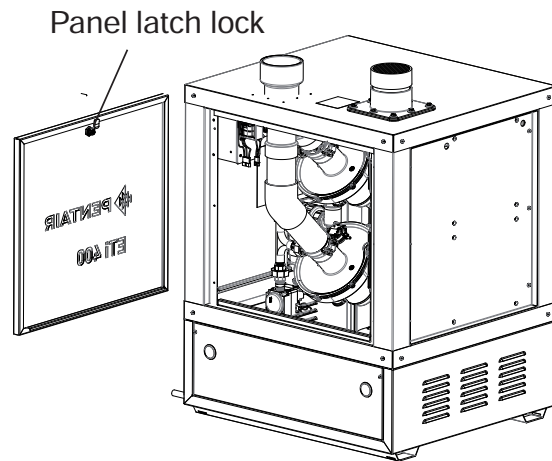


Figure 1.



Figure 2.

Replacing Combustion Blower (Continued)

10. Remove the four 5/16-18 hex nut from the blower adapter and slide the blower outward through the studs of the blower adapter, see Figure 3.
11. Remove and discard the blower gasket and unscrew the four 4x10 MM torx screws.
12. Replace the blower adapter, install the new blower adapter and secure it to the heat exchanger with the four 4x10 MM torx screws.
13. Install the new blower gasket onto the blower adapter. Be sure the gasket is aligned properly on the blower adapter, see Figure 4.
14. Remove the short section of $\frac{3}{4}$ " NPT pipe from the blower and install it to the new blower using pipe paste.
15. Remove the air orifice from the blower being replaced and install it into the new blower and secure it with the 10-16 screws.
16. Detach the air flow switch from the blower being replaced and install it onto the new blower and secure it with 6-32 screws.
17. Install the blower by sliding the flange holes through the blower adapter studs. Secure the blower with the four 5/16-18 hex nuts.
18. Reconnect the wires to the air flow switch and the wires to the blower at the connector.
19. Install the new plastic tubing (included in the kit) to the air flow switch, blower and gas valve, see Figure 5.

Continue to next page.



Figure 3.



Figure 4.



Figure 5.

Replacing Combustion Blower (Continued)

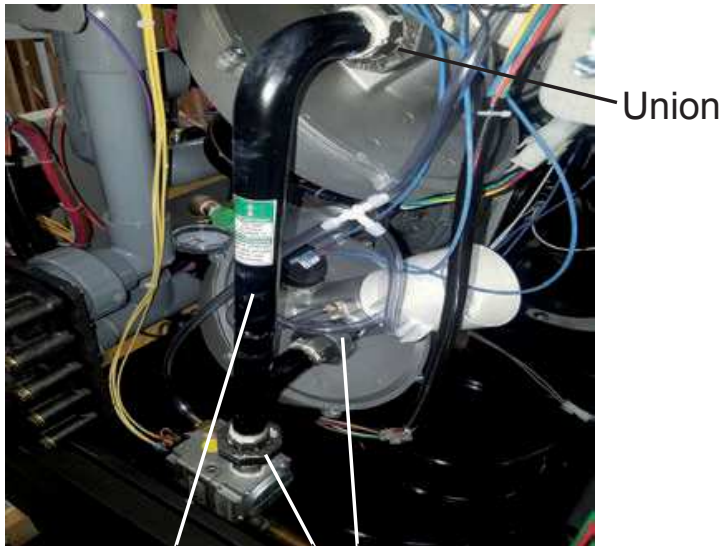


Figure 6.

Gas-train Union



Figure 7.

Union Orifice

20. Be sure the GAS ORIFICES are positioned vertically, not at an angle, then reattach the gas-train to the blowers and the gas valve. Using either channel locks or an adjustable wrench, hand tighten the unions to ensure a proper seal, see Figure 6 and Figure 7.
21. Leak test the blower by operating it with the gas turned off, turning on the power, and then increasing the temperature setting on the membrane pad. Use a soapy water solution to leak test the blowers outlet flange.

Note: When checking for leaks, raise the blower's outlet pressure by blocking the flue or vent body with your hand.
22. Open the manual gas supply valve. Leak-test the gas line with a soapy water solution. Be sure there are no gas leaks.
23. Start the heater. Observe it for smooth ignition and regular combustion without undue noise or pulsation.
24. Run the heater for at least 10 minutes. After at least 10 minutes of continuous operation, insert a combustion analyzer probe into the exhaust and measure CO₂. The recommended CO₂ ranges for natural gas and propane are listed in Table 2. Preferably, the readings should be in the midrange.

Table 2. Flue Gas CO₂ and O₂ Ranges

Fuel	Recommended CO ₂ (Dry Basis)
NG	7.80% – 9.2%
Propane	9.6% – 10.2%

Specifications

Inlet Pressure:	
Min./Max:	4" / 12" WC
Manifold Pressure:	
Reference to Blower inlet tap:	-0.2" WC
Required Gas Input (BTU/Hr):	399.990 BTU/Hr
Model: ETi® 400 High Efficiency Heater	

Parts List for Combustion Blower Kit P/N 476000

Description	Qty.	P/N
Straight Connector Ftg. 1/8 NPT x 0.25in	1	33202-0659
Hex nut LK washer 5/16-18	4	35406-4323
Tubing PVC 0.25 ID x 0.375 in OD x 7.5 in	6	475845
Tubing PVC 0.25 ID x 0.375 in OD x 15.5 in	1	475847
Gasket Blower Adapter	1	475360
Blower Adapter Hi-E	1	475343
Blower Enclosed Moter	1	472285
1/4 in Tee Fitting	1	475850
Installation Guide, Heater Combustion Blower	1	476110



1620 HAWKINS AVE., SANFORD, NC 27330 • (919) 566-8000
10951 WEST LOS ANGELES AVE., MOORPARK, CA 93021 • (805) 553-5000

WWW.PENTAIRPOOL.COM

All Pentair trademarks and logos are owned by Pentair or one of its global affiliates. ETi® and Sta-Rite® are registered trademarks of Pentair Water Pool and Spa, Inc. and/or its affiliated companies in the United States and/ or other countries. Unless expressly noted, names and brands of third parties that may be used in this document are not used to indicate an affiliation or endorsement between the owners of these names and brands and Pentair Water Pool and Spa, Inc. Those names and brands may be the trademarks or registered trademarks of those third parties. Because we are continuously improving our products and services, Pentair reserves the right to change specifications without prior notice. Pentair is an equal opportunity employer.

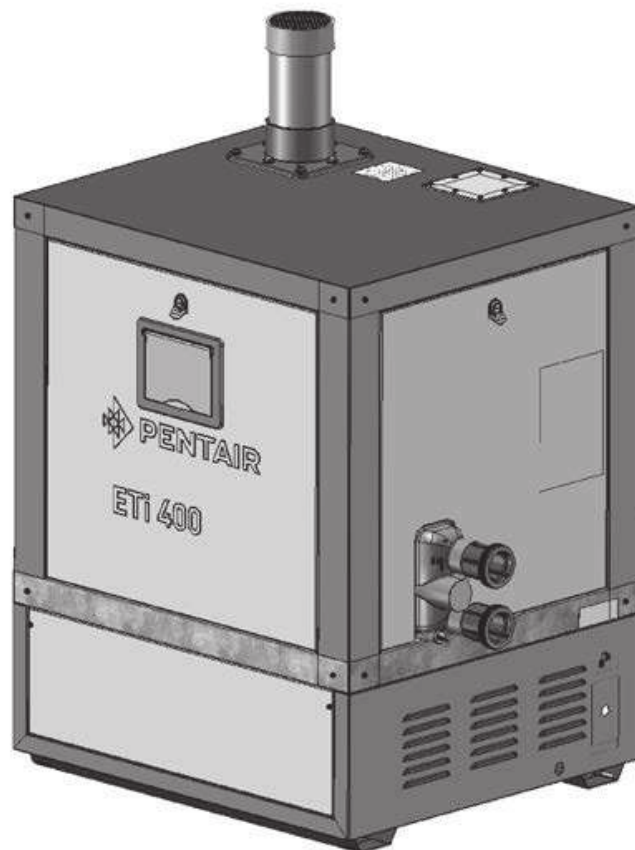
© 2017 Pentair Water Pool and Spa, Inc. All rights reserved. This document is subject to change without notice.



P/N 476110 REV. A 11/2017



CALENTADOR DE ALTA EFICIENCIA
PARA PISCINAS ETi® 400
KIT DE REEMPLAZO DEL SOPLADOR
A COMBUSTIÓN
N/P 476000



GUÍA DE INSTALACIÓN

¡IMPORTANTE!
**¡ADVERTENCIA! PARA SU SEGURIDAD: ESTE PRODUCTO DEBE SER
INSTALADO Y MANTENIDO POR PERSONAL DE SERVICIO AUTORIZADO,
CON CALIFICACIÓN PARA INSTALACIONES DE PISCINAS/SPA**

Servicio al cliente y soporte técnico

Si tiene alguna pregunta sobre cómo ordenar partes de repuesto de Pentair Water Pool and Spa y Sta-Rite® y productos para piscinas, llame al:

Teléfono: (800) 831-7133

Fax: (800) 284-4151

De 8 a. m. a 7:30 p. m. hora del Este/Pacífico
Visite www.pentairpool.com

Índice

ADVERTENCIA IMPORTANTE E INSTRUCCIONES DE SEGURIDAD.....	3-4
Descripción del kit de reemplazo del soplador a combustión.....	5
Herramientas necesarias.....	5
Advertencias sobre la conexión de gas	6
Información sobre el kit del soplador a combustión	7
Ubicación	7
Funcionamiento	7
Cómo reemplazar el soplador a combustión.....	8-10
Secuencia de funcionamiento	11
Especificaciones	11
Lista de partes	11

ADVERTENCIA IMPORTANTE E INSTRUCCIONES DE SEGURIDAD

PELIGRO

NO INSTALAR NI USAR CORRECTAMENTE ESTE PRODUCTO PUEDE OCASIONAR LESIONES FÍSICAS GRAVES O LA MUERTE.

PELIGRO

LOS INSTALADORES, OPERADORES Y PROPIETARIOS DE PISCINAS DEBEN LEER ESTAS ADVERTENCIAS Y TODAS LAS INSTRUCCIONES ANTES DE USAR EL CALENTADOR DE ALTA EFICIENCIA ETi® 400.

ADVERTENCIA

La mayoría de los códigos estatales y locales regulan la construcción, la instalación y el funcionamiento de piscinas y spas públicos, y la construcción de piscinas y spas residenciales. Es importante respetar dichos códigos, muchos de los cuales regulan en forma directa la instalación y el uso de este producto. Consulte sus códigos de construcción y de salud locales para obtener más información.



AVISO IMPORTANTE - Aviso para el instalador: Esta Guía de instalación ("Guía") contiene información importante acerca de la instalación, el funcionamiento y el uso seguro de este producto. Esta Guía se debe entregar al propietario y/o al operador de este calentador.

ADVERTENCIA

Antes de instalar este producto, lea y tenga en cuenta todos los avisos de advertencia y las instrucciones que se incluyen en esta Guía. No respetar las advertencias o no seguir las instrucciones puede provocar lesiones graves, la muerte o daños a la propiedad.

Llame al (800) 831-7133 para obtener copias adicionales gratis de estas instrucciones. Visite www.pentairpool.com para acceder a más información relacionada con estos productos.

EN CANADÁ: LA CONVERSIÓN SE DEBE REALIZAR CONFORME A LOS REQUISITOS DE LAS AUTORIDADES PROVINCIALES QUE TIENEN JURISDICCIÓN Y A LOS PREVISTOS EN EL CÓDIGO DE INSTALACIÓN DE GAS NATURAL Y PROPANO CSA B149.1

ADVERTENCIA

No seguir las instrucciones podría desencadenar incendios o explosiones que podrían ocasionar lesiones o daños graves a la propiedad. Este kit de conversión debe ser instalado por una agencia de servicio calificada, conforme a las instrucciones del fabricante, a todos los códigos correspondientes y a los requisitos de la autoridad competente. Se deben seguir estas instrucciones a fin de reducir al mínimo el riesgo de incendio o explosión o para prevenir daños a la propiedad, lesiones personales o la muerte. La agencia de servicio calificada será responsable de la adecuada instalación de este kit. La instalación no se considerará adecuada ni completa hasta tanto se haya verificado el funcionamiento del dispositivo convertido, según lo especificado en las instrucciones del fabricante suministradas con el kit.

LEA Y SIGA TODAS LAS INSTRUCCIONES DE ESTE MANUAL

ADVERTENCIA IMPORTANTE E INSTRUCCIONES DE SEGURIDAD

ADVERTENCIA

El uso del combustible incorrecto o una conversión de combustible defectuosa suponen riesgo de incendio o explosión. No intente encender un calentador configurado para gas natural con gas propano o viceversa. Solo los técnicos de servicio calificados pueden convertir el calentador de un combustible al otro. No intente modificar el orificio para alterar la entrada configurada o el tipo de gas. Si es necesario hacer la conversión a otro tipo de gas, consulte con su distribuidor de Pentair.

Podría producirse una avería grave en el calentador que podría resultar mortal. Cualquier agregado, cambio o conversión necesarios para que el dispositivo cubra sus necesidades de aplicación de manera satisfactoria deben estar a cargo de un distribuidor de Pentair u otra agencia calificada, utilizando partes especificadas y aprobadas por el fabricante.

ADVERTENCIA

Existe un riesgo de explosión si una unidad convertida a gas propano se instala en un pozo u otro lugar bajo. El propano es más pesado que el aire. No instale un calentador de gas propano en un pozo o en otro lugar donde podría acumularse gas.

Consulte con los funcionarios responsables de los códigos de construcción locales, para determinar los requisitos de instalación de un calentador con respecto a tanques de almacenamiento y equipos de surtido de gas propano. En Canadá, la instalación debe satisfacer los requisitos de la Norma para el Almacenamiento y Manejo de Gases de Petróleo Líquido, CAN/CSA B149.1 (la edición más actual). En los Estados Unidos, la instalación debe satisfacer los requisitos de la Norma para el Almacenamiento y Manejo de Gases de Petróleo Líquido, ANSI/NFPA 58 (la edición más actual). Consulte los códigos locales y a las autoridades de protección contra incendios acerca de las restricciones específicas de instalación.

No se deben instalar calentadores alimentados con propano (GPL) en garajes en Massachussetts, en virtud de lo dispuesto por el Inspector General de Bomberos de Massachussetts. Para obtener más información, llame a la oficina del Inspector General de Bomberos.

EN CANADÁ: "ESTE KIT SE DEBE INSTALAR CONFORME A LOS REQUISITOS DE LAS AUTORIDADES PROVINCIALES QUE TIENEN JURISDICCIÓN Y A LOS PREVISTOS EN EL CÓDIGO DE INSTALACIÓN CAN-B149.1 Y CAN-B149.2".

Descripción del kit de reemplazo del soplador a combustión

Antes de comenzar con el kit de reemplazo del soplador a combustión del calentador de alta eficiencia ETi® 400. Verifique que tenga todas las herramientas enumeradas a continuación.

Herramientas necesarias (no incluidas en el kit)

Necesitará las siguientes herramientas e instrumentos para esta conversión:

- 1 llave o llave de tuerca de 5/16"
- 1 destornillador Torx de broca T20
- 1 pinza pico de loro
- 1 llave ajustable, con capacidad para 2-1/2"
- 1 llave ajustable, con capacidad para 1-1/2"
- 1 destornillador plano
- 1 adaptador con rosca hembra NPT de 1/8"
- 1 sellador de tuberías aprobado para usar con gas natural o propano
- 1 manómetro o medidor de presión con alcances de hasta 14" W.C. (Medidor de alta presión)
- 1 medidor de presión diferencial o manómetro de tubo inclinado que pueda leer a una resolución de 0.05" W.C. (Medidor de baja presión)
- 1 analizador de conductos de gases de combustión que lea CO2 (opcional)

Nota: no intente hacer la conversión del calentador sin todas las herramientas enumeradas, que se muestran arriba.

 **ADVERTENCIA**

Conexiones de gas

No seguir las instrucciones podría desencadenar incendios o explosiones que podrían ocasionar lesiones o daños graves a la propiedad. Este kit de reemplazo del soplador a combustión debe ser instalado por un distribuidor de Sta-Rite® y/o de Pentair Water Pool and Spa ("Pentair") u otra agencia calificada, conforme a las instrucciones del fabricante y todos los códigos correspondientes y requisitos de la autoridad competente. La agencia calificada que realice la tarea asume la responsabilidad por este reemplazo. El término "agencia calificada" hace referencia a cualquier persona, firma, corporación o compañía, que personalmente o a través de un representante, realiza y es responsable de (a) la instalación o el reemplazo de la tubería de gas o de (b) la conexión, la instalación, la reparación o el servicio de mantenimiento de los equipos. Esta agencia calificada tiene experiencia para realizar el trabajo, está familiarizada con todas las precauciones relacionadas y cumple con todos los requisitos establecidos por la autoridad competente.

 **ADVERTENCIA**

INSTRUCCIONES PARA VERIFICAR LA PRESIÓN DE GAS MEDIANTE LA VÁLVULA DE COMBINACIÓN DE CONTROL DE GAS.

Riesgo de incendio y explosión. Una instalación, un ajuste, una alteración, un servicio o un mantenimiento inadecuados de la válvula de combinación de control de gas puede desencadenar incendios o explosiones, que pueden ocasionar la muerte, lesiones personales y daños a la propiedad.

Estas instrucciones son exclusivamente para uso de técnicos de servicio calificados.

No intente realizar este procedimiento si no tiene el entrenamiento y la certificación para el mantenimiento y la reparación de dispositivos con alimentación de gas.

No intente realizar este procedimiento si no se siente seguro respecto a estas indicaciones.

Este dispositivo está equipado con una válvula de control de gas no convencional, configurada de fábrica con una presión en el colector de -0.2 " wc. La instalación o el mantenimiento deben estar a cargo de un técnico de servicio o gasista calificados. Si se reemplaza esta válvula de control, se debe reemplazar por un control idéntico.

AVISO: Antes de iniciar la conversión del calentador, haga las conexiones de gas necesarias del nuevo suministro de gas, siguiendo las instrucciones que figuran en la Guía de instalación y del usuario del calentador de alta eficiencia ETi® 400. Verifique las presiones de gas máxima y mínima reglamentarias del suministro de gas. Estas presiones deben estar dentro del rango que figura en la placa de conversión.

Información sobre el kit del soplador a combustión

El sistema de combustión del calentador de alta eficiencia ETi[®] 400 incluye el soplador a combustión, el orificio de escape de aire, la válvula de combinación de control de gas, el orificio de escape de gas, el electrodo DSI y el dispositivo para mantener la combustión.

Ubicación

El calentador tiene dos sopladores a combustión. Cada soplador está anexo a cada intercambiador de calor. Vea la figura 1.

Funcionamiento

El soplador a combustión succiona aire y gas, y empuja esta mezcla hacia el quemador. El orificio de escape de aire, junto a la entrada del soplador, hace ingresar la corriente de aire de combustión al quemador. En la entrada del soplador hay una presión negativa mientras que en la salida hay una positiva. Para revisar el funcionamiento del soplador a combustión, desconecte los tubos de plástico flexibles en el interruptor de presión y conéctelos a un medidor de presión diferencial. Cierre el suministro de gas y presione POOL ON. Cuando comience a funcionar el soplador, verifique la presión diferencial. Aumente la configuración de temperatura, si es necesario, para poner en marcha el soplador. La presión diferencial debe ser tal como se muestra en la Tabla 1.

Tabla 1: Presión diferencial

Modelo	Presión diferencial nominal (en W.C.)
ETi 400	2.0

Cómo reemplazar el soplador a combustión

ADVERTENCIA

Peligro de incendio y explosión. El orificio de escape de aire tiene el tamaño adecuado para la mezcla de aire/gas que exige el quemador. No modifique el orificio de escape de aire ni lo reemplace con un orificio de otro tamaño.

ADVERTENCIA

Peligro de incendio y explosión. El soplador a combustión trabaja con una mezcla combustible de aire y gas. Al realizar el servicio de mantenimiento de esta parte, revise todos los sellos para que el soplador no tenga fugas.

1. Corte el suministro eléctrico del calentador, apague la bomba y cierre la válvula manual de suministro de gas que va al calentador.
2. Quite los paneles laterales del calentador para acceder a la válvula de control de gas y al soplador a combustión. Con un destornillador plano, haga presión y gire para destrabar el panel, vea la Figura 1.
3. Retire el panel de servicio de mantenimiento del colector de agua. Con un destornillador plano, haga presión y gire para destrabar el panel.
4. Coloque el INTERRUPTOR de la válvula de gas en la posición de APAGADO.
5. Desconecte los cables del soplador del conector.
6. Desconecte y descarte los tubos entre el soplador, el interruptor de flujo de aire y la válvula de control de gas.
7. Use una pico de loro para aflojar el tren de gas a la altura de las dos uniones ubicadas cerca de los sopladores y la unión próxima a la válvula de gas, vea la Figura 2.
8. Quite por completo los tornillos de todas las uniones para retirar el tren de gas. Ahora puede retirar el tren de gas y le queda espacio para quitar el soplador. Tenga cuidado de no aflojar ambos orificios de gas, vea la Figura 6.
9. Desconecte los cables del interruptor de flujo de aire anexo al soplador que se está por reemplazar.

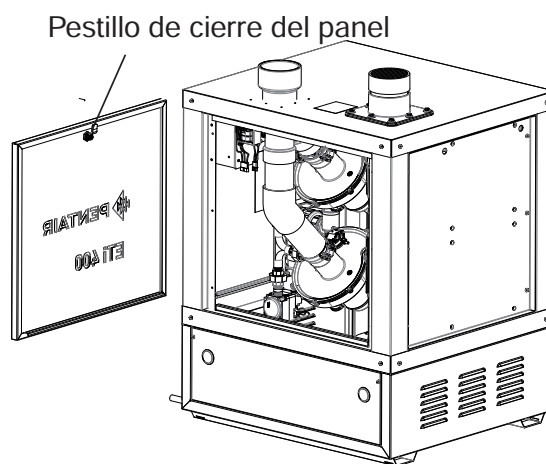


Figura 1.



Figura 2.

Cómo reemplazar el soplador a combustión (continuación)

10. Retire las cuatro tuercas hexagonales de 5/16-18 del adaptador del soplador y deslice el soplador hacia afuera por los pasadores del adaptador del soplador, vea la Figura 3.
11. Retire y deseche la junta del soplador, y quite los cuatro tornillos con cabeza Torx de 4x10 MM.
12. Reemplace el adaptador del soplador, instale el adaptador del soplador nuevo y asegúrelo al intercambiador de calor con los cuatro tornillos con cabeza Torx de 4x10 MM.
13. Coloque la junta del soplador nueva en el adaptador del soplador. Verifique que la junta esté alineada correctamente con el adaptador del soplador, vea la Figura 4.
14. Retire la sección corta de la tubería NPT de $\frac{3}{4}$ " del soplador e instálela al soplador nuevo con pasta para tubería.
15. Retire el orificio de escape de aire del soplador que se va a reemplazar, instálelo en el soplador nuevo y asegúrelo con los tornillos 10-16.
16. Separe el interruptor de flujo de aire del soplador que se va a reemplazar, instálelo en el soplador nuevo y asegúrelo con los tornillos 6-32.
17. Para instalar el soplador, deslice los orificios del borde por los pasadores del adaptador del soplador. Asegure el soplador con las cuatro tuercas hexagonales de 5/16-18.
18. Vuelva a conectar los cables al interruptor de flujo de aire y los cables del soplador en el conector.
19. Instale los tubos de plástico nuevos (incluidos en el kit) al interruptor de flujo de aire, al soplador y a la válvula de gas; vea la Figura 5.

Continúa en la página siguiente.



Figura 3.



Figura 4.



Figura 5.

Cómo reemplazar el soplador a combustión (continuación)

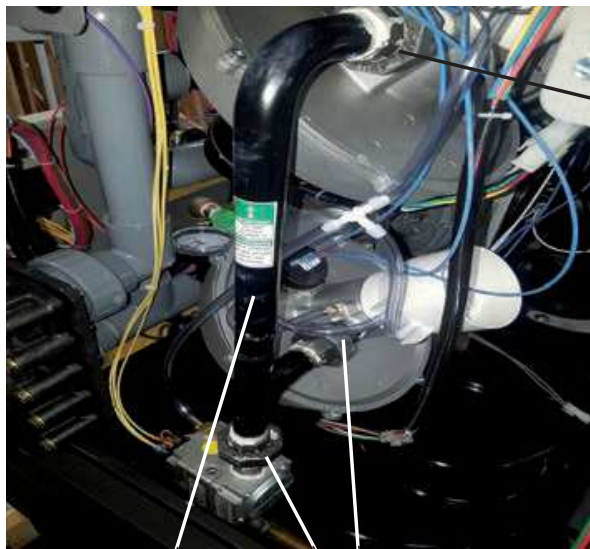


Figure 6.

tren de gas unión



Figure 7.

unión orificio de escape de aire tiene

20. Asegúrese de que los AGUJEROS DE GAS estén en posición vertical, no en ángulo, luego vuelva a conectar el tren de gas a los sopladores y la válvula de gas. Con cualquiera de los bloqueos de los canales o una llave ajustable, apriete a mano las juntas para asegurar el sellado correcto, vea la Figura 6 y la Figura 7.
21. Pruebe el soplador para verificar que no haya fugas. Para ello, hágalo funcionar con el gas cerrado, restablezca el suministro eléctrico y luego aumente la configuración de temperatura en el tablero de membrana. Use agua jabonosa para verificar que no haya fugas en el borde de salida de los sopladores.
Nota: Cuando verifique si hay fugas, aumente la presión de salida del soplador. Para ello, bloquee el conducto o la ventilación con la mano.
22. Abra la válvula manual de suministro de gas. Revise que no haya fugas de gas con una solución de agua jabonosa. Verifique que no haya fugas de gas.
23. Encienda el calentador. Observe que el encendido sea suave y la combustión regular, sin sonidos ni vibraciones irregulares.
24. Haga funcionar el calentador durante al menos 10 minutos. Después de al menos 10 minutos de funcionamiento constante, inserte un tubo de análisis de combustión en el escape y mida el nivel de CO₂. Los niveles de CO₂ recomendados para gas natural y propano se indican en la Tabla 2. Es preferible que las lecturas estén dentro de un rango medio.
25. Reemplace el panel de servicio de mantenimiento del colector de agua y el panel de servicio de mantenimiento lateral. Vea la figura 1 en la página 8.

Tabla 2. Niveles de CO₂ y O₂ en gases de combustión

Combustible	CO ₂ recomendado (base seca)
NG	7.80% – 9.2%
Propano	9.6 % – 10.2 %

Especificaciones

Presión de entrada:	
Min./Máx.:	4" / 12" WC
Presión del colector:	
Referencia para la llave de entrada del soplador:	-0,2" WC
Entrada de gas obligatoria (BTU/H):	399.990 BTU/H
Modelo: Calentador de alta eficiencia ETi® 400	

Lista de partes del kit de soplador a combustión, N/P 476000

Descripción	Cant.	N/P
Adaptador de conector recto NPT de 1/8 x 0.25 in	1	33202-0659
Arandela LK para tuerca hexagonal 5/16-18	4	35406-4323
Tuberías PVC 0.25 DI x 0.375 in DE x 7.5 in	6	475845
Tuberías PVC 0.25 DI x 0.375 in DE x 15.5 in	1	475847
Adaptador para soplador con junta	1	475360
Adaptador para soplador de alta eficiencia	1	475343
Motor para soplador cerrado	1	472285
Adaptador en T de 1/4 in	1	475850
Guía de instalación, soplador a combustión para calentador	1	476110



1620 HAWKINS AVE., SANFORD, NC 27330 • (919) 566-8000

10951 WEST LOS ANGELES AVE., MOORPARK, CA 93021 • (805) 553-5000

WWW.PENTAIRPOOL.COM

Todas las marcas comerciales y los logotipos de Pentair son propiedad de Pentair o de alguna de sus filiales internacionales. ETi® y Sta-Rite® son marcas comerciales registradas de Pentair Water Pool and Spa, Inc. y/o de sus filiales en los Estados Unidos y/o en otros países. A menos que se indique expresamente, los nombres y las marcas de terceros que puedan usarse en este documento no se usan para mostrar una asociación o un respaldo entre los propietarios de estos nombres y marcas y Pentair Water Pool and Spa, Inc. Dichos nombres y marcas pueden ser marcas comerciales o marcas registradas de esos terceros. Como mejoramos continuamente nuestros productos y servicios, Pentair se reserva el derecho de modificar las especificaciones sin previo aviso. Pentair es un empleador que ofrece igualdad de oportunidades.

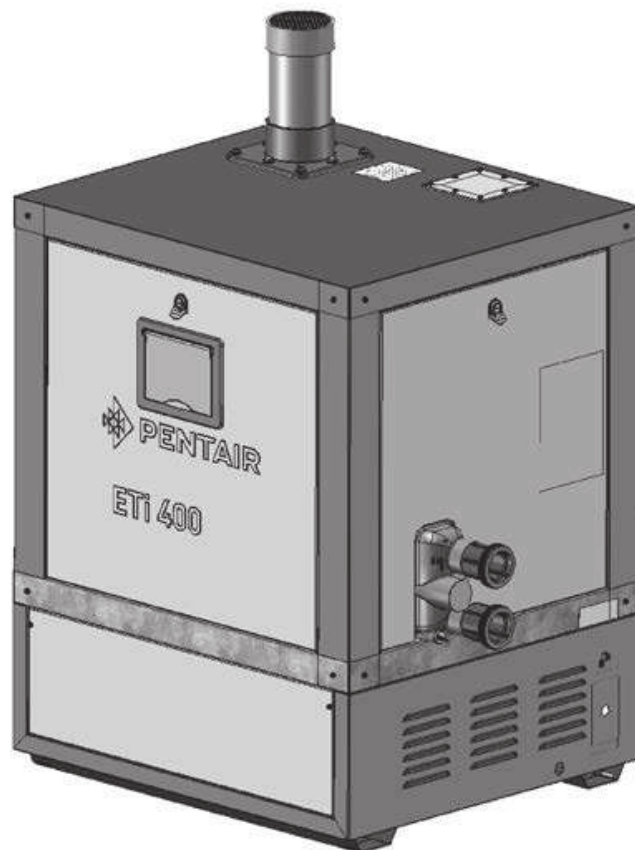
© 2017 Pentair Water Pool and Spa, Inc. Todos los derechos reservados. Este documento está sujeto a cambios sin previo aviso.



P/N 476110 REV. A 9/2017



TROUSSE DE REMPLACEMENT DU VENTILATEUR
DE COMBUSTION DU CHAUFFE-PISCINE À
RENDEMENT ÉLEVÉ ETi® 400
N° de pièce 476000



GUIDE D'INSTALLATION

IMPORTANT!
MISE EN GARDE! POUR VOTRE SÉCURITÉ : CE PRODUIT DOIT
ÊTRE INSTALLÉ ET ENTRETENU PAR UN PERSONNEL AUTORISÉ
QUALIFIÉ EN INSTALLATION DE PISCINES ET DE SPAS

Service à la clientèle et soutien technique

Si vous avez des questions relatives à la commande de pièces de rechange et de produits pour piscines Pentair Water Pool and Spa et Sta-Rite[®], veuillez nous joindre :

Téléphone : 800 831-7133

Télécopieur : 800 284-4151

8 h à 19 h 30, heure de l'Est/heure du Pacifique

Visitez le www.pentairpool.com

Sommaire

MISES EN GARDE ET CONSIGNE DE SÉCURITÉ IMPORTANTES.....	3-4
Aperçu de la trousse de remplacement du ventilateur de combustion	5
Outils nécessaires	5
Mises en garde relatives au raccordement du gaz	6
Renseignements relatifs à la trousse du ventilateur de combustion.....	7
Emplacement	7
Fonction	7
Remplacement du ventilateur de combustion.....	8-10
Séquence des opérations	11
Spécifications.....	11
Liste des pièces.....	11

MISE EN GARDE ET CONSIGNES ET SÉCURITÉ IMPORTANTES

DANGER

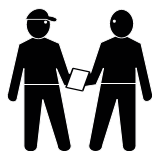
UNE INSTALLATION ET UNE UTILISATION INAPPROPRIÉE DE CE PRODUIT RISQUENT DE CAUSER DE GRAVES BLESSURES CORPORELLES OU LA MORT.

DANGER

LES INSTALLATEURS, LES EXPLOITANTS ET LES PROPRIÉTAIRES DE PISCINES DOIVENT LIRE CES MISES EN GARDE ET TOUTES LES INSTRUCTIONS AVANT D'UTILISER LE CHAUFFE-PISCINE À RENDEMENT ÉLEVÉ® 400.

MISE EN GARDE

La plupart des codes des États, des provinces et des municipalités réglementent la construction, l'installation et l'exploitation de piscines et de spas publics ainsi que la construction de piscines et spas résidentiels. Il est important de se conformer à ces codes qui, en général, réglementent directement l'installation et l'utilisation de ce produit. Pour de plus amples renseignements, consultez le code du bâtiment et le code sanitaire locaux.



REMARQUE IMPORTANTE – À l'intention de l'installateur : Ce guide d'installation (le « Guide ») contient des renseignements importants sur l'installation, le fonctionnement et l'utilisation sécuritaire de ce produit. Ce guide doit être remis au propriétaire ou à l'utilisateur de ce chauffe-piscine.

MISE EN GARDE

Avant d'installer ce produit, lisez et suivez toutes les instructions et les mises en garde figurant dans le Guide. Le non-respect des mises en garde et des instructions pourrait entraîner des blessures graves, la mort ou des dommages matériels. Veuillez composer le 800 831-7133 pour obtenir gratuitement d'autres exemplaires de ces instructions. Veuillez consulter le www.pentairpool.com pour en savoir plus sur ces produits.

AU CANADA : LA CONVERSION DOIT ÊTRE RÉALISÉE EN CONFORMITÉ AVEC LES EXIGENCES DES AUTORITÉS PROVINCIALES COMPÉTENTES ET EN CONFORMITÉ AVEC LES EXIGENCES DE LA NORME D'INSTALLATION DU GAZ NATUREL ET DU PROPANE CSA B149.1.

MISE EN GARDE

Le non-respect des instructions pourrait entraîner un incendie ou une explosion causant des blessures graves ou des dommages à la propriété. Cette trousse de conversion doit être installée par une agence de service qualifiée, en conformité avec les instructions du fabricant et tous les codes et règlements en vigueur selon l'autorité compétente. Les renseignements compris dans ces instructions doivent être respectés pour réduire le risque d'incendie ou d'explosion ou pour éviter les dommages matériels, les blessures corporelles ou la mort. L'agence de service qualifiée est responsable de l'installation adéquate de cette trousse. L'installation n'est pas considérée comme adéquate et complète tant que le fonctionnement de l'appareil converti n'a pas été vérifié selon les spécifications comprises dans les instructions du fabricant fournies avec la trousse.

LISEZ ET SUIVEZ TOUTES LES INSTRUCTIONS DE CE MANUEL

MISE EN GARDE ET CONSIGNES ET SÉCURITÉ IMPORTANTES

MISE EN GARDE

Une mauvaise utilisation du combustible ou une conversion inadéquate du combustible constitue un risque d'incendie ou d'explosion. Ne tentez pas de faire fonctionner un chauffe-piscine installé pour le gaz naturel avec du propane ou vice-versa. Seuls les techniciens de service qualifiés peuvent tenter la conversion du chauffe-piscine d'un combustible à un autre. Ne tentez pas de modifier la puissance absorbée normale ou le type de gaz en changeant l'orifice. S'il faut convertir l'appareil à un autre type de gaz, veuillez consulter votre détaillant Pentair.

Une grave défaillance du brûleur pourrait entraîner la mort. Tout ajout, changement ou conversion requis pour que l'appareil réponde de manière satisfaisante aux besoins de son utilisation doit être effectué par un détaillant Pentair ou une autre agence de service qualifiée utilisant les pièces spécifiées et approuvées par l'usine.

MISE EN GARDE

Une unité convertie au propane installée dans une fosse ou un autre endroit plus bas peut entraîner un risque d'explosion. Le propane est plus lourd que l'air. N'installez pas le chauffe-piscine au propane dans une fosse ou un autre endroit où le gaz pourrait s'accumuler. Veuillez consulter les responsables locaux du code du bâtiment pour déterminer les exigences d'installation du chauffe-piscine en fonction des réservoirs de stockage du propane et de l'équipement de remplissage. Au Canada, l'installation doit satisfaire aux exigences de la norme nationale pour le stockage, la manutention et la distribution du gaz de pétrole liquéfié CAN/CSA B149.1 (version la plus récente). Aux États-Unis, l'installation doit satisfaire aux exigences de la norme nationale pour le stockage, la manutention et la distribution du gaz de pétrole liquéfié ANSI/NFPA 58 (version la plus récente). Veuillez consulter les codes locaux et les autorités responsables de la protection contre les incendies pour connaître les restrictions d'installation précises. Au Massachusetts, les chauffe-piscine alimentés au propane (GPL) doivent être installés dans un garage sur ordonnance du commissaire aux incendies du Massachusetts. Pour en savoir plus, veuillez joindre le bureau du commissaire aux incendies.

AU CANADA : « CETTE TROUSSE DOIT ÊTRE INSTALLÉE CONFORMÉMENT AUX EXIGENCES DES AUTORITÉS PROVINCIALES COMPÉTENTES ET CONFORMÉMENT AUX EXIGENCES DES NORMES D'INSTALLATION DU GAZ NATUREL CAN-B149.1 ET CAN-B149.2. »

Aperçu de la trousse de remplacement du ventilateur de combustion

Avant de procéder au remplacement du ventilateur de combustion de chauffe-piscine à rendement élevé ETi® 400. Vérifiez que vous avez tous les outils listés ci-dessous.

Outils nécessaires (non compris dans la trousse)

Il vous faudra les outils et les instruments suivants pour procéder à la conversion :

- 1 clé ou tournevis à douille de 5/16 po
- 1 mèche T20 pour tournevis à six lobes internes
- 1 pince multiprise
- 1 clé à molette d'une capacité de 2 1/2 po
- 1 clé à molette d'une capacité de 1 1/2 po
- 1 tournevis à lame plate
- 1 raccord cannelé NPT 1/8 po
- 1 scellant de conduite approuvé pour une utilisation avec le gaz naturel ou le propane
- 1 manomètre avec plage de 14 po de colonne d'eau (CE) (Manomètre à haute pression)
- 1 manomètre différentiel ou inclinomètre (manomètre incliné) capable de lire à une résolution de 0,05 po CE (Manomètre à basse pression)
- 1 analyseur de gaz de combustion lisant le CO2 (facultatif)

Remarque : Ne tentez pas de procéder à la conversion du chauffe-piscine sans tous les outils énumérés ci-dessus.



Raccordement du gaz

Le non-respect des instructions pourrait entraîner un incendie ou une explosion causant des blessures graves ou des dommages matériels. Cette trousse de remplacement du ventilateur de combustion doit être installée par un distributeur Sta-Rite® ou Pentair Water Pool and Spa (« Pentair ») ou une autre agence qualifiée, en conformité avec les instructions du fabricant et tous les codes et règlements en vigueur selon l'autorité compétente. L'agence qualifiée qui effectue ce travail assume la responsabilité de ce remplacement. Le terme « agence qualifiée » désigne toute personne, toute firme ou toute société qui, soit en personne, soit par l'entremise d'un représentant, est mandatée pour, et responsable de (a) l'installation ou le remplacement de conduites de gaz ou (b) brancher, installer, réparer ou entretenir l'équipement, et qui possède l'expérience nécessaire à faire ce travail, connaît les précautions à prendre et se conforme à toutes les exigences des autorités compétentes.



INSTRUCTIONS POUR VÉRIFIER LA PRESSON DU GAZ À L'AIDE DE LA SOUPE DE RÉGULATION DU GAZ COMBINÉ.

Risque d'incendie et d'explosion. Une installation, un ajustement, une modification ou un entretien inadéquats de la soupape de régulation du gaz combiné peut causer un incendie ou une explosion entraînant la mort, des blessures ou des dommages matériels.

Ces instructions sont uniquement destinées aux techniciens de service qualifiés!

Ne tentez pas cette procédure à moins d'être formé et certifié en entretien et réparation d'appareils alimentés au gaz!

Ne tentez pas cette procédure si vous n'êtes pas sûr de suivre adéquatement ces instructions!

Cet appareil est équipé d'une soupape de régulation de gaz non traditionnelle qui a été réglée en usine avec une pression d'admission de -0,2 po CE. L'installation ou l'entretien doit être effectué par un technicien de service qualifié ou le fournisseur de gaz. Si cette soupape est remplacée, elle doit l'être par une soupape identique.

REMARQUE : Avant de convertir le chauffe-piscine, effectuez les raccordements nécessaires au nouvel approvisionnement en gaz en suivant les instructions contenues dans le guide d'installation et d'utilisation du chauffe-piscine à rendement élevé ETi® 400. Vérifiez les pressions réglées maximales et minimales de gaz depuis l'approvisionnement en gaz. Ces pressions doivent se situer dans la plage précisée sur la plaque de conversion.

Renseignements relatifs à la trousse du ventilateur de combustion

Le système de brûleur du chauffe-piscine à rendement élevé ETi[®] 400 comprend le ventilateur de combustion, l'orifice d'air, la soupape de régulation des gaz combinés, l'orifice de gaz, une électrode DSI et le stabilisateur de flamme.

Emplacement

Le chauffe-piscine est pourvu de deux ventilateurs de combustion. Les ventilateurs sont fixés à chacun des échangeurs de chaleur. Voir Figure 1.

Fonction

Le ventilateur de combustion aspire l'air et le gaz et force l'entrée du mélange air/gaz dans le brûleur. L'orifice d'air, fixé au robinet d'entrée du ventilateur, mesure le débit d'air de combustion envoyé au brûleur. Le robinet d'entrée du ventilateur est sous pression négative, et le robinet de sortie du ventilateur est sous pression positive. Pour vérifier le fonctionnement du ventilateur de combustion, débrancher les conduites flexibles en plastique de l'interrupteur de pression et les brancher à un manomètre différentiel. Fermer le gaz et appuyer sur POOL ON. Au démarrage du ventilateur, vérifier la pression différentielle. Au besoin, augmenter le réglage de température pour démarrer le ventilateur. La pression différentielle devrait être celle affichée au Tableau 1.

Tableau 1 : Pression différentielle

Modèle	Pression différentielle nominale (en CE)
ETi 400	2,0

Remplacement du ventilateur de combustion

⚠ MISE EN GARDE

Danger d'incendie et d'explosion. La taille de l'orifice d'air correspond exactement au mélange air/gaz nécessaire au brûleur. Ne pas modifier ni remplacer l'orifice d'air par un orifice d'une taille différente.

⚠ MISE EN GARDE

Danger d'incendie et d'explosion. Le ventilateur de combustion gère un mélange combustible air/gaz. Lors de l'entretien de cette pièce, vérifiez tous les joints pour vous assurer qu'ils sont bien serrés et que le ventilateur n'a pas de fuite.

1. Couper l'alimentation électrique du chauffe-piscine et éteindre la pompe; fermer la soupape d'approvisionnement en gaz manuelle du chauffe-piscine.
2. Retirer les panneaux latéraux du chauffe-piscine pour accéder à la soupape de régulation du gaz et au ventilateur de combustion. Insérer un tournevis à lame plate dans le panneau, pousser et le tourner pour déverrouiller le panneau. Voir Figure 1.
3. Retirer le panneau pour l'entretien de la tuyauterie d'eau. Insérer le tournevis à lame plate dans le panneau, pousser et tourner pour déverrouiller le panneau.
4. Placer l'INTERRUPTEUR À BASCULE du gaz en position FERMÉE.
5. Sur le connecteur, débrancher les fils le reliant au ventilateur.
6. Retirer et jeter les conduites en plastique se trouvant entre le ventilateur, l'interrupteur de débit d'air et la soupape de gaz.
7. À l'aide de la pince multiprise, desserrer la conduite de gaz aux deux raccords adjacents aux ventilateurs près de la soupape de gaz. Voir Figure 2.
8. Dévisser complètement les raccords pour retirer la conduite de gaz. La conduite de gaz peut maintenant être retirée pour permettre le dégagement nécessaire au retrait du ventilateur. Prendre garde de ne pas desserrer les deux orifices de gaz. Voir Figure 6.
9. Débrancher les fils reliant l'interrupteur de débit d'air et le ventilateur à remplacer.

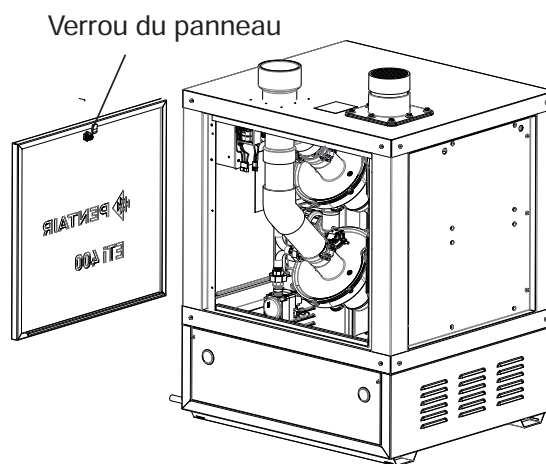


Figure 1.



Figure 2.

Remplacement du ventilateur de combustion (suite)

10. Retirer les quatre écrous hexagonaux 5/16-18 de l'adaptateur du ventilateur et retirer le ventilateur en le faisant glisser à travers les tiges de l'adaptateur du ventilateur. Pour sceller correctement, ils doivent être installés verticalement, pas à un angle. Voir Figure 3.
11. Retirer et jeter le joint du ventilateur et dévisser les quatre vis de sécurité Torx de 10 mm.
12. Remplacer l'adaptateur du ventilateur, installer le nouvel adaptateur de ventilateur et le fixer à l'échangeur de chaleur à l'aide des quatre vis Torx de 10 mm.
13. Installer le nouveau joint du ventilateur sur l'adaptateur du ventilateur. S'assurer que le joint est correctement placé sur l'adaptateur du ventilateur. Voir Figure 4.
14. Retirer la section courte de tuyau NPT de $\frac{3}{4}$ po du ventilateur et l'installer sur le nouveau ventilateur à l'aide de pâte à tuyau.
15. Retirer l'orifice d'air du ventilateur à remplacer, puis l'installer sur le nouveau ventilateur et le fixer à l'aide des vis 10-16.
16. Détacher l'interrupteur de débit d'air du ventilateur à remplacer, puis l'installer sur le nouveau ventilateur et le fixer à l'aide de vis 6-32.
17. Installer le ventilateur en alignant les trous de la bride avec les tiges de l'adaptateur de ventilateur. Fixer le ventilateur à l'aide des quatre écrous hexagonaux 5/16-18.
18. Rebrancher les fils menant à l'interrupteur de débit d'air et les fils du ventilateur au connecteur.
19. Installer les nouvelles conduites en plastique (comprises dans la trousse) à l'interrupteur de débit d'air, au ventilateur et à la soupape de gaz. Voir Figure 5.

Passer à la page suivante.



Figure 3.



Figure 4.



Figure 5.

Remplacement du ventilateur de combustion (suite)

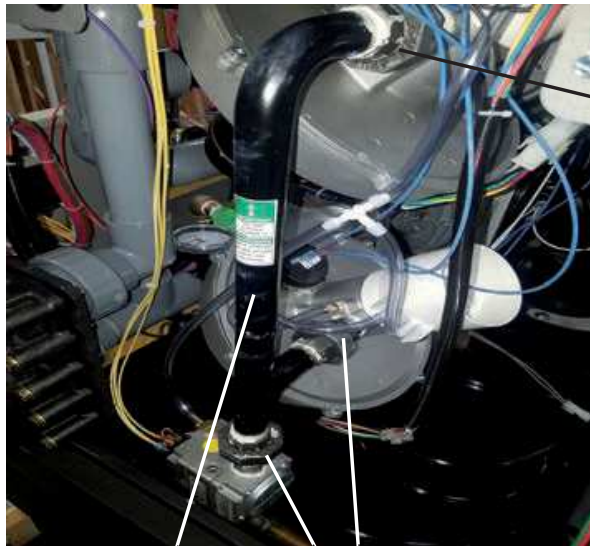


Figure 6.

Train de gaz Union



Figure 7.

Union Orifice

20. Assurez-vous que les ORIFICES DE GAZ sont positionnés verticalement, pas à un angle, puis remettez le train de gaz aux soufflantes et à la soupape à gaz. À l'aide des verrous de canal ou d'une clé à molette, serrez les raccords à la main pour assurer une bonne étanchéité, voir Figure 6 et Figure 7.
21. Effectuer un essai d'étanchéité du ventilateur en le faisant fonctionner pendant que le gaz est coupé, en le mettant sous tension et en augmentant le réglage de température sur le clavier de la membrane. Utiliser une solution d'eau savonneuse pour effectuer l'essai d'étanchéité à la bride de sortie des ventilateurs.
Remarque : Lorsque vous recherchez la présence de fuites, augmentez la pression à la sortie du ventilateur en bloquant le tuyau d'évacuation ou l'évent avec votre main.
22. Ouvrir la soupape d'approvisionnement en gaz manuelle. Effectuer un essai d'étanchéité de la canalisation de gaz à l'aide d'une solution d'eau savonneuse. S'assurer qu'il n'y a aucune fuite de gaz.
24. Faire fonctionner le chauffe-piscine pendant au moins 10 minutes. Après au moins 10 minutes de fonctionnement continu, insérer l'analyseur de combustion dans l'échappement et mesurer le taux de CO₂. La plage de CO₂ recommandée pour la combustion au gaz naturel et au propane est indiquée dans le Tableau 2. Les lectures doivent se situer de préférence dans le milieu de la plage.
25. Replacer le panneau pour l'entretien de la tuyauterie d'eau et le panneau de service latéral. Voir Figure 1 à la page 8.

Tableau 2. Plages CO₂ et O₂ des gaz de combustion

Combustible	Taux de CO ₂ recommandé (sec)
GN	7,80 % – 9,2 %
Propane	9,6 % – 10,2 %

Spécifications

Pression d'entrée :	
Min/Max :	4 po à 12 po CE
Pression d'admission :	
Référence au robinet d'entrée du souffleur :	-0,2 po CE
Entrée de gaz requise (BTU/h) :	399,990 BTU/h
Modèle Chauffe-piscine à rendement élevé ETi® 400	

Liste des pièces de la trousse du ventilateur de combustion, n° de pièce 476000

Description	Qté	N° de produit
Raccord droit 1/8 NPT x 0,25 po	1	33202-0659
Rondelle de blocage pour écrou hexagonal 5/16-18	4	35406-4323
Canalisation en PVC 0,25 po diam. int. x 0,375 po diam. ext. x 7,5 po	6	475845
Canalisation en PVC 0,25 po diam. int. x 0,375 po diam. ext. x 15,5 po	1	475847
Joint d'adaptateur de ventilateur	1	475360
Hi-E de l'adaptateur de ventilateur	1	475343
Moteur à l'intérieur du ventilateur	1	472285
Raccord en T de 1/4 po	1	475850
Guide d'installation, ventilateur de combustion du chauffe-piscine	1	476110



1620 HAWKINS AVE., SANFORD, NC 27330 • 919 566-8000

10951 WEST LOS ANGELES AVE., MOORPARK, CA 93021 • 805 553-5000

WWW.PENTAIRPOOL.COM

Toutes les marques de commerce et tous les logos Pentair appartiennent à Pentair ou à l'une de ses filiales dans le monde. ETi® et Sta-Rite® sont des marques déposées de Pentair Water Pool and Spa, Inc. ou de ses filiales aux États-Unis et dans d'autres pays. À moins d'avis explicite, les noms et marques de tierces parties susceptibles d'être utilisés dans ce document ne sont pas destinés à indiquer une affiliation entre les propriétaires de ces noms et marques et Pentair Water Pool and Spa, Inc. ni un appui de ceux-ci. Ces noms et marques peuvent être les marques de commerce ou les marques déposées de ces tierces parties. Dans la mesure où Pentair améliore constamment ses produits et services, la société se réserve le droit d'en modifier les spécifications sans préavis. Pentair est un employeur offrant l'égalité professionnelle.

© 2017 Pentair Water Pool and Spa, Inc. Tous droits réservés. Ce document peut faire l'objet de modifications sans préavis.



N° de pièce 476110 RÉV. A 11/2017