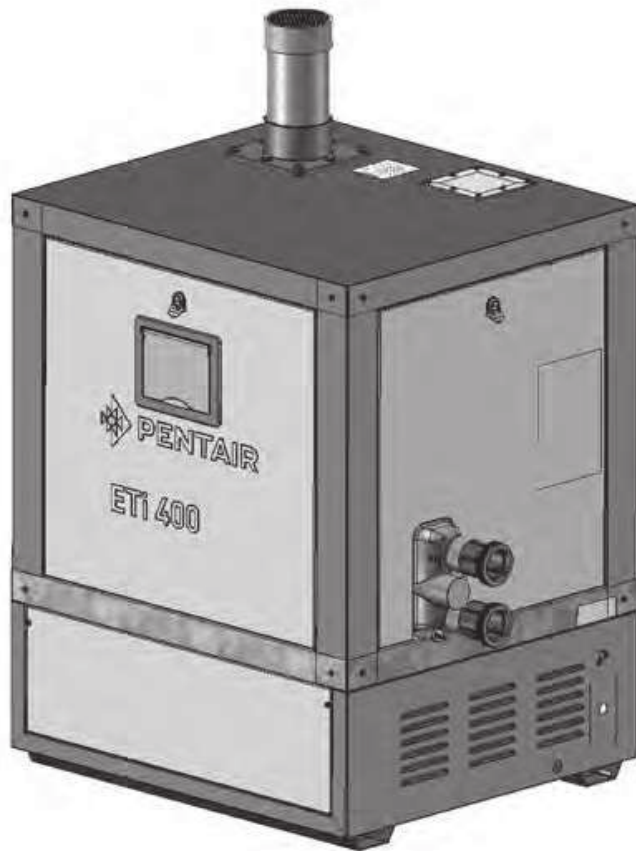




ETi<sup>®</sup> 400 HIGH EFFICIENCY HEATER  
GAS CONTROL VALVE  
REPLACEMENT KIT  
P/N 476001



INSTALLATION GUIDE

**IMPORTANT!**  
**WARNING! FOR YOUR SAFETY: THIS PRODUCT MUST BE INSTALLED  
AND SERVICED BY AUTHORIZED SERVICE PERSONNEL  
QUALIFIED IN POOL/SPA INSTALLATION**

## Customer Service and Technical Support

If you have questions about ordering Pentair Water Pool and Spa and Sta-Rite® replacement parts, and pool products, please call:

Phone: (800) 831-7133

Fax: (800) 284-4151

8 AM to 7:30 PM Eastern Time/Pacific Time  
visit [www.pentairpool.com](http://www.pentairpool.com)

### Contents

<b>IMPORTANT WARNING AND SAFETY INSTRUCTIONS.....</b>	<b>3-4</b>
Gas Control Valve Replacement Kit Overview .....	5
Required Tools .....	5
<b>Gas Connection Warnings .....</b>	<b>5-6</b>
Gas Control Valve Replacement Kit Information .....	6
Function .....	7
Servicing Procedure.....	7
Gas Pressure Setting Verification.....	8
Specifications.....	9
Parts List.....	9

## IMPORTANT WARNING AND SAFETY INSTRUCTIONS



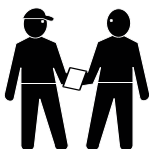
**SERIOUS BODILY INJURY OR DEATH CAN RESULT IF THIS PRODUCT IS NOT INSTALLED AND USED CORRECTLY.**



**INSTALLERS, POOL OPERATORS AND POOL OWNERS MUST READ THESE WARNINGS AND ALL INSTRUCTIONS BEFORE USING THE ETi® 400 HIGH EFFICIENCY HEATER.**



Most states and local codes regulate the construction, installation, and operation of public pools and spas, and the construction of residential pools and spas. It is important to comply with these codes, many of which directly regulate the installation and use of this product. Consult your local building and health codes for more information.



**IMPORTANT NOTICE - Attention Installer:** This Installation Guide ("Guide") contains important information about the installation, operation and safe use of this product. This Guide should be given to the owner and/or operator of this heater.



Before installing this product, read and follow all warning notices and instructions in this Guide. Failure to follow warnings and instructions can result in severe injury, death, or property damage. Call (800) 831-7133 for additional free copies of these instructions. Please refer to [www.pentairpool.com](http://www.pentairpool.com) for more information related to this products.

**IN CANADA: THE CONVERSION SHALL BE CARRIED OUT IN ACCORDANCE WITH THE REQUIREMENTS OF THE PROVINCIAL AUTHORITIES HAVING JURISDICTION AND IN ACCORDANCE WITH THE REQUIREMENTS OF THE NATURAL GAS AND PROPANE INSTALLATION CODE CSA B149.1**



**Failure to follow instructions could result in fire or explosion with serious injury or property damage. This conversion kit shall be installed by a qualified service agency in accordance with the manufacturer's instructions and all applicable codes and requirements of the authority having jurisdiction. The information in these instructions must be followed to minimize the risk of fire or explosion or to prevent property damage, personal injury, or death. The qualified service agency is responsible for the proper installation of this kit. The installation is not proper and complete until the operation of the converted appliance is checked as specified in the manufacturer's instructions supplied with the kit.**

**READ AND FOLLOW ALL INSTRUCTIONS IN THIS MANUAL**

## IMPORTANT WARNING AND SAFETY INSTRUCTIONS

### WARNING

Risk of fire or explosion from incorrect fuel use or faulty fuel conversion. Do not try to run a heater set up for natural gas on propane gas or vice versa. Only qualified service technicians should attempt to convert heater from one fuel to the other. Do not attempt to alter the rated input or type of gas by changing the orifice. If it is necessary to convert to a different type of gas, consult your Pentair dealer.

Serious malfunction of the burner can occur which may result in loss of life. Any additions, changes, or conversions required in order for the appliance to satisfactorily meet the application needs must be made by a Pentair dealer or other qualified agency using factory specified and approved parts.

### WARNING

Risk of explosion if a unit converted to propane gas is installed in a pit or other low spot. Propane is heavier than air. Do not install the heater using propane in pits or other locations where gas might collect. Consult your local building code officials to determine installation requirements of heater relative to propane storage tanks and filling equipment. In Canada, Installation must meet the requirements of the Standard for the Storage and Handling of Liquid Petroleum Gases, CAN/CSA B149.1 (latest edition). In the U.S. installation must meet the requirements of the Standard for the Storage and Handling of Liquefied Petroleum Gases, ANSI/NFPA 58 (latest edition). Consult local codes and fire protection authorities about specific installation restrictions. Propane (LPG) fired heaters must not be installed in garages in Massachusetts, by order of the Massachusetts State Fire Marshall. For more information, call the Fire Marshall's office.

**IN CANADA: "THIS KIT SHALL BE CARRIED OUT IN ACCORDANCE WITH THE REQUIREMENTS OF THE PROVINCIAL AUTHORITIES HAVING JURISDICTION AND IN ACCORDANCE WITH THE REQUIREMENTS OF THE CAN-B149.1 AND CAN-B149.2 INSTALLATION CODE."**

## Gas Control Valve Replacement Kit Overview

Before proceeding with the ETi® 400 High Efficiency Heater Gas Control Valve replacement kit, please verify that you have all the items listed as shown below in the Required Tools.

### Required Tools (not included in kit)

You will need the following tools and instruments for this conversion:

- 1 5/16" socket wrench or nut driver
- 1 T20 bit Torx screw driver
- 1 Channel locks
- 1 Adjustable wrench, 2-1/2" Capacity
- 1 Adjustable wrench, 1-1/2" Capacity
- 1 Flat Blade Screwdriver
- 1 1/8" NPT barbed fittings
- 1 Pipe Sealant approved for use with natural gas or Propane
- 1 Pressure gauge or manometer with range to 14" W.C. (High Pressure Gauge)
- 1 Differential pressure gauge or slope gauge (inclined manometer) capable of reading to a resolution of 0.05" W.C. (Low Pressure Gauge)
- 1 Flue-gas analyzer reading CO2 (optional)

*Note: Do not attempt the heater conversion without all the listed tools shown above.*



### Gas Connections

Failure to follow instructions could result in fire or explosion with serious injury or property damage. This combustion blower replacement kit is to be installed by a Sta-Rite® and/or Pentair Water Pool and Spa ("Pentair") distributor or other qualified agency in accordance with the manufacturer's instructions and all codes and requirements of the authority having jurisdiction. The qualified agency performing this work assumes responsibility for this replacement. The term "qualified agency" means any individual, firm, corporation or company which either in person or through a representative is engaged in and is responsible for (a) the installation or replacement of gas piping or (b) the connection, installation, repair, or servicing of equipment, who is experienced in such work, familiar with all precautions required, and has complied with all the requirements of the authority having jurisdiction.

**⚠ WARNING**

**INSTRUCTIONS FOR CHECKING THE GAS PRESSURE THROUGH THE COMBINATION GAS CONTROL VALVE.**

Risk of fire and explosion. Improper installation, adjustment, alteration, service, or maintenance of the Combination Gas Control Valve can lead to fire or explosion, causing loss of life, personal injury, or property damage.

*These instructions are for the use of qualified service technicians only!*

*Do not attempt this procedure unless you have been trained and certified in the care and repair of gas-fired appliances!*

*Do not attempt this procedure if you are not confident about following instructions!*

This appliance is equipped with an unconventional gas control valve that is factory set with a manifold pressure of  $-.2$ " wc. Installation or service must be performed by a qualified service technician or the gas supplier. If this control valve is replaced, it must be replaced with an identical control.

**NOTICE:** Before converting the heater, make the necessary gas connections to the new gas supply, following the instructions in the ETi® 400 High Efficiency Heater Installation and User's Guide. Verify the maximum and minimum regulated gas pressures from the gas

## Gas Control Valve Replacement Kit Information

### Function

The Combination Gas Control Valve incorporates dual gas shut-off valves and a negative-pressure regulator. The negative-pressure regulator controls the outlet pressure to slightly below the reference pressure supplied to the regulator diaphragm by the vent line. For proper operation, the regulated pressure at the outlet manifold of the valve must be  $0.2$ " wc below the reference pressure, and the gas "vent" tap must be connected to the Mixer inlet.

**⚠ WARNING**

**Risk of fire or explosion. Improper installation, adjustment, alteration, service, or maintenance of the Combination Gas Control Valve can lead to fire or explosion, causing loss of life, personal injury, or property damage.**

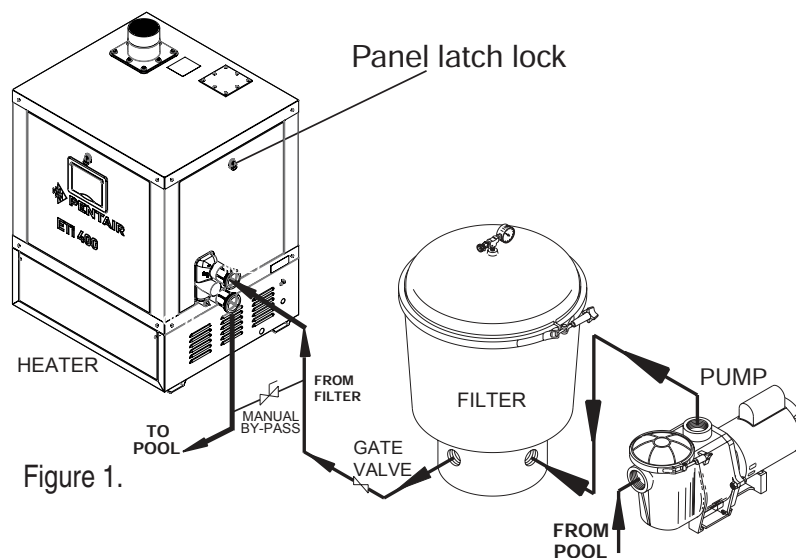
**⚠ WARNING**

**Risk of fire or explosion if Combination Gas Control Valve is incorrectly adjusted. If it is necessary to adjust the gas valve, this must be done only by a qualified service agency.**

## Servicing Procedure

The Gas Control Valve is located at the bottom of the gas train and can be accessed by the manifold service panel. See figure 1.

1. **Turn off the electrical supply to the heater.**
2. **Turn off the pump.**
3. Turn OFF the manual gas supply valve to the heater.
4. Remove the water manifold service panel. Using a flat-blade screwdriver, insert press and turn the screwdriver to unlock the panel.



5. Disconnect and discard the plastic tubing from the gas control valve "VENT" port.
6. Disconnect and discard the tubing between the blower, and the air flow switch and install the new plastic tubing (provided in the kit).
7. Unscrew completely the union nearest to the gas valve on both sides
8. Remove the gas piping from the old valve and install it in the new valve. Use thread sealant approved for natural gas and Lp gas.
9. Replace the Gas Control Valve by screwing the union on both sides of the gas valve.
10. Connect the plastic tubing to the **Vent Port** at the Gas Control Valve.
11. Turn on the manual gas supply valve to the heater.
12. Turn on the pump and the electric power to the heater.
13. Test for gas leaks with a soapy water solution.

Table 2. Flue Gas CO<sub>2</sub> and O<sub>2</sub> Ranges

Fuel	Recommended CO <sub>2</sub> (Dry Basis)
NG	7.80% – 9.2%
Propane	9.6% – 10.2%

## Gas Pressure Setting Verification

After completing the Servicing Procedure (see page 7) proceed with the following steps to verify the gas supply pressure.


### **WARNING**

**Fire and explosion hazard. The Air Orifice is sized specifically for the air/gas mixture required by the burner. Do not modify the Air Orifice or replace it with an orifice of a different size.**

### **WARNING**

**Fire and explosion hazard. The Combustion Blower handles a combustible air/gas mixture. When servicing this part, check all seals for tightness to ensure that the Blower is not leaking.**

1. Turn off the electrical supply to the heater.
2. Turn off the pump and shut off the manual gas supply valve to the heater.
3. Use a 3/16" hex key to remove the plug from the PRESSURE TAP port on the outlet side of the Combination Gas Control Valve.
4. Install a 1/8" NPT barbed fitting into the 'PRESSURE TAP' port on the outlet side of the gas valve. Use a flexible tube to connect it to the low side of a differential pressure gauge or a slope gauge. This gauge will measure low (outlet) pressure, which requires a high degree of resolution.
5. Turn on the manual gas shutoff valve.
6. Before operating the heater, leak-test all of the gas connections with soapy water.

** WARNING! Risk of fire or explosion. Never test for gas leaks with an open flame.**

7. Turn on electricity to heater and start the pump.
8. Turn on the heater.  
**NOTICE: If you are using a slope gauge, close the shutoff valve of the gauge to avoid pulling the liquid out of the gauge when the blower starts.**
9. After the burner lights, verify that the supply pressure is within the range 4" to 12" wc. If the supply pressure drops below this range when the burner ignites, the gas line capacity may be inadequate, and should be increased.
10. With the burner still on, disconnect the plastic hose between the gas valve and "VENT" tap and the blower mixer inlet. The pressure gauge should then read **.2" ±.1" wc**. (Since the pressure tap is connected to the low side of the gauge, the pressure is actually negative.) If the pressure is outside the range listed, call the factory at **1-800-831-7133**. Do not try to adjust the pressure yourself.



## Gas Pressure Setting Verification (Continued)

11. If the pressure is within the limits given in step 10, the gas pressure is at the optimum level. Reconnect the plastic hose between the GAS VALVE VENT TOP and the BLOWER MIXER INLET.
12. Remove the 1/8" NPT barbed fitting from the PRESSURE TAP port on the outlet side of the gas valve and reinstall the plug. Be sure it is tightened properly. Turn OFF the heater and manual gas supply valve.
13. Run the heater continuously for at least 10 minutes, then insert a combustion analyzer probe into the exhaust and measure the CO<sub>2</sub> level. The recommended CO<sub>2</sub> ranges for natural gas and propane are listed in Table 2, on page 8. Preferably, the readings should be in the midrange.
14. Replace the water manifold service panel. See Figure 1 on page 7.

## Specifications

<b>Inlet Pressure:</b>	
Min./Max:	4" / 12" WC
<b>Manifold Pressure:</b>	
Reference to Blower inlet tap:	-0.2" WC
<b>Required Gas Input (BTU/Hr):</b>	399.990 BTU/Hr
Model:	ETi® 400 High Efficiency Heater

## Parts List for Gas Control Valve Kit P/N 476001

Description	Qty.	P/N
Gas Valve Kit	1	467001
Elbow taped 1/8 mpt x 1/4 ID	1	33202-0656T
Tubing PVC 0.25 ID x 0.375 in OD x 7.5 in	1	475845
Tubing PVC 0.25 ID x 0.375 in OD x 15.5 in	1	475847
Gas Control Valve	1	42001-0051
Label Kit MT	1	472585
1/4 in Tee Fitting	1	475850
Installation Guide, Heater Gas Control Valve	1	476111

Blank Page

Blank Page

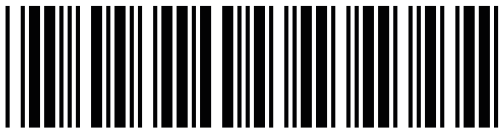


1620 HAWKINS AVE., SANFORD, NC 27330 • (919) 566-8000  
10951 WEST LOS ANGELES AVE., MOORPARK, CA 93021 • (805) 553-5000

[WWW.PENTAIRPOOL.COM](http://WWW.PENTAIRPOOL.COM)

All Pentair trademarks and logos are owned by Pentair or one of its global affiliates. ETi® and Sta-Rite® are registered trademarks of Pentair Water Pool and Spa, Inc. and/or its affiliated companies in the United States and/ or other countries. Unless expressly noted, names and brands of third parties that may be used in this document are not used to indicate an affiliation or endorsement between the owners of these names and brands and Pentair Water Pool and Spa, Inc. Those names and brands may be the trademarks or registered trademarks of those third parties. Because we are continuously improving our products and services, Pentair reserves the right to change specifications without prior notice. Pentair is an equal opportunity employer.

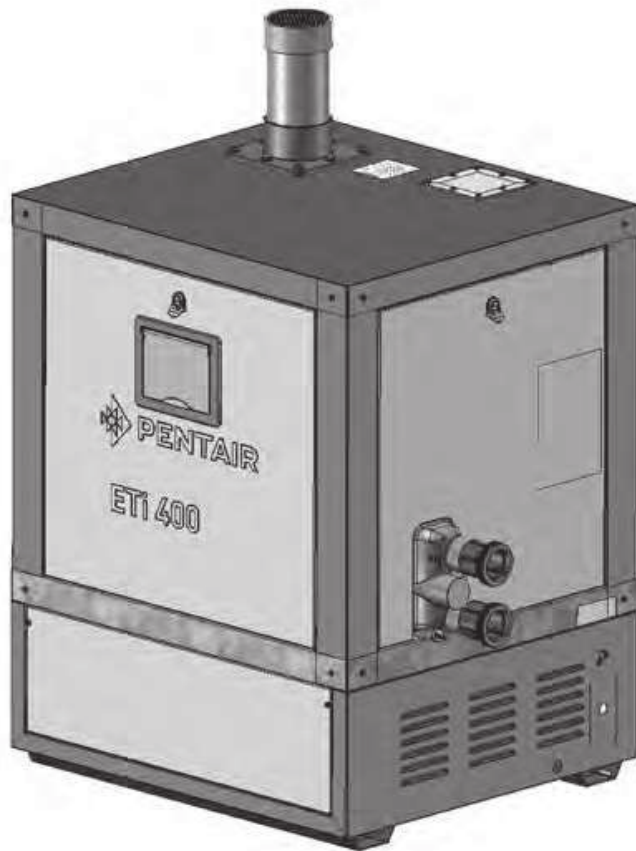
© 2017 Pentair Water Pool and Spa, Inc. All rights reserved. This document is subject to change without notice.



P/N 476111 REV. A 11/2017



CALENTADOR DE ALTA EFICIENCIA ETi® 400  
KIT DE REEMPLAZO DE LA VÁLVULA DE  
CONTROL DE GAS  
N/P 476001



GUÍA DE INSTALACIÓN

**¡IMPORTANTE!**  
**¡ADVERTENCIA! PARA SU SEGURIDAD: ESTE PRODUCTO DEBE SER  
INSTALADO Y MANTENIDO POR PERSONAL DE SERVICIO AUTORIZADO,  
CON CALIFICACIÓN PARA INSTALACIONES DE PISCINAS/SPA**

## Servicio al cliente y soporte técnico

Si tiene alguna pregunta sobre cómo ordenar partes de repuesto de Pentair Water Pool and Spa y Sta-Rite®, y productos para piscinas, llame al:

Teléfono: (800) 831-7133

Fax: (800) 284-4151

De 8 a. m. a 7:30 p. m. hora del Este/Pacífico  
visite [www.pentairpool.com](http://www.pentairpool.com)

### Índice

<b>ADVERTENCIA IMPORTANTE E INSTRUCCIONES DE SEGURIDAD.....</b>	<b>3-4</b>
Descripción del kit de reemplazo de la válvula de control de gas .....	5
Herramientas necesarias .....	5
<b>Advertencias sobre la conexión de gas .....</b>	<b>5-6</b>
Información sobre el kit de reemplazo de la válvula de control de gas.....	6
Funcionamiento .....	7
Procedimiento de servicio de mantenimiento.....	7
Verificación de la configuración de la presión de gas .....	8
Especificaciones .....	9
Lista de partes .....	9

## ADVERTENCIA IMPORTANTE E INSTRUCCIONES DE SEGURIDAD



**PELIGRO**

**NO INSTALAR NI USAR CORRECTAMENTE ESTE PRODUCTO PUEDE OCASIONAR LESIONES FÍSICAS GRAVES O LA MUERTE.**



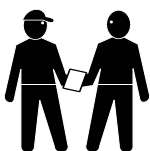
**PELIGRO**

**LOS INSTALADORES, OPERADORES Y PROPIETARIOS DE PISCINAS DEBEN LEER ESTAS ADVERTENCIAS Y TODAS LAS INSTRUCCIONES ANTES DE USAR EL CALENTADOR DE ALTA EFICIENCIA ETi® 400**



**ADVERTENCIA**

La mayoría de los códigos estatales y locales regulan la construcción, la instalación y el funcionamiento de piscinas y spas públicos, y la construcción de piscinas y spas residenciales. Es importante respetar dichos códigos, muchos de los cuales regulan en forma directa la instalación y el uso de este producto. Consulte sus códigos locales de construcción y salud para obtener más información.



**AVISO IMPORTANTE - Para el instalador:** Esta Guía de instalación ("Guía") contiene información importante acerca de la instalación, el funcionamiento y el uso seguro de este producto. Esta Guía se debe entregar al propietario y/o al operador de este calentador.



**ADVERTENCIA**

Antes de instalar este producto, lea y tenga en cuenta todos los avisos de advertencia y las instrucciones que se incluyen en esta Guía. No respetar las advertencias o no seguir las instrucciones puede provocar lesiones graves, la muerte o daños a la propiedad. Llame al (800) 831-7133 para obtener copias adicionales gratis de estas instrucciones.

**EN CANADÁ: LA CONVERSIÓN SE DEBE REALIZAR CONFORME A LOS REQUISITOS DE LAS AUTORIDADES PROVINCIALES QUE TIENEN JURISDICCIÓN Y A LOS PREVISTOS EN EL CÓDIGO DE INSTALACIÓN DE GAS NATURAL Y PROPANO CSA B149.1**



**ADVERTENCIA**

**No seguir las instrucciones podría desencadenar incendios o explosiones que podrían ocasionar lesiones o daños graves a la propiedad. Este kit de conversión debe ser instalado por una agencia de servicio calificada, conforme a las instrucciones del fabricante, a todos los códigos correspondientes y a los requisitos de la autoridad competente. Se deben seguir estas instrucciones a fin de reducir al mínimo el riesgo de incendio o explosión o para prevenir daños a la propiedad, lesiones personales o la muerte. La agencia de servicio calificada será responsable de la adecuada instalación de este kit. La instalación no se considerará adecuada ni completa hasta tanto se haya verificado el funcionamiento del dispositivo convertido, según lo especificado en las instrucciones del fabricante suministradas con el kit.**

**LEA Y SIGA TODAS LAS INSTRUCCIONES DE ESTE MANUAL**

**ADVERTENCIA IMPORTANTE E INSTRUCCIONES DE SEGURIDAD**** ADVERTENCIA**

El uso del combustible incorrecto o una conversión de combustible defectuosa suponen riesgo de incendio o explosión. No intente encender un calentador configurado para gas natural con gas propano o viceversa. Solo los técnicos de servicio calificados pueden convertir el calentador de un combustible al otro. No intente modificar el orificio para alterar la entrada configurada o el tipo de gas. Si es necesario hacer la conversión a otro tipo de gas, consulte con su distribuidor de Pentair.

Podría producirse una avería grave en el calentador que podría resultar mortal. Cualquier agregado, cambio o conversión necesarios para que el dispositivo cubra sus necesidades de aplicación de manera satisfactoria debe estar a cargo de un distribuidor de Pentair u otra agencia calificada, utilizando partes especificadas y aprobadas por el fabricante.

** ADVERTENCIA**

Existe un riesgo de explosión si una unidad convertida a gas propano se instala en un pozo u otro lugar bajo. El propano es más pesado que el aire. No instale un calentador de gas propano en un pozo o en otro lugar donde el gas podría acumularse.

Consulte con los funcionarios responsables de los códigos de construcción locales, para determinar los requisitos de instalación de un calentador con respecto a tanques de almacenamiento y equipos de surtido de gas propano. En Canadá, la instalación debe satisfacer los requisitos de la Norma para el Almacenamiento y Manejo de Gases de Petróleo Líquido, CAN/CSA B149.1 (la edición más actual). En los Estados Unidos, la instalación debe satisfacer los requisitos de la Norma para el Almacenamiento y Manejo de Gases de Petróleo Líquido, ANSI/NFPA 58 (la edición más actual). Consulte los códigos locales y a las autoridades de protección contra incendios acerca de las restricciones específicas de instalación.

No se deben instalar calentadores alimentados con propano (GPL) en garajes en Massachussetts, en virtud de lo dispuesto por el Inspector General de Bomberos de Massachussetts. Para obtener más información, llame a la oficina del Inspector General de Bomberos.

**EN CANADÁ: "ESTE KIT SE DEBE INSTALAR CONFORME A LOS REQUISITOS DE LAS AUTORIDADES PROVINCIALES QUE TIENEN JURISDICCIÓN Y A LOS PREVISTOS EN EL CÓDIGO DE INSTALACIÓN CAN-B149.1 Y CAN-B149.2".**



## Descripción del kit de reemplazo de la válvula de control de gas

Antes de proceder a instalar el kit de reemplazo de la válvula de control de gas del calentador de alta eficiencia ETi® 400. Verifique que tenga todas las herramientas enumeradas a continuación.

### Herramientas necesarias (no incluidas en el kit)

Necesitará las siguientes herramientas e instrumentos para esta conversión:

- 1 llave o llave de tuerca de 5/16"
- 1 destornillador Torx de broca T20
- 1 pinza pico de loro
- 1 llave ajustable, con capacidad para 2-1/2"
- 1 llave ajustable, con capacidad para 1-1/2"
- 1 destornillador plano
- 1 adaptador con rosca hembra NPT de 1/8"
- 1 sellador de tuberías aprobado para usar con gas natural o propano
- 1 manómetro o medidor de presión con alcances de hasta 14" W.C. (Medidor de alta presión)
- 1 medidor de presión diferencial o manómetro de tubo inclinado capaz de leer a una resolución de 0.05" W.C. (Medidor de baja presión)
- 1 analizador de conductos de gases de combustión que lea CO2 (opcional)

*Nota: no intente hacer la conversión del calentador sin todas las herramientas enumeradas, que se muestran arriba.*



### Conexiones de gas

No seguir las instrucciones podría desencadenar incendios o explosiones que podrían ocasionar lesiones o daños graves a la propiedad. Este kit de reemplazo del soplador a combustión debe ser instalado por un distribuidor de Sta-Rite® o de Pentair Water Pool and Spa ("Pentair") o de otra agencia calificada, conforme a las instrucciones del fabricante y todos los códigos correspondientes y requisitos de la autoridad competente. La agencia calificada que realice la tarea asume la responsabilidad por este reemplazo. El término "agencia calificada" hace referencia a cualquier persona, firma, corporación o compañía, que personalmente o a través de un representante, realiza y es responsable de (a) la instalación o el reemplazo de la tubería de gas o de (b) la conexión, la instalación, la reparación o el servicio de mantenimiento de los equipos, que tenga experiencia en ese tipo de labor, está familiarizada con todas las precauciones relacionadas y cumple con todos los requisitos establecidos por la autoridad competente.

 **ADVERTENCIA**
**INSTRUCCIONES PARA VERIFICAR LA PRESIÓN DE GAS MEDIANTE LA VÁLVULA DE COMBINACIÓN DE CONTROL DE GAS.**

Riesgo de incendio y explosión. Una instalación, un ajuste, una alteración, un servicio o un mantenimiento inadecuados de la válvula de combinación de control de gas pueden desencadenar incendios o explosiones, que pueden ocasionar la muerte, lesiones personales y daños a la propiedad.

*Estas instrucciones son exclusivamente para uso de técnicos de servicio calificados.*

*No intente realizar este procedimiento si no tiene el entrenamiento y la certificación para el mantenimiento y la reparación de dispositivos con alimentación de gas.*

*No intente realizar este procedimiento si no se siente seguro respecto a estas indicaciones.*

Este dispositivo está equipado con una válvula de control de gas no convencional, configurada de fábrica con una presión en el colector de  $-0.2$ " wc. La instalación o el mantenimiento deben estar a cargo de un técnico de servicio o gasista calificados. Si se reemplaza esta válvula de control, se debe reemplazar por un control idéntico.

**AVISO:** Antes de iniciar la conversión del calentador, haga las conexiones de gas necesarias del nuevo suministro de gas, siguiendo las instrucciones que figuran en la Guía de instalación y del usuario del calentador de alta eficiencia ETi® 400. Verifique las presiones de gas máxima y mínima reglamentarias del suministro de gas. Estas presiones deben estar dentro del rango que figura en la placa de conversión.

## Información sobre el kit de reemplazo de la válvula de control de gas

### Funcionamiento

La válvula de combinación de control de gas incorpora dos válvulas de corte de gas y un regulador de presión negativa. El regulador de presión negativa controla la presión de salida para mantenerla apenas por debajo de la presión de referencia, que llega al diafragma del regulador a través de la línea de ventilación. Para lograr un funcionamiento óptimo, la presión regulada en el colector de salida de la válvula debe mantenerse en  $0.2$ " wc por debajo de la presión de referencia, y la llave de "ventilación" de gas debe estar conectada a la entrada del mezclador.

 **ADVERTENCIA**

**Riesgo de incendio o explosión. Una instalación, un ajuste, una alteración, un mantenimiento o un servicio inadecuados en la válvula de combinación de control de gas puede desencadenar incendios o explosiones, que pueden ocasionar la muerte, lesiones personales y daños a la propiedad.**

 **ADVERTENCIA**

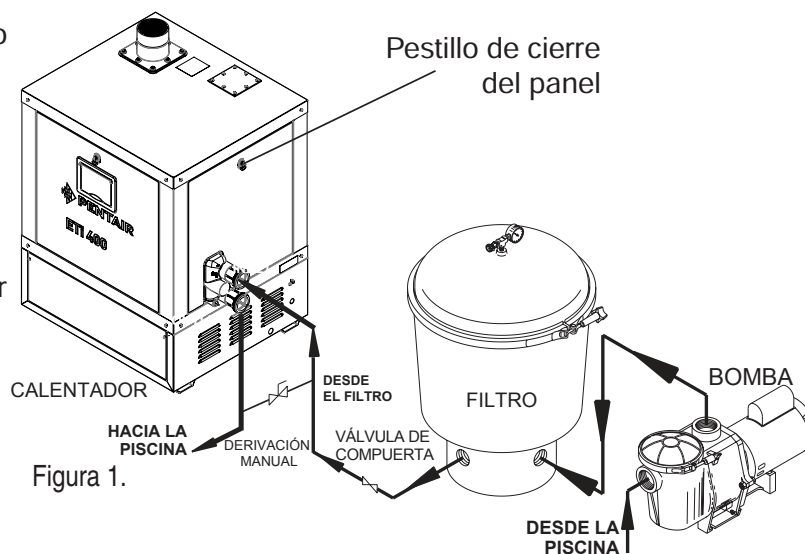
**Riesgo de incendio o explosión si la válvula de combinación de control de gas está mal ajustada. Si es necesario ajustar la válvula de gas, el trabajo únicamente lo debe hacer una agencia de servicio calificada.**

## Procedimiento de servicio de mantenimiento

La válvula de control de gas se encuentra en la parte inferior del tren de gas, y se puede acceder a ella a través del panel de servicio del colector. Vea la figura 1.

Para realizar el servicio de mantenimiento de la válvula de control de gas:

1. **Corte el suministro eléctrico del calentador.**
2. **Apague la bomba.**
3. Apague la válvula manual de suministro de gas que va al calentador.
4. Retire el panel de servicio de mantenimiento del colector de agua. Con un destornillador plano, haga presión y gire para destrabar el panel.



5. Desconecte y descarte los tubos de plástico del puerto de "VENTILACIÓN" de la válvula de control de gas.
6. Desconecte y descarte los tubos entre el soplador y el interruptor de flujo de aire, e instale los tubos de plástico nuevos (incluidos en el kit).
7. Retire los tornillos de la unión más próxima a la válvula de gas en ambos lados.
8. Retire el tubo de gas de la válvula vieja e instálelo en la válvula nueva. Use un sellador de roscas aprobado para gas natural y gas LP.
9. Reemplace la válvula de control de gas. Para ello, destornille la unión en ambos lados de la válvula de gas.
10. Conecte el tubo de plástico del **puerto de ventilación** en la válvula de control de gas.
11. Abra la válvula manual de suministro de gas que va al calentador.
12. Encienda la bomba y conecte el suministro de energía eléctrica que va al calentador.
13. Revise que no haya fugas de gas con una solución de agua jabonosa.

Tabla 2. Niveles de CO<sub>2</sub> y O<sub>2</sub> en gases de combustión

Combustible	CO <sub>2</sub> recomendado (base seca)
NG	7.80% a 9.2%
Propano	9.6 % – 10.2 %

## Verificación de la configuración de la presión de gas

Después de completar el procedimiento de servicio de mantenimiento (vea la página 7), continúe con los siguientes pasos para verificar la presión del suministro de gas:

**⚠ ADVERTENCIA**

**Peligro de incendio y explosión. El orificio de escape de aire tiene el tamaño adecuado para la mezcla de aire/gas que exige el quemador. No modifique el orificio de escape de aire ni lo reemplace con un orificio de otro tamaño.**

**⚠ ADVERTENCIA**

**Peligro de incendio y explosión. El soplador a combustión trabaja con una mezcla combustible de aire y gas. Al realizar el servicio de mantenimiento de esta parte, revise todos los sellos para que el soplador no tenga fugas.**

1. **Corte el suministro eléctrico del calentador.**
2. **Apague la bomba y cierre la válvula manual de suministro de gas que va al calentador.**
3. Use una llave hexagonal de 3/16" para quitar el tapón del puerto de la LLAVE DE PRESIÓN, en el lateral de salida de la válvula de combinación de control de gas.
4. Instale un adaptador con rosca hembra NPT de 1/8" en el puerto de la LLAVE DE PRESIÓN, en el lateral de salida de la válvula de gas. Use un tubo flexible para conectarlo al lado inferior de un medidor de presión diferencial o un inclinómetro. Este medidor mide la presión baja (de salida), que exige un alto grado de resolución.
5. Abra la válvula de cierre manual del suministro de gas.
6. Antes de poner en funcionamiento el calentador, compruebe que no haya fugas y revise todas las conexiones de gas con agua jabonosa.
 

**⚠ ¡ADVERTENCIA! Riesgo de incendio o explosión. Nunca busque fugas de gas con una llama abierta.**
7. Encienda el suministro de electricidad del calentador y la bomba.
8. Encienda el calentador.
 

**AVISO: Si usa un inclinómetro, cierre la válvula de cierre del medidor para evitar extraer líquido cuando se encienda el soplador.**
9. Una vez que se encienda el quemador, verifique que la presión de suministro esté dentro del rango de 4" a 12" wc. Si la presión de suministro cae por debajo de este nivel cuando se enciende el piloto, es posible que la capacidad de la línea de gas no sea la correcta y se deba aumentar.
10. Con el quemador aún encendido, desconecte la manguera de plástico entre la válvula de gas y la llave de "VENTILACIÓN" y la entrada del mezclador del soplador. El manómetro debería mostrar niveles de **.2" ±.1" wc**. (Como la llave de presión está conectada a la parte inferior del medidor, la presión es en realidad negativa). Si la presión está fuera del rango indicado, comuníquese con la fábrica al **1-800-831-7133**. No intente ajustar usted mismo la presión.

## Verificación de la configuración de la presión de gas (continuación)

11. Si la presión está dentro de los límites establecidos en el paso 10, la presión de gas está en un nivel óptimo. Vuelva a conectar la manguera de plástico entre la VENTILACIÓN DE LA VÁLVULA DE GAS TOP y la ENTRADA DEL MEZCLADOR DE BLOWER.
12. Retire el adaptador con rosca hembra NPT de 1/8" del puerto de la LLAVE DE PRESIÓN, en el lateral de salida de la válvula de gas y vuelva a colocar el tapón. Ajuste correctamente. APAGUE el calentador y cierre la válvula manual de suministro de gas.
13. Haga funcionar el calentador durante al menos 10 minutos seguidos, luego inserte un tubo de análisis de combustión en el escape y mida el nivel de CO<sub>2</sub>. Los niveles de CO<sub>2</sub> recomendados para gas natural y propano se indican en la Tabla 2, en la página 8. Es preferible que las lecturas estén dentro de un rango medio.
14. Reemplace el panel de servicio de mantenimiento del colector de agua. Vea la figura 1 en la página 7.

## Especificaciones

<b>Presión de entrada:</b>	
Min./Máx.:	4" / 12" WC
<b>Presión del colector:</b>	
Referencia para la llave de entrada del soplador:	-0,2" WC
<b>Entrada de gas obligatoria (BTU/H):</b>	399.990 BTU/H
Modelo: Calentador de alta eficiencia ETi® 400	

## Lista de partes del kit de la válvula de control de gas N/P 476001

Descripción	Cant.	N/P
Kit de válvula de gas	1	467001
Codo roscado 1/8 mpt x 1/4 ID	1	33202-0656T
Tuberías PVC 0.25 DI x 0.375 in DE x 7.5 in	1	475845
Tuberías PVC 0.25 DI x 0.375 in DE x 15.5 in	1	475847
Válvula de control de gas	1	42001-0051
Kit de etiquetas MT	1	472585
Adaptador en T de 1/4 in	1	475850
Guía de instalación, válvula de control de gas del calentador	1	476111

Página en blanco

Página en blanco



1620 HAWKINS AVE., SANFORD, NC 27330 • (919) 566-8000

10951 WEST LOS ANGELES AVE., MOORPARK, CA 93021 • (805) 553-5000

WWW.PENTAIRPOOL.COM

Todas las marcas comerciales y los logotipos de Pentair son propiedad de Pentair o de alguna de sus filiales internacionales. ETi® y Sta-Rite® son marcas comerciales registradas de Pentair Water Pool and Spa, Inc. y/o de sus filiales en los Estados Unidos y/o en otros países. A menos que se indique expresamente, los nombres y las marcas de terceros que puedan usarse en este documento no se usan para mostrar una asociación o un respaldo entre los propietarios de estos nombres y marcas y Pentair Water Pool and Spa, Inc. Dichos nombres y marcas pueden ser marcas comerciales o marcas registradas de esos terceros. Como mejoramos continuamente nuestros productos y servicios, Pentair se reserva el derecho de modificar las especificaciones sin previo aviso. Pentair es un empleador que ofrece igualdad de oportunidades.

© 2017 Pentair Water Pool and Spa, Inc. Todos los derechos reservados. Este documento está sujeto a cambios sin previo aviso.

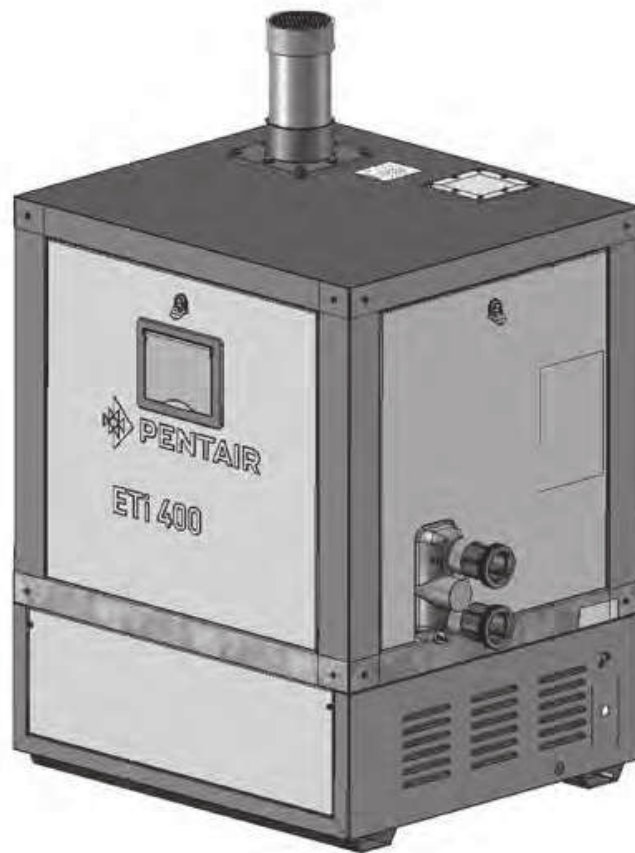


P/N 476111 REV. A 11/2017





TROUSSE DE REMPLACEMENT DE LA SOUPAPE  
DE RÉGULATION DU GAZ DU CHAUFFE-PISCINE  
À RENDEMENT ÉLEVÉ ETi® 400  
N° de pièce 476001



GUIDE D'INSTALLATION

**IMPORTANT!**  
**MISE EN GARDE! POUR VOTRE SÉCURITÉ : CE PRODUIT DOIT ÊTRE**  
**INSTALLÉ ET ENTRETENU PAR UN PERSONNEL AUTORISÉ**  
**QUALIFIÉ EN INSTALLATION DE PISCINES ET DE SPAS**

## Service à la clientèle et soutien technique

Si vous avez des questions relatives à la commande de pièces de rechange et de produits pour piscines Pentair Water Pool and Spa et Sta-Rite<sup>®</sup>, veuillez nous joindre :

Téléphone : 800 831-7133

Télécopieur : 800 284-4151

8 h à 19 h 30, heure de l'Est/heure du Pacifique  
visitez le [www.pentairpool.com](http://www.pentairpool.com)

### Sommaire

<b>MISE EN GARDE ET CONSIGNES ET SÉCURITÉ IMPORTANTES.....</b>	<b>3-4</b>
Aperçu de la trousse de remplacement de la soupape de régulation du gaz .....	5
Outils nécessaires .....	5
<b>Mises en garde relatives au raccordement du gaz .....</b>	<b>5-6</b>
Renseignements relatifs à la trousse de remplacement de la soupape de régulation du gaz .....	6
Fonction .....	7
Procédure d'entretien.....	7
Vérification du réglage de la pression de gaz .....	8
Spécifications.....	9
Liste des pièces.....	9

## MISE EN GARDE ET CONSIGNES ET SÉCURITÉ IMPORTANTES



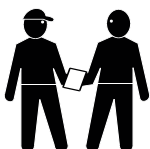
**UNE INSTALLATION ET UNE UTILISATION INAPPROPRIÉE DU PRODUIT POURRAIENT CAUSER DE GRAVES BLESSURES CORPORELLES OU LA MORT.**



**LES INSTALLATEURS, LES EXPLOITANTS ET LES PROPRIÉTAIRES DE PISCINES DOIVENT LIRE CES MISES EN GARDE ET TOUTES LES INSTRUCTIONS AVANT D'UTILISER LE CHAUFFE-PISCINE À RENDEMENT ÉLEVÉ ETi® 400.**



La plupart des codes des États, des provinces et des municipalités réglementent la construction, l'installation et l'exploitation de piscines et de spas publics ainsi que la construction de piscines et spas résidentiels. Il est important de se conformer à ces codes qui, en général, réglementent directement l'installation et l'utilisation de ce produit. Pour de plus amples renseignements, consultez le code du bâtiment et le code sanitaire locaux.



**REMARQUE IMPORTANTE – À l'intention de l'installateur :** Ce guide d'installation (le « Guide ») contient des renseignements importants sur l'installation, le fonctionnement et l'utilisation sécuritaire de ce produit. Ce guide doit être remis au propriétaire ou à l'utilisateur de ce chauffe-piscine.



Avant d'installer ce produit, lisez et suivez toutes les instructions et les mises en garde figurant dans le Guide. Le non-respect des mises en garde et des instructions pourrait entraîner des blessures graves, la mort ou des dommages matériels. Veuillez composer le 800 831-7133 pour obtenir gratuitement d'autres exemplaires de ces instructions. Veuillez consulter le [www.pentairpool.com](http://www.pentairpool.com) pour en savoir plus sur ces produits.

**AU CANADA : LA CONVERSION DOIT ÊTRE RÉALISÉE EN CONFORMITÉ AVEC LES EXIGENCES DES AUTORITÉS PROVINCIALES COMPÉTENTES ET LES EXIGENCES DE LA NORME D'INSTALLATION DU GAZ NATUREL ET DU PROPANE CSA B149.1**



**Le non-respect des instructions pourrait entraîner un incendie ou une explosion causant des blessures graves ou des dommages matériels. Cette trousse de conversion doit être installée par une agence de service qualifiée, en conformité avec les instructions du fabricant et tous les codes et les exigences applicables de l'autorité compétente. Les renseignements compris dans ces instructions doivent être respectés pour réduire le risque d'incendie ou d'explosion ou pour éviter les dommages matériels, les blessures corporelles ou la mort. L'agence de service qualifiée est responsable de l'installation adéquate de cette trousse. L'installation n'est pas considérée comme adéquate et complète tant que le fonctionnement de l'appareil converti n'a pas été vérifié selon les spécifications comprises dans les instructions du fabricant fournies avec la trousse.**

LISEZ ET SUIVEZ TOUTES LES INSTRUCTIONS DE CE MANUEL

## MISE EN GARDE ET CONSIGNES ET SÉCURITÉ IMPORTANTES

### MISE EN GARDE

Une mauvaise utilisation du combustible ou une conversion inadéquate du combustible constitue un risque d'incendie ou d'explosion. Ne tentez pas de faire fonctionner un chauffe-piscine installé pour le gaz naturel avec du propane ou vice-versa. Seuls les techniciens de service qualifiés peuvent tenter la conversion du chauffe-piscine d'un combustible à un autre. Ne tentez pas de modifier la puissance absorbée normale ou le type de gaz en changeant l'orifice. S'il faut convertir l'appareil à un autre type de gaz, veuillez consulter votre détaillant Pentair.

Une grave défaillance du brûleur pourrait entraîner la mort. Tout ajout, changement ou conversion requis pour que l'appareil réponde de manière satisfaisante aux besoins de son utilisation doit être effectué par un détaillant Pentair ou une autre agence de service qualifiée utilisant les pièces spécifiées et approuvées par l'usine.

### MISE EN GARDE

Une unité convertie au propane installée dans une fosse ou un autre endroit plus bas peut entraîner un risque d'explosion. Le propane est plus lourd que l'air. N'installez pas le chauffe-piscine au propane dans une fosse ou un autre endroit où le gaz pourrait s'accumuler. Veuillez consulter les responsables locaux du code du bâtiment pour déterminer les exigences d'installation du chauffe-piscine en fonction des réservoirs de stockage du propane et de l'équipement de remplissage. Au Canada, l'installation doit satisfaire aux exigences de la norme nationale pour le stockage, la manutention et la distribution du gaz de pétrole liquéfié CAN/CSA B149.1 (version la plus récente). Aux États-Unis, l'installation doit satisfaire aux exigences de la norme nationale pour le stockage, la manutention et la distribution du gaz de pétrole liquéfié ANSI/NFPA 58 (version la plus récente). Veuillez consulter les codes locaux et les autorités responsables de la protection contre les incendies pour connaître les restrictions d'installation précises.

Au Massachusetts, les chauffe-piscine alimentés au propane (GPL) doivent être installés dans un garage sur ordonnance du commissaire aux incendies du Massachusetts. Pour en savoir plus, veuillez joindre le bureau du commissaire aux incendies.

**AU CANADA : « CETTE TROUSSE DOIT ÊTRE INSTALLÉE CONFORMÉMENT AUX EXIGENCES DES AUTORITÉS PROVINCIALES COMPÉTENTES ET CONFORMÉMENT AUX EXIGENCES DES NORMES D'INSTALLATION DU GAZ NATUREL CAN-B149.1 ET CAN-B149.2. »**

## Aperçu de la trousse de remplacement de la soupape de régulation du gaz

Avant de procéder au remplacement de la soupape de régulation du gaz du chauffe-piscine à rendement élevé ETi® 400. Vérifiez que vous avez tous les outils listés ci-dessous.

### Outils nécessaires (non compris dans la trousse)

Il vous faudra les outils et les instruments suivants pour procéder à la conversion :

- 1 clé ou tournevis à douille de 5/16 po
- 1 mèche T20 pour tournevis à six lobes internes
- 1 pince multiprise
- 1 clé à molette d'une capacité de 2 1/2 po
- 1 clé à molette d'une capacité de 1 1/2 po
- 1 tournevis à lame plate
- 1 raccord cannelé NPT 1/8 po
- 1 scellant de conduite approuvé pour une utilisation avec le gaz naturel ou le propane
- 1 manomètre avec plage de 14 po de colonne d'eau (CE) (Manomètre à haute pression)
- 1 manomètre différentiel ou inclinomètre (manomètre incliné) capable de lire à une résolution de 0,05 po CE (Manomètre à basse pression)
- 1 analyseur de gaz de combustion lisant le CO2 (facultatif)

*Remarque : Ne tentez pas de procéder à la conversion du chauffe-piscine sans tous les outils énumérés ci-dessus.*



### Raccordement du gaz

Le non-respect des instructions pourrait entraîner un incendie ou une explosion causant des blessures graves ou des dommages matériels. Cette trousse de remplacement de la soupape de régulation du gaz doit être installée par un distributeur Sta-Rite® ou Pentair Water Pool and Spa (« Pentair ») ou une autre agence qualifiée, en conformité avec les instructions du fabricant et tous les codes et règlements en vigueur selon l'autorité compétente. L'agence qualifiée qui effectue ce travail assume la responsabilité de ce remplacement. Le terme « agence qualifiée » désigne toute personne, toute firme ou toute société qui, soit en personne, ou par l'entremise d'un représentant, est mandatée pour, et responsable de (a) l'installation ou le remplacement de conduites de gaz ou (b) brancher, installer, réparer ou entretenir l'équipement, et qui possède l'expérience nécessaire à faire ce travail, connaît les précautions à prendre et se conforme à toutes les exigences des autorités compétentes.



### **INSTRUCTIONS POUR VÉRIFIER LA PRESSION DU GAZ À L'AIDE DE LA SOUPAPE DE RÉGULATION DU GAZ COMBINÉ.**

Risque d'incendie et d'explosion. Une installation, un ajustement, une modification ou un entretien inadéquats de la soupape de régulation du gaz combiné peut causer un incendie ou une explosion entraînant la mort, des blessures ou des dommages matériels.

*Ces instructions sont uniquement destinées aux techniciens de service qualifiés!*

*Ne tentez pas cette procédure à moins d'être formé et certifié en entretien et réparation d'appareils alimentés au gaz!*

*Ne tentez pas cette procédure si vous n'êtes pas sûr de suivre adéquatement ces instructions!*

Cet appareil est équipé d'une soupape de régulation de gaz non traditionnelle qui a été réglée en usine avec une pression d'admission de -0,2 po CE. L'installation ou l'entretien doit être effectué par un technicien de service qualifié ou le fournisseur de gaz. Si cette soupape est remplacée, elle doit l'être par une soupape identique.

**REMARQUE :** Avant de convertir le chauffe-piscine, effectuez les raccordements nécessaires au nouvel approvisionnement en gaz en suivant les instructions contenues dans le guide d'installation et d'utilisation du chauffe-piscine à rendement élevé ETi® 400. Vérifiez les pressions régulées maximales et minimales de gaz depuis l'approvisionnement en gaz. Ces pressions doivent se situer dans la plage précisée sur la plaque de conversion.

## **Renseignements relatifs au remplacement de la soupape de régulation du gaz**

### **Fonction**

La soupape de régulation du gaz combiné incorpore les deux soupapes de fermeture du gaz et un régulateur de pression négative. Le régulateur de pression négative maintient la pression de sortie légèrement en deçà de la pression de référence fournie au diaphragme du régulateur par la conduite d'évent. Pour un fonctionnement adéquat, la pression régulée au collecteur de sortie de la soupape doit être de 0,2 pouce d'eau sous la pression de référence, et le couvercle de « ventilation » du gaz doit être branché à l'entrée du mélangeur.



**Risque d'incendie ou d'explosion. Une installation, un ajustement, une modification ou un entretien inadéquats de la soupape de régulation du gaz combiné peut causer un incendie ou une explosion entraînant la mort, des blessures ou des dommages matériels.**



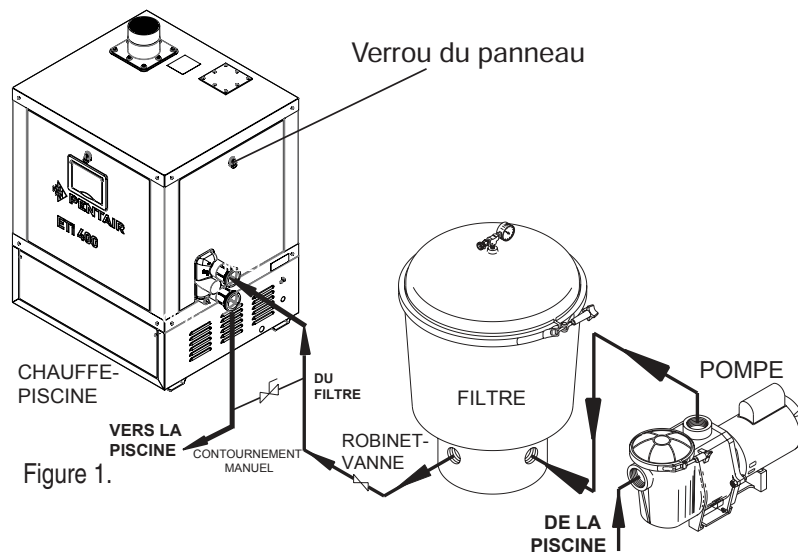
**Risque d'incendie ou d'explosion lorsque la soupape de régulation du gaz combiné est incorrectement ajustée. L'ajustement de la soupape de gaz doit être effectué uniquement par une agence de service qualifiée.**

## Procédure d'entretien

La soupape de régulation du gaz est située dans le bas de la conduite de gaz et son accès se fait par le panneau de service du collecteur. Voir Figure 1.

Entretien de la soupape de régulation du gaz :

- 1 **Couper l'alimentation électrique du chauffe-piscine.**
2. **Éteindre la pompe.**
3. FERMER la soupape d'approvisionnement en gaz manuelle du chauffe-piscine.
4. Retirer le panneau pour l'entretien de la tuyauterie d'eau. Insérer le tournevis à lame plate dans le panneau, pousser et tourner pour déverrouiller le panneau.



5. Débrancher et jeter les conduites en plastique reliées au port de « VENTILATION » de la soupape de régulation du gaz.
6. Retirer et jeter les conduites en plastique se trouvant entre le ventilateur et l'interrupteur de débit d'air, puis installer les nouvelles conduites en plastique (comprises dans la trousse).
7. Dévisser complètement le raccord le plus près de la soupape de gaz sur les deux côtés.
8. Retirer la canalisation de gaz de l'ancienne soupape et l'installer dans la nouvelle soupape. Utiliser une pâte d'étanchéité approuvée pour le gaz naturel et le propane.
9. Rebrancher la soupape de régulation du gaz en vissant le raccord des deux côtés de la soupape de gaz.
10. Débrancher les conduites en plastique reliées au **port de ventilation** de la soupape de régulation du gaz.
11. Ouvrir la soupape d'approvisionnement en gaz du chauffe-piscine.
12. Allumer la pompe ainsi que l'alimentation électrique du chauffe-piscine.
13. Effectuer un essai d'étanchéité à l'aide d'une solution d'eau savonneuse.

Tableau 2. Plages CO<sub>2</sub> et O<sub>2</sub> des gaz de combustion

Combustible	Niveau de CO <sub>2</sub> recommandé (sec)
GN	7,80 % – 9,2 %
Propane	9,6 % – 10,2 %

## Vérification du réglage de la pression de gaz

Après avoir effectué la procédure d'entretien (voir page 7), passez aux étapes suivantes pour vérifier la pression de l'alimentation en gaz.



**Danger d'incendie et d'explosion. La taille de l'orifice d'air correspond exactement au mélange air/gaz nécessaire au brûleur. Ne pas modifier ni remplacer l'orifice d'air par un orifice d'une taille différente.**



**Danger d'incendie et d'explosion. Le ventilateur de combustion gère un mélange combustible air/gaz. Lors de l'entretien de cette pièce, vérifiez tous les joints pour vous assurer qu'ils sont bien serrés et que le ventilateur n'a pas de fuite.**

1. Couper l'alimentation électrique du chauffe-piscine.
2. Éteindre la pompe et fermer la soupape d'alimentation en gaz manuelle du chauffe-piscine.
3. Utiliser une clé hexagonale de 3/16 po pour retirer le bouchon de la PRISE SOUS PRESSION sur le côté de sortie de la soupape de régulation du gaz combiné.
4. Installer un raccord cannelé NPT de 1/8 po dans le port de la PRISE SOUS PRESSION sur le côté de sortie de la soupape de gaz. Utilisez un tuyau flexible pour le relier au côté inférieur du manomètre différentiel ou de l'inclinomètre. Ce manomètre mesure la basse pression (sortie) et requiert un niveau de résolution élevé.
5. Ouvrir la soupape de fermeture du gaz manuelle.
6. Effectuer un essai d'étanchéité des raccords de gaz avec de l'eau savonneuse avant de faire fonctionner le chauffe-piscine.
 

**⚠ MISE EN GARDE! Risque d'incendie ou d'explosion. Ne jamais tester les fuites de gaz sous une flamme vive.**
7. Alimenter le chauffe-piscine en électricité et démarrer la pompe.
8. Allumer le chauffe-piscine.
 

**REMARQUE : Si vous utilisez un inclinomètre, fermez la soupape de fermeture du manomètre pour éviter de faire sortir le liquide au démarrage du ventilateur.**
9. Vérifier que la pression d'alimentation se situe dans la plage de 4 po à 12 po CE lorsque le brûleur est allumé. Si la pression d'alimentation baisse sous cette plage quand le brûleur s'allume, la capacité de la conduite de gaz peut être inadéquate et doit être augmentée.
10. Pendant que le brûleur est toujours allumé, débrancher le tuyau en plastique entre la soupape de gaz et la soupape de « VENTILATION » et l'orifice d'entrée du mélangeur du ventilateur. Le manomètre devrait alors indiquer **0,2 ± 0,1 PO CE**. (Comme le robinet de pression est relié au côté inférieur du manomètre, la pression est en fait négative.) Si la pression se situe à l'extérieur de la plage précisée, communiquez avec l'usine en composant le **1 800 831-7133**. Ne tentez pas d'ajuster vous-même la pression.



## Vérification du réglage de la pression de gaz (suite)

11. Si la pression se situe dans les limites indiquées à l'étape 10, la pression de gaz est optimale. Rebranchez le tuyau en plastique entre l'ÉVENT DE VANNE À GAZ TOP et l'entrée MIXER du ventilateur.
12. Retirer le raccord cannelé NPT de 1/8 po du port de la PRISE SOUS PRESSION sur le côté de sortie de la soupape de gaz et réinstaller le bouchon. S'assurer de bien le serrer. ÉTEINDRE le chauffe-piscine et FERMER la soupape d'approvisionnement en gaz manuelle.
13. Faire fonctionner le chauffe-piscine pendant au moins 10 minutes, puis insérer l'analyseur de combustion dans l'échappement et mesurer le taux de CO<sub>2</sub>. La plage de CO<sub>2</sub> recommandée pour la combustion au gaz naturel et au propane est indiquée dans le Tableau 2 à la page 8. Les lectures doivent se situer de préférence dans le milieu de la plage.
14. Remplacer le panneau pour l'entretien de la tuyauterie d'eau. Voir Figure 1 à la page 7.

## Spécifications

<b>Pression d'entrée :</b>	
Min/Max :	4 po à 12 po CE
<b>Pression d'admission :</b>	
Référence au robinet d'entrée du souffleur :	-0,2 po CE
<b>Entrée de gaz requise (BTU/h) :</b>	399,990 BTU/h
Modèle Chauffe-piscine à rendement élevé ETi <sup>®</sup> 400	

## Liste des pièces dans la trousse pour la soupape de régulation du gaz, n° de pièce 476001

Description	Qté	N° de pièce
Trousse de soupape de gaz	1	467001
Coude taraudé 1/8 mpt x 1/4 diam. int.	1	33202-0656T
Canalisation en PVC 0,25 po diam. int. x 0,375 po diam. ext. x 7,5 po	1	475845
Canalisation en PVC 0,25 po diam. int. x 0,375 po diam. ext. x 15,5 po	1	475847
Soupape de régulation du gaz	1	42001-0051
Trousse d'étiquettes MT	1	472585
Raccord en T de 1/4 po	1	475850
Guide d'installation, soupape de régulation du gaz du chauffe-piscine	1	476111

Page vierge

Page vierge



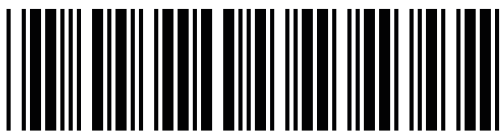
1620 HAWKINS AVE., SANFORD, NC 27330 • 919 566-8000

10951 WEST LOS ANGELES AVE., MOORPARK, CA 93021 • 805 553-5000

[WWW.PENTAIRPOOL.COM](http://WWW.PENTAIRPOOL.COM)

Toutes les marques de commerce et tous les logos Pentair appartiennent à Pentair ou à l'une de ses filiales dans le monde. ETi® et Sta-Rite® sont des marques déposées de Pentair Water Pool and Spa, Inc. ou de ses filiales aux États-Unis et dans d'autres pays. À moins d'avis explicite, les noms et marques de tierces parties susceptibles d'être utilisés dans ce document ne sont pas destinés à indiquer une affiliation entre les propriétaires de ces noms et marques et Pentair Water Pool and Spa, Inc. ni un appui de ceux-ci. Ces noms et marques peuvent être les marques de commerce ou les marques déposées de ces tierces parties. Dans la mesure où Pentair améliore constamment ses produits et services, la société se réserve le droit d'en modifier les spécifications sans préavis. Pentair est un employeur offrant l'égalité professionnelle.

© 2017 Pentair Water Pool and Spa, Inc. Tous droits réservés. Ce document peut faire l'objet de modifications sans préavis.



N° de pièce 476111 RÉV. A 11/2017