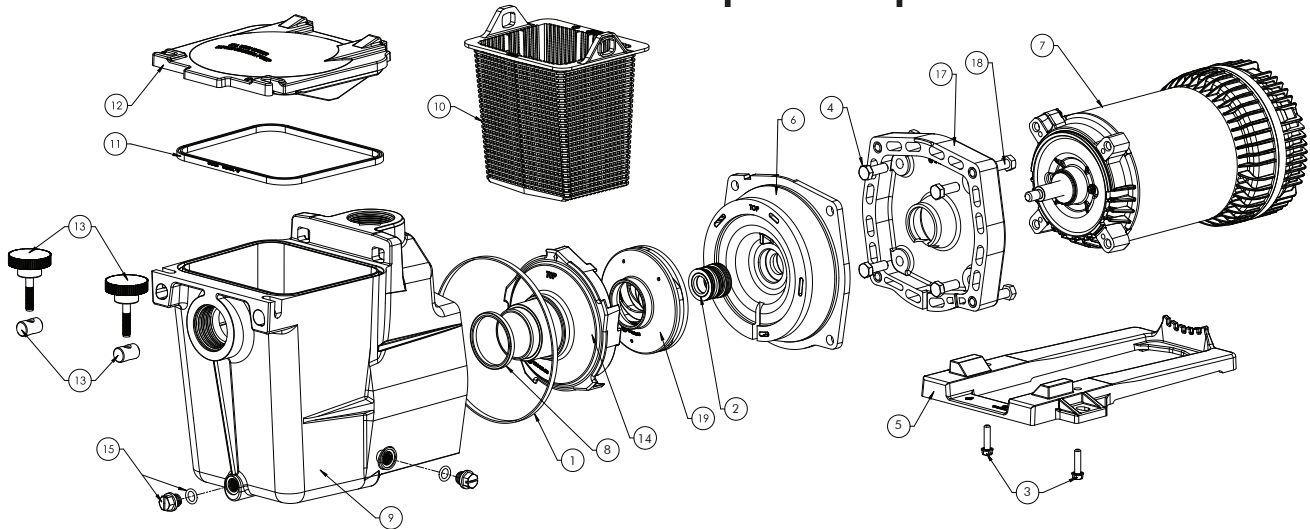




HAYWARD®

Super Pump XE



Ref. No.	Part No.	Description
1	SPX1600T	Housing Gasket
2A	SPX1600Z2	Shaft Seal Assembly
2B	SPX1600Z2VIT	Shaft Seal Assembly (Viton)
3	SPX1600Z52	Mounting Foot Screws (Set of 2)
4	SPX3200Z5PAK4	Motor Cap Screws (Set of 4)
5	SPX2600G1	Mounting Foot, VSP (Includes Screws)
6	SPX2600E5	Seal Plate
7A	SPX2610X15XEPE	1.65 HP Power End includes #2, #4, #6-#8, #14, #17, #19
7B	SPX2615X20XEPE	2.25 HP Power End includes #2, #4, #6-#8, #14, #17, #19
8	SPX1600R	Diffuser Gasket
9	SPX1620AA	Pump Strainer Housing With Gasket
10	SPX1600M	Basket
11	SPX1600S	Strainer Cover Gasket
12	SPX1600D	Strainer Cover
13	SPX1600PN	Swivel Nut & Hand Knob
14	SPX2600B	Diffuser
15	SPX1700FG	Drain Plug with Gasket
17	SPX1600F5	Motor Mounting Plate
18	SPX1600Z4	Housing Cap Screw
19A	SPX2610C	1.65 THP Impeller
19B	SPX2615C	2.25 THP Impeller