

100 POOL AND SPA TRANSFORMER



Engineered for safe, reliable, and quiet performance



FEATURES

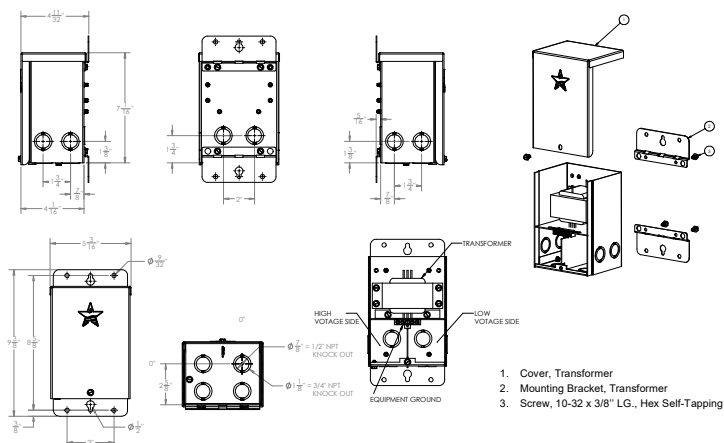
- Certified to UL379 for pool and spa use
- Input: 120 VAC, 1 A Max
- Output: 12, 13, or 14 VAC, 100 W
- Automatic breaker reset
- Quiet steel casing
- Built-in noise filter
- Extra space for wiring flexibility
- 1 per case

NEW Certified to UL379 for pool and spa use



Input: 120 VAC, 1 A Max
Output: 12, 13, or 14 VAC, 100 W

Part # LST100



P 877-768-2717 F 877-276-POOL Outside the US: P +1-949-336-1940 F +1-949-336-1940
info@aquastarpoolproducts.com www.aquastarpoolproducts.com

300 POOL AND SPA TRANSFORMER



Engineered for safe, reliable, and quiet performance



FEATURES

Certified to UL379 for pool and spa use

Input: 120 VAC, 3 A Max

Output: 12, 13, or 14 VAC, 300 VA

Automatic breaker reset

Quiet steel casing

Built-in noise filter

Extra space for wiring flexibility

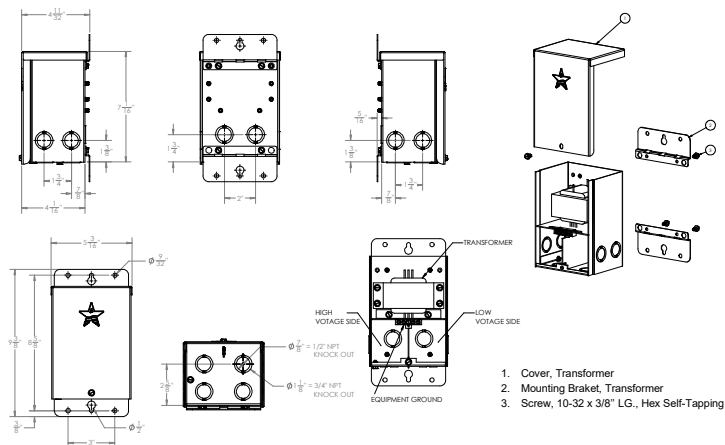
1 per case

NEW Certified to UL379 for pool and spa use



Input: 120 VAC, 3 A Max
Output: 12, 13, or 14 VAC, 300 VA

Part # LST300



1. Cover, Transformer
2. Mounting Bracket, Transformer
3. Screw, 10-32 x 3/8" LG., Hex Self-Tapping

P 877-768-2717 F 877-276-POOL Outside the US: P +1-949-336-1940 F +1-949-336-1940
info@aquastarpoolproducts.com www.aquastarpoolproducts.com