

Robo H2O Pool™ Cleaner Quick Start Guide



IMPORTANT SAFETY INSTRUCTIONS

Read all instructions before using this pool cleaner.

DROWNING AND SUCTION RISKS!

In order to effectively clean your pool, this **ROBO H2O** cleaner operates through the use of suction. You must be aware of serious risks created by the misuse of this suctioning cleaner. If you do not follow the instructions and warnings set out below, serious bodily injury and/or entrapment and drowning may occur:

- **Do not allow swimmers to enter pool when cleaner is in use. No exceptions!**
- **This pool cleaner should be used only by adults** who can properly operate the pool cleaner. Children should never be allowed to use, or play near, the cleaner or hose.
- **Instruct swimmers of the dangers** of contact with suction ports, cleaner head and cleaner hose as disclosed in these instructions.
- **Do not allow anyone to apply the cleaner or its suction hose to hair, clothing, or body parts.** Keep hair, fingers, loose clothing, and all body parts away from the cleaner, its hose and suction parts. The pool cleaner and/or its hose could get ahold of your hair, clothing or body parts and cause serious bodily harm or injury. Suction from the pool cleaner or the hose could also trap a pool user under water.
- **You must cover the suction port in the pool wall** when the port is not being used for the cleaner. Failure to cover the port can lead to entrapment injury and/or drowning.

SAFE USE OF YOUR POOL CLEANER

⚠ STOP PUMP PRIOR TO USING THE POOL IF CLEANER IS INSTALLED

If cleaner is in the pool, you must stop the pump before any swimmers enter the pool. If cleaner is operating in the pool while bathers are present, the cleaner as well as its hose and suction ports could entrap swimmers and cause permanent injury or death.

⚠ STOP PUMP TO SERVICE CLEANER

Turn off the pool pump and all suction prior to inspecting or performing maintenance on the cleaner. Moving parts inside the cleaner head as well as suction from the pool system can cause harm to fingers or other body parts.

⚠ STOP PUMP TO MOVE CLEANER

Turn off the pool pump and all suction prior to removing the hose. Move the hose and pool cleaner to an area of the pool that is not in use. If there is potential for the hose to interfere with pool users, remove it from the pool.

⚠ USE CLEANER ONLY AS DESCRIBED IN THIS MANUAL

Use only with Goby recommended attachments, replacement parts and accessories.

PREPARING YOUR POOL

Before installing your **Robo H2O Pool Cleaner**, you need to prepare your pool as **Robo H2O** will not operate unless the filter system is clean and ready for use. Backwash or manually clean filter prior to installing **Robo H2O**. This cleaner was not designed to be the first clean after pool construction or at the beginning of the season. If you have a vinyl pool, check for wear and tear, creases in the vinyl, or any obstructions under the liner. Gunite, plaster, tile and fiberglass pools must be in good condition. Pool must be cleaned of algae and debris prior to the cleaner's first use.

CHECK CONTENTS AFTER PREPARING YOUR POOL

Remove the **Robo H2O** cleaner and all accessories from the box to check the contents. *Refer to Figure 1.*

Note: It is important to hold the cleaner by the handles and not to hold it in any other location.

NO:	Description	Part #	Quant
1	Robo H2O Pool Cleaner Head	65001	1
2	Hose Lengths	65226	12
3	Flow Control Valve	65231	1
4	Female/Female Hose (for skimmer installation only)	65227	1
5	Hose Float	65229	1
6	Control Valve Adaptor	61231	1
7	Flow Gauge	65232	1

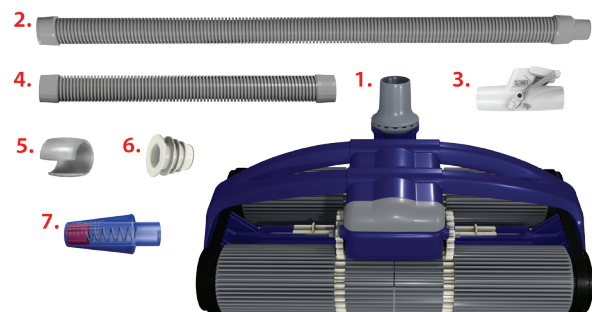


Figure 1

HOSE CONNECTION AND REMOVAL OF AIR FROM HOSE

1. Connect sufficient lengths of hose by inserting the male hose end into the female end (see **Figure 2**) until you have sufficient lengths of hose to cover the distance from the pool skimmer or dedicated suction line to the furthest point of your pool.
2. Then add one extra length so that you have enough hose to reach the furthest point of your pool plus one extra hose length. See **Figure 3**. For skimmer application, the **Female/Female Hose** should be used and connects directly to the **Flow Control Valve** inside the skimmer. For dedicated vacuum line installation, the **Flow Control Valve** is not used and the male end of the hose connects to the suction port in the pool wall.
3. Remove air from hose (see **Owner's Manual** for complete details).

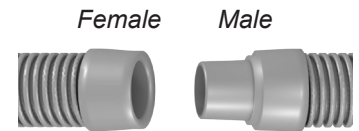


Figure 2

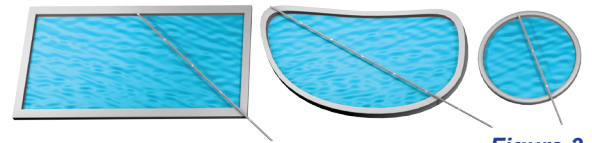


Figure 3

WHEN CONNECTING TO THE POOL SKIMMER

When connecting to the pool skimmer, the **Flow Control Valve** is often used. The **Flow Control Valve** ensures your **Robo H2O Pool Cleaner** receives the flow required for optimum performance. If you have two skimmers, the **Flow Control Valve** may not be necessary.**

** **Note:** For two skimmer application, use the skimmer closest to pool equipment and connect hose using only the **Male Hose end** (**Flow Control Valve** is not used).

1. Attach **Flow Control Valve** to the **Female/Female Hose** closest to the skimmer. The **Flow Control Valve** will automatically regulate the flow to your **Robo H2O Cleaner**. If the flow from the pump is too high, the spring-loaded flap will open to bypass the excess, so only the correct amount of flow goes through the cleaner.
2. Remove the skimmer basket.
3. Insert **Control Valve Adaptor** to hole in skimmer to ensure a good connection/snug fit. Then insert the **Flow Control Valve** into the **Control Valve Adaptor** as shown in **Figure 4**. If there are two holes at the bottom of the skimmer, place it into the one at the back (the hole farthest from the opening in the skimmer).

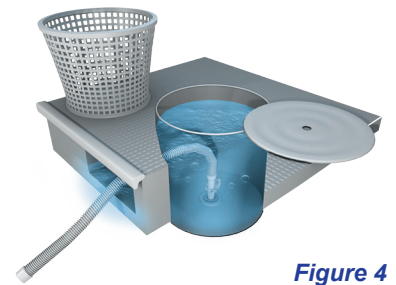


Figure 4

4. Once air has been removed from cleaner and **Flow Control Valve** has been installed, test the flow using the **Flow Gauge**. Remove cleaner head from female end of hose. Attach the **Flow Gauge** to the end of the hose that will connect to the cleaner head. The **Flow Gauge** should read around 5. If the **Flow Gauge** does not read around 5, see section on how to count RPMs in **Owner's Manual**. If sufficient flow is not obtained with the factory setting of the **Flow Control Valve** (low), adjust as needed using the handles on the side of the valve. See **Figure 5**.
5. Once flow is in proper range, remove **Flow Gauge** from hose and connect hose to the cleaner's **Articulating Swivel**.
6. Add **Hose Float** and position it as close to the **Articulating Swivel** as possible. See **Figure 6**. Turn the pool pump **ON** and your **Robo H2O Pool Cleaner** will now begin automatically vacuuming your pool.



Figure 5

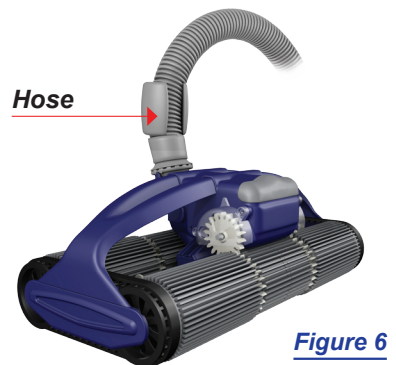


Figure 6

WHEN CONNECTING TO A DEDICATED VACUUM LINE IN THE POOL

Some pools are equipped with a dedicated vacuum line, which allows the cleaner to be connected to this line instead of the skimmer. In such cases, the **Flow Control Valve** should **NOT BE USED**. To connect to the dedicated vacuum line:

1. Open the spring-loaded flap on the vacuum line wall fitting and insert the male (smaller) open end of the hose. Ensure it is well secured. Once air has been removed from cleaner, it is important to test using the **Flow Gauge**. Remove cleaner head from female end of hose. Attach the **Flow Gauge** to the end of the hose that will connect to the cleaner head in order to ensure there is proper flow to the cleaner. The **Flow Gauge** should read around 5. If **Flow Gauge** does not read around 5, see how to count RPMs in **Manual**.
2. If flow management is required, adjust valves at pool pad as needed as shown in **Figure 20** on **page 18** of the **Owner's Manual**.
3. Once flow is in proper range, remove **Flow Gauge** from hose and connect hose to the **Articulating Swivel**.
4. Add **Hose Float** and position it as close to the **Articulating Swivel** as possible. See **Figure 6**. Turn the pool pump **ON** and your **Robo H2O Pool Cleaner** will now begin automatically vacuuming your pool.

Note about suction: If more or less suction is needed, you will need to adjust the **Sliders** on the pool cleaner itself.

Closing the white sliders increases the suction and opening the white sliders decreases suction. See **page 11** in the **Owner's Manual** for detailed instructions on **Slider** adjustment.