

Fastlane® Pro

Planning Guide



THE FASTLANE PRO® CURRENT SYSTEM DELIVERS A SMOOTH, EVEN CURRENT TO ANY POOL.

- Swim In Place Without Interruption; The Current Has Dozens Of Speeds Up To A 1:08/100-Yard Pace (1:14/100 Meters).
- Turn On The Current For Fitness And Fun To Bring New Vitality To Your Pool Season.

HOW IT WORKS

The Current Unit: Installed poolside, the Unit houses our sealed stainless-steel hydraulic motor and custom-designed 16" propeller. Use the water-resistant remote or the Endless Pools Fit@Home® app to control the current for swimming, playtime, or added resistance to any pool workout.

The Hydraulic Power Unit (HPU): Remotely located, the HPU connects to the Current Unit via to hydraulic hoses designed to keep the electricity separate from the water. The 5-hp HPU sends our biodegradable, vegetable oil to the Current Unit, generating the current for fun and fitness.

CHOOSING A LOCATION

The Fastlane Pro current system can be installed in virtually any new or existing swimming pool. The Current Unit can be placed in pools with a surface area of 200 sq. ft. or greater and water as shallow as 39".

Select a location for the Current Unit that is at least 12' from the opposing pool wall. This will provide you a spacious private swim lane. The Current Unit must be installed no closer than 20" from any adjacent wall.

Once electricity is brought to the HPU, you can attach the Deck-Mount Fastlane Pro current system to an existing pool deck and have it running in an hour or two. For new pool construction, a pool contractor will typically install the Wall-Mount Fastlane Pro current system.

HPU PLACEMENT

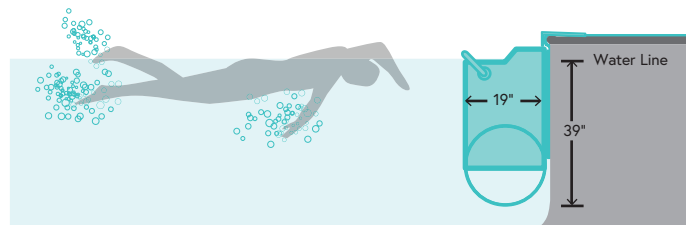
The 5-hp HPU operates only when the swim current is on. Locate the HPU with your other pool equipment and protected from the everyday elements. The HPU must be placed on solid ground. For ample ventilation and general maintenance, a minimum of 12" air space must be provided on all sides.



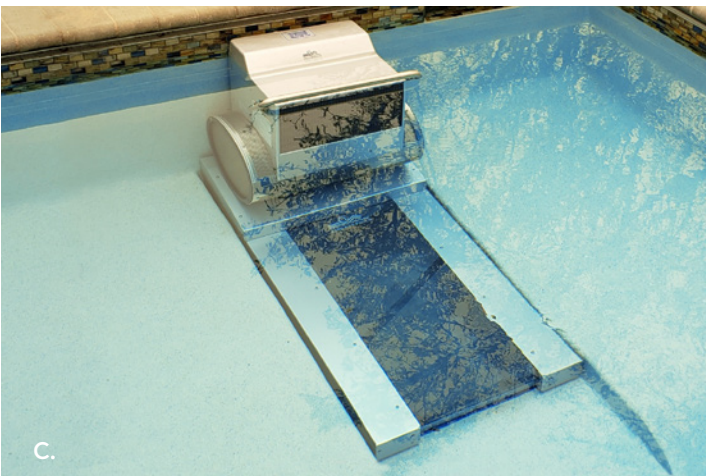
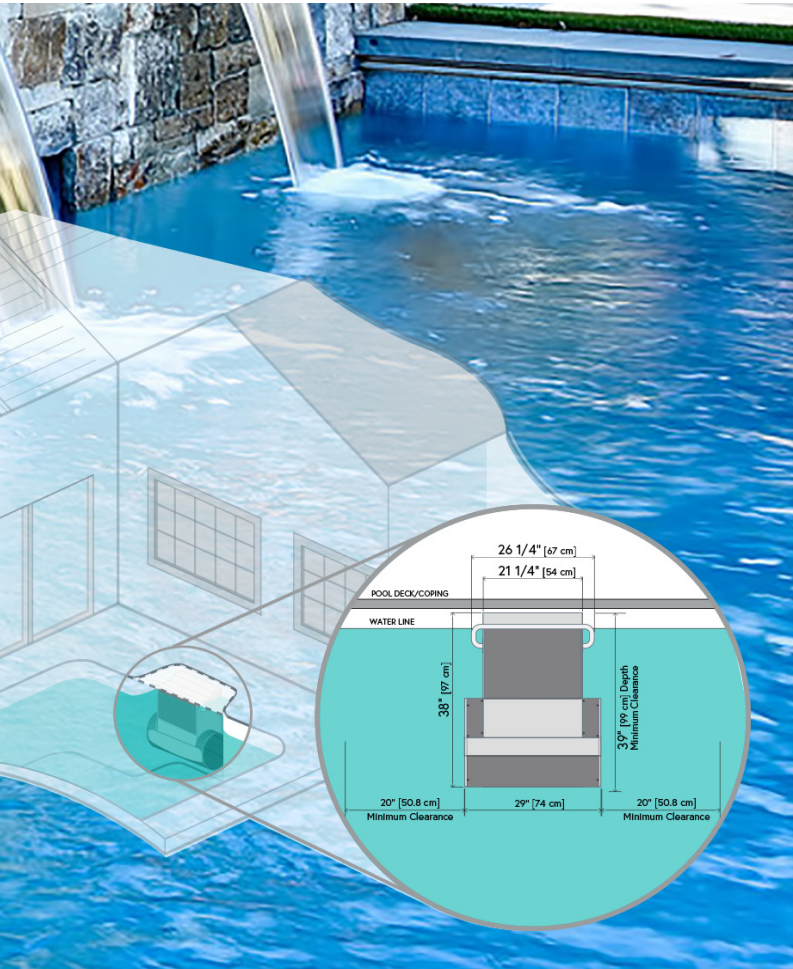
DECK MOUNT FOR EXISTING POOLS

The Deck Mount Fastlane Pro current system will typically be installed in an existing backyard pool. A hose cover conceals the hydraulic hoses and is attached to the pool deck.

When installing the Deck Mount Fastlane Pro current system there must be 12" of solid decking to secure the Current Unit to the pool deck.

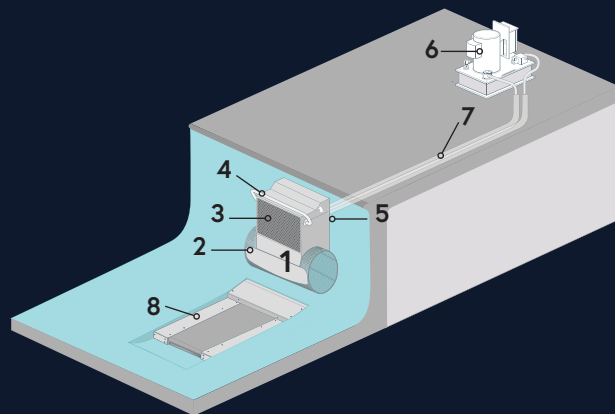
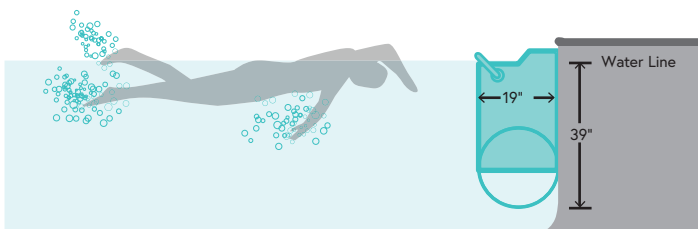


- A. Niche Mount Fastlane Pro
- B. Deck Mount Fastlane Pro
- C. Wall Mount Fastlane Pro with Hydrostride™



WALL MOUNT FOR NEW CONSTRUCTION

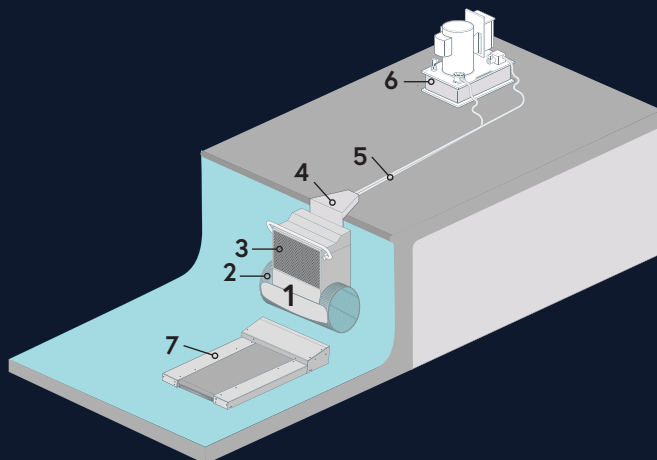
The Wall Mount Fastlane Pro current system attaches directly to your pool wall with the use of a wall mount bracket. Because the wall mount bracket is imbedded in the pool wall, the Wall Mount Fastlane Pro current system is ideal for new pool construction or pool refurbishment. The hydraulic hoses are hidden in behind the pool wall and run through a conduit under the pool deck.



THE WALL MOUNT SYSTEM

- | | |
|--------------------------|--|
| 1. Current Unit | 2. Intake Grill |
| 3. Outlet Grill | 4. Stainless Steel Grab Bar |
| 5. Wall Mount Bracket | 6. Power Unit |
| 7. Hydraulic Hose System | 8. Optional Hydrostride Underwater Treadmill |

The Wall Mount Fastlane Pro Current Unit is connected to the Hydraulic Power Unit by two hydraulic hoses. Two 25-foot lengths of hose are included with your Fastlane Pro current system. Additional hydraulic hose is available for purchase.



THE DECK MOUNT SYSTEM

- | | |
|--|-----------------|
| 1. Current Unit | 2. Intake grill |
| 3. Outlet grill | 4. Deck Cover |
| 5. Hydraulic Hoses | 6. Power Unit |
| 7. Optional Hydrostride Underwater Treadmill | |

Hose Management Systems. The Deck Mount Fastlane Pro current system comes standard with hose clips to secure the hoses to the pool deck. There are two additional options to manage the hoses.

Option: Deck Drain: Create a 2"-wide, 4"-deep trench across the deck to accommodate a deck drain channel (not included).

Option: Conduit: If you wish to hide these hoses completely, you can use appropriate conduit material which may be buried under the pool deck. Please call your Product Specialist.

The Fastlane Pro current system is not a toy. It is precision-engineered technology and should never be used by children without proper adult supervision.

ELECTRICAL REQUIREMENTS

It is imperative that the Fastlane Pro current system installation complies with the National Electric Code Article 680 Swimming Pools and Similar Installations and any other applicable local codes and ordinances. The Fastlane Pro current system is ETL listed, Ref. #2001770, and CE listed. A licensed electrician can help with this review and must perform all electrical work.

GROUND FAULT CIRCUIT INTERRUPTERS (GFCI)

All equipment provided by Endless Pools and all associated pool equipment must be protected by GFCI. These GFCI circuits must be tested monthly.

POWER UNIT CONNECTIONS

The Fastlane Pro current system requires a single 30-Amp, 220-Volt GFCI circuit to operate. An electrician must install a disconnect box within 6 feet of the Power Unit location.

BONDING

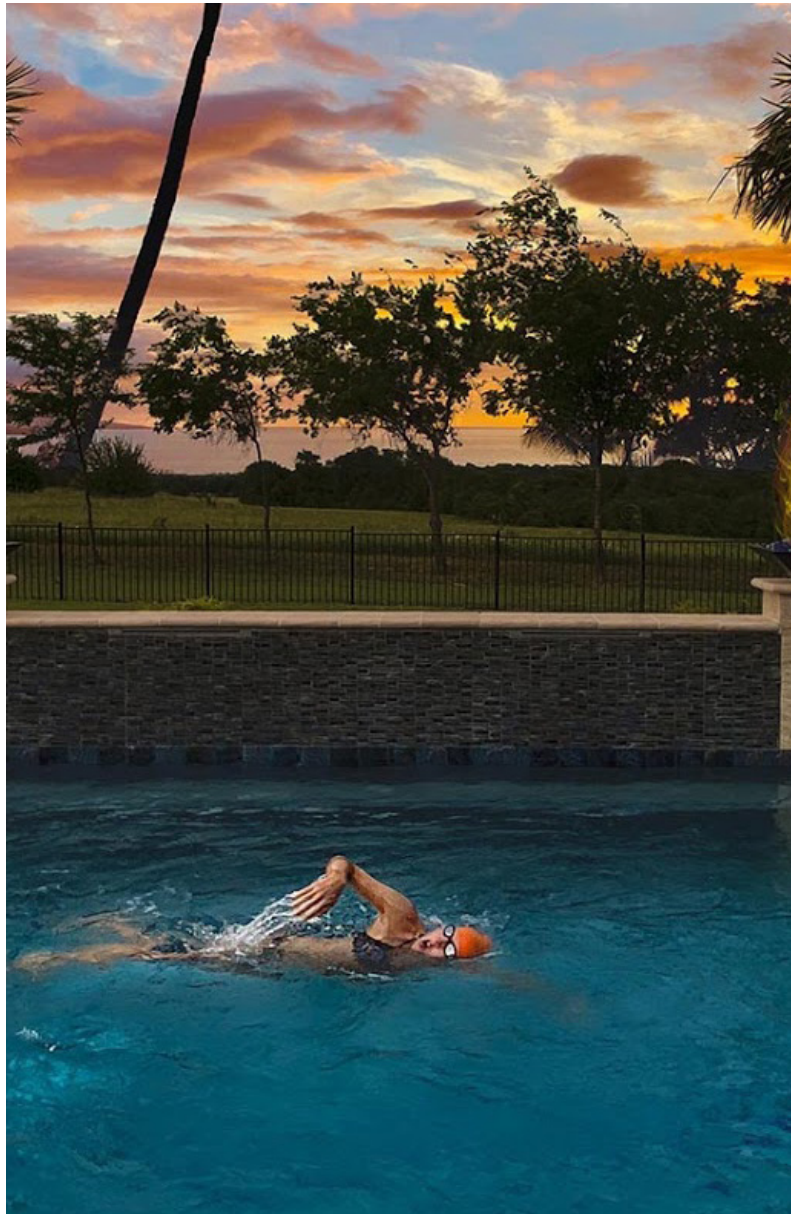
Both the Current Unit and Power Unit have bonding lugs. Proper bonding with a #8 or larger solid copper wire is required.

GENERAL CONSIDERATIONS

Pools utilizing salt chlorine generators can pose a significant hazard to pool equipment, including a Fastlane Pro current system. While we use the finest 316L stainless steel available, proper bonding and water chemistry control become critical. Refer specifically to our warranty.

If winterizing a pool, the Fastlane Pro current system should be removed and stored for the off-season. The hydraulic fluid that remains in the hoses will not freeze even in cold climates.

To protect your Fastlane Pro current system, we provide a Sacrificial Anode; you will need to replace it periodically.



1601 Dutton Mill Rd
Aston, PA 19014-2831
www.endlesspools.com
swim@endlesspools.com
484-768-1660 US
0800.520.0433 UK
610.497.9328 Fax



D39004 0921

© 2021 Wellness Marketing Corporation