

# DIGITAL GAS

---

## POOL AND SPA HEATER

MODERN  
DESIGN AND  
CONSTRUCTION

DYNAMIC  
SELF-DIAGNOSTIC  
CONTROLS

FEATURING  
PROTEK SHIELD™

AVAILABLE AS  
ATMOSPHERIC, LOW NO<sub>x</sub>,  
AND ASME

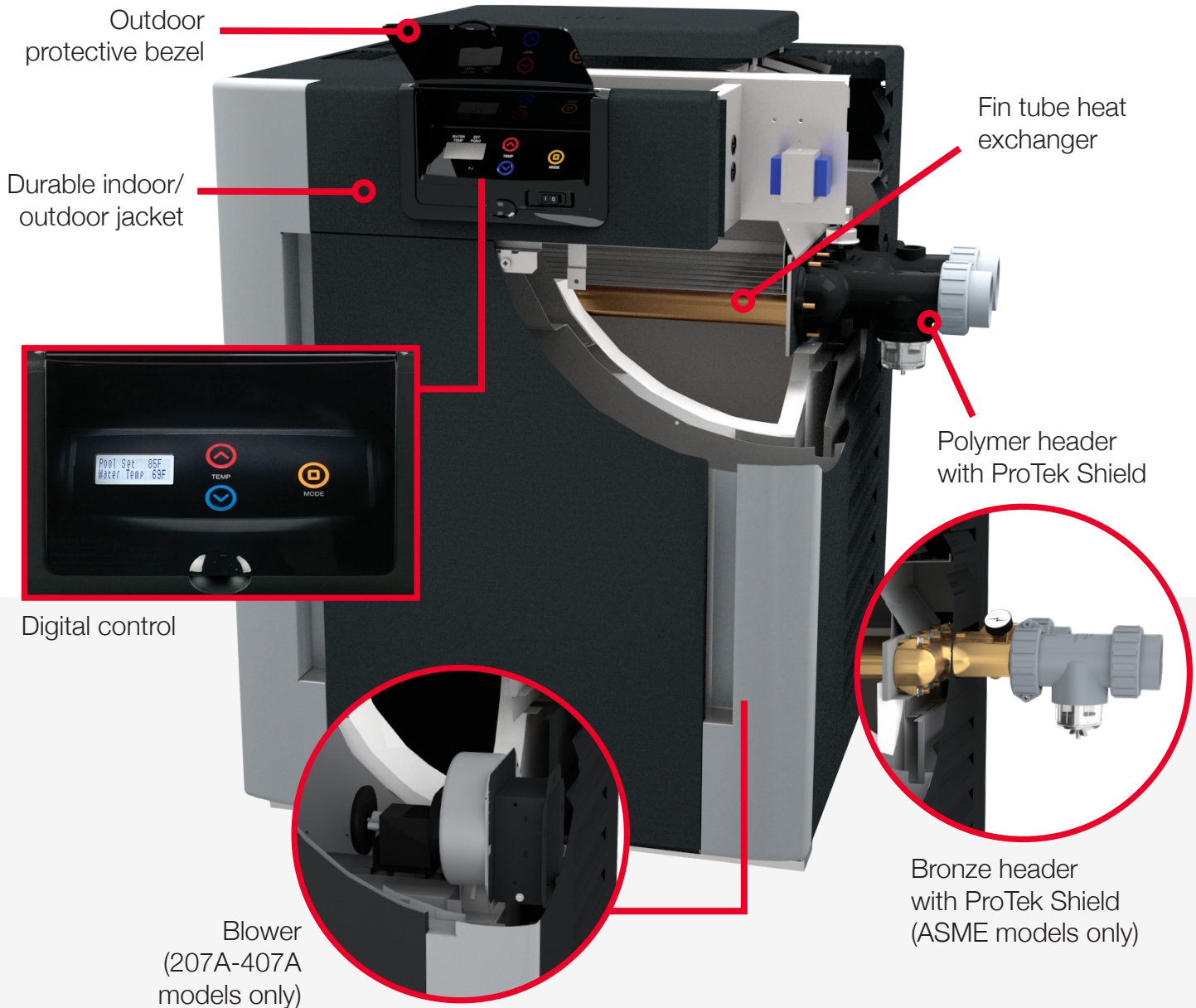


**Raypak**®  
A Rheem® Company

# RELAXATION

Soak it all in, you deserve this.

The sleek and stylish Raypak Digital Gas Pool and Spa Heater is available in Atmospheric, Low NOx and ASME models. The Digital Gas Pool and Spa Heaters feature innovative technology designed to keep your pool or spa at the perfect temperature for your enjoyment. Built to withstand various weather conditions, this modern pool and spa heater is the perfect solution for environments requiring efficiency, convenience and versatility. Whether upgrading your existing system or adding a new pool or spa to your home, our heater offers you flexible installation solutions. Thanks to a brilliant low-profile design, corrosion resistant cabinet made of galvanized metal, copper or cupronickel fin tube heat exchanger, and a bevy of advanced-engineered materials you will be able to enjoy your heater year round.

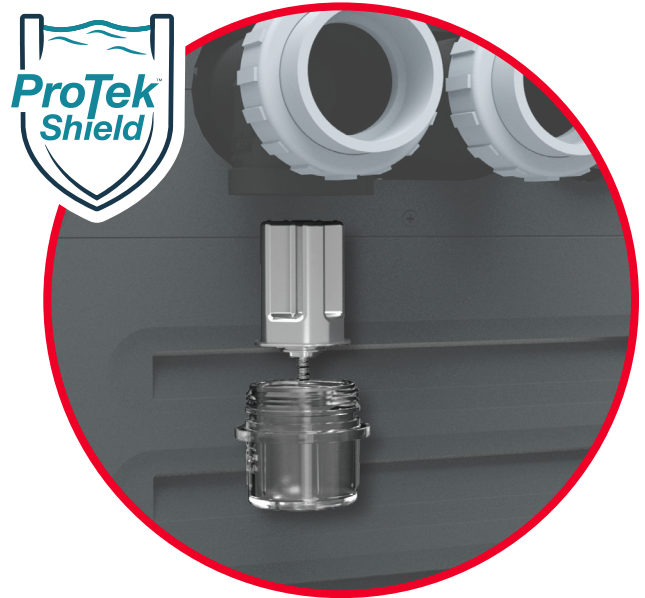


# STARTS HERE.

## ProTek Shield

ProTek Shield is a cutting-edge module that protects the heat exchanger and extends the life of your Raypak Digital Gas Pool and Spa Heater. Rest, soak or swim knowing that your pool heater investment can be enjoyed even longer thanks to this innovative, patent-pending technology.

- Excellent for use in chlorinated and salt water pools
- Engineered to take the brunt of the corrosion that naturally occurs over time (erosion of the ProTek Shield means it's working!)
- Utilizes breakthrough patent pending technology
- Compact design
- Easy to replace, saving you time and money
- Included on all models



## More Amazing Features



### Heat Exchanger

Our Digital Gas Pool and Spa Heater includes various application options based on fin tube materials including: copper and cupronickel, both available as ASME.

Bronze ASME headers provide the strength needed to meet commercial code requirements.



### Low NO<sub>x</sub> Certified

Available on our Digital Gas Pool and Spa Heater Low NO<sub>x</sub> (207A-407A) models, the air fuel mixture is maintained by a gas valve/blower system that allows the heater to always burn clean and safe.

**Bonus:** Meets additional safety standards and regulations required for Texas, California and Utah.



### Flexible Installation

Whether upgrading your existing system or adding a new pool or spa to your home, the Raypak Digital Gas Pool and Spa Heater offers you flexible installation solutions.

**Bonus:** The self-adjusting burner compensates for gas pressure fluctuations, ensuring that the heater will always burn clean and safe.

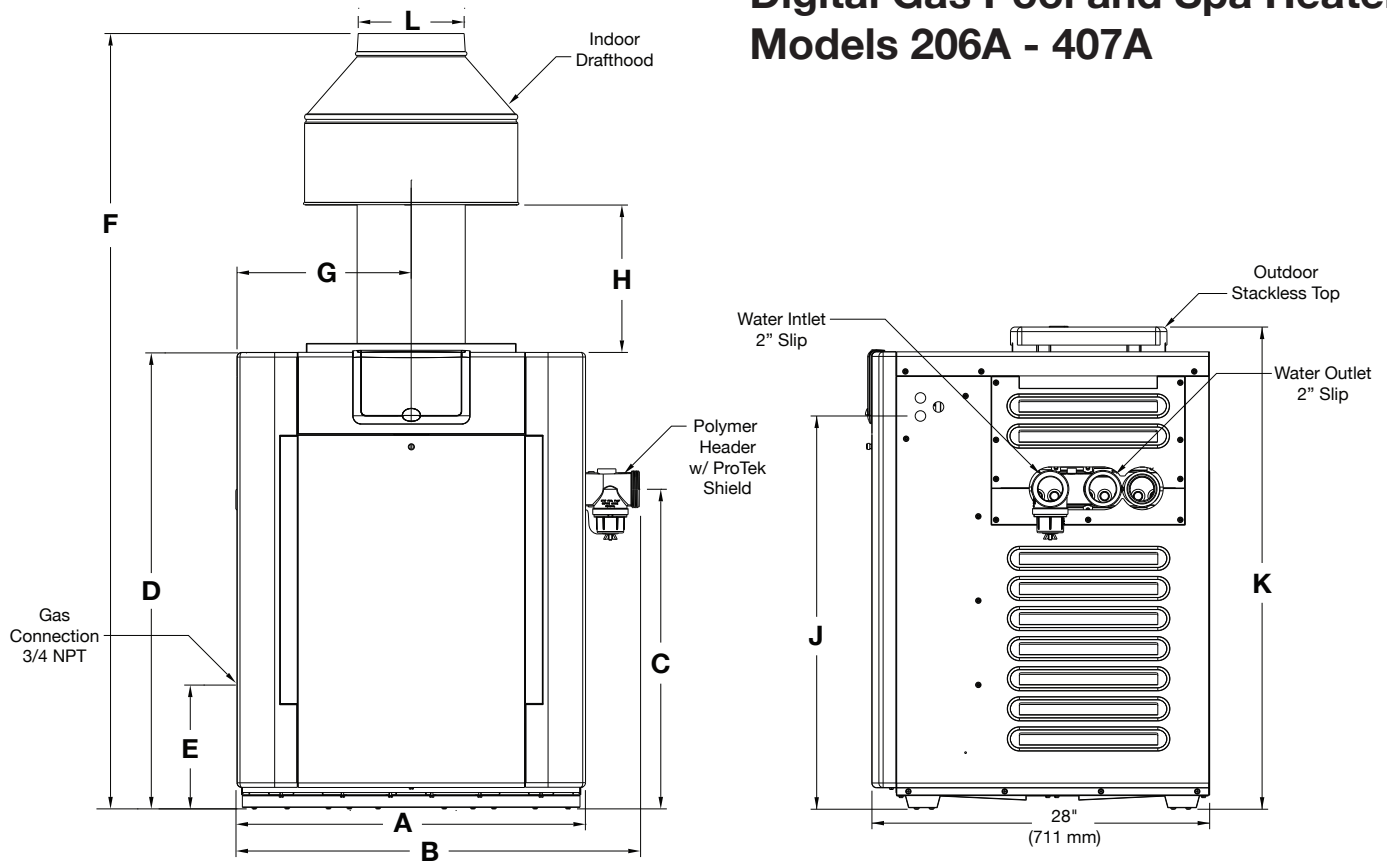


### Digital Controls

Equipped with an intelligent control system that can easily be tied into an existing remote system, our heater also features a microprocessor-controlled thermostat for setting the perfect temperature for your pool or spa.

Learn more at [raypak.com](http://raypak.com)

# Digital Gas Pool and Spa Heater Models 206A - 407A



Model	MBTUH		Dimensions in. (mm)													Est. Ship Weight lbs. (kg)		
	Copper Input	Cupronickel Input	A Cabinet Width	B	C w/ Polymer Headers	C w/ Bronze Headers	D Cabinet Height	E	F	G	H	J	K	L Flue ø	w/ Polymer Headers and Stackless Top	w/ Bronze Headers and Stackless Top	Indoor Draft-hood	
Atmospheric	206A	199,500	180,000	20 (508)	24-1/4 (616)	26-5/8 (676)	25-15/16 (660)	38 (965)	13-1/4 (337)	61-5/8 (1565)	10 (254)	11-3/4 (298)	32-11/16 (830)	40 (1016)	6 (152)	187 (85)	206 (94)	14 (6.4)
	266A	266,000	240,000	23 (584)	27-1/4 (692)	26-5/8 (676)	25-15/16 (660)	38 (965)	13-1/4 (337)	62 (1575)	11-1/2 (292)	11 (279)	32-11/16 (830)	40 (1016)	7 (178)	210 (95)	229 (104)	16 (7.3)
	336A	332,500	300,000	26 (660)	30-1/4 (768)	26-5/8 (676)	25-15/16 (660)	38 (965)	13-1/4 (337)	63 (1600)	13 (330)	10-5/8 (270)	32-11/16 (830)	40 (1016)	8 (203)	230 (104)	249 (113)	19 (8.6)
	406A	399,000	360,000	29 (737)	33-1/4 (845)	26-5/8 (676)	25-15/16 (660)	38 (965)	13-1/4 (337)	64-9/16 (1640)	14-1/2 (368)	12-1/8 (308)	32-11/16 (830)	40 (1016)	9 (229)	249 (113)	268 (122)	21 (9.5)
Low NO <sub>x</sub>	207A	199,500	N/A	20 (508)	24-1/4 (616)	20-1/2 (521)	19-13/16 (503)	31-13/16 (792)	7-3/4 (197)	55-5/8 (1413)	10 (254)	11-3/4 (298)	26-1/2 (673)	34 (867)	6 (152)	174 (79)	193 (88)	14 (6.4)
	267A	266,000	N/A	23 (584)	27-1/4 (692)	20-1/2 (521)	19-13/16 (503)	31-13/16 (792)	7-3/4 (197)	56 (1422)	11-1/2 (292)	11 (279)	26-1/2 (673)	34 (867)	7 (178)	197 (89)	216 (98)	16 (7.3)
	337A	332,500	N/A	26 (660)	30-1/4 (768)	20-1/2 (521)	19-13/16 (503)	31-13/16 (792)	7-3/4 (197)	57 (1448)	13 (330)	10-5/8 (270)	26-1/2 (673)	34 (867)	8 (203)	219 (99)	238 (108)	19 (8.6)
	407A	399,000	N/A	29 (737)	33-1/4 (845)	20-1/2 (521)	19-13/16 (503)	31-13/16 (792)	7-3/4 (197)	58-1/2 (1486)	14-1/2 (368)	12-1/2 (318)	26-1/2 (673)	34 (867)	9 (229)	237 (108)	256 (116)	21 (9.5)

Models	Amp Draw <sup>1</sup>	
	120V AC	240V AC
206A-406A	4	2
207A-407A	6	3

<sup>1</sup> Single phase, 60 Hz.



www.raypak.com

2151 Eastman Avenue | Oxnard, CA 93030 | 805-278-5300

Litho in U.S.A. ©2020 Raypak, Inc. 6000.75 Effective 09-01-20 Replaces NEW