



**Product Submittal for ASME
Digital/Millivolt Atmospheric
Gas Pool Heaters
Models B-R206A – B-R406A**

Job: _____ Date: _____

Engineer: _____ Model: _____ Indoor/Outdoor

Contractor: _____

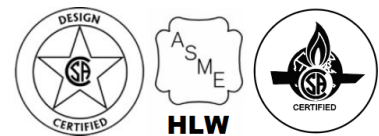
Prepared by: _____

Features:

- 82% Efficiency
- ASME Code Bronze Headers
- ASME Code Copper-Fin Tube
- 75 lb. Pressure Relief Valve
- Small Footprint
- Unitherm Governor Anti-Condensation Control
- Indoor/Outdoor
- Proudly Assembled in the USA



Digital model with outdoor top shown



Heat exchanger

- ASME HLW stamped; 100 PSIG MAWP
- National board registered
- Bronze headers
- Finned tubing
 - Copper (standard)
 - Cupronickel (optional, digital units only)
- ASME Steel tube sheet
- Silicone O-rings
- Fixed high limit, auto reset, 160°F
- Fixed high limit, manual reset, 135°F
- 75 PSIG Pressure relief valve
- Water connections
 - Right hand (standard)
 - Left hand (optional-field change)
- Flow configuration (two-pass)

Controls

- Millivolt option
 - Standing pilot ignition
 - Thermopile generator
 - Single mechanical temperature control
 - Flame rollout switch
 - High limit control
 - On/off switch
 - Water pressure switch
- Digital option
 - 120/240V, 60Hz, 1 Ph power supply
 - 120/240/24V Transformer
 - 100% Pilot shut-off; lockout (propane only)
 - Electronic, intermittent ignition pilot (IID)
 - High limit control
 - On/off switch
 - Flame rollout switch
 - Water pressure switch
 - Dual electronic temp sensor
 - Digital display with diagnostics

Gas control train

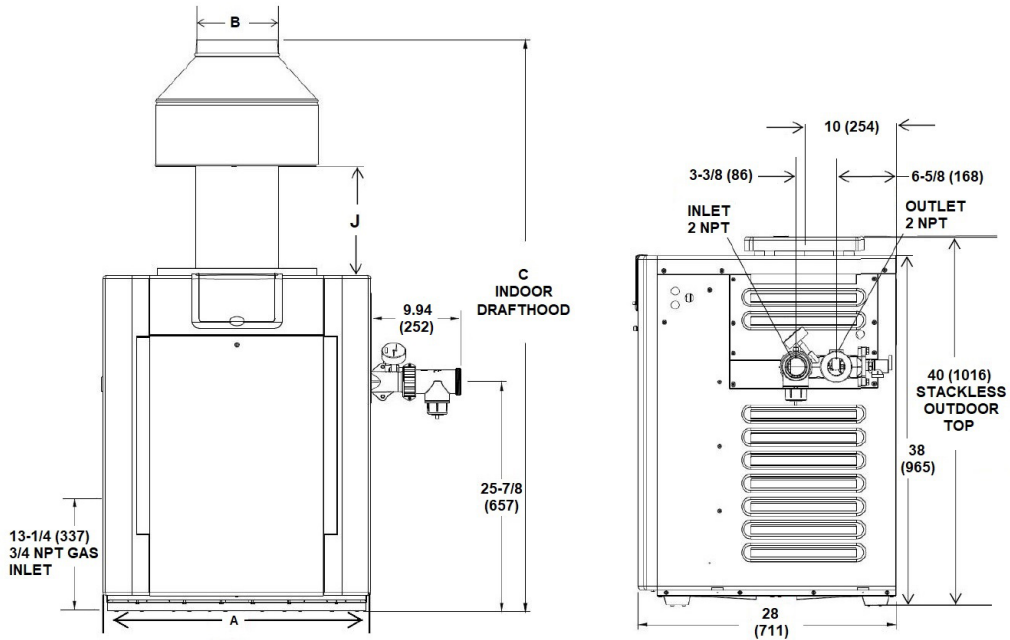
- Fuel
 - Natural gas
 - Propane (minimum grade HD-5)
- Combination control valve
- On/off firing

Construction

- Front controls
- ANSI Z21.56 design certified
- Stainless steel burners
- Polytuf powder coat finish
- Indoor/outdoor
- Can be installed on combustible surface
- Venting
 - Outdoor stackless top (included)
 - D-2 Power vent indoor, loose (optional for digital models, see 1000.70)
 - D-10 Indoor draft diverter, loose (optional)
 - D-13 High wind top (optional, outdoor)
 - Outdoor high wind stack (optional)

Other options

- PoolStat cover/lock kit
- X-10 Restraint bracket (Florida code requirement)



| Heater Model | MBTUH (kWh) Input | Dimensions in. (mm) | | | | Shipping Weights lbs. (kg) | |
|--------------|-------------------|---------------------|---------------|-----------------------|-------------------------|----------------------------|-------------------|
| | | Cabinet Width (A) | Flue Dia. (B) | Indoor Draft Hood (C) | Draft Relief Height (J) | Heater with Stackless Top | Indoor Draft Hood |
| B-R206A | 199.5 (58.47) | 20 (508) | 6 (152) | 61.63 (1565) | 11.75 (298) | 212 (96.16) | 14 (6.35) |
| B-R266A | 266.0 (77.96) | 23 (584) | 7 (178) | 62 (1575) | 11 (279) | 235 (106.59) | 16 (7.26) |
| B-R336A | 332.5 (97.45) | 26 (660) | 8 (203) | 63 (1600) | 10.63 (270) | 250 (113.39) | 19 (8.62) |
| B-R406A | 399.0 (117) | 29 (736) | 9 (229) | 64.5 (1638) | 12.13 (308) | 269 (122) | 21 (9.52) |

- Notes:
1. Model number suffix indicates pilot type (E = digital, M = millivolt), fuel type (P = propane, N = natural gas) and tube material (C = copper, X = cupronickel). Example: Model number B-R406A-EN-C indicates a unit with digital (IID) ignition using natural gas with copper tubes.
 2. Ratings are for natural gas and elevations up to 2,000 feet above sea level. Reduce input 4% for each 1,000 feet above sea level when installed at over 2,000 feet elevation.