

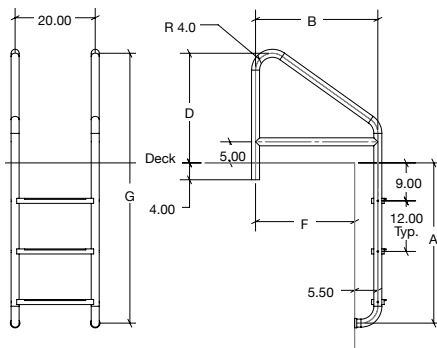
# Standard Crossbrace Plus Ladder

## Plastic Tread Ladder



- Tubing: 1.90" OD
- Wall Thickness: .065", .109" or .145"
- Stainless Steel: 304
- Treads: LTDF-106 (Plastic)
- Bends: 4" Radius
- Options: Powder-coating and SealedSteel Salt Friendly (rails only)
- Recommended anchors: AS-200B for 1.50" and AS-100B for 1.90" (order separately)
- Recommended escutcheons: EP-150 for 1.50" and EP-100F for 1.90" (order separately)

\* Call Customer Service at 800.824.4387 for availability of ladders of 1.50"OD tubing



plastic

MODEL NUMBER	A	B	D	F	G
10073 TO 10075	28.00	23.00	26.00	17.50	54.00
10076 TO 10078	40.00	23.00	26.00	17.50	66.00
10079 TO 10081	52.00	23.00	26.00	17.50	78.00
10082 TO 10084	64.00	23.00	26.00	17.50	90.00
10085 TO 10087	28.00	29.00	26.00	23.50	54.00
10088 TO 10090	40.00	29.00	26.00	23.50	66.00
10091 TO 10093	52.00	29.00	26.00	23.50	78.00
10094 TO 10096	64.00	29.00	26.00	23.50	90.00
10097 TO 10099	28.00	35.00	31.00	29.50	59.00
10100 TO 10102	40.00	35.00	31.00	29.50	71.00
10103 TO 10105	52.00	35.00	31.00	29.50	83.00
10106 TO 10108	64.00	35.00	31.00	29.50	95.00

Model No.	Description	Shipping			
		Weight	Length	Width	Height
10073 to 10075*	23" 2-Step Ladder with .065", .109", .145" tubing	36, 50, 66 lbs 16, 23, 30kg	61"	29"	2"
10076 to 10078	23" 3-Step Ladder with .065", .109", .145" tubing	42, 58, 74 lbs 20, 26, 34kg	70"	28"	2"
10079 to 10081	23" 4-Step Ladder with .065", .109", .145" tubing	46, 66, 82 lbs 21, 30, 37kg	82"	28"	2"
10082 to 10084	23" 5-Step Ladder with .065", .109", .145" tubing	52, 72, 90 lbs 24, 33, 41kg	90"	28"	2"
10085 to 10087	29" 2-Step Ladder with .065", .109", .145" tubing	38, 56, 70 lbs 17, 25, 32kg	59"	39"	2"
10088 to 10090	29" 3-Step Ladder with .065", .109", .145" tubing	44, 64, 78 lbs 20, 29, 35kg	85"	39"	2"
10091 to 10093	29" 4-Step Ladder with .065", .109", .145" tubing	50, 70, 86 lbs 23, 32, 40kg	85"	39"	2"
10094 to 10096	29" 5-Step Ladder with .065", .109", .145" tubing	56, 78, 94 lbs 25, 35, 43kg	85"	39"	2"
10097 to 10099	35" 2-Step Ladder with .065", .109", .145" tubing	42, 62, 78 lbs 19, 28, 35kg	59"	39"	2"
10100 to 10102	35" 3-Step Ladder with .065", .109", .145" tubing	46, 70, 86 lbs 20, 32, 39kg	76"	40"	2"
10103 to 10105	35" 4-Step Ladder with .065", .109", .145" tubing	52, 78, 94 lbs 24, 35, 43kg	76"	40"	2"
10106 to 10108	35" 5-Step Ladder with .065", .109", .145" tubing	58, 84, 102 lbs 26, 38, 46kg	76"	40"	2"

**Notes:**

- Frames extend 5½" from the pool wall. Frame is secured to the pool deck with two anchor sockets on 20" centers. The lower end of the frame is bent to meet the pool wall and fitted two white rubber bumpers (WRB-100A for 1.90" and WRB-102A for 1.50").

\* Example 10073=.065", 10074=.109", 10075=.145" tubing

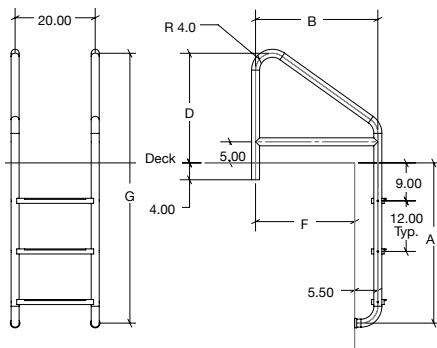
# Standard Crossbrace Plus Ladder

## Stainless Steel Tread Ladder



- Tubing: 1.90" OD
- Wall Thickness: .065", .109" or .145"
- Stainless Steel: 304
- Treads: LTDF-103 (Stainless Steel)
- Bends: 4" Radius
- Options: Powder-coating and SealedSteel Salt Friendly (rails only)
- Recommended anchors: AS-200B for 1.50" and AS-100B for 1.90" (order separately)
- Recommended escutcheons: EP-150 for 1.50" and EP-100F for 1.90" (order separately)

\* Call Customer Service at 800.824.4387 for availability of ladders of 1.50"OD tubing



stainless

MODEL NUMBER	A	B	D	F	G
10109 TO 10111	28.00	23.00	26.00	17.50	54.00
10112 TO 10114	40.00	23.00	26.00	17.50	66.00
10115 TO 10117	52.00	23.00	26.00	17.50	78.00
10118 TO 10120	64.00	23.00	26.00	17.50	90.00
10121 TO 10123	28.00	29.00	26.00	23.50	54.00
10124 TO 10126	40.00	29.00	26.00	23.50	66.00
10127 TO 10129	52.00	29.00	26.00	23.50	78.00
10130 TO 10132	64.00	29.00	26.00	23.50	90.00
10133 TO 10135	28.00	35.00	31.00	29.50	59.00
10136 TO 10138	40.00	35.00	31.00	29.50	71.00
10139 TO 10141	52.00	35.00	31.00	29.50	83.00
10142 TO 10144	64.00	35.00	31.00	29.50	95.00

Model No.	Description	Shipping			
		Weight	Length	Width	Height
10109 to 10111*	23" 2-Step Ladder with .065", .109", .145" tubing	36, 50, 66 lbs 16, 23, 30kg	61" 155cm	29" 74cm	2" 5cm
10112 to 10114	23" 3-Step Ladder with .065", .109", .145" tubing	42, 58, 74 lbs 20, 26, 34kg	70" 177cm	28" 71cm	2" 5cm
10115 to 10117	23" 4-Step Ladder with .065", .109", .145" tubing	46, 66, 82 lbs 21, 30, 37kg	82" 208cm	28" 71cm	2" 5cm
10118 to 10120	23" 5-Step Ladder with .065", .109", .145" tubing	52, 72, 90 lbs 24, 33, 41kg	90" 229cm	28" 71cm	2" 5m
10121 to 10123	29" 2-Step Ladder with .065", .109", .145" tubing	38, 56, 70 lbs 17, 25, 32kg	59" 150cm	39" 99cm	2" 5cm
10124 to 10126	29" 3-Step Ladder with .065", .109", .145" tubing	44, 64, 78 lbs 17, 25, 32kg	85" 150cm	39" 99cm	2" 5cm
10127 to 10129	29" 4-Step Ladder with .065", .109", .145" tubing	50, 70, 86 lbs 20, 29, 35kg	85" 216cm	39" 99cm	2" 5cm
10130 to 10132	29" 5-Step Ladder with .065", .109", .145" tubing	56, 78, 94 lbs 25, 35, 43kg	85" 216cm	39" 99cm	2" 5cm
10133 to 10135	35" 2-Step Ladder with .065", .109", .145" tubing	42, 62, 78 lbs 19, 28, 35kg	59" 150cm	39" 99cm	2" 5cm
10136 to 10138	35" 3-Step Ladder with .065", .109", .145" tubing	46, 70, 86 lbs 20, 32, 39kg	76" 193cm	40" 102cm	2" 5cm
10139 to 10141	35" 4-Step Ladder with .065", .109", .145" tubing	52, 78, 94 lbs 24, 35, 43kg	76" 193cm	40" 102cm	2" 5cm
10142 to 10144	35" 5-Step Ladder with .065", .109", .145" tubing	58, 84, 102 lbs 26, 38, 46kg	76" 193cm	40" 102cm	2" 5cm

Notes:

- Frames extend 5½" from the pool wall. Frame is secured to the pool deck with two anchor sockets on 20" centers. The lower end of the frame is bent to meet the pool wall and fitted two white rubber bumpers (WRB-100A for 1.90" and WRB-102A for 1.50").

\* Example 10109=.065", 10110=.109", 10111=.145" tubing