

6EC & 10EC SERIES Sump Pumps

Owner's Manual



Table of Contents

SAFETY INSTRUCTIONS	2
INTRODUCTION	4
Product Description	4
Specifications	4
INSTALLATION	5
Physical Installation	5
Electrical Connections	7
OPERATION TESTING	8
Testing Automatic Pump Operation	8
Testing Manual Pump Operation	9
MAINTENANCE	10
Periodic Service	10
Troubleshooting	11
Replacement parts	12
LIMITED WARRANTY	13

SAFETY INSTRUCTIONS

Hazard Messages

This manual includes safety precautions and other important information in the following formats:

⚠ DANGER
Indicates an imminently hazardous situation which, if not avoided, will result in death or serious injury.


⚠ WARNING
Indicates a potentially hazardous situation which, if not avoided, could result in death or serious injury.


⚠ CAUTION
Indicates a potentially hazardous situation which, if not avoided, could result in minor or moderate personal injury.

NOTICE
Indicates a potentially hazardous situation which, if not avoided could result in damage to equipment or other property.

IMPORTANT: Identifies information that controls correct assembly and operation of the product.

NOTE: Identifies helpful or clarifying information.

 This symbol alerts the user to the presence of dangerous voltage inside the product that might cause harm or electrical shock.

 This symbol alerts the user to the presence of hot surfaces that might cause fire or personal injury.

Before Getting Started


This equipment should be installed and serviced by technically qualified personnel. Failure to comply with national and local electrical and plumbing codes and within Franklin Electric recommendations may result in electrical shock or fire hazard, unsatisfactory performance, or equipment failure.

Know the product's application, limitations, and potential hazards. Read and follow instructions carefully to avoid injury and property damage. Do not disassemble or repair unit unless described in this manual.

Refer to product data plate(s) for additional precautions, operating instructions and specifications.

Failure to follow installation/operation procedures and all applicable codes may result in the following hazards:

⚠ DANGER

 **Risk of death, personal injury, or property damage due to explosion, fire, or electric shock.**

- Do not use to pump flammable or explosive fluids such as gasoline, fuel oil, kerosene, etc.
- Do not use in explosive atmospheres or hazardous locations as classified by the NEC, ANSI/NFPA70.
- Do not handle a pump or pump motor with wet hands or when standing on a wet or damp surface, or in water.
- When a pump is in its application, do not touch the motor, pipes, or water until the unit is unplugged or electrically disconnected.
- If the power disconnect is out of site, lock it in the open position and tag it to prevent unexpected application of power.
- If the disconnect panel is not accessible, contact the electric company to stop service.

⚠ WARNING



High voltages capable of causing severe injury or death by electrical shock are present in this unit.

- To reduce risk of electrical shock, disconnect power before working on or around the system. More than one disconnect switch may be required to de-energize the equipment before servicing.
- This product is supplied with a grounding conductor and grounding-type attachment plug. To reduce risk of electric shock, be certain that it is connected only to a properly grounded grounding-type receptacle. Do not remove the third prong from the plug. The third prong is to ground the pump to help prevent possible electric shock hazard. Do not use an extension cord.
- Check electrical outlets with a circuit analyzer to ensure power, neutral, and ground wires are properly connected. If not, a qualified, licensed electrician should correct the problem.
- Wire pump system for correct voltages.
- The pump has been evaluated for use with water only. Pump should only be used with liquids compatible with pump component materials. If the pump is used with liquids incompatible with the pump components, the liquid can cause failure to the electrical insulation system resulting in electrical shock.

NOTICE

Risk of damage to pump or other equipment.

- Do not use this pump for pumping sea water, beverages, acids, chemical solutions, or any other liquid that promotes corrosion as this can result in damage to the pump.
- Do not run pump dry. For optimal cooling and to prolong the motor life, the liquid level being pumped should normally be above the top of the pump housing.
- This pump is not suitable for pond applications.

⚠ CAUTION



Risk of bodily injury, electric shock, or equipment damage.

- This equipment must not be used by children or persons with reduced physical, sensory or mental abilities, or lacking in experience and expertise, unless supervised or instructed. Children may not use the equipment, nor may they play with the unit or in the immediate vicinity.
- Equipment can start automatically. Always unplug the pump power cord and disconnect the electrical power before servicing the pump or switch.
- An inoperative or malfunctioning pump could lead to flooding, resulting in personal injury or property damage.
- In applications where property damage and/or personal injury might result from an inoperative or leaking pump due to power outages, discharge line blockage, or any other reason, an automatic back-up system and/or an alarm should be installed.
- Do not run the pump dry. If run dry, the surface temperature of the pump will rise to a high temperature that could cause skin burns if touched and will cause serious damage to the pump.
- Do not oil the motor. The pump's motor housing is sealed, and contains a high-grade dielectric oil for heat transfer and lifetime lubrication. Use of other oils could cause serious electric shock and/or permanent damage to the pump.
- Operation of this equipment requires detailed installation and operation instructions provided in this manual for use with this product. Read entire manual before starting installation and operation.
- End User should receive and retain manual for future use.
- Keep safety labels clean and in good condition.
- Keep work area clean, well-lit, and uncluttered.
- Wear safety glasses while installing or performing maintenance on the pump.
- Do not wear loose clothing, jewelry, or anything that may be caught in the rotating parts. Tie up long hair and remove jewelry.

INTRODUCTION

Product Description

This submersible pump is for use in basins or lift stations and is suitable for pumping clear water or effluent gray water with up to 1/2" spherical semi-solids. Do not use the pump in applications where sewage or any other debris (gravel, sand, floating debris, etc.), abrasives, or corrosives are present.

This product has been carefully tested, inspected, and packaged to ensure safe delivery and operation. Please examine your item(s) carefully to ensure that no damage occurred during shipment. If damage has occurred, please contact the place of purchase. They will assist you in replacement or repair, if required.

The pump motor is equipped with an automatic resetting thermal protector and may restart unexpectedly. Protector tripping is an indication of motor overloading/overheating, which can be caused by application issues such as an obstructed pump impeller, switch stuck in the ON position, pump running dry, pump air-locked, pump short cycling, excessively high or low voltage supply, or possibly a pump, motor, bearings or seal that have reached the end of their useful life.

Specifications

Gallons/Liters per Minute, at Height						
Height	5 ft 1.5 m	10 ft 3 m	15 ft 4.5 m	20 ft 6.1 m	30 ft 9.1 m	Shut Off
6EC	53 GPM	50 GPM	42 GPM	34 GPM	-	28 feet
	201 LPM	189 LPM	159 LPM	129 LPM		8.5 meters
10EC	67 GPM	57 GPM	47 GPM	42	24 GPM	36 feet
	254 LPM	216 LPM	178 LPM	159 LPM	91 LPM	11 meters

INSTALLATION

Physical Installation

⚠ WARNING



Risk of severe injury or death by electrical shock.

- Always disconnect the electrical power before touching the pump or discharge.
- Check local electrical and building codes before installation. The installation must be in accordance with their regulations as well as the most recent National Electrical Code (NEC).

1. Pump must be installed in a suitable gas-tight basin that is at least 18" in diameter and 24" deep and vented in accordance with local plumbing codes.
2. Clean any debris from the basin and set the pump in the center of the basin (refer to ["Typical Installation" on page 6](#)). A solid bottom will prevent clogging of the pump from sand and dirt.
3. The pump must be placed on a hard, level surface. Never place the pump directly on clay, earth or gravel surfaces. These surfaces contain small stones, gravel, sand etc. that may clog or damage the pump and cause pump failure.
4. Do not attempt to restrict the intake side of these pumps. Restricting the intake may cause damage to the seal and may starve the pump. If reduced flow rates are required, place a valve on the discharge side of the pump. Or, if flexible vinyl tubing is used, a clamp can be used on the tubing to restrict the flow.
5. Connect discharge piping. Use pipe joint compound at all connections. Sump pumps can be piped to discharge into the house drainage system, to a dry well, splash block, or to a storm drain, depending on local plumbing codes. The discharge pipe should be as short as possible and contain as few elbows as possible. The discharge pipe should be the same diameter as the discharge size to reduce pipe friction losses. A smaller pipe will restrict capacity and reduce pump performance. The pump comes with a 1-1/2" female pipe thread discharge.
 - Support the pump and piping while assembling and when installed. Failure to do so may cause the piping to break, the pump to fail, motor bearing failures, etc.
 - Always install a union in the discharge line just above the basin cover to allow for easy removal of the pump for cleaning or repair.
6. A check valve must be used in the discharge line to prevent backflow of liquid into the basin. The check valve should be a free-flow valve that will easily pass solids.

NOTICE

Risk of property damage due to flooding.

- Do not install the check valve in a vertical position, as solids may settle in the valve and prevent the valve from opening on start-up. For best performance of the check valve when handling solids, install it in a horizontal position or at an angle of no more than 45°.
- When a check valve is used, drill a relief hole (1/8" or 3/16" in diameter) in the discharge pipe. This hole should be located below the floor line between the pump discharge and the check valve. Unless such a relief hole is provided, the pump could "air lock" and will not pump water even though it will run.

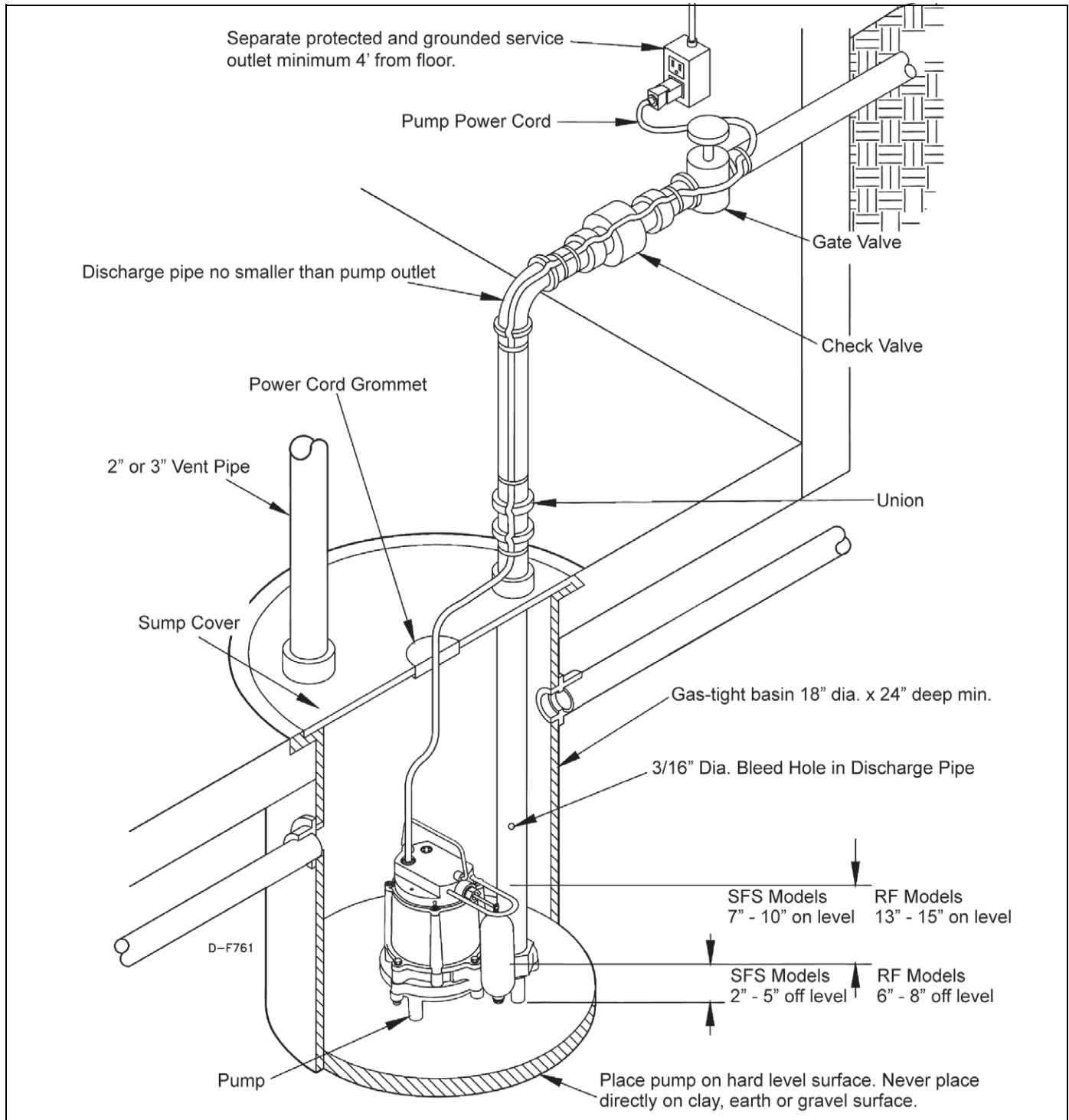
7. Tape the pump and switch cords to the discharge line with electrical tape. This will protect the cord from damage.

INSTALLATION

Physical Installation

8. Test the operation of the pump system by following the instructions in [“Operation Testing” on page 8](#) of this manual. Do not attempt to operate the pump without water; this will damage the seals and bearings and could result in permanent damage to the pump.
9. Place cover over basin. This cover will help prevent debris from entering the pit and will guard against accidental injury.

Typical Installation



Electrical Connections

⚠️ WARNING



Risk of severe injury or death by electrical shock.

- Always disconnect the electrical power before touching the pump or discharge.
- Check local electrical and building codes before installation. The installation must be in accordance with their regulations as well as the most recent National Electrical Code (NEC).
- The flexible jacketed cord assembly mounted to the pump must not be modified in any way, with the exception of shortening the cord to fit into a control panel. Any splice between the pump and the control panel must be made within a junction box mounted outside of the basin and comply with the National Electrical Code. Employ a licensed electrician.
- Do not use the power cord for lifting the pump.
- Do not remove the third prong from the plug, or cut plug from cord. These actions will void the warranty.
- Do not use an extension cord.

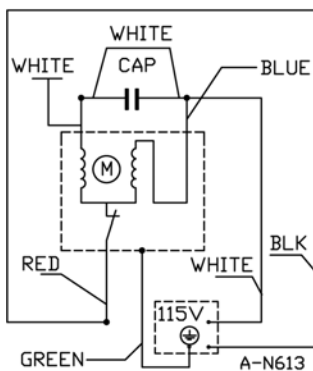
Check the pump label for proper voltage required. Do not connect to voltage other than that shown.

A ground fault circuit interrupter (GFCI) is required.

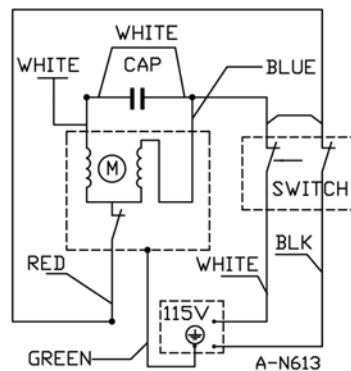
The pump should be connected or wired to its own circuit, with no other outlets or equipment in the circuit line. The fuses and circuit breaker should be of ample capacity in the electrical circuit.

Pump	HP	Voltage	Breaker Amps
6EC	1/3	115 V	15 A
10EC	1/2	115 V	15 A

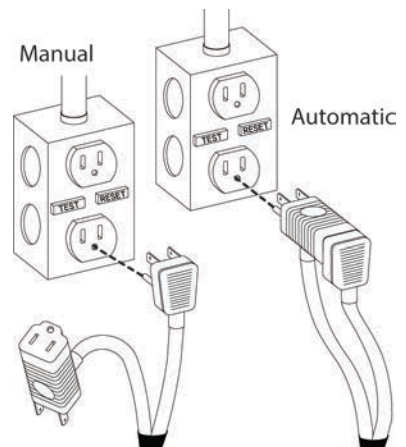
The 6EC-CIA-RF and 10EC-CIA-RF pumps have automatic switches with piggyback plugs on the switch cords. For automatic operation, plug the pump cord into the float switch cord. Plug the float switch cord (with pump cord attached) into the GFCI outlet.



MANUAL



AUTOMATIC



OPERATION TESTING

NOTICE

Risk of damage to pump or other equipment.

- Do not attempt to run the pump without water; this could result in permanent damage to the pump.
- If pump is run dry, it may damage pump and will void the warranty.

If the pump does not operate properly, consult [“Troubleshooting” on page 11](#). If the solution still cannot be found, please contact the place of purchase or an authorized service center.

Do not let the unit run dry (without liquid). It is designed to be cooled by pumping fluid. The seal may be damaged and the motor may fail if the pump is allowed to run dry.

If the unit is going to be idle for a period of time, follow the cleaning instructions outlined in the next section. Do not let the unit freeze. This may cause cracking or distortion that may destroy the unit.

Testing Automatic Pump Operation

The 6EC-CIA-SFS and 10EC-CIA-SFS automatic pumps are equipped with an integral float-operated mechanical switch. Automatic operation is achieved through the pump cord.

The 6EC-CIA-RF and 10EC-CIA-RF pumps have automatic switches with piggyback plugs on the switch cords. The pump must be plugged into piggyback switch cord for automatic operation.

When these pumps are installed in a basin with a sealed cover, switch operation cannot be observed. The basin cover will usually have a spare hole that is plugged with a rubber plug. This plug can be removed and switch operation can be observed.

To test system operation, follow these steps:

1. Plug the power cord into a grounded receptacle with voltage consistent with the pump voltage, as indicated on the pump nameplate.
2. Be sure the gate valve in the discharge line is open.
3. Run water into the basin until the pump is activated.

Do not attempt to run the pump without water; this could result in permanent damage to the pump.

4. Confirm that the pump and its control switch are functioning as intended.
5. Confirm that the ON/OFF levels are within specification, and confirm that no potential obstructions exist that could inhibit switch operation.
6. Confirm that there are no leaks in the pump discharge plumbing and main home drain pipe plumbing.

NOTE: It is normal for a stream of water to spray from the air bleed hole in the pump’s plumbing. (Water sprays out of a hole by a bolt on the base of the unit.) Confirm that this spray is captured within the basin.

7. Allow the pump to operate through several on/off cycles.

Testing Manual Pump Operation

⚠ CAUTION

Risk of bodily injury or damage to pump or other equipment.

- Manual, continuous pump operation should be used only for emergencies, or when a large volume of water is to be pumped. The pump must be continuously monitored during operation and disconnected from power before the pump runs dry.
- If an accessory float switch or other liquid level control is installed, refer to manufacturer's instructions. Failure to install control in compliance with national and local electrical and plumbing codes and within manufacturer's recommendations may result in electrical shock or fire hazard, unsatisfactory performance, or equipment failure.

The 6EC-CIM and 10EC-CIM manual pumps do not include an automatic liquid level control. The pump cord for these pumps can be plugged directly into a properly grounded receptacle with voltage consistent with the pump nameplate for continuous pump operation.

For automatic operation of a manual pump, a separate float switch or other liquid level control may be used. If a float switch or level control has been added, refer to [“Testing Automatic Pump Operation” on page 8](#) for testing operation.

To test manual pump operation, follow these steps:

1. Connect a discharge hose to the pump's discharge port.
2. Place pump into a basin or test reservoir.
3. Direct the opposite end of the discharge hose back into the basin or test reservoir so that the water discharged from the hose during testing will be contained within the basin or test reservoir. Secure the hose to prevent the water pressure created during testing from causing the hose to exit the basin or test reservoir.
4. If there is a valve on the discharge hose, be sure the valve is open.
5. Using a separate water source, fill the basin or test reservoir until the pump is fully submerged.
Do not attempt to run the pump without water; this could result in permanent damage to the pump.
Do not overfill the basin or test reservoir.
6. Plug the pump's power cord into a ground fault circuit interrupter (GFCI) receptacle with voltage consistent with the pump voltage, as indicated on the pump nameplate.
7. Confirm that the pump is functioning as intended.
NOTE: It is normal for a stream of water to spray from the air bleed hole in the pump's plumbing. (Water sprays out of a hole by a bolt on the base of the unit.) Confirm that this spray is captured within the basin.
8. If pump is not functioning as intended, unplug the pump's power cord from the receptacle and refer to “Troubleshooting” on page 11. If the solution still cannot be found, please contact the place of purchase or an authorized service center.
9. If the pump is functioning as intended, unplug the pump's power cord from the receptacle before attempting to remove it from the basin or test reservoir.

MAINTENANCE

⚠ WARNING



Risk of severe injury or death by electrical shock, high temperatures, or pressurized fluids.

- Always unplug the pump power cord in addition to removing the fuse or shutting off the circuit breaker before working on the pump or switch.
- Let pump cool for a minimum of 2 hours before attempting to service. Submersible pumps contain oil that becomes pressurized and hot under normal operating conditions.

NOTICE

Risk of damage to pump or other equipment.

- This unit is permanently lubricated. Oiling is not required. Do not open the sealed portion of the unit or remove housing screws.
- Do not remove the motor housing cover.
- Do not remove the impeller
- Warranty is void if the motor housing cover, impeller, or seals have been removed. Repairs on the motor or impeller require special tools.

Periodic Service

Inspect and test the pump system condition and operation every three months—more frequently in heavy use applications.

Let pump cool for a minimum of 2 hours before attempting to service. Submersible pumps contain oil that becomes pressurized and hot under normal operating conditions.

1. Check the power cords and electrical outlet for damage or corrosion. The power cord on these units cannot be replaced. In case of damage, the whole unit must be replaced.
2. Remove all debris (gravel, sand, floating debris, etc.) from the basin.
3. Check the pump system components (basin, pump, switch, etc.) for any build-up (sludge, sediment, minerals, etc.) that would inhibit functionality of the components. If significant, remove build-up or replace affected components.
4. Confirm that all flexible coupling hose clamps are fully engaged with plumbing and fully tightened.
5. Test operation of the pump system. Refer to [“Operation Testing” on page 8](#).
6. While the pump is running, make sure a stream of water is escaping from the air bleed hole. If not, clear the hole of any deposits or debris.

Cleaning Impeller and Volute

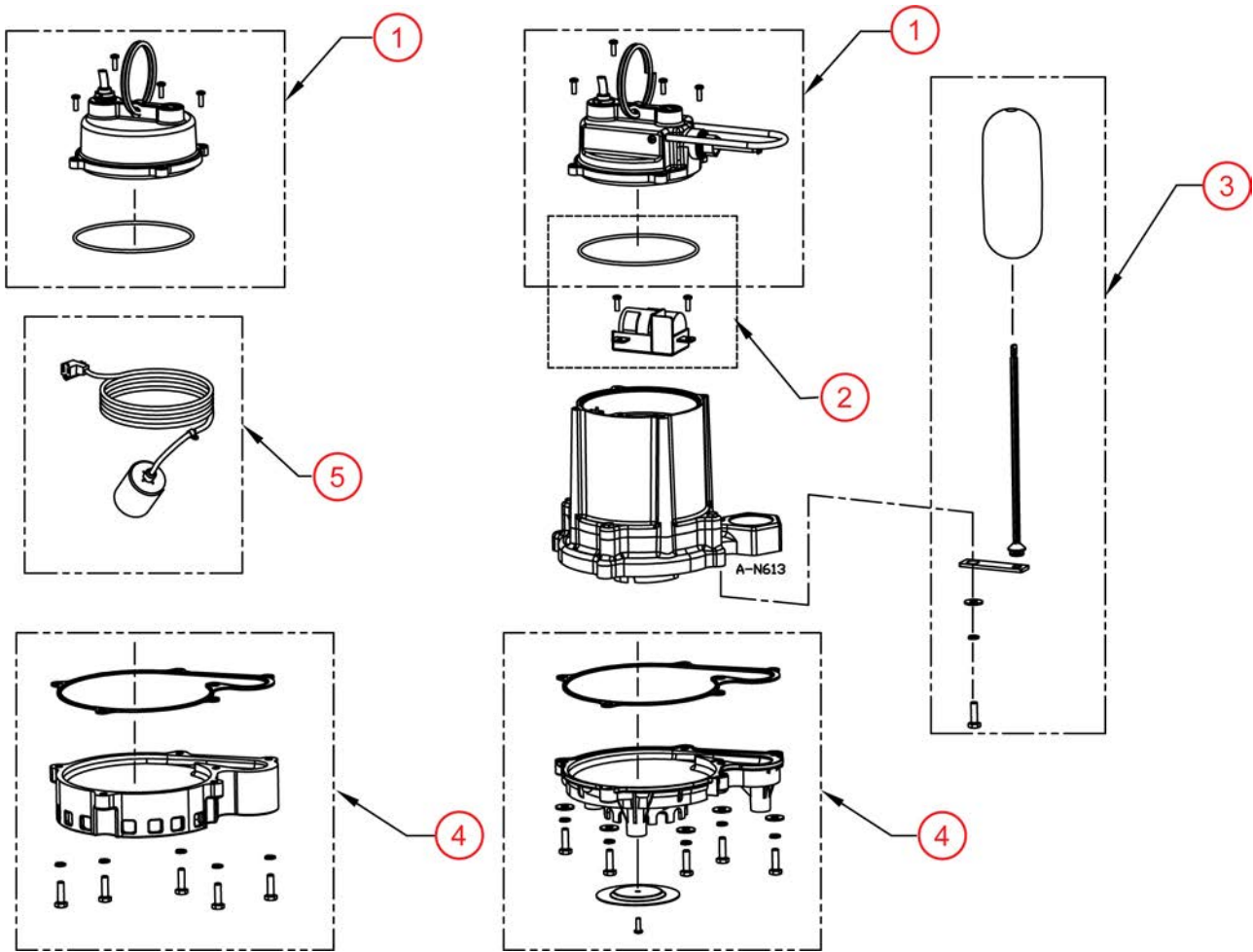
Periodic cleaning of the pump parts will prolong the life and efficiency of the pump. Refer to the assembly and disassembly of the pumping head.

1. Remove the five screws that hold the base to the volute, then separate the base from the volute. Do not remove the motor housing cover.
2. Remove the base and clean the impeller and the volute passage. Do not use strong solvents on the impeller. Do not remove the impeller.
3. Be sure the impeller turns freely after cleaning.
4. Attach the base to the volute and secure it with the five screws.

Troubleshooting

Problem	Probable Causes	Corrective Action
Pump does not turn on	Pump not plugged in.	Plug in pump.
	Circuit breaker off or fuse removed.	Turn on circuit breaker or replace fuse.
	Accumulation of trash on float.	Clean float.
	Float obstruction.	Check float path and provide clearance.
	Defective switch.	Replace switch.
	Defective motor.	Replace pump.
Pump will not shut off	Float or float rod obstruction.	Check float and float rod path and provide clearance.
	Pump is air locked.	Remove pump and clean air bleed hole.
	Liquid inflow matches pump capacity.	Larger pump required.
	Defective switch.	Replace switch.
Pump runs but does not discharge liquid	Check valve installed backwards.	Check flow indicating arrow on check valve body to ensure proper installation.
	Check valve stuck or plugged.	Remove check valve and inspect for proper operation.
	Lift too high for pump.	Check rated pump performance.
	Inlet to impeller plugged.	Pull pump and clean.
	Pump is air locked.	Remove pump and clean air bleed hole.
Pump does not deliver rated capacity	Lift too high for pump.	Check rated pump performance.
	Low voltage, speed too slow.	Check that supply voltage matches the nameplate rating.
	Impeller or discharge pipe is clogged.	Pull pump and clean. Check pipe for scale or corrosion.
	Impeller wear due to abrasives.	Replace pump.
Pump cycles continuously	No check valve in long discharge pipe allowing liquid to drain back into basin.	Install a check valve in discharge line.
	Check valve leaking.	Inspect check valve for correct operation.
	Basin too small for inflow.	Install larger basin.
Water sprays out of a hole by a bolt on the base of the unit.	This pump comes with a bleed hole that allows trapped air to escape from the pump, preventing air lock. Water spraying out of this hole is completely normal.	No corrective action is required.

Replacement parts



Number	Part Number	Description
1	110970101	Cover Assembly, 115 V, Automatic, with Switch, 20' Cord
1	110970102	Cover Assembly, 230 V, Automatic, with Switch, 20' Cord
1	110970103	Cover Assembly, 115 V, Manual, 20' Cord
1	110970104	Cover Assembly, 230 V, Manual, 20' Cord
2	110970201	Capacitor kit, 115 V, with Bracket, Seal Ring
2	110970202	Capacitor kit, 230 V, with Bracket, Seal Ring
3	110970301	Float Assembly with Stem Strap
4	110970401	Volute Base, Plastic, with Gasket
4	110970402	Volute Base, Cast Iron, with Gasket
5	599118	Remote Float Switch, 10' Cord, 115/230 V
5	599210	Remote Float Switch, 20' Cord, 115/230 V

SEWAGE & EFFLUENT 3 YEAR WARRANTY STATEMENT

LIMITED WARRANTY

THIS WARRANTY SETS FORTH THE COMPANY'S SOLE OBLIGATION AND PURCHASER'S EXCLUSIVE REMEDY FOR DEFECTIVE PRODUCT.

Franklin Electric Company, Inc. and its subsidiaries (hereafter "the Company") warrants that the products accompanied by this warranty are free from defects in materials or workmanship of the Company that exist at the time of sale by the Company and which occur or exist within the applicable warranty period. Any distributor, sub-distributor, recipient, end-user and/or consumer agrees that by accepting the receipt of the products, the distributor, sub-distributor, recipient, end user and/or consumer expressly agrees to be bound by the terms of the warranty set forth herein.

I. Applicable Warranty Period

The products accompanied by this warranty shall be covered by this Limited Warranty for a period of 36 months from the date of original purchase by the consumer. In the absence of suitable proof of purchase date, the warranty period of this product will begin to run on the product's date of manufacture.

II. Instructions Applicable to this Limited Warranty

1. Consumers wishing to submit a warranty claim must return the products accompanied by this warranty to the point of purchase for warranty consideration.
2. Upon discovery of a defect, any personal injury, property damage or any other type of resulting damage, if applicable, shall be reasonably mitigated to the extent possible.
3. At its discretion, the Company may inspect products either at its facilities or in the field, and after determination of a warranty claim, will, at its option, repair or replace defective parts. Repaired or replaced parts will be returned freight prepaid by the Company.
4. This warranty policy does not cover any labor or shipping charges. The Company shall not be liable for any costs or charges attributable to any product testing, maintenance, installation, repair or removal, or for any tools, supplies, or equipment needed to install, repair, or remove any product.

III. Limitations Applicable to this Limited Warranty

THIS WARRANTY DOES NOT APPLY TO ANY OF THE FOLLOWING:

1. Brushes, impeller or cam on models with brush-type motors and/or flex-vane impellers.
2. Any product that is not installed, applied, maintained, and used in accordance with the Company's published instructions, applicable codes, applicable ordinances and/or with generally accepted industry standards.
3. Any product that has been subject to misuse, misapplication, neglect, alteration, accident, abuse, tampering, acts of God (including lightning), acts of terrorism, acts of war, fire, improper storage or installation, improper use, improper maintenance or repair, damage or casualty, or to an excess of the recommended maximums as set forth in the product instructions.
4. Any product that is operated with any accessory, equipment, component, or part not specifically approved by the Company.
5. Use of replacement parts not sold by the Company, the unauthorized addition of non-Company products to other Company products, and the unauthorized alteration of Company products.
6. Products damaged by normal wear and tear, normal maintenance services and the parts used in connection with such service, or any other conditions beyond the control of the Company.
7. Any product that has been used for purposes other than those for which it was designed and manufactured.
8. Any use of the product where installation instructions and/or instructions for use were not followed.
9. Products connected to voltage other than indicated on nameplate.
10. Products where the pump was exposed to any of the following: sand, gravel, cement, grease, plaster, mud, tar, hydrocarbons, hydrocarbon derivatives (oil, gasoline, solvents, etc.) or other abrasive or corrosive substances.
11. Products in which the pump has been used for pumping of liquids above 140 °F.
12. Products in which the pump was allowed to operate dry (fluid supply cut off).
13. Products in which the sealed motor housing has been opened or the product has been otherwise dismantled by customer.
14. Products in which the cord has been cut to a length of less than three feet.

The Company reserves the right at any time, and from time to time, to make changes in the design and/or improvements upon its product without thereby imposing any obligation upon itself to make corresponding changes or improvements in or upon its products already manufactured and/or previously sold. The Company further reserves the right to substitute parts or components of substantially equal quality in any warranty service required by operation of this Limited Warranty.

This written Limited Warranty is the entire warranty authorized and offered by the Company. There are no warranties or representations beyond those expressed in this document.

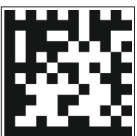
THIS WARRANTY AND REMEDY IS IN LIEU OF ALL OTHER WARRANTIES AND REMEDIES INCLUDING WITHOUT LIMITATION, WARRANTIES OF MERCHANTABILITY AND/OR FITNESS FOR A PARTICULAR PURPOSE, WHICH ARE HEREBY SPECIFICALLY DISCLAIMED AND EXPRESSLY EXCLUDED. CORRECTION OF NON-CONFORMITIES, IN THE MANNER AND FOR THE PERIOD OF TIME AS SET FORTH ABOVE, SHALL CONSTITUTE FULFILLMENT OF ALL LIABILITY OF THE COMPANY TO THE PURCHASER WHETHER BASED ON CONTRACT, NEGLIGENCE, OR OTHERWISE.

THE COMPANY SHALL NOT BE LIABLE FOR INCIDENTAL, CONSEQUENTIAL OR SPECIAL DAMAGES SUCH AS, BUT NOT LIMITED TO:

DAMAGE TO OR LOSS OF OTHER PROPERTY OR EQUIPMENT, LOSS OF USE OF EQUIPMENT, FACILITIES OR SERVICE, LOSS OF PROFIT OR SALES, COST OF PURCHASES OR REPLACEMENT GOODS, CLAIMS OF CUSTOMERS OF THE PURCHASER, FAILURE TO WARN AND/OR INSTRUCT, LOSS OF OTHER PRODUCTS, OR COSTS OF ENVIRONMENTAL REMEDIATION, OR DIMINUTION IN PROPERTY VALUE. THE REMEDIES OF THE PURCHASER SET FORTH HEREIN ARE EXCLUSIVE, AND THE LIABILITY OF THE COMPANY SHALL NOT, EXCEPT AS EXPRESSLY PROVIDED HEREIN, EXCEED THE PRICE OF THE PRODUCTS UPON WHICH SUCH LIABILITY IS BASED. DAMAGES AS SET FORTH IN THIS PARAGRAPH SHALL BE REASONABLY MITIGATED TO THE EXTENT POSSIBLE. THIS PARAGRAPH SHALL ALSO APPLY TO ALL DAMAGES RESULTING FROM CONDITIONS SET FORTH IN SECTION III ABOVE AND (1) DEFECTS IN PRODUCT PROTOTYPES OR REPLACEMENT PART PROTOTYPES THAT HAVE NOT BEEN PUT INTO PRODUCTION, CIRCULATED AND SOLD BY THE COMPANY, AND/OR (2) DEFECTS THAT WERE NOT FOUND AT THE TIME OF SALE DUE TO SCIENTIFIC AND TECHNOLOGICAL REASONS.

This Limited Warranty gives you specific legal rights. You may have other rights, which vary according to the applicable laws and regulations. Where any term of this warranty is prohibited by such laws, it shall be null and void, but the remainder of this warranty shall remain in full force and effect.

DISCLAIMER: Any oral statements about the product made by the seller, the Company, the representatives or any other parties, do not constitute warranties, shall not be relied upon by the user, and are not part of the contract for sale. Seller's and the Company's only obligation, and buyer's only remedy, shall be the replacement and/or repair by the Company of the product as described above. Before using, the user shall determine the suitability of the product for his intended use, and user assumes all risk and liability whatsoever in connection therewith.



For technical assistance, please contact:

800.701.7894 | littlegiant.com

Form 998913 Rev. 003 05/19

LittleGIANT[®]
Franklin Electric Co., Inc. | Oklahoma City, OK 73157-2010

SÉRIE 6EC & 10EC Pompes de puisard

Manuel du propriétaire

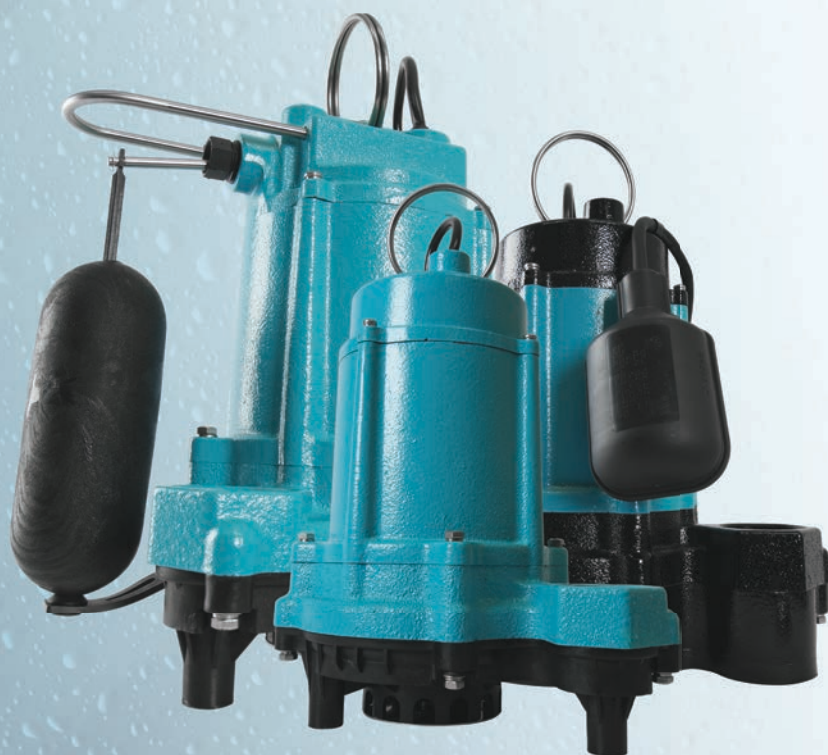


TABLE DES MATIÈRES

CONSIGNES DE SÉCURITÉ - - - - -	16
INTRODUCTION - - - - -	18
Description du produit - - - - -	18
Spécifications - - - - -	18
INSTALLATION - - - - -	19
Installation Physique - - - - -	19
Branchements électriques - - - - -	21
TEST DE FONCTIONNEMENT - - - - -	22
ENTRETIEN - - - - -	24
Service Périodique - - - - -	24
Dépannage - - - - -	25
Pièces de Remplacement - - - - -	26
GARANTIE LIMITÉE - - - - -	27

CONSIGNES DE SÉCURITÉ

Messages d'alertes

Ce manuel comprend des précautions de sécurité et d'autres renseignements importants présentés dans le format suivant:

DANGER

Indique une situation dangereuse imminente qui, si elle n'est pas évitée, entraînera la mort ou des blessures graves.

AVERTISSEMENT

Indique une situation potentiellement dangereuse qui, si elle n'est pas évitée, peut entraîner la mort ou des blessures graves.

ATTENTION

Indique une situation potentiellement dangereuse qui, si elle n'est pas évitée, peut entraîner des blessures corporelles mineures ou modérées.

AVIS

Indique une situation potentiellement dangereuse qui, si elle n'est pas évitée, peut entraîner des dommages à l'équipement ou matériels.

IMPORTANT: Présente l'information qui permet un assemblage et un fonctionnement adéquats du produit.

REMARQUE: Présente de l'information utile ou des précisions.



Ce symbole avise l'utilisateur de la présence d'une tension dangereuse dans le produit présentant un risque de blessures ou d'électrocution.



Ce symbole avise l'utilisateur de la présence de surfaces chaudes présentant un risque d'incendie ou de blessures corporelles.

Avant de Commencer

L'installation et l'entretien de l'équipement doivent être effectués par un employé techniquement qualifié. Le non-respect des codes électriques et codes de plomberie local et national et des recommandations de Franklin Electric pourrait mener à une électrocution ou un incendie, une mauvaise performance ou une défaillance de l'équipement.

Soyez conscient(e) de l'application, des limites et des risques potentiels du produit. Lire et suivre attentivement ces instructions pour éviter toute blessure ou tout dommage matériel. Ne pas désassembler ou réparer l'unité, sauf si cela est décrit dans le présent manuel.

Consulter la plaque signalétique du produit pour obtenir des instructions, précautions et des spécifications de fonctionnement supplémentaires.

Le non-respect des procédures d'installation/utilisation et de tous les codes applicables peut entraîner les risques suivants :

DANGER



Risque de mort, de blessure corporelle ou de dommage matériel en raison d'une explosion, d'un incendie ou d'une électrocution.

- Ne pas utiliser pour pomper des liquides inflammables ou explosifs comme l'essence, le mazout, le kérosène, etc.
- Ne pas utiliser dans une atmosphère explosive ou un emplacement dangereux selon le Code national de l'électricité, ANSI/NFPA70.
- Ne pas manipuler une pompe ou un moteur de pompe avec les mains mouillées ou debout sur une surface humide ou mouillée, ou dans de l'eau.
- Lorsqu'une pompe est en mode de fonctionnement, ne pas toucher le moteur, les tuyaux ou l'eau tant que l'unité n'a pas été débranchée ou déconnectée électriquement.
- Si le dispositif de coupure du circuit d'alimentation se situe hors site, le verrouiller en position ouverte et le consigner afin d'empêcher toute mise sous tension inopinée.
- Si le panneau du disjoncteur n'est pas accessible, contacter la compagnie d'électricité afin que le courant soit coupé.

⚠ AVERTISSEMENT



Cette unité contient des hautes tensions capables de causer de graves blessures ou la mort par électrocution.

- Pour réduire le risque de choc électrique, débranchez l'alimentation avant de travailler sur le système ou autour de celui-ci. Plusieurs interrupteurs d'isolement peuvent être nécessaires pour décharger l'équipement avant de procéder à son entretien.
- Ce produit est fourni avec un conducteur de mise à la terre et une fiche munie d'une attache de mise à la terre. Pour réduire le risque de décharge électrique, assurez-vous de seulement brancher la pompe à une prise électrique correctement mise à la terre. Ne retirez pas la troisième branche de la fiche. La troisième branche sert à la mise à la terre de la pompe, afin de prévenir tout risque possible de décharge électrique. N'utilisez pas un cordon de rallonge.
- Vérifier les prises électriques à l'aide d'un analyseur de circuit pour s'assurer que les fils de phase, de neutre et de terre sont correctement branchés. Si ce n'est pas le cas, le problème doit être corrigé par un électricien qualifié agréé.
- Raccorder le système de pompe en respectant la tension indiquée.
- La pompe a été évaluée pour être utilisée avec de l'eau uniquement. La pompe doit être utilisée uniquement avec des liquides compatibles avec les matériaux de ses composants. Si la pompe est utilisée avec des liquides incompatibles avec les composants de la pompe, le liquide peut provoquer une défaillance du système d'isolation électrique entraînant un choc électrique.

AVIS

Risque de dommages à la pompe ou d'autres équipements.

- Ne pas utiliser la pompe pour pomper de l'eau de mer, des boissons, de l'acide, des solutions chimiques ou tout autre liquide qui favoriserait la corrosion, ce qui pourrait endommager la pompe.
- Ne pas faire tourner la pompe à sec. Pour obtenir un refroidissement optimal et pour prolonger la durée de vie de la pompe, le niveau de liquide pompé doit normalement dépasser le dessus du boîtier de la pompe.
- Cette pompe n'est pas prévue pour être utilisée dans un étang.

⚠ ATTENTION



Risque de blessures corporelles ou de dommages matériels.

- Cet équipement ne doit pas être utilisé par des enfants ou des personnes ayant des capacités physiques, sensorielles ou mentales réduites ou un manque d'expérience, à moins qu'elles ne soient supervisées ou dirigées. Les enfants ne doivent pas utiliser l'équipement ni jouer avec le produit ou à proximité de celui-ci.
- L'équipement peut démarrer automatiquement. Toujours débrancher le cordon d'alimentation de la pompe et couper l'alimentation électrique avant d'entretenir la pompe ou l'interrupteur.
- Une pompe inopérante ou défectueuse pourrait entraîner une inondation, des blessures corporelles ou des dommages matériels.
- Dans les applications où des dommages matériels et/ou des blessures corporelles pourraient découler du non-fonctionnement ou d'une fuite de la pompe en raison de pannes de courant, d'une obstruction de la ligne d'évacuation ou de toute autre raison, un système de sauvegarde automatique et/ou une alarme doivent être installés.
- Ne pas faire fonctionner la pompe à sec. En cas de fonctionnement à sec, la température à la surface de la pompe augmentera à un niveau susceptible de causer des brûlures cutanées en cas de contact et entraînera de graves dommages à votre pompe.
- Ne pas graisser le moteur. Le carter moteur de la pompe est scellé et renferme une huile diélectrique de qualité supérieure pour la transmission de chaleur et la lubrification à vie. L'utilisation d'autres huiles peut causer de graves électrocutions et/ou des dommages permanents de la pompe.
- Le fonctionnement de cet équipement requiert les instructions d'installation et de fonctionnement détaillées fournies dans le présent manuel. Lire tout le manuel avant d'installer et d'utiliser le produit.
- L'utilisateur final doit recevoir et conserver le manuel pour consultation ultérieure.
- Garder les étiquettes de sécurité propres et en bon état.
- Garder la zone de travail propre, bien éclairée et dégagée.
- Porter des lunettes de sécurité lors de l'installation ou de l'entretien de la pompe.
- Ne pas porter de vêtements amples, de bijoux ou tout autre accessoire qui pourrait se prendre dans les pièces mobiles de l'équipement. Attacher les cheveux longs et retirer les bijoux.

INTRODUCTION

Description du produit

INTRODUCTION

Description du produit

Cette pompe immergée est prévue pour être utilisée dans des bassins ou des stations de relèvement. Elle peut être utilisée pour pomper de l'eau claire ou des effluents eau grise contenant des semi-solides de forme sphérique jusqu'à 12,7 mm (1/2 po) de diamètre. Ne pas utiliser cette pompe dans des applications où d'autres débris (gravier, sable, débris flottants, etc.), des abrasifs ou des matières corrosives sont présents.

Ce produit a été soigneusement testé, inspecté et emballé pour en assurer la livraison et le fonctionnement sécuritaires. Veuillez examiner votre ou vos articles soigneusement afin de vous assurer qu'aucun dommage ne s'est produit pendant l'expédition. Dans le cas contraire, veuillez communiquer avec le vendeur. Il vous aidera à obtenir un remplacement ou une réparation, le cas échéant.

Le moteur de la pompe est muni d'un protecteur thermique à réinitialisation automatique et peut redémarrer subitement. Le déclenchement du protecteur est une indication que le moteur est surchargé ou surchauffe, ce qui peut être causé par des problèmes d'application, comme un impulseur de pompe obstrué, un interrupteur coincé en position de mise en marche, une pompe qui fonctionne à vide, une pompe bloquée par de l'air, un cycle court de pompe, une alimentation à tension excessivement élevée ou faible, ou possiblement la fin de la durée de vie utile d'une pompe, d'un moteur, de paliers ou d'un joint d'étanchéité.

Spécifications

Gallons par minute, à la hauteur/Litres par minute, à la hauteur						
La taille	5 pieds 1.5 mètres	10 pieds 3 mètres	15 pieds 4.5 mètres	20 pieds 6.1 mètres	30 pieds 9.1 mètres	Coupure
6EC	53 GPM	50 GPM	42 GPM	34 GPM	-	28 pieds 8.5 mètres
	201 LPM	189 LPM	159 LPM	129 LPM		
10EC	67 GPM	57 GPM	47 GPM	42	24 GPM	36 pieds 11 mètres
	254 LPM	216 LPM	178 LPM	159 LPM	91 LPM	

INSTALLATION

Installation Physique

⚠ AVERTISSEMENT



Risque de blessure grave ou de mort par électrocution.

- Débranchez toujours l'alimentation électrique avant de toucher à la pompe ou au refoulement.
- Avant l'installation, vérifiez les codes locaux de l'électricité et du bâtiment. L'installation doit respecter leur réglementation, de même que le plus récent Code national de l'électricité (CNE).

1. La pompe doit être installée dans un bassin étanche au gaz approprié d'au moins 18 po (45,7 cm) de diamètre et 24 po (61,0 cm) de profondeur, et ventilé conformément aux codes locaux de plomberie.
2. Enlevez tout débris dans le bassin et placez la pompe au centre de ce dernier (se référer à ["Installation Typique" à la page 20](#)). Un fond solide empêchera la pompe d'être obstruée par du sable et des saletés.
3. La pompe doit être placée sur une surface dure et de niveau. Ne placez jamais la pompe directement sur une surface d'argile, de terre ou de gravier. Ces surfaces comportent de petites roches, du gravier, du sable, etc., qui peuvent obstruer ou endommager la pompe et provoquer sa défaillance.
4. N'essayez pas de restreindre le côté prise de ces pompes. La restriction de la prise peut endommager le joint d'étanchéité et sous-alimenter la pompe. S'il est nécessaire de réduire les débits, une soupape peut être installée sur le côté refoulement de la pompe. Ou si un tuyau flexible en vinyle est utilisé, une bride peut être utilisée sur le tuyau pour restreindre le débit.
5. Connectez la tuyauterie de refoulement. Utilisez une pâte à joint de tuyau sur toutes les connexions. Le tuyau de refoulement doit être aussi court que possible et comporter le moins de coudes possible. Le tuyau de refoulement doit être du même diamètre que celui du refoulement, afin de réduire les pertes par frottement. Un tuyau plus petit restreint la capacité et réduit le rendement de la pompe. La pompe d'égout est livrée avec un refoulement à filetage femelle de 1.5 po (38 mm).
 - Soutenez la pompe et la tuyauterie au cours de l'assemblage et de l'installation. Un manquement pourrait entraîner la rupture des tuyaux, la défaillance de la pompe, la défaillance des paliers du moteur, etc.
 - Installez toujours un raccord union dans le conduit de refoulement, juste au-dessus du couvercle de bassin, afin de permettre le retrait facile de la pompe à des fins de nettoyage ou de réparation.
6. Un clapet anti-retour doit être utilisé dans le conduit de refoulement pour empêcher un refoulement du liquide dans le bassin. Le clapet anti-retour doit être une vanne à débit direct qui laisse facilement passer les solides.

AVIS

Risque de dommages matériels dus aux inondations.

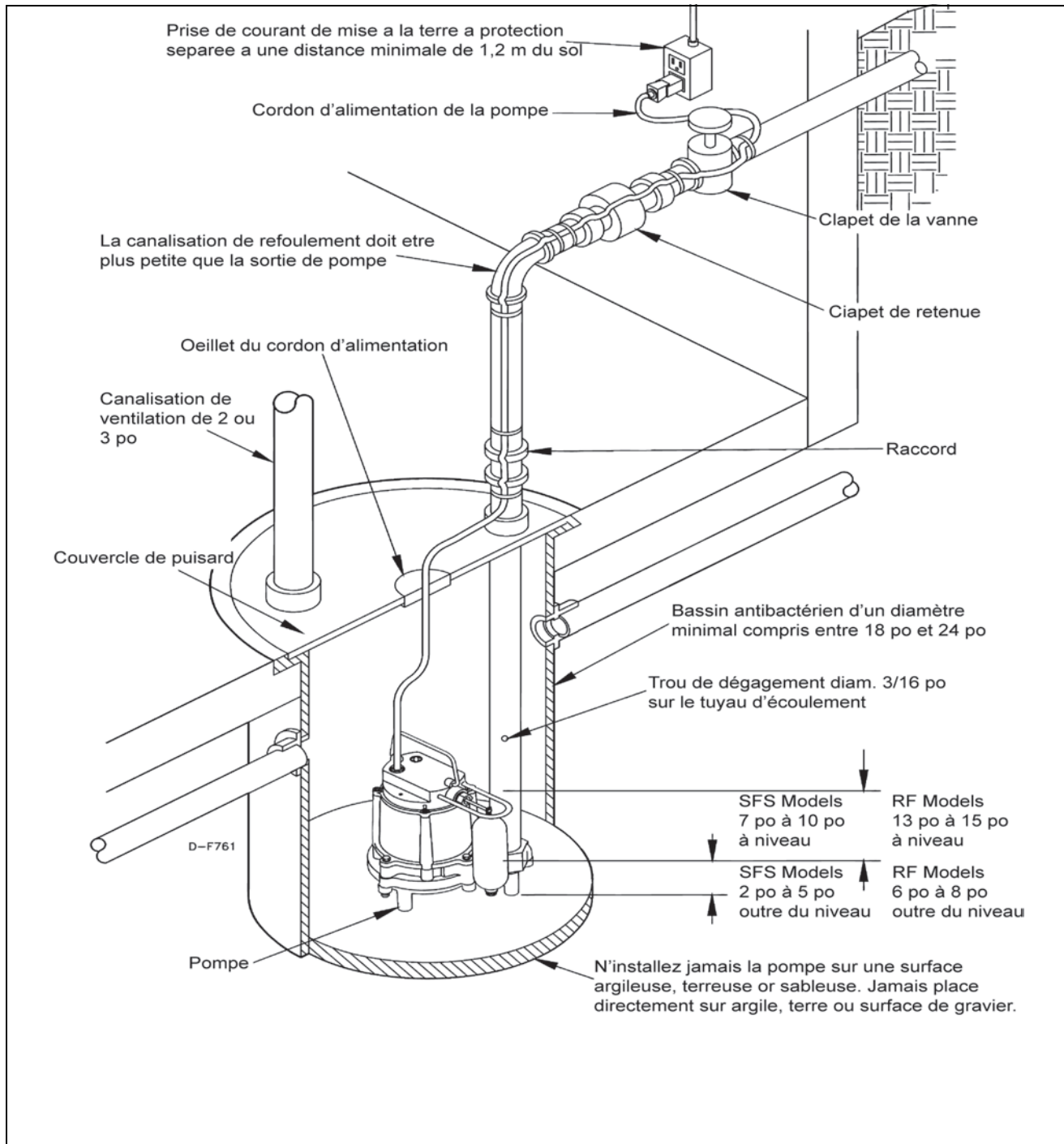
- N'installez pas le clapet antiretour en position verticale, car des solides peuvent se déposer dans le clapet et empêcher le clapet d'ouverture au moment du démarrage. Pour un rendement optimal du clapet anti-retour dans la gestion des solides, installez dans une position horizontale ou à un angle d'au plus 45°.
- Lorsqu'un clapet anti-retour est utilisé, percez un orifice de sûreté (de 1/8 po ou 3/16 po [3,2 mm ou 4,8 mm] de diamètre) dans le tuyau de refoulement. Cet orifice doit être situé sous le niveau du plancher, entre le refoulement de la pompe et le clapet anti-retour. Si un tel orifice de sûreté n'est pas percé, la pompe peut être « bloquée par de l'air » et ne pas pomper d'eau, même si elle est en marche.

INSTALLATION

Installation Physique

7. Fixez les cordons d'interrupteur et de pompe au conduit de refoulement avec du ruban d'électricien. Cela aidera à protéger le cordon de tout dommage.
8. Testez le fonctionnement du système en suivant les instructions présentées dans "[Test de fonctionnement](#)" à la page 22 de ce manuel. Ne tentez pas de faire fonctionner la pompe sans eau; cela endommagerait les joints d'étanchéité et les paliers, et risquerait de provoquer des dommages permanents à la pompe.
9. Placez le couvercle par-dessus le bassin. Ce couvercle aide à empêcher des débris d'entrer dans le bassin et protège contre les blessures accidentelles.

Installation Typique



Branchements électriques

⚠️ AVERTISSEMENT



Risque de blessure grave ou de mort par électrocution.

- Débranchez toujours l'alimentation électrique avant de toucher à la pompe ou au refoulement.
- Avant l'installation, vérifiez les codes locaux de l'électricité et du bâtiment. L'installation doit respecter leur réglementation, de même que le plus récent Code national de l'électricité (CNE).
- Le cordon flexible enveloppé monté sur la pompe ne peut être modifié d'aucune manière que ce soit. Il peut uniquement être raccourci si cela est nécessaire pour le faire rentrer dans le panneau de commande. Toute épissure entre la pompe et le panneau de commande doit être réalisée dans une boîte de jonction montée à l'extérieur du bassin, en conformité avec le code national de l'électricité. Faire appel à un électricien agréé.
- Ne pas soulever la pompe à l'aide du cordon électrique.
- Ne pas retirer la troisième broche de la fiche d'alimentation électrique ni couper la fiche du cordon. Ces actions annuleront la garantie.
- Ne pas utiliser de rallonge.

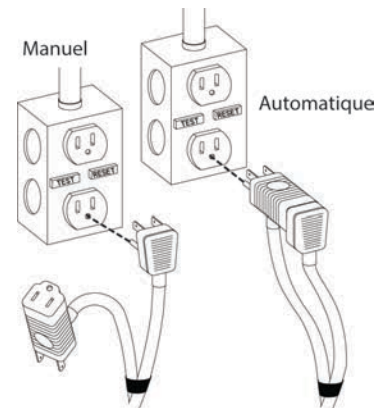
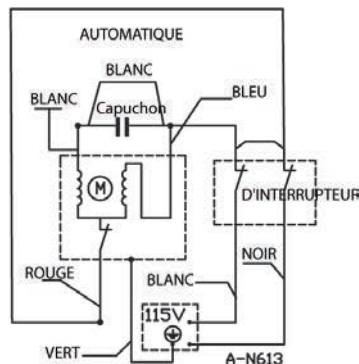
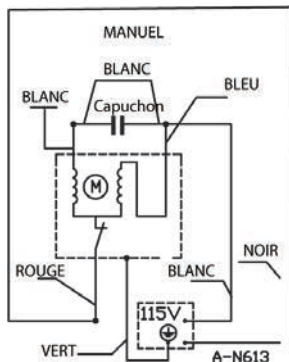
Vérifiez l'étiquette de la pompe pour la tension appropriée requise. Ne branchez pas à une tension autre que celle indiquée.

Un disjoncteur de fuite de terre (GFCI) est requis.

La pompe doit être connectée ou branchée sur son propre circuit, sans autre prise ou équipement sur la ligne du circuit. Les fusibles et les disjoncteurs doivent être d'une capacité suffisante dans le circuit électrique.

Pompe	HP	Tension	Intensité de disjoncteur
6EC	1/3	115 V	15 A
10EC	1/2	115 V	15 A

Les pompes 6EC-CIA-RF et 10EC-CIA-RF sont munies d'interrupteurs automatiques dont le cordon est doté d'une fiche gigogne. Pour un fonctionnement automatique, brancher le cordon de la pompe dans le cordon de l'interrupteur à flotteur. Brancher le cordon de l'interrupteur à flotteur (avec le cordon de la pompe raccordé) dans la prise DDFT.



TEST DE FONCTIONNEMENT

AVIS

Risque de dommages à la pompe ou d'autres équipements.

- Ne pas essayer de faire fonctionner la pompe sans eau, au risque de l'endommager définitivement.
- Le fonctionnement à sec de la pompe peut endommager celle-ci et annuler la garantie.

Si la pompe ne fonctionne pas correctement, se référer à ["Dépannage" à la page 25](#). Si le problème ne peut toujours pas être identifié, veuillez communiquer avec le vendeur.

Ne laissez pas l'unité fonctionner à vide (sans liquide). Elle est conçue pour être refroidie par le fluide pompé. Vous pouvez endommager le joint d'étanchéité et faire défaillir le moteur si la pompe fonctionne à vide.

Si l'unité doit être laissée inutilisée pendant une certaine période, suivez les instructions de nettoyage présentées dans la prochaine section. Ne laissez pas l'unité geler. Cela peut causer des fissures ou des distorsions qui peuvent détruire l'unité.

Test de Fonctionnement de Pompe Automatique

Les pompes automatiques 6EC-CIA-SFS and 10EC-CIA-SFS sont munies d'un interrupteur mécanique à flotteur intégré. Le fonctionnement automatique est obtenu par l'intermédiaire du cordon de pompe.

Les pompes 6EC-CIA-RF and 10EC-CIA-RF sont équipées d'interrupteurs automatiques avec fiches de courant jumelles sur les cordons d'alimentation de l'interrupteur. La pompe doit être branchée au cordon d'alimentation avec fiche de courant jumelle pour fonctionner automatiquement.

Lorsque ces pompes sont installées dans un bassin avec un couvercle scellé, le fonctionnement de l'interrupteur ne peut pas être observé. Le couvercle de bassin comporte habituellement un trou de recharge qui peut être bouché avec un bouchon en caoutchouc. Ce bouchon peut être retiré pour observer le fonctionnement de l'interrupteur.

Pour tester le fonctionnement du système, procéder comme suit :

1. Branchez le cordon d'alimentation dans une prise mise à la terre dont la tension est cohérente avec la tension de la pompe indiquée sur la plaque signalétique de celle-ci.
2. Assurez-vous que le robinet-vanne du conduit de refoulement est ouvert.
3. Faites couler de l'eau dans le bassin jusqu'à ce que la pompe principale démarre.

Ne pas essayer de faire fonctionner la pompe sans eau, au risque de l'endommager définitivement.

4. Confirmez que la pompe et son interrupteur de commande fonctionnent comme ils le devraient.
5. Assurez-vous que les niveaux MARCHE-ARRÊT sont conformes aux spécifications et qu'aucune obstruction éventuelle n'est susceptible d'entraver le fonctionnement de l'interrupteur.
6. Confirmez l'absence de toute fuite dans la plomberie de refoulement de la pompe et dans le tuyau de drainage principal de la maison.

REMARQUE: Il est normal qu'un filet d'eau s'échappe de l'orifice de prise d'air de la plomberie de la pompe. (L'eau gicle de l'orifice d'un boulon situé à la base de l'appareil.) Assurez-vous que ce filet est recueilli à l'intérieur du bassin.

7. Laissez la pompe fonctionner pendant plusieurs cycles de marche/arrêt.

Test de Fonctionnement de Pompe Manuelle

⚠ ATTENTION

Risque de blessure corporelle ou de dommage à la pompe ou d'autres équipements.

- Il convient de faire fonctionner la pompe en mode manuel et continu seulement en cas d'urgence ou lorsqu'un volume d'eau important doit être pompé. La pompe doit être surveillée en permanence pendant son fonctionnement et débranchée du circuit électrique avant qu'elle ne tourne à sec.
- Si un interrupteur à flotteur auxiliaire ou tout autre dispositif de contrôle du niveau de liquide est installé, consulter les instructions du fabricant. Le non-respect des codes locaux et nationaux de l'électricité et de la plomberie, ainsi que des recommandations du fabricant, lors de l'installation de ces dispositifs de contrôle, pourrait causer un risque d'électrocution ou d'incendie, une mauvaise performance ou une défaillance de l'équipement.

Les pompes manuelles 6EC-CIM ne sont pas munies d'un contrôle automatique du niveau de liquide. Le cordon de ces pompes peut être branché directement dans une prise électrique correctement mise à la terre, avec une tension cohérente à celle indiquée sur la plaque signalétique de la pompe pour un fonctionnement en continu de la pompe.

Pour un fonctionnement automatique d'une pompe manuelle, un interrupteur à flotteur séparé ou un autre dispositif de contrôle du niveau de liquide doit être utilisé. Si un commutateur float ou un contrôle de niveau a été ajouté, se référer à "[Test de Fonctionnement de Pompe Automatique](#)" à la page 22 pour tester l'opération.

Pour tester la pompe manuelle opération, procédez comme suit:

1. Raccorder un tuyau d'évacuation à l'orifice de refoulement de la pompe.
2. Placer la pompe dans un bassin ou un réservoir d'essai.
3. Diriger l'extrémité opposée du tuyau de refoulement dans le bassin ou le réservoir d'essai de sorte que l'eau évacuée du tuyau pendant l'essai soit contenue dans le bassin ou le réservoir d'essai. Fixez le tuyau pour éviter que la pression d'eau créée pendant le test ne provoque la sortie du tuyau du bassin ou du réservoir d'essai.
4. S'il y a une valve sur le tuyau de refoulement, s'assurer que la vanne est ouverte.
5. À l'aide d'une source d'eau séparée, remplissez le bassin ou le réservoir d'essai jusqu'à ce que la pompe soit complètement immergée.
 - Ne pas essayer de faire fonctionner la pompe sans eau, au risque de l'endommager définitivement.
 - Ne remplissez pas trop le bassin ou le réservoir d'essai.
6. Branchez le cordon d'alimentation de la pompe dans un réceptacle de disjoncteur de fuite de terre (GFCI) avec une tension compatible avec la tension de la pompe, comme indiqué sur la plaque signalétique de la pompe.
7. Vérifiez que la pompe fonctionne comme prévu.

REMARQUE: Il est normal qu'un filet d'eau s'échappe de l'orifice de prise d'air de la plomberie de la pompe. (L'eau gicle de l'orifice d'un boulon situé à la base de l'appareil.) Assurez-vous que ce filet est recueilli à l'intérieur du bassin.

8. Si la pompe ne fonctionne pas comme prévu, débranchez le cordon d'alimentation de la pompe de la prise et référez-vous à "Dépannage" à la page 11. Si la solution n'est toujours pas trouvée, veuillez contacter le lieu d'achat ou un centre de service agréé.
9. Si la pompe fonctionne comme prévu, débranchez le cordon d'alimentation de la pompe de la prise de courant avant d'essayer de le retirer du bassin ou du réservoir d'essai.

ENTRETIEN

▲ AVERTISSEMENT



Risque de blessure grave ou de mort par électrocution, température élevée ou liquide sous pression.

- Avant d'effectuer des travaux sur la pompe ou l'interrupteur, vous devez toujours débrancher le cordon d'alimentation de la pompe, en plus de retirer le fusible ou de couper le disjoncteur.
- Laisser la pompe refroidir pendant au moins deux heures avant toute tentative d'entretien. Les pompes immergées contiennent de l'huile qui devient chaude et sous pression dans des conditions normales d'utilisation.

AVIS

Risque de dommages à la pompe ou d'autres équipements.

- Cette unité est lubrifiée en permanence. Aucun graissage n'est nécessaire. Ne pas ouvrir la partie scellée de l'unité ni retirer les vis du boîtier.
- Ne pas retirer le couvercle du boîtier du moteur.
- Ne pas retirer le rotor.
- Le retrait du couvercle du boîtier du moteur, du rotor ou des joints entraînera l'annulation de la garantie. La réparation du moteur ou du rotor nécessite l'utilisation d'outils spéciaux.

Service Périodique

Inspectez et testez l'état et le fonctionnement du système de puisard tous les trois mois (plus fréquemment en cas d'utilisation intensive).

Laisser la pompe refroidir pendant au moins deux heures avant toute tentative d'entretien. Les pompes immergées contiennent de l'huile qui devient chaude et sous pression dans des conditions normales d'utilisation.

1. Inspectez les cordons d'alimentation et la prise électrique pour la présence de dommages ou de corrosion. Le cordon d'alimentation de ces unités ne peut pas être remplacé. En cas de dommages, l'unité au complet doit être remplacée.
2. Retirez tous les débris (gravier, sable, débris flottants, etc.) du bassin de puisard.
3. Passez en revue les composants du système de pompe (bassin, pompe, interrupteur, etc.) afin de détecter la présence de toute accumulation (boues, sédiments, minéraux, etc.) susceptible de nuire au bon fonctionnement des composants. Si ces accumulations sont importantes, retirez-les ou remplacez les composants touchés.
4. Confirmez que les colliers de serrage de tous les raccords flexibles sont correctement fixés et bien serrés.
5. Testez le fonctionnement du système. Se référer à "[Test de fonctionnement](#)" à la page 22.
6. Pendant le fonctionnement de la pompe, assurez-vous que de l'eau s'échappe de l'orifice de prise d'air. Sinon, retirez tous les dépôts et débris qui se trouveraient dans l'orifice.

Nettoyage de l'impulseur et de la volute

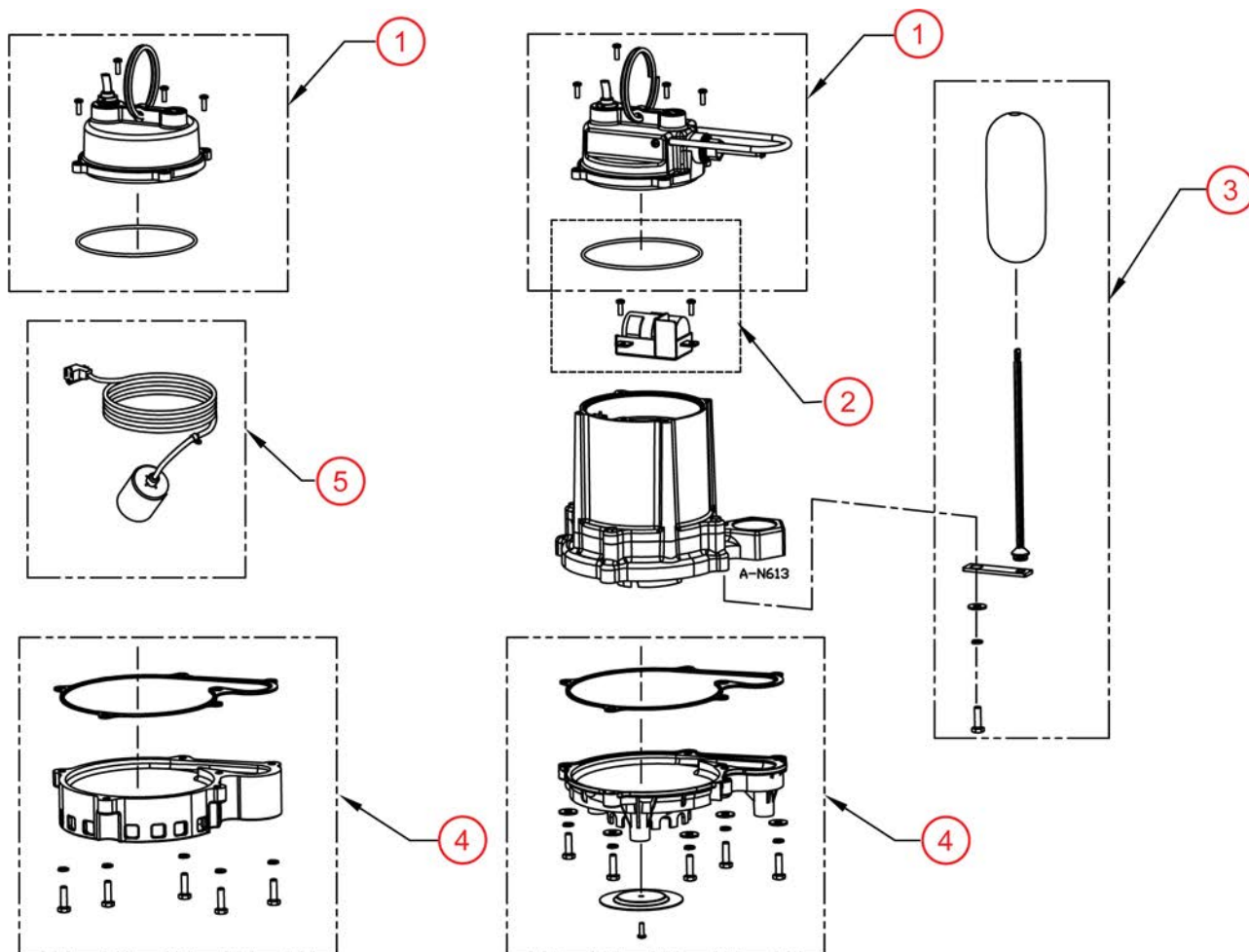
Le nettoyage périodique des composants de la pompe prolongera la durée de vie et l'efficacité de la pompe.

1. Retirez les cinq boulons et les cinq rondelles qui fixent la base à la volute, puis séparez la base de la volute. Ne pas retirer le couvercle du boîtier du moteur.
2. Retirez la base et nettoyez le passage de volute et l'impulseur. N'utilisez pas de solvants forts sur l'impulseur. Ne pas retirer le rotor.
3. Assurez-vous que l'impulseur tourne librement après le nettoyage.
4. Placez la base sur la volute et fixez-la avec les cinq vis.

Dépannage

Problème	Causes probables	Mesure Corrective
La pompe ne démarre pas	La pompe n'est pas branchée.	Branchez la pompe.
	Disjoncteur éteint ou fusible retiré.	Activez le disjoncteur ou remplacez le fusible.
	Accumulation de déchets sur le flotteur.	Nettoyez le flotteur.
	Obstruction du flotteur.	Vérifiez la trajectoire du flotteur et assurez son dégagement
	Interrupteur défectueux.	Remplacer l'interrupteur.
	Moteur défectueux.	Remplacer la pompe.
La pompe ne s'arrête pas	Obstruction du flotteur ou de sa tige.	Vérifiez la trajectoire du flotteur et de sa tige et assurez leur dégagement.
	La pompe est bloquée par de l'air.	Enlever la pompe et nettoyer le trou de purge d'air.
	Le débit d'entrée de liquide atteint la capacité de la pompe.	Une pompe de plus grande taille est requise.
	Interrupteur défectueux.	Remplacer l'interrupteur.
La pompe fonctionne, mais ne refoule pas de liquide	Le clapet anti-retour est installé à l'envers.	Vérifiez la flèche qui indique le débit sur le corps du clapet anti-retour, afin de vous assurer que ce clapet est installé correctement.
	Clapet anti-retour coincé ou obstrué.	Retirez le clapet anti-retour et inspectez-le pour vérifier son bon fonctionnement.
	L'élévation est trop élevée pour la pompe.	Vérifiez le tableau des valeurs nominales.
	L'aspiration vers l'impulseur est obstruée.	Retirez la pompe et nettoyez-la.
	La pompe est bloquée par de l'air.	Enlever la pompe et nettoyer le trou de purge d'air.
La pompe ne fonctionne pas à sa capacité nominale	L'élévation est trop élevée pour la pompe.	Vérifiez le rendement nominal de la pompe.
	Faible tension, vitesse trop lente.	Vérifiez la tension appropriée d'alimentation, pour vous assurer qu'elle correspond à la tension sur la plaque signalétique.
	Le tuyau de refoulement ou l'impulseur est obstrué.	Retirez la pompe et nettoyez-la. Vérifiez le tuyau pour la présence d'entartrage ou de corrosion.
	Usure de l'impulseur à cause d'éléments abrasifs.	Remplacer la pompe.
La pompe effectue continuellement des cycles	Aucun clapet anti-retour n'est installé sur le long tuyau de refoulement afin de permettre au liquide de retourner dans le puisard.	Installez un clapet anti-retour sur le conduit de refoulement.
	Fuite du clapet anti-retour.	Inspectez le clapet anti-retour pour vérifier son bon fonctionnement.
	Bassin trop petit pour le débit entrant.	Installez un bassin de plus grande taille.
L'eau gicle de l'orifice d'un boulon situé à la base de l'appareil	Cette pompe est livrée avec un orifice de purge qui permet à l'air emprisonné de s'échapper de la pompe évitant ainsi un bouchon d'air.	Aucune mesure corrective n'est requise.

Pièces de Remplacement



Nombre	Numéro de pièce	Description
1	110970101	Assemblée de couverture, 115 V, automatiques, avec le commutateur, corde 20'
1	110970102	Assemblée de couverture, 230 V, automatiques, avec le commutateur, corde 20'
1	110970103	Assemblée de couverture, 115 V, manuel, corde 20'
1	110970104	Assemblée de couverture, 230 V, manuel, corde 20'
2	110970201	Kit de condensateur, 115 V, avec la parenthèse, anneau du joint
2	110970202	Kit de condensateur, 230 V, avec la parenthèse, anneau du joint
3	110970301	Assemblée de flotteur de tige courroie
4	110970401	Base Volute, plastique, avec lagarniture
4	110970402	Base Volute, fer de fonte, avec la garniture
5	599118	Le commutateur de flotteur à distance, 10' attachent, 115/230 V
5	599210	Le commutateur de flotteur à distance, 20' attachent, 115/230 V

GARANTIE LIMITÉE

LA PRÉSENTE GARANTIE ÉNONCE LA SEULE OBLIGATION DE LA SOCIÉTÉ ET LE RECOURS EXCLUSIF DE L'ACHETEUR POUR UN PRODUIT DÉFECTUEUX.

Franklin Electric Company, Inc et ses filiales (ci-après « la Société ») garantit que les produits accompagnés de cette garantie sont exempts de défauts de matériaux ou de fabrication de la Société existant au moment de la vente par la Société et qui se produisent ou existent pendant la période de garantie applicable. Tout distributeur, sous-distributeur, destinataire, utilisateur final et/ou consommateur, en acceptant la réception des produits, convient que le distributeur, sous-distributeur, destinataire, utilisateur final et/ou consommateur accepte expressément d'être lié par les termes de la garantie qui y sont énoncés.

I. Période de Garantie Applicable

Les produits accompagnés par cette garantie doivent être couverts par cette Garantie Limitée pour une période de 36 mois à compter de la date d'achat originale par le consommateur. En l'absence de preuves concrètes de la date d'achat, la période de garantie de ce produit commencera à partir de la date de fabrication du produit.

II. Instructions applicables à cette garantie limitée

1. Les consommateurs qui désirent soumettre une réclamation de garantie doivent retourner les produits accompagnés de cette garantie au point d'achat, pour étude de garantie.
2. En cas de découverte d'un défaut, toute blessure, tout dommage matériel et tout autre type de dommage qui en résultent, le cas échéant, seront mitigés de manière raisonnable et dans les limites possibles.
3. À sa discrétion, l'Entreprise peut inspecter les produits à ses installations ou sur le terrain; et après étude d'une réclamation de garantie, peut à sa discrétion réparer ou remplacer les pièces défectueuses. La livraison des pièces réparées ou remplacées sera prépayée par l'Entreprise.
4. Cette politique de garantie ne couvre pas de quelconques frais de main-d'oeuvre ou d'expédition. L'Entreprise ne pourra pas être tenue responsable de tout coût ou frais associés au test, à la maintenance, à l'installation, à la réparation ou au retrait d'un produit, ou à tout outil ou équipement ou à toute fourniture nécessaires pour installer, réparer ou retirer un produit.

III. Restrictions applicables à cette garantie limitée

CETTE GARANTIE NE S'APPLIQUE À AUCUN DES CAS SUIVANTS :

1. Balais impulseur ou came sur les modèles avec des moteurs à balai ou des impulseurs à aubes flexibles.
2. Tout produit qui n'est pas installé, appliqué, entretenu et utilisé conformément aux instructions publiées par l'Entreprise, aux codes en vigueur, aux règlements applicables et aux normes généralement acceptées par l'industrie.
3. Tout produit qui a été soumis à une mauvaise utilisation ou application, à la négligence, à une altération, à un accident, à un abus, à du vandalisme, à des actes de la nature (y compris la foudre), à des actes terroristes, à des actes de guerre, au feu, à une installation ou à un entreposage inappropriés, à une utilisation inappropriée, à une maintenance ou à une réparation inappropriées, à des dommages et à des accidents, ou au dépassement des maximums recommandés dans les instructions du produit.
4. Tout produit qui est utilisé avec tout accessoire, équipement ou composant ou toute pièce qui ne sont pas explicitement approuvés par l'Entreprise.
5. L'utilisation de pièces de rechange qui ne sont pas vendues par l'Entreprise, l'ajout non autorisé de produits de tiers à d'autres produits de l'Entreprise et l'altération non autorisée de produits de l'Entreprise.
6. Produits endommagés par l'usure normale, les services de maintenance normale et les pièces utilisées avec de tels services, ou toute autre condition au-delà du contrôle de l'Entreprise.
7. Tout produit qui a été utilisé à des fins autres que celles pour lesquelles il a été conçu et fabriqué.
8. Toute utilisation du produit alors que les instructions d'installation ou d'utilisation n'ont pas été respectées.
9. Produits branchés à une tension autre que celle indiquée sur la plaque signalétique.
10. Produits où la pompe a été exposée à l'un des éléments suivants : sable, gravier, ciment, graisse, plâtre, boue, goudron, hydrocarbures, dérivés d'hydrocarbure (huile, essence, solvants, etc.) ou autres substances abrasives ou corrosives.

11. Produits dont la pompe a été utilisée pour pomper des liquides à une température supérieure à 140 °F (60 °C).
12. Produits dont la pompe a fonctionné à vide (alimentation en fluide coupée).
13. Produits dont le boîtier scellé du moteur a été ouvert, ou qui ont été démontés d'une quelconque façon par le client.
14. Produits dont le cordon a été coupé à une longueur de moins de 3 pi (91 cm).

L'Entreprise se réserve le droit en tout temps, et de temps à autre, d'apporter des modifications à la conception ou des améliorations à ses produits, sans par ce fait même s'imposer de quelconques obligations d'effectuer des modifications ou améliorations correspondantes à ses produits déjà fabriqués ou vendus. L'Entreprise se réserve également le droit de substituer des pièces ou des composants de qualité similaire dans le cadre de tout service de garantie exigé par l'exécution de cette garantie limitée.

Cette garantie limitée écrite constitue la garantie complète autorisée et offerte par l'Entreprise. Il n'existe pas de garanties ou de déclarations autres que celles stipulées dans le présent document.

CETTE GARANTIE ET CES RECOURS REMPLACENT TOUTES LES AUTRES GARANTIES ET TOUS LES AUTRES RECOURS, Y COMPRIS SANS S'Y LIMITER, DES GARANTIES DE VALEUR MARCHANDE OU D'ADÉQUATION À UNE UTILISATION PARTICULIÈRE, QUI SONT PAR LA PRÉSENTE EXPLICITEMENT DÉCLINÉES ET EXCLUES. LA CORRECTION DE TOUTES LES NON-CONFORMITÉS, DE LA MANIÈRE ET POUR LA PÉRIODE DE TEMPS ÉNONCÉES CI-DESSUS, CONSTITUERA L'EXÉCUTION COMPLÈTE DE TOUTES LES OBLIGATIONS DE L'ENTREPRISE ENVERS L'ACHETEUR, QUE CELA SOIT FONDÉ SUR UN CONTRAT, LA NÉGLIGENCE OU AUTRE.

L'ENTREPRISE NE POURRA PAS ÊTRE TENUE RESPONSABLE DES DOMMAGES ACCESSOIRES, INDIRECTS OU SPÉCIAUX TELS QUE, SANS S'Y LIMITER :

UN DOMMAGE OU LA PERTE DE TOUTE AUTRE PROPRIÉTÉ OU DE TOUT AUTRE ÉQUIPEMENT, LA PERTE DE JOUISSANCE DE L'ÉQUIPEMENT, DES INSTALLATIONS OU DU SERVICE, LA PERTE DE PROFITS OU DE VENTES, LE COÛT D'ACHATS OU DE BIENS DE REMPLACEMENT, LES RÉCLAMATIONS DE CLIENTS DE L'ACHETEUR, LE DÉFAUT D'AVERTIR OU DE FOURNIR DES INSTRUCTIONS, LA PERTE D'AUTRES PRODUITS OU LES COÛTS D'ASSAINISSEMENT ENVIRONNEMENTAL OU LA BAISSÉ DE LA VALEUR DE LA PROPRIÉTÉ. LES RECOURS DE L'ACHETEUR ÉNONCÉS DANS LA PRÉSENTE SONT EXCLUSIFS, ET LA RESPONSABILITÉ DE L'ENTREPRISE NE POURRA PAS, SAUF MENTION EXPLICITE DANS LA PRÉSENTE, DÉPASSER LE PRIX DES PRODUITS AUXQUELS CETTE RESPONSABILITÉ S'APPLIQUE. LES DOMMAGES ÉNONCÉS DANS CE PARAGRAPHE SERONT MITIGÉS DE MANIÈRE RAISONNABLE ET DANS LES LIMITES POSSIBLES. CE PARAGRAPHE S'APPLIQUERA ÉGALEMENT À TOUS LES DOMMAGES CAUSÉS PAR DES CONDITIONS ÉNONCÉES DANS LA SECTION III CI-DESSUS ET (1) LES DÉFAUTS DANS LES PROTOTYPES DE PRODUITS OU LES PROTOTYPES DE PIÈCES DE REMPLACEMENT QUI N'ONT PAS ÉTÉ MIS EN PRODUCTION, DISTRIBUÉS ET VENDUS PAR L'ENTREPRISE OU (2) LES DÉFAUTS QUI N'ONT PAS ÉTÉ DÉCOUVERTS AU MOMENT DE LA VENTE POUR DES RAISONS SCIENTIFIQUES OU TECHNOLOGIQUES.

Cette garantie limitée vous confère des droits particuliers. Vous pourriez bénéficier d'autres droits, selon les lois et les règlements en vigueur. Lorsqu'une disposition de cette garantie est interdite par de telles lois, elle sera considérée comme nulle et non avenue, mais les autres dispositions de cette garantie demeureront pleinement applicables.

AVIS DE NON-RESPONSABILITÉ : Les déclarations orales concernant le produit effectuées par le vendeur, la Société, les représentants ou toutes autres parties, ne constituent pas une garantie. L'utilisateur ne doit pas s'y fier, et elles ne font pas partie du contrat de vente. La seule obligation du vendeur et de la Société, et l'unique recours de l'acheteur, est le remplacement et/ou la réparation du produit par la Société selon les modalités décrites précédemment. Avant l'utilisation, l'utilisateur doit déterminer l'aptitude du produit pour son utilisation prévue, et l'utilisateur assume tous les risques et la responsabilité dans n'importe quel cadre avec lequel le produit sera associé.



Pour l'aide technique, entrez s'il vous plaît en contact :

800.701.7894 | littlegiant.com

Form 998913 Rév. 003 05/19

LittleGIANT®

Franklin Electric Co., Inc. | Oklahoma City, OK 73157-2010

SERIE 6EC & 10EC Bombas de sumidero

Manual para propietario

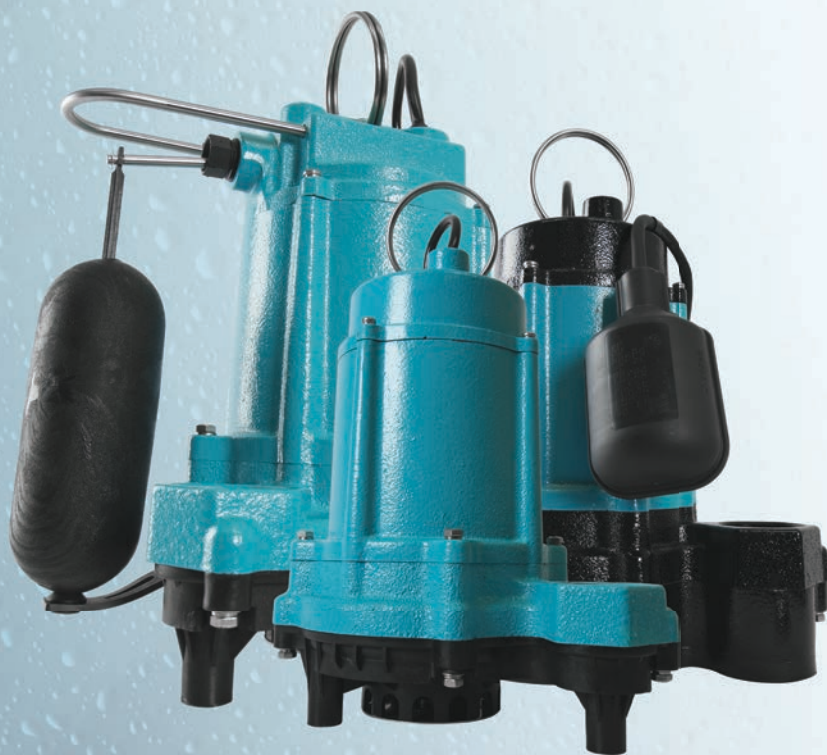


TABLA DE CONTENIDO

INSTRUCCIONES SOBRE SEGURIDAD	- -	30
INTRODUCCIÓN	- - - - -	32
Descripción del producto	- - - - -	32
Especificaciones	- - - - -	32
INSTALACIÓN	- - - - -	33
Installation física	- - - - -	33
Conexiones eléctricass	- - - - -	35
PRUEBA DE OPERACIÓN	- - - - -	36
MANTENIMIENTO	- - - - -	38
Servicio periódico	- - - - -	38
Solución de problemas	- - - - -	39
Lista de Partes	- - - - -	40
GARANTÍA LIMITADA	- - - - -	43

INSTRUCCIONES SOBRE SEGURIDAD

Mensajes de peligro

Este manual incluye precauciones de seguridad y otra información importante en los siguientes formatos:

⚠ PELIGRO
Indica una situación inminentemente peligrosa que, de no evitarse, provocará una muerte o lesiones graves.

⚠ ADVERTENCIA
Indica una situación potencialmente peligrosa que, de no evitarse, puede provocar una muerte o lesiones graves.

⚠ PRECAUCIÓN
Indica una situación potencialmente peligrosa que, de no evitarse, puede provocar lesiones menores o moderadas.

AVISO
Indica una situación potencialmente peligrosa que, de no evitarse, puede provocar daños al equipo u otros bienes.

IMPORTANTE: Identifica información que controla el ensamblaje y la operación correctos del producto.

NOTA: Identifica información útil o aclaratoria.



Este símbolo alerta al usuario sobre la presencia de un voltaje peligroso dentro del producto que podría provocar lesiones o descargas eléctricas.



Este símbolo alerta al usuario sobre la presencia de superficies calientes que podrían provocar incendios o lesiones personales.

Antes de empezar

La instalación y el mantenimiento de este equipo deben estar a cargo de personal con capacitación técnica. El hecho de no cumplir con los códigos eléctricos nacionales y locales y con las recomendaciones de Red Lion puede provocar peligros de descarga eléctrica o incendio, desempeños insatisfactorios o fallas del equipo.

Conozca las aplicaciones, las limitaciones y los peligros potenciales del producto. Lea y siga las instrucciones cuidadosamente para evitar lesiones y daños materiales. No desarme ni repare la unidad salvo que esté descrito en este manual.

Consulte las placas de características del producto para obtener instrucciones de operación, precauciones y especificaciones adicionales.

El hecho de no seguir los procedimientos de instalación/operación y todos los códigos aplicables puede ocasionar los siguientes peligros:

⚠ PELIGRO

⚠ Riesgo de muerte, lesiones personales o daños materiales por explosión, incendio o descarga eléctrica.

- No usar para bombear líquidos inflamables o explosivos como gasolina, fueloil, kerosene, etc.
- No usar en atmósferas explosivas ni lugares peligrosos según la clasificación de la NEC, ANSI/NFPA70.
- No manipule la bomba ni el motor de la bomba con las manos mojadas o parado sobre una superficie mojada o húmeda o en agua.
- Cuando haya una bomba en su aplicación, no toque el motor, las tuberías ni el agua sino hasta haber desenchufado o eléctricamente desconectado la unidad.
- Si la desconexión de alimentación está fuera del sitio, bloquéela en la posición abierta y etiquétela para evitar una conexión inesperada de la alimentación.
- Si no se tuviera acceso al panel de desconexión, comuníquese con la compañía eléctrica para interrumpir el servicio.

⚠️ ADVERTENCIA



Esta unidad tiene voltajes elevados que son capaces de provocar lesiones graves o muerte por descarga eléctrica.

- Para reducir el riesgo de descarga eléctrica, desconecte la energía antes de trabajar en el sistema o cerca de él. Es posible que sea necesario más de un interruptor de desconexión para cortar la energía del equipo antes de realizarle un mantenimiento.
- Este producto viene con un conductor a tierra y un enchufe con conexión a tierra. Para reducir el riesgo de descarga eléctrica, asegúrese que se conecte solo a un receptáculo del tipo con conexión a tierra que esté conectado apropiadamente a tierra. La tercer punta es para conectar la bomba a tierra con el fin de evitar posibles peligros de descarga eléctrica. No retire la tercera punta del enchufe. No use un cable de extensión.
- Revise los tomacorrientes con un analizador de circuito para garantizar que los cables de alimentación, neutro y a tierra estén conectados correctamente. De lo contrario, un electricista calificado y autorizado deberá rectificar el problema.
- Cablee el sistema de bombeo para los voltajes correctos.
- La bomba únicamente ha sido evaluada para su uso con agua. La bomba solo se debe utilizar con líquidos compatibles con los materiales que componen la bomba. Si la bomba se utiliza con líquidos incompatibles con los componentes de la bomba, el líquido puede causar fallas en el sistema de aislamiento eléctrico, lo que resulta en una descarga eléctrica.

AVISO

Riesgo de daños a bomba u otros equipos.

- No use esta bomba para bombear agua de mar, bebidas, ácidos, soluciones químicas u otros líquidos que provoquen corrosión, ya que eso puede dañar la bomba.
- No haga funcionar vacía la bomba. Para una refrigeración óptima y prolongar la vida útil del motor, el nivel de líquido que se bombee debería estar comúnmente por encima de la parte superior de la carcasa de la bomba.
- Esta bomba no es apta para aplicaciones en estanques.

⚠️ PRECAUCIÓN



Riesgo de lesiones corporales, descargas eléctricas o daños al equipo.

- Este equipo no deben usarlo niños ni personas con capacidades físicas, sensoriales o mentales reducidas, ni aquellos que carezcan de experiencia y capacitación, salvo que estén bajo supervisión o instrucción. Los niños no podrán usar el equipo ni jugar con la unidad o en las cercanías inmediatas.
- El equipo puede encenderse en forma automática. Siempre desenchufe el cable eléctrico de la bomba y desconecte la alimentación eléctrica antes de realizar el mantenimiento de la bomba o del interruptor.
- Una bomba que no funciona o funciona mal podría provocar una inundación y provocar lesiones personales o daños materiales.
- En aplicaciones donde una bomba no operativa o con fugas podría producir daños materiales o lesiones personales debido a interrupciones en el suministro eléctrico, obstrucciones en la línea de descarga u otros motivos, se debe instalar un sistema de respaldo automático y/o una alarma.
- No haga funcionar vacía la bomba. Si la hace funcionar vacía, la temperatura de la superficie de la bomba aumentará al punto que podría provocar quemaduras si se la toca y le causará serios daños a su bomba.
- No aplique aceite al motor. La carcasa del motor de la bomba está sellada, y contiene un aceite dieléctrico de primera calidad para ofrecer transferencia de calor y lubricación de por vida. El uso de otros aceites puede provocar descargas eléctricas graves o daños permanentes a la bomba.
- La operación de este equipo exige instrucciones detalladas para su instalación y operación que se encuentran en este manual para su uso con este producto. Lea la totalidad del manual antes de comenzar la instalación y la operación.
- El usuario final debe recibir y conservar el manual para usos futuros.
- Mantenga las etiquetas de seguridad limpias y en buenas condiciones.
- Mantenga el área de trabajo limpia, bien iluminada y ordenada.
- Use gafas de seguridad mientras realiza la instalación o el mantenimiento de la bomba.
- No use vestimenta suelta, joyas ni nada que pueda quedar atrapado en las piezas giratorias. Átese el cabello largo y quítese las joyas.

INTRODUCCIÓN

Descripción del producto

INTRODUCCIÓN

Descripción del producto

Esta bomba sumergible está diseñada para uso en cuencas o estaciones de bombeo y es apta para bombear agua limpia o efluentes con materia semisólida esférica de hasta 1/2". No use la bomba en aplicaciones donde haya otro tipo de desechos (gravilla, arena, desechos flotantes, etc.), materiales abrasivos o materiales corrosivos.

Este producto pasa por un proceso exhaustivo de pruebas, inspección y embalaje para garantizar una entrega y un funcionamiento seguros. Examine los artículos cuidadosamente para garantizar que no hayan sufrido daños durante el envío. Si ha sufrido daños, comuníquese con el lugar donde lo compró. Recibirá ayuda para efectuar reemplazos o reparaciones, en caso de ser necesario.

El motor de la bomba tiene un protector térmico con reajuste automático y puede reiniciarse en cualquier momento. El disparo del protector indica la sobrecarga/recalentamiento del motor, lo cual puede ser causado por problemas de aplicación como un impulsor de bomba obstruido, un interruptor atascado en la posición ON (Encendido), una bomba que está funcionando en seco, aire bloqueado en la bomba, ciclaje corto de la bomba, suministro de voltaje excesivamente alto o bajo, o posiblemente una bomba, motor, rodamientos o sellos que han alcanzado el final de su vida útil.

Especificaciones

Galones por minuto, a altura Litros por minuto, a altura						
Altura	5 pies 1.5 metros	10 pies 3 metros	15 pies 4.5 metros	20 pies 6.1 metros	30 pies 9.1 metros	Apagado
6EC	53 GPM	50 GPM	42 GPM	34 GPM	-	28 pies
	201 LPM	189 LPM	159 LPM	129 LPM		8.5 metros
10EC	67 GPM	57 GPM	47 GPM	42	24 GPM	36 pies
	254 LPM	216 LPM	178 LPM	159 LPM	91 LPM	11 metros

INSTALACIÓN

Installation fisica

▲ADVERTENCIA



Riesgo de lesiones graves o muerte por descarga eléctrica.

- Siempre desconecte la alimentación eléctrica antes de tocar la bomba o descargue.
- Verifique los códigos locales de electricidad y de edificación antes de la instalación. La instalación se debe llevar a cabo de acuerdo con las regulaciones, así como también con el Código Eléctrico Nacional vigente (National Electrical Code, NEC).

1. Se debe instalar la bomba en un recipiente hermético contra gas adecuado que tenga al menos 18 pulg. (46 cm) de diámetro y 24 pulg. (61 cm) de profundidad, y que esté ventilado de acuerdo con los códigos locales de plomería.
2. Limpie los residuos del recipiente y coloque la bomba en el centro del recipiente (referirse a [“Instalación típica” en la página 34](#)). Un fondo sólido evitará que la bomba se obstruya con arena y suciedad.
3. La bomba debe colocarse en una superficie nivelada y dura. Nunca coloque la bomba directamente sobre arcilla, tierra o superficies de grava. Estas superficies contienen pequeñas piedras, gravas, arena, etc. que pueden obstruir o dañar la bomba y causar fallas en esta.
4. No intente restringir el lateral de acceso de estas bombas. Al restringir el acceso puede ocasionar daños en el sello y en la bomba. Si requiere de velocidades de flujo reducidas, coloque una válvula en el lateral de descarga de la bomba. O bien, si se usan tuberías flexibles de vinilo, se puede usar una abrazadera en las tuberías para restringir el flujo.
5. Conecte las tuberías de descarga. Use un compuesto de unión de tubo en todas las conexiones. Las bombas del sumidero se pueden canalizar para descargar en el sistema de drenaje de la casa, a un pozo seco, a una canaleta o a un desagüe pluvial, según los códigos locales de plomería. Las tuberías de descarga deben ser lo más cortas posible y contener la menor cantidad de codos posible. Las tuberías de descarga deben tener el mismo diámetro que el tamaño de descarga para reducir las pérdidas de fricción de la tubería. Las tuberías más pequeñas restringirán la capacidad y reducirán el rendimiento de la bomba. Las tuberías del sumidero/efluentes vienen con una descarga de rosca de la tubería hembra de 1-1/2" (3,81 cm).
 - Sostenga la bomba y la tubería durante el ensamblaje y cuando estén instaladas. Si esto no se realiza, la tubería se puede romper, la bomba puede tener fallas, los cojinetes del motor pueden tener fallas, etc.
 - Siempre instale una unión en la línea de descarga, justo por encima de la cubierta del recipiente, para poder retirar fácilmente la bomba para limpiarla o repararla.
6. Se debe usar una válvula de retención en la línea de descarga para evitar que el flujo de líquido vuelva al recipiente. La válvula de retención debe ser una válvula de flujo libre que deje pasar los sólidos fácilmente.

AVISO

Riesgo de daños materiales por inundaciones.

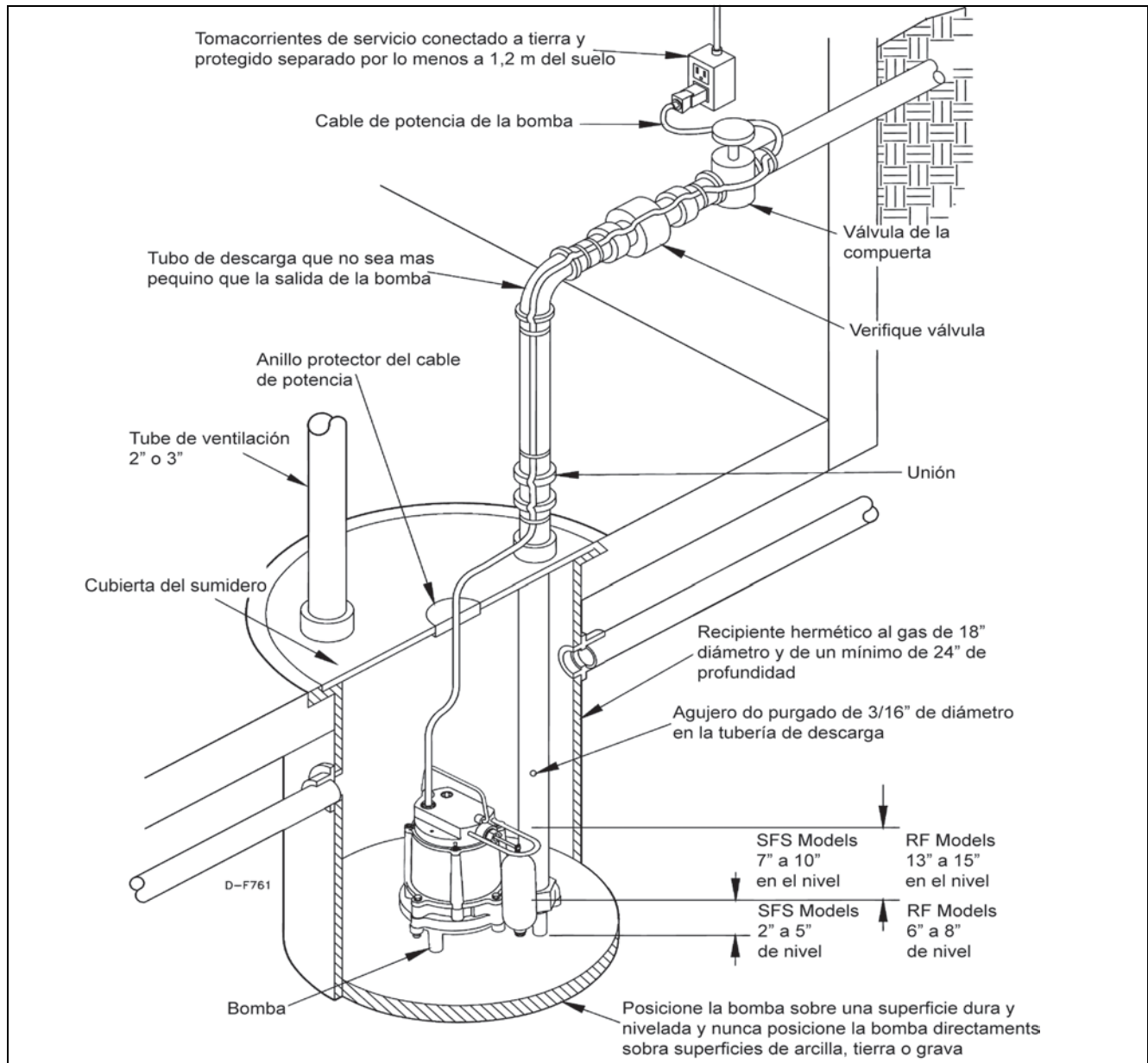
- No instale la válvula de retención en posición vertical, ya que los sólidos pueden asentarse en la válvula y; por lo tanto, evitar que la válvula de apertura en el arranque. Para un mejor rendimiento de la válvula de retención en cuanto al manejo de los sólidos, instálela en posición horizontal o en un ángulo no mayor que 45°.
- Cuando se utiliza una válvula de retención, perfora un orificio de alivio (1/8 pulg. [0,31 cm] o 3/16 pulg. [0,47 cm] de diámetro) en la tubería de descarga. Este orificio debe estar ubicado debajo de la línea del suelo entre la descarga de la bomba y la válvula de retención. A menos que se proporcione el orificio de alivio, la bomba podría “bloquear el aire” y no bombeará agua, aunque sí funcionará.

INSTALACIÓN

Installation física

7. Pegue con cinta de electricista la bomba y los cables del interruptor a la línea de descarga. Esto ayudará a evitar que el cable se dañe.
8. Pruebe la operación del sistema de bomba siguiendo las instrucciones detalladas de la sección ["Prueba de operación" en la página 36](#) de este manual. No intente operar la bomba sin agua; esto dañará los sellos y los rodamientos, y podría dar lugar a un daño permanente en la bomba.
9. Coloque una cubierta sobre el recipiente. Esta cubierta ayudará a evitar que los residuos ingresen a la fosa y la protegerá de lesiones accidentales.

Instalación típica



Conexiones eléctricass

⚠️ ADVERTENCIA



Riesgo de lesiones graves o muerte por descarga eléctrica.

- Siempre desconecte la alimentación eléctrica antes de tocar la bomba o descargue.
- Verifique los códigos locales de electricidad y de edificación antes de la instalación. La instalación se debe llevar a cabo de acuerdo con las regulaciones, así como también con el Código Eléctrico Nacional vigente (National Electrical Code, NEC).
- El conjunto de cables recubiertos flexibles montado a la bomba no se debe modificar en modo alguno, salvo para acortar el cable para adecuarlo al interior del panel de control. Todos los empalmes entre la bomba y el panel de control deben realizarse dentro de una caja de conexiones montada fuera de la cuenca y deben cumplir con el Código Eléctrico Nacional. Emplee un electricista autorizado.
- No use el cable eléctrico para levantar la bomba.
- No quite la tercera clavija del enchufe, ni corte el enchufe separándolo del cable. Esto anulará la garantía.
- No use un prolongador.

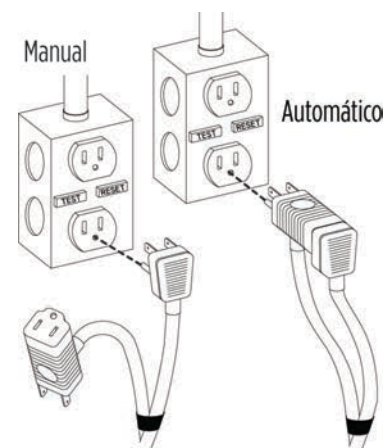
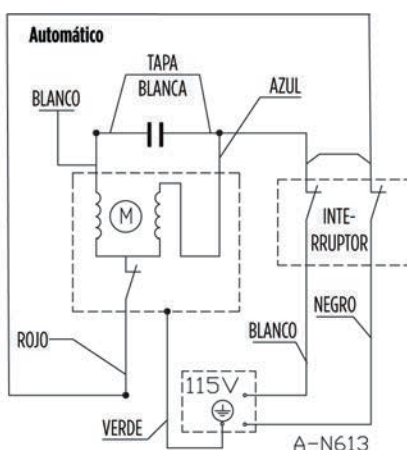
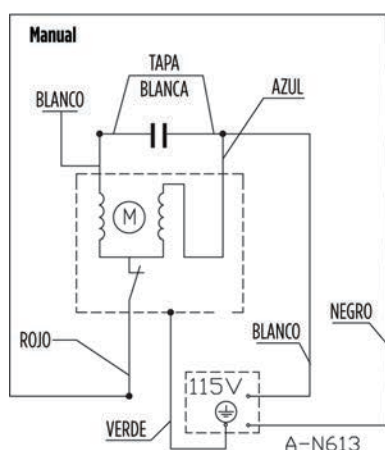
Consulte la etiqueta de la bomba para conocer el voltaje adecuado requerido. No la conecte a un voltaje distinto al que figura.

Se requiere de un interruptor de circuito por falla de conexión a tierra (ground fault circuit interrupter, GFCI).

La bomba se debe conectar o cablear en su propio circuito sin otras salidas o equipos en la línea de circuito. Los fusibles y el disyuntor deben tener una capacidad amplia en el circuito eléctrico.

Bomba	HP	Voltaje	Amperaje del disyuntor
6EC	1/3	115 V	15 A
10EC	1/2	115 V	15 A

Las bombas 6EC-CIA-RF y 10EC-CIA-RF tienen interruptores automáticos que cuentan con enchufes piggyback en los cables de los interruptores. Para una operación automática, enchufe el cable de la bomba al cable del interruptor flotante. Enchufe el cable del interruptor flotante (conectado al cable de la bomba) al tomacorriente GFCI.



PRUEBA DE OPERACIÓN

AVISO

Riesgo de daños a bomba u otros equipos.

- No intente hacer funcionar la bomba sin agua. Eso puede provocar daños permanentes a la bomba.
- Si hace funcionar vacía la bomba, puede dañarla y anular la garantía.

Si la bomba no funciona correctamente, consulte [“Solución de problemas” en la página 39](#). Si aún no se encuentra el problema, comuníquese con el lugar de compra. Deberán darle asistencia para obtener la reparación o reemplazo, si se requiere.

No permita que la unidad funcione en seco (sin líquido). Está diseñada para estar refrigerada mediante el bombeo de líquido. Si la bomba funciona en seco, es posible que dañe el sello y que el motor falle.

Si la unidad estará inactiva por un tiempo, siga las instrucciones de limpieza detalladas en la próxima sección. No deje que la unidad se congele. Esto puede causar agrietamiento o deformación que, a su vez, puede destruir la unidad.

Pruebas de funcionamiento de la bomba automática

Las bombas automáticas 6EC-CIA-SFS y 10EC-CIA-SFS están equipadas con un interruptor mecánico integral operado mediante un flotador. La operación automática se logra mediante el cable de la bomba.

Las bombas 6EN-CIA-RF tienen interruptores automáticos con enchufes de conexión trasera en los cables de los interruptores. La bomba debe estar enchufada en el enchufe de conexión trasera del cable del interruptor para funcionar en forma automática.

Cuando estas bombas se instalan en un recipiente con una cubierta sellada, la operación del interruptor no se puede observar. Por lo general, la cubierta del recipiente tendrá un orificio de repuesto que está conectado al enchufe de goma. Este enchufe se puede retirar y la operación del interruptor se puede observar.

Para probar la operación del sistema, siga estos pasos:

1. Enchufe el cable de alimentación en un receptáculo con conexión a tierra que tenga un voltaje consistente con el voltaje de la bomba, tal como se indica en la placa de la bomba.
2. Enchufe el cable de alimentación en un receptáculo con conexión a tierra que tenga un voltaje consistente con el voltaje de la bomba, tal como se indica en la placa de la bomba.
3. Deje correr el agua hacia el recipiente hasta que la bomba se active. No intente hacer funcionar la bomba sin agua. Eso puede provocar daños permanentes a la bomba.
4. Confirme que la bomba y su interruptor de control estén funcionando correctamente.
5. Confirme que los niveles de ENCENDIDO/APAGADO estén dentro de las especificaciones y confirme que no haya obstrucciones posibles que pudieran impedir el funcionamiento del interruptor.
6. Confirme que no haya fugas en las tuberías de descarga de la bomba ni en las tuberías de drenaje principales del hogar.

NOTA: Es normal que un chorro de agua salga desde el orificio de respiración en las tuberías de la bomba principal. (Sale agua expulsada a través de un orificio controlado por un perno en la base la unidad.) Confirme que este chorro que sale quede atrapado dentro del recipiente.

7. Deje que la bomba funcione a través de múltiples ciclos de encendido/apagado.

Pruebas de funcionamiento de la bomba manual

⚠ PRECAUCIÓN

Riesgo de lesiones corporales o daños a bomba u otros equipos.

- La operación manual y continua de la bomba se debe utilizar solo en caso de emergencia o cuando haya que bombear un gran volumen de agua. La bomba se debe monitorear permanentemente durante la operación y se debe desconectar de la alimentación antes de que funcione en vacío.
- Si se instala un interruptor flotante accesorio u otro tipo de control de nivel del líquido, consulte las instrucciones del fabricante. El hecho de no instalar el dispositivo de control conforme a los códigos eléctricos y de tuberías tanto nacionales como locales y dentro de las recomendaciones del fabricante puede provocar peligros de descarga eléctrica o incendio, desempeños insatisfactorios o fallas del equipo.

Las bombas manuales 6EC-CIM no incluyen un control automático del nivel de líquido. El cable de la bomba para estas bombas se puede enchufar directamente en un receptáculo conectado correctamente a tierra que tenga un voltaje consistente con la placa de la bomba para un funcionamiento continuo de la bomba.

Para un funcionamiento automático de la bomba manual, se debe usar un interruptor de flotadores por separado u otro control de nivel de líquido. Si se ha agregado un interruptor de flotador o un control de nivel, referirse a [“Pruebas de funcionamiento de la bomba automática” en la página 36](#) para la operación de prueba.

Para probar la bomba manual operación, siga estos pasos:

1. Conecte una manguera de descarga al orificio de descarga de la bomba.
2. Coloque la bomba en una cubeta o depósito de prueba.
3. Dirija el extremo opuesto de la manguera de descarga a la cubeta o depósito de prueba de manera que el agua descargada de la manguera durante las pruebas se contenga dentro de la cubeta o depósito de prueba. Asegure la manguera para evitar que la presión de agua creada durante las pruebas cause que la manguera salga de la cubeta o del depósito de prueba.
4. Si hay una válvula en la manguera de descarga, asegúrese de que la válvula esté abierta.
5. Utilizando una fuente de agua separada, llene la cubeta o el depósito de prueba hasta que la bomba esté completamente sumergida.
 - No intente hacer funcionar la bomba sin agua. Eso puede provocar daños permanentes a la bomba.
 - No sobrellene la cubeta ni el depósito de prueba.
6. Enchufe el cable de alimentación de la bomba en un receptáculo de interruptor de circuito de falla a tierra (GFCI) con voltaje consistente con la tensión de la bomba, como se indica en la placa de identificación de la bomba.
7. Confirme que la bomba esté funcionando según lo previsto.

NOTA: Es normal que un chorro de agua salga desde el orificio de respiración en las tuberías de la bomba principal. (Sale agua expulsada a través de un orificio controlado por un perno en la base la unidad.) Confirme que este chorro que sale quede atrapado dentro del recipiente.
8. Si la bomba no funciona según lo previsto, desconecte el cable de alimentación de la bomba del receptáculo y consulte “solución de problemas” en la página 11. Si aún no se encuentra la solución, póngase en contacto con el lugar de compra o con un centro de servicio autorizado.
9. Si la bomba funciona según lo previsto, desconecte el cable de alimentación de la bomba del receptáculo antes de intentar sacarlo de la cubeta o del depósito de prueba.

MANTENIMIENTO

⚠ ADVERTENCIA



Riesgo de lesiones graves o muerte por descarga eléctrica, temperaturas elevadas o líquidos presurizados.

- Cuando trabaje en la bomba o en el interruptor, siempre desenchufe el cable de alimentación de la bomba, además de retirar el fusible o apagar el disyuntor antes de trabajar en la bomba.
- Deje que la bomba se enfríe al menos 2 horas antes de intentar realizarle mantenimiento. Las bombas sumergibles contienen aceite que se presuriza y calienta en condiciones de operación normales.

AVISO

Riesgo de daños a bomba u otros equipos.

- Esta unidad está lubricada permanentemente. No requiere que se le cargue aceite. No abra la sección sellada de la unidad ni quite los tornillos de la carcasa.
- No quite la cubierta de la carcasa del motor.
- No quite el impulsor.
- La garantía quedará anulada si se han quitado la cubierta de la carcasa del motor, el impulsor o los sellos. Las reparaciones al motor o el impulsor requieren herramientas especiales.

Servicio periódico

Inspeccione y pruebe el estado y el funcionamiento del sistema de la bomba cada 3 meses (con más frecuencia en aplicaciones de uso intensivo).

Deje que la bomba se enfríe al menos 2 horas antes de intentar realizarle mantenimiento. Las bombas sumergibles contienen aceite que se presuriza y calienta en condiciones de operación normales.

1. Verifique que no haya daños o corrosión en los cables de alimentación y en la salida eléctrica. El cable de alimentación en estas unidades no se puede reemplazar. En caso de daño, se debe reemplazar la unidad completa.
2. El cable de alimentación en estas unidades no se puede reemplazar. En caso de daño, se debe reemplazar la unidad completa.
3. Revise los componentes del sistema de la bomba (recipiente, bomba, interruptor, etc.) para detectar acumulaciones (lodo, sedimentos, minerales, etc.) que podrían impedir la funcionalidad de los componentes. Si es necesario, retire la acumulación o reemplace los componentes afectados.
4. Confirme que todas las abrazaderas flexibles de la manguera de acoplamiento estén completamente enroscadas con la tubería y firmemente ajustadas.
5. Pruebe la operación del sistema de la bomba. Referirse a [“Prueba de operación” en la página 36](#).
6. Mientras la bomba esté funcionando, asegúrese de que un chorro de agua salga por el orificio de respiración. De lo contrario, limpie el orificio y retire depósitos o residuos.

Limpiar el impulsor y la voluta

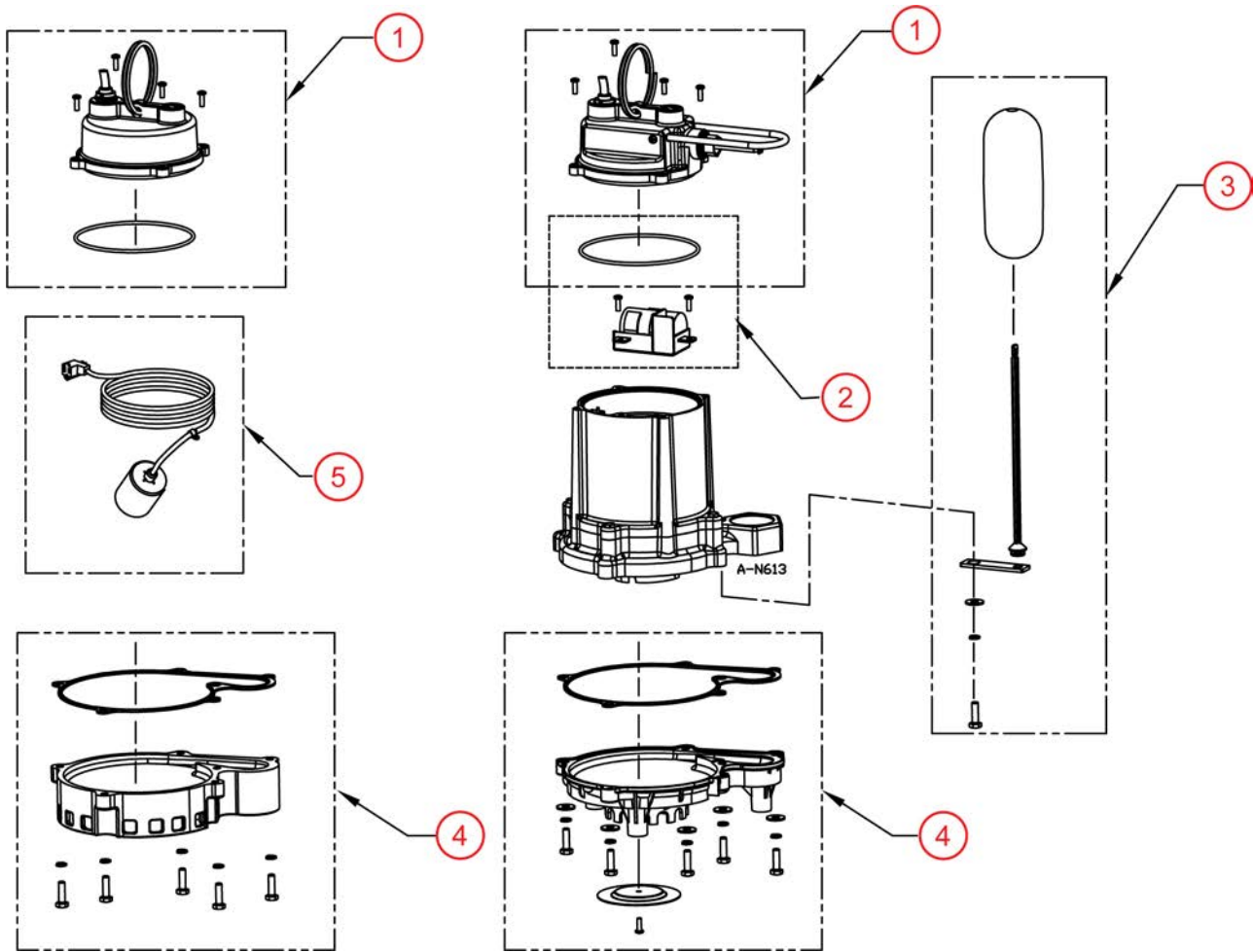
Al limpiar periódicamente las piezas de la bomba, se prolongará la vida útil y la eficiencia de la bomba. Consulte el ensamblaje y el desmontaje del cabezal de bombeo.

1. Retire los cinco tornillos que sostienen la base en la voluta y, luego, separe la base de la voluta. No quite la cubierta de la carcasa del motor.
2. Retire la base y limpie el impulsor y el pasaje de la voluta. No use solventes fuertes en el impulsor. No quite el impulsor.
3. Luego de la limpieza, asegúrese de que el impulsor gire libremente.
4. Fije la base a la voluta y asegúrela con los cinco tornillos.

Solución de problemas

Problema	Causas Probables	Acción Correctiva
La bomba no se enciende	La bomba no está enchufada.	Enchufe la bomba.
	Se retiró el cierre del disyuntor o el fusible.	Encienda el disyuntor o reemplace el fusible.
	Hay acumulación de basura en el flotador.	Limpie el flotador.
	Hay obstrucción del flotador.	Verifique la trayectoria del flotador y límpiela.
	Interruptor defectuoso.	Reemplace el interruptor.
	Motor defectuoso.	Reemplace la bomba.
La bomba no se apagará	Hay obstrucción del flotador.	Verifique la trayectoria del flotador y límpiela.
	Hay aire bloqueado en la bomba.	Retire la bomba y limpie el orificio de purga de aire.
	La entrada de líquido es igual a la capacidad de la bomba.	Se necesita una bomba más grande.
	Interruptor defectuoso.	Reemplace el interruptor.
La bomba anda, pero no descarga líquido	Verifique que la válvula esté instalada al revés.	Verifique la flecha que indica el flujo en el cuerpo de la válvula de retención para asegurarse de que esté correctamente instalada.
	Verifique que la válvula no esté atascada ni tapada.	Retire la válvula de retención e compruebe que funcione correctamente.
	La elevación es demasiado alta para la bomba.	Verifique el rendimiento nominal de la bomba.
	La entrada al impulsor está tapada.	Saque la bomba y límpiela.
	Hay aire bloqueado en la bomba.	Retire la bomba y limpie el orificio de purga de aire.
La bomba no suministra la capacidad nominal	La elevación es demasiado alta para la bomba.	Verifique el rendimiento nominal de la bomba.
	El voltaje es bajo; la velocidad es demasiado lenta.	Verifique el voltaje de alimentación correcto para asegurarse de que corresponda con el voltaje de la placa de identificación.
	El impulsor o la tubería de descarga están obstruidos.	Saque la bomba y límpiela. Verifique la tubería para ver si tiene sarro o corrosión.
	El impulsor está desgastado debido a abrasivos.	Reemplace la bomba.
La bomba inicia ciclos de manera continua	No hay una válvula de retención en la tubería larga de descarga que permita que el líquido se drene de regreso el recipiente.	Instale la válvula de retención en la línea de descarga.
	Verifique fugas en la válvula.	Inspeccione la válvula de retención para ver si funciona correctamente.
	El recipiente es muy pequeño para la entrada.	Instale un recipiente más grande.
Sale agua expulsada a través de un orificio controlado por un perno en la base la unidad.	Esta bomba viene con un respiradero que permite que el aire atrapado escape de la bomba evitando las bolsas de aire. Es completamente normal que salga agua de este orificio.	No se requiere de ninguna acción correctiva.

Lista de Partes



Número	Número de parte	Descripción
1	110970101	Montaje del tapizado, 115 V, automáticos, con el interruptor, cuerda 20'
1	110970102	Montaje del tapizado, 230 V, automáticos, con el interruptor, cuerda 20'
1	110970103	Montaje del tapizado, 115 V, manual, cuerda 20'
1	110970104	Montaje del tapizado, 230 V, manual, cuerda 20'
2	110970201	Kit del condensador, 115 V, con el soporte, anillo de cierre
2	110970202	Kit del condensador, 230 V, con el soporte, anillo de cierre
3	110970301	Asamblea del flotador, con el vástago, correa
4	110970401	Base Volute, plástico, con la junta
4	110970402	Base Volute, hierro fundido, con la junta
5	599118	El interruptor de flotador alejado, 10' Cord, 115/230 V
5	599210	El interruptor de flotador alejado, 20' Cord, 115/230 V

Notas

Notas

GARANTÍA LIMITADA

ESTA GARANTÍA ESTIPULA LA ÚNICA OBLIGACIÓN DE LA COMPAÑÍA Y EL ÚNICO RECURSO QUE TENDRÁ EL COMPRADOR ANTE UN PRODUCTO DEFECTUOSO.

Franklin Electric Company, Inc y sus subsidiarias (en adelante “la Compañía”) garantizan que los productos que están acompañados por esta garantía se encuentran libres de defectos de material o mano de obra de la Compañía que existan al momento de la venta por parte de la Compañía y que ocurran o aparezcan dentro del período de validez de la garantía. Cualquier distribuidor, subdistribuidor, receptor, usuario final o consumidor acuerdan que al aceptar el recibo del producto, el distribuidor, subdistribuidor, receptor, usuario final y/o consumidor implícitamente aceptan que están obligados a los términos de la garantía que aquí se establecen.

I. Período de Garantía Aplicable

Los productos que están acompañados por esta garantía serán cubiertos por esta Garantía Limitada por un período de 36 meses desde la fecha original de compra por parte del consumidor. Ante la falta de pruebas adecuadas respecto de la fecha de compra, el período de garantía de este producto entrará en vigencia a partir de su fecha de fabricación.

II. Instrucciones Aplicables a esta Garantía Limitada

1. Los consumidores que deseen presentar un reclamo de garantía deberán devolver los productos acompañados por esta garantía al punto de compra para consideración de la garantía.
2. Ante el descubrimiento de un defecto, cualquier lesión personal, daño a la propiedad o cualquier otro tipo de daño que resulte, si aplica, será razonablemente mitigado hasta donde sea posible.
3. A su criterio, la Compañía puede inspeccionar los productos ya sea en sus instalaciones o en el campo, y luego de la determinación del reclamo de garantía, según dictamine, reparará o cambiará las piezas defectuosas. Las piezas que fueron reparadas o cambiadas serán devueltas por medio de un flete prepago por parte de la Compañía.
4. Esta garantía no cubre ningún cargo por mano de obra o transporte. La Compañía no se responsabilizará por ningún costo o cargo que esté relacionado a cualquier prueba del producto, su mantenimiento, instalación, reparación o remoción, o de cualquier herramienta, suministro o equipo que sea necesario para, instalar, reparar o remover algún producto.

III. Limitaciones aplicables a esta Garantía Limitada

ESTA GARANTÍA NO APLICA A NINGUNO DE LOS SIGUIENTES CASOS:

1. Cepillos, turbina o leva en modelos con motor de cepillo y/o turbinas con aleta flexible.
2. Cualquier producto que no se instale, aplique, mantenga y utilice según las instrucciones publicadas de la Compañía, códigos aplicables, ordenanzas aplicables y/o estándares industriales generalmente aceptados.
3. Cualquier producto que haya sufrido uso indebido, mala aplicación, descuido, alteración, accidente, abuso, modificación, actos de Dios (rayos incluidos), actos de terrorismo, actos de guerra, incendios, almacenamiento e instalación inadecuados, uso inadecuado, mantenimiento o reparación inadecuados, daño o siniestro, en exceso de las máximas recomendadas que se establecen en las instrucciones del producto.
4. Cualquier producto que sea operado con cualquier accesorio, equipo, componente, o pieza que no esté específicamente aprobado por la Compañía.
5. El uso de piezas de repuesto que no sean vendidas por la Compañía, la adición no autorizada de productos que no sean de la Compañía a productos de la Compañía, y la alteración no autorizada de productos de la Compañía.
6. Los productos dañados por el desgaste normal, mantenimiento normal y las piezas utilizadas en conexión con dicho servicio o cualquier otra condición más allá del control de la Compañía.
7. Cualquier producto que haya sido utilizado para otros propósitos más allá de aquellos para los cuales fue diseñado y fabricado.
8. Cualquier uso del producto en el cual las instrucciones de instalación y/o las instrucciones para el uso no hayan sido seguidas.
9. Productos conectados a otro voltaje distinto al indicado en la placa de identificación.
10. Productos en los cuales la bomba fue expuesta a cualquiera de los siguientes: arena, grava, cemento, grasa, yeso, barro, brea, hidrocarburos, derivados de los hidrocarburos (aceite, gasolina, solventes, etc.) u otras sustancias abrasivas o corrosivas.
11. Productos en los cuales la bomba fue utilizada para bombear líquidos con una temperatura superior los 140°F (60°C).
12. Productos en los cuales la bomba fue habilitada para operar en seco (sin suministros de fluidos).
13. Productos en los cuales la carcasa sellada del motor fue abierta o el producto fue de otro modo desmantelado por el cliente.
14. Productos a los que se les haya cortado el cable a una longitud inferior a 91 centímetros (3 pies).

La Compañía se reserva el derecho de en cualquier momento, y ocasionalmente, introducir cambios en el diseño y/o mejoras en sus productos sin que esto imponga ninguna obligación de introducir los cambios o mejoras correspondientes en los productos ya fabricados y/o previamente vendidos. La Compañía se reserva además el derecho de sustituir piezas o componentes de calidad equivalente en cualquier servicio de garantía requerido por operación de esta Garantía Limitada.

Esta Garantía Limitada escrita es la totalidad de la garantía autorizada y ofrecida por la Compañía. No existen garantías y representaciones más allá de aquellas expresadas en este documento.

ESTA GARANTÍA Y RECURSO ESTÁN POR ENCIMA DE TODAS LAS OTRAS GARANTÍAS Y RECURSOS QUE SE INCLUYEN SIN LIMITACIÓN, GARANTÍAS DE MERCANTIBILIDAD Y/O ADECUACIÓN PARA UNA FINALIDAD ESPECÍFICA, QUE SON AQUÍ EXPLÍCITAMENTE NEGADAS Y EXPRESAMENTE EXCLUIDAS. LA CORRECCIÓN DE DISCONFORMIDAD, DE LA MANERA Y EN EL PERÍODO DE TIEMPO ESTABLECIDOS ANTERIORMENTE, CONSTITUIRÁ EL CUMPLIMIENTO DE TODA LA RESPONSABILIDAD DE LA COMPAÑÍA CON EL COMPRADOR YA SEA BASADO EN EL CONTRATO, NEGLIGENCIA O DE OTRO MODO.

LA COMPAÑÍA NO SERÁ RESPONSABLE POR LOS DAÑOS ACCIDENTALES, CONSECUENTES O ESPECIALES TALES COMO, PERO NO LIMITADOS A:

DAÑOS A O PÉRDIDA DE OTRA PROPIEDAD O EQUIPO, PÉRDIDAS DE USO DEL EQUIPO, PRESTACIÓN O SERVICIO, PÉRDIDA DE GANANCIA O VENTAS, COSTO DE COMPRAS O REMPLAZO DE BIENES, RECLAMOS DE CLIENTES DEL COMPRADOR, FALLA PARA ADVERTIR Y/O INSTRUIR, PÉRDIDA DE OTROS PRODUCTOS, COSTOS DE REMEDIACIÓN AMBIENTAL O DISMINUCIÓN EN EL VALOR DE LA PROPIEDAD. LOS RECURSOS DEL COMPRADOR AQUÍ ESTABLECIDOS SON EXCLUSIVOS, Y LA RESPONSABILIDAD DE LA COMPAÑÍA NO DEBE, COMO EXPRESAMENTE CONSTAN AQUÍ, EXCEDER EL PRECIO DEL PRODUCTO EN EL QUE DICHA RESPONSABILIDAD SE BASA. LOS DAÑOS QUE SE ESTABLECEN EN ESTE PÁRRAFO SERÁN RAZONABLEMENTE MITIGADOS HASTA DONDE SEA POSIBLE. ESTE PÁRRAFO DEBE TAMBIÉN APLICARSE A TODOS LOS DAÑOS QUE RESULTEN DE LAS CONDICIONES ESTABLECIDAS ANTERIORMENTE EN LA SECCIÓN III Y (1) DEFECTOS EN PROTOTIPOS DE PRODUCTOS O PROTOTIPOS DE PIEZAS DE REPUESTO QUE NO HAYAN SIDO PRODUCIDAS, PUESTAS EN CIRCULACIÓN O VENDIDAS POR LA COMPAÑÍA, Y/O (2) DEFECTOS QUE NO FUERON ENCONTRADOS AL MOMENTO DE LA VENTA DEBIDO A RAZONES CIENTÍFICAS O TECNOLÓGICAS.

Esta Garantía Limitada le otorga derechos legales específicos. También pueden existir otros derechos que pueden variar según las leyes y regulaciones aplicables. Cuando cualquiera de los términos de esta garantía esté prohibido por dichas leyes, deben considerarse nulos e inválidos, pero el resto de esta garantía continuará con plena vigencia y efecto.

DESCARGO DE RESPONSABILIDAD: Cualquier declaración oral sobre el producto hecha por el vendedor, la Compañía, los representantes o cualquier otra parte, no constituye garantías, no deberá ser considerada válida por el usuario y no son parte del contrato de venta. La única obligación del vendedor y la Compañía, y el único recurso del comprador, serán el remplazo o la reparación del producto por parte de la Compañía como fue descrito anteriormente. Antes de su uso, el usuario deberá determinar si el producto es adecuado para el uso que se le intenta dar, y el usuario asume todo el riesgo y la responsabilidad cualesquiera que fueren en conexión con el mismo.

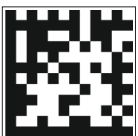
EXCLUSIVO PARA MÉXICO

El usuario puede hacer válida la garantía directamente con el representante donde fue adquirido el producto. Para compras en México, puede contactar al importador Motores Franklin S.A. de C.V. En cualquier caso, deberá presentar el producto acompañado de la factura de compra o la presente póliza de garantía.

Para poder acceder a componentes, consumibles y accesorios, el usuario puede acudir directamente con el representante donde fue adquirido el producto. Para compras en México, puede contactar al importador Motores Franklin S.A. de C.V.

Importador: Motores Franklin S.A. de C.V.

Av. Churubusco 1600 B16
Monterrey, NL
CP 64560 MÉXICO
Tel. 81 8000 1000



Para la ayuda técnica, por favor póngase en contacto:

800.701.7894 | littlegiant.com

Form 998913 Rev. 003 05/19

LittleGIANT®
Franklin Electric Co., Inc. | Oklahoma City, OK 73157-2010