

10EC SERIES - 1/2 HP

APPLICATIONS

Effluent wastewater removal, dewatering, water transfer

FEATURES

- Heavy-duty cast iron construction
- Permanent Split Capacitor (PSC)
- Designed for continuous duty
- Energy-saving low amp draw
- 1-1/2" FNPT (38 mm) discharge
- Handles solids up to 1/2" (12.7 mm) diameter
- Multiple switch options for automatic operation
- 140 °F (60 °C) liquid temperature rating
- cCSAus listed



SERIES SPECIFICATIONS

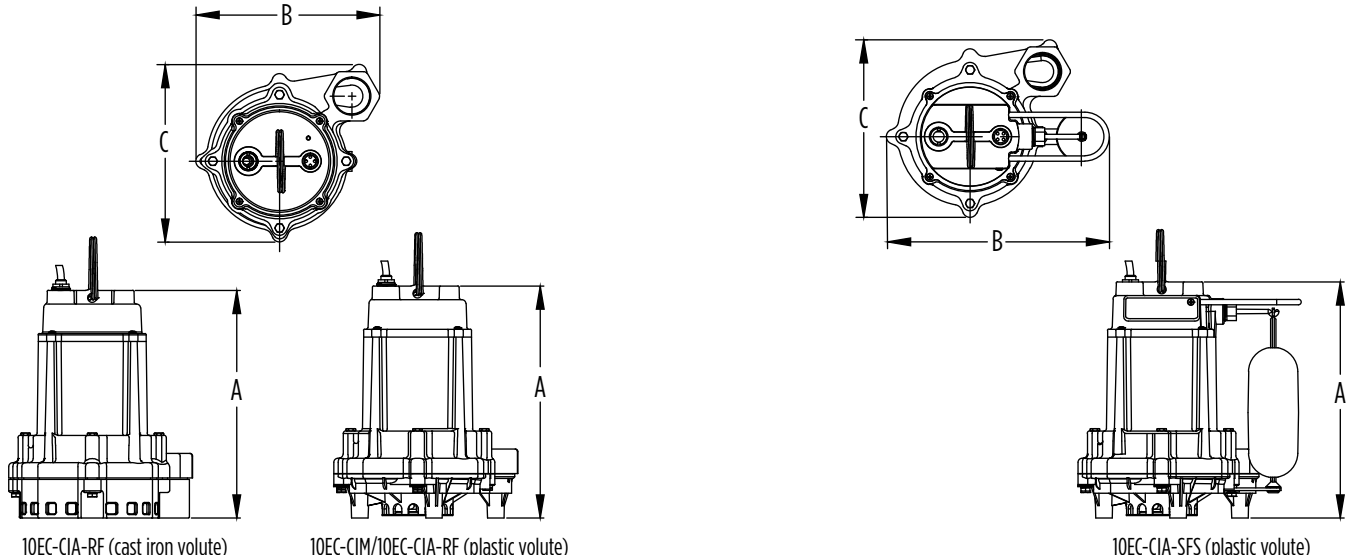
Volts	Hz	Amps	Watts	Performance (GPM at Height in Feet)					Shut-Off (ft)	PSI
				5'	10'	15'	20'	30'		
115	60	6.5	750	67	57	52	47	28	36	15.6

Item	Model	HP	Volts	Base Material	Switch Type/ Operations	On Level	Off Level	Cord	Weight
510852	10EC-CIA-RF	1/2	115	Cast Iron	Piggyback Mechanical Float	13" - 15" 33.2 cm - 38.1 cm	6" - 8" 15.2 cm - 20.3 cm	20' 6.1 m	36.5 lbs 16.6 Kg
510803	10EC-CIA-SFS	1/2	115	Polypropylene	Integral Snap-Action Float	8" - 11" 20.3 cm - 27.9 cm	2" - 5" 5.1 cm - 12.7 cm	10' 3 m	29 lbs 13.5 Kg
510802	10EC-CIA-SFS	1/2	115	Polypropylene	Integral Snap-Action Float	8" - 11" 20.3 cm - 27.9 cm	2" - 5" 5.1 cm - 12.7 cm	20' 6.1 m	30 lbs 13.6 Kg
510801	10EC-CIM	1/2	115	Polypropylene	Manual	—	—	10' 3 m	27.5 lbs 12.5 Kg
510800	10EC-CIM	1/2	115	Polypropylene	Manual	—	—	20' 6.1 m	28.5 lbs 12.9 Kg

EFFLUENT PUMPS

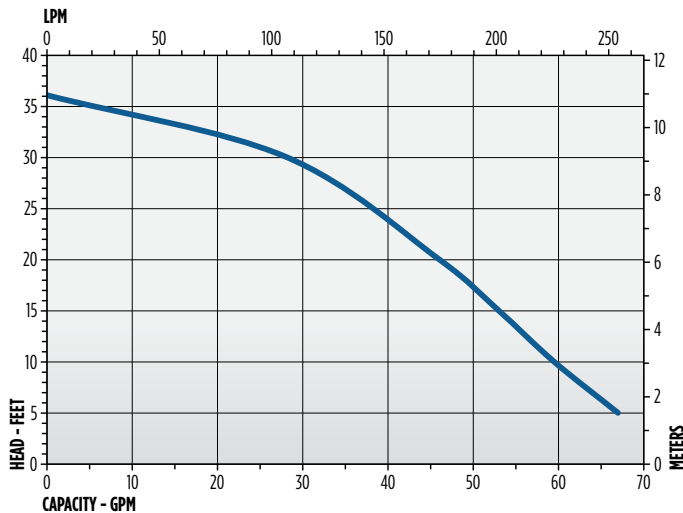
10EC SERIES - 1/2 HP

ENGINEERING DATA



Model	Base	A	B	C
10EC-CIA-SFS	Polypropylene	11.28" (286.5 mm)	10.66" (270.8 mm)	8.48" (215.5 mm)
10EC-CIA-RF	Cast Iron	10.9" (276.2 mm)	8.79" (223.4 mm)	8.48" (215.5 mm)
10EC-CIM	Polypropylene	11.08" (281.5 mm)	8.79" (223.4 mm)	8.48" (215.5 mm)

PERFORMANCE DATA



CONSTRUCTION

Cover	Epoxy-coated cast iron
Motor Housing	Epoxy-coated cast iron
Impeller Material	Nylon
Volute	Epoxy-coated cast iron
Mechanical Shaft Seal	Nitrile with carbon and ceramic faces
Fasteners	Stainless steel
Shaft	Cold-rolled steel
Bearings	Upper and lower ball bearings
Power Cord	SJTW