

Standard Plus Ladder



Plastic Treads



Stainless Treads

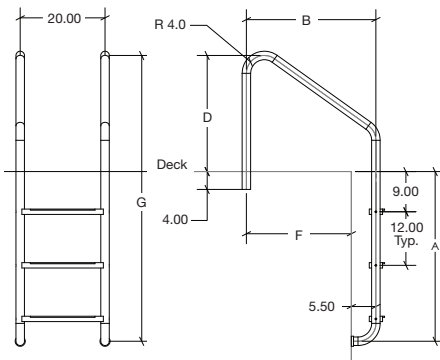
- Tubing: 1.50"* or 1.90" OD
- Wall Thickness: .065", .109" or .145"
- Stainless Steel: 304
- Treads: LTDF-106 (Plastic) or LTDF-103 (Stainless Steel)
- Bends: 4" Radius
- Options: Powder-coating and SealedSteel Salt Friendly available
- Recommended anchors: AS-200B for 1.50" and AS-100B for 1.90" (order separately)
- Recommended escutcheons: EP-150 for 1.50" and EP-100F for 1.90" (order separately)

* Call Customer Service at 800.824.4387 for part numbers.

Plastic Treads

Model No.	Description	Shipping		
		Weight	Length	Width Height
10001 to 10003*	23" 2-Step Ladder with .065", .109", .145 tubing	30, 42, 54 lbs	61"	29" 2"
10004 to 10006	23" 3-Step Ladder with .065", .109", .145 tubing	36, 50, 62 lbs	70"	28" 2"
10007 to 10009	23" 4-Step Ladder with .065", .109", .145 tubing	40, 58, 70 lbs	82"	28" 2"
10010 to 10012	23" 5-Step Ladder with .065", .109", .145 tubing	46, 64, 78 lbs	90"	28" 2"
10013 to 10015	29" 2-Step Ladder with .065", .109", .145 tubing	30, 44, 56 lbs	59"	39" 2"
10016 to 10018	29" 3-Step Ladder with .065", .109", .145 tubing	36, 52, 64 lbs	85"	39" 2"
10019 to 10021	29" 4-Step Ladder with .065", .109", .145 tubing	42, 58, 72 lbs	85"	39" 2"
10022 to 10024	29" 5-Step Ladder with .065", .109", .145 tubing	48, 66, 80 lbs	85"	39" 2"
10025 to 10027	35" 2-Step Ladder with .065", .109", .145 tubing	34, 48, 62 lbs	59"	39" 2"
10028 to 10030	35" 3-Step Ladder with .065", .109", .145 tubing	38, 56, 70 lbs	76"	40" 2"
10031 to 10033	35" 4-Step Ladder with .065", .109", .145 tubing	44, 64, 78 lbs	76"	40" 2"
10034 to 10036	35" 5-Step Ladder with .065", .109", .145 tubing	50, 70, 86 lbs	76"	40" 2"

* Example 10001=.065", 10002=.109", 10003=.145" tubing



Stainless Steel Treads

Model No.	Description	Shipping		
		Weight	Length	Width Height
10037 to 10039*	23" 2-Step Ladder with .065", .109", .145 tubing	30, 42, 54 lbs	61"	29" 2"
10040 to 10042	23" 3-Step Ladder with .065", .109", .145 tubing	36, 50, 62 lbs	70"	28" 2"
10043 to 10045	23" 4-Step Ladder with .065", .109", .145 tubing	40, 58, 70 lbs	82"	28" 2"
10046 to 10048	23" 5-Step Ladder with .065", .109", .145 tubing	46, 64, 78 lbs	90"	28" 2"
10049 to 10051	29" 2-Step Ladder with .065", .109", .145 tubing	30, 44, 56 lbs	59"	39" 2"
10052 to 10054	29" 3-Step Ladder with .065", .109", .145 tubing	36, 52, 64 lbs	85"	39" 2"
10055 to 10057	29" 4-Step Ladder with .065", .109", .145 tubing	42, 58, 72 lbs	85"	39" 2"
10058 to 10060	29" 5-Step Ladder with .065", .109", .145 tubing	48, 66, 80 lbs	85"	39" 2"
10061 to 10063	35" 2-Step Ladder with .065", .109", .145 tubing	34, 48, 62 lbs	59"	39" 2"
10064 to 10066	35" 3-Step Ladder with .065", .109", .145 tubing	38, 56, 70 lbs	76"	40" 2"
10067 to 10069	35" 4-Step Ladder with .065", .109", .145 tubing	44, 64, 78 lbs	76"	40" 2"
10070 to 10072	35" 5-Step Ladder with .065", .109", .145 tubing	50, 70, 86 lbs	76"	40" 2"

Note:

- Frames extend 5 1/2" from the pool wall. Frame is secured to the pool deck with two anchor sockets on 20" centers. The lower end of the frame is bent to meet the pool wall and fitted with two white rubber bumpers (WRB-100A for 1.90" and WRB-102A for 1.50").

* Example 10037=.065", 10038=.109", 10039=.145" tubing

plastic

MODEL NUMBER	D	B	A	F	G
10001 TO 10003	26.00	23.00	28.00	17.50	54.00
10004 TO 10006	26.00	23.00	40.00	17.50	66.00
10007 TO 10009	26.00	23.00	52.00	17.50	78.00
10010 TO 10012	26.00	23.00	64.00	17.50	90.00
10013 TO 10015	28.00	29.00	28.00	23.50	54.00
10016 TO 10018	28.00	29.00	40.00	23.50	66.00
10019 TO 10021	28.00	29.00	52.00	23.50	78.00
10022 TO 10024	28.00	29.00	64.00	23.50	90.00
10025 TO 10027	31.00	35.00	28.00	29.50	59.00
10028 TO 10030	31.00	35.00	40.00	29.50	71.00
10031 TO 10033	31.00	35.00	52.00	29.50	83.00
10034 TO 10036	31.00	35.00	64.00	29.50	95.00

stainless

MODEL NUMBER	D	B	A	F	G
10037 TO 10039	26.00	23.00	28.00	17.50	54.00
10040 TO 10042	26.00	23.00	40.00	17.50	66.00
10043 TO 10045	26.00	23.00	52.00	17.50	78.00
10046 TO 10048	26.00	23.00	64.00	17.50	90.00
10049 TO 10051	26.00	29.00	28.00	23.50	54.00
10052 TO 10054	26.00	29.00	40.00	23.50	66.00
10055 TO 10057	26.00	29.00	52.00	23.50	78.00
10058 TO 10060	26.00	29.00	64.00	23.50	90.00
10061 TO 10063	31.00	35.00	28.00	29.50	59.00
10064 TO 10066	31.00	35.00	40.00	29.50	71.00
10067 TO 10069	31.00	35.00	52.00	29.50	83.00
10070 TO 10072	31.00	35.00	64.00	29.50	95.00

