

JXi™ ASME GAS POOL & SPA HEATER



Jandy®

THE COMPLETE COMMERCIAL PACKAGE

THE ULTRA-COMPACT AND
ENERGY-EFFICIENT JXi™ ASME
GAS POOL & SPA HEATER FOR
COMMERCIAL USE



JXi™
POOL & SPA HEATER



THE ULTRA-COMPACT AND ENERGY-EFFICIENT JXi™ ASME GAS POOL & SPA HEATER FOR COMMERCIAL USE

Built with the brawn to withstand the high-use demands of commercial properties, ASME certified JXi™ heaters are ultra-compact and constructed with bronze headers and thicker-walled copper fin tubes.

Commercial Grade Models

Small but strong enough to handle the rigors of non-residential use, ASME certified JXi heaters feature burly bronze headers and 30%¹ thicker-walled, integral copper fin tubes for corrosion-resistant reliability.

NEW! Optional cupronickel fin tube now available for the most demanding job sites.

¹30% thicker than other models.

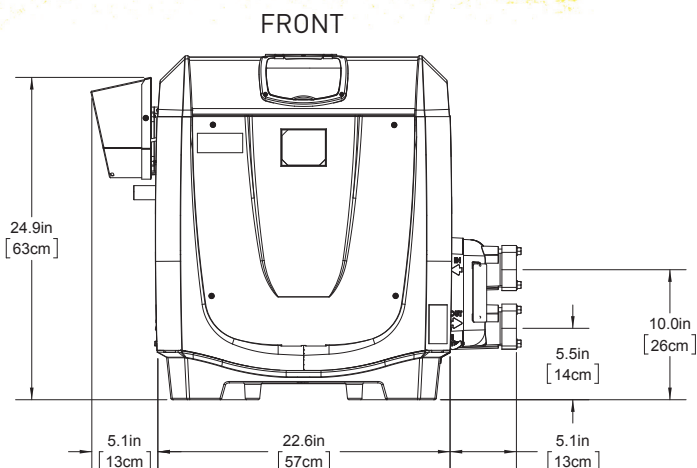
Energy-Efficient Heating

84% thermal efficiency rating² and low-NOx design surpasses strict DOE Energy Efficiency requirements.

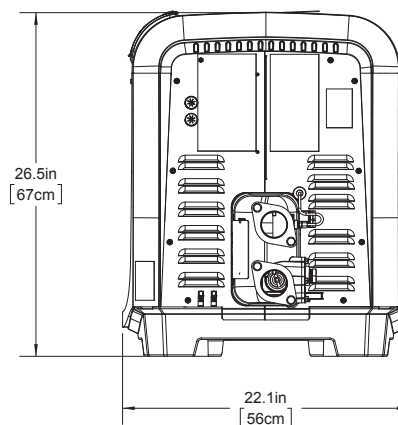
²Model JXi260NS us 83% efficient. All other models are 84%.

Additional Features:

- Available in both natural and propane gas
- Easy gas hook-up factory mounted BIP nipple included



INLET SIDE



Flexible Installation

Top can be easily removed for increased accessibility and rotated 180 degrees

Ultra-Compact Lightweight Design

Fits on a 2' x 2' pad and is 38% lighter with a 28% smaller footprint*

Automation-Ready

Automation-ready with anytime, anywhere control from your mobile device

Keeps Critters Out

Fully encased shell helps protect against rodent intrusion and damage

Best Retrofit Option

Plumbing flexibility for quick Mastertemp® and Max-E Therm® replacement that requires no plumbing adjustments

ASME Certified JXi Heaters (Not available with VersaFlo™ Integrated Bypass technology)

Model #	Firing Rate	Gas Type	Heat Exchanger	Thermal Efficiency	Dim A	Weight	Vent Diameter**	Minimum GPM	Maximum GPM
JXi260NC	260K BTU	Natural Gas	Copper	84%	31.6	163 lbs.	7" (18 cm)	30	100
JXi260PC	260K BTU	Propane	Copper	84%	31.6	163 lbs.	7" (18 cm)	30	100
JXi400NC	400K BTU	Natural Gas	Copper	84%	31.6	168 lbs.	8" (20 cm)	30	100
JXi400PC	400K BTU	Propane	Copper	84%	31.6	168 lbs.	8" (20 cm)	30	100
JXi260NS	260K BTU	Natural Gas	Cupronickel	83%	31.6	163 lbs.	7" (18 cm)	30	100
JXi260PS	260K BTU	Propane	Cupronickel	84%	31.6	163 lbs.	7" (18 cm)	30	100
JXi400NS	400K BTU	Natural Gas	Cupronickel	84%	31.6	168 lbs.	8" (20 cm)	30	100
JXi400PS	400K BTU	Propane	Cupronickel	84%	31.6	168 lbs.	8" (20 cm)	30	100

*Compared to major competitor models.

**Minimum vent pipe size for Category I installations. 2 units per pallet.

Trade Series Exclusive product; not available for Internet sale.

Units can be converted from natural to propane with optional orifice kit.

Jandy.com | 1.800.822.7933

©2021 Zodiac Pool Systems LLC. All rights reserved. ZODIAC® is a registered trademark of Zodiac International, S.A.S.U., used under license. All other trademarks are the property of their respective owners. 2103_SL



1-Year Commercial limited Warranty