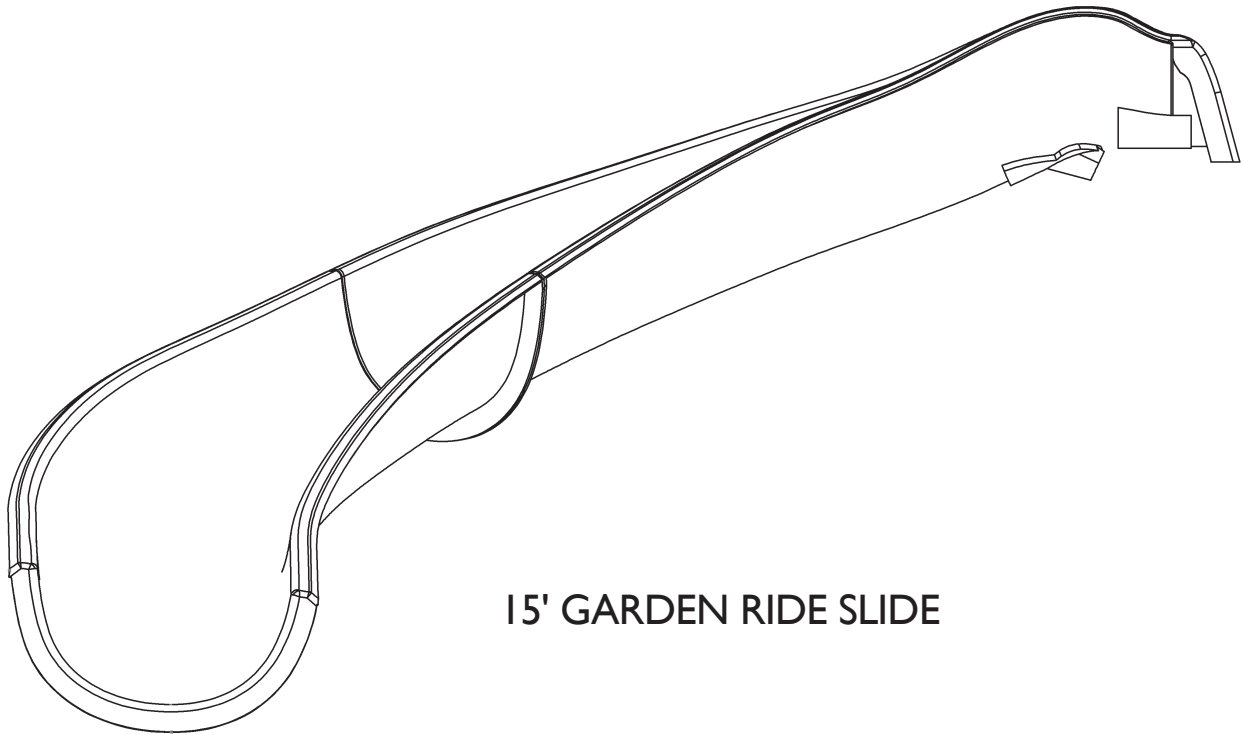




15' GARDEN RIDE SLIDE

ASSEMBLY & INSTALLATION INSTRUCTIONS



15' GARDEN RIDE SLIDE

ATTENTION INSTALLERS: PLEASE DELIVER AND REVIEW THIS MANUAL WITH HOMEOWNER.

S.R.Smith, LLC
Canby, Oregon | 800.824.4387

srsmith.com

Copyright© 2019 S.R.Smith. All rights reserved.



WARNING: IMPORTANT INSTALLATION INFORMATION

The installation of this product should be done only by a licensed and professional installer. Installation should be done strictly in conformance with all local building codes, electrical codes and other building and safety laws and regulations. Among other things, that your installer should carefully analyze the need to bond the product to prevent an electrical hazard. Failure to properly install this product could result in a dangerous condition, including but not limited to electrical and or structural hazards. S.R.Smith. disclaims all liability arising from the installation and the user assumes all risk associated with the installation.

For Technical Support or Assistance, Contact Customer Service at:

Canby, Oregon | 800.824.4387

Tucson, Arizona | 800.737.5386

srsmith.com

For warranty information:

srsmith.com/warranty

To obtain complete copies of the ANSI/APSP/ICC-5 2011 Standard for Residential In-ground Pools or to obtain copies of the “Plan Your Dive, Steer Up” or “The Sensible Way to Enjoy Your In-ground Swimming Pool” contact:

The Association of Pool & Spa Professionals (APSP)

2111 Eisenhower Ave.

Alexandria, VA 22314

(703) 838-0083

www.theapsp.org

TABLE OF CONTENTS

Intended Use Instructions.....2

Water Safety Envelope.....3

Slide Placement/Deck Requirements.....4-5

Slide Measurements.....6

Slide Components7

Installing Landing Pads.....8

Connecting Flumes.....8

Connecting Handrails.....9

Using Support System.....9

 Pre-Assemble Foot Receivers.....9

 Attach Leg Supports to Landing Pads.....10

 Place Slide in Position.....10-11

 On-Deck Installation.....11

 In-Deck Installation.....12

 Attach Water Supply.....12

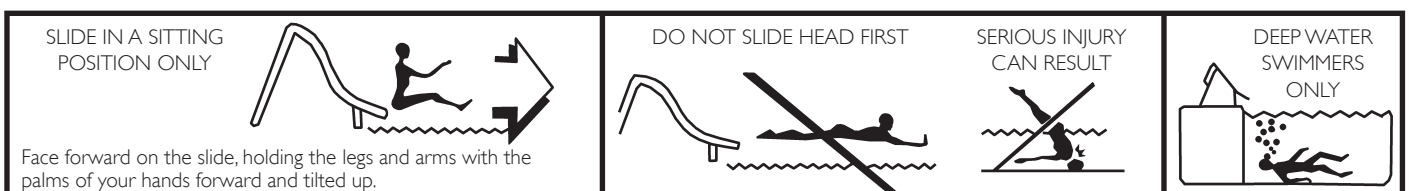
Slide Care & Maintenance.....13

 **WARNING**

INTENDED USE INSTRUCTIONS

1. Everyone who uses this slide must know, understand and follow these instructions
2. The ANSI/APSP/ICC-5 2011 standard for above ground pools prohibits the use of slides or diving boards on above ground pools.
3. This slide should never be installed on above ground pools, ponds, floating docks or platforms, boat docks or houseboats or any natural body of water.
4. Be familiar with the shape and depth of the pool before you slide. This slide should only be used with the proper water safety envelope, as described in Diagrams A, B & C on page 3 and in accordance with the slide positioning diagrams on pages 4.
5. Because the slide may only be used in water 4.5' deep or greater, all slide users must be able to swim in deep water.
6. Weight limit for this slide is 350 pounds, no slider weighing more than 350 pounds may use this slide.
7. The surface of the slide is very slippery when wet; USE CAUTION when entering the slide and when transitioning from standing to sitting.
8. Slide in a feet first sitting position ONLY.
9. IMPORTANT: sliding headfirst is prohibited: serious spinal injury resulting in paralysis or death can result.
10. Maintain adult supervision at all times.
11. Only one person at a time is allowed on the slide.
12. Be sure the water delivery system is on and lubricating the slide prior to use.
13. Collision with another swimmer or a diver can result in serious injury or death for one or both persons: Before sliding, always make sure that the path in front of the slide is free from any (including submerged) obstructions including other people or objects in the pool such as rafts, inner tubes etc. When a diving board is also present, make sure you do not use the slide while someone is on or using a diving board. Take turns.
14. No roughhousing or horseplay should be allowed on the slide at any time.
15. Do not stand, jump or dive from any part of the slide.
16. Do not slide on objects such as rafts or inner tubes. doing so greatly increases your risk of injury.
17. Do not slide through or at objects such as rafts or inner tubes, doing so greatly increases your risk of injury.
18. Do not use this slide if physically impaired or handicapped without your doctor's permission.
19. Do not use this slide with a history of heart conditions, seizures, back problems, fainting or fear of heights.
20. Do NOT use this slide if you are pregnant.
21. Do not drink alcohol and use this slide.
22. Don't take chances, inspect the slide at least once a year (see the slide inspection list on page 16, do not use the slide if any part becomes loose, damaged, weakened or broken. If necessary, before using the slide again, have it inspected and repaired by a competent professional familiar with pool slides.

WARNING: SERIOUS INJURY OR DEATH CAN RESULT FROM THE IMPROPER INSTALLATION OR USE OF THIS SLIDE.



When installed according to these instructions, this slide conforms to Consumer Product Safety Standard Guidelines.

WATER SAFETY ENVELOPE

DIAGRAM A
(NOT TO SCALE)

A minimum water depth of three feet (3') under the exit of the slide which increases to a depth of four feet six inches (4'6") at point A which is located four feet six inches (4'6") from the back wall of the pool. A minimum depth of four feet six inches (4'6") must be maintained at a distance of nine feet (9') along the centerline of the slide from point A. The above described water depth profile shall extend a minimum of three feet six inches (3'6") on either side of the centerline of the slide. (See Diagrams A, B & C)

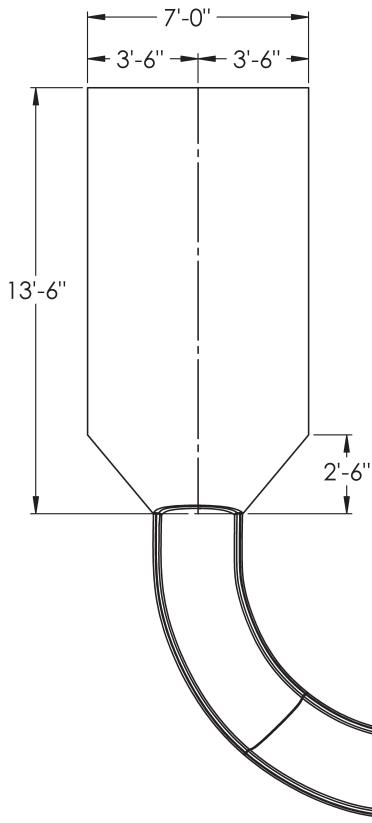
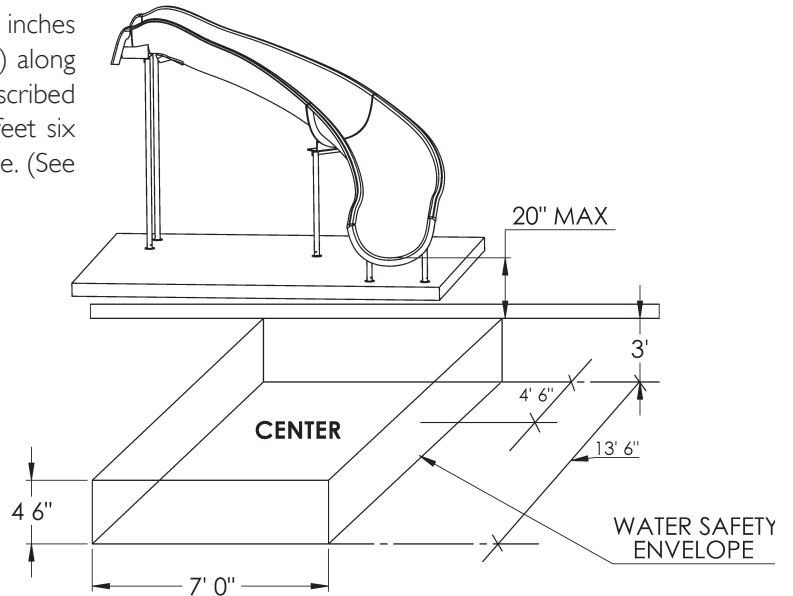
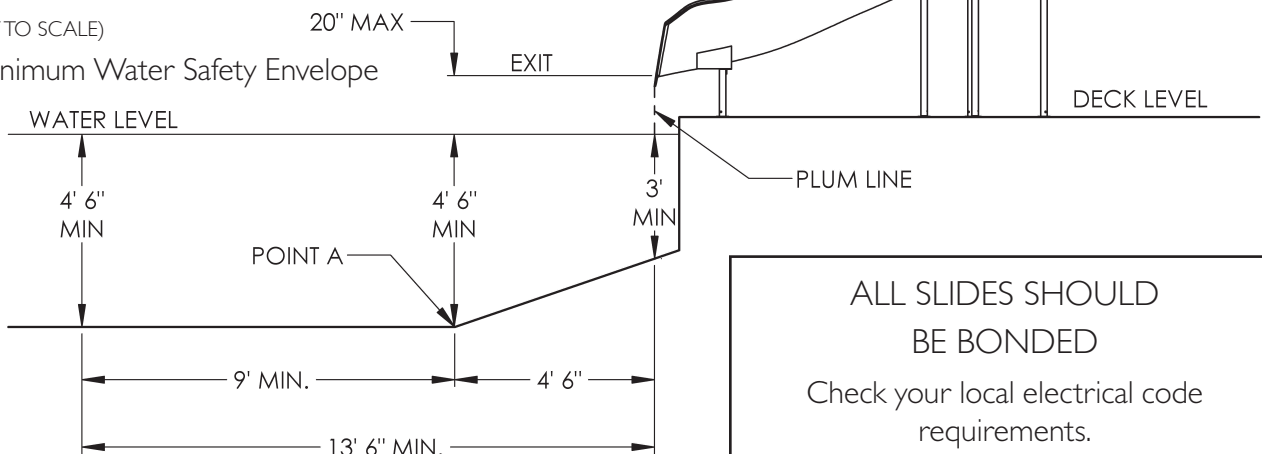


DIAGRAM B
(NOT TO SCALE)
Minimum Slide
Clearance Area

DIAGRAM C
(NOT TO SCALE)

Minimum Water Safety Envelope



ALL SLIDES SHOULD
BE BONDED
Check your local electrical code
requirements.

SLIDE PLACEMENT

If the slide meets the pool edge at an angle, then the outside curve "Pivot A" has to be at the pool edge. Refer to Diagram D & E below.

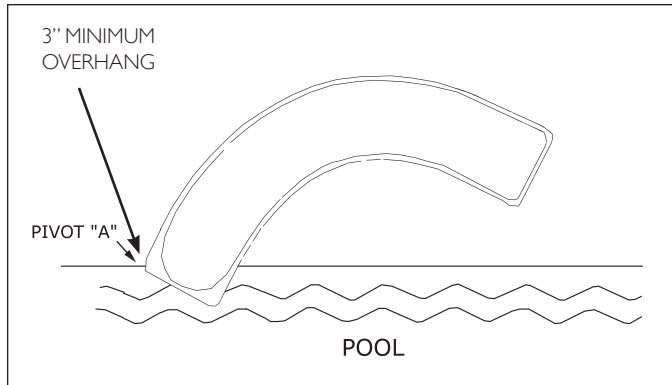


DIAGRAM D
(NOT TO SCALE)

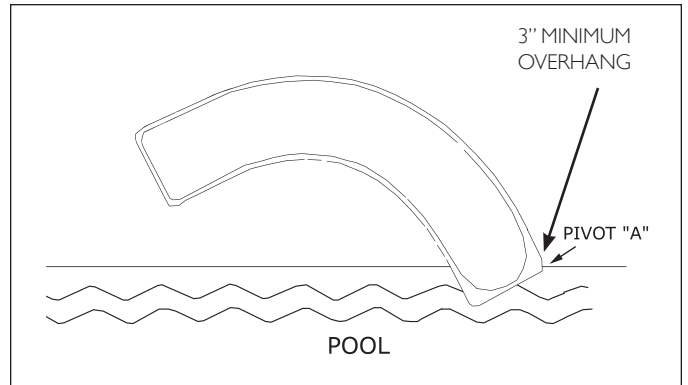


DIAGRAM E
(NOT TO SCALE)

If the slide meets the pool edge straight on, then the end of the exit section should be parallel with the pool edge. Refer to the Diagram F below.

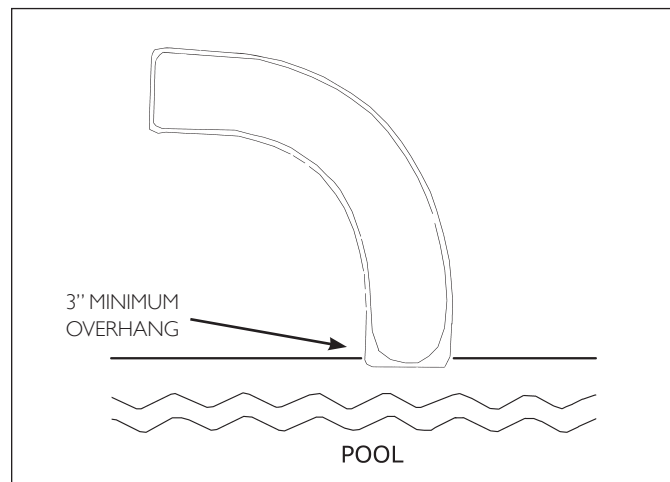


DIAGRAM F
(NOT TO SCALE)

NOTE: The exit point of the flume can be no higher than 20" above the water.

MINIMUM DECK REQUIREMENTS

DIAGRAM G
(NOT TO SCALE)

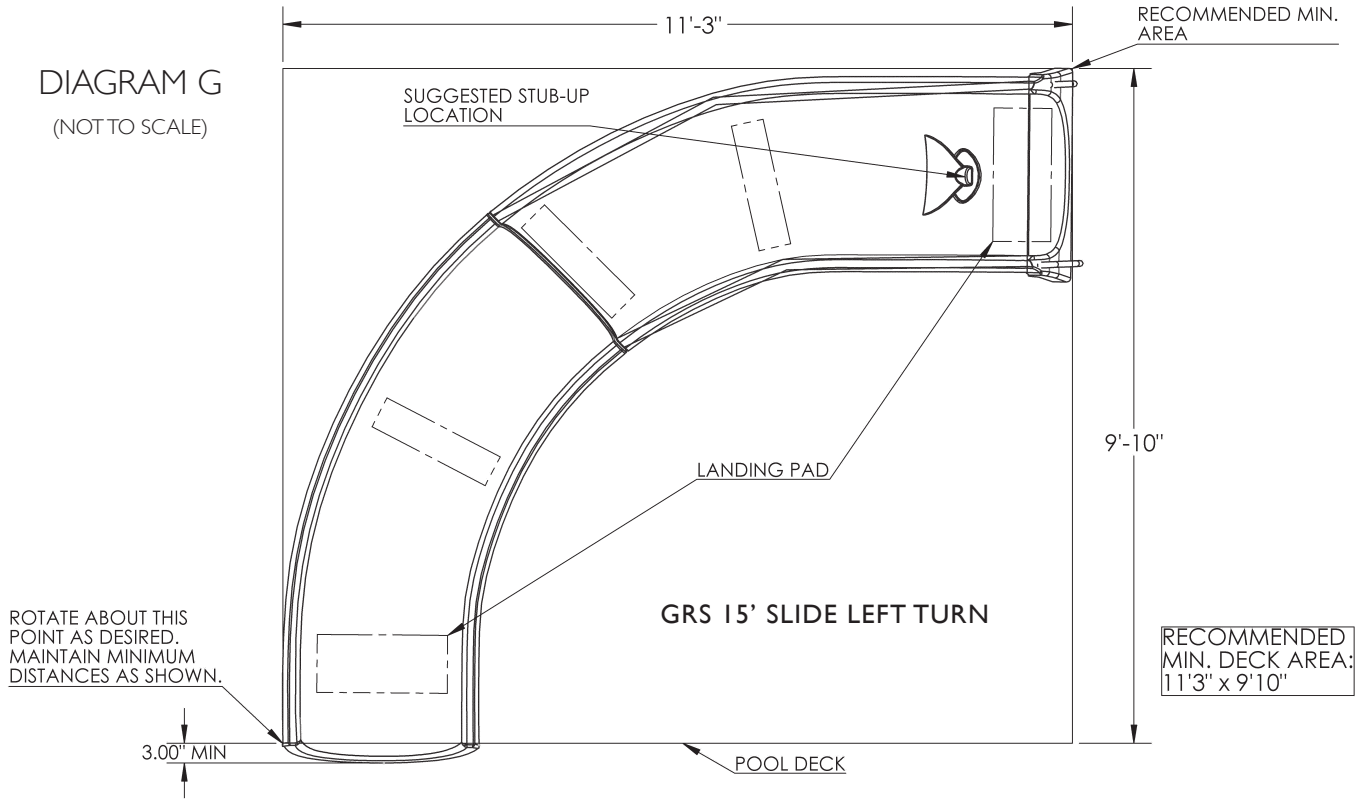
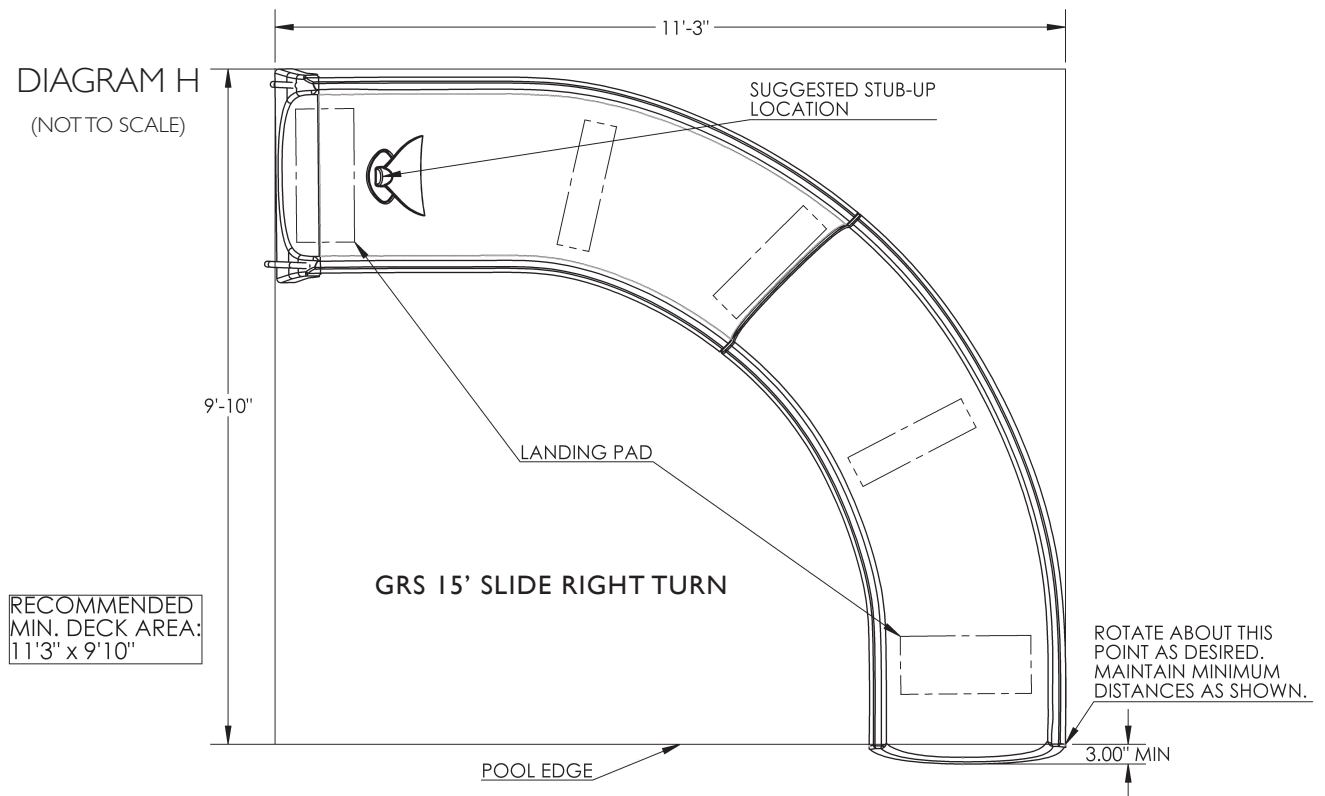
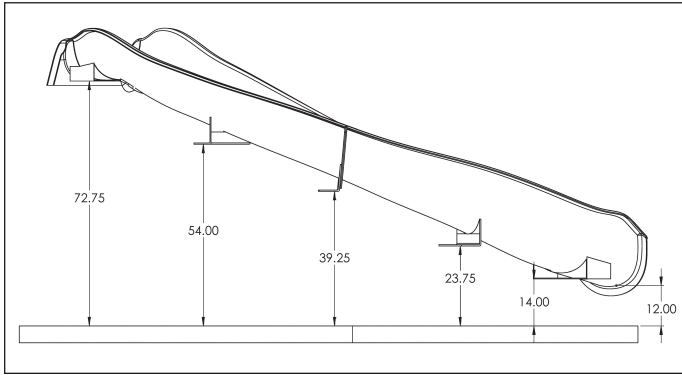


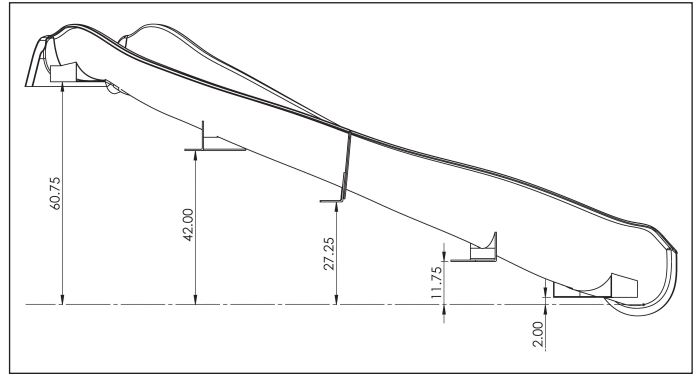
DIAGRAM H
(NOT TO SCALE)



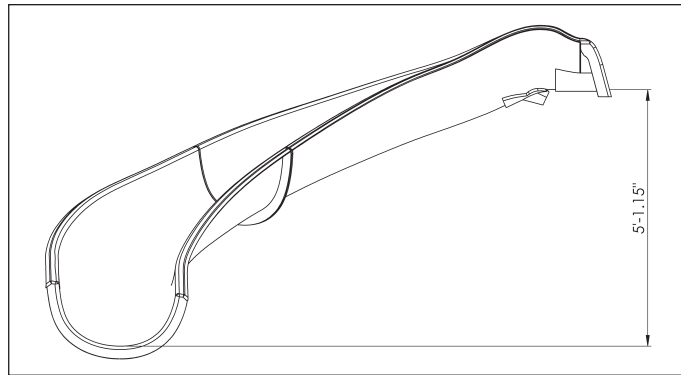
MEASUREMENTS: 15' GRS LEFT TURN



LEFT TURN WITH SUPPORTS

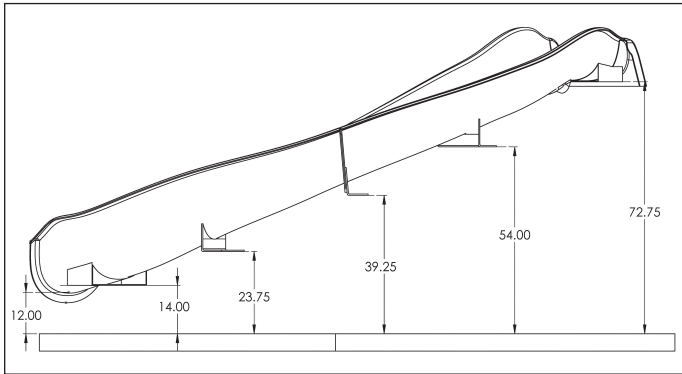


LEFT TURN WITHOUT SUPPORTS

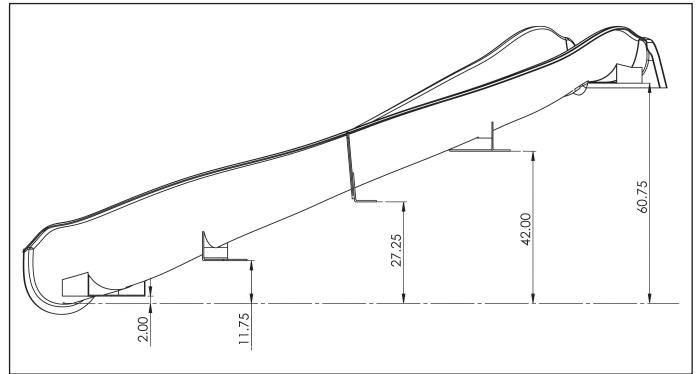


LEFT TURN HEIGHT

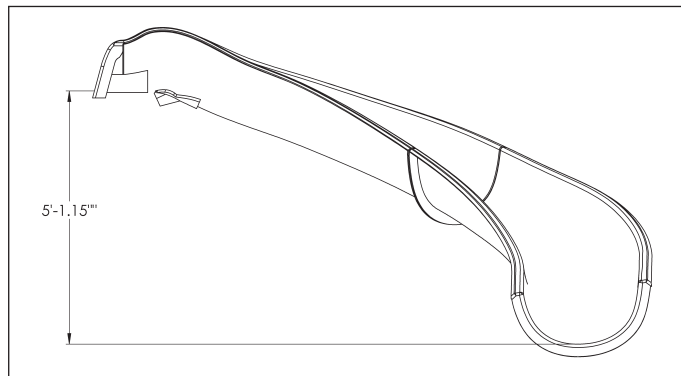
MEASUREMENTS: 15' GRS RIGHT TURN



RIGHT TURN W/SUPPORTS



RIGHT TURN WITHOUT SUPPORTS



RIGHT TURN HEIGHT

SLIDE COMPONENTS:

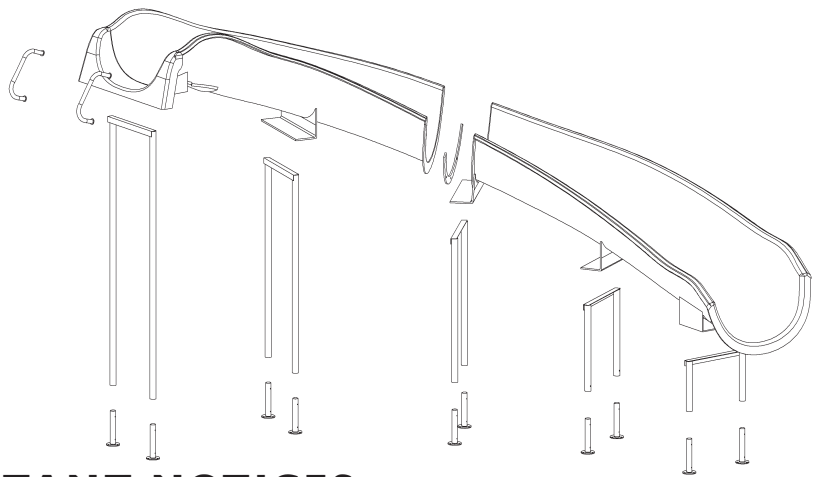
15' GARDEN RIDE SLIDE SERIES

Centerline Length:	194"
Starting Elevation:	73-1/8"
Flume Width:	28"
Flume Depth:	15"
Water Flow (GPM):	40
Entry Section:	1
Exit Section:	1
Handrails:	2
Entry Mid Section	
Landing Pad:	1
Exit Mid Section	
Landing Pad:	1
Flume to Flume	
Landing Pad:	1

ANCHOR COMPONENTS:

15' SUPPORT SYSTEM

Exit Section Support:	14"
Mid Section Exit Support:	23-3/4"
Flume to Flume Support:	39-1/4"
Mid Section Entry Support:	54"
Entry Section Support:	72-3/4"
Flanged Feet:	10
3/8 Wedge Anchors	30



IMPORTANT NOTICES

S.R.Smith recommends that you read the Garden Ride Slide Installation Manual in its entirety before attempting an installation.

- S.R.Smith recommends using the Garden Ride Slide Support System for the installation. The Support System ensures proper installation of the slide. S.R.Smith does not warranty installations of the Garden Ride Slide installed without the support system. Please visit srsmith.com/warranty for more information.
- It is highly recommended that provision be made for future maintenance and/or removal of the slide from the substrate, if necessary. Do not fully encase the slide in concrete or permanently fixed structure/material.
- Do not construct objects or formations along or over the slide pathway that obstruct the pathway for sliders or cause potential harm to the head, arms or legs. Minimum recommended head clearance above the slide pathway is 7 feet.
- Minimum Garden Ride Slide water envelope is 7' wide (centered on slide) x 13.5' long x 4.5' deep.
- The exit section must be installed with the correct alignment to the pool edge with a minimum overhang of 3" and should be supported at the fiberglass landing plate.
- Zoom Flume water delivery system requires a 1" PVC flex hose. For best performance, the recommended water flow at the slide is 20-40 GPM, connecting a ball valve in line is recommended for water flow adjustment. NOTE: Connect the Zoom Flume water delivery system to water source and test for leaks or defects prior to final assembly/installation.
- See page 13 of installation manual for Garden Ride Slide Care and Maintenance.

15' GARDEN RIDE SLIDE ASSEMBLY

INSTALLING LANDING PADS:

Using cardboard to place under the slide sections so as not to damage the finish; lay both the upper and lower flume sections upside down. Each flume section has a yoke support that requires attachment of a 90° Landing Pad. (See Figure 1) Install pad on the side of flange towards pool, attach the Upper and Lower Landing Pads to the Mid Section Supports (Exit and Entry) using 3/8" x 1-1/2" stainless steel bolt, flat washer, lock washer and nut. **Make sure to use the provided Anti-Seize on all hardware.**

Note: The two Yoke Landing Pads have four (4) attachment holes and the single Flume to Flume Landing Pad has three (3) attachment holes. (See Figure 2)

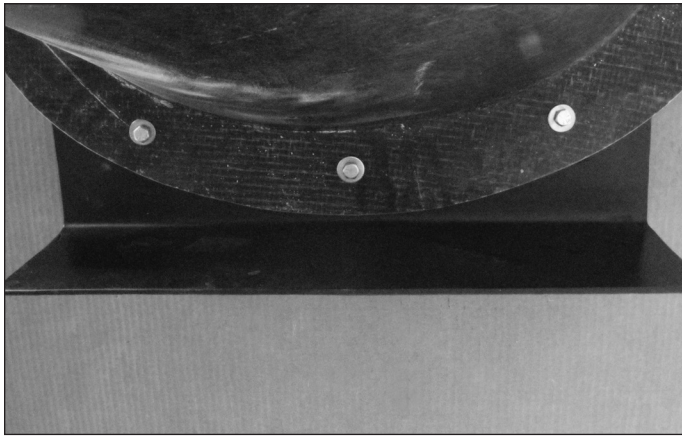


FIG. 1

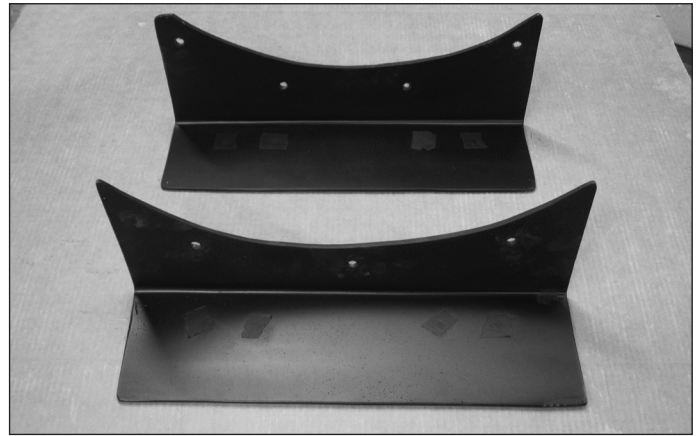


FIG. 2

CONNECTING FLUMES:

NOTE: Temporarily connect the Zoomer Flume™ water delivery system to a water source and test for leaks or defects prior to assembly/installation.

Align the two flume sections and line up the Center Landing Pad along the upper flume flange, using the provided 3/8" stainless steel hardware, place a flat washer on the 3/8" x 1-3/4" bolt and push the bolt and the two flume sections and landing pad on pool side of flange, secure with the other flat washer, lock washer and nut. (See Figure 3) Make sure to use the provided Anti-Seize on all hardware. Hand tighten all seven flange bolts. With a minimum of three (3) persons, turn the slide sections over. Check that the two flumes are aligned correctly by running your hand along the sliding surface. You want to ensure a smooth transition between the two sections, adjust sections as needed. When both are aligned properly, utilizing a torque wrench, tighten each nut to approximately half of the maximum 25 ft. lbs. Tighten the bolts in an alternating fashion working from Left to Right starting with the center bolt, working your way up the flange. (See Figure 4) Tightening the bolts in this sequence is necessary to compress the gasket evenly.

Repeat the same tightening process until the specified 25 ft. lbs. is reached at each bolt. **DO NOT OVERTIGHTEN. Using greater force may fracture the fiberglass.**

CONNECTING HANDRAILS:

Install the handrails (See Figure 5) for the correct orientation, use the provided 3/8" x 1" stainless steel bolt, flat washer and lock washer to attach - *do not over tighten*.



FIG. 3



FIG. 4

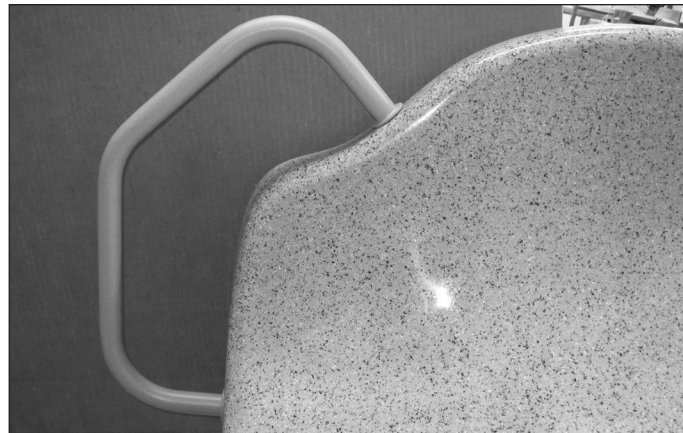


FIG. 5

INSTALLATION GUIDE FOR 15' GARDEN RIDE SLIDE USING SUPPORT SYSTEM:

The GRS Support System is to be used on a flat grade concrete surface; for in-deck or on-deck installation. For a 15' GRS (both Left and Right turn) the recommended minimum deck area: 12' 3" x 9' 10" x 4"

The Support System is designed to easily orient the slide to ensure proper elevation starting at the entry section 73-1/8" to the exit section at 12" above the deck.

PRE-ASSEMBLE FOOT RECEIVERS:

Attach a deck anchor to each leg support with a 2-1/2" x 1/4" stainless steel bolt, flat washer, lock washer and nut as shown. (See Figure 6) Hand tighten only.

ATTACH LEG SUPPORTS TO LANDING PADS:

While the slide is still upside down, you may attach the short legs to the Exit Section Landing Pad which is pre-drilled to accept the bracket. Make sure to use the provided Anti-Seize on all hardware. Place the provided 3/8" flat washer on a 3/8" x 1-1/2" stainless steel bolt, from the underside of the Exit Section Landing Pad through the stainless steel leg bracket, place a flat washer, lock washer and nut to secure. (See Figure 7) Repeat the process for the other three pre-drilled holes. Hand tighten only.

With the help of others, you will now flip the slide right side up. Have two people lift up and hold the Entry Section and attach the Entry Support Legs to the Entry Section Landing Pad. Use Anti-Seize and Hand tighten only. Work your way down the slide and attach all remaining Support Legs.

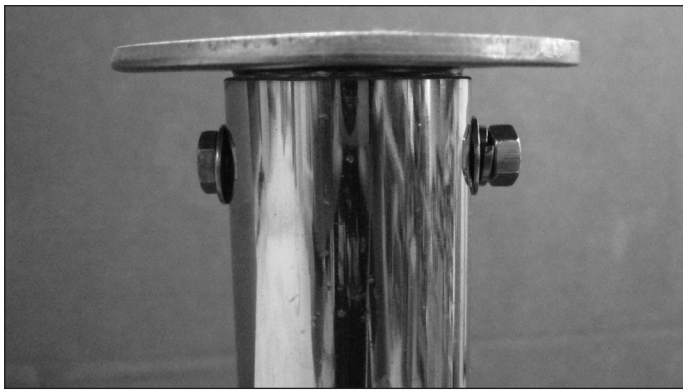


FIG. 6



FIG. 7

PLACE SLIDE IN POSITION:

Using three to four people, gently move the fully assembled slide to its correct and final position on the deck. The Exit Section should be placed so all water runs into the pool, the minimum overhang is 3". The front leg(s) cannot be positioned any closer to the water's edge than 12". (See Figures 8A & 8B)

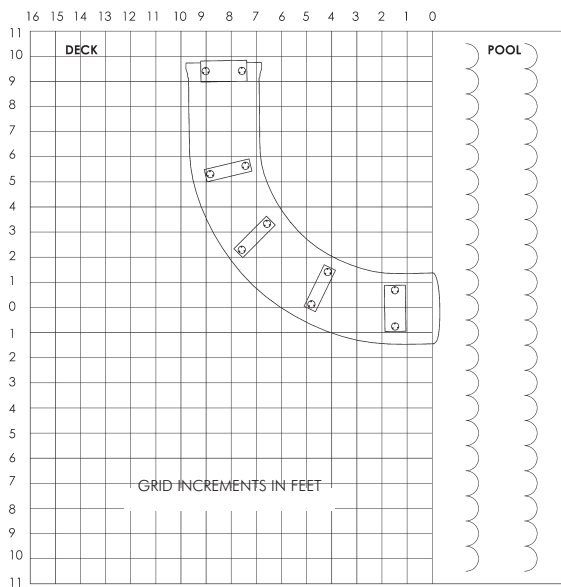


FIG. 8A – 15' GRS LEFT TURN

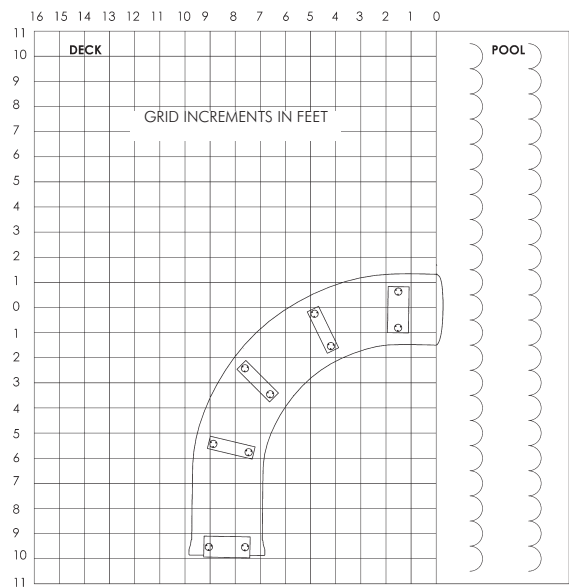


FIG. 8B – 15' GRS RIGHT TURN

Once placement has been determined, starting from the Exit Section, align leg supports using a bubble level ensure both legs are straight (plumb). (See Figure 9) Hand tighten the leg supports to the Landing Pads. Work your way up the slide until all leg supports had been tightened and all legs are plumb.



FIG. 9

ON-DECK INSTALLATION:

Using the deck anchor flanges as a template, mark the locations for the anchor bolts. Gently move the slide to one side. Using a 3/8" masonry drill bit and a hammer drill, drill holes 1-3/4" – 2" deep, make sure you drill to the correct depth and make sure not to drill all the way through the deck. Clean debris from holes using a shop vacuum or garden hose. Reposition the slide and align the anchor flanges to the holes. Place a 3/8" wedge anchor through the anchor flange into each hole, and gently hammer the bolt into the deck leaving 3/4" – 1" of the bolt above the anchor flange – make sure the anchor goes in straight. Put anti-seize on the wedge anchor, then the flat washer, lock washer and nut. Secure the nuts on the bolts but do not over tighten. (See Figure 10)

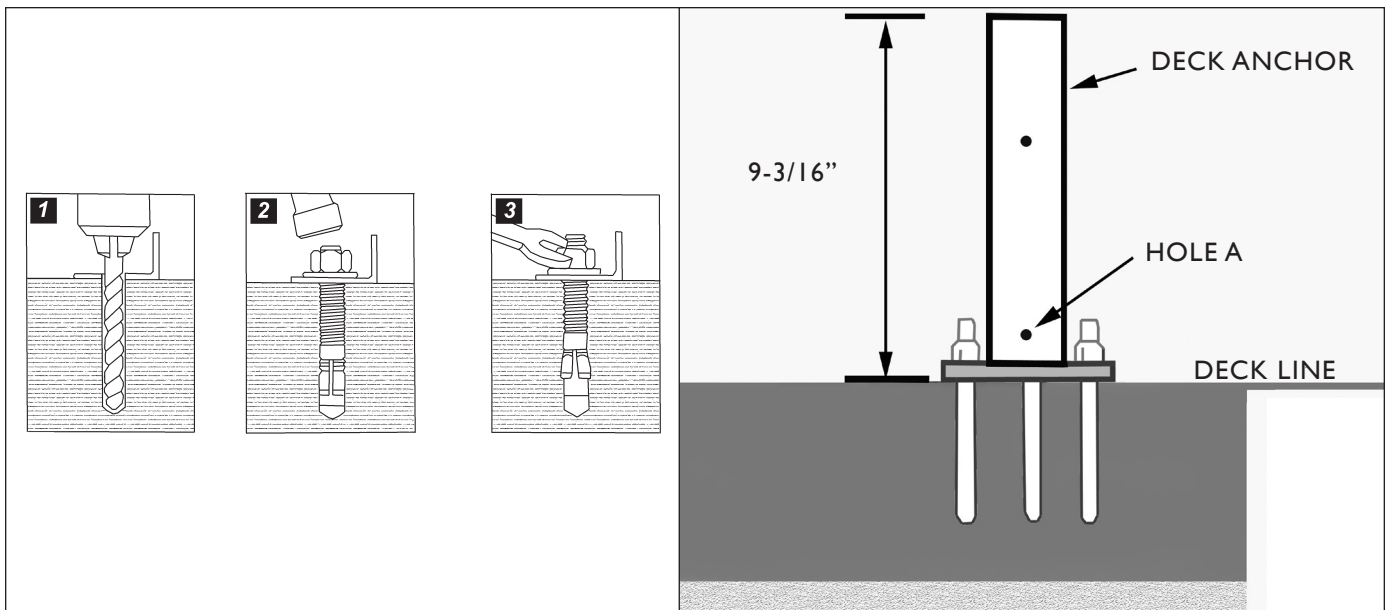


FIG. 10

FINAL TIGHTENING OF ALL CONNECTIONS:

Tighten the 1/4" bolts from Leg to Deck Anchor. Move to the bottom of the slide and tighten all Leg Supports to their Landing Pads.

IN-DECK INSTALLATION:

Attach slide legs to the higher of the 2 bolt holes on the deck anchor "Hole B", make a mark with a marking pen or duct tape 4-1/4" from the bottom of the deck anchor; shim the legs so the mark you made on the deck anchor is flush with the finished deck, using a bubble level ensure the legs are plumb. Pour concrete to secure legs, ensure the proper footing depth is maintained under the deck anchor. (See Figure 11)

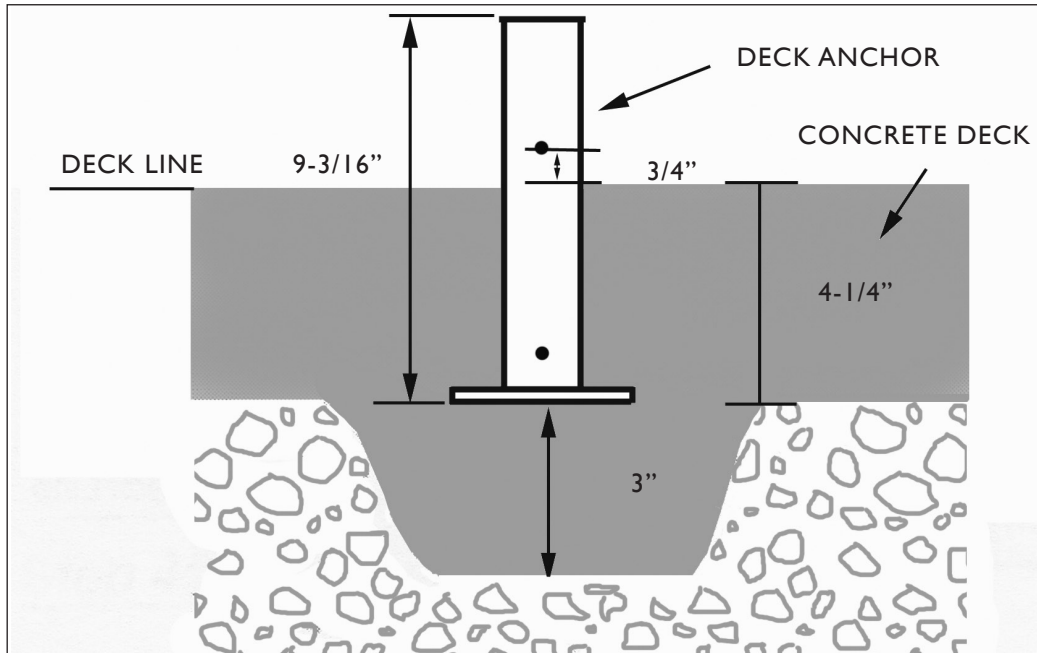


FIG. 11

ATTACH WATER SUPPLY TO SLIDE:

Your Garden Ride Slide is equipped with a 1" Female Slip adapter. A dedicated 1-1/2" water stub up should be plumbed to your slide location. We recommend you plumb the slide with 1" PVC flex hose using a reducer to connect to the stub up. For best performance, the recommended water flow at the slide is 20-40 GPM.

Glue and slip the 1" PVC flex hose into the 1" female fitting on the underside of the Entry Section. (See Figure 12) Use PVC primer and glue (not included) as required. A ball valve is recommended to allow the water flow to be adjusted.



FIG. 12

GARDEN RIDE SERIES SLIDE CARE & MAINTENANCE

Your Garden Ride slide requires periodic maintenance to keep it looking like new and protected from the elements.

- Wash slide monthly or more frequently if needed using a mild soap and soft cloth. Keep cleaning materials from entering pool.
 - Do not use abrasive cleaners, bleaches, chlorines, high alkaline or strong acidic cleaners.
 - Do not use steel wool, wire brushes, metal scrapers, Scotch Brite or other abrasive sponge pads.
- Keeping your slide's gel coat finish coated with wax – starting when the slide is new – is the best way to prolong its life.
 - Choose a wax intended for use on gel coat surfaces. Preferably one designed for use in a Marine environment.
 - Test product on small inconspicuous section of slide prior to full application.
 - While application instructions will vary between brands of wax, in general you apply the wax with a cloth or foam pad using circular motion. Once wax dries to a haze, buff the excess with a soft dry cloth.
 - Routine waxing (at least twice a year) will maintain the smooth reflective surface of your slide.

