

# 9" SQUARE WAVE ANTI-ENTRAPMENT SUCTION OUTLET COVER WITH 3" SOCKET SUMP



**VGB CERTIFIED  
SPECIFICATIONS**

**Floor Flow Rating**  
224 GPM at 1.5 fps

**Wall Flow Rating**  
224 GPM at 1.5 fps

**Sump Depth**  
*Use sump included*

**Open Area**  
48.4 in<sup>2</sup>

## FEATURES

All components meet or exceed ANSI/APSP 16-2011 and NSF/ANSI 50-2009a national standards and ASTM G154 UV testing exposure

Sump manufactured from strong PVC sump with 3" socket and 4" spigot side port, and 2" socket 2½" spigot bottom port

Manufactured from superior UV-resistant engineered polymers

Comes with 3" and 2" NPT cap with o-ring for pressure testing and winterizing

#316 stainless steel screws

Trademarked VGB compliance button easily identifies VGB 2008 compliant cover from on deck and underwater

Online product support including downloadable CAD files, General Certificate of Conformity, third-party certificate, installation instructions and more

Replace drain cover every five years from the date of installation

1 per case

**NEW** Hassle-free pressure testing and winterizing



*Optional 2" hydrostatic relief valve available p/n SK43101*

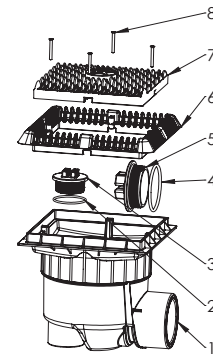
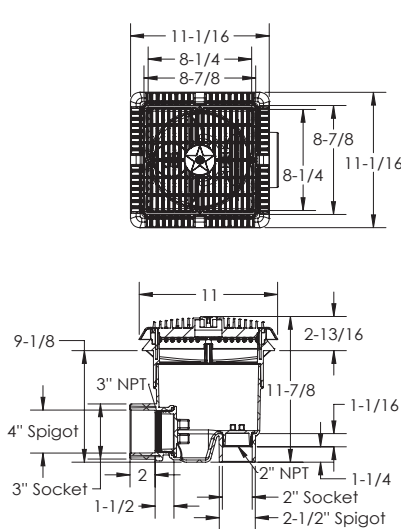
**Hassle-free  
pressure testing and winterizing**  
Comes with a 3" and 2" NPT cap with O-ring. *No knock-outs required.*

Part # WAV9WRxxxSSB

## STANDARD COLORS

- WAV9WR101SSB – White
- WAV9WR102SSB – Black
- WAV9WR103SSB – Light Gray
- WAV9WR104SSB – Blue
- WAV9WR105SSB – Dark Gray
- WAV9WR108SSB – Tan

**VGB 2008 Compliant**



1. Side Port Sump Bucket, 9" Square Frame
2. 2" Plug O-Ring
3. 2" NPT Plug
4. 3" Plug O-Ring
5. 3" NPT Plug
6. 9" Square Riser Ring
7. 9" Square "Wave" Suction Outlet Cover
8. 10 x 13/4" Flat Head Phillips, 316 SS, Qty 4

P 877-768-2717 F 877-276-POOL Outside the US: P +1-949-336-1940 F +1-949-336-1940  
 info@aquastarpoolproducts.com www.aquastarpoolproducts.com