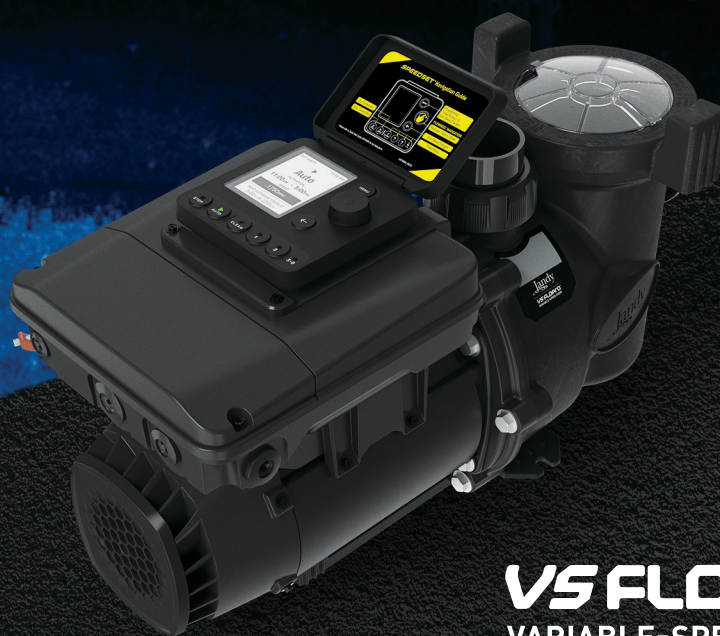


**VS FloPro 1.85 HP**  
DUAL VOLTAGE, 2-AUX RELAY VS PUMP



Jandy®

**DUAL VOLTAGE.  
IDENTICAL  
PERFORMANCE.**



TRADE SERIES  
**EXCLUSIVE**

**VS FLOPRO™**  
VARIABLE-SPEED PUMP



# There's no need to sacrifice your pump's power.

The ideal replacement for high energy-consuming single-speed pumps up to 1.5 HP, the 115V/230V dual voltage VS FloPro™ 1.85 offers the same performance at both voltages.

## • 115v/230v Dual Voltage

With the ability to provide the same head pressure and flow rates at both 115V and 230V, the VS FloPro 1.85 eliminates the need for expensive main power rewiring without compromising performance.

## • Programmable Auxiliary Relays for Instant Automation

Two programmable auxiliary<sup>1</sup> relays allow the pump to control other equipment, such as a salt chlorinator and booster pump, without a separate timeclock.



## • Lower Electricity Costs

Save over \$850<sup>2</sup> per year in energy costs! The variable-speed motor allows for dramatic energy savings and quieter operation.

## • Our Quietest Variable-Speed Pump

Over 40% quieter<sup>3</sup> than other Jandy® variable-speed pumps, the VS FloPro 1.85 HP features proprietary sound dampening motor technology allowing it to operate with noticeably less noise.

## • Choose Your Own Controller

Designed to work with the following Jandy control systems for complete programmability and customization:

- > Jandy SpeedSet™ Controller (included and preinstalled from factory on all DV2AS models)
- > iQPUMP01 with iAquaLink® App Control
- > Jandy AquaLink® Automation Systems
- > JEP-R Controller

## • Additional Features

- > Adjustable base for seamless direct replacement of a variety of other pumps in the aftermarket
- > Zero Clearance TEFC Motor for cool, quiet operation in tight spaces
- > 2" unions included or utilize 2" internal threads
- > Easy Controller Setup auto-detects connection to an automation system or a traditional controller, eliminating the need to adjust settings manually
- > RS485 Quick Connect Port for faster installation and maintenance
- > Four-Speed Dry Contact Relay Control
- > Tool-free lid for easy debris removal
- > Ergonomic easy-transport handle

A Fluidra Brand | Jandy.com | 1.800.822.7933

©2022 Zodiac Pool Systems LLC. All rights reserved. ZODIAC® is a registered trademark of Zodiac International, S.A.S.U., used under license. All other trademarks are the property of their respective owners. 53061\_SL

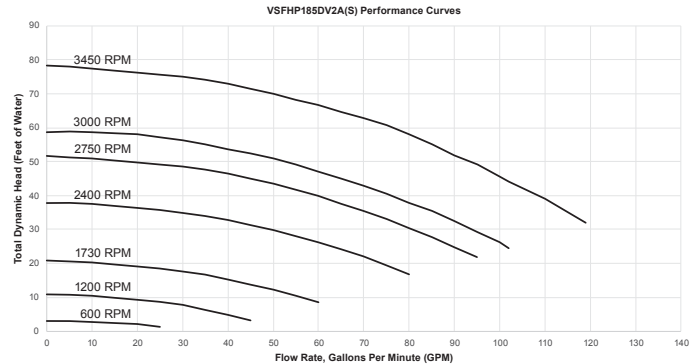
## MODELS

Model No.	Option Description
VSFHP185DV2AS	VS FloPro 1.85 HP, SpeedSet Controller Preinstalled
VSFHP185DV2A	VS FloPro 1.85 HP, Controller Sold Separately

## SPECIFICATIONS

Model No.	THP	WEF <sup>4</sup>	Voltage	Max Watts	Amps	Union Size	Rec. Pipe Size <sup>5</sup>	Carton Weight	Overall Length
VSFHP185DV2A(S)	1.85	8.5	230 VAC 115 VAC	1,700W 1,800W	7.5 15.5	2"	1 1/2" – 2 1/2"	53 lbs.	24 1/2"

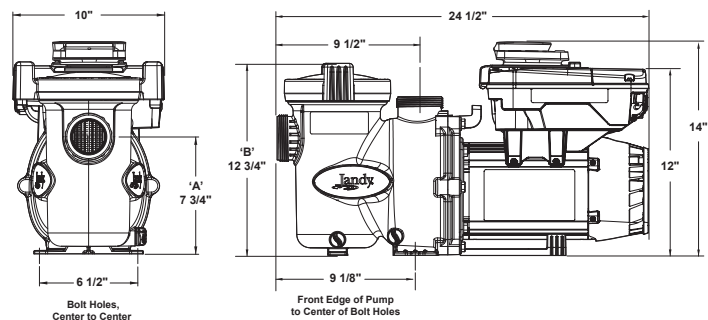
## PERFORMANCE



## ADJUSTABLE BASE CONFIGURATIONS<sup>6</sup>

Base	Fits	'A' Dimension	'B' Dimension
No Base	Hayward® Super Pump® Pentair® SuperFlo® Sta-Rite® SuperMax®	7 3/4"	12 3/4"
Small Base	Hayward Super II™ Jandy PlusHP and MaxHP Pumps	8 7/8"	13 7/8"
Small Base w/ Spacers	Pentair WhisperFlo® Sta-Rite Dyna-Glas™	9 1/8"	14 1/8"
Small Base + Large Base	Sta-Rite Max-E-Pro® Sta-Rite Dura-Glas® Sta-Rite Dura-Glas II Sta-Rite Max-E-Glas®	10 3/4"	15 3/4"

## DIMENSIONS



<sup>1</sup> Auxiliary relays on all Jandy DV2A and DV2AS pump models are programmable when paired with a Jandy SpeedSet or iQPUMP01 variable-speed pump controller.

<sup>2</sup> Based on a 22,500 gallon pool with two turnovers per day at an energy cost of \$0.195/kWh vs. comparable single speed pumps; when tested in accordance with the applicable requirements of 10 CFR 429.

<sup>3</sup> When compared to the average dB reading of other Jandy variable-speed pumps at 3450 RPM from 6 ft., based on third-party independent lab sound testing.

<sup>4</sup> WEF = weighted energy factor in kcal/kWh. WEF is a performance-based metric adopted by the Department of Energy to characterize the energy performance of dedicated-purpose pool pumps. Department of Energy 10 CFR Parts 429 and 431.

<sup>5</sup> Always follow local building and safety codes for pipe sizing and guidelines.

<sup>6</sup> Small base with spacers included with all FloPro pumps. Large base is optional part R0546400.

