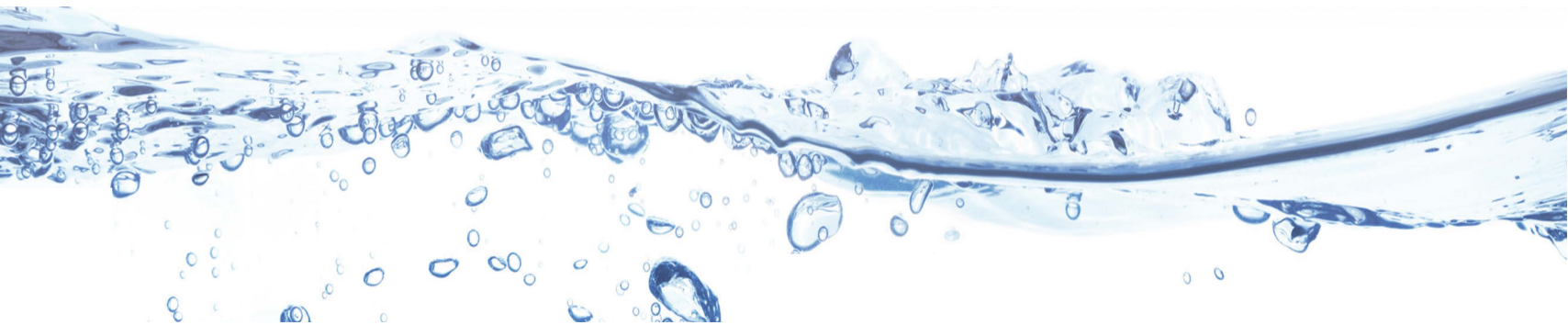


HYDROSTAR PLUS

HIGH PERFORMANCE COMMERCIAL PUMP

Built for aquatic facilities, water parks and large commercial swimming pools. Hydrostar Plus pumps are high performance corrosion free thermoplastic pumps. Designed for maximum efficiency.





Hydrostar Plus Pumps

Hydrostar Plus Pumps incorporate the latest technology in design and construction, to produce a high performance self priming pump. Constructed from an injection molded glass reinforced thermoplastic, its pump body is manufactured utilizing state of the art engineering for extra strength. It's clear polycarbonate strainer lid allows for an instant view of the strainer basket. The pump's lid lock ring is equipped with grip handles for easy removal.

MATERIALS AND DESIGN

Pump Body

- Volute type, back pull-out design.
- Volute & Motor Adapter Glass Fiber Reinforced Polypropylene
- Impeller Glass Fiber Reinforced Polypropylene
- Base 6061 aluminum design, slotted for mounting ease.
- Corrosion Prevention All-plastic pump for maximum hydraulic performance and corrosion prevention.

Port Size

- 6" – ANSI Rated 125 bolted flange suction port1.
- 4"– ANSI Rated 125 bolted flange discharge port1.

Hair & Lint Strainer

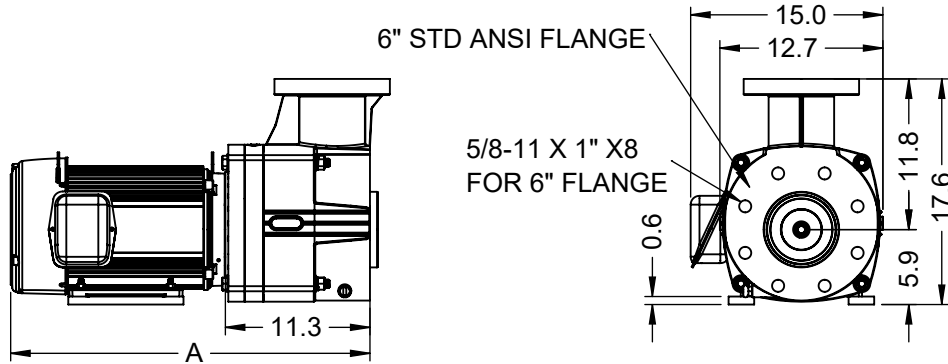
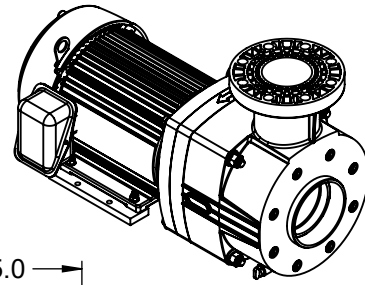
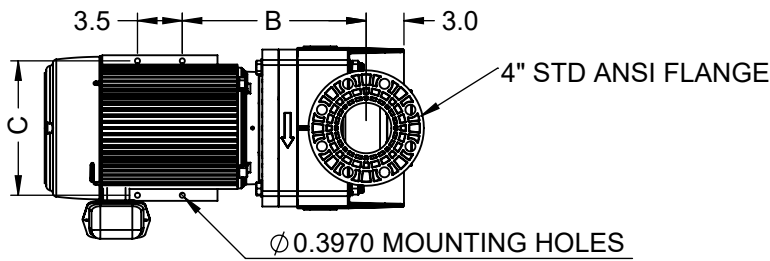
- Material Polypropylene body with plastic basket
- Polycarbonate Rerate bolt-on Glass Fiber Reinforced Polypropylene Thermoplastic lid, and stainless steel bolts.
- 6" ANSI Rated 125 bolted flange suction and discharge ports

Motor

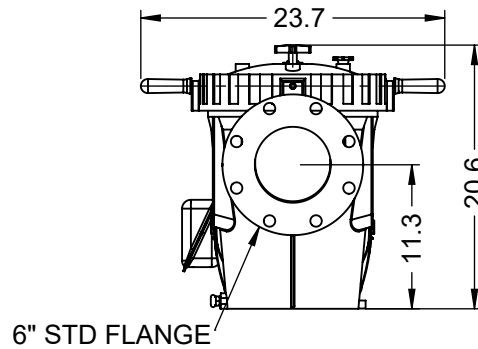
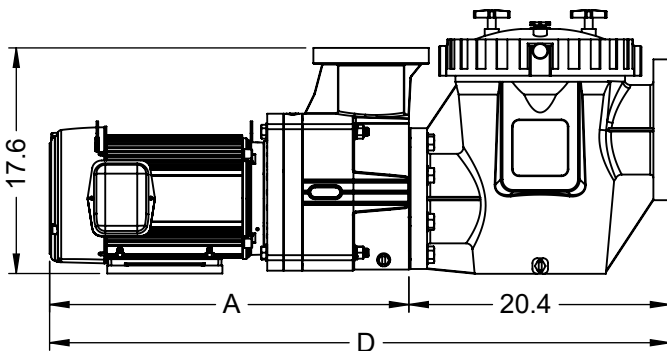
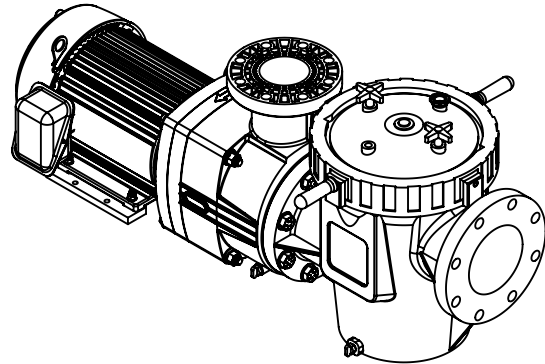
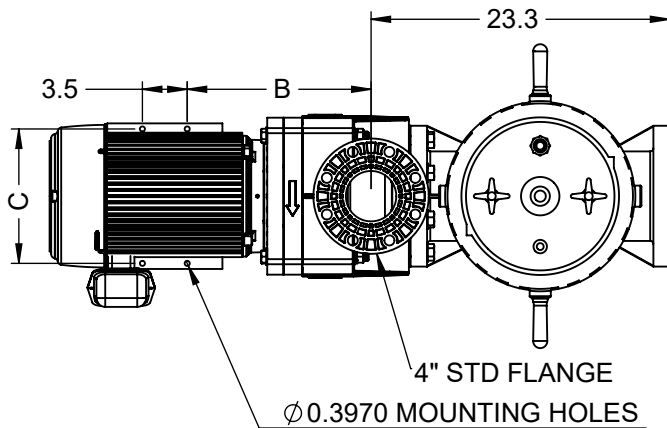
- Standard TEFC, JMZ type, Premium Efficient, Class "F" insulated.
- Frame Size NEMA Rated "C" flange. JMZ TEFC.
- Shaft 303 stainless steel construction.
- Design All Models are TEFC, Continuous Duty, JMZ.
- 5 to 15 HP, 3500 RPM, three-phase.
- 5 to 7.5 HP, 3550 RPM, single-phase.
- Bearings Double-shielded, single row, deep-groove type, permanently lubricated.
- Thermal Overload Protection
- All models of HydroStar Plus require a external thermal overload protector.

Electrical

- Power Supply HydroStar Plus
- 5 to 10 HP three-phase pumps are 208-230/460v.
- 15 HP three-phase pumps are 230/460v only.
- 5 to 7.5 Hp Single-phase models are 230v.



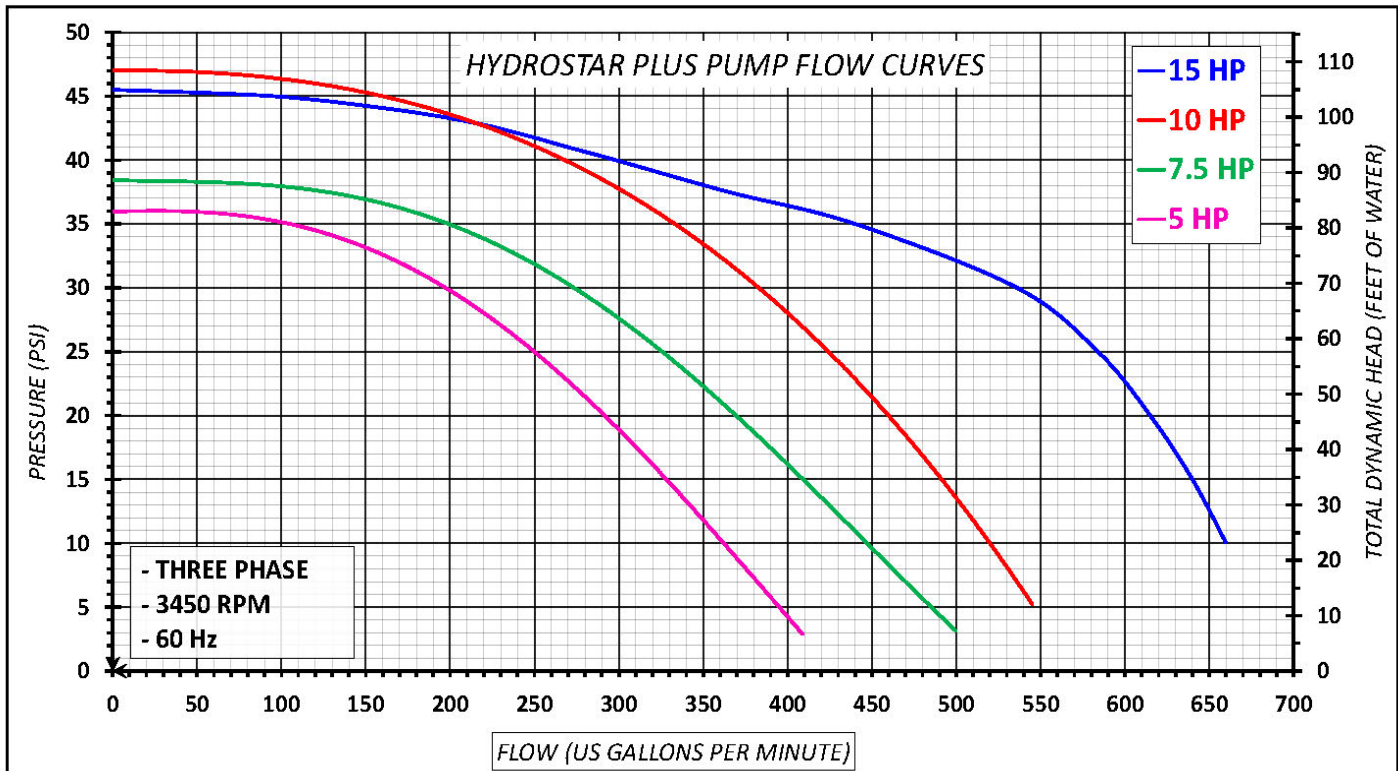
HYDROSTAR PLUS SERIES COMMERCIAL PUMP WITHOUT STRAINER



DIMENSIONS

MODEL	A	B	C	D
2460501A	45.1	11.9	9.6	N/A
2460751A	47	12.6	10.5	N/A
2461001A	48.5	12.6	10.5	N/A
2461501A	48.5	12.6	10.5	N/A
24605006A	45.1	11.9	9.6	24.8
24607506A	47	12.6	10.5	24.8
24610006A	48.5	12.6	10.5	28.1
24615006A	48.5	12.6	10.5	28.1

PUMP CURVES



PART NUMBERS

PART NUMBER	HP	PRODUCT DESCRIPTION	PHASE	VOLTAGE	AMPERAGE	INLET/OUTLET	WT
SINGLE PHASE							
2460507A	5	PUMP WITHOUT STRAINER	1	230	20	6 X 4	95
2460757A	7.5	PUMP WITHOUT STRAINER	1	230	30.4	6 X 4	135
24605007A	5	PUMP WITH STRAINER	1	230	20	6 X 4	130
24607507A	7.5	PUMP WITH STRAINER	1	230	30.4	6 X 4	170
THREE PHASE							
2460501A	5	PUMP WITHOUT STRAINER	3	208-230/460	13.4-12.2/6.1	6 X 4	95
2460751A	7.5	PUMP WITHOUT STRAINER	3	208-230/460	19.9-17.8/8.9	6 X 4	135
2461001A	10	PUMP WITHOUT STRAINER	3	208-230/460	26.4-23.5/11.7	6 X 4	145
2461501A	15	PUMP WITHOUT STRAINER	3	208-230/460	39.0-36.0/18	6 X 4	165
24605006A	5	PUMP WITH STRAINER	3	208-230/460	13.4-12.2/6.1	6 X 4	130
24607506A	7.5	PUMP WITH STRAINER	3	208-230/460	19.9-17.8/8.9	6 X 4	170
24610006A	10	PUMP WITH STRAINER	3	208-230/460	26.4-23.5/11.7	6 X 4	175
24615006A	15	PUMP WITH STRAINER	3	208-230/460	39.0-36.0/18.0	6 X 4	195

Waterco.us 1.800.247.7291

MultiCyclone > Filters >  > Lights > Media > White Goods > Valves