

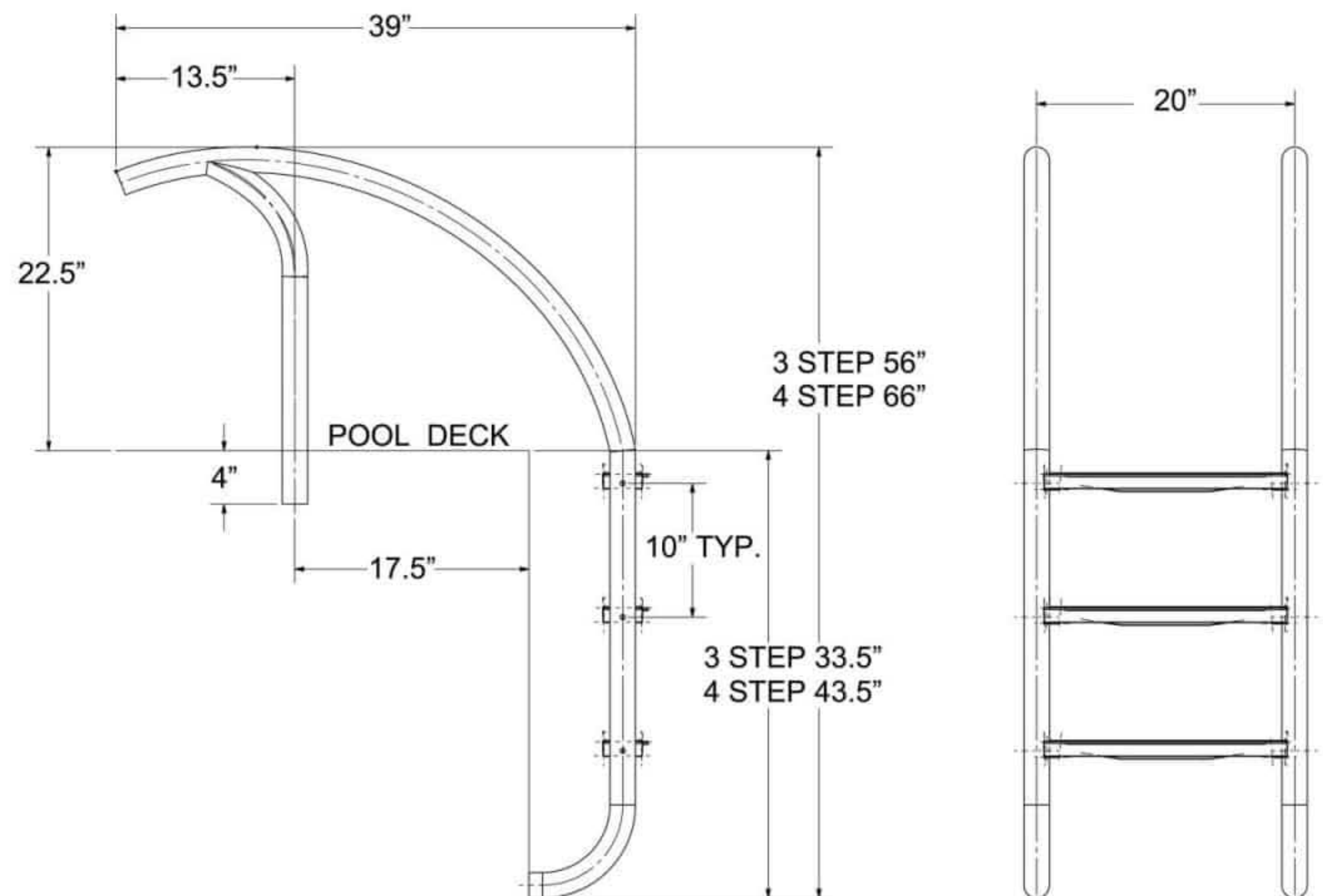
MODERN LADDER



PART NUMBER	DESCRIPTION
GPP-MLD-3ST-SS	MODERN 3 STEP LADDER .065" WALL POLISHED WITH WHITE HEAVY DUTY TREADS
GPP-MLD-3ST-SS-G	MODERN 3 STEP LADDER .065" WALL POLISHED WITH GREY HEAVY DUTY TREADS
GPP-MLD-3ST-SV	MODERN 3 STEP LADDER .065" WALL SILVER VEIN WITH GREY HEAVY DUTY TREADS
GPP-MLD-3ST-CV	MODERN 3 STEP LADDER .065" WALL COPPER VEIN WITH TAN HEAVY DUTY TREADS
GPP-MLD-3ST-SD	MODERN 3 STEP LADDER .065" WALL SAND WITH TAN HEAVY DUTY TREADS
GPP-MLD-3ST-WH	MODERN 3 STEP LADDER .065" WALL WHITE WITH WHITE HEAVY DUTY TREADS
GPP-MLD-4ST-SS	MODERN 4 STEP LADDER .065" WALL POLISHED WITH WHITE HEAVY DUTY TREADS
GPP-MLD-4ST-SS-G	MODERN 4 STEP LADDER .065" WALL POLISHED WITH GREY HEAVY DUTY TREADS
GPP-MLD-4ST-SV	MODERN 4 STEP LADDER .065" WALL SILVER VEIN WITH GREY HEAVY DUTY TREADS
GPP-MLD-4ST-CV	MODERN 4 STEP LADDER .065" WALL COPPER VEIN WITH TAN HEAVY DUTY TREADS
GPP-MLD-4ST-SD	MODERN 4 STEP LADDER .065" WALL SAND WITH TAN HEAVY DUTY TREADS
GPP-MLD-4ST-WH	MODERN 4 STEP LADDER .065" WALL WHITE WITH WHITE HEAVY DUTY TREADS
GPP-OTE-AHC20	4" ALUMINUM LADDER ANCHOR WITH 20" CHANNEL

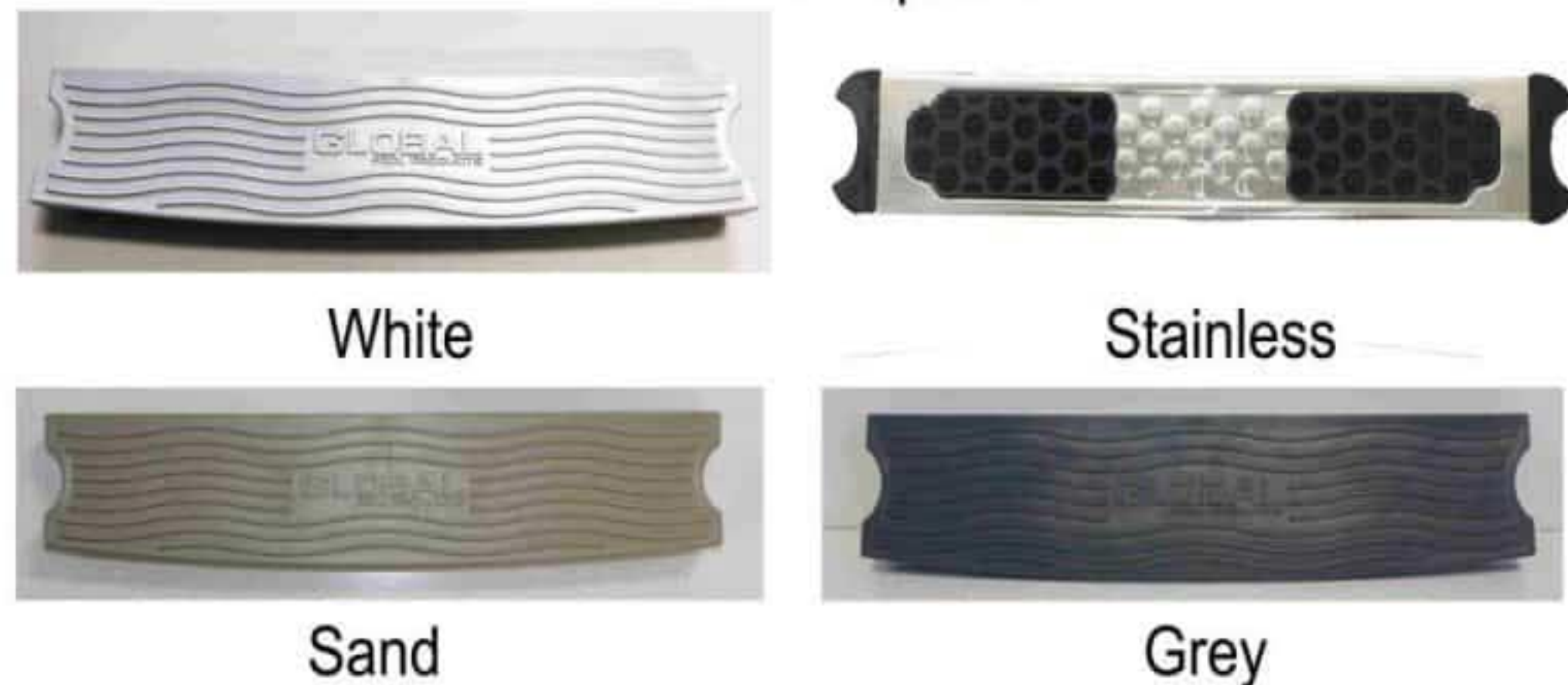
Note: There is a spacing of 7" from the ladder frame to the pool wall where the frame curves in to brace against the pool wall. This point of contact will have a rubber bumper to protect the pool wall. The anchor placement for the ladder is 20" from center to center. The .065" wall is standard in the Modern Series. Anchor socket is 4" and constructed out of aluminum (GPP-OTE-AHC20). *Anchors are not included. When ordering "Marine Grade" add "-M" at the end of the part number. When ordering stainless steel treads add "-SS" to the end of your part number.*

Frame Color Options



Exterior Bumper

Tread Color Options



White

Stainless

Sand

Grey