



EVEN GLOW

PCR-2Z LED LIGHT CONTROLLER

Multi-Color Remote Control Transformer with OEM Cloning & Optional Wi-fi for Pools & Spas



REMOTE CONTROL



16 MILLION COLORS



BRIGHTNESS CONTROL



COLOR MEMORY



APP REMOTE CONTROL



WIFI COMPATIBLE



NETWORK CONTROL



TIMER CONTROL

Using PAL Multi-Color Transformer only

Using PAL Multi-Color Wi-Fi Transformer only

Wi-Fi Accessory**

- Connect transformer to your wifi network for control anywhere in the world
- Available for all PCR-2Z versions.

**optional extra

GET THE APP



Power Rating

- PCR-2Z available in 60/120W / 24V rating.

Installation

- Easy installation with pre-moulded ½" conduit adapters and additional knock-outs

*product images for illustrative purposes only
actual lighting colors and appearances may vary

COLOR TOUCH TECHNOLOGY

Color Control

Control color, speed, brightness and modes

Wireless Touch*

Wi-Fi Tablets and smartphones

Memory Recall

Remembers last color, speed and brightness

Auto Sync

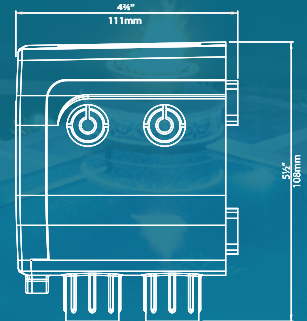
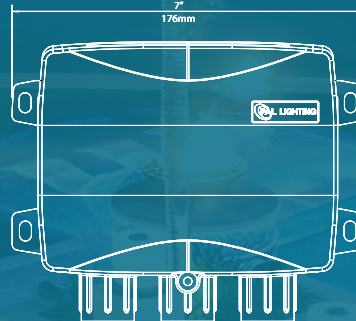
Automatic sync of your PAL lights every time

*with wi-fi only



LIGHTING CONTROL

- Color Touch technology with OEM cloning via Pentair, Hayward & Jandy Automation systems
- Control via Remote Handset or APP through smart devices**
- Color wheel control for instant and dynamic touch control
- Brightness control on PAL mode only



PCR-2Z DRIVER

- Single or Dual Zone
- Low Voltage 24V DC
- Fully serviceable and upgradeable
- Optional Wi-Fi
- UL Listed to UL676 Pool & Spa Lighting Class 2 LED Driver
- AS/NZ Approved

Remote Control

64-PCR-2Z-60	PAL 60W Multi Color Dual Zone Remote Control Transformer 24VDC	24V / 60W
64-PCR-2Z-120	PAL 120W Multi Color Dual Zone Remote Control Transformer 24VDC	24V / 120W

Remote & Wi-Fi Control

64-PCR-2ZW-60	PAL 60W Multi Color Dual Zone Remote Control Transformer & Wi-Fi 24VDC	24V / 60W
64-PCR-2ZW-120	PAL 120W Multi Color Dual Zone Remote Control Transformer & Wi-Fi 24VDC	24V / 120W



APPLE AND ANDROID APPS AVAILABLE AT GOOGLE PLAY AND ITUNES
WWW.PALLIGHTING.COM

