

INTELLIFLO3[®]

Variable Speed & Flow Pump

The only pump with patented sensorless flow technology just got smarter.

Meet the first pump to combine true set-it-and-forget-it flow technology paired with the smart connectivity of the Pentair Home app. It's just what customers want.

The IntelliFlo3 VSF pool pump sets the new bar for performance. With flow so steady and smart, your customers will wonder how they ever used anything else.

- **Proprietary flow technology maintains the pool's optimal flow.**
For ongoing pool enjoyment, parts longevity, and all systems performing at peak.
- **Easy installation with the Pentair Pro app.**
Install via the Pentair Pro app with intuitive step-by-step actions and optional ongoing remote monitoring for easy maintenance.
- **Up to 90%* energy savings.**
Slower speed and regulated flow save energy and noticeably can impact that monthly utility bill.
- **Updated motor, drive, and hydraulics.**
ENERGY STAR[®] rated and U.S. Department of Energy (DOE) pump regulation compliant.
- **Optional onboard automation.**
Two-relay automation gives pool owners easy control of up to two additional pool devices, such as lights and a salt chlorine generator.
- **Monitor and control via the Pentair Home app.**
For pool owners, it's easy to set schedules and manage their pump at anytime, anywhere with the Pentair Home app.

Get IntelliFlo3 resources at the all-in-one HUB:
pentair.com/intelliflo3HUB



IntelliFlo3 Variable Speed & Flow Pump



Easy app control



Optional touch screen for more flexible control

*Savings based on variable speed pump compared to a single-speed pump running 12 hours per day at an average of \$0.16 per kWh in a 20,000 gallon pool. Actual savings may vary based on local utility rates, pool size, pump run time, pump horsepower, pump rpm, plumbing size and length, pump model, service factor and other hydraulic factors. Individual Weighted Energy Factor (WEF) scores and savings may vary by model.

MATERIAL AND DESIGN

PUMP BODY AND PARTS

- Material
 - Glass reinforced thermoplastic
 - Threaded brass inserts throughout
 - Bronze impeller wear ring
 - Compression resistant EPDM rubber
 - Stainless steel hardware
- Port size—3.0 HP
 - Suction: 2.5" with unions (2" with included adapter or 3" with optional kit)
 - Discharge: 2.5" with unions (2" with included adapter or 3" with optional kit)
- Port size—1.5 HP
 - Suction: 2" with unions (1.5" with included adapter)
 - Discharge: 2" with unions (1.5" with included adapter)
- Mechanical seal
 - Type 6 mechanical seal
 - Made of ceramic, stainless steel, and EPDM

HAIR AND LINT STRAINER

- Material
 - White high density polyethylene thermoplastic
 - Clear thermoplastic
 - Glass reinforced thermoplastic

MOTOR

- NEMA rated 56 frame square flange totally enclosed fan cooled (TEFC)
- Permanent magnet synchronous motor (PMSM)
- Shaft
 - 300 series stainless steel
- Thermal overload protection
 - Provided by the motor control circuit
- Bearings
 - Lubricated, double sealed, stainless steel, single row, ball bearings
- Intrusion protection
 - IPx5



IntelliFlo3 3.0 HP
Variable Speed & Flow Pump

IntelliFlo3 1.5 HP
Variable Speed & Flow Pump

3.0 HP

INTELLIFLO3®

Variable Speed & Flow Pump

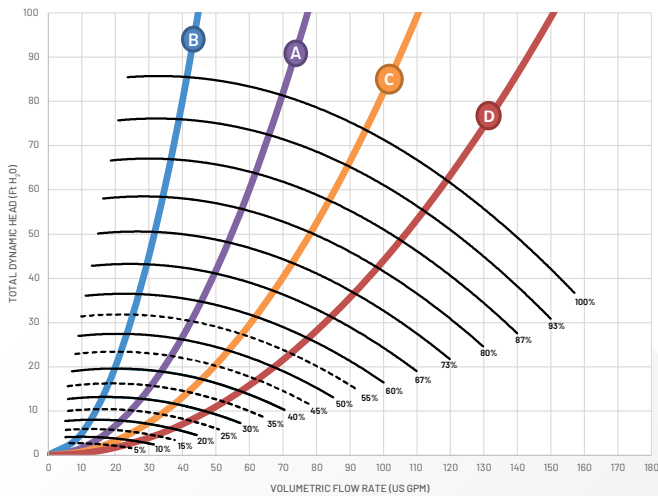
ELECTRICAL SPECIFICATIONS

3.0 HP IntelliFlo3 VSF

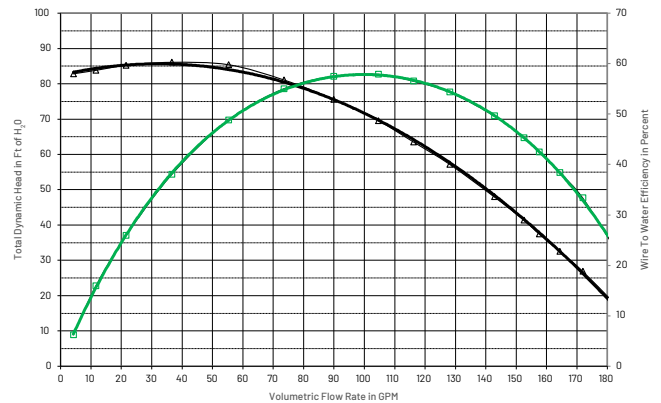
Input Voltage Nominal	208-230VAC	
Input Current	12.4/11.2 Amps	
Input Frequency	Single Phase, L1-L2 or L-N, 50 or 60Hz	
Maximum Input Watts	2590W	
Maximum Shaft Horsepower	3.0 HP	
Speed Range	1-100% (450-3450 RPM)	
Environmental Enclosure Rating	NEMA Type 3/ IPX5	
Ambient Condition Range	Storage	-40°C to +60°C (-40°F-140°F)
	Operating	0°C to 50°C (32°F-122°F)
	Humidity	Relative 0-95% Non-Condensing

PERFORMANCE & EFFICIENCY CURVES

3.0 HP Performance Curves

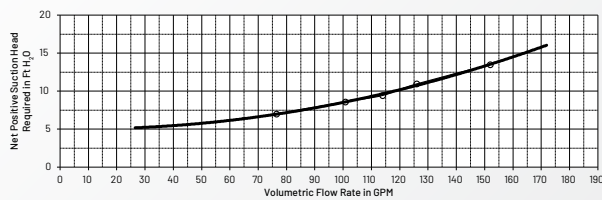


Maximum Speed Pump Performance and Efficiency*



3.0 HP Models: WEF: 7.1 and THP: 3.0

NPSHr



IntelliFlo3 3.0 HP Variable Speed & Flow Pump

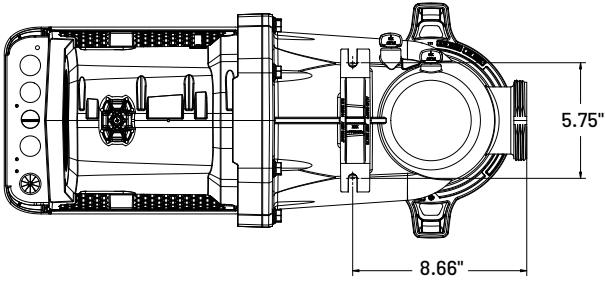
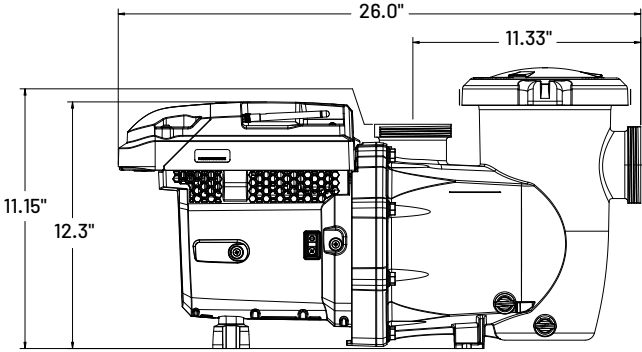
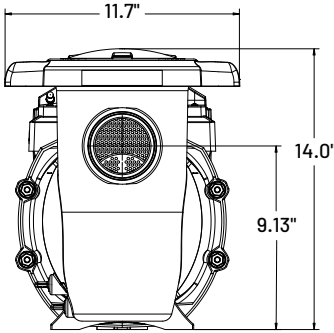

pentair.com/intelliflo3

*Savings based on variable speed pump compared to a single-speed pump running 12 hours per day at an average of \$0.16 per kWh in a 20,000 gallon pool. Actual savings may vary based on local utility rates, pool size, pump run time, pump horsepower, pump rpm, plumbing size and length, pump model, service factor and other hydraulic factors. Individual Weighted Energy Factor (WEF) scores and savings may vary by model.

3.0 HP

INTELLIFLO3®
Variable Speed & Flow Pump

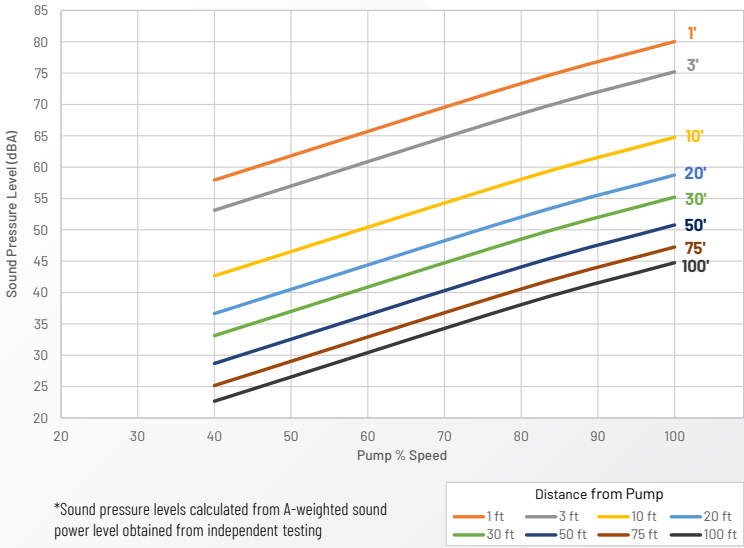
PRODUCT DIMENSIONS

Scan the QR code for installation instructions and set-up using the Pentair Pro app.
pentair.com/intelliflo3-proapp-support

SOUND LEVELS

Sound Levels



*Sound pressure levels calculated from A-weighted sound power level obtained from independent testing



IntelliFlo3 3.0 HP Variable Speed & Flow Pump

pentair.com/intelliflo3

1.5 HP

INTELLIFLO3[®]

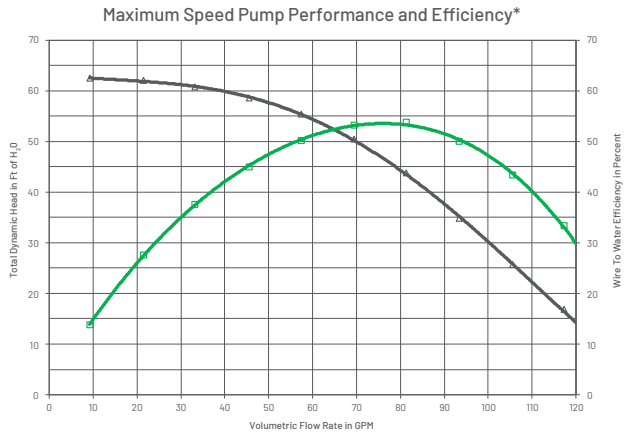
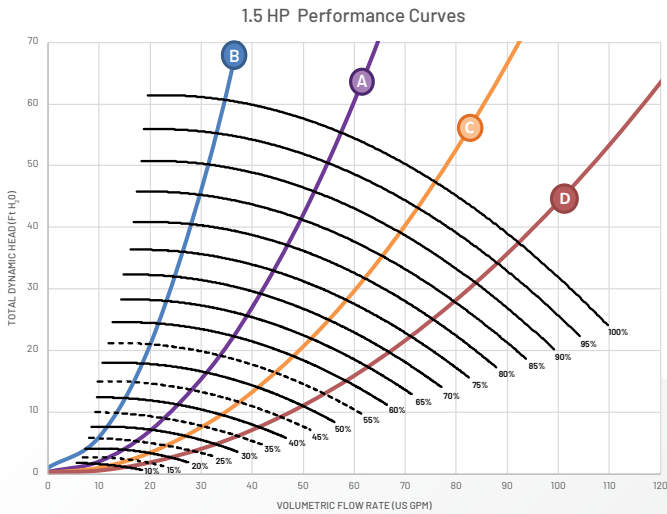
Variable Speed & Flow Pump

ELECTRICAL SPECIFICATIONS

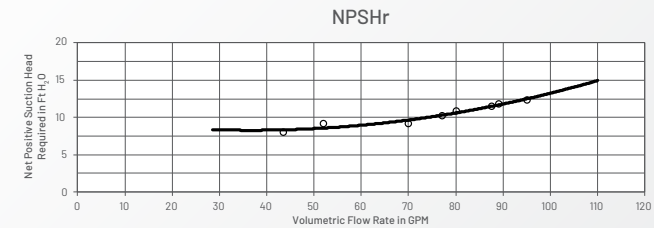
1.5 HP IntelliFlo3 VSF

Input Voltage Nominal	115/208-230VAC	
Input Current	12.0/6.4-5.9 Amps	
Input Frequency	Single Phase, L1-L2 or L-N, 50 or 60Hz	
Maximum Input Watts	1350W	
Maximum Shaft Horsepower	1.5 HP	
Speed Range	1-100% (400-4000 RPM)	
Environmental Enclosure Rating	NEMA Type 3/IPX5	
Ambient Condition Range	Storage	-40°C to +60°C (-40°F-140°F)
	Operating	0°C to 50°C (32°F-122°F)
	Humidity	Relative 0-95% Non-Condensing

PERFORMANCE & EFFICIENCY CURVES



1.5 HP Models: WEF: 9.4 and THP: 1.5



IntelliFlo3 1.5 HP Variable Speed & Flow Pump

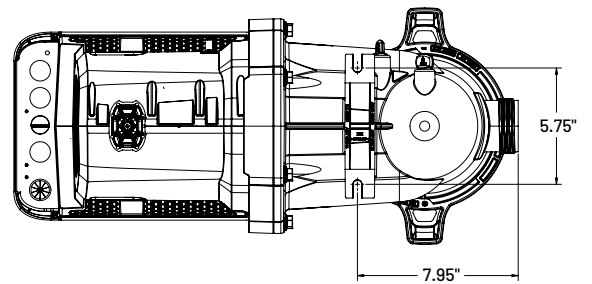
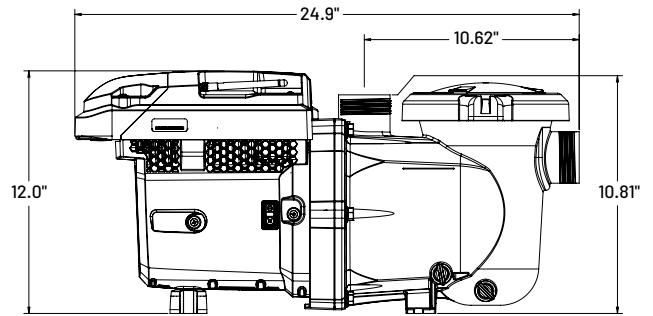
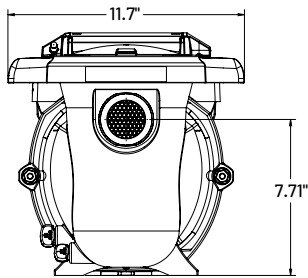

*Savings based on variable speed pump compared to a single-speed pump running 12 hours per day at an average of \$0.16 per kWh in a 20,000 gallon pool. Actual savings may vary based on local utility rates, pool size, pump run time, pump horsepower, pump rpm, plumbing size and length, pump model, service factor and other hydraulic factors. Individual Weighted Energy Factor (WEF) scores and savings may vary by model.

pentair.com/intelliflo3

1.5 HP

INTELLIFLO3®
Variable Speed & Flow Pump

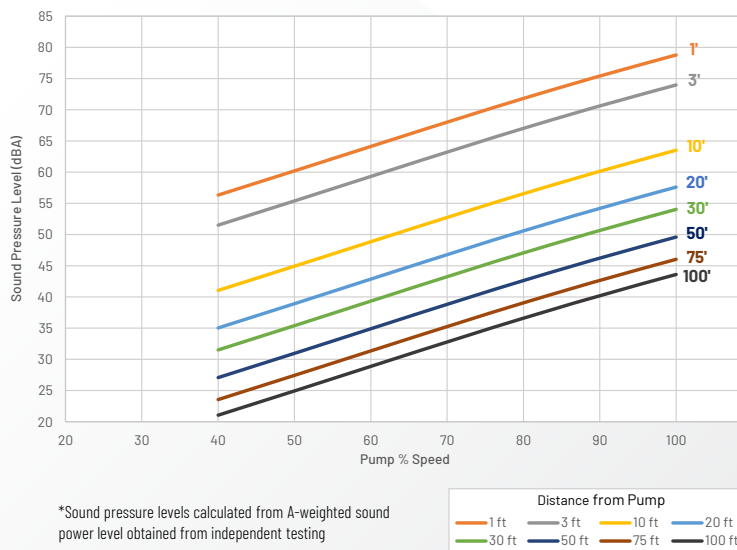
PRODUCT DIMENSIONS

Scan the QR code for installation instructions and set-up using the Pentair Pro app.
pentair.com/intelliflo3-proapp-support

SOUND LEVELS

Sound Levels



IntelliFlo3 1.5 HP Variable Speed & Flow Pump

pentair.com/intelliflo3

PENTAIR PRO APP & HOME APP

IntelliFlo3[®] conveniently connects to applications that benefits both the pool professional and the pool owner.



PENTAIR PRO APP FOR POOL PROFESSIONALS

Full Control and Access of the Pump via the Pentair Pro App

- Installations are easy when you connect to the pump via *Bluetooth*[®] wireless technology or WiFi to set up and configure the pump.
 - Configure settings and limits.
 - Set schedules and speeds.
 - Set pump address (automation).
 - Configure relays (optional I/O board).
- Ability to automatically invite homeowner to Pentair Home via email.
- Remote visibility of pump status and operating conditions via Remote Monitoring.



PENTAIR HOME APP FOR THE POOL OWNER

- Control from anywhere, any time.
- Remote access via WiFi or *Bluetooth*[®] wireless technology connection.
- Set schedules and manage pump settings via mobile device.
- Coordinate with service professionals or request remote monitoring services.

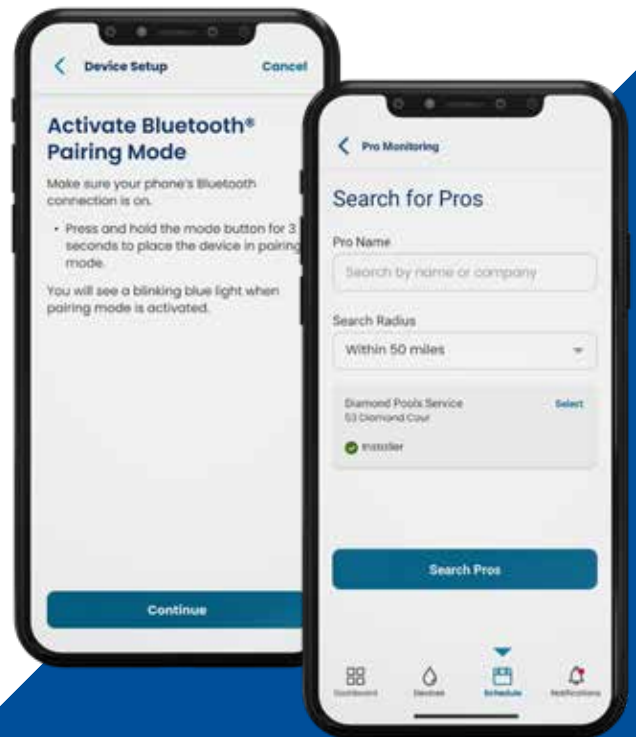
WiFi or *Bluetooth*[®] Wireless Technology

IMPORTANT NOTE: WiFi Connection

Even if the pump is connected to and controlled by automation, it can and should be, connected to WiFi. This allows for over-the-air software and firmware updates.

SERVICING BENEFITS

- Offer increased level of service and increased peace of mind to the homeowner with remote monitoring via the Pentair Pro app.
- Efficiently plan out your route or know what you are getting into before they arrive at the job.
- No longer need to go to job to flash software updates to the pump. It is handled by Pentair with over the air updates.



PENTAIR
PRO



PENTAIR
HOME



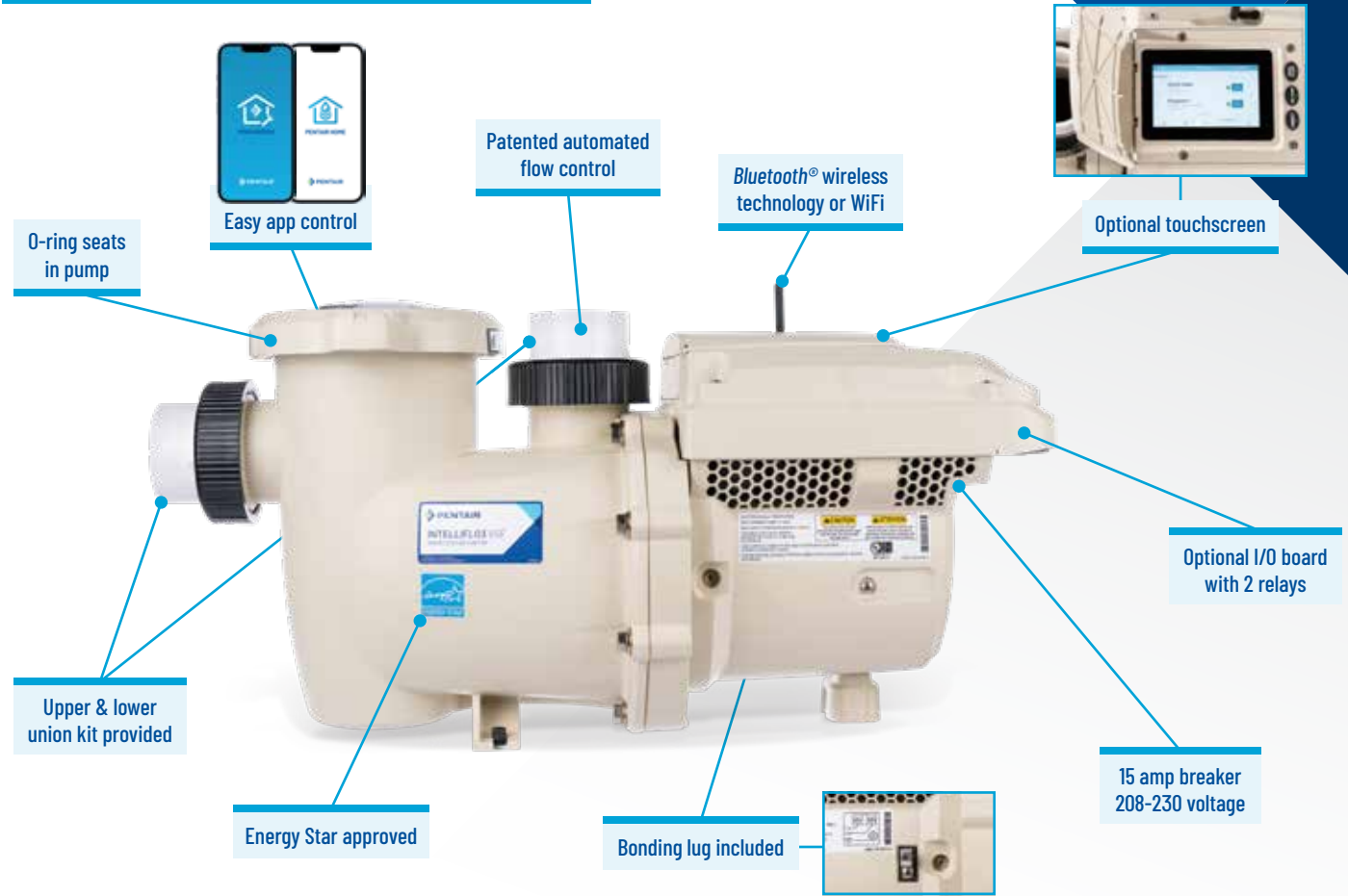
Scan the QR code to download the apps

or visit pentair.com/appdownload

Loaded with features to get you to the next install even quicker.

INTELLIFLO3[®]

Variable Speed & Flow Pump



ORDERING INFORMATION

PART #	DESCRIPTION	KEY SPECIFICATIONS							
		THP	WEF	Maximum Input Voltage	Frequency	Full Load AMPS	Port Size (NPT)	Weight	Certification*
011075	IntelliFlo3 VSF 3.0 HP	3	7.1	208V-230V	50 Hz or 60 Hz	12.4-11.2 Amps	2" x 2" or 2.5" x 2.5" or (optional) 3" x 3"	55 lbs	UL, NSF
011076	IntelliFlo3 VSF 3.0 HP with relay board								
011077	IntelliFlo3 VSF 3.0 HP with touchscreen								
011078	IntelliFlo3 VSF 3.0 HP with touchscreen and relay board								
011065	IntelliFlo3 VSF 1.5 HP	1.5	9.4	115/208-230V	50 Hz or 60 Hz	12/6.4-5.9 Amps	1.5" x 1.5" or 2" x 2"	48 lbs	
011066	IntelliFlo3 VSF 1.5 HP with relay board								
011067	IntelliFlo3 VSF 1.5 HP with touchscreen								
011068	IntelliFlo3 VSF 1.5 HP with touchscreen and relay board								
356159Z	IntelliFlo3 VSF universal touchscreen add on								
356365Z	IntelliFlo3 VSF optional universal relay board kit								

*Certification details can be located on Pentair.com/IntelliFlo3



TRADEGRADE

The TradeGrade family of products is exclusively made for and sold by the world's most demanding pool professionals.



400 Regency Forest Dr | Cary, NC 27518 | United States | 800.831.7133 | pentair.com

All indicated Pentair trademarks and logos are property of Pentair. The Bluetooth® word mark and logos are registered trademarks owned by the Bluetooth SIG, Inc. and any use of such marks by Pentair Management Company is under license. Third-party registered and unregistered trademarks and logos are the property of their respective owners. App Store® is a registered trademark of Apple, Inc. in the U.S.A. and/or other countries. Google Play® is a registered trademark of Google LLC in the U.S.A. and/or other countries.

©2023 Pentair. All rights reserved. Pentair.com

P2-929 02/2023