

8" ROUND COLOR CHOICE® SUCTION OUTLET COVER WITH SCREW KIT



Certified to
NSF/ANSI/CAN 50
ANSI/APSP/ICC-16 2017

Open Area
15.6 in²

For SOFA Specific Flow Ratings and specifications please scan QR code or visit
www.aquastarpoolproducts.com/flowcode



FEATURES

Certified, Listed, and Labeled in conformance with APSP/ANSI/ICC-16 2017 and NSF/ANSI/CAN 50 standards

Unique design allows for plaster, aggregate, or tile to be applied directly to the top of the cover to blend into pool finish

Manufactured from superior UV-resistant engineered polymers

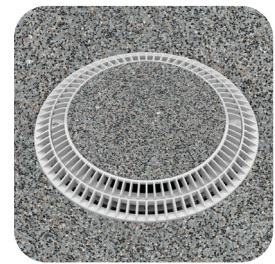
#316 stainless steel screws

Online product support including downloadable General Certificate of Conformity, third-party certificate, installation instructions and more

Replace drain cover every five years from the date of installation

24 per case

NEW



Unique design allows the cover to blend into pool finish

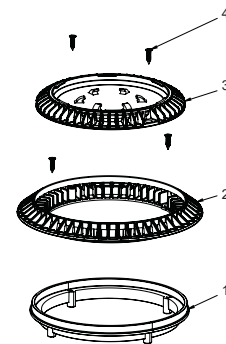
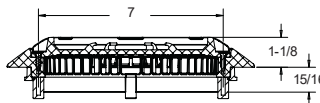
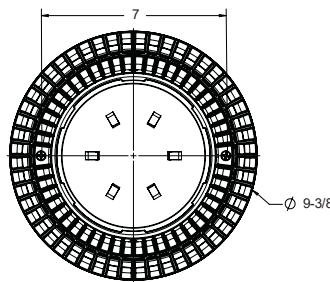
Part # CC8xxx

Designed to replace standard 8" round covers that have a 7" center-to-center screw hole measurement

STANDARD COLORS

-  CC8101 – White
-  CC8102 – Black
-  CC8103 – Light Gray
-  CC8105 – Dark Gray
-  CC8108 – Tan
-  CC8100 - Clear

Also available as frame only
p/n 8FRxxx
24 per case



1. 8" Round Mud Frame
2. 8" Color Choice Riser Ring
3. 8" Color Choice Round Suction Outlet Cover
4. 10 x 3/4" Flat Head Phillips, 316 SS, Qty 4

P 877-768-2717 F 877-276-POOL Outside the US: P +1-949-336-1940 F +1-949-336-1940
info@aquastarpoolproducts.com www.aquastarpoolproducts.com

6" Socket Deep PVC Sump

NSF

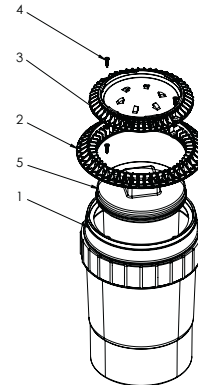
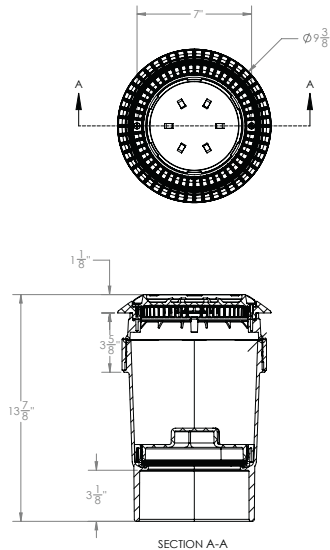
Certified to
NSF/ANSI/CAN 50
ANSI/APSP/ICC-16 2017

Open Area
15.6 in²

For SOFA Specific Flow Ratings and
specifications please scan QR code or visit
www.aquastarpoolproducts.com/flowcode



Part #
CC8xxxF
4 per case



1. 8" Round Double Deep PVC Sump Bucket
2. Ring, 8" Riser, Color Choice
3. Cover, 8" Fillable, Color Choice
4. 10 x 3/4" Flat Head Phillips, Type A Screw, 316 SS, Qty 4
5. Plug, 4" NPT, Deep Sump Bucket

3" Socket x 4" Spigot Side Port PVC Sump

NSF

Certified to
NSF/ANSI/CAN 50
ANSI/APSP/ICC-16 2017

Open Area
15.6 in²

For SOFA Specific Flow Ratings and
specifications please scan QR code or visit
www.aquastarpoolproducts.com/flowcode



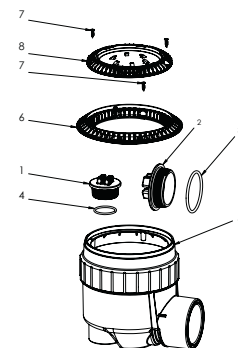
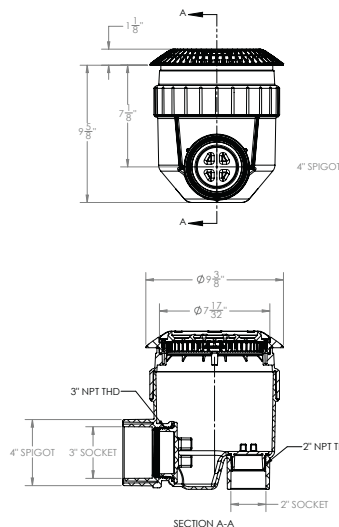
NEW Hassle-free pressure testing
and winterizing



Part #
CC8xxxSSB
4 per case

Hassle-free pressure testing and winterizing
Comes with a 3" and 2" NPT cap with O-ring.
No knock-outs required.
2" Plug and O-Ring, p/n 2SBP101
3" Plug and O-Ring, p/n 3SBP101

Optional 2" hydrostatic relief valve available p/n HV101



1. Plug, 2" Pipe THD.
2. Plug, 3" Pipe THD.
3. O-Ring, #340, 3.350" ID x .210 THK, EPDM
4. 10 x 3/4" Flat Head Phillips, Type A Screw, 316 SS, Qty 4
5. Ring, 8" Riser, Color Choice
6. Cover, 8" Fillable, Color Choice
7. Side Port Sump Bucket, 8" Round Frame