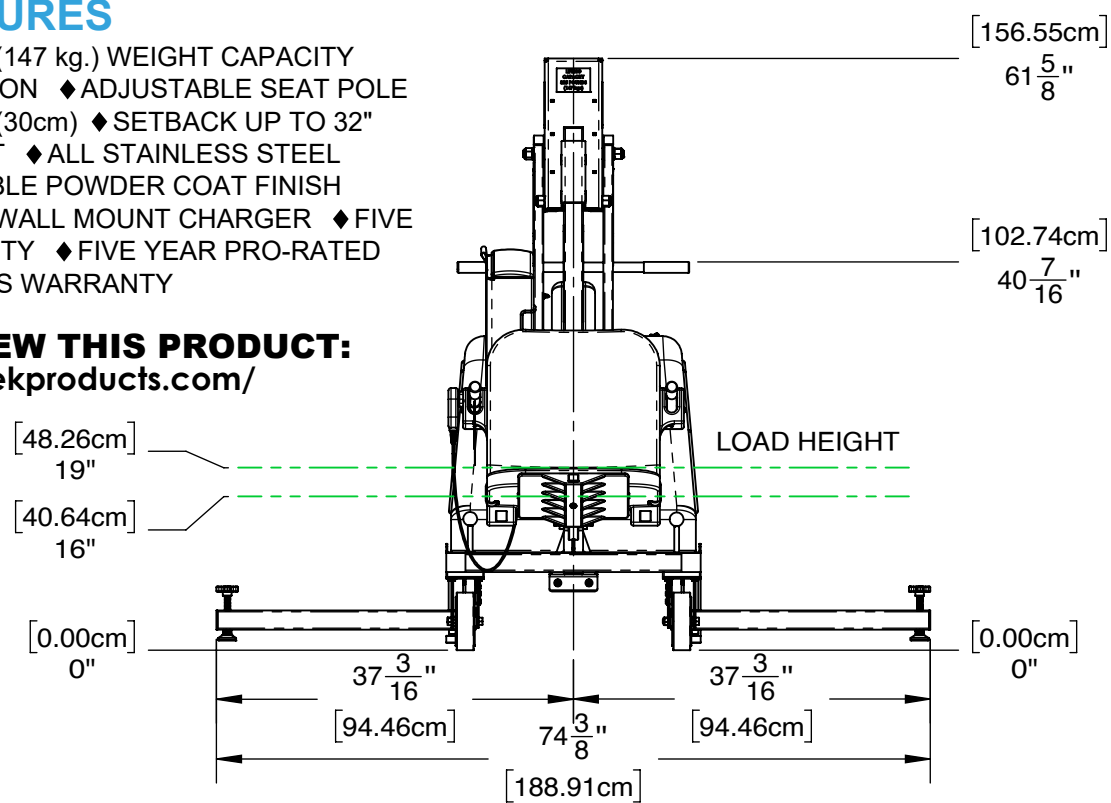


FEATURES

- ◆ UL CERTIFIED ◆ 325 LB. (147 kg.) WEIGHT CAPACITY
- ◆ WHISPER QUIET 255° ROTATION ◆ ADJUSTABLE SEAT POLE
- ◆ WATER DRAFT UP TO 12" (30cm) ◆ SETBACK UP TO 32" (81cm) ◆ FLIP UP ARMREST ◆ ALL STAINLESS STEEL CONSTRUCTION ◆ DURABLE POWDER COAT FINISH
- ◆ RECHARGEABLE BATTERY & WALL MOUNT CHARGER ◆ FIVE YEAR STRUCTURAL WARRANTY ◆ FIVE YEAR PRO-RATED ELECTRONICS WARRANTY

CLICK HERE TO VIEW THIS PRODUCT:
<https://aquacreekproducts.com/>



TOLERANCES

DIMENSIONS ARE IN INCHES UNLESS OTHERWISE SHOWN
 FRACTIONAL: ±1/16
 ANGULAR: ±1°
 TWO PLACE DECIMAL: ±.01
 THREE PLACE DECIMAL: .. ±.005

BREAK & DEBURR ALL SHARP EDGES

MIGHTY VOYAGER
 CATALOG NO. CATALOG NO. F-VGRPL
 PART NO. INV02592
 WEIGHT CAPACITY: 325LBS [147kg]

MATERIAL: 304 STAINLESS STEEL
FINISH: POWDER COAT - WHITE
APPROX. WEIGHT: 313.91 LBS.



9889 GARRYMORE LANE
 MISSOULA, MT 59808
 (406) 549-0769
 FAX (406) 549-2602
 www.AquaCreek.com
 © 2021 AQUA CREEK PRODUCTS. ALL RIGHTS RESERVED.

PROPRIETARY AND CONFIDENTIAL INFORMATION
 THIS DRAWING AND ALL INFORMATION CONTAINED HEREIN IS THE SOLE PROPERTY OF AQUA CREEK PRODUCTS LLC. ANY REPRODUCTION IN PART OR AS A WHOLE WITHOUT WRITTEN PERMISSION FROM AQUA CREEK IS PROHIBITED.
 *SPECIFICATIONS ARE SUBJECT TO CHANGE WITHOUT NOTICE

REVISIONS			
REV.	DESCRIPTION	DATE	APPROVED
P1	INITIAL RELEASE	5/18/2021	J.MAXWELL