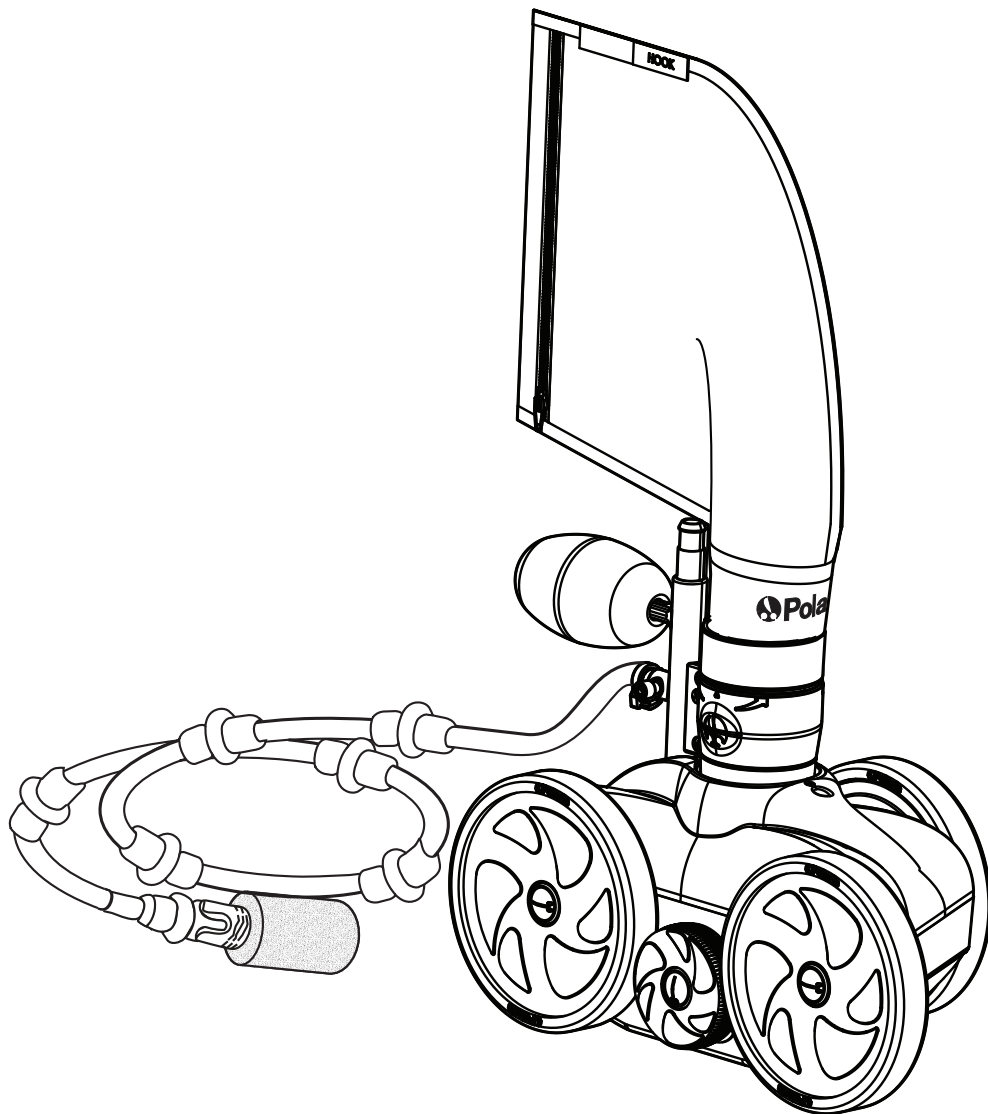




TR28P



OWNER'S MANUAL

English | Français | Español

Before You Start: Important Information

- Before installing the Polaris® cleaner, make sure the pool filter is clean.
- New plumbing lines should be flushed out before installing the cleaner.
- The cleaner should not be used to remove plaster dust in new pools.
- Except when checking the wheel RPM, do not handle the cleaner while it is operating.
- Always remove the cleaner **before swimmers enter the pool**.
- Disconnect the cleaner from the pool wall when cleaning or backwashing the pool filter.
- Always remove the cleaner from the pool before chemical shock treatments.
- After cleaning or backwashing, let the filtration system run for at least five minutes before re-connecting the cleaner.

For customer service or support:

Zodiac Pool Systems LLC

2620 Commerce Way, Vista, CA 92081
1.800.822.7933 | polarispool.com

Zodiac Pool Care Europe

Boulevard de la Romanerie -BP 90023
49180 St. Barthelemy d'Anjou cedex FRANCE
zodiac-poolcare.fr

Zodiac Pool Systems Canada, Inc.

2-3365 Mainway, Burlington, ON L7M 1A6
1.800.822.7933 | ZodiacPoolSystems.ca

Zodiac Group Australia PTY, Ltd.

19 Woodpark Rd. Smithfield
NSW, 2164
1300 763 021 | Zodiac.com.au

WARNING



To avoid risk of potentially serious injury:

- Do not handle the Polaris cleaner while it is operating, except when checking the wheel RPM.
- Always remove the Polaris cleaner before swimmers enter the pool.

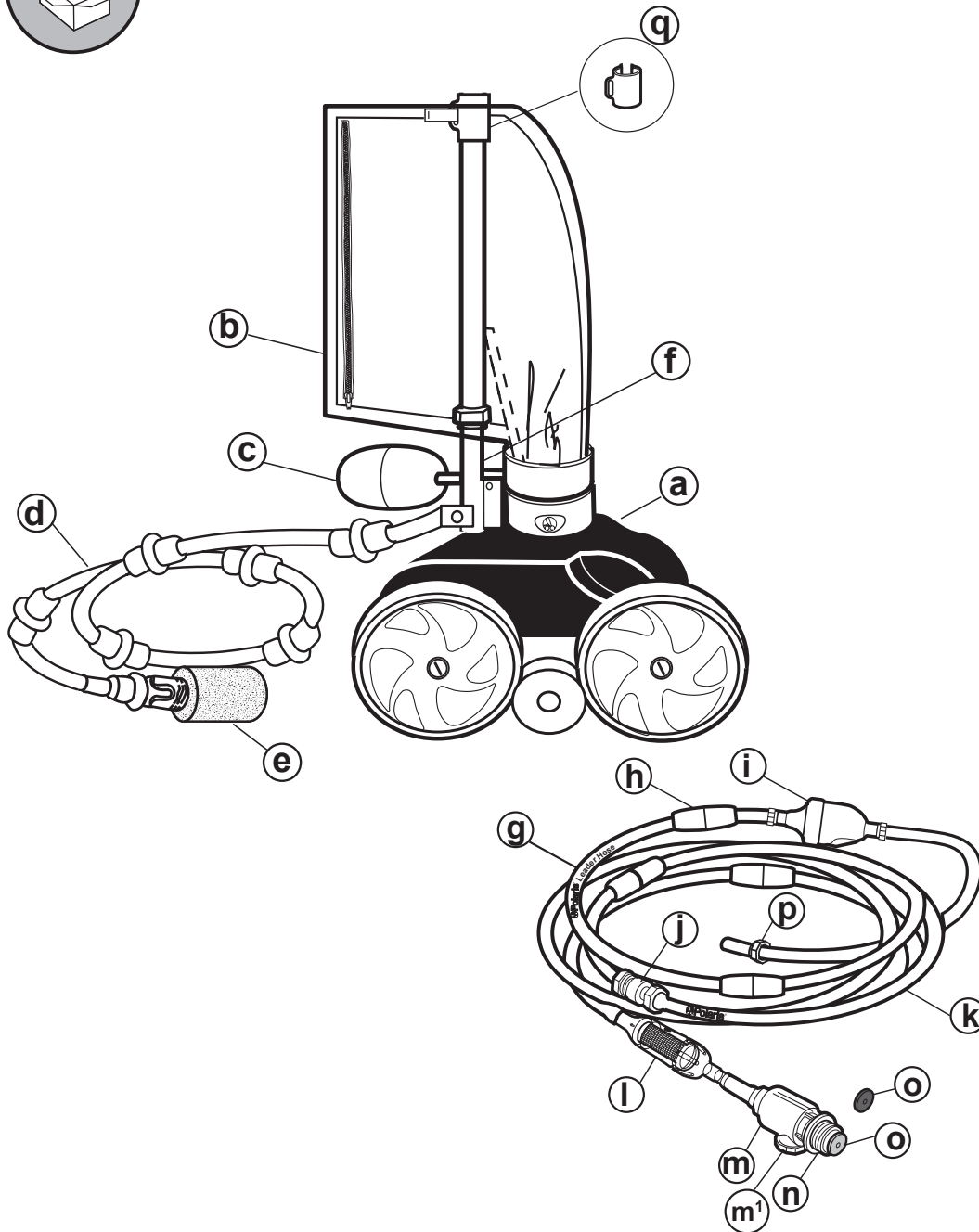
CAUTION

USE OF A POLARIS TR28P IN A VINYL LINER POOL

Certain vinyl liner patterns are particularly susceptible to rapid surface wear or pattern removal caused by objects coming into contact with the vinyl surface, including pool brushes, pool toys, floats, fountains, chlorine dispensers, and automatic pool cleaners. Some vinyl liner patterns can be seriously scratched or abraded simply by rubbing the surface with a pool brush. Ink from the pattern can also rub off during the installation process or when it comes into contact with objects in the pool. Zodiac Pool Systems LLC and its affiliates and subsidiaries are not responsible for, and the Limited Warranty does not cover, pattern removal, abrasion or markings on vinyl liners.



Included in the Box



- a - Cleaner Body
- b - All-Purpose Zipper Bag
- c - Head Float
- d - Sweep Hose
- e - TailSweep PRO® with Sweep Hose Scrubber
- f - Feed Pipe with Elbow
- g - Leader Hose
- h - Hose Floats
- i - Back-up Valve

- j - Center Swivel
- k - Feed Hose
- l - In-Line Filter Assembly
- m - Quick Disconnect with Pressure Relief Valve (m')
- n - Universal Wall Fitting (UWF®)
- o - Restrictor Disks - (blue disk installed / red disk in bag)
- p - Hose Nut
- q - Bag Clip

Installing the Cleaner



Read the complete owner's manual before you begin installation.

1

Flush Plumbing Lines

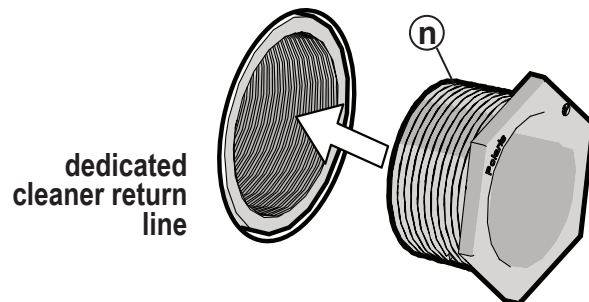
1. Turn on the filtration pump, allow to prime. Then turn on the booster pump and flush plumbing lines for five minutes.
2. Turn off both pumps.

2

Install the Universal Wall Fitting (UWF)

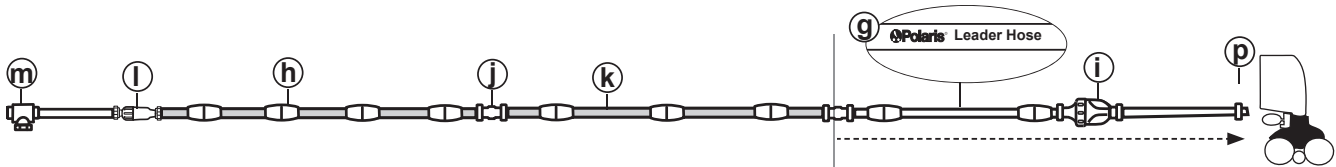
The UWF installs on pools with a dedicated cleaner return line and a threaded 1-1/2" female pipe fitting.

1. Remove the Universal Wall Fitting (UWF) (n) with Blue Restrictor Disk (o) from the Quick Disconnect (m).
2. Thread the UWF (n) with Blue Restrictor Disk (o) in place, into the dedicated cleaner return line opening.



3 Adjust Hose Assembly

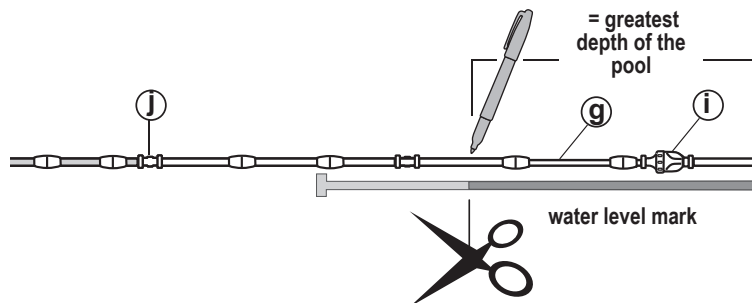
3a. Adjust Leader Hose Length to the Greatest Depth of the Pool



1. Straighten the Hose Assembly by laying it out flat in the sun.
2. Identify the Leader Hose section (g), marked Polaris® Leader Hose.
3. Measure and mark the greatest depth of the pool, usually at the main drain, by using a telescopic pool pole.
4. Lay the telescopic pool pole next to the Leader Hose (g) starting from the end of the Leader Hose near the Back-Up Valve (i). Transfer the water level mark from the telescopic pool pole onto the Leader Hose (g).

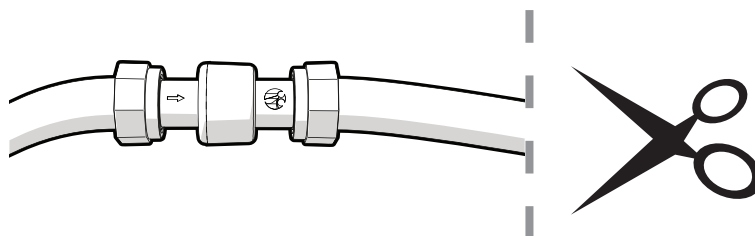


NOTE: If the pool depth is 10 feet (3m) or more, DO NOT cut the Leader Hose. Go to Section 3b: Adjust Feed Hose to Fit Pool Length.



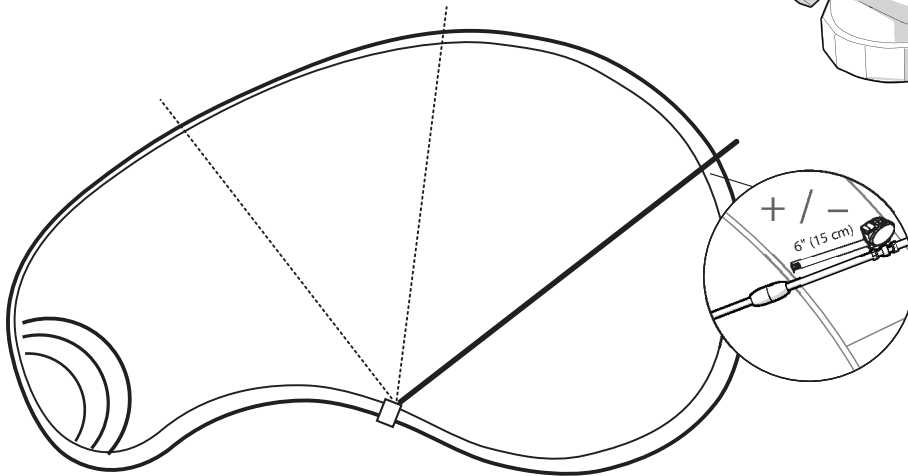
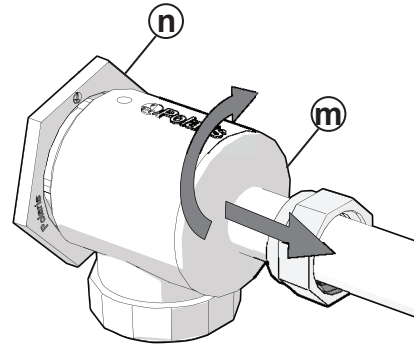
5. Cut the Leader Hose (g) at the mark (do not cut off the float). Detach the excess Leader Hose from the swivel and discard.
6. Reattach the Leader Hose (g) to the Feed Hose (k) at the swivel.

NOTE: It is easier to reinstall the swivel when hose and swivel are wet.



3b. Adjust Feed Hose Length to Fit Pool Length

1. Connect the Hose Assembly to the dedicated cleaner return line opening by turning the Quick Disconnect (m) clockwise into the UWF® (n) and pulling away to secure.
2. Extend the end of the hose to the farthest point of the pool. Do not include steps or seating areas.



3. The cleaner's optimal hose length should be within 6" (15cm), longer or shorter, of the farthest point (see image). The hose portion that extends past the farthest point is the hose overage. See hose adjustment instructions below.

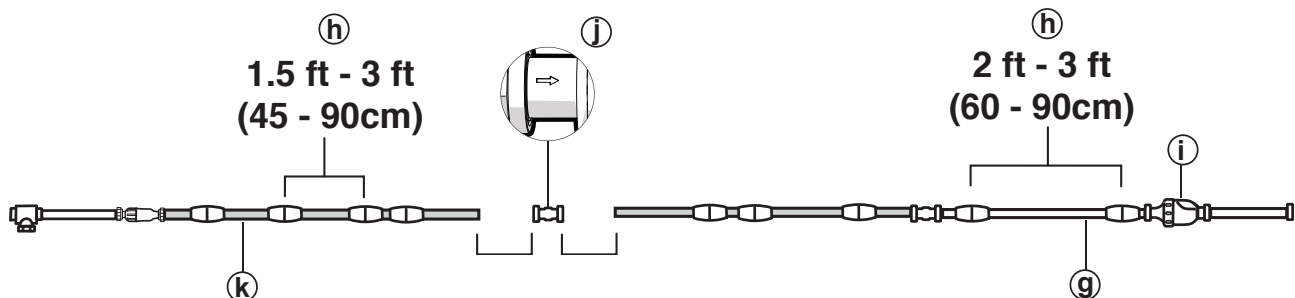
Hose too long?

- With the hose assembly laid on the deck, identify the Center Swivel (j).
- Slide the Hose Floats away from the Center Swivel (j) and separate the swivel from the hose.
- Cut half of the overage from each end of the hose sections that attach to the Center Swivel (j).
- Reconnect hose sections with the Center Swivel (j). Make sure the flow direction arrow (⇒) on the Center Swivel (j) points toward the cleaner.

Hose too short?

- Add a Feed Hose section with floats, a swivel, and two hose nuts, available through your local Polaris® dealer. Do not add more than one 10 ft. (3m) hose section.
- Adjust to proper length.

4. Position the first Hose Float (h) against the back-up valve (i) and the next Hose Float within 2-3 ft (60-90 cm). Position the remaining Hose Floats (h) 1.5 - 3 ft. on the Hose Assembly as shown.



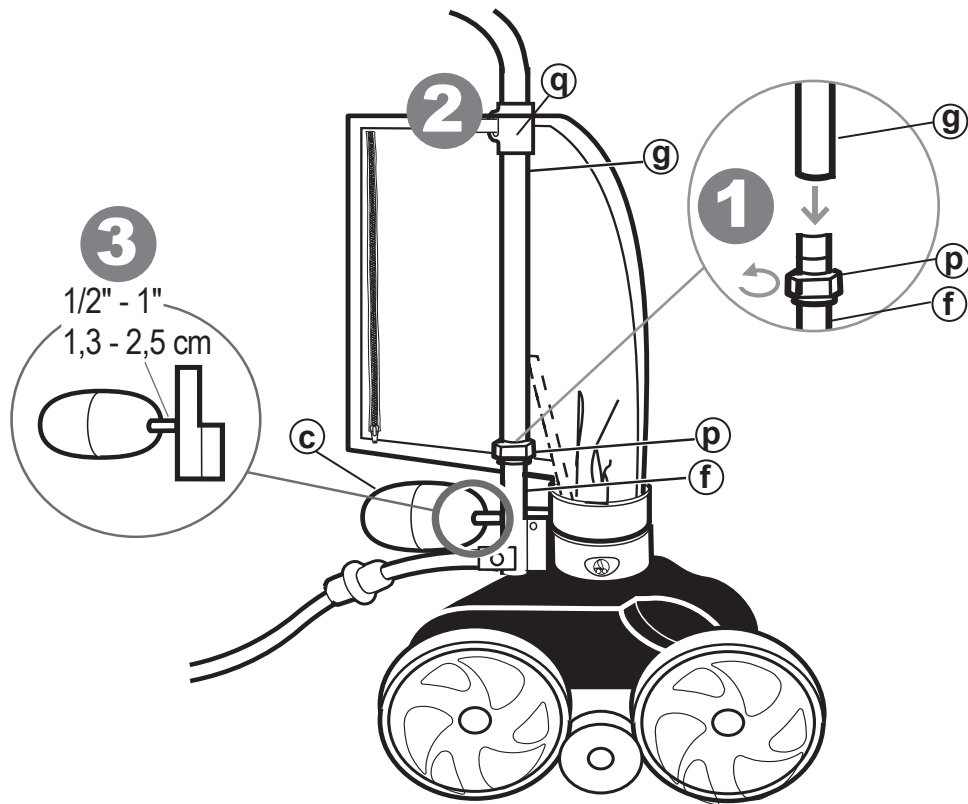
4

Assemble the Cleaner



! WARNING

To avoid risk of potentially serious injury, do not swim or use the pool when the cleaner is submerged or operating.



1. Use the Hose Nut (p) to attach the Leader Hose (g) to the Feed Pipe (f).
NOTE: Tighten the Hose Nut by turning counter-clockwise.
2. Attach the bag to the Leader Hose (g) with the Bag Clip (q).
3. Position the Head Float (c) 1/2" to 1" back from the Feed Pipe (as shown).
4. Turn on the filter pump and allow it to prime before turning on the booster pump.

5

Check for Proper Wheel RPM

Before operating the cleaner, check for proper wheel revolutions per minute (RPM). For maximum efficiency, the cleaner should operate between 28 and 32 RPM.

1. Mark the single-side wheel using using a piece of tape (or a small leaf tucked into the tire).
2. Turn the booster pump on, hold the cleaner below the water level and count wheel revolutions for one minute. **Hold the Sweep Hose (d) to avoid getting wet.**
3. Optimum wheel speed should be **between 28 and 32 RPM**. If the count is not in target range, refer to section 6: *Adjust the Wheel Speed*.



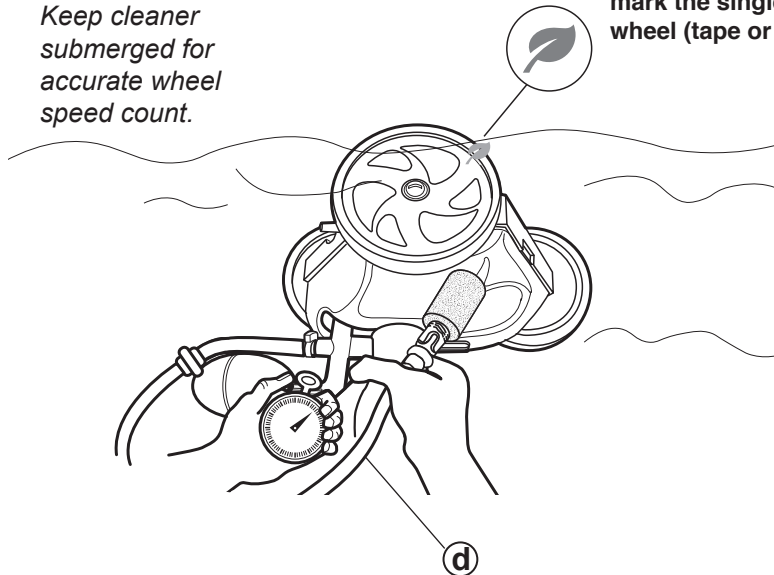
28 - 32 RPM

1 min

IMPORTANT

Keep cleaner submerged for accurate wheel speed count.

mark the single-side wheel (tape or small leaf)

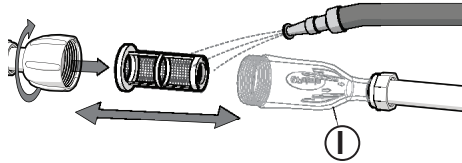


NOTE: If Back-Up Valve engages during timing, start over.

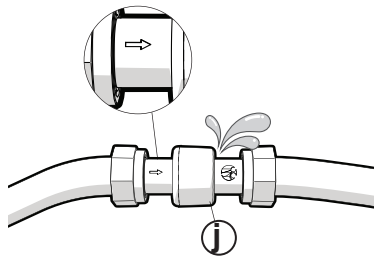
6

Adjust the Wheel Speed

< 28 RPM



- Check the filter screen in the In-Line Filter Assembly (l) for debris and rinse with clean water.
- Clear any debris from the skimmer, filter, and pump basket that could restrict water flow.

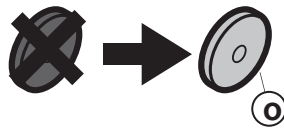


- Check hoses, connections, and swivels (j) for excessive leaking or spraying. Verify flow direction arrow (⇒) is toward the cleaner.

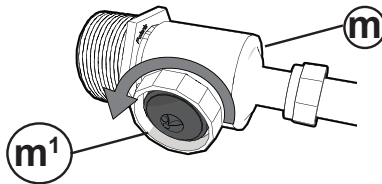


- Remove the blue restrictor disk (o) from the UWF®.

> 32 RPM



- Replace the Blue Restrictor Disk (o) in the UWF with the Red Restrictor Disk (o).



- Loosen the Pressure Relief Valve (m¹) at the Quick Disconnect (m) until the proper RPM is reached.

NOTE: The Pressure Relief Valve should only be adjusted when a restrictor disk is installed.

Fine Tuning the Cleaner

When operating correctly, the Polaris® cleaner vacuums, sweeps and scrubs all surfaces randomly throughout the pool. The climbing ability depends on the pool's shape and water pressure or flow. The cleaner climbs best in pools without sharp angles or curves in the transition from the pool floor to the pool wall. Approximately every 3-1/2 minutes the cleaner goes into back-up mode. This action pulls the cleaner away from pool obstacles and increases its random pattern.

Fine tune your cleaner for optimal operation, as necessary.

1 Adjust the Sweep Hose

The Sweep Hose (d) should move in a gentle sweeping motion. To increase or decrease sweeping motion:

1. Turn the booster pump OFF.
2. Rotate the sweep hose screw on the Feed Pipe (f).



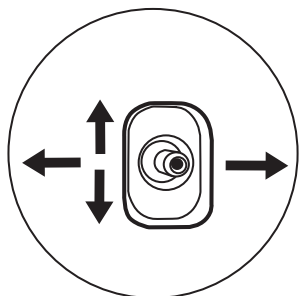
↻ Decrease motion

↻ Increase motion

2 Adjust the Thrust Jet

If the cleaner is veering left or right instead of tracking straight, adjust the thrust jet (on the back of the cleaner) for climbing or turning.

NOTE: Factory default setting is straight back. Only adjust the thrust jet to accommodate unique pool shapes.



↔ Turning

↕ Climbing

Routine Maintenance

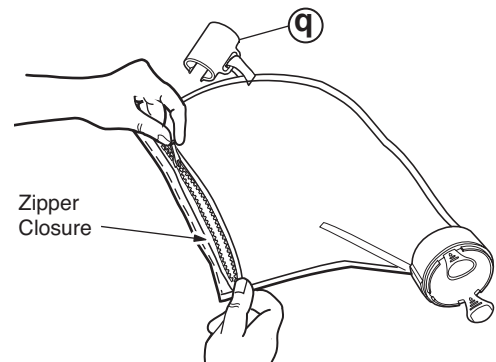
Perform routine maintenance to prolong the life of your cleaner.

1 Empty the Bag

Empty the bag when it is half full, especially if the debris load is sand.

NOTE: It is easier to empty the bag when it is dry. Alternate between two bags.

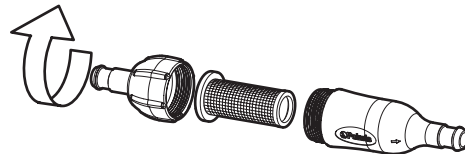
1. Remove the bag clip (q) from the feed hose.
2. Twist the bag connector until it disengages with a clicking sound from the vacuum tube and remove the filter bag.
3. Open the zipper and empty out the debris.
4. To replace the bag, align the markings on the connector and the vacuum tube.
5. Click the connector into position on the vacuum tube and reattach the bag clip to the hose.



2 Clean the In-Line Filter

To clean the in-line filter screen:

1. Remove the filter screen from the assembly, as shown.
2. Rinse with clean water.
3. Press the filter screen firmly back in place and tighten assembly.



3 Storage/Winterizing

NOTE: Never store the cleaner in direct sunlight.

To store the cleaner for the winter:

1. Remove cleaner from the pool and drain all water to avoid freezing water damage (freeze damage is not covered under the warranty).
2. Remove the UWF from the pool wall using the Quick Disconnect. Use a pulling pressure as you unscrew. If necessary, use the UWF Removal Tool (part #10-102-00) available from any Polaris® dealer.

Troubleshooting

Problem	Solution
Cleaner hangs up on steps or other obstacles for longer than 3 minutes.	<ol style="list-style-type: none"> 1. Check the wheel RPM. 2. Verify the back-up valve is cycling. 3. Adjust the thrust jet. 4. Remove unnecessary pool hardware or install a Ladder Guard Kit (part # G21) from a Polaris® dealer.
Cleaner is sluggish, running with less power than normal.	<ol style="list-style-type: none"> 1. Check the filter screen in the in-line filter and clean, if necessary. 2. Clean the skimmer basket, pump basket, and pool filter. 3. Check all of the hoses, connections, and swivels for leaks that could cause loss of water pressure. 4. Check the wheel RPM.
Cleaner flies around the pool and/or does not make contact with the bottom.	<ol style="list-style-type: none"> 1. Confirm that the blue restrictor disk is installed in the UWF to decrease water flow. Or, install the red restrictor disk to decrease water flow even more. 2. Check the wheel RPM. If more than 32 RPM, unscrew the pressure relief valve to decrease water flow to the cleaner. Note: The pressure relief valve should only be adjusted when a restrictor disk is installed. 3. Verify the back-up valve is cycling. Hold the valve out of the water and watch the jet. It should come on and go off.
Cleaner does not back up.	<ol style="list-style-type: none"> 1. Verify the back-up valve is cycling. 2. Check the wheel RPM. 3. If the bag is full, empty it. 4. If the head float has water in it, replace it. 5. Make sure feed hose is floating.
Cleaner only turns in one direction.	<ol style="list-style-type: none"> 1. Adjust the thrust jet. 2. Make sure feed hose is floating.

Problem	Solution
Feed hose becomes tangled.	<ol style="list-style-type: none"> 1. Remeasure the hose to verify that it is adjusted to the proper length for the pool shape. 2. With the cleaner operating, check that the swivels in the hose and the hose connections turn freely. 3. Make sure feed hose is floating. 4. With the cleaner turned off, spin each of the wheels. All wheels should turn together.
Sweep hose is sucked into the vacuum tube.	<ol style="list-style-type: none"> 1. Make sure the opening at the end of the sweep hose is not blocked by the sweep hose scrubber. 2. Adjust the sweep hose to a gentle sweeping motion.
Sweep hose sprays too much water out of the pool.	<ol style="list-style-type: none"> 1. Verify the TailSweep PRO® is installed correctly. 2. Adjust the speed of the sweep hose by tightening the adjustment screw. 3. Replace the sweep hose scrubber if it is worn or missing. 4. Add a sweep hose weight (part #B2) available through a Polaris® dealer.
The cleaner does not clean the entire pool.	<ol style="list-style-type: none"> 1. Check the hose length reaches within 6" of the farthest point of the pool. If not, order a new hose section from your Polaris dealer. 2. Check thrust jet for straight back position that optimizes random turning. 3. While the cleaner is operating, hold it upside down and look into the vacuum tube. There should be two distinct, even jets of water. If there are not, contact Customer Service or a Polaris dealer for assistance.
The cleaner is running in circles on its side.	<ol style="list-style-type: none"> 1. Check filter bag, if full it can weigh the cleaner down on one side. 2. Remove the head float and shake it. If there is water in the float, order a new one. 3. Check the hose floats to ensure they are spaced evenly.



Zodiac Pool Systems LLC
2620 Commerce Way, Vista, CA 92081
1.800.822.7933 | polarispool.com

Zodiac Pool Care Europe
Boulevard de la Romanerie -BP 90023
49180 St. Barthelemy d'Anjou cedex FRANCE
zodiac-poolcare.fr

Zodiac Pool Systems Canada, Inc.
2-3365 Mainway, Burlington, ON L7M 1A6
1.800.822.7933 | ZodiacPoolSystems.ca

Zodiac Group Australia PTY, Ltd.
19 Woodpark Rd. Smithfield
NSW, 2164
1300 763 021 | Zodiac.com.au



*Polaris® and the 3-wheeled cleaner design are registered trademarks of Zodiac Pool Systems, Inc.
All other trademarks referenced herein are the property of their respective owners.*

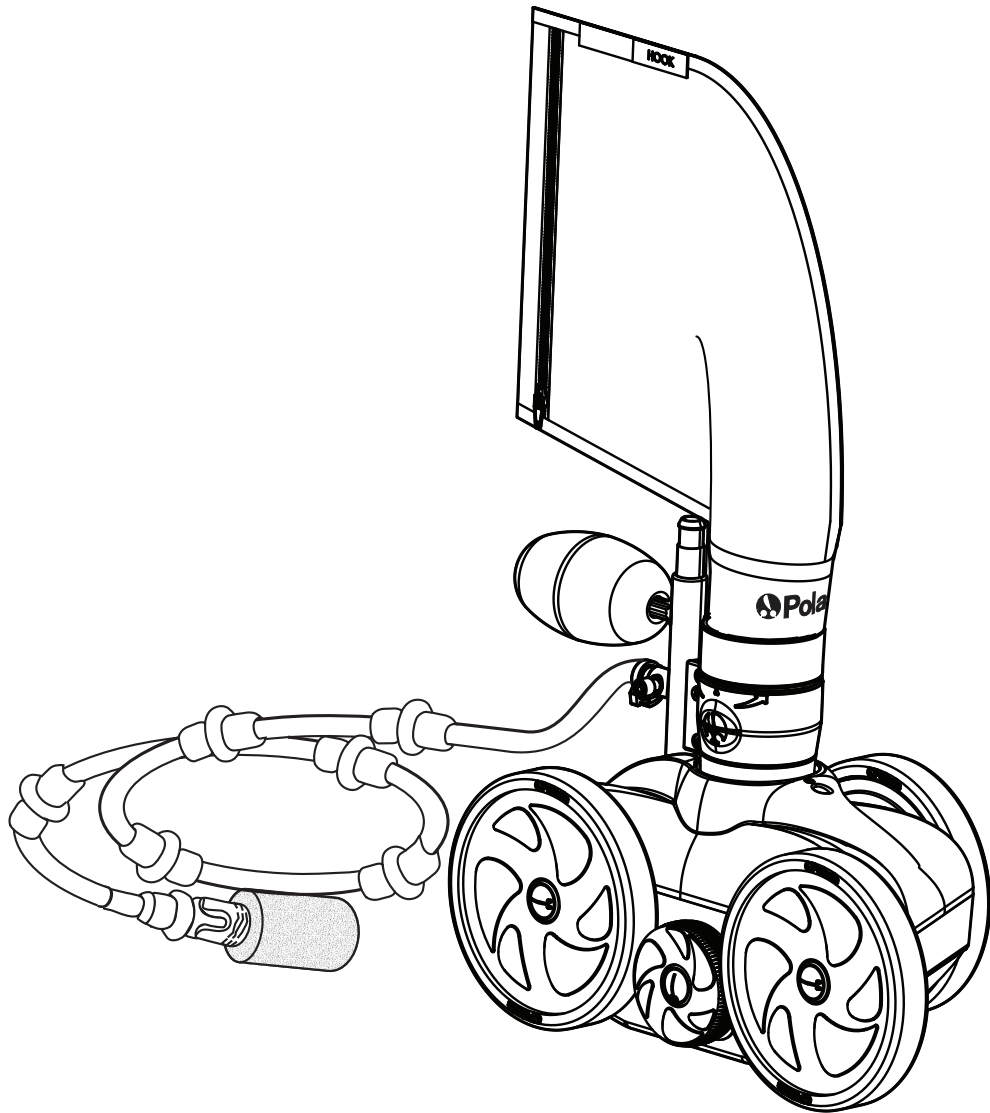
*Polaris® et la conception de nettoyeur à 3 roues sont des marques déposées de Zodiac Pool Systems, Inc.
Toutes les autres marques de commerce citées dans le présent document appartiennent à leurs propriétaires respectifs.*

*Polaris® y el diseño de limpiafondos de tres ruedas son marcas registradas de Zodiac Pool Systems, Inc.
Las demás marcas mencionadas en esta guía son propiedad de sus respectivos propietarios.*



Polaris®

TR28P



MANUEL UTILISATEUR

Français

Avant de commencer : informations importantes

- Avant d'installer le nettoyeur Polaris®, assurez-vous que le filtre de la piscine est propre.
- Les nouvelles conduites de plomberie doivent être rincées avant d'installer le nettoyeur.
- Le nettoyeur ne doit pas être utilisé pour éliminer la poussière de plâtre dans les nouvelles piscines.
- Sauf lors du contrôle de la vitesse de rotation de la roue, ne manipulez pas le robot pendant qu'il fonctionne.
- Retirez toujours le nettoyeur **avant que des personnes pénètrent dans la piscine**.
- Débranchez le nettoyeur de la paroi de la piscine lors du nettoyage ou du lavage à contre-courant du filtre de la piscine.
- Retirez toujours le nettoyeur de la piscine avant tout traitement chimique.
- Après le nettoyage ou le lavage à contre-courant, laissez le système de filtration fonctionner pendant au moins cinq minutes avant de rebrancher le nettoyeur.

Pour contacter le service clientèle ou le support :

Zodiac Pool Systems LLC

2620 Commerce Way, Vista, CA 92081
1.800.822.7933 | polarispool.com

Zodiac Pool Care Europe

Boulevard de la Romanerie -BP 90023
49180 St. Barthelemy d'Anjou cedex FRANCE
zodiac-poolcare.fr

Zodiac Pool Systems Canada, Inc.

2-3365 Mainway, Burlington, ON L7M 1A6
1.800.822.7933 | ZodiacPoolSystems.ca

Zodiac Group Australia PTY, Ltd.

19 Woodpark Rd. Smithfield
NSW, 2164
1300 763 021 | Zodiac.com.au



AVERTISSEMENT



Pour éviter les risques de blessures potentiellement graves :

- Ne manipulez pas le nettoyeur Polaris pendant son fonctionnement, sauf lors de la vérification de la vitesse de la roue.
- Retirez toujours le nettoyeur Polaris avant que des personnes pénètrent dans la piscine.

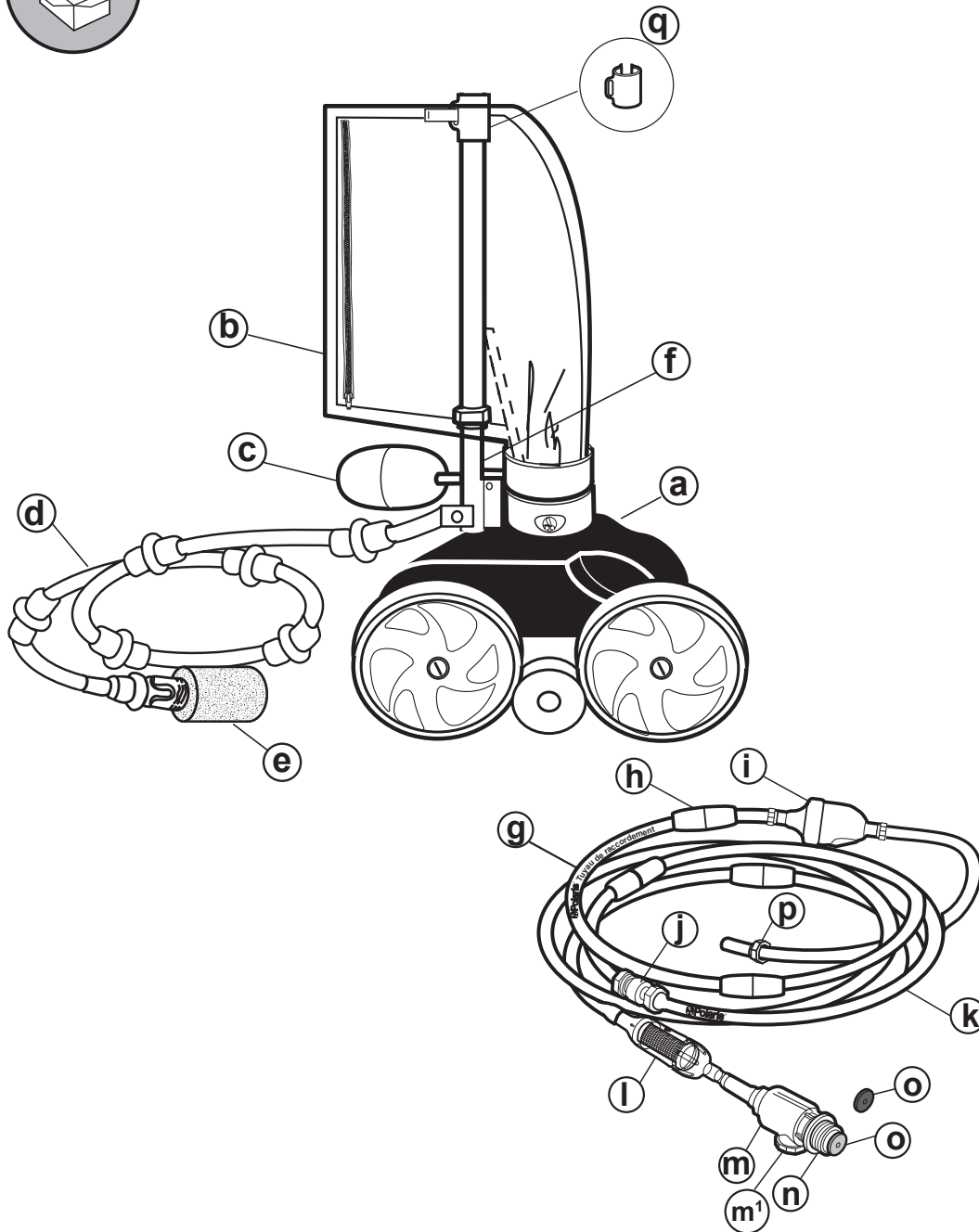
ATTENTION

UTILISATION D'UN POLARIS TR28P DANS UNE PISCINE AVEC LINER EN VINYLE

La surface de certains revêtements vinyle à motifs est particulièrement sensible et peut s'user rapidement et les motifs peuvent disparaître au contact d'objets tels que brosses de nettoyage, jouets, bouées, fontaines, distributeurs de chlore et nettoyeur de piscine automatique. Les motifs de certains revêtements vinyle peuvent être égratignés ou usés par simple frottement, tel qu'avec une brosse de piscine. La couleur du motif peut également s'effacer pendant l'installation ou en cas de contact avec des objets présents dans la piscine. Les motifs effacés, l'usure ou l'égratignure des revêtements vinyle ne relèvent pas de la responsabilité des Zodiac Pool Systems LLC, ses sociétés affiliées ou ses filiales, et ne sont pas couvertes par la garantie limitée.



Contenu de la boîte



- a - Corps du nettoyeur
- b - Sac à glissière tout usage
- c - Flotteur de tête
- d - Tuyau de balayage
- e - TailSweep PRO® avec nettoyeur de tuyau de balayage
- f - Tuyau d'alimentation avec coude
- g - Tuyau de raccordement
- h - Flotteurs

- i - Vanne de secours
- j - Pivot central
- k - Tuyau d'alimentation
- l - Assemblage de filtre en ligne
- m - Déconnexion rapide avec valve de décharge de pression (m')
- n - Raccord mural universel (UWF®)
- o - Disques restricteurs - (disque bleu installé / disque rouge dans le sac)
- p - Écrou de tuyau
- q - Clip de sac

Installation du nettoyeur



Lisez tout le manuel d'utilisation avant de commencer.

1

Rincer les canalisations de plomberie

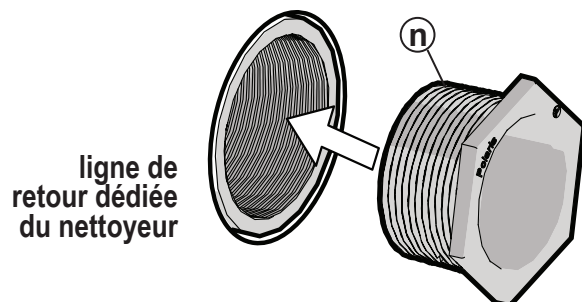
1. Mettre en marche la pompe de filtration, laisser s'amorcer. Mettre en marche le supprimeur et purger les canalisations pendant 5 minutes.
2. Arrêter les deux pompes.

2

Installer le raccord mural universel fileté (UWF)

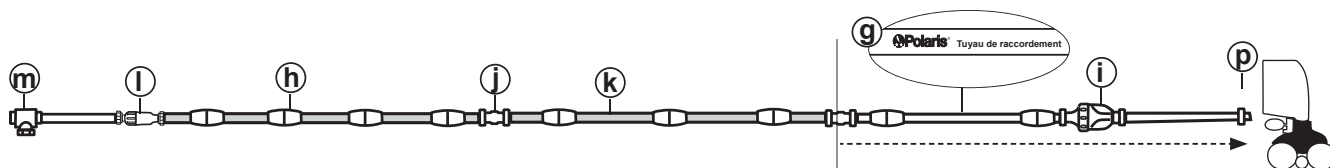
L'UWF s'installe sur les piscines avec une conduite de retour de nettoyeur dédiée et un raccord fileté femelle 3.8 cm.

1. Retirez le raccord mural universel (UWF) (n) avec le disque restricteur bleu (o) de la déconnexion rapide (m).
2. Vissez l'UWF (n), avec le disque restricteur bleu (o) en place, dans l'ouverture de la ligne de retour dédiée du nettoyeur.

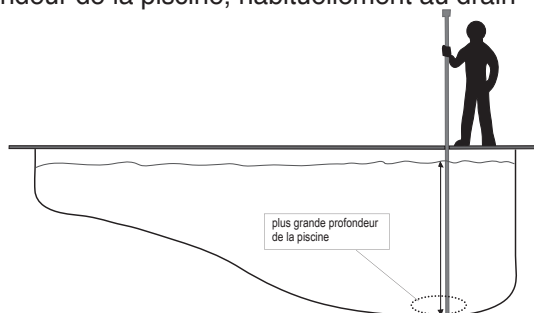


3 Ajuster l'assemblage du tuyau

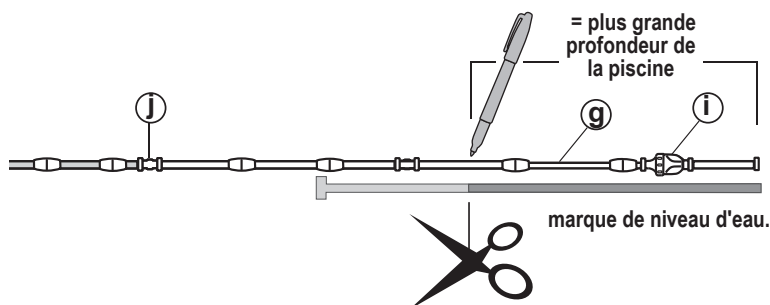
3a. Ajustez la longueur du tuyau de raccordement à la plus grande profondeur de la piscine



1. Redressez l'assemblage du tuyau en l'étendant à plat au soleil.
2. Identifiez la section du tuyau de raccordement (g), marquée Polaris® Leader Hose.
3. Mesurez et marquez la plus grande profondeur de la piscine, habituellement au drain principal, en utilisant une perche de piscine télescopique.
4. Posez la perche de piscine télescopique à côté du tuyau de raccordement (g) à partir de l'extrémité du tuyau de raccordement près de la vanne de secours (i). Transférez la marque de niveau d'eau de la perche télescopique sur le tuyau de raccordement (g).

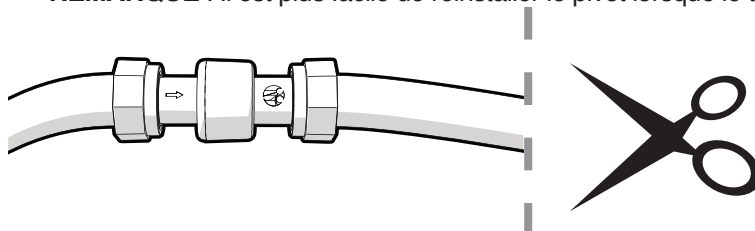


REMARQUE : Si la profondeur de la piscine est de 3m ou plus, NE PAS couper le tuyau de raccordement. Allez à la section 3b : Ajuster le tuyau d'alimentation à la longueur de la piscine.



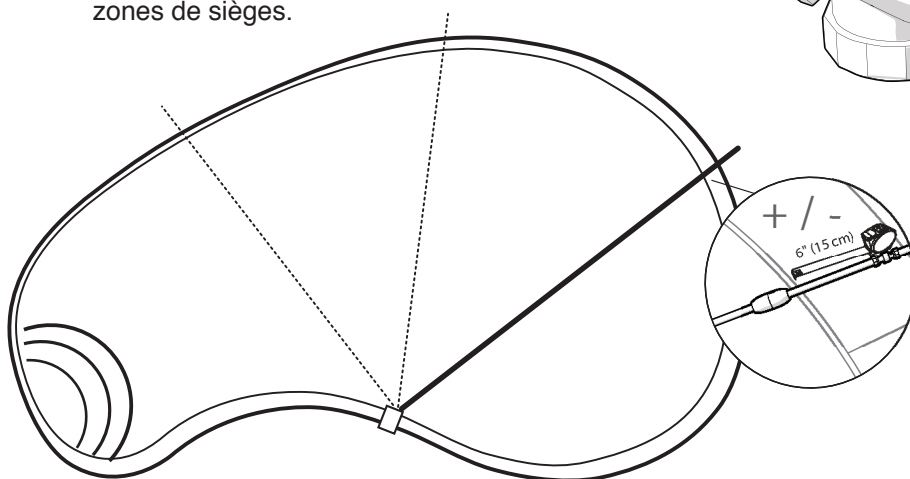
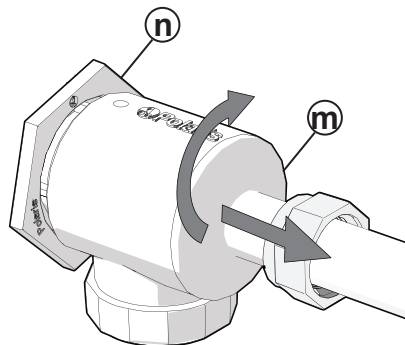
5. Coupez le tuyau de raccordement (g) à la marque (ne pas couper le flotteur). Détachez l'excès de tuyau de raccordement du pivot et jetez-le.
6. Rattachez le tuyau de raccordement (g) au tuyau d'alimentation (k) au pivot.

REMARQUE : Il est plus facile de réinstaller le pivot lorsque le tuyau et le pivot sont mouillés.



3b. Ajuster le tuyau d'alimentation à la longueur de la piscine

1. Raccordez l'ensemble de tuyau à l'ouverture dédiée de la conduite de retour du nettoyeur en tournant la déconnexion rapide (m) dans le sens des aiguilles d'une montre dans le raccord mural universel (n) et en tirant pour le fixer.
2. Étendez l'extrémité du tuyau jusqu'au point le plus éloigné de la piscine. N'incluez pas les marches ou les zones de sièges.



3. L'extrémité du tuyau doit être à plus ou moins 15 cm (6 po) du point le plus éloigné (voir l'image). La portion de tuyau qui dépasse du point le plus éloigné est le tuyau excédentaire. Voir les instructions de réglage du tuyau ci-dessous.

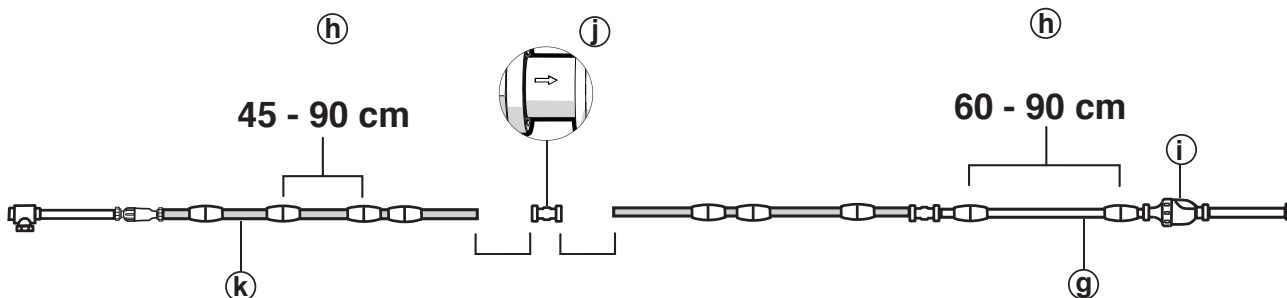
Tuyau trop long ?

- Avec l'assemblage du tuyau posé au sol, identifiez le pivot central (j).
- Faites glisser les flotteurs du tuyau à l'écart du pivot central (j) et séparez le pivot du tuyau.
- Coupez la moitié de la quantité excédentaire de chaque extrémité des sections de tuyau qui se fixent au pivot central (j).
- Rebranchez les sections de tuyau avec le pivot central (j). Assurez-vous que la flèche de direction d'écoulement (⇒) sur le pivot central (j) est pointée vers le nettoyeur.

Tuyau trop court ?

- Ajoutez une section de tuyau d'alimentation, un pivot et deux écrous de tuyau, disponibles chez votre revendeur Polaris® local. N'ajoutez pas plus d'une section de tuyau de 3 m.
- Ajustez à la bonne longueur.

4. Positionnez le premier flotteur de tuyau (h) contre la valve de secours (i) et le flotteur de tuyau suivant à une distance de 60 à 90 cm. Positionnez les flotteurs de tuyau restants (h) à 45-90 cm sur l'ensemble de tuyau comme indiqué.

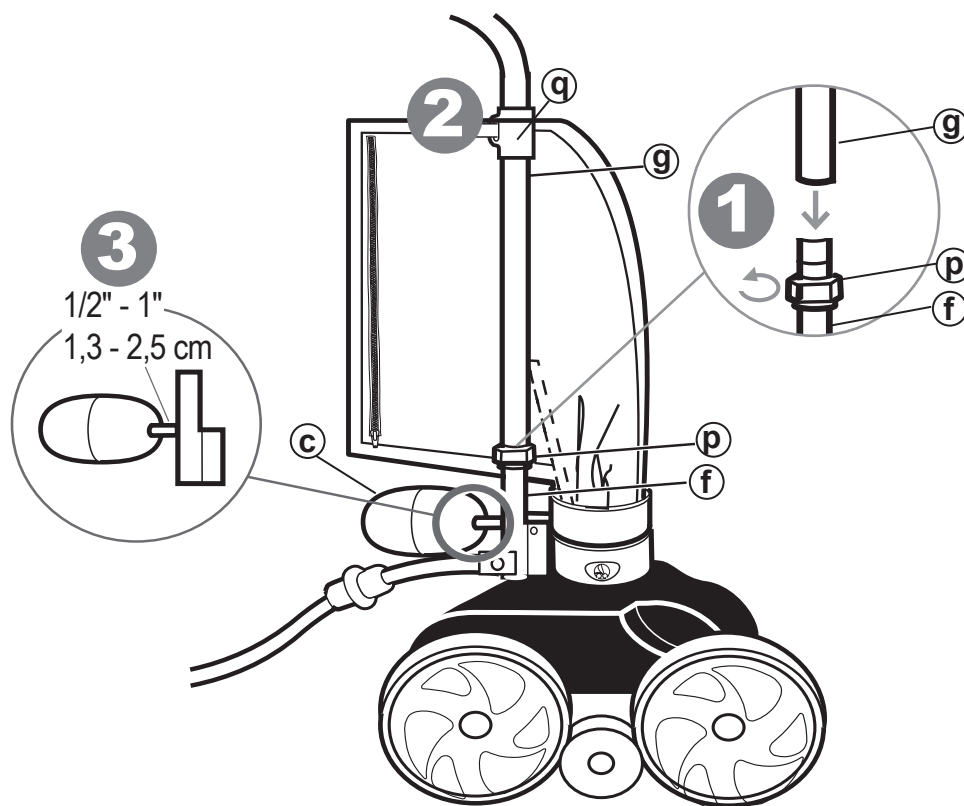


4 Assembler le nettoyeur



AVERTISSEMENT

Pour éviter tout risque de blessure grave, ne nagez pas et n'utilisez pas la piscine lorsque le nettoyeur est immergé ou en fonctionnement.



1. Utilisez l'écrou de tuyau (p) pour fixer le tuyau de raccordement (g) au tuyau d'alimentation (f).
REMARQUE : L'écrou de tuyau tourne dans le sens inverse des aiguilles d'une montre.
2. Fixez le sac au tuyau d'alimentation (g) à l'aide du clip de sac (q).
3. Placez le flotteur de tête (c) à 1,3 à 2,5 cm du tuyau d'alimentation (comme illustré).
4. Allumez la pompe à filtre et laissez-la s'amorcer avant d'allumer la pompe de surpression.

5

Vérifier la vitesse de rotation de la roue

Avant de faire fonctionner le nettoyeur, vérifiez que le nombre de tours par minute est correct. Pour une efficacité maximale, le nettoyeur doit fonctionner entre 28 et 32 tr/min.

1. Marquez la roue à un côté en utilisant un morceau de ruban adhésif (ou une petite feuille calée dans le pneu).
2. Allumez la pompe de surpression, maintenez le nettoyeur sous le niveau de l'eau et comptez les tours de roue pendant une minute. **Tenez le tuyau de balayage (d) pour éviter de vous mouiller.**
3. La vitesse optimale de rotation de la roue devrait être **entre 28 et 32 rotations par minute**. Si la vitesse de rotation des roues n'atteint pas l'intervalle désiré se reporter à la section 6 : *Réglage de la vitesse de rotation des roues*.



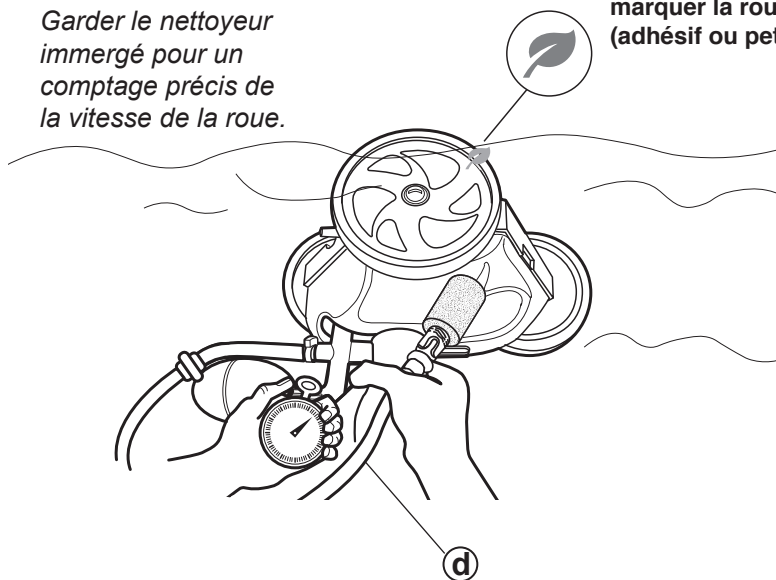
28 - 32 tr/min

1 minute

IMPORTANT

Garder le nettoyeur immergé pour un comptage précis de la vitesse de la roue.

marquer la roue à un côté
(adhésif ou petite feuille)

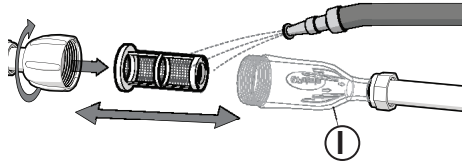


REMARQUE : Si la valve de secours s'engage pendant le chronométrage, recommencez.

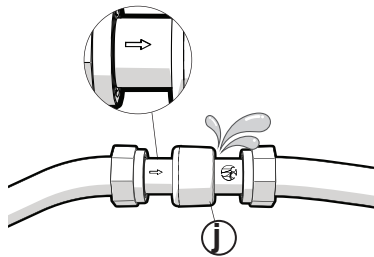
6

Réglage de la vitesse de rotation des roues

Moins de 28 tours par minute



- Vérifiez l'écran de filtre dans l'ensemble de filtre en ligne (l) pour la présence éventuelle de débris et rincez à l'eau propre.
- Éliminez tous les débris de l'écumeur, du filtre et du panier de la pompe qui pourraient restreindre le débit d'eau.

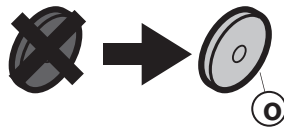


- Vérifiez les tuyaux, les raccords et les pivots (j) pour détecter des fuites ou des pulvérisations excessives. Vérifiez que la flèche du sens d'écoulement (⇔) est orientée vers le nettoyeur.

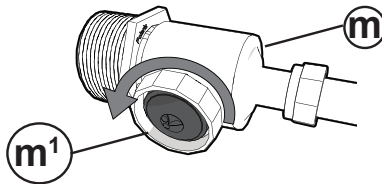


- Retirez le disque de restriction bleu (o) du raccord mural universel UWF®.

Plus de 32 tours par minute



- Remplacez le disque de restriction bleu (o) de l'UWF® par le disque de restriction rouge (o).



- Desserrez la valve de décharge de pression (m¹) sur la déconnexion rapide (m) jusqu'à ce que le régime correct soit atteint.

REMARQUE : La valve de décharge de pression ne doit être réglée que lorsqu'un disque de restriction est installé.

Réglage fin du nettoyeur

Lorsqu'il fonctionne correctement, le nettoyeur Polaris® aspire, balaie et frotte toutes les surfaces de la piscine de façon aléatoire. La capacité de montée aux parois dépend de la forme de la piscine et de la pression ou du débit de l'eau. Le nettoyeur monte mieux dans les piscines sans angles vifs ou courbes dans la transition du fond de la piscine au mur de la piscine. Environ toutes les 3 1/2 minutes, le nettoyeur passe en mode de recul. Cette action tire le nettoyeur des obstacles de la piscine et augmente son motif aléatoire.

Ajustez votre nettoyeur pour un fonctionnement optimal, si nécessaire.

1

Ajuster le tuyau de balayage

Le tuyau de balayage (d) devrait se déplacer lentement. Pour augmenter ou diminuer le mouvement de balayage :

1. Éteignez la pompe de surpression.
2. Tournez la vis du tuyau de balayage sur le tuyau d'alimentation (f).



Diminuer le mouvement



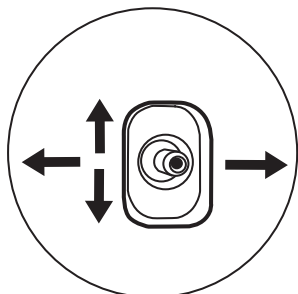
Augmenter le mouvement

2

Ajuster le jet de poussée

Si le nettoyeur tourne à gauche ou à droite au lieu d'aller tout droit, ajustez le jet de poussée (à l'arrière du nettoyeur) pour monter ou tourner.

REMARQUE : Le réglage d'usine par défaut est droit vers l'arrière. Ajustez uniquement le jet de poussée pour tenir compte des formes de piscine uniques.



Tournant



Montée

Maintenance de routine

Effectuer un entretien de routine pour prolonger la vie de votre nettoyeur.

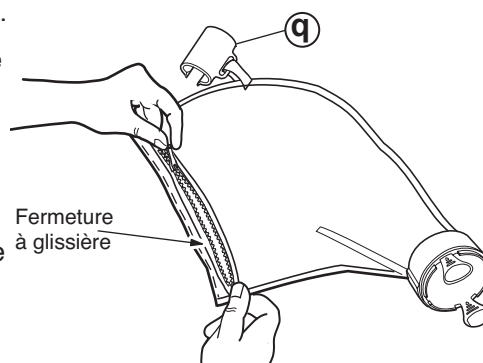
1

Vider le sac

Videz le sac quand il est à moitié plein, surtout si la charge de débris est constituée de sable.

REMARQUE : Il est plus facile de vider le sac quand il est sec. Alternier entre deux sacs.

1. Retirez le clip du sac (q) du tuyau d'alimentation.
2. Tournez le connecteur du sac jusqu'à ce qu'il se dégage avec un déclic provenant du tube à vide et retirez le sac filtrant.
3. Ouvrez la fermeture à glissière et videz les débris.
4. Pour remplacer le sac, alignez les repères sur le connecteur et le tube à vide.
5. Encliquez le connecteur en position sur le tube à vide et rattachiez le clip du sac au tuyau.

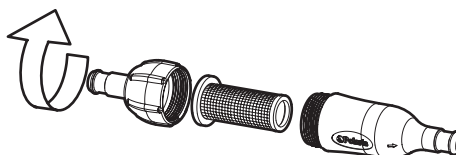


2

Nettoyer le filtre en ligne

Pour nettoyer l'écran du filtre en ligne :

1. Retirez l'écran du filtre de l'assemblage, comme indiqué.
2. Rincez à l'eau claire.
3. Appuyez fermement sur l'écran du filtre pour le remettre en place et resserrez l'assemblage.



3

Stockage/hivernage

REMARQUE : Ne stockez jamais le nettoyeur en plein soleil.

Pour stocker le nettoyeur pour l'hiver :

1. Enlevez le nettoyeur de la piscine et vidangez toute l'eau pour éviter les dégâts dus au gel (les dommages causés par le gel ne sont pas couverts par la garantie).
2. Retirez l'UWF de la paroi de la piscine à l'aide de la déconnexion rapide. Appliquez une force de traction pendant que vous dévissez.
Si nécessaire, utilisez l'outil de retrait UWF (pièce n° 10-102-00) disponible auprès de tout revendeur Polaris®.

Dépannage

Problème	Solution
Le nettoyeur reste rattaché sur les marches ou autres obstacles pendant plus de 3 minutes.	<ol style="list-style-type: none"> 1. Vérifiez la vitesse de rotation de la roue. 2. Vérifiez que la vanne de secours effectue un cycle. 3. Ajustez le jet de poussée 4. Retirez le matériel de piscine inutile ou installez un kit de protection d'échelle (pièce n° G21), disponible auprès de votre revendeur Polaris®.
Le nettoyeur est lent, fonctionne avec moins de puissance que la normale.	<ol style="list-style-type: none"> 1. Vérifiez l'écran du filtre dans le filtre en ligne et nettoyez-le si nécessaire. 2. Nettoyez le panier de l'écumeur, le panier de la pompe et le filtre de la piscine. 3. Vérifiez les tuyaux et les raccords en cherchant des fuites qui pourraient provoquer une perte de pression d'eau. 4. Vérifiez la vitesse de rotation de la roue.
Le nettoyeur survole et/ou ne touche pas le fond.	<ol style="list-style-type: none"> 1. Vérifiez que le disque de restriction bleu est installé dans l'UWF pour réduire le débit d'eau. Ou installez le disque de restriction rouge pour diminuer encore plus le débit d'eau. 2. Vérifiez la vitesse de rotation de la roue. Si plus de 32 tr/min, dévissez la valve de décharge de pression pour réduire le débit d'eau vers le nettoyeur. Remarque : La valve de décharge de pression ne doit être réglée que lorsqu'un disque de restriction est installé. 3. Vérifiez que la vanne de secours effectue un cycle. Tenez la valve hors de l'eau et observez le jet. Il devrait s'activer et se désactiver.
Le nettoyeur ne recule pas.	<ol style="list-style-type: none"> 1. Vérifiez que la vanne de secours effectue un cycle. 2. Vérifiez la vitesse de rotation de la roue. 3. Si le sac est plein, videz-le. 4. Si la tête flottante contient de l'eau, remplacez-la. 5. Assurez-vous que le tuyau d'alimentation flotte.
Le nettoyeur ne tourne que dans un sens.	<ol style="list-style-type: none"> 1. Ajustez le jet de poussée 2. Assurez-vous que le tuyau d'alimentation flotte.

Problème	Solution
Le tuyau d'alimentation s'emmêle.	<ol style="list-style-type: none"> 1. Mesurez à nouveau le tuyau pour vérifier qu'il est ajusté à la bonne longueur pour la forme de la piscine. 2. Lorsque le nettoyeur est en marche, vérifiez que les raccords tournants dans le flexible et les raccords de flexible tournent librement. 3. Assurez-vous que le tuyau d'alimentation flotte. 4. Avec le nettoyeur éteint, faites tourner chacune des roues. Toutes les roues doivent tourner ensemble.
Le tuyau de balayage est aspiré dans le tube à vide.	<ol style="list-style-type: none"> 1. Assurez-vous que l'ouverture au bout du tuyau de balayage n'est pas bloquée par le nettoyeur de tuyau de balayage. 2. Ajustez le tuyau de balayage à un léger mouvement de balayage.
Le tuyau de balayage pulvérise trop d'eau hors de la piscine.	<ol style="list-style-type: none"> 1. Vérifiez que le TailSweep PRO® est correctement installé. 2. Ajustez la vitesse du tuyau de balayage en serrant la vis de réglage. 3. Remplacez le nettoyeur de tuyau de balayage s'il est usé ou manquant. 4. Ajouter un poids de tuyau de balayage (pièce n° B2) disponible chez votre revendeur Polaris®.
Le nettoyeur ne nettoie pas toute la piscine.	<ol style="list-style-type: none"> 1. Vérifiez que la longueur du tuyau atteint 15 cm du point le plus éloigné de la piscine. Sinon, commandez une nouvelle section de tuyau chez votre revendeur Polaris. 2. Vérifiez que le jet de poussée est en position ligne droite qui optimise la rotation aléatoire. 3. Pendant que le nettoyeur fonctionne, tenez-le à l'envers et regardez dans le tube à vide. Il devrait y avoir deux jets d'eau distincts et égaux. Si ce n'est pas le cas, contactez le service clientèle ou un revendeur Polaris pour obtenir de l'aide.
Le nettoyeur tourne en rond sur le côté.	<ol style="list-style-type: none"> 1. Vérifiez le sac filtrant, s'il est plein, il peut incliner le nettoyeur sur un côté. 2. Retirez le flotteur de tête et secouez-le. S'il y a de l'eau dans le flotteur, commandez-en un nouveau. 3. Vérifiez que les flotteurs du tuyau sont espacés de manière uniforme.



Zodiac Pool Systems LLC
2620 Commerce Way, Vista, CA 92081
1.800.822.7933 | polarispool.com

Zodiac Pool Care Europe
Boulevard de la Romanerie -BP 90023
49180 St. Barthelemy d'Anjou cedex FRANCE
zodiac-poolcare.fr

Zodiac Pool Systems Canada, Inc.
2-3365 Mainway, Burlington, ON L7M 1A6
1.800.822.7933 | ZodiacPoolSystems.ca

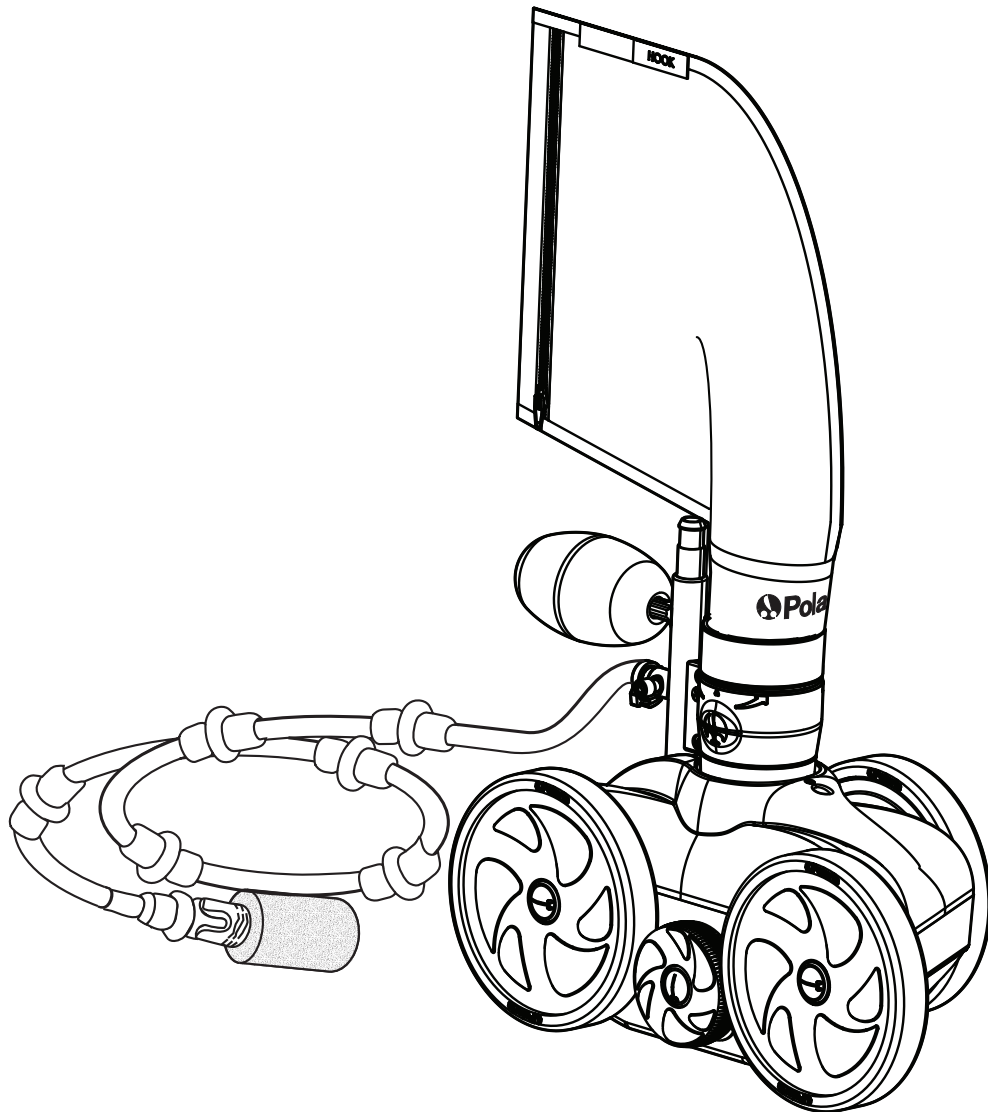
Zodiac Group Australia PTY, Ltd.
19 Woodpark Rd. Smithfield
NSW, 2164
1300 763 021 | Zodiac.com.au





Polaris®

TR28P



MANUAL DEL PROPIETARIO

Español

Antes de comenzar: información importante

- Antes de instalar el limpiafondos Polaris®, asegúrese de que el filtro de la piscina esté limpio.
- Las líneas nuevas de conductos deben enjuagarse antes de instalar el limpiafondos.
- El limpiafondos no debe usarse para extraer polvo de yeso de las piscinas nuevas.
- Salvo cuando compruebe las RPM de la rueda, no manipule el limpiafondos mientras está funcionando.
- Siempre retire el limpiafondos **antes de que las personas ingresen a la piscina.**
- Desconecte el limpiafondos de la pared de la piscina al limpiar o enjuagar el filtro de la piscina.
- Siempre retire el limpiafondos de la piscina antes de tratamientos con productos químicos.
- Después de limpiar o enjuagar, deje funcionar el sistema de filtración por al menos cinco minutos antes de volver a conectar el limpiafondos.

Para servicio o asistencia al cliente:

Zodiac Pool Systems LLC

2620 Commerce Way, Vista, CA 92081
1.800.822.7933 | polarispool.com

Zodiac Pool Care Europe

Boulevard de la Romanerie -BP 90023
49180 St. Barthelemy d'Anjou cedex FRANCIA
zodiac-poolcare.fr

Zodiac Pool Systems Canada, Inc.

2-3365 Mainway, Burlington, ON L7M 1A6
1.800.822.7933 | ZodiacPoolSystems.ca

Zodiac Group Australia PTY, Ltd.

19 Woodpark Rd. Smithfield
NSW, 2164
1300 763 021 | Zodiac.com.au

ADVERTENCIA



Para evitar riesgos de posibles lesiones:

- No maneje el limpiafondos Polaris mientras está funcionando, salvo para comprobar las RPM de la rueda.
- Siempre retire el limpiafondos Polaris antes de que las personas ingresen a la piscina.

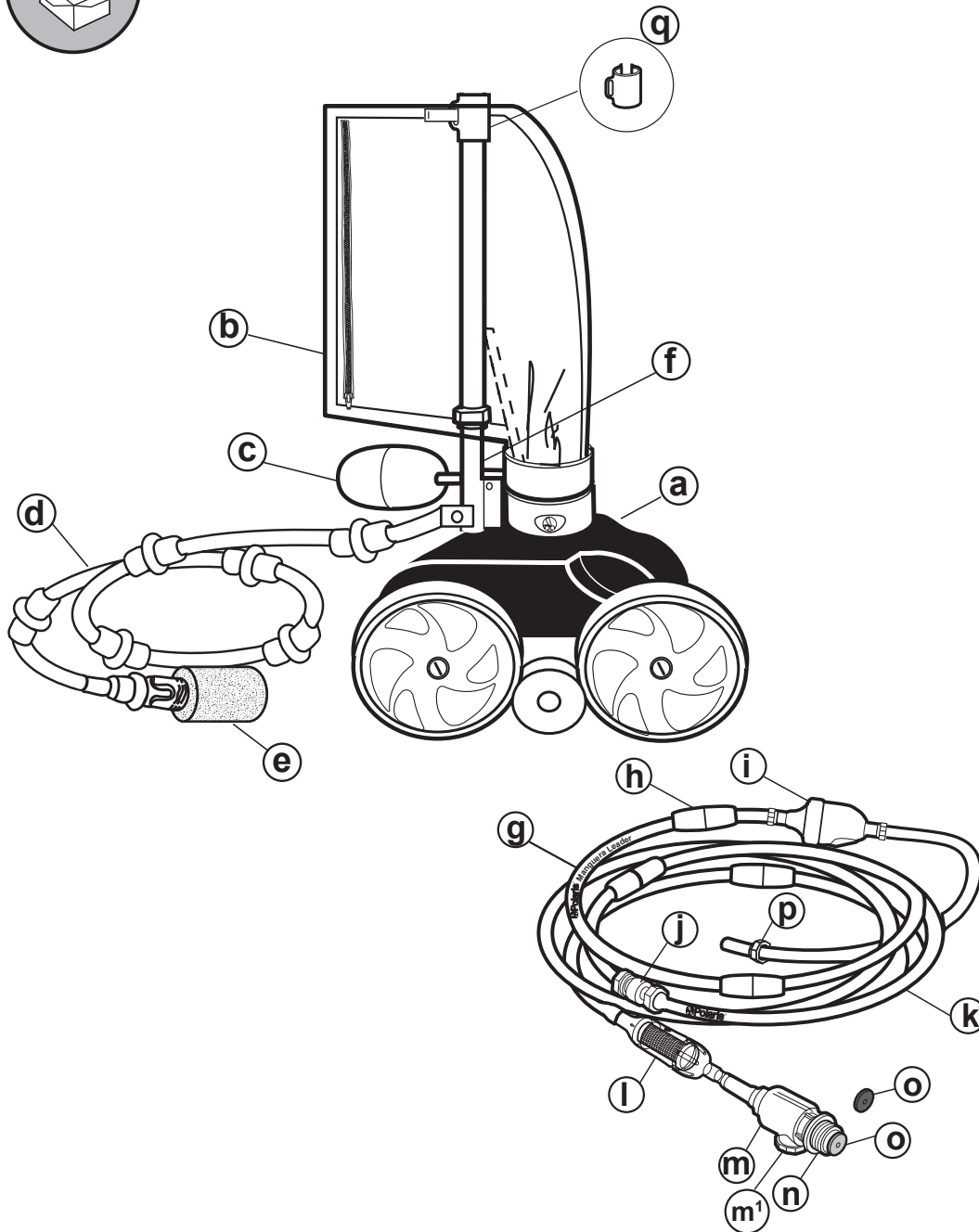
PRECAUCIÓN

USO DE UN POLARIS TR28P EN UNA PISCINA CON REVESTIMIENTO DE VINILO

Ciertos patrones de revestimientos de vinilo son particularmente susceptibles al desgaste rápido de la superficie o a la eliminación de patrones causados por objetos que entran en contacto con la superficie de vinilo, incluidos cepillos de piscina, juguetes, flotadores, fuentes, dispensadores de cloro y limpiafondos automáticos. Algunos patrones de revestimiento de vinilo se pueden rayar o desgastar seriamente sencillamente al frotar la superficie con un cepillo de piscina. La tinta del patrón también puede borrarse durante el proceso de montaje o al entrar en contacto con objetos dentro de la piscina. Zodiac Pool Systems LLC y sus filiales y subsidiarias no son responsables, y la garantía limitada no cubre, el borrado de patrones, abrasiones o marcas en los revestimientos de vinilo.



Contenido de la caja



a - Cuerpo del limpiafondos

b - Bolsa multiuso con cremallera

c - Flotador principal

d - Manguera de barrido

e - TailSweep PRO® con cepillo de manguera de barrido

f - Tubo de suministro con codo

g - Manguera Leader

h - Flotadores de la manguera

i - Válvula auxiliar

j - Pivote central giratorio

k - Manguera de suministro

l - Conjunto de filtro en línea

m - Desconexión rápida con válvula de alivio de presión (m')

n - Adaptador universal de pared (UWF®)

o - Discos limitadores - (disco azul instalado/disco rojo en la bolsa)

p - Tuerca de manguera

q - Clip de bolsa

Instalación del limpiafondos



Lea todo el manual del propietario antes de comenzar la instalación

1

Limpieza de conductos y tuberías

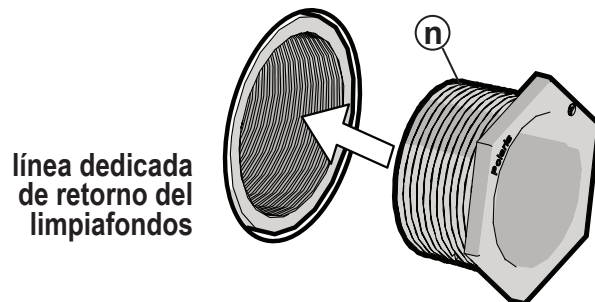
1. Encienda la bomba de filtración y deje cebar. Encienda la bomba de refuerzo y limpie los conductos por cinco minutos.
2. Apague las dos bombas.

2

Instale el adaptador universal de pared (UWF)

El UWF se instala en piscinas con una línea de retorno dedicada del limpiafondos y un adaptador roscado hembra de 3.8 cm.

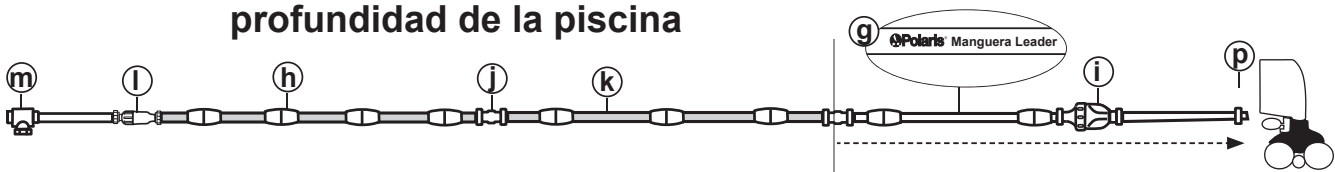
1. Extraiga el adaptador universal de pared (UWF) (n) con el disco limitador azul (o) de la desconexión rápida (m).
2. Enrosque el UWF (n) con el disco limitador azul (o) colocado, en la abertura de la línea dedicada de retorno del limpiafondos.



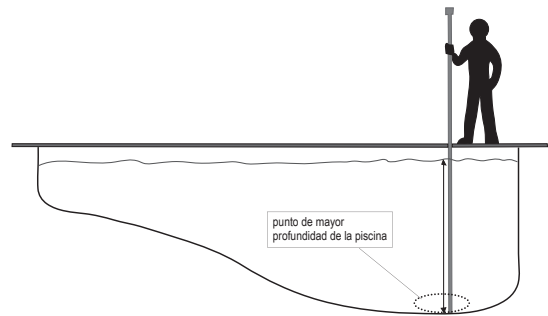
3

Ajuste el conjunto de la manguera

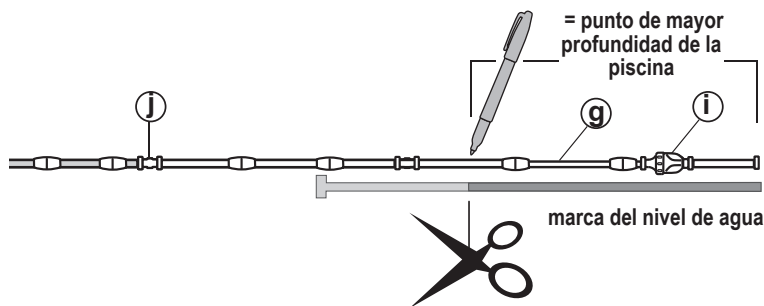
3a. Ajuste la longitud de la manguera Leader a la mayor profundidad de la piscina



1. Enderece el conjunto de la manguera disponiéndolo plano en el exterior.
2. Identifique la sección de la manguera Leader (g), marcada en la manguera Leader Polaris®.
3. Mida y marque la mayor profundidad de la piscina, generalmente en el drenaje principal, utilizando una pértiga de piscina telescópica.
4. Introduzca la pértiga telescópica en la piscina, junto a la manguera Leader (g) empezando por el extremo de la manguera Leader cerca de la válvula auxiliar (i). Transfiera la marca del nivel de agua de la pértiga telescópica a la manguera Leader (g).

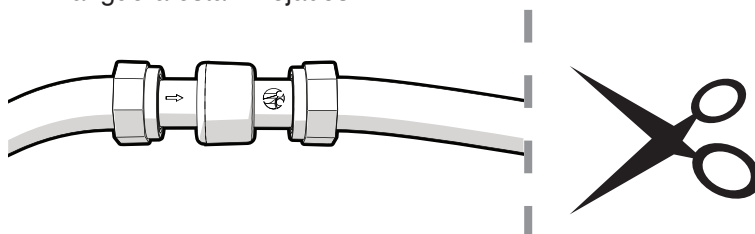


NOTA: Si la profundidad de la piscina es de 3 m o más, NO corte la manguera Leader. Vaya a la sección 3b: Ajuste la manguera de suministro conforme a la longitud de la piscina.



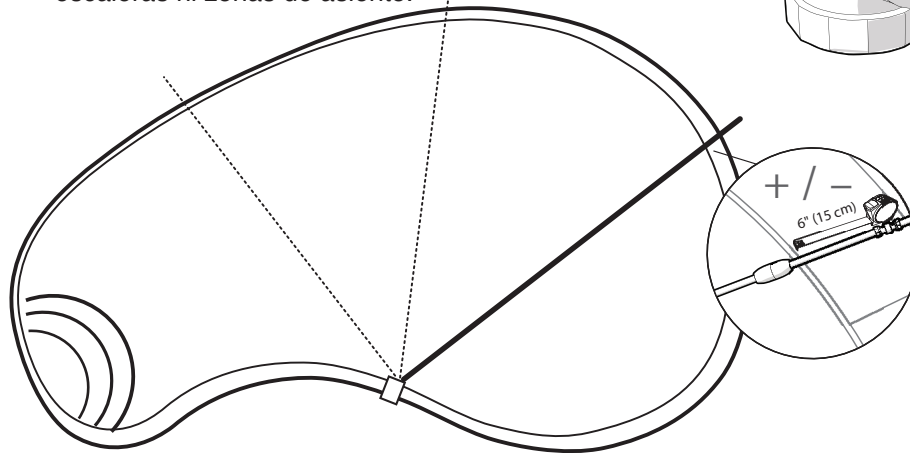
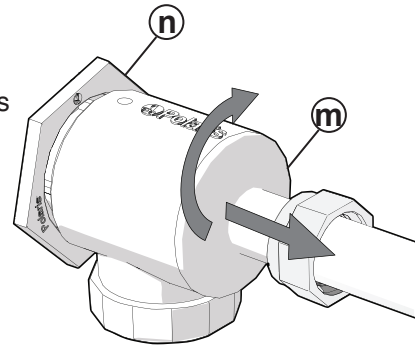
5. Corte la manguera Leader (g) en la marca (no corte el flotador). Retire la manguera Leader en exceso del pivote giratorio y deseche.
6. Vuelva a colocar la manguera Leader (g) en la manguera de suministro (k) en el pivote giratorio.

NOTA: Resulta más sencillo volver a instalar el pivote central giratorio cuando este y la manguera están mojados.



3b. Ajuste la longitud de la manguera de suministro conforme a la longitud de la piscina

1. Conecte el conjunto de la manguera a la abertura correspondiente de la línea de retorno del limpiafondos girando la Desconexión rápida (m) en sentido horario, introduciéndola en el UWF® (n) y tirando para asegurarla.
2. Extienda el extremo de la manguera hasta el punto más alejado de la piscina. No la coloque sobre escaleras ni zonas de asiento.



3. La longitud óptima de la manguera del limpiafondos debe estar a unos 15 cm (6 pulg.), ligeramente más o menos, del punto más alejado (ver imagen). La porción de la manguera que se extiende pasando el punto más lejano es el excedente de la manguera. Vea las instrucciones de ajuste de la manguera a continuación.

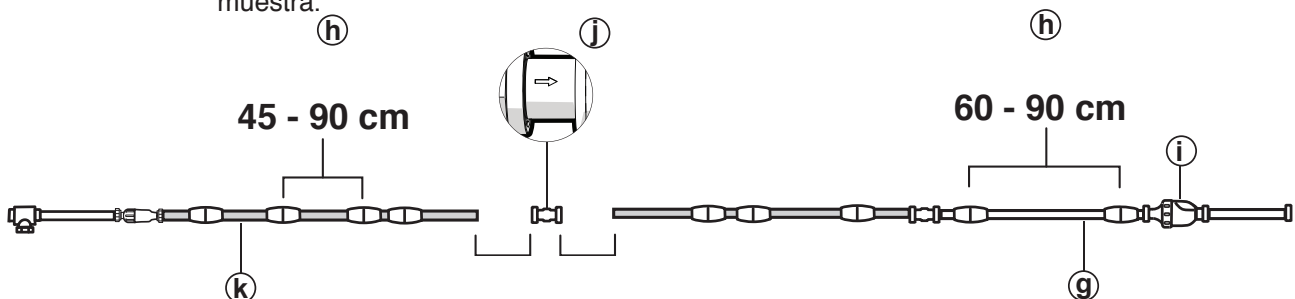
¿Manguera demasiado larga?

- Con el conjunto de la manguera apoyado en la plataforma, identifique el pivote giratorio central (j).
- Deslice los flotadores de manguera lejos del pivote central (j) y separe este de la manguera.
- Corte la mitad del excedente desde cada extremo de las secciones de la manguera que se conectan al pivote giratorio central (j).
- Vuelva a conectar las secciones de la manguera con el pivote oscilante central (j). Asegúrese de que la flecha de dirección de flujo (⇒) en el pivote giratorio central (j) señale hacia el limpiafondos.

¿Manguera demasiado corta?

- Añada una sección de manguera de suministro con flotadores, un pivote giratorio y dos tuercas de manguera, disponibles a través de su distribuidor Polaris® local. No añada más de una sección de manguera de 3 m (10 pies).
- Ajuste a la longitud adecuada.

4. Coloque el primer flotador de la manguera (h) contra la válvula auxiliar (i) y el siguiente flotador de la manguera dentro de 60-90 cm (2-3 pies). Coloque los flotadores de la manguera (h) restantes a 45-90 cm (1,5-3 pies) en el conjunto de la manguera, como se muestra.

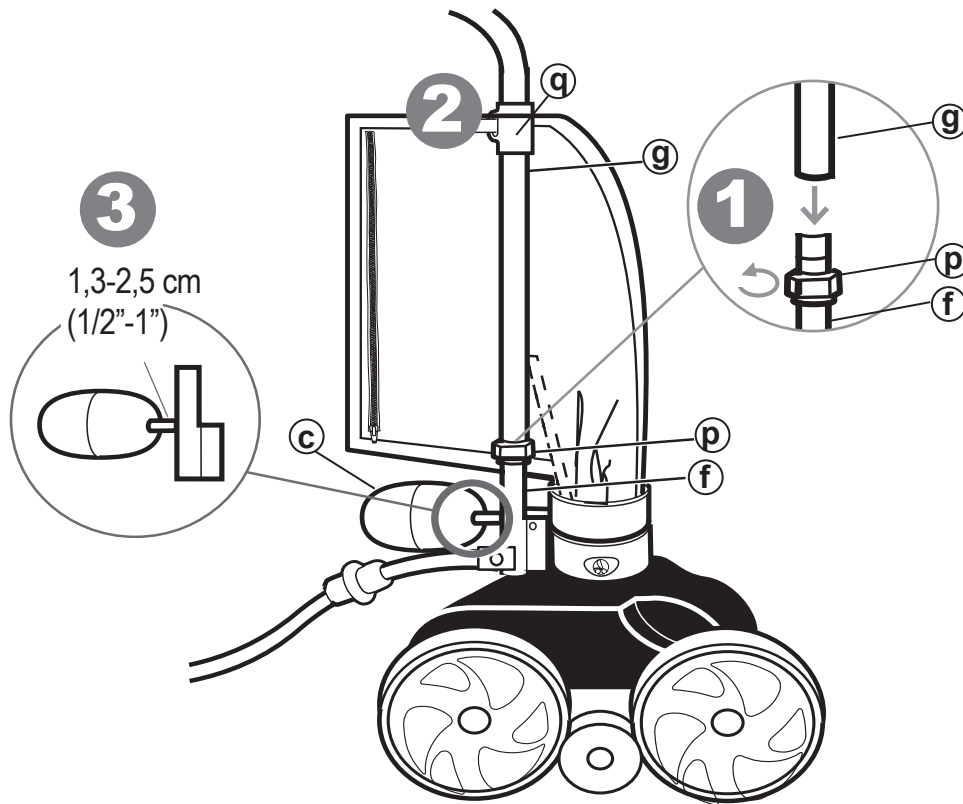


4 Montaje del limpiafondos



⚠ ADVERTENCIA

Para evitar el riesgo de lesiones potencialmente graves, no nade ni use la piscina cuando el limpiafondos está sumergido o está funcionando.



1. Use la tuerca de la manguera (p) para conectar la manguera Leader (g) al tubo de alimentación (f).
NOTA: Ajuste la tuerca de la manguera girando en sentido antihorario.
2. Coloque la bolsa a la manguera Leader (g) con el clip de bolsa (q).
3. Coloque el flotador del cabezal (c) de 1,3 a 2,5 cm (1/2 pulg. a 1 pulg.) del tubo de alimentación (como se muestra).
4. Encienda la bomba del filtro y deje cebar antes de encender la bomba de refuerzo.

5

Compruebe las RPM correctas de la rueda

Antes de utilizar el limpiafondos, compruebe las revoluciones por minuto (RPM) correctas. Para una eficiencia máxima, el limpiafondos debe usarse entre 28 y 32 RPM.

1. Marque la rueda de lado único con cinta (o una pequeña hoja colocada debajo del neumático).
2. Encienda la bomba de refuerzo, sostenga el limpiafondos debajo del nivel del agua y cuente las revoluciones de la rueda por un minuto. **Sostenga la manguera de barrido (d) para evitar que se moje.**
3. La velocidad óptima de la rueda debe ser **entre 28 y 32 RPM**. Si el conteo no se encuentra en el rango objetivo, consulte la sección 6: *Ajuste la velocidad de la rueda.*



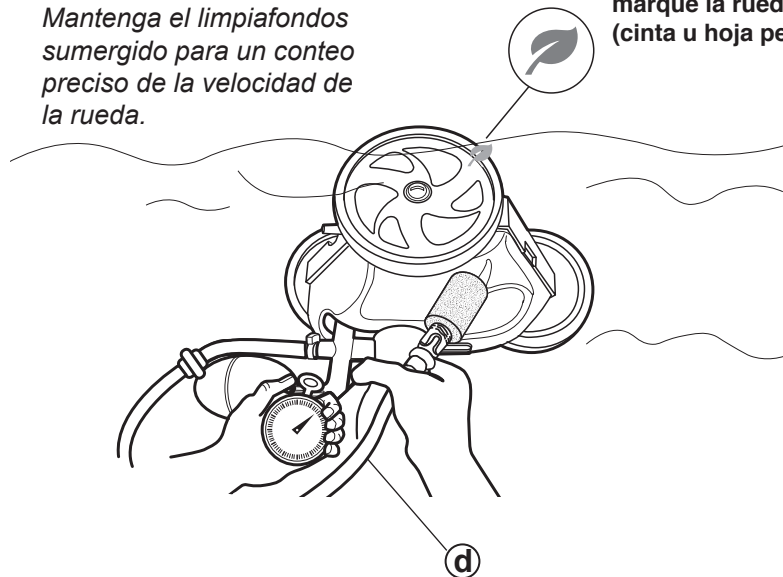
28-32 RPM

1 min

IMPORTANTE

Mantenga el limpiafondos sumergido para un conteo preciso de la velocidad de la rueda.

marque la rueda de un lado
(cinta u hoja pequeña)

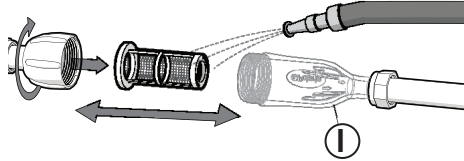


NOTA: Si la válvula auxiliar se acopla en este momento, reinicie el proceso.

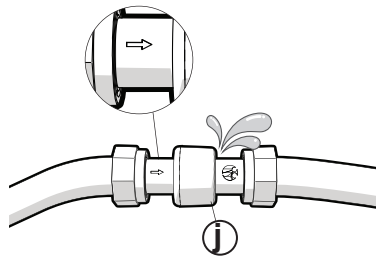
6

Ajuste la velocidad de la rueda

<28 RPM



- Compruebe la malla del filtro en el conjunto en línea (l) en busca de suciedad y enjuáguela con agua limpia.
- Elimine cualquier resto del skimmer, el filtro y la cesta de la bomba que pudiera limitar el flujo de agua.

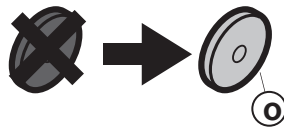


- Verifique el buen estado de mangueras, conexiones y pivotes giratorios (j) y busca signos de escapes o fugas excesivas. Verifique que la flecha de dirección del flujo (⇔) esté orientada hacia el limpiafondos.

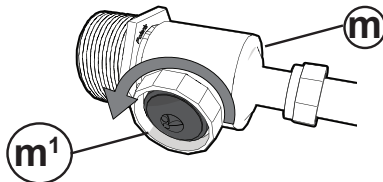


- Retire el disco limitador azul (o) del UWF®.

>32 RPM



- Sustituya el disco limitador azul (o) del UWF por el disco limitador rojo (o).



- Afloje la válvula de alivio de presión (m¹) en la desconexión rápida (m) hasta alcanzar las RPM correctas.

NOTA: La válvula de alivio de presión solo debe ajustarse cuando se haya instalado un disco limitador.

Ajuste fino del limpiafondos

Cuando funciona correctamente, el limpiafondos Polaris® aspira, barre y cepilla todas las superficies de la piscina al azar. La capacidad de trepado depende de la forma de la piscina y la presión o flujo de agua. El limpiafondos trepa mejor en piscinas sin ángulos o curvas pronunciadas del piso de la piscina a la pared de la piscina. Aproximadamente cada 3-1/2 minutos, el limpiafondos acopla el modo de reversa. Esta acción aleja del limpiafondos de los obstáculos de la piscina y aumenta su patrón aleatorio.

Realice un ajuste fino del limpiafondos para una operación óptima, según sea necesario.

1 Ajuste la manguera de barrido

La manguera de barrido (d) debe moverse en un movimiento de barrido suave. Para aumentar o reducir el movimiento de barrido:

1. Apague la bomba de refuerzo.
2. Gire el tornillo de la manguera de barrido en el tubo de alimentación (f).



Movimiento
para
reducir

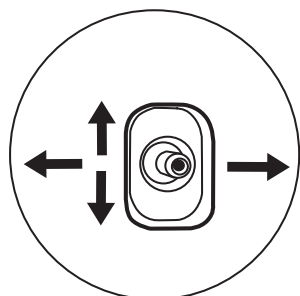


Movimiento
para
aumentar

2 Ajuste el chorro de empuje

Si el limpiafondos gira a la izquierda o la derecha en lugar de avanzar en línea recta, ajuste el chorro de empuje (en la parte posterior del limpiafondos) para trepar o girar.

NOTA: El ajuste predeterminado de fábrica es en línea recta hacia atrás. Solo ajuste el chorro de empuje para adaptarse a formas únicas de la piscina.



Giro



Elevación

Mantenimiento de rutina

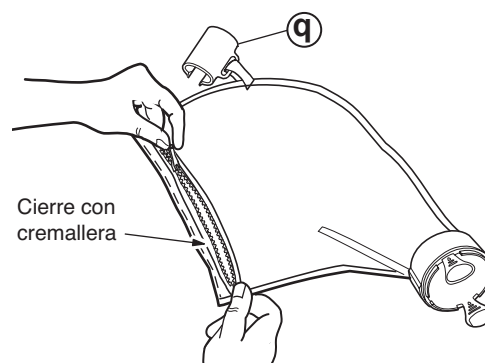
Realice el mantenimiento de rutina para prolongar la vida de su limpiafondos.

1 Vacíe la bolsa

Vacíe la bolsa cuando esté o llena, especialmente si la carga de suciedad es arena.

NOTA: Es más fácil vaciar la bolsa cuando está seca. Alterne entre dos bolsas.

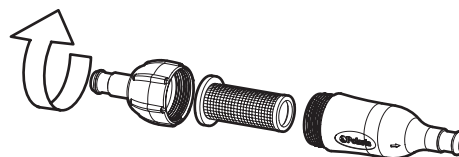
1. Retire el clip de la bolsa (q) de la manguera de suministro.
2. Gire el conector de la bolsa hasta que se libere con un chasquido del tubo de la aspiradora y retire la bolsa del filtro.
3. Abra la cremallera y vacíe la suciedad.
4. Para reemplazar la bolsa, alinee las marcas en el conector y el tubo de la aspiradora.
5. Encastre el conector en su posición en el tubo de la aspiradora y vuelva a colocar el clip de la bolsa en la manguera.



2 Limpie el filtro en línea

Para limpiar la malla del filtro en línea:

1. Retire la malla del filtro del conjunto, como se muestra.
2. Enjuague con agua limpia.
3. Presione la malla del filtro firmemente en su lugar y ajuste el conjunto.



3 Almacenamiento/preparación para el invierno

NOTA: Nunca almacene el limpiafondos bajo la luz directa del sol.

Para almacenar el limpiafondos para el invierno:

1. Retire el limpiafondos de la piscina y drene toda el agua para evitar daño por agua congelada (el daño por congelamiento no se cubre en la garantía).
2. Retire el UWF de la pared de la piscina con la desconexión rápida. Use presión de extracción al desatornillar.
De ser necesario, use la herramienta de extracción de UWF (n.º de pieza 10-102-00) disponible de cualquier distribuidor Polaris®.

Resolución de problemas

Problema	Solución
El limpiafondos se detiene en los escalones u otros obstáculos por más de 3 minutos.	<ol style="list-style-type: none"> 1. Compruebe las RPM de la rueda. 2. Compruebe que la válvula auxiliar esté funcionando. 3. Ajuste el chorro de empuje. 4. Retire los equipos innecesarios de la piscina o instale un conjunto de protección de la escalera (n.º de pieza G21) de un distribuidor Polaris®.
El limpiafondos está lento, funciona con menos potencia que la normal.	<ol style="list-style-type: none"> 1. Compruebe la malla del filtro en el filtro en línea y limpie de ser necesario. 2. Limpie la canasta del skimmer, la canasta de la bomba y el filtro de la piscina. 3. Compruebe todas las mangueras, conexiones y pivotes giratorios para detectar fugas que podrían causar la pérdida de presión de agua. 4. Compruebe las RPM de la rueda.
El limpiafondos flota por la piscina o no hace contacto con el fondo.	<ol style="list-style-type: none"> 1. Conforme que el disco limitador azul esté instalado en el UWF para reducir el flujo de agua. O instale el disco limitador rojo para reducir aún más el flujo de agua. 2. Compruebe las RPM de la rueda. Si hay más de 32 RPM, desatornille la válvula de alivio de presión para reducir el flujo de agua al limpiafondos. Nota: La válvula de alivio de presión solo debe ajustarse cuando se haya instalado un disco limitador. 3. Compruebe que la válvula auxiliar esté funcionando. Sostenga la válvula fuera del agua y observe el chorro de agua. Debe activarse y apagarse.
El limpiafondos no retrocede.	<ol style="list-style-type: none"> 1. Compruebe que la válvula auxiliar esté funcionando. 2. Compruebe las RPM de la rueda. 3. Si la bolsa está llena, debe vaciarla. 4. Si el cabezal de flotación tiene agua, debe reemplazarlo. 5. Asegúrese de que la manguera de suministro flote.
El limpiafondos solo gira en una dirección.	<ol style="list-style-type: none"> 1. Ajuste el chorro de empuje. 2. Asegúrese de que la manguera de suministro flote.

Problema	Solución
<p>La manguera de suministro está enredada.</p>	<ol style="list-style-type: none"> 1. Vuelva a medir la manguera para verificar que se ajuste a la longitud apropiada para la forma de la piscina. 2. Con el limpiafondos funcionando, compruebe que los pivotes giratorios en la manguera y las conexiones de la manguera giren libremente. 3. Asegúrese de que la manguera de suministro flote. 4. Con el limpiafondos apagado, gire cada una de las ruedas. Todas las ruedas deben girar juntas.
<p>La manguera de barrido se inserta en el tubo de la aspiradora.</p>	<ol style="list-style-type: none"> 1. Asegúrese de que la abertura en el extremo de la manguera de barrido no está bloqueada por el cepillo de la manguera de barrido. 2. Ajuste a manguera de barrido a un movimiento suave de barrido.
<p>La manguera de barrido pulveriza demasiada agua fuera de la piscina.</p>	<ol style="list-style-type: none"> 1. Verifique que el TailSweep PRO® esté correctamente instalado. 2. Ajuste la velocidad de la manguera de barrido apretando el tornillo de ajuste. 3. Reemplace el cepillo de la manguera de barrido si está gastado o faltante. 4. Agregue un peso a la manguera de barrido (n.º de pieza B2) disponible a través de un distribuidor Polaris®.
<p>El limpiafondos no limpia toda la piscina.</p>	<ol style="list-style-type: none"> 1. Verifique que la longitud de la manguera alcance a 15,2 cm (6 pulg.) del punto más lejano de la piscina. De lo contrario, solicite una nueva sección de manguera a su distribuidor Polaris. 2. Compruebe que el chorro de empuje esté en una posición trasera recta que optimice el giro aleatorio. 3. Cuando el limpiafondos está funcionando manténgalo invertido y observe el tubo de la aspiradora. Debe observar dos chorros de agua diferentes. De lo contrario, contacte al Servicio de Asistencia al Cliente o a un distribuidor Polaris para obtener asistencia.
<p>El limpiafondos funciona en círculos o sobre un lado.</p>	<ol style="list-style-type: none"> 1. Compruebe la bolsa del filtro, si está llena, puede empujar el limpiafondos sobre un lado. 2. Retire el flotador del cabezal y sacúdalo. Si hay agua en el flotador, solicite uno nuevo. 3. Compruebe los flotadores de la manguera para asegurarse de que estén separados uniformemente.



Zodiac Pool Systems LLC
2620 Commerce Way, Vista, CA 92081
1.800.822.7933 | polarispool.com

Zodiac Pool Care Europe
Boulevard de la Romanerie -BP 90023
49180 St. Barthelemy d'Anjou cedex FRANCIA
zodiac-poolcare.fr

Zodiac Pool Systems Canada, Inc.
2-3365 Mainway, Burlington, ON L7M 1A6
1.800.822.7933 | ZodiacPoolSystems.ca

Zodiac Group Australia PTY, Ltd.
19 Woodpark Rd. Smithfield
NSW, 2164
1300 763 021 | Zodiac.com.au



*Polaris® y el diseño de limpiafondos de tres ruedas son marcas registradas de Zodiac Pool Systems, Inc.
Las demás marcas mencionadas en esta guía son propiedad de sus respectivos propietarios.*

©2018 Zodiac Pool Systems LLC H0646400 REV A