



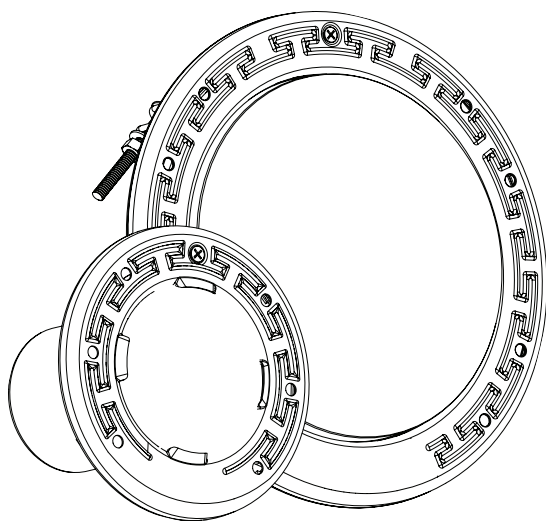
ENGLISH

ESPAÑOL

FRANÇAIS

# INTELLIBRITE®

ARCHITECTURAL SERIES POOL/SPA LIGHT



## INSTALLATION AND USER'S GUIDE

IMPORTANT SAFETY INSTRUCTIONS  
READ AND FOLLOW ALL INSTRUCTIONS  
SAVE THESE INSTRUCTIONS

# CUSTOMER SERVICE AND TECHNICAL SUPPORT

---

**Hours:** 8:00AM to 7:30PM EST (5:00AM - 4:30PM PST)

**Call:** (800) 831-7133

**Fax:** (800) 284-4151

**Visit:** [www.pentair.com](http://www.pentair.com)

## TABLE OF CONTENTS

---

<b>IMPORTANT SAFETY INSTRUCTIONS</b> .....	<b>ii-iii</b>
<b>INSTALLATION</b> .....	<b>1</b>
Overview .....	1
Operating Lights Using a Standard Wall Switch .....	1
Using an External Transformer for Multiple Lights (12V Lights Only) .....	1
Electrical Installation Requirements (USA) .....	2
Electrical Installation Requirements (Canada) .....	3
Junction Box Installation Requirements for Canadian Installs ...	4
Light Assembly Installation .....	5-6
<b>OPERATION</b> .....	<b>7</b>
Manually Selecting a Light Show or Color .....	7
<b>MAINTENANCE</b> .....	<b>8</b>
Replacing the Light Assembly .....	8-9
Removing and Disassembling the Pool Light .....	10-11
Replacing the Fuse Assembly (12V Pool Lights Only) .....	12
Replacing the Pool Light LED Boards (Pool Lights Only) .....	13
Reassembling the Pool Light .....	14
Removing and Disassembling the Spa Light .....	15-16
Reassembling the Spa Light .....	17
<b>REPLACEMENT PARTS</b> .....	<b>18</b>
12V Pool Light Replacement Parts .....	18
120V Pool Light Replacement Parts .....	19
12V Spa Light Replacement Parts .....	20
120V Spa Light Replacement Parts .....	21

# IMPORTANT SAFETY INSTRUCTIONS



**IMPORTANT NOTICE - Attention Installer:** This Installation and User's Guide ("Guide") contains important information about the installation, operation and safe use of this light. This Guide should be given to the owner and/or operator of this equipment.



**WARNING** Before installing this product, read and follow all warning notices and instructions in this Guide. Failure to follow warnings and instructions can result in severe injury, death, or property damage. Call (800) 831-7133 for additional free copies of these instructions. Please refer to [www.pentair.com](http://www.pentair.com) for more information related to this products.

**Before Installing luminaires read the following:**



**WARNING** Always install a new Wire Clamp assembly and Lens Gasket when reassembling the light assembly. Failure to do so may permit water to leak into the assembly which could cause; (a) an electrical hazard resulting in death or serious injury to pool/spa users, installer, or others due to electrical shock, or (b) breakage of the lamp or lens, which likewise could result in serious injury to pool/spa user, installers, or bystanders, or in damage to property.



**SERIOUS BODILY INJURY OR DEATH CAN RESULT IF THIS LIGHT IS NOT INSTALLED AND USED CORRECTLY.**



**INSTALLERS, POOL/SPA OPERATORS AND POOL/SPA OWNERS MUST READ THESE WARNINGS AND ALL INSTRUCTIONS BEFORE USING THE LIGHT.**



**WARNING** Most states and local codes regulate the construction, installation, and operation of public pools and spas, and the construction of residential pools and spas. It is important to comply with these codes, many of which directly regulate the installation and use of this product. Consult your local building and health codes for more information.



**RISK OF ELECTRICAL SHOCK OR ELECTROCUTION: THIS LIGHT REQUIRES HIGH VOLTAGE WHICH CAN SHOCK, BURN, OR CAUSE DEATH.**



**BEFORE SERVICING THE LIGHT ALWAYS DISCONNECT POWER TO THE LIGHT AT THE CIRCUIT BREAKER. Failure to do so could result in death or serious injury to service person, pool/spa users or others due to electric shock.**

This light must be installed by a licensed or certified electrician or a qualified pool professional in accordance with the current National Electrical Code (NEC) or the Canadian Electrical Code (CEC). All applicable local installation codes and ordinances must also be adhered to. Improper installation will create an electrical hazard which could result in death or serious injury to pool/spa users, installers or others due to electrical shock, and may also cause damage to property. Always disconnect the power to the light at the circuit breaker before servicing the light. Failure to do so could result in death or serious injury to serviceman, pool/spa users or others due to electrical shock.



**CAUTION** THIS LIGHT CANNOT BE USED ON A DIMMER CIRCUIT. USING A DIMMER SWITCH WILL RESULT IN PERMANENT DAMAGE TO THE LIGHT.

## IMPORTANT SAFETY INSTRUCTIONS

**⚠ WARNING** NEVER replace lights by splicing wire underwater or behind niche. The external flexible cable or cord of this luminaire cannot be replaced. If the cord is damaged, the luminaire shall be destroyed.

**⚠ WARNING** RISK OF ELECTRIC SHOCK AND INJURY. ONLY USE INSTALLATION METHODS SPECIFIED IN THIS GUIDE.

**⚠ WARNING** All Niche and Light installations must conform with all codes. If local codes mandate a cord seal, use Pentair plastic niches (P/N 79206600 and P/N 79206700) and Cord Seal Kit (P/N 670044).

**⚠ CAUTION** The light fixture must only be used with Pentair fixture housings (niches). If the light fixture is installed into other niches, the installation will not carry UL approval and will void all warranties.

**⚠ WARNING** Salt is an inherently corrosive material. While the levels of salt required for proper operation of a salt chlorine generator are relatively low when compared to sea water and other salt solutions, placing any amount of salt in your pool increases the likelihood of corrosion or deterioration of pool equipment and surfaces used in and around your pool. Metal parts and certain natural and man-made surfaces are particularly susceptible when used in and around salt water pools. Pentair does not represent or otherwise guarantee that the proper use of a salt chlorine generator will prevent corrosion or deterioration of pool equipment and surfaces used in and around your pool. Consult a pool professional, who should be able to advise you on the proper material selection, installation techniques for those materials, and the proper use, care and maintenance of those materials for your specific pool type and location in order to minimize the corrosion and deterioration that is inherent in and around salt water pools.

Follow these guidelines when installing, replacing or repairing Pentair luminaires:

**REPLACE ANY CRACKED PROTECTIVE SHIELD (CRACKED LENS) WITH NEW LENS AND GASKET.**

**FOR LIGHT OPERATION, ONLY USE A SAFETY ISOLATION TRANSFORMER.**

**⚠ CAUTION** Luminaires not suitable for direct mounting on normally flammable surfaces. Suitable ONLY for mounting on non-combustible surfaces.

## READ AND FOLLOW ALL INSTRUCTIONS

# INSTALLATION

## Overview

This manual describes how to install, operate and maintain IntelliBrite® Architectural Series Pool/Spa Lights.

**White Light:** White light for your pool/spa.

**Color Light:** Multiple colors and effects for your pool/spa. Choose from seven pre-programmed color light shows or five fixed colors to create dramatic lighting effects.

## Operating Lights Using a Standard Wall Switch

Lights can be manually controlled using a standard wall-mount light switch. Multiple lights can be connected, through a junction box, to a single switch allowing all lights to be switched on and off together.

IntelliBrite lights can also be automatically controlled via Pentair automation systems and light controllers. Refer to the automation system or light controller manual for wiring instructions.

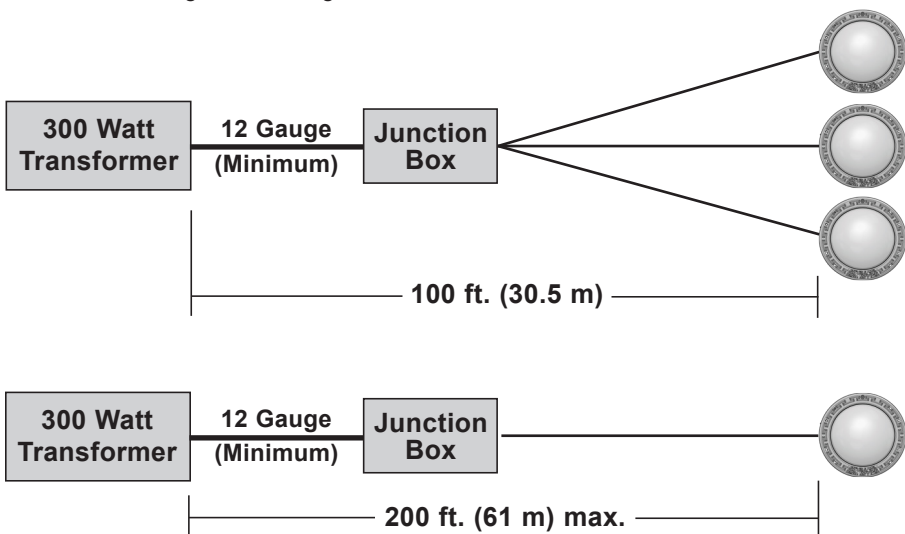
## Using an External Transformer for Multiple Lights (12V Only)

When using multiple 12 VAC lights on a **300 Watt** transformer, no more than three lights should be used.

**When operating multiple lights:** Distance between the transformer and the lights should not exceed 100 feet (30.5 m).

**When operating a single light:** Distance between the transformer and light should not exceed 200 feet (61 m).

**Note:** For longer cable lengths, set the transformer to 14 VAC.

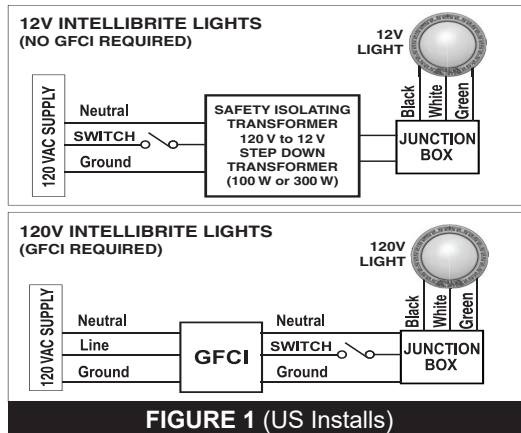


## Electrical Installation Requirements (US)



**WARNING** Ensure that the pool/spa electrical system meets the requirements of the current National Electrical Code (NEC) and all applicable local codes and ordinances. A licensed or certified electrician must install the electrical system to meet or exceed those requirements before the light is installed. Some of the requirements of the National Electrical Code that must be met are listed below.

- **120V lights MUST BE connected to a Ground Fault Circuit Interrupter (GFCI), with an appropriately rated circuit breaker.** Refer to *FIGURE 1 (US Installs)* below.
- The low-voltage transformer, and/or junction box, shall be located at least 8-inches (20.3 cm) above the maximum water level and at least four 4-inches (10.2 cm) above the ground level or pool/spa deck, whichever provides the greater elevation. Refer to *FIGURE 4 (US Installs)* on page 5.
- The junction box shall be no less than 4 feet (1.2 m) from the inside wall of the pool/spa; unless separated from the pool/spa by a solid fence, wall or other permanent barrier. Refer to *FIGURE 4 (US Installs)* on page 5.
- Bond the light fixture to all other metallic items within 5 feet (1.5 m) of the pool/spa, using a #8 AWG bond wire. The bonding lug is located at the rear of the niche. Refer to *FIGURE 4 (US Installs)* on page 5.
- If non-metallic conduit is used, a #8 AWG bonding/grounding wire must be installed through the conduit from the Junction Box to the bonding/grounding lug inside the niche. Seal the bonding/grounding connection with a proper sealant to protect the connection from potential corrosion. Refer to *FIGURE 4 (US Installs)* on page 5.
- The niche must be installed so that the top edge of the light lens, when installed, is at least 18-inches (45.7 cm) below the maximum water level. Refer to *FIGURE 4 (US Installs)* on page 5.



**Connect three wires to the corresponding circuit wires in the Junction Box.**

- **Black** to Power
- **White** to Common
- **Green** to Ground

**FOR LIGHT OPERATION, ONLY USE A SAFETY ISOLATION TRANSFORMER.**

**USE ONLY PENTAIR NICHEs TO INSURE PROPER BONDING AND GROUNDING CONNECTIONS.**

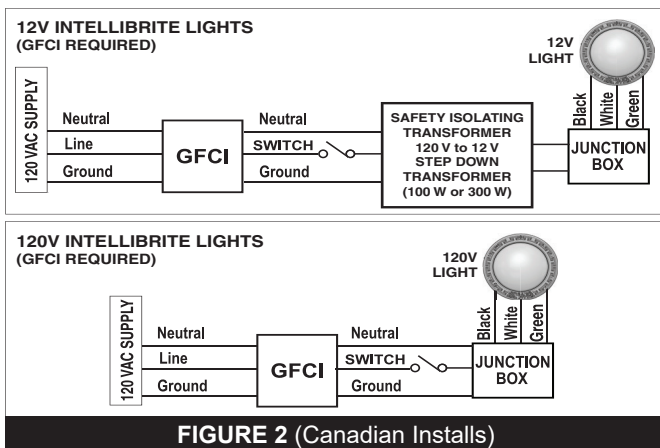
## Electrical Installation Requirements (CANADA)



**WARNING** Ensure that the pool/spa electrical system meets the requirements of the current Canadian Electrical Code (CEC) and all applicable local codes and ordinances. A licensed or certified electrician must install the electrical system to meet or exceed those requirements before the light is installed. Some of the requirements of the Canadian Electrical Code that must be met are listed below.

### REFER TO THE NEXT PAGE FOR JUNCTION BOX REQUIREMENTS FOR CANADIAN INSTALLS

- **Lights MUST BE connected to a Ground Fault Circuit Interrupter (GFCI), with an appropriately rated circuit breaker.** Refer to *FIGURE 2 (Canadian Installs)* below.
- The GFCI breaker or transformer must be located at least 3 meters (10 feet) from the edge of the pool/spa. Refer to *FIGURE 5 (Canadian Installs)* on page 5.
- Bond the light fixture to all other metallic items within 3 meters (9.8 feet) of the pool/spa, using a #6 AWG bond wire. The bonding lug is located at the rear of the niche. Refer to *FIGURE 5 (Canadian Installs)* on page 5.
- If non-metallic conduit is used, a #6 AWG bonding/grounding wire must be installed through the conduit from the Junction Box to the bonding/grounding lug inside the niche. Seal the bonding/grounding connection with a proper sealant to protect the connection from possible pool/spa water corrosion. Refer to *FIGURE 5 (Canadian Installs)* on page 5.
- The niche must be installed so that the top edge of the light lens, when installed, is at least 60 centimeters (23.6 inches) below the maximum water level. Refer to *FIGURE 5 (Canadian Installs)* on page 5.



Connect three wires to the corresponding circuit wires in the Junction Box.

- **Black** to Power
- **White** to Common
- **Green** to Ground

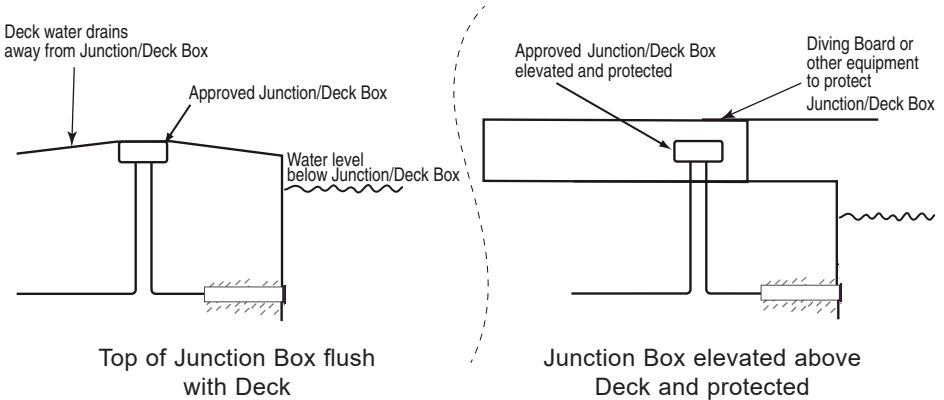
**FOR LIGHT OPERATION, ONLY USE A SAFETY ISOLATION TRANSFORMER.**

**USE ONLY PENTAIR NICHEs TO INSURE PROPER BONDING AND GROUNDING CONNECTIONS.**

## Junction Box Installation Requirements for Canadian Installs

### Junction/Deck boxes must be installed:

- above the maximum water level of the pool/spa
- so that the top of the box is located at or above the level of the pool/spa deck
- in a manner and/or location where the box will not be an obstacle
- in such a manner that any water on the deck will drain away from the box
- sealed to the conduit to prevent water entering the box

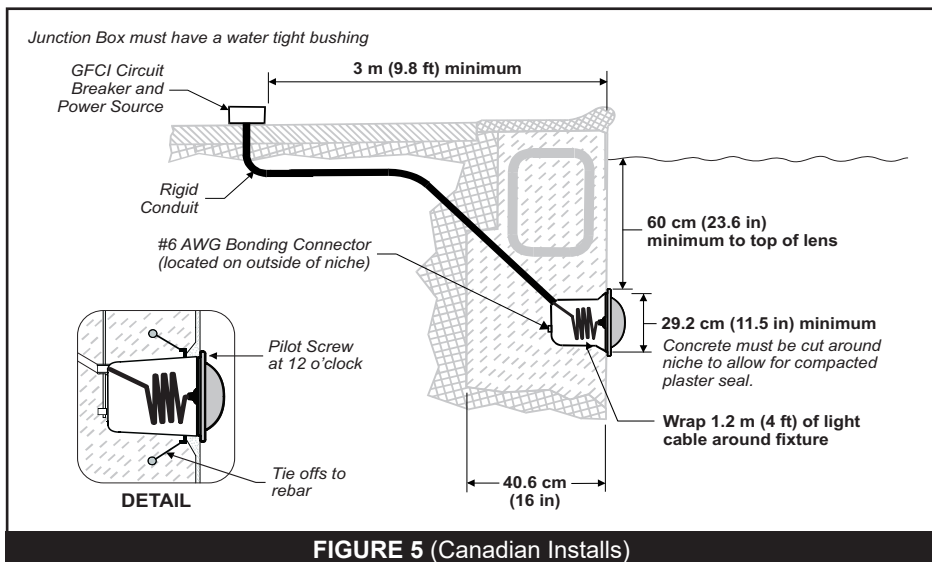
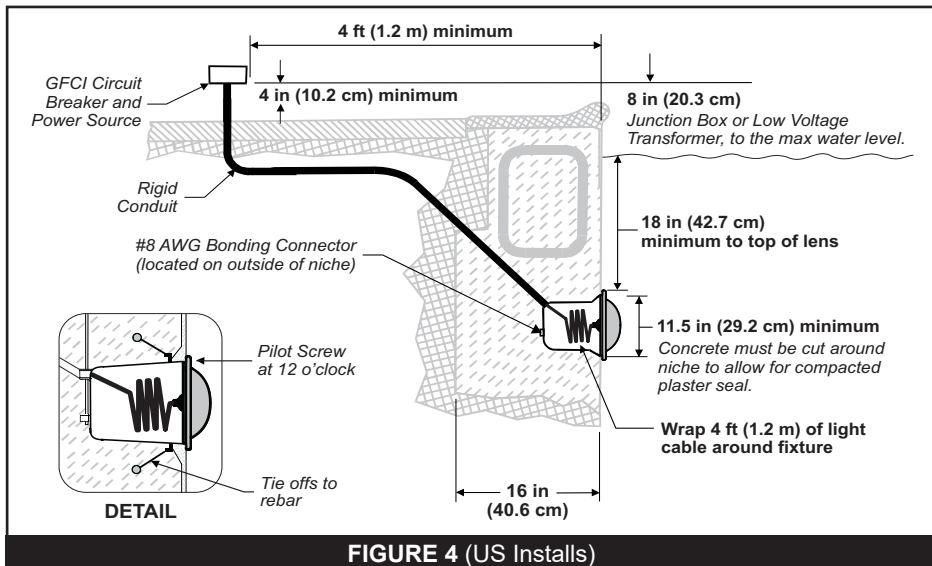


**FIGURE 3** (Canadian Installs)



## Light Assembly Installation

1. **Switch off main electrical switch or circuit breaker, and the switch which operates the light.**
2. Route light cable through conduit to Junction Box, leaving at least 4 feet (1.2 m) of cord coiled inside of the niche. This allows the light to be serviced on the deck while the pool/spa is filled with water.
3. Cut the cable at the Junction Box, leaving at least 6-inches (15.3 cm) of cord to make connections.



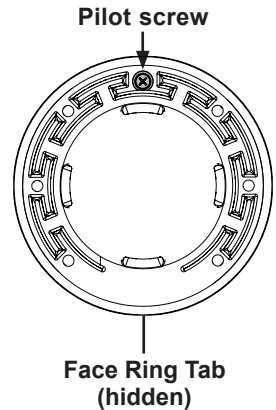
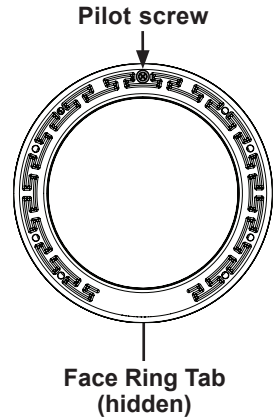
## Light Assembly Installation (cont.)

4. Carefully strip 6-inches (15.3 cm) of the outer cord jacket to expose the three insulated conductors. Be careful not to damage the insulation on the three inner conductors).
5. Carefully strip a 1/2-inch (1.3 cm) of insulation off the three conductors. Be careful not to damage the copper conductor.
6. Connect all three conductors to the corresponding circuit wires in the Junction Box
  - **Black** to Power
  - **White** to Common
  - **Green** to Ground
7. Secure the Junction Box cover in place.
8. Insert the Face Ring Tab into the slot in the bottom of the niche.
9. Tighten the pilot screw.



**WARNING** Only use the **provided pilot screw**. This screw mounts and electrically grounds the housing to the face ring and niche. Failure to use the provided screw could create an electrical hazard which could result in death or serious injury to pool/spa users, installers or others due to electrical shock.

10. Fill the pool/spa until the light is completely submerged in water before operating the light.
11. **Check for proper light operation:** To check for proper operation, switch on the main switch or circuit breaker, and the switch that operates the light itself. The light should illuminate when power is applied.



# OPERATION

## Manually Selecting a Light Show or Color

Color light can be manually controlled via a standard light switch. When the color light is switched on it will momentarily illuminate white and then transition to the previously selected color.

To manually select a color show (1-7) or fixed color (8-12), turn the switch off and on a specific number of times.

Each number (1-12) shown below corresponds to the number of times the switch must be turned off/on to activate a specific light show or fixed color.

**Example:** To select California Sunset Mode; turn the light off/on six times. During this process the light will not illuminate.

Number of times to cycle power (1-5)	1	<b>SAM Mode:</b> Cycles through white, magenta, blue and green.	Number of times to cycle power (6-14)	7	<b>Royal Mode:</b> Richer, deeper color tones.
	2	<b>Party Mode:</b> Rapid color changes, building energy and excitement.		8	<b>Blue:</b> Fixed color.
	3	<b>Romance Mode:</b> Slow color transitions creating a calming effect.		9	<b>Green:</b> Fixed color.
	4	<b>Caribbean Mode:</b> Cycles between a variety of blues and greens.		10	<b>Red:</b> Fixed color.
	5	<b>American Mode:</b> Cycles through red, white and blue.		11	<b>White:</b> Fixed color.
	6	<b>California Sunset Mode:</b> Cycles through orange, red and magenta.		12	<b>Magenta:</b> Fixed color.
				13	<b>Hold:</b> Save the current light show or fixed color.
				14	<b>Recall:</b> Activate the last saved light show or fixed color.

## Saving a Color Show or Fixed Color

When power is switched off to color lights, the last color show or fixed color will be saved. The next time the light is powered on the saved color show or fixed color will be occur.

**Example:** While in “Party Mode” switch the light off. Wait more than 10 seconds and switch the light back on to resume “Party Mode.”



**WARNING** During the off/on switching process, before the selected color is displayed, no illumination will occur for a brief time. This is normal during the switching process.

During this period precautions should be taken to avoid unforeseen accidents. Failure to observe this warning may result in serious injury or death.

**Note:** Pentair color lights can be controlled by Pentair Automation Systems and Light Controllers. Contact your pool dealer for more information.

# MAINTENANCE

## Replacing the Light Assembly

### **⚠ DANGER**



#### **RISK OF ELECTRICAL SHOCK OR ELECTROCUTION!**

This light must be installed by a licensed or certified electrician or a qualified pool professional in accordance with the National Electrical Code (NEC) and all applicable local codes and ordinances. Improper installation will create an electrical hazard which could result in death or serious injury to pool/spa users, installers or others due to electrical shock, and may also cause damage to property.

Always disconnect power to the light at the circuit breaker before servicing. Failure to do so could result in death or serious injury to service person, pool/spa users or others due to electrical shock.

### **⚠ WARNING**

Failure to bring the pool/spa electrical system up to code requirements before installing the light will create an electrical hazard which could result in death or serious injury to pool/spa users, installers, or others due to electrical shock, and may also cause damage to property.

1. Remove the brass or stainless steel pilot screw from top of face ring.
2. Remove the light assembly from the niche and place it on the deck.
3. Cut the cord about 12-inches (30.5 cm) from the back of the light assembly.
4. Remove Junction Box cover, disconnect the light fixture wires, and pull the cord through the conduit.
 

**Note:** Before pulling the cord, tape the new cord to the existing cord. This might make it easier to feed the new cord through the conduit.
5. Feed the new cord through the conduit from the niche to the Junction Box.
 

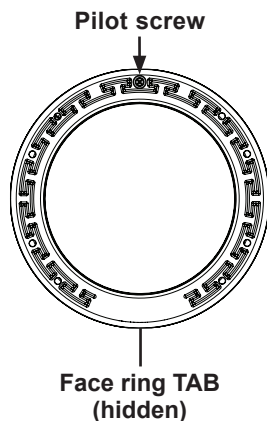
**Note:** Depending on the length of the conduit, special tools may be required to pull the cord through the conduit.
6. Leave at least 4 feet (1.2 m) of cord coiled inside of the niche. This allows the light to be serviced on the deck while the pool/spa is filled with water.
7. Cut the cord at the Junction Box, leaving at least 6-inches (1.3 cm) of cord to make the necessary connections.
8. Carefully strip 6-inches (15.2 cm) of the outer jacket from the cord to expose the three insulated conductors. Be careful not to damage the insulation on the three inner conductors.
9. Carefully strip a 1/2-inch (1.3 cm) of insulation off the three conductors. Be careful not to damage the copper conductor.
10. Connect the three light wires to the corresponding circuit wires in the Junction Box.
  - **Black** to Power
  - **White** to Common
  - **Green** to Ground

## Replacing the Light Assembly (cont.)

11. Remove the brass or stainless steel pilot screw from the top of face ring.

**⚠ WARNING** Only use the provided pilot screw. This screw mounts electrically ground the housing to the face ring and niche. Failure to use the provided screw could create an electrical hazard which could result in death or serious injury to pool users, installers or others due to electrical shock.

12. Remove the light assembly from the niche and place it on the deck.
13. Cut the cord about 12-inches (30.5 cm) from the back of the light assembly.
14. Remove Junction Box cover, disconnect the light fixture wires, and pull the cord through the conduit.



## Removing and Disassembling the Pool Light

The following removal and disassembly instructions only apply to IntelliBrite® Architectural Series Pool Lights.

For instructions on removing and disassembling a spa light, refer to *Removing and Disassembling the Spa Light*, page 15.

### **⚠ DANGER**

#### **RISK OF ELECTRICAL SHOCK OR ELECTROCUTION**

Always disconnect power to the light at the circuit breaker before servicing. Failure to do so could result in death or serious injury to installer, service person, pool/spa users, or others due to electrical shock.



### **⚠ WARNING**

Always install a new Gasket and Wire Clamp when reassembling the light. Failure to replace these components may allow water to leak into the light

which could cause:

- (a) an electrical hazard resulting in death or serious injury to pool/spa users, installers, or others due to electrical shock, or
- (b) damage to the lens, which likewise could result in serious injury to pool/spa users, installers, or bystanders, or in damage to property.

1. **Disconnect all power to the light at the circuit breaker and turn OFF the switch that operates the light itself.**

**Note:** DO NOT service the light while in the pool.

2. Before disassembling the light ensure that you have a new Gasket and Wire Clamp ready for reassembly.
3. Using a #2 Phillips screwdriver, loosen the Pilot Screw found at the top of the Face Ring.

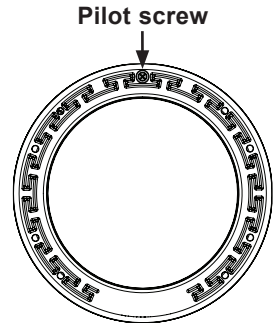
**Note:** DO NOT remove the Pilot Screw from the Face Ring.

4. Remove the light assembly from the niche and place the assembly on the pool deck.

**Note:** It is not necessary to drain the pool when removing the light.

5. Place a clean cloth on the ground.
6. Turn the light over and rest the Lens on the clean cloth.

- Continue to next page -



## Removing and Disassembling the Pool Light (cont.)

7. Using a 7/16" open-end or adjustable wrench and a #2 Phillips screwdriver, loosen the bolt tensioning the Wire Clamp.

**Note: Carefully remove the Clamp Hardware. The wire clamp will release a small amount of tension when the nut reaches the end of bolt.**

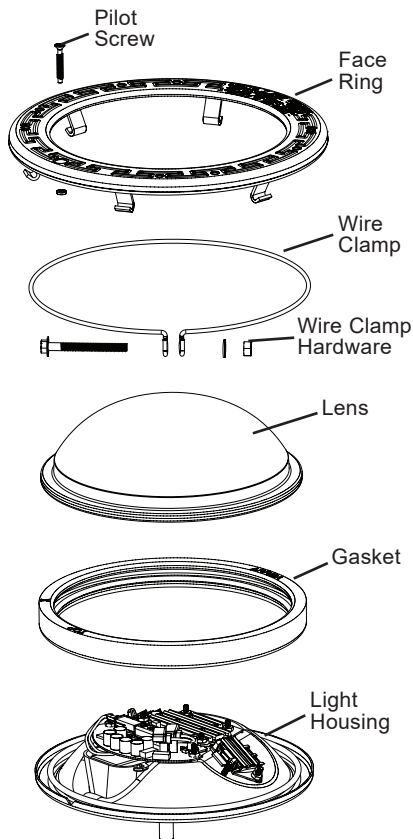
8. Discard the Wire Clamp and Wire Clamp Hardware.
9. Lift the Light Housing away from the Lens and Face Ring. Place the Light Housing aside.
10. Lift the Lens away from the Face Ring and set it aside.
11. Remove the orange Gasket from the Lens.
12. Discard the Gasket.

**Note: A NEW LENS GASKET AND WIRE CLAMP MUST BE USED EACH TIME THE LIGHT IS REASSEMBLED.** Refer to *REPLACEMENT PARTS* on page 18 for part numbers.

13. If replacing the pool light Fuse Assembly, continue to *Replacing the Fuse Assembly (12V Pool Lights Only)*, page 12.

If replacing the pool light LED Boards, continue to *Replacing the LED Boards (Pool Lights Only)*, page 13.

If reassembling the light, continue to *Reassembling the Pool Light*, page 14.



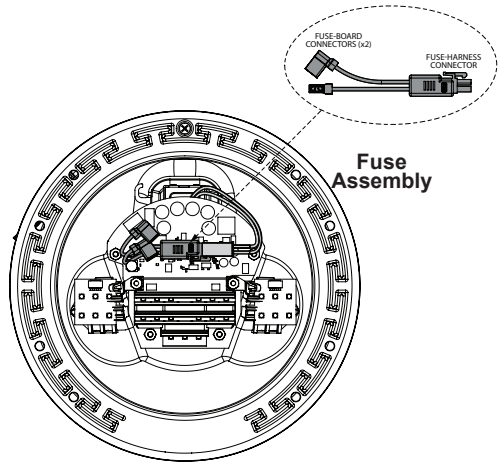
## Replacing the Fuse Assembly (12V Pool Lights Only)

Only 12V pool lights contain a replaceable fuse assembly. Spa lights and 120V pool lights do not contain a fuse assembly.

Refer to *Pool Light Replacement Parts*, page 18 for a list of replacement parts.

### REPLACING THE FUSE ASSEMBLY:

1. Carefully disconnect both Fuse-Board Flag Connectors from the light LED board.
2. Press down the release lever on the Fuse-Harness Connector and gently separate the fuse assembly from the fuse harness.
3. Plug the new Fuse-Harness Connector into the light's fuse harness until they lock together.
4. Carefully connect both Fuse-Board flag Connectors onto the LED board terminals.



**Note:** DO NOT press down too hard on the flag connectors. This may damage the board and/or board terminals.

5. Reassemble the light according to the instructions given in *Reassembling the Pool Light*, page 14.



## Replacing the LED Boards (Pool Lights Only)

Only pool lights contain replaceable LED boards. Spa light LED boards can NOT be replaced.

Refer to *Pool Light Replacement Parts*, page 18 for a list of replacement parts.

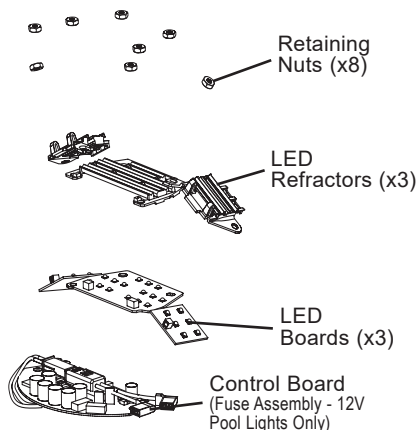


### WARNING

When replacing the LED boards, always use the same type and wattage. Operating the light with an incorrect LED board will damage the light and may cause an electrical hazard resulting in death or serious injury to pool/spa users, installers, or others due to electrical shock, and may also cause damage to property.

### REMOVING OLD LED BOARDS:

1. Locate the two wires running from the Light Housing to the middle LED Board.
2. Carefully disconnect both flag connectors from the middle LED board.
3. Using a 5/16-inch socket or nut driver, carefully remove the eight Retaining Nuts securing the LED Boards to the Light Housing.
4. Remove the plastic LED Refractor from the middle LED Board.
5. Remove all three LED Boards from the Light Housing.
6. Remove the Thermal Pad from the Light Housing.



### INSTALLING NEW LED BOARDS:

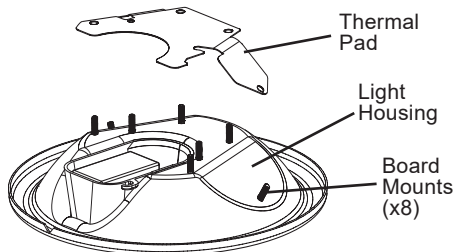
7. Place the new Thermal Pad over the Board Mounts.
8. Ensure an LED Refractor is installed on both new right and left side LED Boards.
9. Place the larger middle LED Board over the middle appropriate five Board Mounts.

**Note:** Ensure the wires running from the Light Housing are not pinched under the middle LED Board.

10. Place the middle LED Refractor onto the new middle LED Board.
11. Place both the right and left side LED Boards over the appropriate Board Mounts.
12. Using a 5/16-inch nut driver, reinstall the eight Retaining Nuts.

**Note: Overtightening the Retaining Nuts may damage the LED refractors and/or boards.**

13. If necessary, carefully reconnect both fuse assembly wires to the middle LED Board.
14. To reassemble the light, refer to *Reassembling the Pool Light* on the next page.



## Reassembling the Pool Light

The following removal and disassembly instructions only apply to IntelliBrite® Architectural Series Pool Lights. For instructions on removing and disassembling a spa light, refer to *Reassembling the Spa Light, page 17*.



**WARNING** Always install a new Gasket and Wire Clamp when reassembling the light. Failure to replace these components may allow water to leak into the light

which could cause:

- an electrical hazard resulting in death or serious injury to pool/spa users, installers, or others due to electrical shock, or
- damage to the lens, which likewise could result in serious injury to pool/spa users, installers, or bystanders, or in damage to property.

1. Ensure the black Lens O-ring is seated inside of the orange Lens Gasket.

2. Stretch the Gasket around the outer edge of the Lens, ensuring the side marked "TOP" is positioned at the intended top side of the light.

**Note:** Ensure the Lens Gasket is installed evenly around the Lens.

3. With the Light Housing resting on its base, place the Lens/Gasket onto the light housing.

4. Place the Face Ring on top of the Lens/Gasket/Housing.

5. Rotate the Face Ring until the Pilot Screw is aligned with the notch in the inner edge of the Light Housing. Refer to the image below.

6. With the hooked ends of the Wire Clamp facing away from the Lens/Housing, place the clamp into all six Face Ring Hooks on the back of the Face Ring.

**Note:** Ensure the clamp is held by all six hooks. This ensures a proper seal between the Gasket and Face Ring.

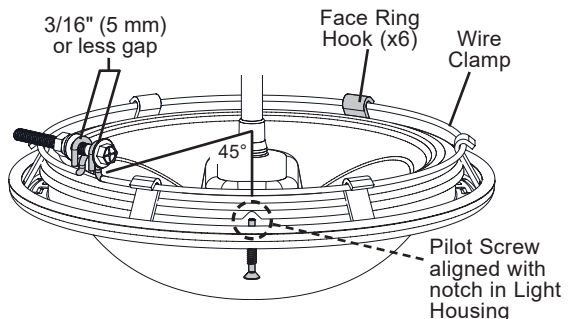
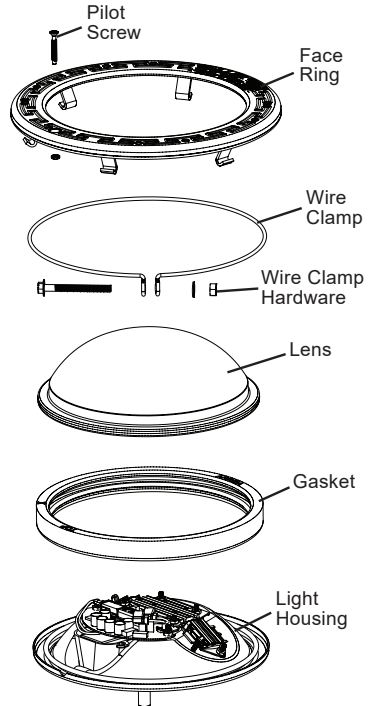
7. Ensure both ends of the Wire Clamp are positioned at a 45-degree angle to the pilot screw.

8. Place the Clamp Bolt through both ends of the Wire Clamp.

9. Thread the washer and nut onto the bolt.

10. Using a 7/16" open-end or adjustable wrench and a #3 Phillips screwdriver, tighten the clamp bolt and nut until the ends of the clamp are within 3/16-inch (5 mm) of each other.

11. Refer to *Light Assembly Installation*, page 5 for instructions on reinstalling the light.



## Removing and Disassembling the Spa Light

The following removal and disassembly instructions only apply to IntelliBrite® Architectural Series Spa Lights.

For instructions on removing and disassembling a pool light, refer to *Removing and Disassembling the Pool Light*, page 10.

### **⚠ DANGER**



### **RISK OF ELECTRICAL SHOCK OR ELECTROCUTION**

Always disconnect power to the light at the circuit breaker before servicing. Failure to do so could result in death or serious injury to installer, service person, pool/spa users, or others due to electrical shock.

### **⚠ WARNING**

Always install a new Gasket and Wire Clamp when reassembling the light. Failure to replace these components may allow water to leak into the light

which could cause:

- (a) an electrical hazard resulting in death or serious injury to pool/spa users, installers, or others due to electrical shock, or
- (b) damage to the lens, which likewise could result in serious injury to pool/spa users, installers, or bystanders, or in damage to property.

1. **Disconnect all power to the light at the circuit breaker and turn OFF the switch that operates the light itself.**

**Note:** DO NOT service the light while in the spa.

2. Before disassembling the light ensure that you have a new Gasket and Wire Clamp ready for reassembly.
3. Using a #2 Phillips screwdriver, loosen the Pilot Screw found at the top of the Face Ring.

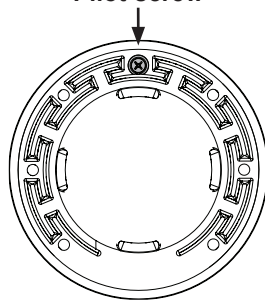
**Note:** DO NOT remove the Pilot Screw from the Face Ring.

4. Remove the light assembly from the niche and place the assembly on the spa deck.

**Note:** It is not necessary to drain the spa when removing the light.

5. Place a clean cloth on the ground.
6. Turn the light over and rest the Lens on the clean cloth.

Pilot screw



- Continue to next page -

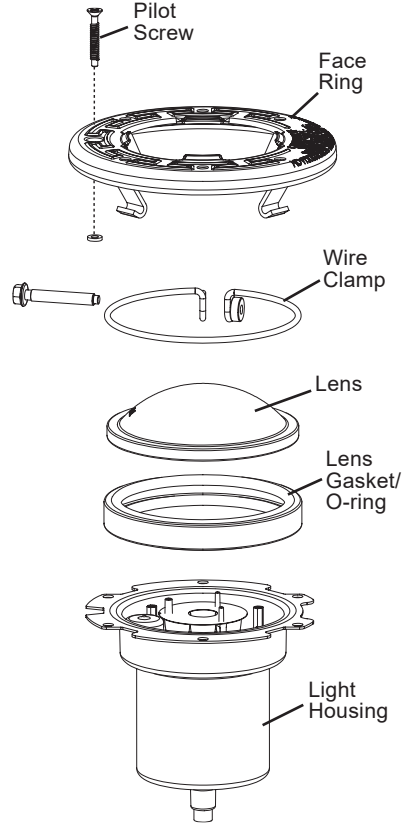
## Removing and Disassembling the Spa Light (cont.)

7. Using a 7/16" open-end or adjustable wrench and a #3 Phillips screwdriver, loosen the bolt tensioning the Wire Clamp.
- Note:** Carefully remove the Clamp Hardware. The wire clamp will release a small amount of tension when the nut reaches the end of bolt.
8. Discard the Wire Clamp and Wire Clamp Hardware.
9. Lift the Light Housing away from the Lens and Face Ring. Place the Light Housing aside.
10. Lift the Lens away from the Face Ring and set it aside.
11. Remove the Gasket from the Lens.
12. Discard the Gasket.

**Note: A NEW LENS GASKET AND WIRE CLAMP MUST BE USED EACH TIME THE LIGHT IS REASSEMBLED.**

Refer to *12V Spa Light Replacement Parts on page 20* or *120V Spa Light Replacement Parts on page 21* for part numbers.

13. To reassemble the light, continue to *Reassembling the Spa Light* on the next page.



## Reassembling the Spa Light



### WARNING

Always install a new Gasket and Wire Clamp when reassembling the light. Failure to replace these components may allow water to leak into the light

which could cause:

- an electrical hazard resulting in death or serious injury to pool/spa users, installers, or others due to electrical shock, or
- damage to the lens, which likewise could result in serious injury to pool/spa users, installers, or bystanders, or in damage to property.

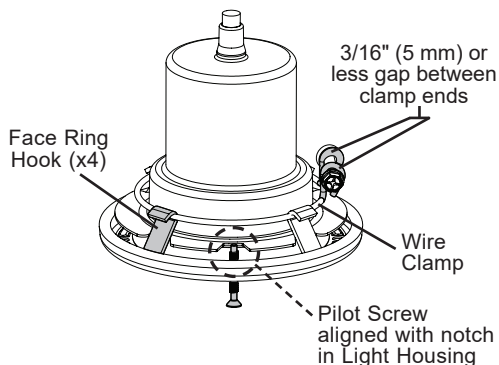
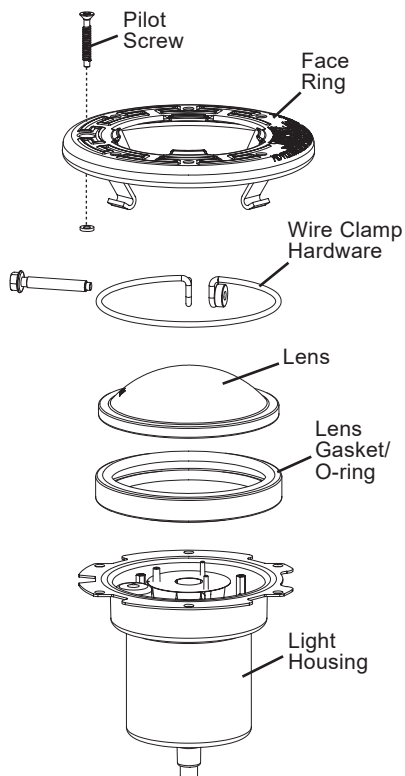
- Ensure the black Lens O-ring is seated inside of the orange Lens Gasket.
- Stretch the Gasket around the outer edge of the Lens, ensuring the side marked "TOP" is positioned at the intended top side of the light.

**Note:** Ensure the Lens Gasket is installed evenly around the Lens.

- Place the Lens/Gasket onto the Light Housing.
- Place the Face Ring on top of the Lens/Gasket/Housing.
- Rotate the Face Ring until the Pilot Screw is aligned with the notch in the inner edge of the Light Housing.
- With the hooked ends of the Wire Clamp facing away from the Lens/Housing, place the clamp into all four Face Ring Hooks on the back of the Face Ring.

**Note:** Ensure the clamp is held by all four hooks. This ensures a proper seal between the Gasket and Face Ring.

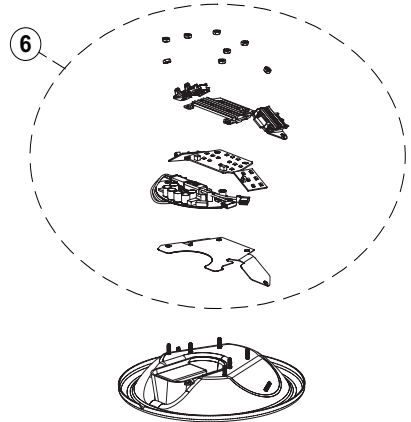
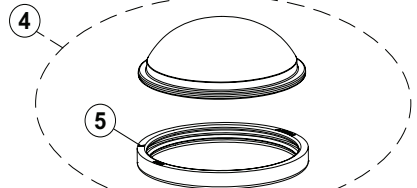
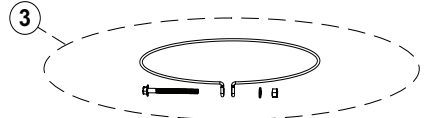
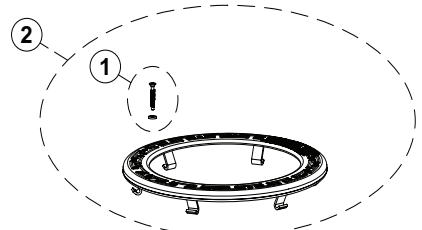
- Place the Clamp Bolt through both ends of the Wire Clamp.
- Thread the washer and nut onto the bolt.
- Using a 7/16" open-end or adjustable wrench and a #3 Phillips screwdriver, tighten the clamp bolt and nut until the ends of the clamp are within 3/16-inch (5 mm) of each other.
- Refer to *Light Assembly Installation*, page 5 for instructions on reinstalling the light.



# REPLACEMENT PARTS

## 12V Pool Light Replacement Parts

ITEM	P/N	DESCRIPTION
1	79104800z	Pilot Screw, Brass
	619355z	Pilot Screw, Stainless
2	79110600	Face Ring Kit
3	79111000	Wire Clamp Kit
4	602168	Lens Kit
5	620400z	Gasket
6	618091z	LED Board Kit, 300W White
	618090z	LED Board Kit, 500W White
	618092z	LED Board Kit, Color
	618137z	LED Board Kit, RGB/ Royal Blue
	618135z	LED Board Kit, Warm White
	618136z	LED Board Kit, Turtle
-	618085	Fuse Assembly
-	See Below	Light Assembly



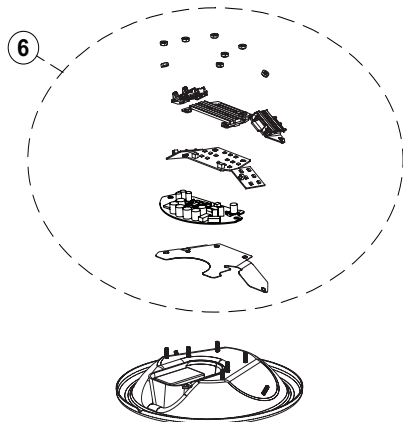
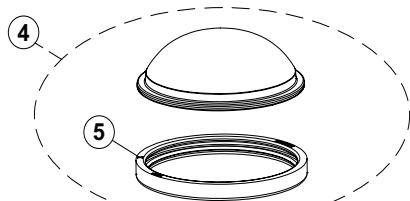
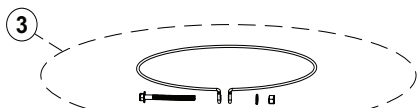
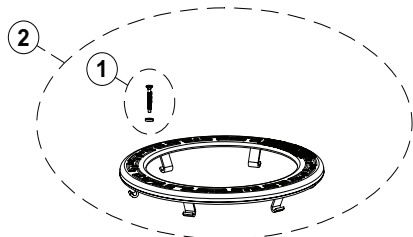
WHITE LIGHT ASSEMBLY		
MODEL	WATTS	CORD LENGTH
602143	300W	30 ft. (9.2 m)
602144		50 ft. (15.2 m)
602145		100 ft. (30.5 m)
602146		150 ft. (45.7 m)
602139	500W	30 ft. (9.2 m)
602140		50 ft. (15.2 m)
602141		100 ft. (30.5 m)
602142		150 ft. (45.7 m)

WARM WHITE / TURTLE LIGHT ASSEMBLY	
MODEL	CORD LENGTH
602147	30 ft. (9.2 m)
602148	50 ft. (15.2 m)
602149	100 ft. (30.5 m)
602150	150 ft. (45.7 m)
602236	150 ft. (45.7 m)

COLOR LIGHT ASSEMBLY	
MODEL	CORD LENGTH
602151	30 ft. (9.2 m)
602152	50 ft. (15.2 m)
602153	100 ft. (30.5 m)
602154	150 ft. (45.7 m)

## 120V Pool Light Replacement Parts

ITEM	P/N	DESCRIPTION
1	79104800z	Pilot Screw, Brass
	619355z	Pilot Screw, Stainless
2	79110600	Face Ring Kit
3	79111000	Wire Clamp Kit
4	602168	Lens Kit
5	620400z	Gasket
6	618091z	LED Board Kit, 300W White
	618090z	LED Board Kit, 500W White
	618092z	LED Board Kit, Color
	618137z	LED Board Kit, RGB/Royal Blue
	618135z	LED Board Kit, Warm White
	618136z	LED Board Kit, Turtle
-	See Below	Light Assembly



WHITE LIGHT ASSEMBLY		
MODEL	WATTS	CORD LENGTH
602181	300W	30 ft. (9.2 m)
602182		50 ft. (15.2 m)
602183		100 ft. (30.5 m)
602184		150 ft. (45.7 m)
602207		250 ft. (76.2 m)
602177	500W	30 ft. (9.2 m)
602178		50 ft. (15.2 m)
602179		100 ft. (30.5 m)
602180		150 ft. (45.7 m)
602208		250 ft. (76.2 m)

WARM WHITE / TURTLE LIGHT ASSEMBLY	
MODEL	CORD LENGTH
602189	30 ft. (9.2 m)
602190	50 ft. (15.2 m)
602191	100 ft. (30.5 m)
602192	150 ft. (45.7 m)
602221	250 ft. (76.2 m)
602223	150 ft. (45.7 m)

COLOR LIGHT ASSEMBLY	
MODEL	CORD LENGTH
602185	30 ft. (9.2 m)
602186	50 ft. (15.2 m)
602187	100 ft. (30.5 m)
602188	150 ft. (45.7 m)
602206	250 ft. (76.2 m)

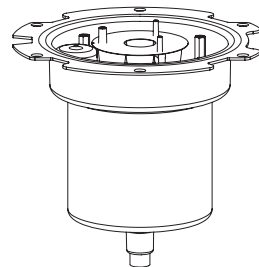
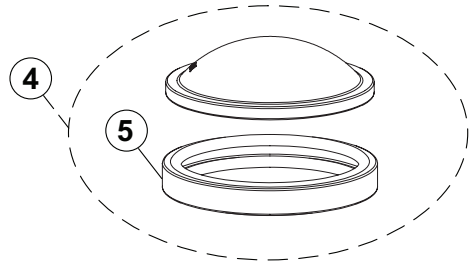
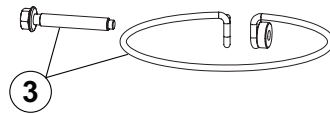
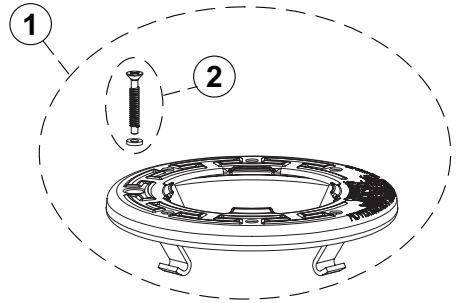
## 12V Spa Light Replacement Parts

ITEM	P/N	DESCRIPTION
1	79111600	Face Ring Kit
2	79104800z	Pilot Screw, Brass
	619355z	Pilot Screw, Stainless
3	79210400	Wire Clamp Kit
4	602176	Lens Kit
5	79108600z	Gasket Kit
-	See Below	Light Assembly

WHITE LIGHT ASSEMBLY	
MODEL	CORD LENGTH
618015	30 ft. (9.2 m)
618016	50 ft. (15.2 m)
618017	100 ft. (30.5 m)
618018	150 ft. (45.7 m)

WARM WHITE / TURTLE LIGHT ASSEMBLY	
MODEL	CORD LENGTH
602238	30 ft. (9.2 m)
602239	50 ft. (15.2 m)
602240	100 ft. (30.5 m)
602241	150 ft. (45.7 m)
602242	150 ft. (45.7 m)

COLOR LIGHT ASSEMBLY	
MODEL	CORD LENGTH
602197	30 ft. (9.2 m)
602198	50 ft. (15.2 m)
602199	100 ft. (30.5 m)
602200	150 ft. (45.7 m)
602248 (Royal Blue)	150 ft. (45.7 m)





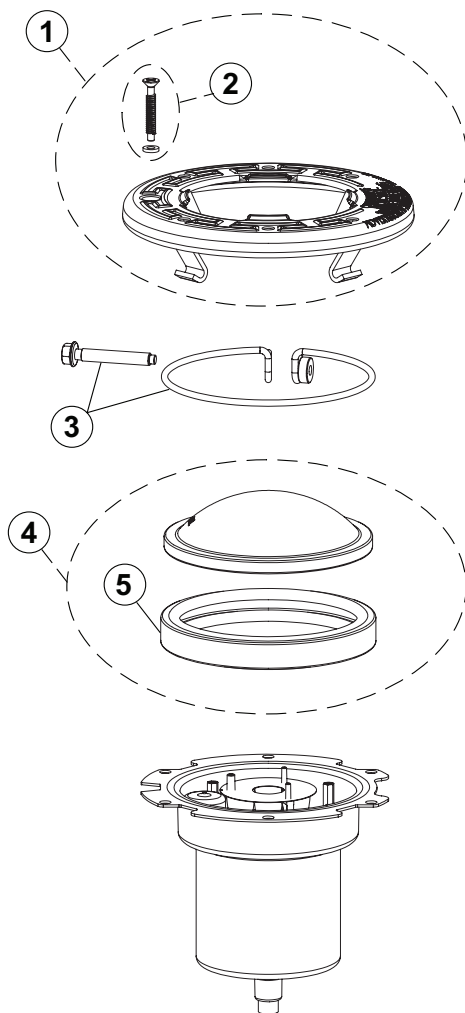
## 120V Spa Light Replacement Parts

ITEM	P/N	DESCRIPTION
1	79111600	Face Ring Kit
2	79104800z	Pilot Screw, Brass
	619355z	Pilot Screw, Stainless
3	79210400	Wire Clamp Kit
4	602176	Lens Kit
5	79108600z	Gasket Kit
-	See Below	Light Assembly

WHITE LIGHT ASSEMBLY	
MODEL	CORD LENGTH
602193	30 ft. (9.2 m)
602194	50 ft. (15.2 m)
602195	100 ft. (30.5 m)
602196	150 ft. (45.7 m)
602209	250 ft. (76.2 m)

WARM WHITE / TURTLE LIGHT ASSEMBLY	
MODEL	CORD LENGTH
602225	30 ft. (9.2 m)
602226	50 ft. (15.2 m)
602227	100 ft. (30.5 m)
602228	150 ft. (45.7 m)
602229	250 ft. (76.2 m)
602231	150 ft. (45.7 m)

COLOR LIGHT ASSEMBLY	
MODEL	CORD LENGTH
602201	30 ft. (9.2 m)
602202	50 ft. (15.2 m)
602203	100 ft. (30.5 m)
602204	150 ft. (45.7 m)
602205	250 ft. (76.2 m)
602249 (Royal Blue)	150 ft. (45.7 m)



# NOTES

---

# NOTES

---



1620 HAWKINS AVE., SANFORD, NC 27330 • (919) 566-8000  
10951 WEST LOS ANGELES AVE., MOORPARK, CA 93021 • (805) 553-5000

All indicated Pentair trademarks and logos are property of Pentair. Third party registered and unregistered trademarks and logos are the property of their respective owners.

© 2023 Pentair. All rights reserved. [WWW.PENTAIR.COM](http://WWW.PENTAIR.COM)

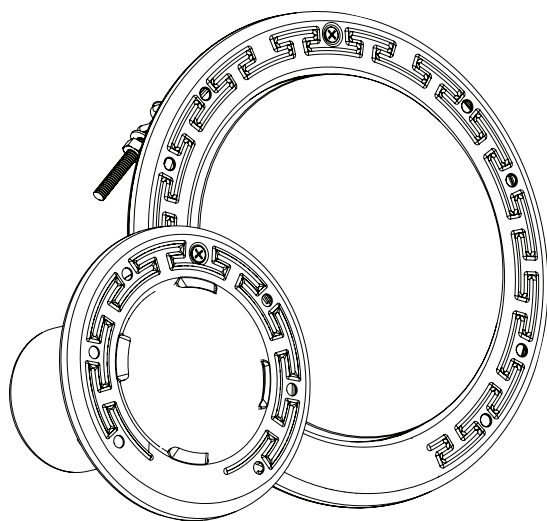


P/N 618070 REV. A 6/2/23



# INTELLIBRITE®

LUCES DE PISCINA/SPA DE LA SERIE  
ARQUITECTÓNICA



## MANUAL DE USUARIO Y DE INSTALACIÓN

INSTRUCCIONES DE SEGURIDAD IMPORTANTES  
LEA Y SIGA TODAS LAS INSTRUCCIONES  
GUARDE ESTAS INSTRUCCIONES

# ATENCIÓN AL CLIENTE Y ASISTENCIA TÉCNICA

**Horario:** De 8:00a. m. a 7:30p. m. hora del Este (5:00a. m. - 4:30p. m. hora del Pacífico)

**Teléfono:** (800) 831-7133

**Fax:** (800) 284-4151

**Web:** www.pentair.com

## ÍNDICE

<b>INSTRUCCIONES DE SEGURIDAD IMPORTANTES</b> .....	ii-iii
<b>INSTALACIÓN</b> .....	<b>1</b>
Resumen .....	1
Funcionamiento de las luces con un interruptor de pared estándar .....	1
Uso de un transformador externo para varias luces (Solo luces de 12 V) .....	1
Requisitos para la instalación eléctrica (EE. UU.) .....	2
Requisitos para la instalación eléctrica (Canadá) .....	3
Requisitos de instalación de la caja de conexiones (Canadá) .....	4
Instalación del conjunto de la luz .....	5-6
<b>FUNCIONAMIENTO</b> .....	<b>7</b>
Seleccionar manualmente una secuencia de luces o color .....	7
<b>MANTENIMIENTO</b> .....	<b>8</b>
Reemplazar el conjunto de la luz .....	8-9
Retirar y desmontar la luz de la piscina .....	10-11
Reemplazar el conjunto de fusibles (solo luces de piscina de 12 V).....	12
Reemplazar los tableros LED de la luz de la piscina (solo luces de piscina) .....	13
Montar de nuevo la luz de la piscina .....	14
Retirar y desmontar la luz del spa .....	15-16
Montar de nuevo la luz del spa .....	17
<b>PIEZAS DE REPUESTO</b> .....	<b>18</b>
Piezas de repuesto de la luz de la piscina de 12 V .....	18
Piezas de repuesto de la luz de la piscina de 120 V .....	19
Piezas de repuesto de la luz del spa de 12 V .....	20
Piezas de repuesto de la luz del spa de 120 V .....	21

# INSTRUCCIONES DE SEGURIDAD IMPORTANTES



**AVISO IMPORTANTE PARA EL INSTALADOR:** Este manual de usuario e instalación (el «Manual») contiene información importante acerca de la instalación, el funcionamiento y el uso seguro de esta luz. Este manual deberá entregarse al propietario o al operador del equipo.

**ADVERTENCIA** Antes de instalar este producto, lea todos los avisos de advertencia y siga todas las instrucciones recogidas en este Manual. No respetar las advertencias o no seguir las instrucciones puede provocar lesiones graves, la muerte o daños a la propiedad. Llame al (800) 831-7133 para recibir copias adicionales gratuitas de estas instrucciones. Visite [www.pentair.com](http://www.pentair.com) para acceder a más información relacionada con este producto.

**Lea la siguiente información antes de instalar las luminarias:**

**ADVERTENCIA** **Instale siempre un conjunto de abrazadera nuevo y una junta de lente nueva** al volver a montar el conjunto de la luz. De lo contrario, es posible que se filtre agua hacia el interior del conjunto, lo cual podría causar: (a) descargas eléctricas que podrían provocar lesiones graves o incluso la muerte de los usuarios de la piscina/spa, el instalador u otras personas; o (b) rotura de la lámpara o la lente, lo que también podría provocar daños materiales o lesiones graves de los usuarios de la piscina/spa, el instalador o cualquier persona situada en las inmediaciones.

**PELIGRO** **NO INSTALAR O NO USAR CORRECTAMENTE ESTA LUZ PUEDE OCASIONAR LESIONES FÍSICAS GRAVES O INCLUSO LA MUERTE.**

**PELIGRO** **LOS INSTALADORES, OPERADORES Y PROPIETARIOS DE PISCINAS/SPAS DEBEN LEER ESTAS ADVERTENCIAS Y SEGUIR TODAS LAS INSTRUCCIONES ANTES DE USAR LA LUZ.**

**ADVERTENCIA** La mayoría de los códigos estatales y locales residenciales regulan la construcción, la instalación y la operación de piscinas y spas públicos, así como la construcción de piscinas y spas residenciales. Es importante respetar dichos códigos, muchos de los cuales regulan de forma directa la instalación y el uso de este producto. Consulte los códigos locales en materia de construcción y salud para obtener más información.

**PELIGRO** **RIESGO DE DESCARGA ELÉCTRICA O ELECTROCUCIÓN: ESTA LUZ FUNCIONA CON ALTO VOLTAJE, LO QUE PUEDE PROVOCAR DESCARGAS, QUEMADURAS E INCLUSO CAUSAR LA MUERTE.**



**ANTES DE REALIZAR CUALQUIER TAREA DE MANTENIMIENTO EN LA LUZ, DESCONECTE SIEMPRE EL SUMINISTRO ELÉCTRICO DE ESTA DESDE EL**

**INTERRUPTOR.** De lo contrario, el personal de mantenimiento, los usuarios de la piscina/spa u otras personas podrían sufrir una descarga eléctrica que podría causar lesiones graves o incluso la muerte.

La instalación de esta luz debe estar a cargo de un electricista o profesional acreditado para efectuar tareas de mantenimiento en piscinas de conformidad con el Código Eléctrico Nacional de EE. UU. (NEC) o el Código Eléctrico de Canadá (CÉC). También se deben cumplir todos los códigos y ordenanzas locales pertinentes en materia de instalación. Una instalación inadecuada puede provocar descargas eléctricas que podrían causar daños materiales, lesiones graves o incluso la muerte a los usuarios de la piscina/spa, los instaladores y otras personas. Corte siempre el suministro eléctrico de la luz desde el interruptor antes de realizar tareas de mantenimiento. De lo contrario, el personal de mantenimiento, los usuarios de la piscina/spa u otras personas podrían sufrir descargas eléctricas que pueden causar lesiones graves o incluso la muerte.

**PRECAUCIÓN** **ESTA LUZ NO ES COMPATIBLE CON CIRCUITOS DE ATENUACIÓN. UTILIZAR UN INTERRUPTOR ATENUADOR PUEDE CAUSAR DAÑOS PERMANENTES EN LA LUZ.**

## INSTRUCCIONES DE SEGURIDAD IMPORTANTES

**⚠️ ADVERTENCIA** **NUNCA** reemplace las luces empalmando cables debajo del agua o por detrás del nicho. **El cable flexible externo de esta luminaria no se puede reemplazar. Si el cable se deteriora, se deberá desechar la luminaria al completo.**

**⚠️ ADVERTENCIA** **RIESGO DE DESCARGAS ELÉCTRICAS Y LESIONES. UTILICE EXCLUSIVAMENTE LOS MÉTODOS DE INSTALACIÓN ESPECIFICADOS EN ESTE MANUAL.**

**⚠️ ADVERTENCIA** La instalación del nicho y la luz debe cumplir con la normativa vigente. En caso de que los códigos locales exijan el uso de un sellador para cables, utilice los nichos de plástico de Pentair (Ref. 79206600 y Ref. 79206700) y el kit de sellado para cables (Ref. 670044).

**⚠️ PRECAUCIÓN** El aplique de luz debe utilizarse exclusivamente con las carcasas para apliques de Pentair (nichos). Si el aplique de luz se instala en otros nichos, la instalación carecerá de la aprobación UL y anulará cualquier garantía.

**⚠️ ADVERTENCIA** La sal es un material inherentemente corrosivo. Tenga en cuenta que, aunque los niveles de sal necesarios para el correcto funcionamiento del clorador de sal son relativamente bajos en comparación con el agua marina u otras soluciones salinas, añadir cualquier cantidad de sal a la piscina aumenta las probabilidades de corrosión o deterioro del equipo y las superficies del interior y los alrededores de la piscina. Las piezas metálicas y algunas superficies de materiales naturales y artificiales son especialmente susceptibles a sufrir daños si se usan en el interior y los alrededores de una piscina de agua salada. Pentair no declara ni garantiza que el uso adecuado del clorador de sal evitará la corrosión o el deterioro del equipo y las superficies del interior y los alrededores de la piscina. Se recomienda consultar con un especialista en piscinas para obtener asesoramiento sobre la selección adecuada de materiales, las técnicas de instalación para tales materiales y el uso, cuidado y mantenimiento de estos para su tipo de piscina particular, así como su ubicación, a fin de minimizar la corrosión y el deterioro inherentes al interior y los alrededores de las piscinas de agua salada.

**Siga estas instrucciones para instalar, reemplazar o reparar las luminarias de Pentair:**

**REEMPLACE CUALQUIER EQUIPO PROTECTOR RESQUEBRAJADO (LENTE) POR UNA LENTE Y UNA JUNTA NUEVAS.**

**PARA EL FUNCIONAMIENTO DE LA LUZ, UTILICE EXCLUSIVAMENTE UN TRANSFORMADOR DE AISLAMIENTO DE SEGURIDAD.**

**⚠️ PRECAUCIÓN** Las luminarias no pueden montarse directamente sobre superficies inflamables. El montaje de las luminarias **SOLO** es compatible con superficies no combustibles.

## LEA Y SIGA TODAS LAS INSTRUCCIONES



# INSTALACIÓN

## Resumen

Este manual contiene instrucciones para la instalación, el funcionamiento y el mantenimiento de las luces de piscina/spa de la serie arquitectónica IntelliBrite®.

**Luz blanca:** Luz blanca para piscina/spa.

**Luz de colores:** Diferentes colores y efectos para piscina/spa. Puede escoger entre siete secuencias de luces de colores previamente programadas o cinco colores fijos para crear diferentes efectos de iluminación.

## Funcionamiento de las luces con un interruptor de pared estándar

Las luces se pueden controlar con un interruptor de pared estándar. Se pueden conectar varias luces a un único interruptor con la caja de conexiones. De esta forma, todas las luces se encienden y se apagan al mismo tiempo.

Las luces IntelliBrite también se pueden controlar automáticamente a través de los sistemas de automatización y los controladores de luces de Pentair. Consulte el manual del sistema de automatización o del controlador de luces para las instrucciones del cableado.

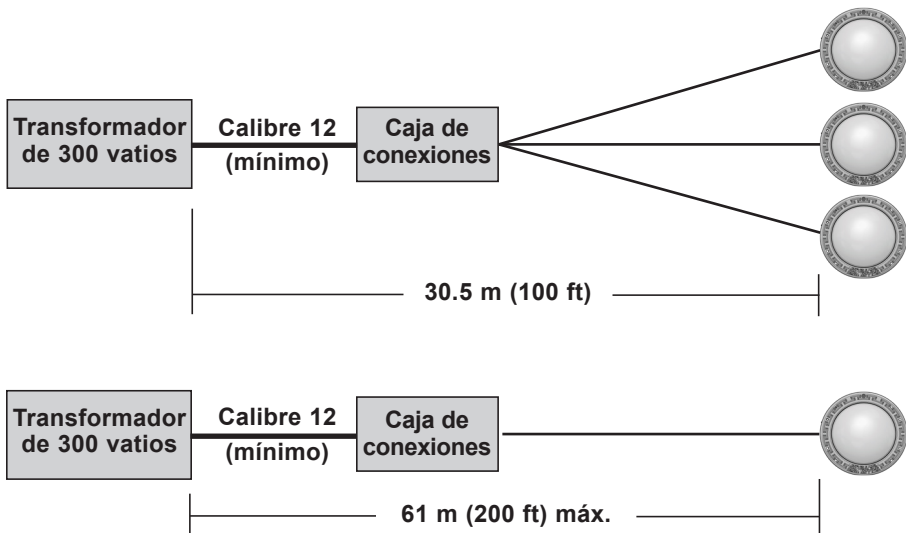
## Uso de un transformador externo para varias luces (solo 12 V).

Si conecta varias luces de 12 VCA a un transformador de **300 vatios**, no utilice más de tres luces.

**Al poner en funcionamiento varias luces:** La distancia entre el transformador y las luces no debe exceder los 30.5 m (100 ft).

**Al poner en funcionamiento una única luz:** La distancia entre el transformador y la luz no debe exceder los 61 m (200 ft).

**Nota:** Si desea utilizar una longitud de cable mayor, configura el transformador en 14 VCA.

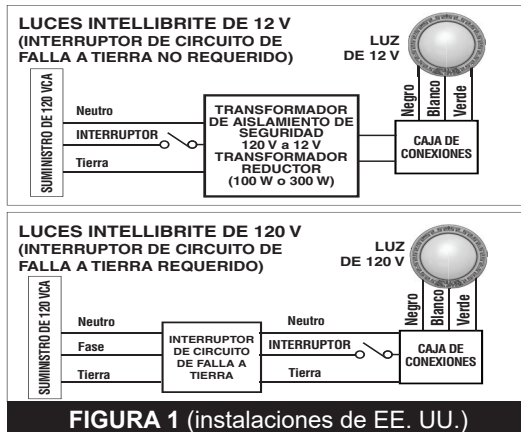


## Requisitos para la instalación eléctrica (EE. UU)



**ADVERTENCIA** Asegúrese de que el sistema eléctrico de la piscina/spa cumple con los requisitos del actual Código Eléctrico Nacional de EE. UU. (NEC), así como con todos los códigos y ordenanzas locales aplicables. El sistema eléctrico deberá ser instalado por un electricista o instalador autorizado para cumplir o superar los requisitos antes de instalar la luz. A continuación, se enumeran algunos de los requisitos del Código Eléctrico Nacional de EE. UU. que deben cumplirse.

- **Las luces de 120 V DEBEN CONECTARSE a un interruptor de circuito de falla a tierra (GFCI) con un interruptor diferencial con la capacidad adecuada.** Véase la FIGURA 1 (instalaciones de EE. UU.) a continuación.
- El transformador de bajo voltaje y/o la caja de conexiones deberán situarse a al menos 20.3 cm (8 pulgadas) sobre el nivel máximo del agua, y a al menos 10.2 cm (4 pulgadas) sobre el nivel del suelo o el borde de la piscina/spa, lo que proporcione una mayor elevación. Véase la FIGURA 4 (instalaciones de EE. UU.) en la página 5.
- La caja de conexiones deberá situarse a al menos 1.2 m (4 pies) de la pared interior de la piscina/spa, a menos que esté separada por una cerca robusta, un muro o cualquier otra barrera permanente. Véase la FIGURA 4 (instalaciones de EE. UU.) en la página 5.
- Una el aplique de luz a los demás elementos metálicos situados a un máximo de 1.5 m (5 pies) de la piscina/spa con un cable de empalme 8 AWG. El terminal de empalme está situado en la parte trasera del nicho. Véase la FIGURA 4 (instalaciones de EE. UU.) en la página 5.
- Si se utiliza un conducto no metálico, se deberá instalar un cable de empalme/ conexión a tierra de 8 AWG a través del conducto desde la caja de conexiones hacia el terminal de empalme/conexión a tierra en el interior del nicho. Selle la conexión de empalme/tierra con un sellador adecuado para protegerla de la posible corrosión. Véase la FIGURA 4 (instalaciones de EE. UU.) en la página 5.
- El nicho debe instalarse de forma que el borde superior de la lente de la luz quede al menos 45.7 cm (18 pulgadas) sobre el nivel máximo de agua. Véase la FIGURA 4 (instalaciones de EE. UU.) en la página 5.



**FIGURA 1 (instalaciones de EE. UU.)**

Conecte tres cables a los cables de circuito correspondientes en la caja de conexiones.

- Negro a fase
- Blanco a neutro
- Verde a tierra

**PARA EL FUNCIONAMIENTO DE LA LUZ, UTILICE EXCLUSIVAMENTE UN TRANSFORMADOR DE AISLAMIENTO DE SEGURIDAD.**

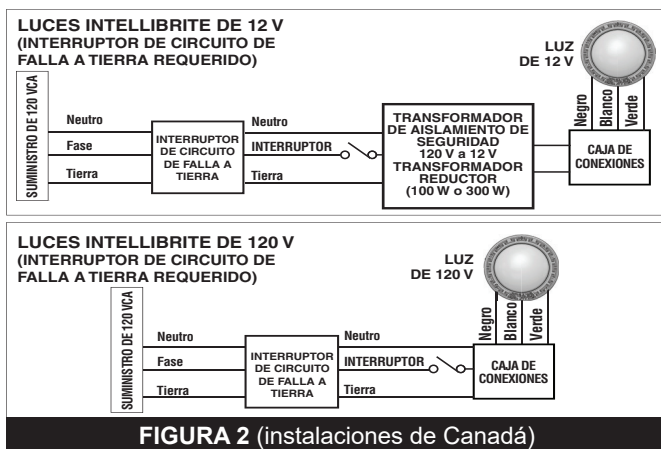
**UTILICE EXCLUSIVAMENTE LOS NICHOS PENTAIR PARA GARANTIZAR UNA ADECUADA CONEXIÓN DE EMPALME Y A TIERRA.**

## Requisitos para la instalación eléctrica (CANADÁ)

**ADVERTENCIA** Asegúrese de que el sistema eléctrico de la piscina/spa cumple con los requisitos del actual Código Eléctrico Canadiense (CEC), así como con todos los códigos y ordenanzas locales aplicables. El sistema eléctrico deberá ser instalado por un electricista o instalador autorizado para cumplir o superar los requisitos antes de instalar la luz. A continuación, se enumeran algunos de los requisitos del Código Eléctrico Nacional de Canadá que deben cumplirse.

### VÉASE LA PÁGINA SIGUIENTE PARA OBTENER INFORMACIÓN SOBRE LOS REQUISITOS DE LA CAJA DE CONEXIONES EN INSTALACIONES CANADIENSES.

- Las luces **DEBEN CONECTARSE a un interruptor de circuito de falla a tierra (GFCI) con un interruptor diferencial con la capacidad adecuada.** Véase la FIGURA 2 (instalaciones de Canadá) a continuación.
- El transformador o interruptor del circuito de falla a tierra debe situarse a al menos 3 m (10 pies) del borde de la piscina/spa. Véase la FIGURA 5 (instalaciones de Canadá) en la página 5.
- Una el aplique de luz a los demás elementos metálicos situados a un máximo de 3 m (9.8 pies) de la piscina/spa con un cable de empalme de 6 AWG. El terminal de empalme está situado en la parte trasera del nicho. Véase la FIGURA 5 (instalaciones de Canadá) en la página 5.
- Si se utiliza un conducto no metálico, se deberá instalar un cable de empalme/ conexión a tierra de 6 AWG a través del conducto desde la caja de conexiones hacia el terminal de empalme/conexión a tierra en el interior del nicho. Selle la conexión de empalme/tierra con un sellador adecuado para protegerla de la posible corrosión causada por el agua de la piscina/spa. Véase la FIGURA 5 (instalaciones de Canadá) en la página 5.
- El nicho debe instalarse de forma que el borde superior de la lente de la luz quede a al menos 60 cm (23.6 pulgadas) sobre el nivel máximo del agua. Véase la FIGURA 5 (instalaciones de Canadá) en la página 5.



Conecte tres cables a los cables de circuito correspondientes en la caja de conexiones.

- Negro a fase
- Blanco a neutro
- Verde a tierra

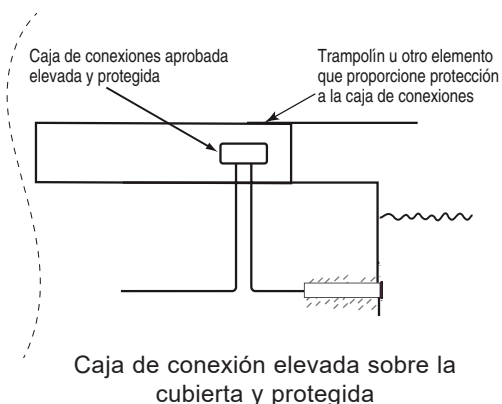
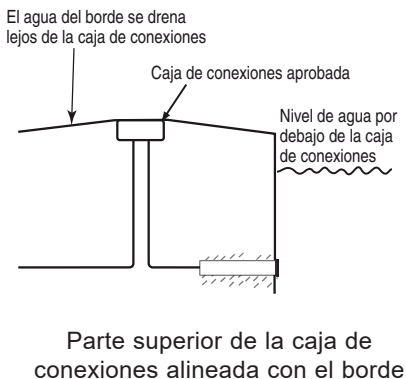
**PARA EL FUNCIONAMIENTO DE LA LUZ, UTILICE EXCLUSIVAMENTE UN TRANSFORMADOR DE AISLAMIENTO DE SEGURIDAD.**

**UTILICE EXCLUSIVAMENTE LOS NICHOS PENTAIR PARA GARANTIZAR UNA ADECUADA CONEXIÓN DE EMPALME Y A TIERRA.**

## Requisitos de instalación para la caja de conexiones (Canadá)

### Las cajas de conexiones deben instalarse:

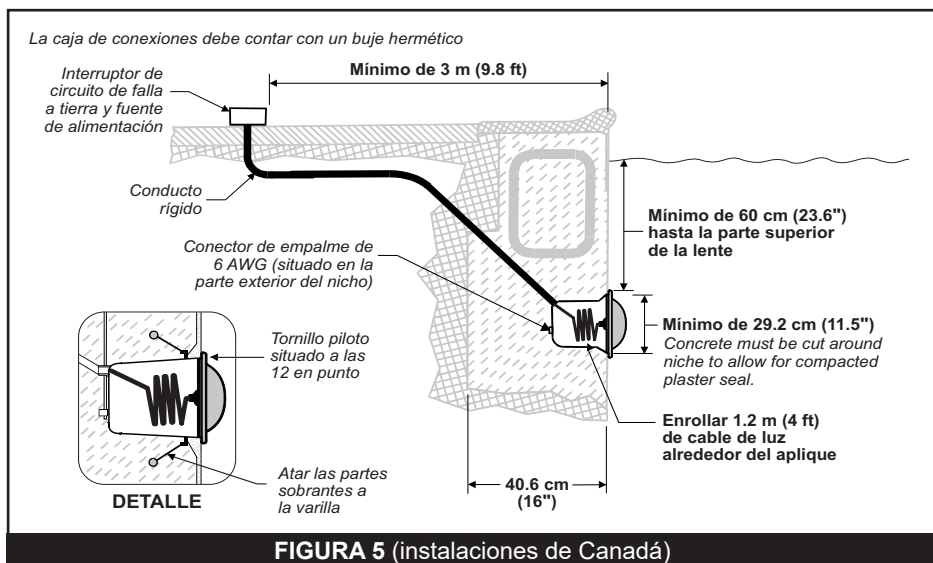
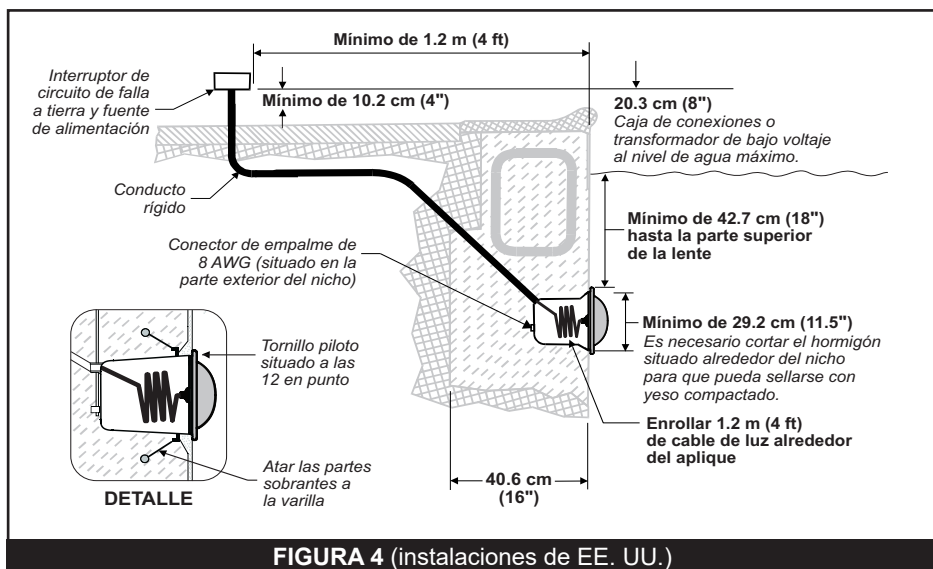
- sobre el nivel máximo de agua de la piscina/spa;
- de forma que la caja quede situada al nivel o sobre el nivel del borde de la piscina/spa;
- de tal manera y/o en una ubicación en la que la caja no suponga un obstáculo;
- de tal manera que el agua del borde se drene lejos de la caja;
- sellando el conducto para evitar que el agua acceda al interior de la caja.



**FIGURA 3** (instalaciones de Canadá)

## Instalación del conjunto de la luz

1. **Desconecte el interruptor eléctrico principal o el disyuntor, así como el interruptor de la luz.**
2. Dirija el cable de la luz a través del conducto hacia la caja de conexiones y deje al menos 1.2 m de cable enrollado en el interior del nicho. Esto permitirá efectuar tareas de mantenimiento en la luz sobre el borde con la piscina/spa lleno de agua.
3. Corte el cable de la caja de conexiones y deje al menos 15.3 cm de cable para realizar las conexiones.



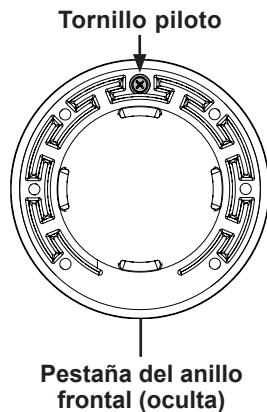
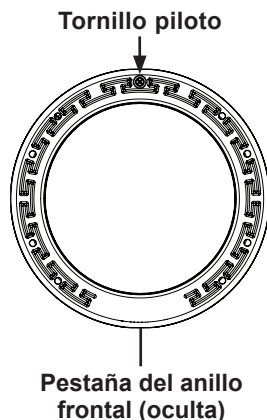
## Instalación del conjunto de la luz (cont.)

4. Pele cuidadosamente 15.3 cm (6") del revestimiento exterior del cable para que los tres conductores aislados queden expuestos. Tenga cuidado de no dañar el aislante de los tres conductores internos.
5. Pele cuidadosamente 1.3 cm (1/2") del aislante de los tres conductores. Tenga cuidado de no dañar el conductor de cobre.
6. Conecte los tres conductores a los cables de circuito correspondientes en la caja de conexiones.
  - **Negro** a fase
  - **Blanco** a neutro
  - **Verde** a tierra
7. Coloque la cubierta de la caja de conexiones en su sitio.
8. Inserte la pestaña del anillo frontal en la ranura situada en la parte inferior del nicho.
9. Apriete el tornillo piloto.

### **ADVERTENCIA**

Utilice exclusivamente el **tornillo piloto proporcionado**. Este tornillo une la carcasa con el anillo frontal y el nicho y establece una conexión a tierra entre ellos. No utilizar el tornillo proporcionado puede provocar descargas eléctricas que podrían causar lesiones graves o incluso la muerte a los usuarios de la piscina/spa, los instaladores u otras personas.

10. Llene la piscina/spa hasta que la luz quede totalmente sumergida en el agua antes de ponerla en funcionamiento.
11. **Comprobar que la luz funciona correctamente:** Para comprobar que el funcionamiento es correcto, encienda el interruptor principal o el interruptor de circuito, así como el interruptor de la luz. La luz debería iluminarse al suministrarle corriente.





# MANTENIMIENTO

## Reemplazar el conjunto de la luz

### PELIGRO



#### RIESGO DE DESCARGA ELÉCTRICA O ELECTROCUCIÓN:

Esta luz debe ser instalada por un electricista o especialista en piscinas acreditado de conformidad con el Código Eléctrico Nacional de EE. UU. (NEC) y todos los códigos y ordenanzas locales aplicables. Una instalación inadecuada puede provocar descargas eléctricas que podrían causar daños materiales, lesiones graves o incluso la muerte a los usuarios de la piscina/spa, los instaladores y otras personas.

Desconecte siempre el suministro eléctrico de la luz desde el interruptor antes de realizar cualquier tarea de mantenimiento. De lo contrario, el personal de mantenimiento, los usuarios de la piscina/spa u otras personas podrían sufrir una descarga eléctrica que puede causar lesiones graves o incluso la muerte.

### ADVERTENCIA

No mantener el sistema eléctrico de la piscina/spa de acuerdo con los requisitos normativos puede provocar descargas eléctricas que podrían causar daños materiales y lesiones graves o incluso la muerte a los usuarios de la piscina/spa, los instaladores y otras personas.

1. Retire el tornillo piloto de latón o acero inoxidable de la parte superior del anillo frontal.
2. Retire el conjunto de la luz del nicho y colóquelo sobre el borde.
3. Corte el cable unos 30.5 cm (12") desde la parte trasera del conjunto de la luz.
4. Retire la cubierta de la caja de conexiones, desconecte los cables del aplique de luz y tire del cable a través del conducto.
 

**Nota:** Antes de tirar del cable, pegue el cable nuevo al cable existente con cinta adhesiva para que le resulte más fácil dirigir el cable nuevo a través del conducto.
5. Dirija el cable nuevo a través del conducto desde el nicho hasta la caja de conexiones.
 

**Nota:** En función de la longitud del conducto, es posible que se requieran herramientas especiales para pasar el cable por el conducto.
6. Deje al menos 1.2 m (4 ft) de cable enrollado en el interior del nicho. Esto permitirá efectuar tareas de mantenimiento en la luz sobre la cubierta con la piscina/spa lleno de agua.
7. Corte el cable de la caja de conexiones y deje al menos 1.3 cm (6") de cable para realizar las conexiones necesarias.
8. Pele cuidadosamente 15.2 cm (5") del revestimiento exterior del cable para que los tres conductores aislados queden expuestos. Tenga cuidado de no dañar el aislante de los tres conductores internos.
9. Pele cuidadosamente 1.3 cm (1/2") del aislante de los tres conductores. Tenga cuidado de no dañar el conductor de cobre.
10. Conecte los tres cables de luz a los cables de circuito correspondientes en la caja de conexiones.
  - **Negro** a fase
  - **Blanco** a neutro
  - **Verde** a tierra

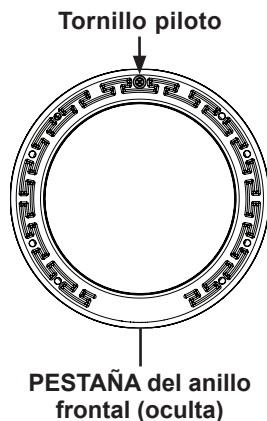


## Reemplazar el conjunto de la luz (cont.)

11. Retire el tornillo piloto de latón o acero inoxidable de la parte superior del anillo frontal.

**ADVERTENCIA** Utilice exclusivamente el tornillo piloto proporcionado. Este tornillo une la carcasa con el anillo frontal y el nicho y establece una conexión a tierra entre ellos. No utilizar el tornillo proporcionado puede provocar descargas eléctricas que podrían causar lesiones graves o incluso la muerte a los usuarios de la piscina, los instaladores u otras personas.

12. Retire el conjunto de la luz del nicho y colóquelo sobre el borde.
13. Corte el cable unos 30.5 cm (12") desde la parte trasera del conjunto de la luz.
14. Retire la cubierta de la caja de conexiones, desconecte los cables del aplique de luz y tire del cable a través del conducto.



## Retirar y desmontar la luz de la piscina

Las siguientes instrucciones de retirada y desmontaje solo se aplican a las luces de piscina de la serie arquitectónica IntelliBrite®.

Para consultar las instrucciones de retirada y desmontaje de las luces del spa, véase *Retirar y desmontar la luz del spa*, página 15.

### PELIGRO



### RIESGO DE DESCARGA ELÉCTRICA O ELECTROCUCIÓN

Desconecte siempre el suministro eléctrico de la luz desde el interruptor antes de realizar cualquier tarea de mantenimiento. De lo contrario, el instalador, el personal de mantenimiento, los usuarios de la piscina/spa u otras personas podrían sufrir una descarga eléctrica que puede causar lesiones graves o incluso la muerte.

### ADVERTENCIA

Instale siempre una junta y una abrazadera nuevas al montar de nuevo la luz. No reemplazar estos componentes puede causar filtraciones de agua en la luz que pueden dar lugar a:

- descargas eléctricas que pueden provocar lesiones graves o incluso la muerte de los usuarios de la piscina/spa, los instaladores u otras personas; o
- daños en la lente que pueden provocar daños materiales o lesiones graves de los usuarios de la piscina/spa, los instaladores o cualquier persona que se encuentre en las inmediaciones.

1. **Desconecte la luz de la corriente desde el interruptor de circuito y apague el interruptor que suministra corriente a la luz.**

**Nota:** No realice tareas de mantenimiento en la luz mientras esté en la piscina.

2. Antes de desmontar la luz, asegúrese de que dispone de una junta y una abrazadera nuevas para volver a montarla.
3. Con un destornillador Phillips del 2, afloje el tornillo situado en la parte superior del anillo frontal.

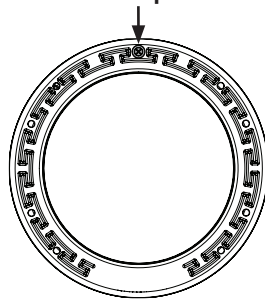
**Nota:** NO retire el tornillo piloto del anillo frontal.

4. Retire el conjunto de la luz del nicho y colóquelo sobre el borde de la piscina.

**Nota:** No es necesario drenar la piscina para retirar la luz.

5. Coloque un paño limpio en el suelo.
6. Encienda la luz y coloque la lente sobre el paño limpio.

Tornillo piloto



- Continúa en la página siguiente -

## Retirar y desmontar la luz de la piscina (cont.)

7. Con una llave fija o inglesa de 7/16" y un destornillador Phillips del 2, afloje el tornillo que sujeta la abrazadera.

**Nota: Retire cuidadosamente el material de sujeción de la abrazadera. La abrazadera liberará una pequeña cantidad de tensión cuando la tuerca llegue al final del tornillo.**

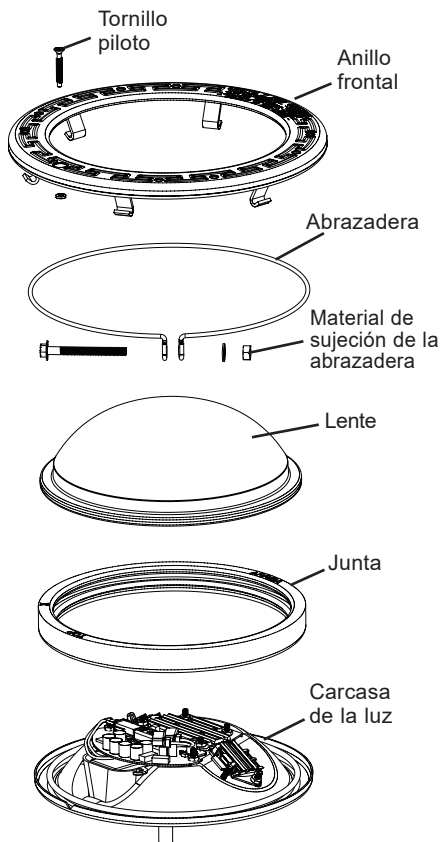
8. Deseche la abrazadera y el material de sujeción de esta.
9. Separe la carcasa de la luz de la lente y el anillo frontal. Deje la carcasa de la luz a un lado.
10. Separe la lente del anillo frontal y apártela.
11. Retire la junta naranja de la lente.
12. Deseche la junta.

**Nota: ES NECESARIO UTILIZAR UNA JUNTA DE LENTE Y UNA ABRAZADERA NUEVAS CADA VEZ QUE SE VUELVE A MONTAR LA LUZ.** Véase PIEZAS DE REPUESTO en la página 18 para consultar los números de las piezas.

13. Para obtener información sobre cómo reemplazar el conjunto de fusibles de la luz de la piscina, véase *Reemplazar el conjunto de fusibles (solo luces de piscina de 12 V)*, página 12.

Para obtener información sobre cómo reemplazar los tableros LED de la luz de la piscina, véase *Reemplazar los tableros LED (solo luces de piscina)*, página 13.

Para obtener información sobre cómo volver a montar la luz, véase *Montar de nuevo la luz de la piscina*, página 14.



## Reemplazar el conjunto de fusibles (solo luces de piscina de 12 V)

Solo las luces de piscina de 12 V contienen un conjunto de fusibles reemplazable. Las luces de spa y las luces de piscina de 120 V no contienen un conjunto de fusibles.

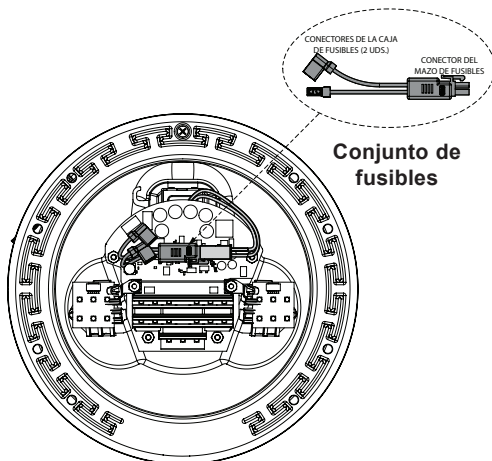
Véase *Piezas de repuesto de la luz de la piscina de 12 V, página 18* para consultar la lista de piezas de repuesto.

### REEMPLAZAR EL CONJUNTO DE FUSIBLES:

1. Desconecte cuidadosamente los dos conectores de señal de la caja de fusibles desde el tablero LED de la luz.
2. Pulse la palanca de desbloqueo del conector del mazo de fusibles y separe con cuidado el conjunto de fusibles del mazo.
3. Enchufe el nuevo conector en el mazo de fusibles de la luz hasta que queden encajados.
4. Enchufe cuidadosamente los dos conectores de señal de la caja de fusibles en los terminales del tablero LED.

**Nota:** NO presione demasiado los conectores de señal. De lo contrario, el tablero y/o los terminales del tablero podrían dañarse.

5. Para volver a montar la luz, siga las instrucciones que se proporcionan en *Montar de nuevo la luz de la piscina, página 14*.



## Reemplazar los tableros LED (solo luces de piscina)

Solo las luces de piscina contienen tableros LED reemplazables. Los tableros LED de la luz del spa NO son reemplazables.

Véase *Piezas de repuesto de la luz de la piscina*, página 18 para consultar la lista de piezas de repuesto.



### ADVERTENCIA

Al reemplazar los tableros LED, utilice siempre el mismo tipo y vataje. Operar la luz con un tablero LED inadecuado puede dañar la luz y provocar descargas eléctricas que podrían causar daños materiales y lesiones graves o incluso la muerte a los usuarios de la piscina/spa, los instaladores y otras personas.

### RETIRAR LOS TABLEROS LED EXISTENTES:

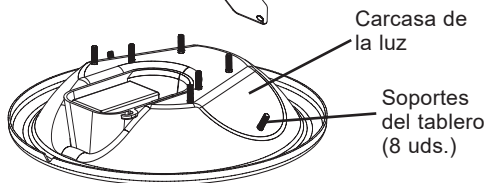
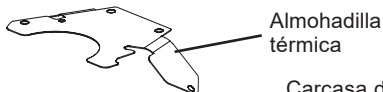
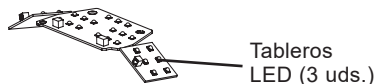
1. Localice los dos cables que conectan la carcasa de la luz con el tablero LED central.
2. Desconecte cuidadosamente los dos conectores de señal del tablero LED central.
3. Con una llave de vaso de 8 mm, retire cuidadosamente las ocho tuercas de fijación que unen los tableros LED con la carcasa de la luz.
4. Retire el refractor LED de plástico situado en el tablero LED central.
5. Retire los tres tableros LED de la carcasa de la luz.
6. Retire la almohadilla térmica de la carcasa de la luz.

### INSTALAR LOS NUEVOS TABLEROS LED:

7. Coloque la nueva almohadilla térmica sobre los soportes del tablero.
8. Asegúrese de instalar un refractor LED en los nuevos tableros LED derecho e izquierdo.
9. Coloque el tablero LED central de mayor tamaño sobre los cinco soportes centrales correspondientes del tablero.
 

**Nota:** Asegúrese de que los cables conectados a la carcasa de la luz no quedan atrapados debajo del tablero LED central.
10. Coloque el refractor LED central sobre el nuevo tablero LED central.
11. Coloque los tableros LED derecho e izquierdo sobre los soportes correspondientes del tablero.
12. Con una llave de vaso de 8 mm, vuelva a colocar las ocho tuercas de fijación.
 

**Nota:** Si se aprietan demasiado las tuercas de fijación, es posible que se dañen los refractores y/o los tableros LED.
13. En caso necesario, vuelva a conectar cuidadosamente los cables del conjunto de fusibles al tablero LED central.
14. Para obtener información sobre cómo volver a montar la luz, véase *Montar de nuevo la luz de la piscina* en la siguiente página.



## Montar de nuevo la luz de la piscina

Las siguientes instrucciones de retirada y desmontaje solo se aplican a las luces de piscina de la serie arquitectónica IntelliBrite®. Para consultar las instrucciones de retirada y desmontaje de las luces del spa, véase *Montar de nuevo la luz del spa, página 17*.



### ADVERTENCIA

Instale siempre una junta y una abrazadera nuevas al montar de nuevo la luz. No reemplazar estos componentes puede causar filtraciones de agua en la luz que pueden dar lugar a:

- descargas eléctricas que pueden provocar lesiones graves o incluso la muerte de los usuarios de la piscina/spa, los instaladores u otras personas; o
- daños en la lente que pueden provocar daños materiales o lesiones graves de los usuarios de la piscina/spa, los instaladores o cualquier persona que se encuentre en las inmediaciones.

- Asegúrese de que la junta tórica negra de la lente se encuentra en el interior de la junta de lente naranja.
- Estire la junta alrededor del borde exterior de la lente y asegúrese de que el lado marcado como TOP queda posicionado en el lado superior de la luz.

**Nota:** Asegúrese de que la junta de la lente queda instalada de manera uniforme alrededor de la lente.

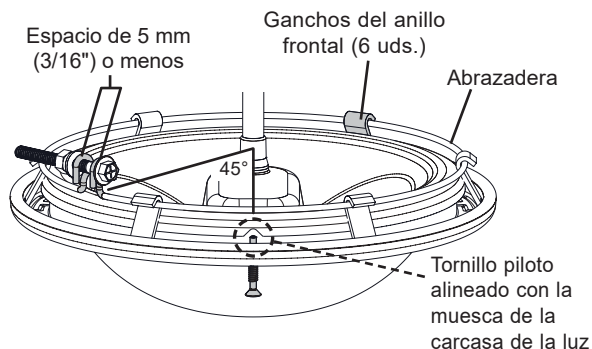
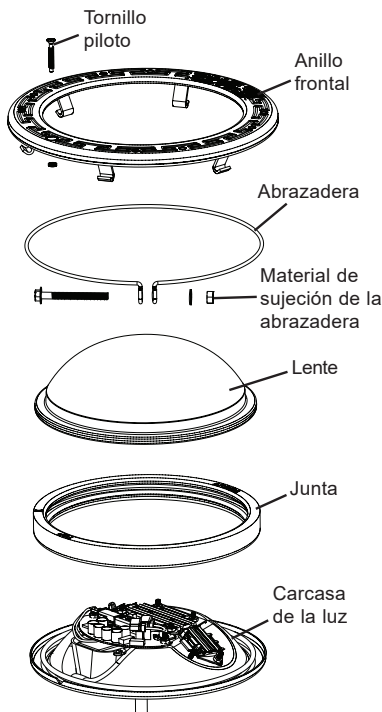
- Coloque la carcasa de la luz sobre su base y coloque la lente/junta sobre ella.
- Coloque el anillo frontal sobre la lente/junta/carcasa.
- Gire el anillo frontal hasta que el tornillo piloto quede alineado con la muesca del borde interno de la carcasa de la luz. Véase la imagen a continuación.

- Con los extremos en forma de gancho de la abrazadera orientados hacia el lado opuesto de la lente/carcasa, coloque la abrazadera en el interior de los seis ganchos del anillo frontal situados en la parte trasera de este.

**Nota:** Asegúrese de que la abrazadera queda fijada por los seis ganchos. Esto garantizará que la junta y el anillo frontal queden correctamente sellados.

- Asegúrese de que ambos extremos de la abrazadera tienen una posición de 45 grados respecto al tornillo piloto.
- Pase el tornillo de la abrazadera por los extremos de esta.
- Enrosque la arandela y la tuerca en el tornillo.
- Con una llave fija o inglesa de 11 mm (7/16") y un destornillador Phillips del 3, apriete el tornillo y la tuerca de la abrazadera hasta que los extremos estén situados a 5 mm (3/16") entre sí.

- Véase *Instalación del conjunto de la luz, página 5* para obtener información sobre cómo volver a instalar la luz.



## Retirar y desmontar la luz del spa

Las siguientes instrucciones de retirada y desmontaje solo se aplican a las luces de spa de la serie arquitectónica IntelliBrite®.

Para consultar las instrucciones de retirada y desmontaje de las luces de la piscina, véase *Retirar y desmontar la luz de la piscina*, página 10.

### ⚠ PELIGRO



### RIESGO DE DESCARGA ELÉCTRICA O ELECTROCUCIÓN

Desconecte siempre el suministro eléctrico de la luz desde el interruptor antes de realizar cualquier tarea de mantenimiento. De lo contrario, el instalador, el personal de mantenimiento, los usuarios de la piscina/spa u otras personas podrían sufrir una descarga eléctrica que puede causar lesiones graves o incluso la muerte.

### ⚠ ADVERTENCIA

Instale siempre una junta y una abrazadera nuevas al montar de nuevo la luz. No reemplazar estos componentes puede causar filtraciones de agua en la luz que pueden dar lugar a:

- descargas eléctricas que pueden provocar lesiones graves o incluso la muerte de los usuarios de la piscina/spa, los instaladores u otras personas; o
- daños en la lente que pueden provocar daños materiales o lesiones graves de los usuarios de la piscina/spa, los instaladores o cualquier persona que se encuentre en las inmediaciones.

- Desconecte la luz de la corriente desde el interruptor de circuito y apague el interruptor que suministra corriente a la luz.**

**Nota:** No realice tareas de mantenimiento en la luz mientras esté en el spa.

- Antes de desmontar la luz, asegúrese de que dispone de una junta y una abrazadera nuevas para volver a montarla.
- Con un destornillador Phillips del 2, afloje el tornillo piloto situado en la parte superior del anillo frontal.

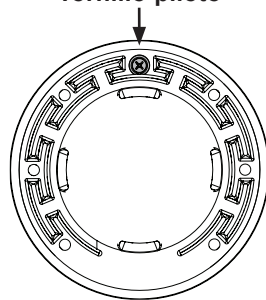
**Nota:** NO retire el tornillo piloto del anillo frontal.

- Retire el conjunto de la luz del nicho y colóquelo sobre el borde del spa.

**Nota:** No es necesario drenar el spa para retirar la luz.

- Coloque un paño limpio en el suelo.
- Encienda la luz y coloque la lente sobre el paño limpio.

Tornillo piloto



- Continúa en la página siguiente -

## Retirar y desmontar la luz del spa (cont.)

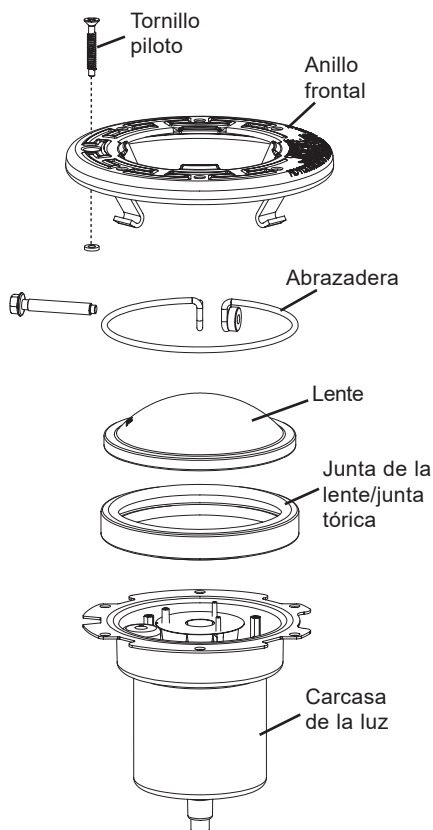
7. Con una llave fija o inglesa de 7/16" y un destornillador Phillips del 3, afloje el tornillo que sujeta la abrazadera.

**Nota:** Retire cuidadosamente el material de sujeción de la abrazadera. La abrazadera liberará una pequeña cantidad de tensión cuando la tuerca llegue al final del tornillo.

8. Deseche la abrazadera y el material de sujeción de esta.
9. Separe la carcasa de la luz de la lente y el anillo frontal. Deje la carcasa de la luz a un lado.
10. Separe la lente del anillo frontal y apártela.
11. Retire la junta de la lente.
12. Deseche la junta.

**Nota: ES NECESARIO UTILIZAR UNA JUNTA DE LENTE Y UNA ABRAZADERA NUEVAS CADA VEZ QUE SE VUELVE A MONTAR LA LUZ.** Véase *Piezas de repuesto de la luz del spa de 12 V en la página 20* o *Piezas de repuesto de la luz del spa de 120 V en la página 21* para consultar los números de las piezas.

13. Para obtener información sobre cómo volver a montar la luz, véase *Montar de nuevo la luz del spa* en la siguiente página.





## Montar de nuevo la luz del spa

**ADVERTENCIA** Instale siempre una junta y una abrazadera nuevas al montar de nuevo la luz. No reemplazar estos componentes puede causar filtraciones de agua en la luz que pueden dar lugar a:

- descargas eléctricas que pueden provocar lesiones graves o incluso la muerte de los usuarios de la piscina/spa, los instaladores u otras personas; o
- daños en la lente que pueden provocar daños materiales o lesiones graves de los usuarios de la piscina/spa, los instaladores o cualquier persona que se encuentre en las inmediaciones.

- Asegúrese de que la junta tórica negra de la lente se encuentra en el interior de la junta de lente naranja.
- Estire la junta alrededor del borde exterior de la lente y asegúrese de que el lado marcado como TOP queda posicionado en el lado superior de la luz.

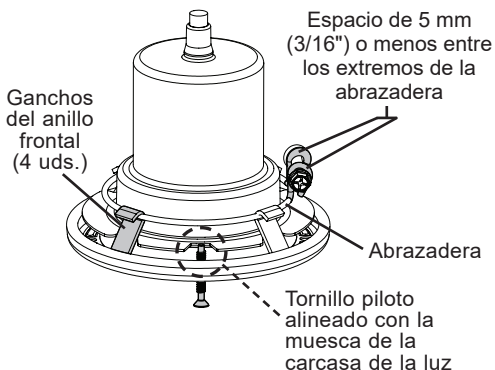
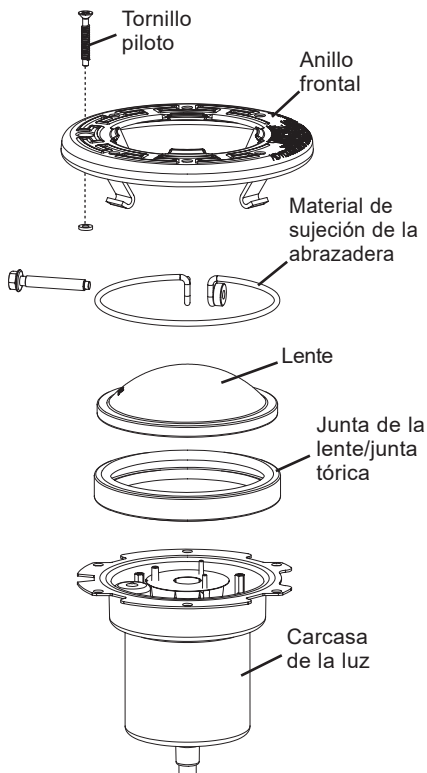
**Nota:** Asegúrese de que la junta de la lente queda instalada de manera uniforme alrededor de la lente.

- Coloque la lente/junta sobre la carcasa de la luz.
- Coloque el anillo frontal sobre la lente/junta/carcasa.
- Gire el anillo frontal hasta que el tornillo piloto quede alineado con la muesca del borde interno de la carcasa de la luz.
- Con los extremos en forma de gancho de la abrazadera orientados hacia el lado opuesto de la lente/carcasa, coloque la abrazadera en el interior de los cuatro ganchos del anillo frontal situados en la parte trasera de este.

**Nota:** Asegúrese de que la abrazadera queda fijada por los cuatro ganchos. Esto garantizará que la junta y el anillo frontal queden correctamente sellados.

- Pase el tornillo de la abrazadera por los extremos de esta.
- Enrosque la arandela y la tuerca en el tornillo.
- Con una llave fija o inglesa de 11 mm (7/16") y un destornillador Phillips del 3, apriete el tornillo y la tuerca de la abrazadera hasta que los extremos estén situados a 5 mm (3/16") entre sí.

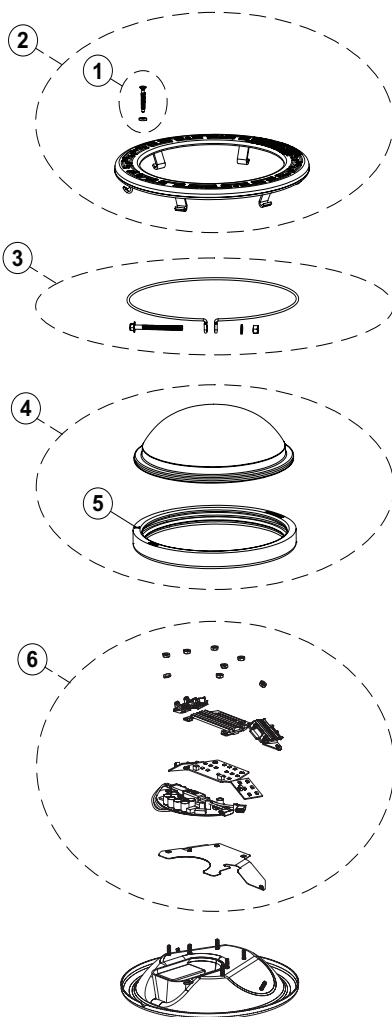
- Véase *Instalación del conjunto de la luz*, página 5 para obtener información sobre cómo volver a instalar la luz.



# PIEZAS DE REPUESTO

## Piezas de repuesto de la luz de la piscina de 12 V

ARTÍCULO	REF.	DESCRIPCIÓN
1	79104800z	Tornillo piloto, latón
	619355z	Tornillo piloto, acero inoxidable
2	79110600	Conjunto del anillo frontal
3	79111000	Conjunto de la abrazadera
4	602168	Conjunto de la lente
5	620400z	Junta
6	618091z	Conjunto del tablero LED, 300 W, blanco
	618090z	Conjunto del tablero LED, 500 W, blanco
	618092z	Conjunto del tablero LED, color
	618137z	Conjunto del tablero LED, RGB/azul real
	618135z	Conjunto del tablero LED, blanco cálido
618136z	Conjunto del tablero LED, tortuga	
-	618085	Conjunto de fusibles
-	Consúltense a continuación	Conjunto de la luz



### CONJUNTO DE LUZ BLANCA

MODELO	VATIOS	LONGITUD DEL CABLE
602143	300 W	9.2 m (30 ft)
602144		15.2 m (50 ft)
602145		30.5 m (100 ft)
602146		45.7 m (150 ft.)
602139	500 W	9.2 m (30 ft.)
602140		15.2 m (50 ft.)
602141		30.5 m (100 ft.)
602142		45.7 m (150 ft.)

### CONJUNTO DE LUZ BLANCA CÁLIDO/TORTUGA

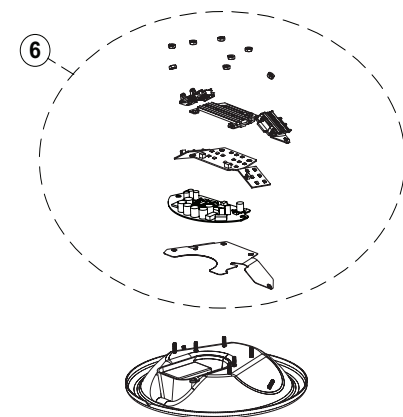
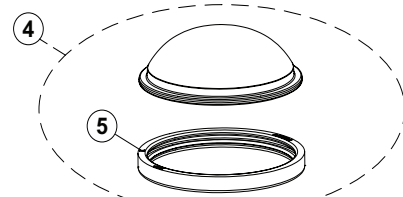
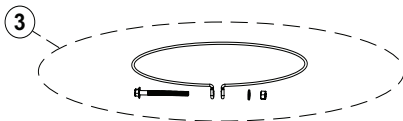
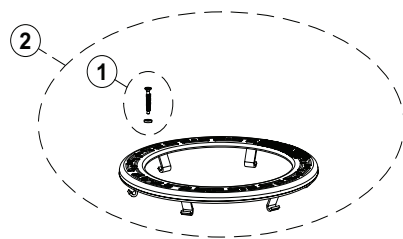
MODELO	LONGITUD DEL CABLE
602147	9.2 m (30 ft.)
602148	15.2 m (50 ft.)
602149	30.5 m (100 ft.)
602150	45.7 m (150 ft.)
602236	45.7 m (150 ft.)

### CONJUNTO DE LUZ DE COLORES

MODELO	LONGITUD DEL CABLE
602151	9.2 m (30 ft)
602152	15.2 m (50 ft)
602153	30.5 m (100 ft)
602154	45.7 m (150 ft.)

## Piezas de repuesto de la luz de la piscina de 120 V

ARTÍCULO	REF.	DESCRIPCIÓN
1	79104800z	Tornillo piloto, latón
	619355z	Tornillo piloto, acero inoxidable
2	79110600	Conjunto del anillo frontal
3	79111000	Conjunto de la abrazadera
4	602168	Conjunto de la lente
5	620400z	Junta
6	618091z	Conjunto del tablero LED, 300 W, blanco
	618090z	Conjunto del tablero LED, 500 W, blanco
	618092z	Conjunto del tablero LED, color
	618137z	Conjunto del tablero LED, RGB/azul real
	618135z	Conjunto del tablero LED, blanco cálido
	618136z	Conjunto del tablero LED, tortuga
-	Consúltese a continuación	Conjunto de la luz



CONJUNTO DE LUZ BLANCA		
MODELO	VATIOS	LONGITUD DEL CABLE
602181	300 W	9.2 m (30 ft)
602182		15.2 m (50 ft)
602183		30.5 m (100 ft)
602184		45.7 m (150 ft.)
602207		76.2 m (250 ft.)
602177	500 W	9.2 m (30 ft)
602178		15.2 m (50 ft)
602179		30.5 m (100 ft)
602180		45.7 m (150 ft.)
602208		76.2 m (250 ft.)

CONJUNTO DE LUZ BLANCO CÁLIDO/TORTUGA	
MODELO	LONGITUD DEL CABLE
602189	9.2 m (30 ft)
602190	15.2 m (50 ft)
602191	30.5 m (100 ft)
602192	45.7 m (150 ft.)
602221	76.2 m (250 ft.)
602223	45.7 m (150 ft.)

CONJUNTO DE LUZ DE COLORES	
MODELO	LONGITUD DEL CABLE
602185	9.2 m (30 ft)
602186	15.2 m (50 ft)
602187	30.5 m (100 ft)
602188	45.7 m (150 ft.)
602206	76.2 m (250 ft.)

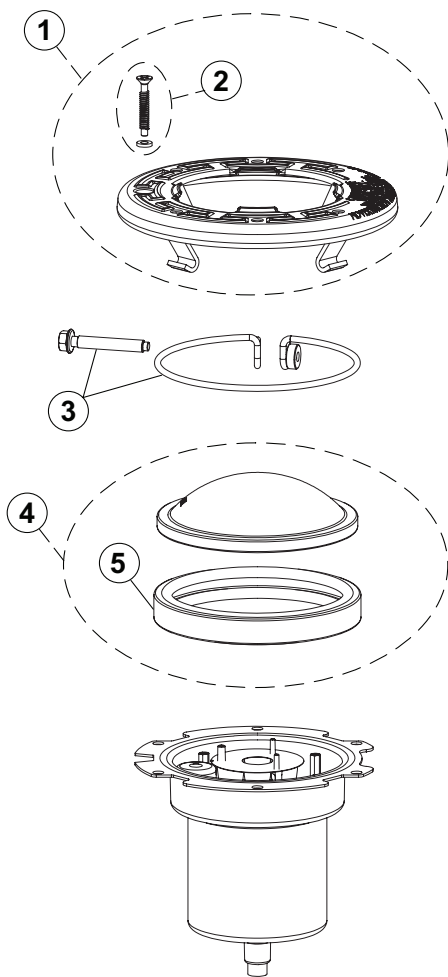
## Piezas de repuesto de la luz del spa de 12 V

ARTÍCULO	REF.	DESCRIPCIÓN
1	79111600	Conjunto del anillo frontal
2	79104800z	Tornillo piloto, latón
	619355z	Tornillo piloto, acero inoxidable
3	79210400	Conjunto de la abrazadera
4	602176	Conjunto de la lente
5	79108600z	Kit de juntas
-	Consúltese a continuación	Conjunto de la luz

CONJUNTO DE LUZ BLANCA	
MODELO	LONGITUD DEL CABLE
618015	9.2 m (30 ft.)
618016	15.2 m (50 ft.)
618017	30.5 m (100 ft.)
618018	45.7 m (150 ft.)

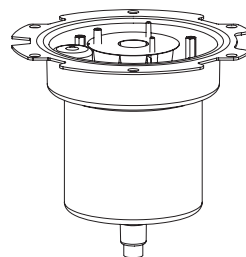
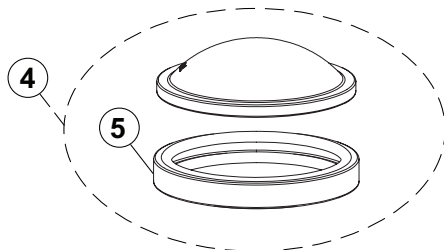
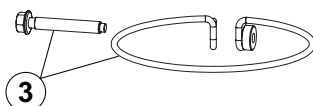
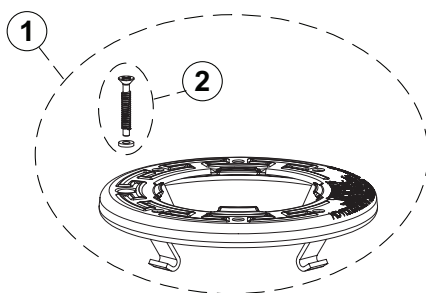
CONJUNTO DE LUZ BLANCO CÁLIDO/TORTUGA	
MODELO	LONGITUD DEL CABLE
602238	9.2 m (30 ft.)
602239	15.2 m (50 ft.)
602240	30.5 m (100 ft.)
602241	45.7 m (150 ft.)
602242	45.7 m (150 ft.)

CONJUNTO DE LUZ DE COLORES	
MODELO	LONGITUD DEL CABLE
602197	9.2 m (30 ft.)
602198	15.2 m (50 ft.)
602199	30.5 m (100 ft.)
602200	45.7 m (150 ft.)
602248 (azul real)	45.7 m (150 ft.)



## Piezas de repuesto de la luz del spa de 120 V

ARTÍCULO	REF.	DESCRIPCIÓN
1	79111600	Conjunto del anillo frontal
2	79104800z	Tornillo piloto, latón
	619355z	Tornillo piloto, acero inoxidable
3	79210400	Conjunto de la abrazadera
4	602176	Conjunto de la lente
5	79108600z	Kit de juntas
-	Consúltense a continuación	Conjunto de la luz



CONJUNTO DE LUZ BLANCA	
MODELO	LONGITUD DEL CABLE
602193	9.2 m (30 ft.)
602194	15.2 m (50 ft.)
602195	30.5 m (100 ft.)
602196	45.7 m (150 ft.)
602209	76.2 m (250 ft.)

CONJUNTO DE LUZ BLANCO CÁLIDO/TORTUGA	
MODELO	LONGITUD DEL CABLE
602225	9.2 m (30 ft.)
602226	15.2 m (50 ft.)
602227	30.5 m (100 ft.)
602228	45.7 m (150 ft.)
602229	76.2 m (250 ft.)
602231	45.7 m (150 ft.)

CONJUNTO DE LUZ DE COLORES	
MODELO	LONGITUD DEL CABLE
602201	9.2 m (30 ft.)
602202	15.2 m (50 ft.)
602203	30.5 m (100 ft.)
602204	45.7 m (150 ft.)
602205	76.2 m (250 ft.)
602249 (azul real)	45.7 m (150 ft.)



1620 HAWKINS AVE., SANFORD, NC 27330 • (919) 566-8000  
10951 WEST LOS ANGELES AVE., MOORPARK, CA 93021 • (805) 553-5000

Todas las marcas comerciales y los logotipos de Pentair indicados son propiedad de Pentair. El resto de marcas comerciales y logotipos registrados o sin registrar de terceros son propiedad de sus respectivos propietarios.

© 2023 Pentair. Todos los derechos reservados. [WWW.PENTAIR.COM](http://WWW.PENTAIR.COM)

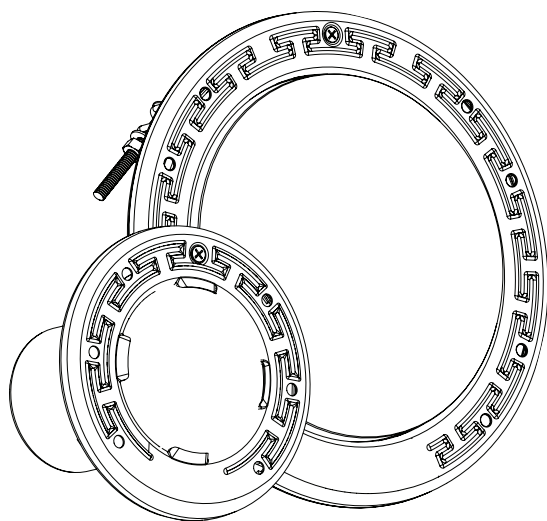


P/N 618070 REV. A 6/2/23



# INTELLIBRITE®

LAMPE POUR PISCINE/SPA  
DE SÉRIE ARCHITECTURALE



## GUIDE D'INSTALLATION ET D'UTILISATION

CONSIGNES DE SÉCURITÉ IMPORTANTES  
LISEZ ET SUIVEZ TOUTES LES INSTRUCTIONS  
CONSERVEZ CES INSTRUCTIONS

# SERVICE À LA CLIENTÈLE ET SOUTIEN TECHNIQUE

**Heures** : 8 h à 19 h 30 HNE (5 h à 16 h 30 HNP)

**Téléphone** : 800 831-7133

**Télécopieur** : 800 284-4151

**Site Web** : www.pentair.com

## TABLE DES MATIÈRES

<b>CONSIGNES DE SÉCURITÉ IMPORTANTES</b> .....	ii-iii
<b>INSTALLATION</b> .....	<b>1</b>
Aperçu .....	1
Fonctionnement des lampes avec un interrupteur mural standard .....	1
Utilisation d'un transformateur externe pour plusieurs lampes (lampes de 12 V uniquement) .....	1
Exigences pour l'installation des éléments électriques (É.-U.) .....	2
Exigences pour l'installation des éléments électriques (Canada) .....	3
Exigences d'installation des boîtiers de raccordement (Canada) .....	4
Installation de l'ensemble de lampes .....	5-6
<b>UTILISATION</b> .....	<b>7</b>
Sélection manuelle d'un jeu de couleurs ou une seule couleur.....	7
<b>ENTRETIEN</b> .....	<b>8</b>
Remplacement de l'ensemble de lampes .....	8-9
Retrait et démontage de la lampe de la piscine .....	10-11
Remplacement du fusible (lampes de piscine 12 V uniquement) .....	12
Remplacement des panneaux à DEL de la lampe de piscine .....	
(lampes de piscine uniquement) .....	13
Réassemblage de la lampe de piscine .....	14
Retrait et démontage de la lampe du spa.....	15-16
Réassemblage de la lampe du spa .....	17
<b>PIÈCES DE RECHANGE</b> .....	<b>18</b>
Pièces de rechange pour lampe de piscine 12 V .....	18
Pièces de rechange pour lampe de piscine 120 V .....	19
Pièces de rechange pour lampe de spa 12 V .....	20
Pièces de rechange pour lampe de spa 120 V .....	21



# CONSIGNES DE SÉCURITÉ IMPORTANTES



**REMARQUE IMPORTANTE – À l'intention de l'installateur :** Ce guide d'installation et d'utilisation (« Guide ») contient des renseignements importants sur l'installation, le fonctionnement et l'utilisation sécuritaires de cette lampe. Ce guide doit être remis au propriétaire ou à l'utilisateur de cet équipement.



**MISE EN GARDE** Avant d'installer ce produit, lisez et suivez l'ensemble des instructions et des avertissements figurant dans le guide. Le non-respect des avertissements et des instructions pourrait entraîner des blessures graves, un décès ou des dommages à la propriété. Composer le 800 831-7133 pour obtenir gratuitement des exemplaires supplémentaires de ces instructions. Rendez-vous à l'adresse [www.pentair.com](http://www.pentair.com) pour obtenir plus de renseignements sur ce produit.

**Avant d'installer les lampes, lisez ce qui suit :**



**MISE EN GARDE** Il faut toujours installer un assemblage collier de serrage et une rondelle de lentille lors du réassemblage de l'ensemble de la lampe. Le non-respect de cette consigne peut permettre à l'eau de s'infiltrer dans l'assemblage, ce qui pourrait entraîner : (a) un risque électrique entraînant la mort ou des blessures graves pour les utilisateurs de la piscine ou du spa, l'installateur ou d'autres personnes en raison d'un choc électrique, ou (b) la rupture de la lampe ou de la lentille, ce qui pourrait également entraîner des blessures graves pour les utilisateurs de la piscine ou du spa, les installateurs ou d'autres personnes, ou des dommages matériels.

**⚠ DANGER** UNE INSTALLATION ET UNE UTILISATION INAPPROPRIÉE DE CETTE LAMPE RISQUENT DE CAUSER DE GRAVES BLESSURES CORPORELLES OU LA MORT.

**⚠ DANGER** LES INSTALLATEURS, LES EXPLOITANTS ET LES PROPRIÉTAIRES DE PISCINES OU DE SPAS DOIVENT LIRE CES MISES EN GARDE ET TOUTES LES INSTRUCTIONS AVANT D'UTILISER LA LAMPE.



**MISE EN GARDE** La plupart des codes des États, des provinces et des municipalités réglementent la construction, l'installation et l'exploitation des piscines et spas publics ainsi que la construction des piscines et spa résidentiels. Il est important de se conformer à ces codes, dont beaucoup réglementent directement l'installation et l'utilisation de ce produit. Pour de plus amples renseignements, consultez le code du bâtiment et le code sanitaire locaux.



**RISQUE DE CHOC ÉLECTRIQUE OU D'ÉLECTROCUTION : CETTE LAMPE FONCTIONNE À HAUTE TENSION ET PEUT CAUSER UNE DÉCHARGE ÉLECTRIQUE, DES BRÛLURES OU LA MORT.**

**AVANT SON ENTRETIEN, IL FAUT TOUJOURS DÉBRANCHER L'ALIMENTATION ÉLECTRIQUE DE LA LAMPE AU DISJONCTEUR.** Le non-respect de cette règle risque de provoquer des blessures graves, voire la mort, aux personnes responsables de l'entretien,

aux utilisateurs de la piscine ou du spa ou autres à la suite d'une décharge électrique.



Cette lampe doit être installée par un électricien agréé ou certifié ou un professionnel des piscines qualifié en conformité avec le Code national de l'électricité (CNE) en vigueur, ou le Code de l'électricité du Canada (CEC). Tous les codes et ordonnances d'installation locaux en vigueur doivent également être respectés. Une mauvaise installation est une source de danger électrique pouvant provoquer des blessures graves, voire la mort, aux utilisateurs de la piscine ou du spa, aux installateurs ou autres à la suite d'un choc électrique, en plus de poser un risque de dommage matériel. Il faut toujours débrancher l'alimentation électrique de la lampe au disjoncteur avant son entretien. Le non-respect de cette règle risque de provoquer des blessures graves, voire la mort, aux personnes responsables de l'entretien, aux utilisateurs de la piscine ou du spa ou autres à la suite d'un choc électrique.



**ATTENTION** CETTE LAMPE NE PEUT ÊTRE UTILISÉE AVEC UN CIRCUIT GRADATEUR. L'UTILISATION D'UN GRADATEUR ENDOMMAGERA LA LAMPE DE FAÇON PERMANENTE.

## CONSIGNES DE SÉCURITÉ IMPORTANTES

**MISE EN GARDE** **NE JAMAIS** remplacer les lampes par épissure du câble sous l'eau ou derrière la niche. **Le câble ou le cordon externe flexible de ce luminaire ne peut pas être remplacé. Si le cordon est endommagé, la lampe doit être détruite.**

**MISE EN GARDE** **RISQUE DE CHOC ÉLECTRIQUE ET DE BLESSURE. UTILISER UNIQUEMENT LES MÉTHODES D'INSTALLATION INDIQUÉES DANS CE GUIDE.**

**MISE EN GARDE** Toutes les installations de niches et de lampes doivent être conformes à tous les codes. Si les codes locaux exigent un joint pour le cordon, utiliser les niches en plastique Pentair (n° de pièce 79206600 et n° de pièce 79206700) et la trousse d'étanchéité pour cordon (n° de pièce 670044).

**ATTENTION** Le luminaire ne doit être utilisé qu'avec les boîtiers pour luminaires Pentair (niches). Si le luminaire est installé dans d'autres niches, l'installation ne sera pas approuvée par UL et annulera toutes les garanties.

**MISE EN GARDE** Le sel est de nature corrosive. Bien que les taux de sel nécessaires au bon fonctionnement d'un chlorateur au sel soient relativement faibles comparativement à l'eau de mer et aux autres solutions salines, l'ajout de sel dans votre piscine augmente le risque de corrosion ou de détérioration de l'équipement de la piscine et de toutes les surfaces à l'intérieur et autour de votre piscine. Les pièces métalliques et certaines surfaces naturelles et artificielles sont particulièrement sensibles lorsqu'elles sont utilisées à l'intérieur et autour des piscines d'eau salée. Pentair ne déclare ni ne garantit d'aucune manière qu'une utilisation adéquate d'un chlorateur au sel évitera la corrosion ou toute autre détérioration de l'équipement de la piscine et de toutes les surfaces à l'intérieur et autour de votre piscine. Consultez un professionnel de la piscine qui devrait être en mesure de vous conseiller sur le choix et les techniques d'installation des matériaux ainsi que sur l'utilisation et l'entretien appropriés de ceux-ci selon le type et l'emplacement de votre piscine afin de minimiser la corrosion et la détérioration inhérentes à l'intérieur et autour des piscines d'eau salée.

**Suivez les directives suivantes lors de l'installation, du remplacement ou de la réparation des luminaires Pentair :**  
**RÉPLACEZ TOUTE PROTECTION FISSURÉE (LENTILLE FISSURÉE) AVEC UNE LENTILLE ET UN JOINT D'ÉTANCHÉITÉ NEUFS.**  
**UTILISEZ UN TRANSFORMATEUR DE SÉPARATION DE SÉCURITÉ SEULEMENT POUR FAIRE FONCTIONNER LA LAMPE.**

**ATTENTION** Les luminaires ne conviennent pas au montage direct sur des surfaces normalement inflammables. Convient **UNIQUEMENT** pour un montage sur des surfaces non combustibles.

### LISEZ ET SUIVEZ TOUTES LES INSTRUCTIONS

# INSTALLATION

## Aperçu

Ce manuel décrit l'installation, le fonctionnement et l'entretien des lampes pour piscine ou spa de série architecturale IntelliBrite®.

**Lampe blanche** : Lampe blanche pour votre piscine ou spa.

**Lampe colorée** : Plusieurs couleurs et effets pour votre piscine ou spa. Choisissez l'un des sept réglages de spectacle de lumières de couleur préprogrammés ou l'une des cinq couleurs fixes pour créer une gamme d'effets d'éclairage spectaculaires.

## Fonctionnement des lampes avec un interrupteur mural standard

Les lampes peuvent être commandées manuellement à l'aide d'un interrupteur mural standard. Plusieurs lampes peuvent être connectées au moyen d'un boîtier de raccordement à un interrupteur unique de façon à pouvoir allumer et éteindre toutes les lumières ensemble.

Les lampes IntelliBrite peuvent également être contrôlées automatiquement par les systèmes d'automatisation et les contrôleurs de lampes Pentair. Reportez-vous au manuel du système d'automatisation ou du contrôleur de lampe pour consulter les instructions de câblage.

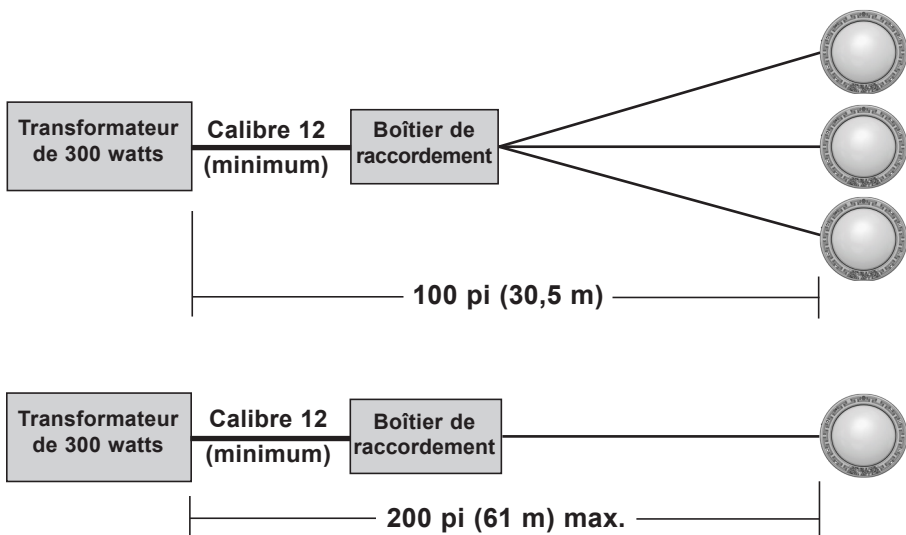
## Utilisation d'un transformateur externe pour plusieurs lampes (12 V uniquement)

Si vous utilisez plusieurs lampes de 12 VCA sur un transformateur de **300 watts**, il est recommandé de ne pas utiliser plus de trois lampes.

**Lors de l'utilisation de plusieurs lampes** : La distance entre le transformateur et les lampes ne doit pas dépasser 100 pieds (30,5 m).

**Lors de l'utilisation d'une seule lampe** : La distance entre le transformateur et les lampes ne doit pas dépasser 200 pieds (61 m).

**Remarque** : Pour des longueurs de câble plus importantes, réglez le transformateur sur 14 VCA.

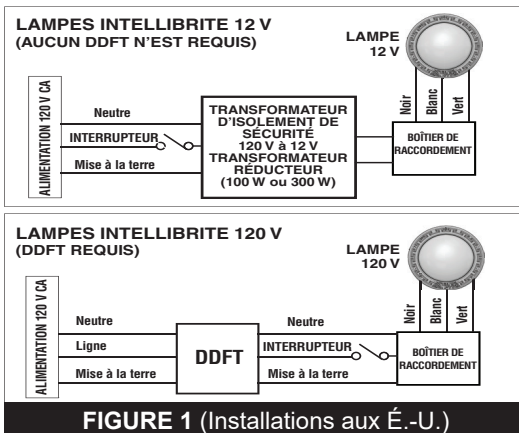


## Exigences pour l'installation des éléments électriques (États-Unis)



Assurez-vous que le système électrique de la piscine et du spa soit conforme aux exigences du Code d'électricité national et de tous les codes et règlements locaux qui s'appliquent. Un électricien agréé ou certifié doit installer le système électrique de façon à respecter ou à surpasser ces exigences avant l'installation de la lampe. Certaines des exigences du Code d'électricité national qui doivent être satisfaites sont affichées ci-dessous.

- **Les lampes 120 V DOIVENT être connectées à un disjoncteur de fuite à la terre (DDFT), avec un disjoncteur de valeur nominale appropriée.** Se reporter à la **FIGURE 1 (Installations aux É.-U.)** ci-dessous.
- Le boîtier de raccordement et le transformateur basse tension se situent à au moins 8 pouces (20,3 cm) au-dessus du niveau d'eau maximal et à au moins 4 pouces (10,2 cm) au-dessus du niveau du sol ou de la plate-forme de la piscine ou du spa, si cette hauteur est la plus élevée. Se reporter à la **FIGURE 4 (Installations aux É.-U.)** à la page 5.
- Le boîtier de raccordement doit se trouver à au moins 4 pieds (1,2 m) du mur intérieur de la piscine ou du spa à moins que l'appareil ne soit séparé de la piscine ou du spa par une clôture pleine, un mur ou tout autre écran permanent. Se reporter à la **FIGURE 4 (Installations aux É.-U.)** à la page 5.
- Fixez le luminaire à tous les autres éléments métalliques situés à moins de 1,5 m (5 pieds) de la piscine ou du spa, à l'aide d'un fil de liaison 8 AWG. La cosse de liaison est située à l'arrière de la niche. Se reporter à la **FIGURE 4 (Installations aux É.-U.)** à la page 5.
- Si un conduit non métallique est utilisé, un fil de liaison/de mise à la terre 8 AWG doit être installé dans le conduit depuis le boîtier de raccordement jusqu'à la cosse de liaison/de mise à la terre à l'intérieur de la niche. Scellez le raccord de liaison/de mise à la terre avec un produit d'étanchéité approprié afin de protéger le raccord contre toute corrosion potentielle. Se reporter à la **FIGURE 4 (Installations aux É.-U.)** à la page 5.
- La niche doit être installée de manière à ce que le bord supérieur de la lentille lumineuse, une fois installée, se trouve à au moins 18 pouces (45,7 cm) sous le niveau maximal de l'eau. Se reporter à la **FIGURE 4 (Installations aux É.-U.)** à la page 5.



**Connectez trois fils aux fils du circuit correspondant dans le boîtier de raccordement.**

- **Noir** vers borne Alimentation
- **Blanc** vers borne Commune
- **Vert** vers borne Mise à terre

**UTILISEZ UN TRANSFORMATEUR DE SÉPARATION DE SÉCURITÉ SEULEMENT POUR FAIRE FONCTIONNER LA LAMPE.**

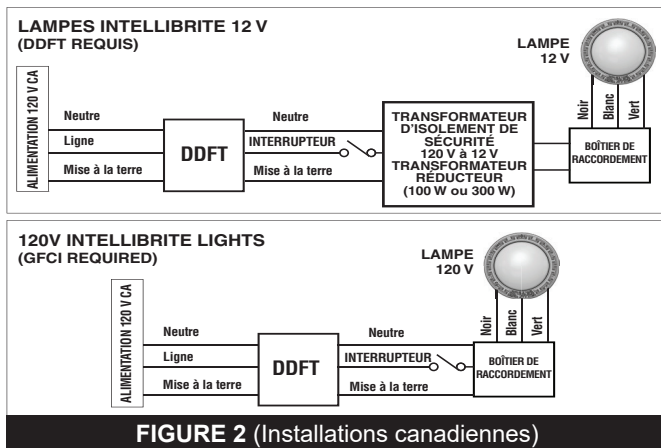
**N'UTILISEZ QUE DES NICHES PENTAIR POUR ASSURER DES RACCORDS DE LIAISON ET DE MISE À LA TERRE CORRECTS.**

## Exigences pour l'installation des éléments électriques (CANADA)

**MISE EN GARDE** Assurez-vous que le système électrique de la piscine et du spa soit conforme aux exigences du Code de l'électricité du Canada (CEC) et de tous les codes et règlements locaux qui s'appliquent. Un électricien agréé ou certifié doit installer le système électrique de façon à respecter ou à surpasser ces exigences avant l'installation de la lampe. Certaines des exigences du Code d'électricité national qui doivent être satisfaites sont affichées ci-dessous.

### SE RÉFÉRER À LA PAGE SUIVANTE POUR CONNAÎTRE LES EXIGENCES DU BOÎTIER DE RACCORDEMENT POUR LES INSTALLATIONS CANADIENNES

- Les lampes **DOIVENT** être connectées à un disjoncteur de fuite à la terre (DDFT), avec un disjoncteur de valeur nominale appropriée. Se reporter à la FIGURE 2 (Installations canadiennes) ci-dessous.
- Le disjoncteur ou le transformateur de DDFT doit être situé à au moins 3 mètres (10 pieds) du bord de la piscine ou du spa. Se reporter à la FIGURE 5 (Installations canadiennes) à la page 5.
- Fixez le luminaire à tous les autres éléments métalliques situés à moins de 3 mètres (9,8 pieds) de la piscine ou du spa, à l'aide d'un fil de liaison 6 AWG. La cosse de liaison est située à l'arrière de la niche. Se reporter à la FIGURE 5 (Installations canadiennes) à la page 5.
- Si un conduit non métallique est utilisé, un fil de liaison/de mise à la terre 6 AWG doit être installé dans le conduit depuis le boîtier de raccordement jusqu'à la cosse de liaison/de mise à la terre à l'intérieur de la niche. Scellez le raccord de liaison/de mise à la terre avec un produit d'étanchéité approprié afin de protéger le raccord contre toute corrosion potentielle de l'eau de la piscine/du spa. Se reporter à la FIGURE 5 (Installations canadiennes) à la page 5.
- La niche doit être installée de manière à ce que le bord supérieur de la lentille lumineuse, une fois installée, se trouve à au moins 60 centimètres (23,6 pouces) sous le niveau maximal de l'eau. Se reporter à la FIGURE 5 (Installations canadiennes) à la page 5.



**FIGURE 2 (Installations canadiennes)**

Connectez trois fils aux fils du circuit correspondant dans le boîtier de raccordement.

- **Noir** vers borne Alimentation
- **Blanc** vers borne Commune
- **Vert** vers borne Mise à terre

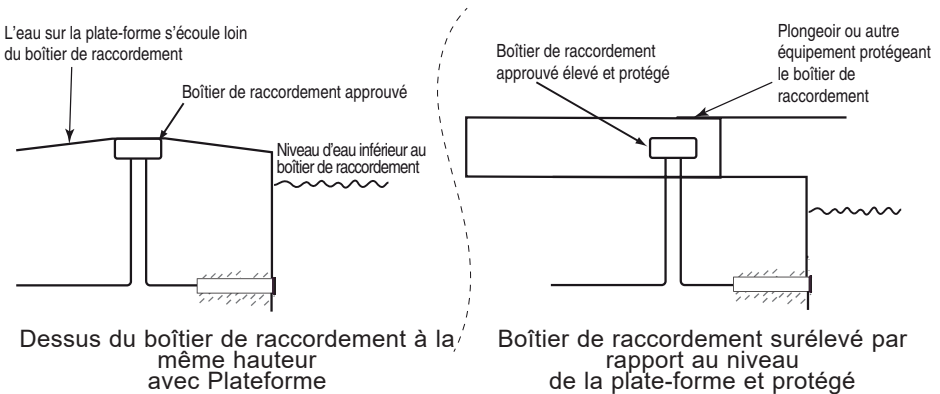
**UTILISEZ UN TRANSFORMATEUR DE SÉPARATION DE SÉCURITÉ SEULEMENT POUR FAIRE FONCTIONNER LA LAMPE.**

**N'UTILISEZ QUE DES NICHES PENTAIR POUR ASSURER DES RACCORDS DE LIAISON ET DE MISE À LA TERRE CORRECTS.**

## Exigences d'installation des boîtiers de raccordement (Canada)

### Les boîtiers de raccordement doivent être installés :

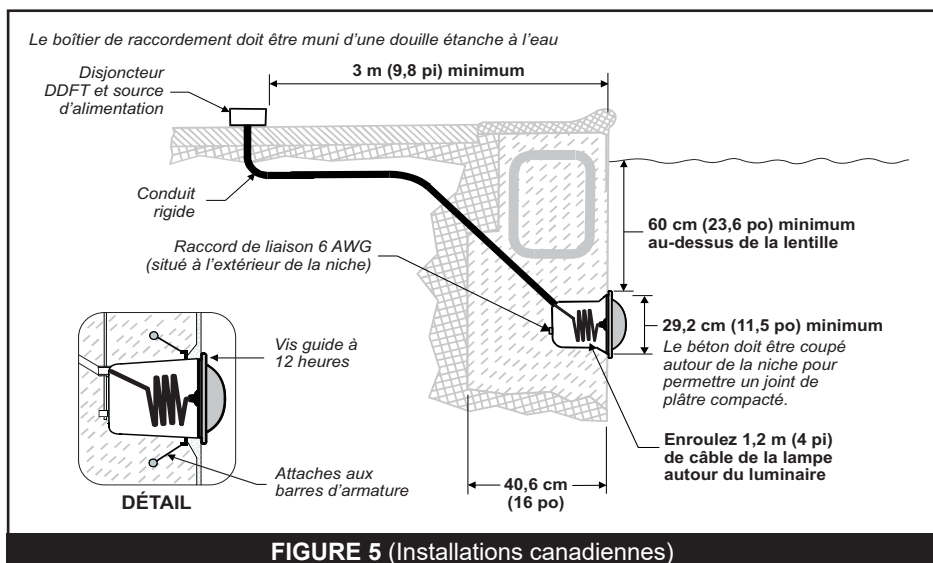
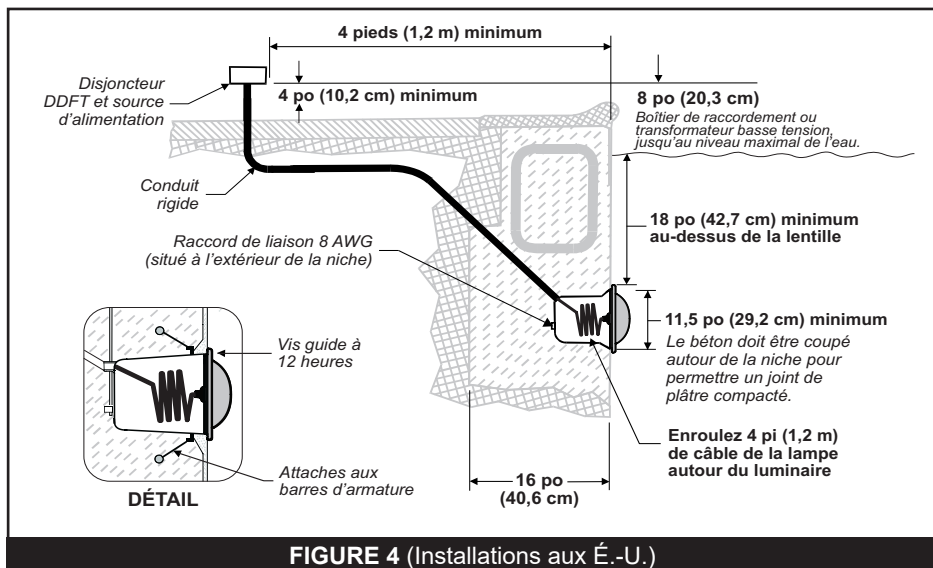
- au-dessus du niveau d'eau maximal de la piscine ou du spa;
- de façon à ce que le haut du boîtier soit situé au niveau ou au-dessus du niveau de la plate-forme de la piscine ou du spa;
- d'une manière ou à un endroit où la boîte ne constituera pas un obstacle;
- de façon à ce que l'eau sur la plate-forme s'écoule loin du boîtier;
- de façon à être scellé au conduit pour empêcher l'eau d'y entrer.



**FIGURE 3 (Installations canadiennes)**

## Installation de l'ensemble de lampes

1. Éteignez l'interrupteur électrique principal ou le disjoncteur, ainsi que l'interrupteur de la lampe.
2. Acheminez le câble de la lampe dans un conduit jusqu'au boîtier de raccordement, en laissant au moins 4 pieds (1,2 m) de câble enroulé à l'intérieur de la niche. Cela permet d'effectuer l'entretien de la lampe à partir de la plate-forme lorsque la piscine ou le spa sont remplis d'eau.
3. Coupez le câble au niveau du boîtier de raccordement, en laissant au moins 6 pouces (15,3 cm) de câble pour effectuer les connexions.



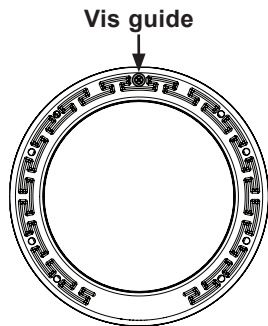
## Installation de l'ensemble de lampes (suite)

4. Dénudez soigneusement 6 pouces (15,3 cm) de la gaine extérieure du cordon pour exposer les trois conducteurs isolés. Veillez à ne pas endommager l'isolation des trois conducteurs intérieurs).
5. Enlevez soigneusement 1/2 pouce (1,3 cm) d'isolant des trois conducteurs. Veillez à ne pas endommager le conducteur en cuivre.
6. Connectez trois conducteurs aux fils du circuit correspondant dans le boîtier de raccordement.
  - **Noir** vers borne Alimentation
  - **Blanc** vers borne Commune
  - **Vert** vers borne Mise à terre
7. Fixez le couvercle du boîtier de raccordement.
8. Insérez la languette de l'anneau frontal dans la fente située au bas de la niche.
9. Serrez la vis de guidage.

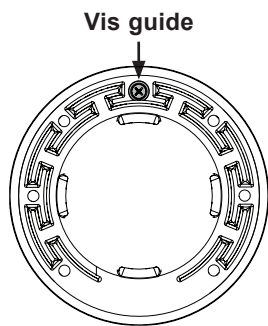


**MISE EN GARDE** N'utilisez que la **vis de guidage** fournie. Cette vis assure le montage et la mise à la terre électrique du boîtier sur l'anneau frontal et la niche. Le fait de ne pas utiliser la vis fournie est une source de danger électrique pouvant provoquer des blessures graves, voire la mort, aux utilisateurs de la piscine ou du spa, aux installateurs ou autres à la suite d'un choc électrique.

10. Remplissez la piscine ou le spa jusqu'à ce que la lampe soit complètement immergée dans l'eau avant de la faire fonctionner.
11. **Vérifiez le bon fonctionnement de la lampe** : Pour vérifier le bon fonctionnement, allumez l'interrupteur principal ou le disjoncteur, ainsi que l'interrupteur qui commande la lampe elle-même. La lampe doit s'allumer lorsqu'elle est sous tension.



Languette de l'anneau frontal  
(dissimulée)



Languette de l'anneau frontal  
(dissimulée)



# UTILISATION

## Sélection manuelle d'un jeu de couleurs ou une seule couleur

La couleur de la lampe peut être commandée manuellement à l'aide d'un interrupteur standard. Lorsque la couleur de la lampe est allumée, elle s'allume momentanément en blanc, puis passe à la couleur précédemment sélectionnée.

Pour sélectionner manuellement un jeu de couleurs (1 à 7) ou une couleur fixe (8 à 12), éteignez et rallumez l'interrupteur mural un certain nombre de fois.

Chaque nombre (1 à 12) indiqué ci-dessous correspond au nombre de fois que le commutateur doit être éteint et rallumé pour activer un jeu de couleurs ou une couleur fixe.

**Exemple :** Pour sélectionner le mode Coucher de soleil californien, éteignez et rallumez la lampe six fois. Pendant ce processus, la lampe ne s'allumera pas.

<b>Nombre de cycles (1 à 5)</b>	1	<b>Mode Sam :</b> Fait défiler les couleurs blanc, magenta, bleu et vert.	<b>Nombre de cycles (6 à 14)</b>	7	<b>Mode Royal :</b> Des tons plus riches et plus profonds.
	2	<b>Mode Fête :</b> Changement de couleurs rapide et dynamique.		8	<b>Bleu :</b> Couleur fixe.
	3	<b>Mode Romantique :</b> Transitions de couleur lentes créant un effet calmant.		9	<b>Vert :</b> Couleur fixe.
	4	<b>Mode Caraïbes :</b> Alterne entre une variété de bleus et de verts.		10	<b>Rouge :</b> Couleur fixe.
	5	<b>Mode Américain :</b> Alterne entre les couleurs rouge, blanc et bleu.		11	<b>Blanc :</b> Couleur fixe.
	6	<b>Mode Coucher de soleil californien :</b> Alterne entre les couleurs orange, rouge et magenta.		12	<b>Magenta :</b> Couleur fixe.
				13	<b>Maintien :</b> Sauvegarder le jeu de couleurs actuel ou une couleur fixe.
				14	<b>Rappel :</b> Activer le dernier jeu de couleurs sauvegardé ou une couleur fixe.

## Sauvegarder un jeu de couleur ou une couleur fixe

Lorsque l'alimentation des lampes de couleur est coupée, le dernier jeu de couleurs ou la dernière couleur fixe qui a été utilisée est sauvegardé. La prochaine fois que le courant sera rétabli, le dernier jeu de couleurs ou la couleur fixe qui a été sauvegardée s'affichera.

**Exemple :** Lorsque vous utilisez le mode Fête, éteignez la lumière. Attendez plus de 10 secondes, puis rallumez la lampe pour lancer à nouveau le mode Fête.

### MISE EN GARDE

Pendant le processus de commutation marche/arrêt, durant un court instant, aucun éclairage ne se produira avant que la couleur sélectionnée ne s'affiche. C'est normal pendant le processus de commutation. Pendant cette période, des précautions doivent être prises pour éviter les accidents imprévus. Le non-respect de cet avertissement peut entraîner des blessures graves ou la mort.

**Remarque :** Les lampes de couleur Pentair peuvent être contrôlées par les systèmes d'automatisation et les contrôleurs de lampes Pentair. Communiquez avec votre détaillant de piscines pour obtenir plus de renseignements.

# ENTRETIEN

## Remplacement de l'ensemble de lampes

### DANGER



#### RISQUE DE CHOC ÉLECTRIQUE OU D'ÉLECTROCUTION!

Cette lampe doit être installée par un électricien certifié ou agréé ou par un professionnel des piscines qualifié conformément au Code national de l'électricité et à tous les codes et règlements locaux applicables. Une mauvaise installation est une source de danger électrique pouvant provoquer des blessures graves, voire la mort, aux utilisateurs de la piscine ou du spa, aux installateurs ou autres à la suite d'un choc électrique, en plus de poser un risque de dommage matériel.

Débranchez toujours l'alimentation de la lampe au niveau du disjoncteur avant de procéder à l'entretien. Le non-respect de cette règle risque de provoquer des blessures graves, voire la mort, aux personnes responsables de l'entretien, aux utilisateurs de la piscine ou du spa ou autres à la suite d'un choc électrique.

### MISE EN GARDE

Une installation du système électrique de la piscine ou du spa non conforme aux exigences du code avant la mise en place de la lampe est une source de danger électrique pouvant provoquer le décès ou des blessures graves aux utilisateurs de la piscine ou du spa, aux installateurs ou autres à la suite d'un choc électrique, et risque en plus de causer des dommages matériels.

1. Retirez la vis de guidage en laiton ou en acier inoxydable du haut de l'anneau frontal.
2. Retirez l'ensemble de lampe de la niche et placez-la sur la plate-forme.
3. Coupez le cordon à environ 12 pouces (30,5 cm) de l'arrière de l'ensemble de lampe.
4. Retirez le couvercle du boîtier de raccordement, débranchez les fils de la lampe et tirez le cordon dans le conduit.
 

**Remarque :** Avant de tirer le cordon, fixez le nouveau cordon au cordon existant. Il sera ainsi plus facile de faire passer le nouveau cordon dans le conduit.
5. Faites passer le nouveau cordon dans le conduit de la niche au boîtier de raccordement.
 

**Remarque :** Selon la longueur du conduit, des outils spéciaux peuvent être nécessaires pour tirer le cordon dans le conduit.
6. Laissez au moins 4 pieds (1,2 m) de cordon enroulé à l'intérieur de la niche. Cela permet d'effectuer l'entretien de la lampe à partir de la plate-forme lorsque la piscine ou le spa sont remplis d'eau.
7. Coupez le cordon au niveau du boîtier de raccordement, en laissant au moins 1,3 cm (6 pouces) de câble pour effectuer les connexions.
8. Dénudez soigneusement 6 pouces (15,2 cm) de la gaine extérieure du cordon pour exposer les trois conducteurs isolés. Veillez à ne pas endommager l'isolation des trois conducteurs internes.
9. Enlevez soigneusement 1/2 pouce (1,3 cm) d'isolant des trois conducteurs. Veillez à ne pas endommager le conducteur en cuivre.
10. Connectez les trois fils aux fils du circuit correspondant dans le boîtier de raccordement.
  - **Noir** vers borne Alimentation
  - **Blanc** vers borne Commune
  - **Vert** vers borne Mise à terre

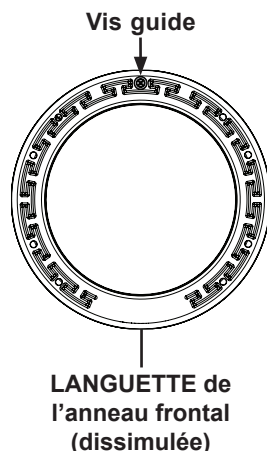
## Remplacement de l'ensemble de la lampe (suite)

- Retirez la vis guide en laiton ou en acier inoxydable du haut de l'anneau frontal.



**MISE EN GARDE** N'utilisez que la vis guide fournie. Cette vis assure le montage et la mise à la terre électrique du boîtier sur l'anneau frontal et la niche. Le fait de ne pas utiliser la vis fournie est une source de danger électrique pouvant provoquer des blessures graves, voire la mort, aux utilisateurs de la piscine, aux installateurs ou autres à la suite d'un choc électrique.

- Retirez l'ensemble de lampe de la niche et placez-la sur la plate-forme.
- Coupez le cordon à environ 12 pouces (30,5 cm) de l'arrière de l'ensemble de lampe.
- Retirez le couvercle du boîtier de raccordement, débranchez les fils de la lampe et tirez le cordon dans le conduit.



## Retrait et démontage de la lampe de la piscine

Les instructions suivantes s'appliquent uniquement aux lampes de piscine Architectural IntelliBrite®.

Pour obtenir plus de renseignements à propos du retrait et du démontage de la lampe pour spa, reportez-vous à *Retrait et démontage de la lampe du spa*, page 15.

**⚠ DANGER**



### RISQUE DE CHOC ÉLECTRIQUE OU D'ÉLECTROCUTION

Débranchez toujours l'alimentation de la lampe au niveau du disjoncteur avant de procéder à l'entretien. Le non-respect de cette règle risque de provoquer des blessures graves, voire la mort, aux personnes responsables de l'installation, de l'entretien, aux utilisateurs de la piscine ou du spa ou autres à la suite d'une décharge électrique.

**⚠ MISE EN GARDE**

Il faut toujours installer un nouveau collier de serrage et une rondelle neuve lors du réassemblage de la lampe. Le non-respect des exigences en matière du remplacement de ces composants pourrait causer des fuites d'eau dans la lampe qui entraîneraient :

- une source de danger électrique pouvant provoquer des blessures graves, voire la mort, aux utilisateurs, aux installateurs ou autres à la suite d'un choc électrique;
- la rupture de la lampe ou de la lentille, ce qui pourrait également entraîner des blessures graves pour les utilisateurs de la piscine ou du spa, les installateurs ou d'autres personnes, ou des dommages matériels.

1. Couper toute alimentation électrique de la lampe au panneau des disjoncteurs et mettre l'interrupteur de la lampe en position **ARRÊT** (hors tension).

**Remarque :** NE PAS effectuer un entretien de la lampe lorsque vous êtes dans la piscine.

2. Avant de démonter la lampe, assurez-vous d'avoir un nouveau joint d'étanchéité et un nouveau collier de serrage prêts pour le remontage.
3. À l'aide d'un tournevis cruciforme n° 2, desserrez la vis guide située dans le haut de l'anneau frontal.

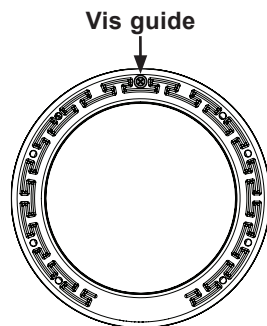
**Remarque :** NE PAS retirer la vis guide de l'anneau frontal.

4. Retirez l'ensemble de lampe de la niche et placez-la sur la plate-forme de la piscine.

**Remarque :** Il n'est pas nécessaire de vider la piscine avant de retirer la lampe.

5. Déposez un chiffon propre sur le sol.
6. Faites pivoter la lampe et déposez la lentille sur le chiffon propre.

– Passer à la page suivante –



## Retrait et démontage de la lampe de la piscine (suite)

7. À l'aide d'une clé ouverte ou réglable de 7/16 po et d'un tournevis cruciforme n° 2, desserrez le boulon qui tend le collier de serrage.

**Remarque : Retirez la quincaillerie de serrage avec précaution. Le collier de serrage relâchera une faible tension lorsque l'écrou atteindra l'extrémité du boulon.**

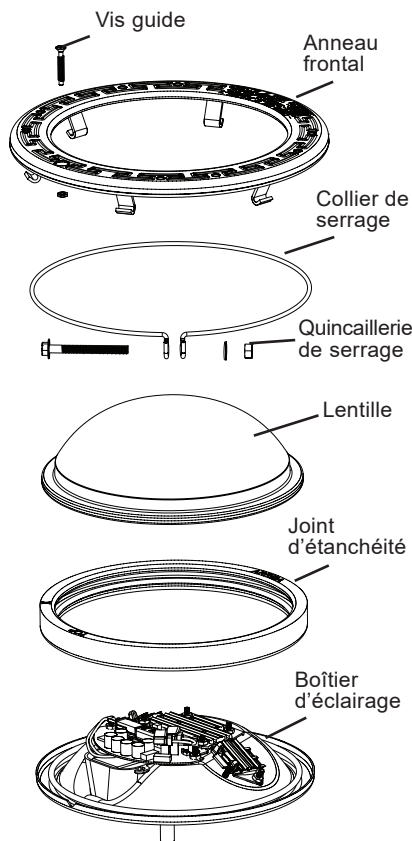
8. Jetez le collier de serrage et la quincaillerie de serrage.
9. Soulevez et retirez le boîtier d'éclairage de la lentille et de l'anneau frontal. Mettez le boîtier d'éclairage de côté.
10. Soulevez et retirez la lentille de l'anneau frontal et mettez-la de côté.
11. Retirez le joint d'étanchéité orange de la lentille.
12. Jetez le joint d'étanchéité.

**Remarque : UTILISEZ TOUJOURS UN NOUVEAU JOINT D'ÉTANCHEITÉ POUR LA LENTILLE ET UN NOUVEAU COLLIER DE SERRAGE LORS DU RÉASSEMBLAGE DE LA LAMPE.**  
Pour consulter les numéros de pièces, se reporter à *PIÈCES DE RECHANGE* à la page 18.

13. Lors du remplacement du fusible de la lampe de la piscine, suivez les étapes à la section *Remplacement du fusible (lampes de piscine 12 V uniquement)*, page 12.

Lors du remplacement des panneaux à DEL de la lampe de piscine, suivez les étapes à la section *Remplacement des panneaux à DEL (lampes de piscine uniquement)*, page 13.

Lors du réassemblage de la lampe, suivez les étapes à la section *Réassemblage de la lampe de piscine*, page 14.



## Remplacement du fusible (lampes de piscine 12 V uniquement)

Uniquement les lampes de piscine de 12 V contiennent un fusible remplaçable. Les lampes pour spa et les lampes de piscine de 120 V ne sont pas équipées d'un ensemble de fusibles.

Se reporter à *Pièces de rechange pour lampe de piscine 12 V*, page 18 pour obtenir une liste des pièces de rechange.

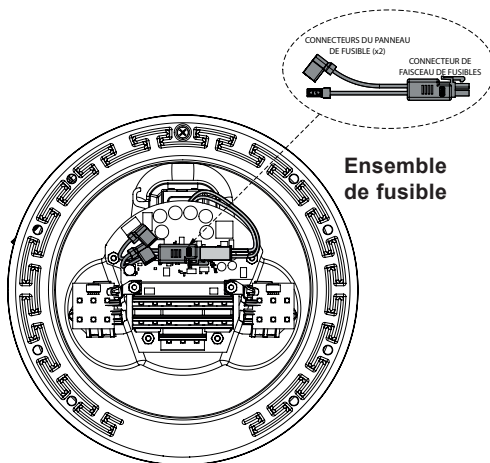
### REPLACEMENT DU FUSIBLE :

1. Déconnectez avec précaution les deux connecteurs de la cosse du panneau à fusibles du panneau à DEL de la lampe.
2. Appuyez sur le levier de déverrouillage du connecteur de faisceau de fusibles et séparez délicatement l'ensemble de fusibles du faisceau de fusibles.
3. Branchez le nouveau connecteur du faisceau de fusibles dans le faisceau de fusibles de la lampe jusqu'à ce qu'ils s'enclenchent.
4. Connectez avec précaution les deux connecteurs de la cosse du panneau à fusibles des bornes du panneau à DEL.

**Remarque :** N'appuyez PAS trop fort sur les connecteurs

de la cosse. Cela pourrait endommager le panneau ou les bornes du panneau.

5. Réassemblez la lampe conformément aux instructions données dans *Réassemblage de la lampe de piscine*, page 14.



## Remplacement des panneaux à DEL (lampes de piscine uniquement)

Seulement les lampes de piscine contiennent un assemblage de fusible remplaçable. Les panneaux à DEL de la lampe pour spa ne peuvent PAS être remplacés.

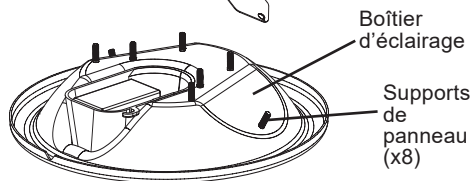
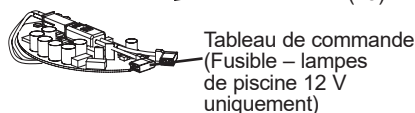
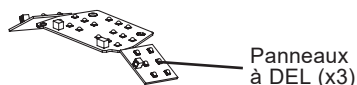
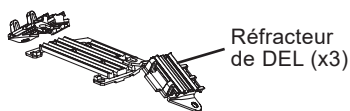
Se reporter à *Pièces de rechange pour lampe de piscine 12 V*, page 18 pour obtenir une liste des pièces de rechange.



Lorsque vous remplacez les panneaux à DEL, utilisez toujours des panneaux de même type et de même puissance. L'utilisation de la lampe avec un panneau à DEL inapproprié endommagera la lampe et peut provoquer un risque électrique entraînant la mort ou des blessures graves pour les utilisateurs de la piscine ou du spa, les installateurs ou d'autres personnes en raison d'un choc électrique, et peut également provoquer des dommages matériels.

### DÉMONTAGE DES PANNEAUX À DEL :

1. Repérez les deux fils qui vont du boîtier d'éclairage au panneau à DEL central.
2. Déconnectez avec précaution les deux connecteurs de la cosse du panneau à DEL central.
3. À l'aide d'une douille de 5/16 pouces ou d'un tournevis à douille, retirez avec précaution les huit écrous de serrage qui fixent les panneaux à DEL au boîtier d'éclairage.
4. Retirez le réfracteur de DEL en plastique du panneau à DEL central.
5. Retirez les trois panneaux à DEL du boîtier d'éclairage.
6. Retirez la plaque thermique du boîtier d'éclairage.



### INSTALLATION DE NOUVEAUX PANNEAUX À DEL :

7. Placez la nouvelle plaque thermique sur les supports du panneau.
8. Assurez-vous qu'un réfracteur de DEL est installé sur les nouveaux panneaux à DEL de droite et de gauche.
9. Placez le grand panneau à DEL central sur les cinq supports de panneau appropriés du milieu.

**Remarque :** Veillez à ce que les fils qui partent du boîtier d'éclairage ne soient pas coincés sous le panneau à DEL central.

10. Placez le réfracteur de DEL du milieu sur le nouveau panneau à DEL central.
11. Placez les panneaux à DEL de droite et de gauche sur les supports de panneau appropriés.
12. À l'aide d'un tournevis à douille de 5/16 pouces, réinstallez les huit écrous de serrage.

**Remarque :** Un serrage excessif des écrous de serrage peut endommager les réflecteurs de DEL ou les panneaux.

13. Si nécessaire, reconnectez soigneusement les deux fils de l'ensemble de fusibles au panneau à DEL central.
14. Pour réassembler la lampe, passez à la section *Réassemblage de la lampe de piscine* à la page suivante.

## Réassemblage de la lampe de piscine

Les instructions suivantes s'appliquent uniquement aux lampes de piscine Architectural IntelliBrite®. Pour obtenir plus de renseignements à propos du retrait et du démontage de la lampe pour spa, reportez-vous à *Réassemblage de la lampe de spa, page 17*.

### MISE EN GARDE

Il faut toujours installer un nouveau collier de serrage et une rondelle neuve lors du réassemblage de la lampe. Le non-respect des exigences en matière de remplacement de ces composants pourrait causer des fuites d'eau dans la lampe qui entraîneraient :

- une source de danger électrique pouvant provoquer des blessures graves, voire la mort, aux utilisateurs, aux installateurs ou autres à la suite d'un choc électrique;
- la rupture de la lampe ou de la lentille, ce qui pourrait également entraîner des blessures graves pour les utilisateurs de la piscine ou du spa, les installateurs ou d'autres personnes, ou des dommages matériels.

1. Assurez-vous que le joint torique noir de la lentille est placé à l'intérieur du joint orange de la lentille.

2. Tendez le joint autour du bord extérieur de la lentille, en vous assurant que le côté marqué « TOP » est positionné sur le côté supérieur prévu de la lumière.

**Remarque :** Assurez-vous que le joint d'étanchéité de la lentille est installé de manière uniforme autour de la lentille.

3. Posez le boîtier d'éclairage sur sa base et placez la lentille/le joint sur le boîtier d'éclairage.

4. Placez l'anneau frontal sur le dessus de la lentille/du joint/du boîtier.

5. Faites tourner l'anneau frontal jusqu'à ce que la vis de guidage soit alignée avec l'encoche du bord intérieur du boîtier d'éclairage. Veuillez consulter l'image ci-dessous.

6. Avec les extrémités crochues du collier de serrage orientées à l'opposé de la lentille/du boîtier, placez le collier de serrage dans les six crochets de l'anneau frontal à l'arrière de celui-ci.

**Remarque :** Assurez-vous que le collier est maintenu par les six crochets. Cela garantit une bonne étanchéité entre le joint et l'anneau frontal.

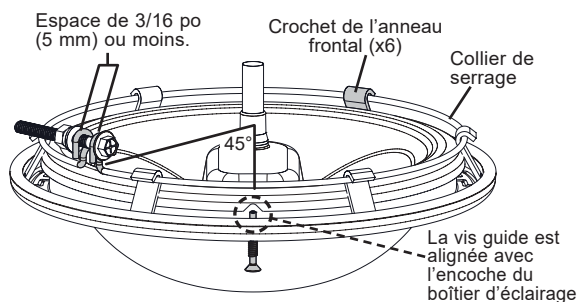
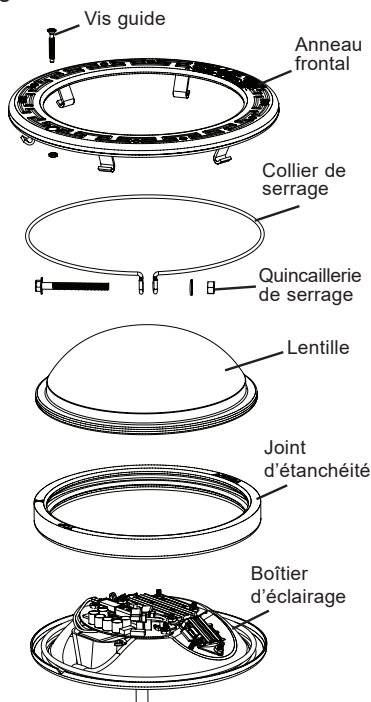
7. Assurez-vous que les deux extrémités du collier de serrage sont positionnées à un angle de 45 degrés par rapport à la vis de guidage.

8. Placez le bouchon de blocage à travers les deux extrémités du collier de serrage.

9. Vissez la rondelle et l'écrou sur le bouchon.

10. À l'aide d'une clé ouverte ou réglable de 7/16 po et d'un tournevis cruciforme n° 3, serrez le bouchon et l'écrou du collier de serrage jusqu'à ce que les extrémités du collier soient à 3/16 po (5 mm) l'une de l'autre.

11. Pour des instructions sur la réinstallation de la lampe, se reporter à *Installation de l'ensemble de lampes, page 5*.





## Retrait et démontage de la lampe du spa

Les instructions suivantes s'appliquent uniquement aux lampes de spa Architectural IntelliBrite®.

Pour obtenir plus de renseignements à propos du retrait et du démontage de la lampe de piscine, reportez-vous à *Retrait et démontage de la lampe de la piscine*, page 10.

**DANGER**



### RISQUE DE CHOC ÉLECTRIQUE OU D'ÉLECTROCUTION

Débranchez toujours l'alimentation de la lampe au niveau du disjoncteur avant de procéder à l'entretien. Le non-respect de cette règle risque de provoquer des blessures graves, voire la mort, aux personnes responsables de l'installation, de l'entretien, aux utilisateurs de la piscine ou du spa ou autres à la suite d'une décharge électrique.

**MISE EN GARDE**

Il faut toujours installer un nouveau collier de serrage et une rondelle neuve lors du réassemblage de la lampe. Le non-respect des exigences en matière du remplacement de ces composants pourrait causer des fuites d'eau dans la lampe qui entraîneraient :

- une source de danger électrique pouvant provoquer des blessures graves, voire la mort, aux utilisateurs, aux installateurs ou autres à la suite d'un choc électrique;
- la rupture de la lampe ou de la lentille, ce qui pourrait également entraîner des blessures graves pour les utilisateurs de la piscine ou du spa, les installateurs ou d'autres personnes, ou des dommages matériels.

- Couper toute alimentation électrique de la lampe au panneau des disjoncteurs et mettre l'interrupteur de la lampe en position OFF (hors tension).**

**Remarque :** NE PAS effectuer un entretien de la lampe lorsque vous êtes dans le spa.

- Avant de démonter la lampe, assurez-vous d'avoir un nouveau joint d'étanchéité et un nouveau collier de serrage prêts pour le remontage.
- À l'aide d'un tournevis cruciforme n° 2, desserrez la vis guide située dans le haut de l'anneau frontal.

**Remarque :** NE PAS retirer la vis guide de l'anneau frontal.

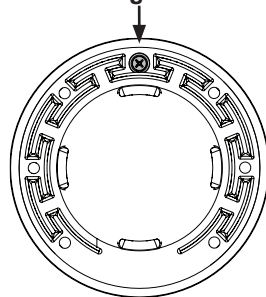
- Retirez l'ensemble de la lumière de la niche et placez l'ensemble sur la plateforme du spa.

**Remarque :** Il n'est pas nécessaire de vider le spa avant de retirer la lampe.

- Déposez un chiffon propre sur le sol.
- Faites pivoter la lampe et déposez la lentille sur le chiffon propre.

– Passer à la page suivante –

Vis guide



## Retrait et démontage de la lampe de spa (suite)

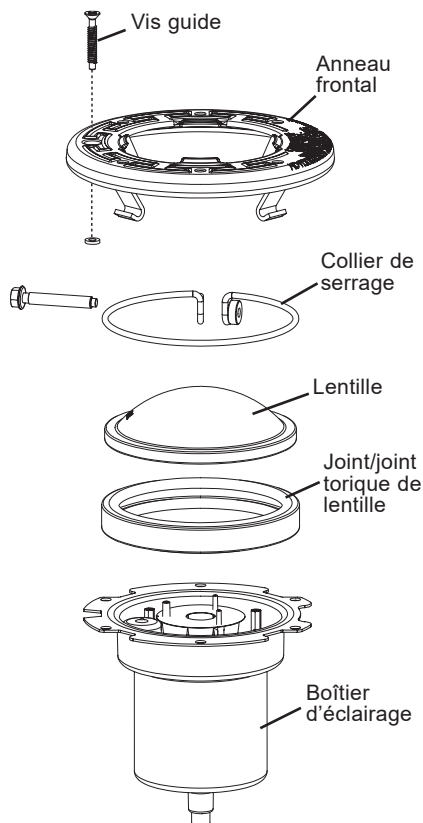
7. À l'aide d'une clé ouverte ou réglable de 7/16 po et d'un tournevis cruciforme n° 3, desserrez le boulon qui tend le collier de serrage.

**Remarque :** Retirez la quincaillerie de serrage avec précaution. Le collier de serrage relâchera une faible tension lorsque l'écrou atteindra l'extrémité du boulon.

8. Jetez le collier de serrage et la quincaillerie de serrage.
9. Soulevez et retirez le boîtier d'éclairage de la lentille et de l'anneau frontal. Mettez le boîtier d'éclairage de côté.
10. Soulevez et retirez la lentille de l'anneau frontal et mettez-la de côté.
11. Retirez le joint d'étanchéité de la lentille.
12. Jetez le joint d'étanchéité.

**Remarque :** UTILISEZ TOUJOURS UN NOUVEAU JOINT D'ÉTANCHEITÉ POUR LA LENTILLE ET UN NOUVEAU COLLIER DE SERRAGE LORS DU RÉASSEMBLAGE DE LA LAMPE. Se reporter à, *Pièces de rechange pour lampe de spa 12 V* à la page 20, ou à *Pièces de rechange pour lampe de spa 120 V* à la page 21.

13. Pour réassembler la lampe, passez à la section *Réassemblage de la lampe de spa* à la page suivante.



## Réassemblage de la lampe de spa



**MISE EN GARDE** Il faut toujours installer un nouveau collier de serrage et une rondelle neuve lors du réassemblage de la lampe. Le non-respect des exigences en matière du remplacement de ces composants pourrait causer des fuites d'eau dans la lampe qui entraîneraient :

- une source de danger électrique pouvant provoquer des blessures graves, voire la mort, aux utilisateurs, aux installateurs ou autres à la suite d'un choc électrique;
- la rupture de la lampe ou de la lentille, ce qui pourrait également entraîner des blessures graves pour les utilisateurs de la piscine ou du spa, les installateurs ou d'autres personnes, ou des dommages matériels.

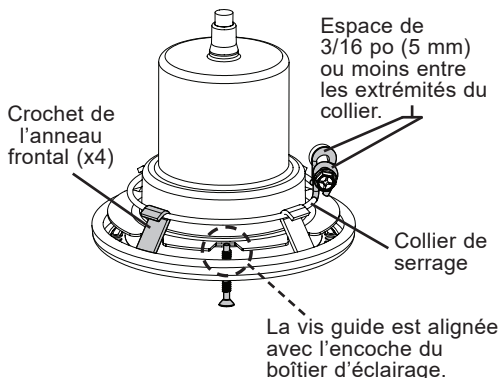
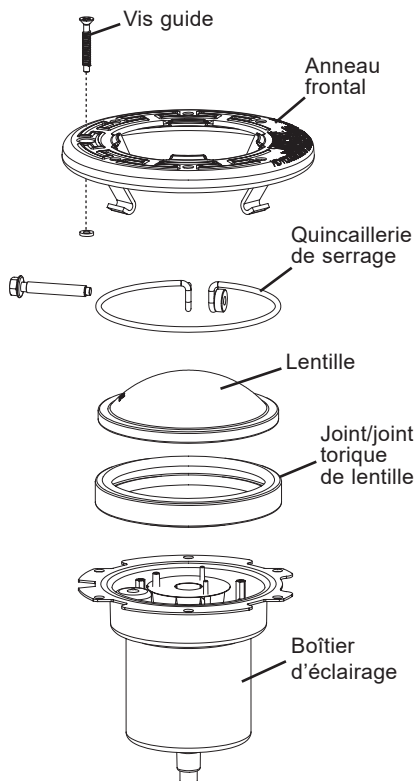
- Assurez-vous que le joint torique noir de la lentille est placé à l'intérieur du joint orange de la lentille.
- Tendez le joint autour du bord extérieur de la lentille, en vous assurant que le côté marqué « TOP » est positionné sur le côté supérieur prévu de la lumière.

**Remarque :** Assurez-vous que le joint d'étanchéité de la lentille est installé de manière uniforme autour de la lentille.

- Placez la lentille/le joint d'étanchéité sur le boîtier d'éclairage.
- Placez l'anneau frontal sur le dessus de la lentille/du joint/du boîtier.
- Faites tourner l'anneau frontal jusqu'à ce que la vis guide soit alignée avec l'encoche du bord intérieur du boîtier d'éclairage.
- Avec les extrémités crochues du collier de serrage orientées à l'opposé de la lentille/du boîtier, placez le collier de serrage dans les quatre crochets de l'anneau frontal à l'arrière de celui-ci.

**Remarque :** Assurez-vous que le collier est maintenu par les quatre crochets. Cela garantit une bonne étanchéité entre le joint et l'anneau frontal.

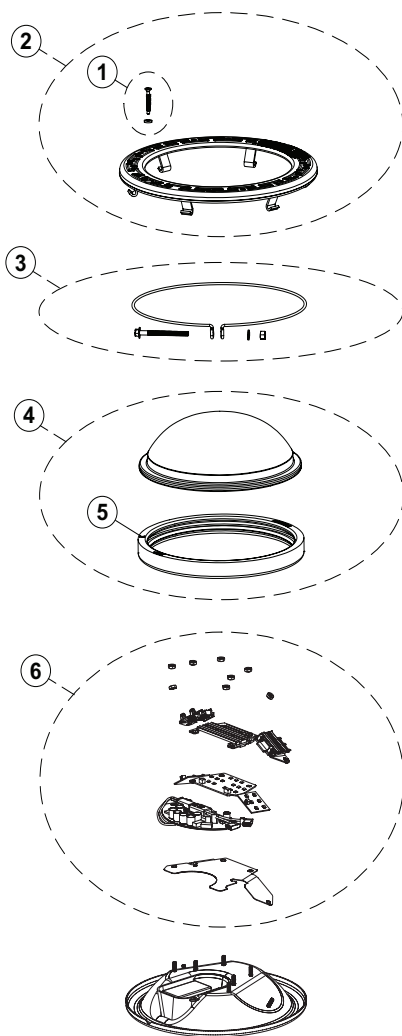
- Placez le boulon de blocage à travers les deux extrémités du collier de serrage.
- Vissez la rondelle et l'écrou sur le boulon.
- À l'aide d'une clé ouverte ou réglable de 7/16 po et d'un tournevis cruciforme n° 3, serrez le boulon et l'écrou du collier de serrage jusqu'à ce que les extrémités du collier soient à 3/16 po (5 mm) l'une de l'autre.
- Pour des instructions sur la réinstallation de la lampe, se reporter à *Installation de l'ensemble de lampes*, page 5.



# PIÈCES DE RECHANGE

## Pièces de rechange pour lampe de piscine 12 V

ARTICLE	N° DE PIÈCE	DESCRIPTION
1	79104800z	Vis guide, laiton
	619355z	Vis de guidage, acier inoxydable
2	79110600	Trousse d'anneau frontal
3	79111000	Trousse de collier de serrage
4	602168	Trousse de lentille
5	620400z	Joint d'étanchéité
6	618091z	Trousse de panneau à DEL, 300 W, blanc
	618090z	Trousse de panneau à DEL, 500 W, blanc
	618092z	Trousse de panneau à DEL, couleur
	618137z	Trousse de panneau à DEL, RVB/Bleu royal
	618135z	Trousse de panneau à DEL, blanc chaud
	618136z	Trousse de panneau à DEL, tortue
-	618085	Ensemble de fusible
-	Voir ci-dessous	Ensemble de lampe



### ENSEMBLE DE LAMPE BLANCHE

MODÈLE	WATTS	LONGUEUR DU CORDON
602143	300 W	30 pi (9,2 m)
602144		50 pi (15,2 m)
602145		100 pi (30,5 m)
602146		150 pi (45,7 m)
602139	500 W	30 pi (9,2 m)
602140		50 pi (15,2 m)
602141		100 pi (30,5 m)
602142		150 pi (45,7 m)

### BLANC CHAUD/LAMPE POUR TORTUES

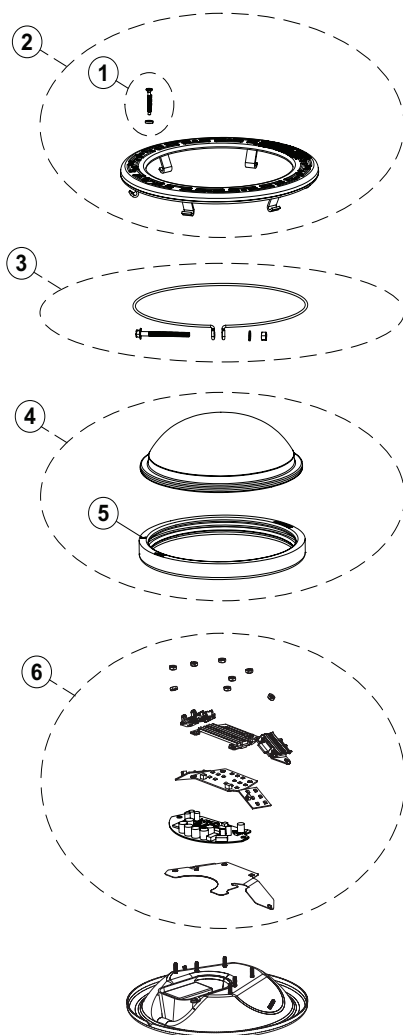
MODÈLE	LONGUEUR DU CORDON
602147	30 pi (9,2 m)
602148	50 pi (15,2 m)
602149	100 pi (30,5 m)
602150	150 pi (45,7 m)
602236	150 pi (45,7 m)

### ENSEMBLE DE LAMPE DE COULEUR

MODÈLE	LONGUEUR DU CORDON
602151	30 pi (9,2 m)
602152	50 pi (15,2 m)
602153	100 pi (30,5 m)
602154	150 pi (45,7 m)

## Pièces de rechange pour lampe de piscine 120 V

ARTICLE	N° DE PIÈCE	DESCRIPTION
1	79104800z	Vis guide, laiton
	619355z	Vis de guidage, acier inoxydable
2	79110600	Trousse d'anneau frontal
3	79111000	Trousse de collier de serrage
4	602168	Trousse de lentille
5	620400z	Joint d'étanchéité
6	618091z	Trousse de panneau à DEL, 300 W, blanc
	618090z	Trousse de panneau à DEL, 500 W, blanc
	618092z	Trousse de panneau à DEL, couleur
	618137z	Trousse de panneau à DEL, RVB/Bleu royal
	618135z	Trousse de panneau à DEL, blanc chaud
	618136z	Trousse de panneau à DEL, tortue
-	Voir ci-dessous	Ensemble de lampe



ENSEMBLE DE LAMPE BLANCHE		
MODÈLE	WATTS	LONGUEUR DU CORDON
602181	300 W	30 pi (9,2 m)
602182		50 pi (15,2 m)
602183		100 pi (30,5 m)
602184		150 pi (45,7 m)
602207		250 pi (76,2 m)
602177	500 W	30 pi (9,2 m)
602178		50 pi (15,2 m)
602179		100 pi (30,5 m)
602180		150 pi (45,7 m)
602208		250 pi (76,2 m)

BLANC CHAUD/LAMPE POUR TORTUES	
MODÈLE	LONGUEUR DU CORDON
602189	30 pi (9,2 m)
602190	50 pi (15,2 m)
602191	100 pi (30,5 m)
602192	150 pi (45,7 m)
602221	250 pi (76,2 m)
602223	150 pi (45,7 m)

ENSEMBLE DE LAMPE DE COULEUR	
MODÈLE	LONGUEUR DU CORDON
602185	30 pi (9,2 m)
602186	50 pi (15,2 m)
602187	100 pi (30,5 m)
602188	150 pi (45,7 m)
602206	250 pi (76,2 m)

## Pièces de rechange pour lampe de spa 12 V

ARTICLE	N° DE PIÈCE	DESCRIPTION
1	79111600	Trousse d'anneau frontal
2	79104800z	Vis guide, laiton
	619355z	Vis de guidage, acier inoxydable
3	79210400	Trousse de collier de serrage
4	602176	Trousse de lentille
5	79108600z	Trousse de joints d'étanchéité
-	Voir ci-dessous	Ensemble de lampe

### ENSEMBLE DE LAMPE BLANCHE

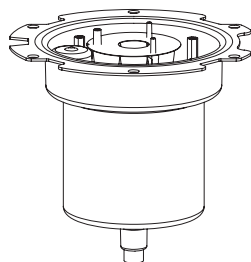
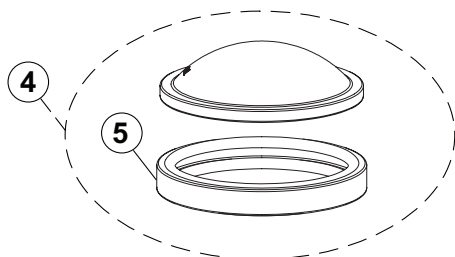
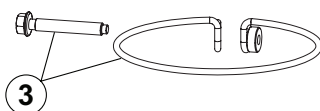
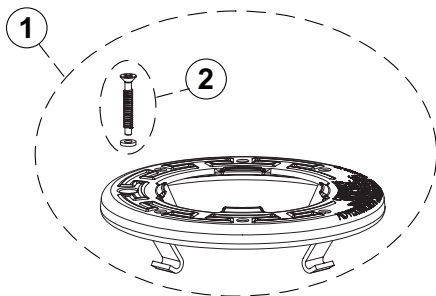
MODÈLE	LONGUEUR DU CORDON
618015	30 pi (9,2 m)
618016	50 pi (15,2 m)
618017	100 pi (30,5 m)
618018	150 pi (45,7 m)

### BLANC CHAUD/LAMPE POUR TORTUES

MODÈLE	LONGUEUR DU CORDON
602238	30 pi (9,2 m)
602239	50 pi (15,2 m)
602240	100 pi (30,5 m)
602241	150 pi (45,7 m)
602242	150 pi (45,7 m)

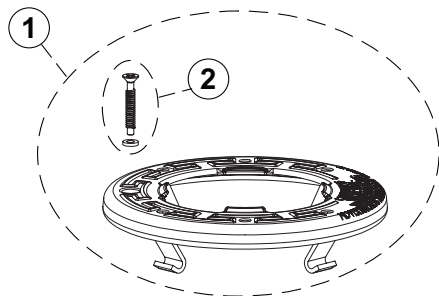
### ENSEMBLE DE LAMPE DE COULEUR

MODÈLE	LONGUEUR DU CORDON
602197	30 pi (9,2 m)
602198	50 pi (15,2 m)
602199	100 pi (30,5 m)
602200	150 pi (45,7 m)
602248 (bleu royal)	150 pi (45,7 m)

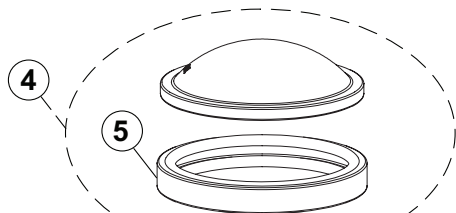
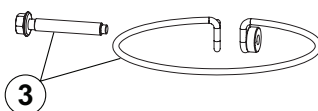


## Pièces de rechange pour lampe de spa 120 V

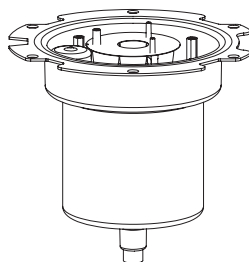
ARTICLE	N° DE PIÈCE	DESCRIPTION
1	79111600	Trousse d'anneau frontal
2	79104800z	Vis guide, laiton
	619355z	Vis de guidage, acier inoxydable
3	79210400	Trousse de collier de serrage
4	602176	Trousse de lentille
5	79108600z	Trousse de joints d'étanchéité
-	Voir ci-dessous	Ensemble de lampe



ENSEMBLE DE LAMPE BLANCHE	
MODÈLE	LONGUEUR DU CORDON
602193	30 pi (9,2 m)
602194	50 pi (15,2 m)
602195	100 pi (30,5 m)
602196	150 pi (45,7 m)
602209	250 pi (76,2 m)



BLANC CHAUD/LAMPE POUR TORTUES	
MODÈLE	LONGUEUR DU CORDON
602225	30 pi (9,2 m)
602226	50 pi (15,2 m)
602227	100 pi (30,5 m)
602228	150 pi (45,7 m)
602229	250 pi (76,2 m)
602231	150 pi (45,7 m)



ENSEMBLE DE LAMPE DE COULEUR	
MODÈLE	LONGUEUR DU CORDON
602201	30 pi (9,2 m)
602202	50 pi (15,2 m)
602203	100 pi (30,5 m)
602204	150 pi (45,7 m)
602205	250 pi (76,2 m)
602249 (bleu royal)	150 pi (45,7 m)



1620 HAWKINS AVE., SANFORD, NC 27330 • 919 566-8000  
10951 WEST LOS ANGELES AVE., MOORPARK, CA 93021 • 805 553-5000

Toutes les marques de commerce et tous les logos Pentair indiqués appartiennent à Pentair.  
Les marques de commerce et les logos déposés et non déposés de tiers appartiennent à leurs propriétaires respectifs.

© 2023 Pentair. Tous droits réservés. [WWW.PENTAIR.COM](http://WWW.PENTAIR.COM)



N° de pièce 618070 RÉV. A 6/2/23