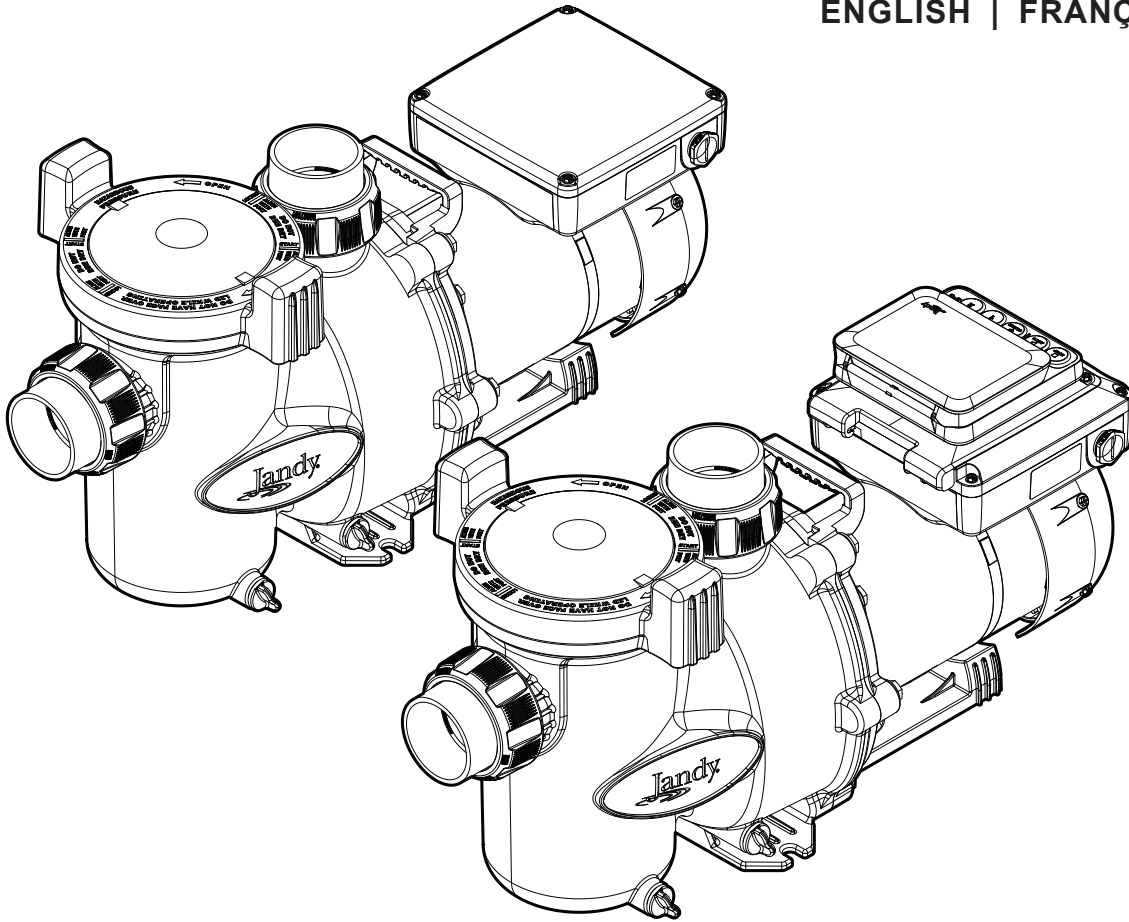




INSTALLATION AND OPERATION MANUAL

ENGLISH | FRANÇAIS | ESPAÑOL



Jandy Variable-Speed Pumps

VSFHP130DV	VSFHP130DVS
VSFHP165DV	VSFHP165DVS
VSFHP185DV	VSFHP185DVS



! WARNING

FOR YOUR SAFETY - This product must be installed and serviced by a contractor who is licensed and qualified in pool equipment by the jurisdiction in which the product will be installed where such state or local requirements exist. The maintainer must be a professional with sufficient experience in pool equipment installation and maintenance so that all of the instructions in this manual can be followed exactly. Before installing this product, read and follow all warning notices and instructions that accompany this product. Failure to follow warning notices and instructions may result in property damage, personal injury, or death. Improper installation and/or operation may void the warranty. **DO NOT MODIFY THIS EQUIPMENT.**



Improper installation and/or operation can create unwanted electrical hazard which can cause serious injury, property damage, or death.

ATTENTION INSTALLER - This manual contains important information about the installation, operation and safe use of this product. This information should be given to the owner/operator of this equipment.

Table of Contents

Section 1. Important Safety Instructions 3	Section 5. Service & Maintenance 17
1.1 Safety Instructions..... 3	5.1 Removing the Pump Lid 17
1.2 Pool Pump Suction Entrapment Prevention Guidelines 5	5.2 Winterizing the Pump 18
Section 2. General Description 6	Section 6. Troubleshooting and Repair..... 19
2.1 Introduction..... 6	6.1 Service Technician Maintenance 20
2.2 Product Dimensions 6	Section 7. Product Specifications and Technical Data 21
2.3 Product Specifications 7	7.1 Exploded Views 21
2.4 Product Contents..... 7	7.2 Performance Curves 22
Section 3. Installation Information..... 9	
3.1 Plumbing 9	
3.2 Electrical Installation.....11	
3.3 Pump DIP Switch Settings..... 14	
3.4 Conduct Pressure Test 15	
Section 4. Operation..... 16	
4.1 Start-up..... 16	

EQUIPMENT INFORMATION RECORD	
DATE OF INSTALLATION	_____
INSTALLER INFORMATION	_____
INITIAL PRESSURE GAUGE READING (WITH CLEAR FILTER)	_____
PUMP MODEL	HORSEPOWER
_____	_____
NOTES:	

Section 1. Important Safety Instructions

READ AND FOLLOW ALL INSTRUCTIONS

1.1 Safety Instructions

All electrical work must be performed by a licensed electrician and conform to all national, state, and local codes. When installing and using this electrical equipment, basic safety precautions should always be followed, including the following:

⚠ WARNING

RISK OF SUCTION ENTRAPMENT HAZARD, WHICH, IF NOT AVOIDED, CAN RESULT IN SERIOUS INJURY OR DEATH. Do not block pump suction, as this can cause severe injury or death. Do not use this pump for wading pools, shallow pools, or spas containing bottom drains, unless the pump is connected to at least two (2) functioning suction outlets. Suction outlet (drain) assemblies and their covers must be certified to the latest published edition of ANSI®/ASME® A112.19.8, or its successor standard, ANSI/APSP-16.

⚠ WARNING

To reduce the risk of injury, do not permit children to use this product.

⚠ WARNING

To reduce the risk of property damage or injury, do not attempt to change the backwash (multiport, slide, or full flow) valve position with the pump running.

⚠ WARNING

Jandy pumps are powered by a high voltage electric motor and must be installed by a licensed or certified electrician or a qualified swimming pool service technician.

⚠ WARNING

Due to the potential risk of fire, electric shock, or injuries to persons, Jandy pumps must be installed in accordance with the National Electrical Code® (NEC®), all local electrical and safety codes, and the Occupational Safety and Health Act (OSHA). Copies of the NEC may be ordered from the National Fire Protection Association, 1 Batterymarch Park, Quincy, MA 02169, or from your local government inspection agency.

⚠ WARNING

RISK OF ELECTRIC SHOCK, FIRE, PERSONAL INJURY, OR DEATH. (For all permanently installed units intended for use on 15 or 20 ampere, 120 through 240 volt, single phase branch circuits). Connect only to a branch circuit that is protected by a ground-fault circuit-interrupter protection for personnel (GFCI). Contact a qualified electrician if you cannot verify that the circuit is protected by a GFCI. A GFCI should be provided by the installer and should be tested on a routine basis. To test the GFCI, push the test button. The GFCI should interrupt power. Push the reset button. Power should be restored. If the GFCI fails to operate in this manner, the GFCI is defective. If the GFCI interrupts power to the pump without the test button being pushed, a ground current is flowing, indicating the possibility of electrical shock. Do not use the device. Disconnect the device and have the problem corrected by a qualified service representative before using.

⚠ WARNING

Incorrectly installed equipment may fail, causing severe injury or property damage.

 **WARNING**

- Do not connect the system to an unregulated city water system or other external source of pressurized water producing pressures greater than 35 PSI.
- Trapped air in system can cause the filter lid to be blown off, which can result in death, serious personal injury, or property damage. Be sure all air is out of the system before operating.

 **WARNING**

To minimize the risk of severe injury or death, the filter and/or pump should not be subjected to the piping system pressurization test.

Local codes may require the pool piping system to be subjected to a pressure test. These requirements are generally not intended to apply to the pool equipment such as filters or pumps.

Zodiac® pool equipment is pressure tested at the factory.

However, if the WARNING cannot be followed and pressure testing of the piping system must include the filter and/or pump, **BE SURE TO COMPLY WITH THE FOLLOWING SAFETY INSTRUCTIONS:**

- Check all clamps, bolts, lids, lock rings and system accessories to ensure they are properly installed and secured before testing.
- **RELEASE ALL AIR** in the system before testing.
- Water pressure for test must **NOT EXCEED 35 PSI**.
- Water temperature for test must **NOT EXCEED 100°F (38°C)**.
- Limit test to 24 hours. After test, visually check system to be sure it is ready for operation.

NOTICE: These parameters apply to Zodiac equipment only. For non-Zodiac equipment, consult equipment manufacturer.

 **WARNING**

Chemical spills and fumes can weaken pool/spa equipment. Corrosion can cause filters and other equipment to fail, resulting in severe injury or property damage. Do not store pool chemicals near your equipment.

 **CAUTION**

Do not start pump dry! Running the pump dry for any length of time will cause severe damage and may void the warranty.

 **CAUTION**

This pump is for use with permanently installed pools and may also be used with hot tubs and spas, if so marked. Do not use with storable pools. A permanently installed pool is constructed in or on the ground or in a building such that it cannot be readily disassembled for storage. A storable pool is constructed so that it may be readily disassembled for storage and reassembled to its original integrity.

 **CAUTION**

Do not install within an outer enclosure or beneath the skirt of a hot tub. The pump requires adequate ventilation to maintain air temperature at less than the maximum ambient temperature rating listed on the motor rating plate.

 **CAUTION**

In order to avoid premature failure or damage to the pump motor, protect the pump from direct water exposure from sprinklers, water runoff from rooftops and drainage, etc. Failure to comply may cause pump failure, and may void the warranty.

SAVE THESE INSTRUCTIONS

1.2 Pool Pump Suction Entrapment Prevention Guidelines



⚠ WARNING

SUCTION HAZARD. Can cause serious injury or death. Do not use this pump for wading pools, shallow pools or spas containing bottom drains, unless the pump is connected to at least two (2) functioning suction outlets.

⚠ WARNING

Pump suction is hazardous and can trap and drown or disembowel bathers. Do not use or operate swimming pools, spas, or hot tubs if a suction outlet cover is missing, broken, or loose. The following guidelines provide information for pump installation that minimizes risk of injury to users of pools, spas, and hot tubs:

Entrapment Protection - The pump suction system must provide protection against the hazards of suction entrapment.

Suction Outlet Covers - All suction outlets must have correctly installed, screw-fastened covers in place. All suction outlet (drain) covers must be properly maintained. They must be replaced if cracked, broken, or missing. Drain covers must be listed/certified to the latest published edition of ANSI®/ASME® A112.19.8 or its successor standard, ANSI/APSP-16. The pool must be shut down and bathers must be restricted from entering the pool until any cracked, broken, or missing drain covers are replaced.

Number of Suction Outlets Per Pump - Provide at least two (2) hydraulically-balanced suction outlets, with covers, as suction outlets for each circulating pump suction line. The centers of the suction outlets (suction outlets) on any one (1) suction line must be at least three (3) feet apart, center to center. See Figure 1.

The system **must** be built to include at least two (2) suction outlets (drains) connected to the pump whenever the pump is running. However, if two (2) suction outlets run into a single suction line, the single suction line may be equipped with a valve that will shut off both suction outlets from the pump. The system shall be constructed such that it shall not allow for separate or independent shutoff or isolation of each drain. See Figure 1.

Additional pumps can be connected to a single suction line as long as the requirements above are met.

Water Velocity - The maximum water velocity through the suction outlet assembly and its cover for any suction outlet must not exceed the suction outlet assembly and its cover's maximum design flow rate. The suction outlet (drain) assembly and its cover must comply with the latest version of ANSI®/ASME® A112.19.8, the standard for Suction Fittings For Use in Swimming Pools, Wading Pools, Spas, and Hot Tubs, or its successor standard, ANSI/ASME APSP-16.

Testing and Certification - Suction outlet covers must have been tested by a nationally recognized testing laboratory and found to comply with the latest published edition of ANSI/ASME A112.19.8 or its successor standard, ANSI/APSP-16, the standard for *Suction Fittings For Use in Swimming pools, Wading Pools, Spas, and Hot Tubs*.

Fittings - Fittings restrict flow; for best efficiency use fewest possible fittings (but at least two (2) suction outlets).

Avoid fittings that could cause an air trap.

Pool cleaner suction fittings must conform to applicable International Association of Plumbing and Mechanical Officials (IAPMO) standards.

Section 2. General Description

2.1 Introduction

Jandy® Variable Speed Pumps can be run from 600 RPM to 3450 RPM. This allows you to select the most appropriate speed for your application. The pumps are compatible with all Jandy controllers and Zodiac® automation systems. The pump is driven by a variable speed ECM (Electronically Commutated Motor) directly attached to the pump impeller. The motor spins the impeller which forces water to flow through the pump. As the speed of the motor is varied, the flow through the pump is also varied. The adjustable flow rate allows for optimization of flow during the varying pump cycle requirements. As a result, the energy efficiency of the pump is maximized resulting in cost savings to the pool owner while also helping to save the environment.

This manual contains information for the proper installation, operation, and maintenance of specific Jandy variable-speed pumps. Procedures in this manual must be followed exactly. To obtain additional copies of this manual, visit Jandy.com.

2.2 Product Dimensions

NOTE When installing a pump, leave a minimum of two (2) feet (30 cm) of clearance above the pump for removal of the strainer basket.

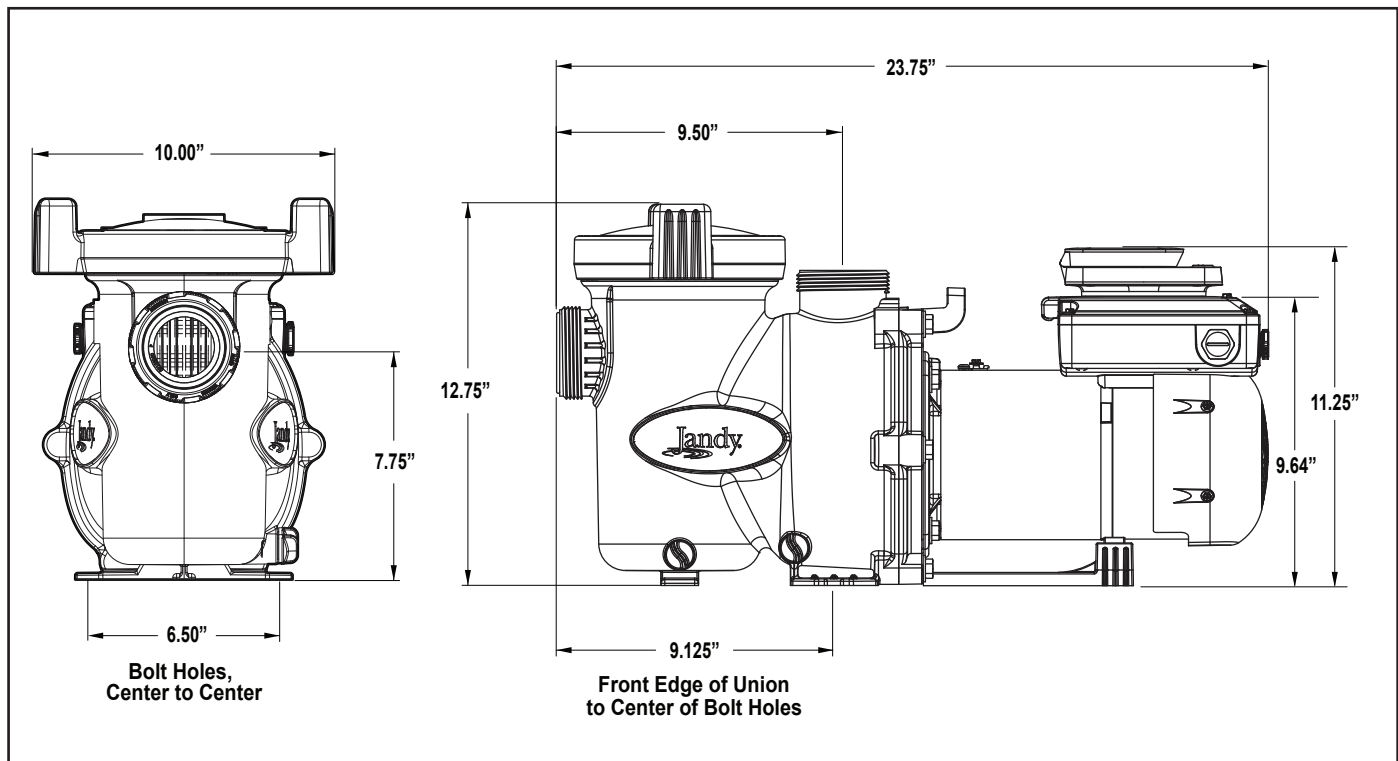


Figure 1. Variable-Speed Pump Dimensions

2.3 Product Specifications

2.3.1 Specifications

Model No.	THP	WEF	Voltage	Max Watts	Max Amps	Union Size	Weight
VSFHP130DV(S)	1.30	11.0 10.9	230 VAC 115 VAC	1100	8.6 15.6	2"	39.3 lb [17.8 kg]
VSFHP165DV(S)	1.65	9.0 9.1	230 VAC 115 VAC	1700	10.5 17.7	2"	39.3 lb [17.8 kg]
VSFHP185DV(S)	2.25	8.2 8.6	230 VAC 115 VAC	1875	13.5 17.4	2"	40.4 lb [18.3 kg]

2.4 Product Contents

ITEM	DESCRIPTION
1	Variable Speed Pump
2	Installation and Operation Manual
3	Large Drawstring Bag
4	Union Nut (2)
5	Tailpiece (2)
6	O-Ring (2)
7	4-Conductor Cable
8	Small Adjustable Base w/Spacers
9	Large Adjustable Base (Optional R0546400)
10	Speedset Variable-Speed Pump Controller

Model No.	1	2	3	4	5	6	7	8	9	10
VSFHP130DV	●	●	●	●	●	●	●	●	Optional	N/A
VSFHP130DVS	●	●	●	●	●	●	●	●	Optional	●
VSFHP165DV	●	●	●	●	●	●	●	●	Optional	N/A
VSFHP165DVS	●	●	●	●	●	●	●	●	Optional	●
VSFHP185DV	●	●	●	●	●	●	●	●	Optional	N/A
VSFHP185DVS	●	●	●	●	●	●	●	●	Optional	●

Figure 2. Variable-Speed Pump Carton Contents

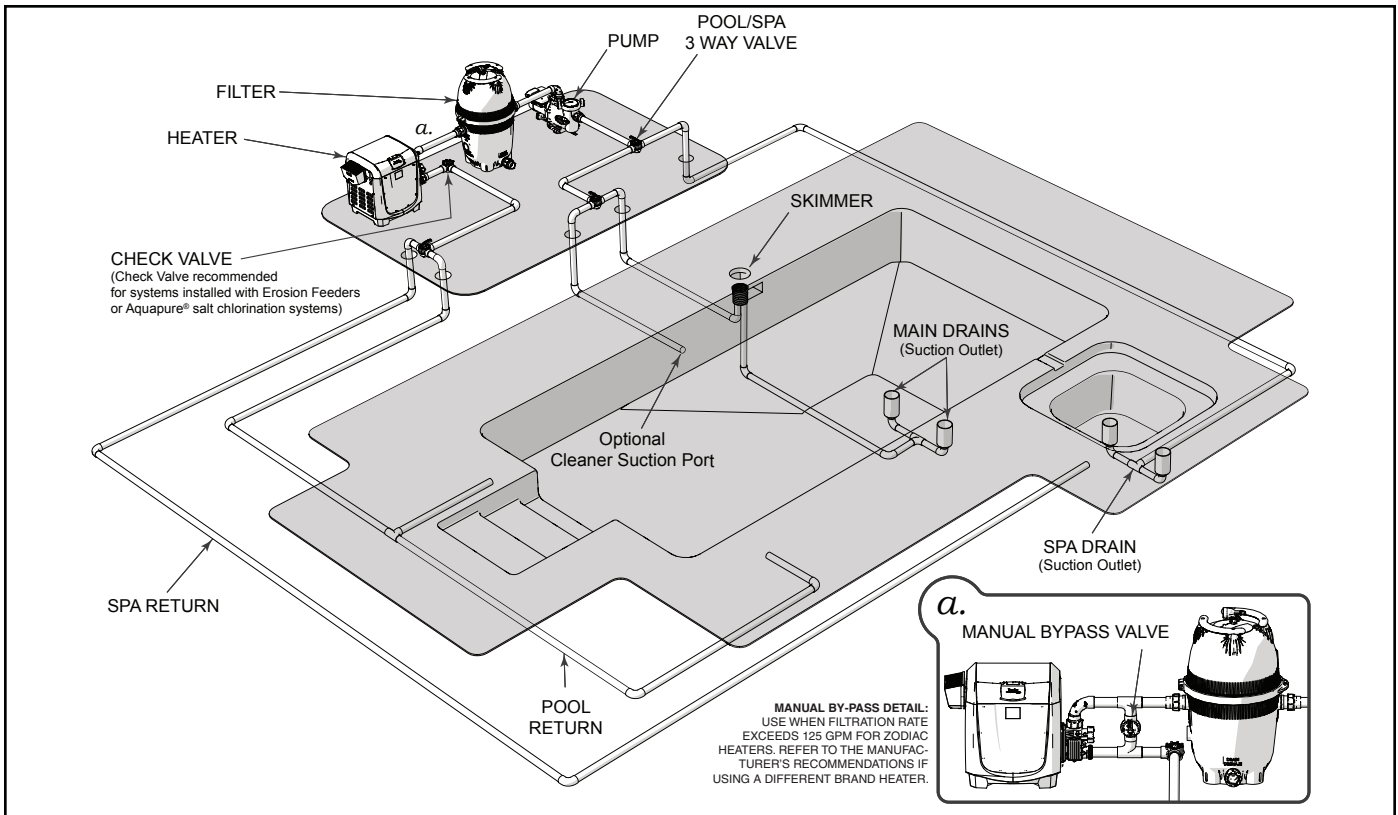


Figure 3. Typical Piping Installation

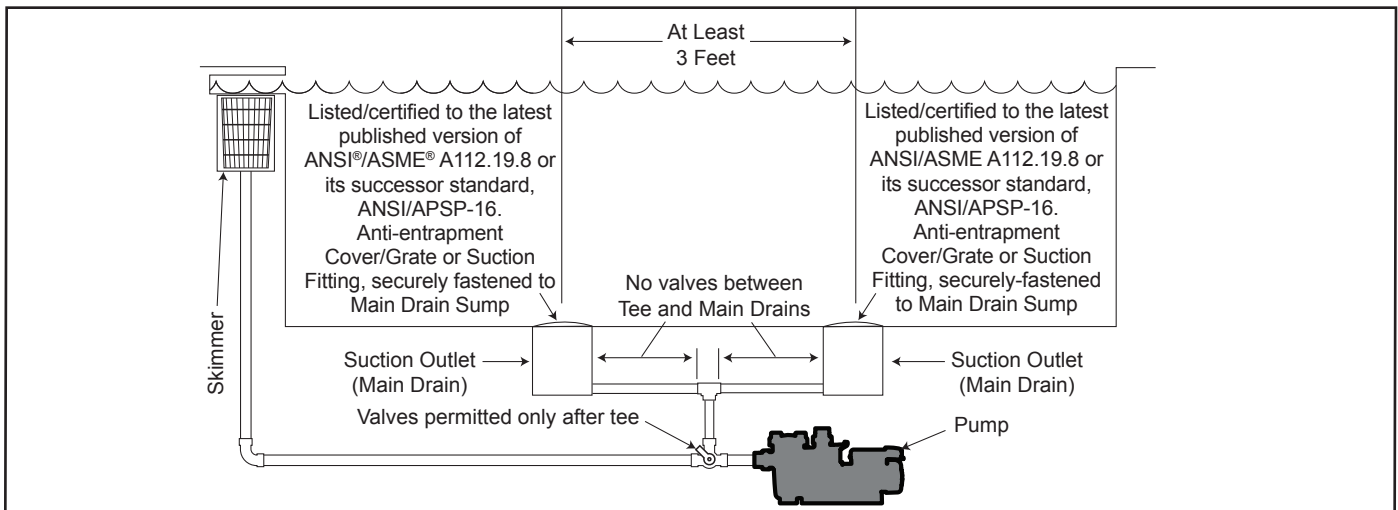


Figure 4. Number of Suction Outlets Per Pump

Section 3. Installation Information

3.1 Plumbing

3.1.1 Preparation Information

1. Check the pump carton for any damage. If any damage is found, contact the shipper or distributor where the pump was purchased.
2. Inspect the contents of the carton and verify that all parts are included.

3.1.2 Pump Location

Zodiac Pool Systems LLC recommends installing the pump within one foot (30 cm) above water level. The pump should not be elevated more than five feet (152 cm). If the pump is located below water level, isolation valves must be installed on both the suction and return lines to prevent back flow of pool water during any routine or required servicing.

⚠ WARNING

A check valve can interfere with the proper operation of certain Suction Vacuum Release System (SVRS) products. To avoid possible entrapment hazard, serious injury, or death, make sure to review the operation/owners manual of your particular SVRS product before installing the check valve.

⚠ WARNING

To Reduce the Risk of Fire, install pool equipment in an area where debris will not collect on or around the equipment. Keep surrounding area clear of all debris such as paper, leaves, pine needles and other combustible materials.

⚠ CAUTION

In order to avoid premature failure or damage to the pump motor, protect the pump from direct water exposure from sprinklers, water runoff from rooftops and drainage, etc. Failure to comply may cause pump failure, and may void the warranty.

NOTE: When the pool equipment is located below the pool surface a leak can result in large scale water loss or flooding. Zodiac Pool Systems LLC cannot be responsible for such water loss or flooding or damage caused by either occurrence.

1. Install the pump such that any disconnecting means and/or junction boxes for power connection are within sight of the pump and at least five feet horizontally from the edge of the pool and/or spa. Choose a location that will minimize pipe turns.

NOTE In Canada, the minimum distance maintained from the edge of the pool and/or spa as noted above must be 3 meters (10 feet), as required by the Canadian Electrical Code (CEC, CSA C22.1).

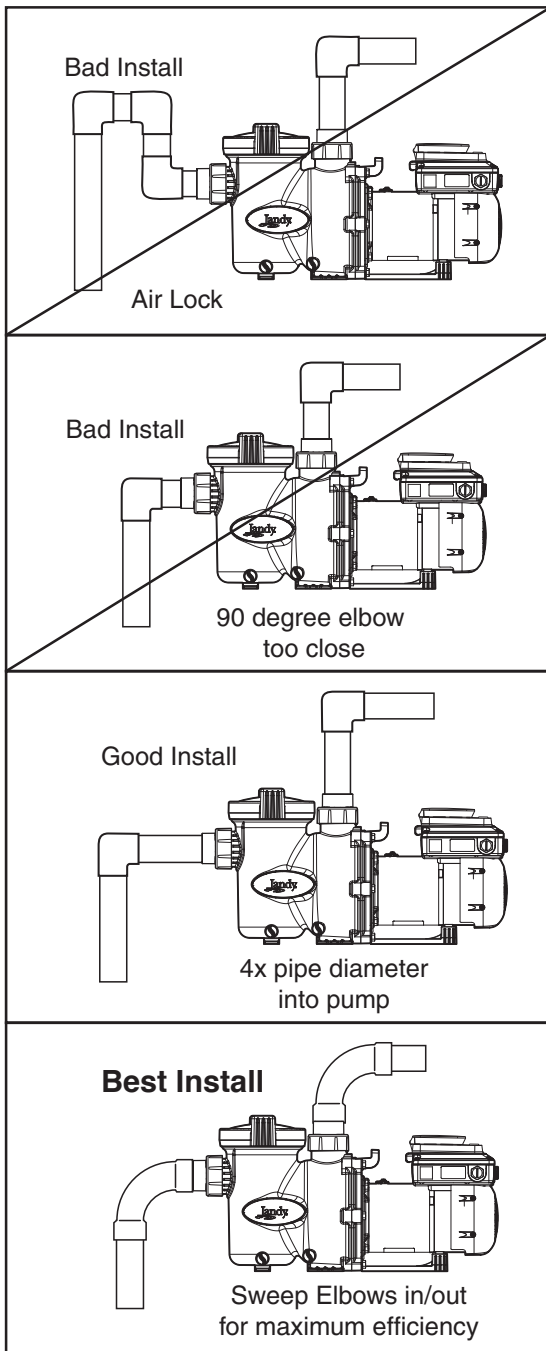
2. Place the pump on a solid foundation that will not vibrate. To further reduce the possibility of vibration noise, bolt the pump to the foundation.
3. Assure that the foundation has adequate drainage to prevent the pump motor from getting wet. The pump needs to be protected from the rain and sun.
4. Make sure the pump has the proper ventilation to prevent the motor from overheating.
5. Allow plenty of space for any maintenances by leaving a clear area around the pump.
6. Provide adequate lighting if the equipment is in a potentially dark area.

Pipe Size	Maximum Flow Suction (6 feet per second)	Maximum Flow Discharge (8 feet per second)
1½" (38 mm)	37 GPM (140 LPM)	50 GPM (189 LPM)
2" (51 mm)	62 GPM (235 LPM)	85 GPM (322 LPM)
2½" (64 mm)	88 GPM (333 LPM)	120 GPM (454 LPM)
3" (76 mm)	136 GPM (515 LPM)	184 GPM (697 LPM)
4" (102 mm)	234 GPM (886 LPM)	313 GPM (1185 LPM)

Table 1. Pipe Sizing Chart for Schedule 40 PVC

3.1.3 Installation Recommendations

1. To help prevent difficulty in priming, install the suction pipe without high points (above inlet of pump - inverted "U"s, commonly referred to in plumbing as an airlock) that can trap air. For installations of equipment up to 100 feet (30 m) from the water, refer to Table 1, the pipe sizing chart. For installations of equipment more than 100 feet (30 m) from the water, the recommended pipe size must be increased to the next size.



2. The unions on both the suction and discharge ports simplify installation and service while eliminating the possibility of leaks at threaded adapters.
3. The pump must be connected to at least two hydraulically-balanced main drains for each pool pump suction line. Each drain (suction outlet) assembly must be provided with covers and must be listed or certified to the latest published edition of ANSI®/ASME® A112.19.8, or its successor standard, ANSI/APSP-16. The suction fittings of the main drains must be at least three feet (1 m) apart or at different planes. The suction fittings can be a drain and skimmer, two drains, two skimmers, or a skimmer with an equalizer line installed. Check the local codes for proper installation.

NOTE To prevent entrapment, the system must be built so it cannot operate with the pump drawing water from only one main drain. At least two main drains must be connected to the pump when it is in operation. However, if two main drains run into a single suction line, the single suction line may be equipped with a valve that will shut off both main drains from the pump.

4. The piping must be well supported and not forced together where it will experience constant stress.
5. Always use properly sized valves. Jandy Diverter Valves and Ball Valves typically have the best flow capabilities.
6. Use the fewest possible fittings and limit the use of 90 degree elbows. Each additional fitting or length of pipe increases resistance to flow which makes the pump work harder.

NOTE If more than ten suction fittings are needed, the pipe size must be increased.

7. Every new installation must be pressure tested according to local codes.

3.1.4 Adjustable Bases (VS FloPro™ Models Only)

To replace an existing pump with different dimensions, use the adjustable bases to correctly align the suction and discharge ports with existing plumbing. The VS FloPro base and spacers increase the total height of the pump and the height of the suction side port of the pump. See Figure 5 and Table 3.

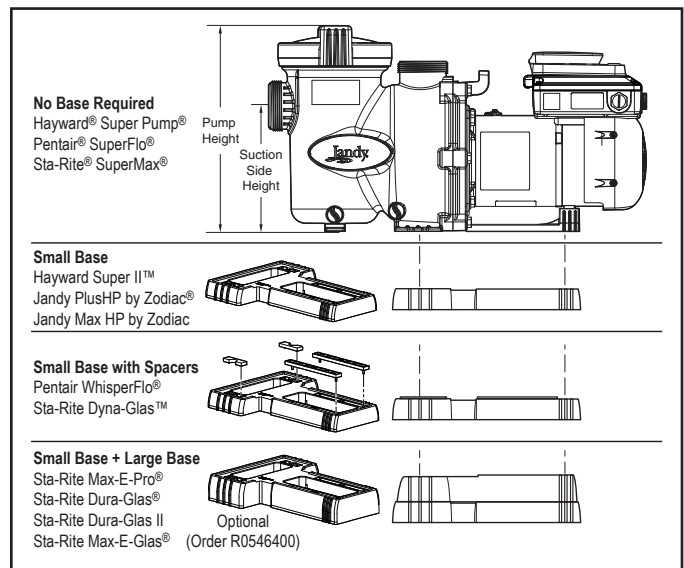


Figure 5. Base Configurations (VS FloPro Models Only)

Pump Model	Distance from Sub-Panel		0-50 feet (15 meters)		50-100 feet (15-30 meters)		100-200 feet (30-60 meters)	
	Inverse - Time Circuit Breaker or Branch Fuse AMPs Class: CC, G, H, J, K, RK, or T		Voltage		Voltage		Voltage	
	230 VAC	115 VAC	230 VAC	115 VAC	230 VAC	115 VAC	230 VAC	115 VAC
VSFHP130DV VSFHP130DVS	15A	20A	14 AWG (2.1mm ²)	12 AWG (3.3mm ²)	12 AWG (3.3mm ²)	10 AWG (5.3mm ²)	10 AWG (5.3mm ²)	6 AWG (5.3mm ²)
VSFHP165DV VSFHP165DVS	20A	30A	12 AWG	10 AWG	12 AWG	8 AWG	10 AWG	6 AWG
VSFHP185DV VSFHP185DVS	20A	30A	12 AWG	10 AWG	12 AWG	8 AWG	10 AWG	6 AWG

*Assumes three (3) copper conductors in a buried conduit and 3% maximum voltage loss in branch circuit. All National Electrical Code® (NEC®) and local codes must be followed. Table shows minimum wire size and branch fuse recommendations for a typical installation per NEC.

Table 2. Minimum Wire Size and Minimum Overcurrent Protection*

Base Configuration	Suction Side Height	Pump Height
1. Pump without Base	7 3/4"	12 3/4"
2. Pump with Base	8 7/8"	13 7/8"
3. Pump with Base and Spacers	9 1/8"	14 1/8"
4. Pump with Small + Large Base	10 3/4"	15 3/4"

Table 3. Adjustable Base Dimensions (VS FloPro™ Models Only)

- Using a hand cutter tool, cut the plastic bars connecting the top and bottom sets of spacers, as shown in Figure 6.
- Push the two top spacers and two bottom spacers out of the base.
- Align the pins in the four spacers with the holes in the base. Snap the spacers into place. See Figure 7.

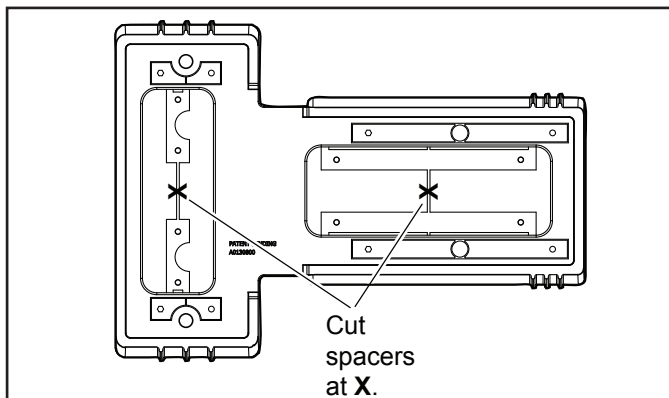


Figure 6. Cut Sets of Spacers Out of Base

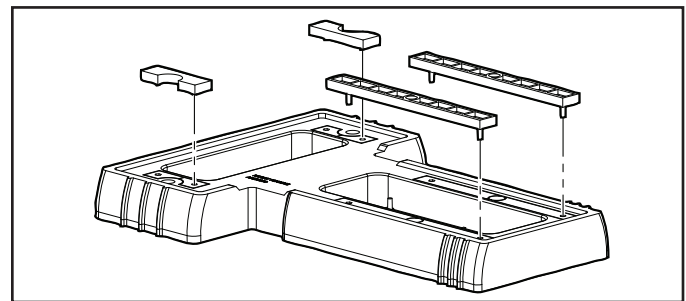


Figure 7. Snap Spacers into Place

3.2 Electrical Installation

3.2.1 Voltage Checks

The correct voltage, as specified on the pump data plate, is necessary for proper performance and long motor life. Incorrect voltage will decrease the pump’s ability to perform and could cause overheating, reduce the motor life, and result in higher electric bills.

It is the responsibility of the electrical installer to provide data plate operating voltage to the pump by ensuring proper circuit sizes and wire sizes for this specific application.

The National Electrical Code® (NEC®, NFPA-70®) requires all pool pump circuits be protected with a Ground Fault Interrupter (GFCI). Therefore, it is also the responsibility of the electrical installer to ensure that the pump circuit is in compliance with this and all other applicable requirements of the National Electrical Code (NEC) and any other applicable installation codes.

⚠ CAUTION

Failure to provide data plate voltage (+/- 10%) during operation will cause the motor to overheat and may void the warranty.

3.2.2 Bonding and Grounding

In addition to being properly grounded as described in the *Electrical Wiring* section, and in accordance with the requirements of the National Electrical Code (NEC), or in Canada the Canadian Electrical Code (CEC), the pump motor must be bonded to all metal parts of the swimming pool, spa or hot tub structure and to all electrical components and equipment associated with the pool/spa water circulation system. The bonding must be accomplished by using a solid copper conductor, No. 8 AWG or larger. In Canada No. 6 AWG or larger must be used. Bond the motor using the external bonding lug provided on the motor frame. See Figure 8.

National Electrical Code® (NEC®) requires bonding of the Pool Water. Where none of the bonded pool equipment, structures, or parts are in direct connection with the pool water; the pool water shall be in direct contact with an approved corrosion-resistant conductive surface that exposes no less than 5800 mm² (9 in²) of the surface area to the pool water at all times. The conductive surface shall be located where it is not exposed to physical damage or dislodgement during usual pool activities, and it shall be bonded in accordance with the bonding requirements of NEC Article 680. Refer to locally enforced codes for any additional bonding requirements.

⚠ WARNING

Always disconnect the power source before working on a motor or its connected load.

⚠ WARNING

Make sure that the control switch, time clock, or control system is installed in an accessible location, so that in the event of an equipment failure or a loose plumbing fitting, the equipment can be turned off. This location must not be in the same area as the pool pump, filter, and other equipment.

⚠ CAUTION

The pump must be permanently connected to a dedicated electrical circuit. No other equipment, lights, appliances, or outlets may be connected to the pump circuit.

3.2.3 Electrical Wiring

The Jandy pump models covered in this installation and operation manual provide separate compartments for high voltage and low voltage wiring.

The low voltage sections provides two (2) 1/2" NPT conduit ports (threaded). A liquid tight cord grip is included (see Figure 8).

The high voltage section provides two (2) 1/2" NPT conduit ports (threaded). Conduit fittings are not provided (see Figure 9).

1. Secure the pump using the green screw provided. Ground before attempting to connect to an electrical power supply. Do not ground to a gas supply line.
2. Wire size must be adequate to minimize voltage drop during the start-up and operation of the pump.
3. Insulate all connections carefully to prevent grounding or short-circuits. Sharp edges on terminals require extra protection. For safety, and to prevent entry of contaminants, reinstall all conduit and terminal box covers. Do not force connections into the conduit box.

NOTE When power alone is supplied to this pump, it will not operate. It requires a digital command sent to it by either a variable speed controller (SpeedSet, JEP-R, iQPUMP01), or an automation system (See Figures 8-9 for RS-485 wiring illustrations for a local controller or automation system.).

3.2.4 Pump Controller / Automation System Setup

Pumps in this manual are compatible with the following local Jandy controllers and automation systems:

- SpeedSet Controller (local)
- iQPUMP01 (local)
- JEP-R (local)
- All Jandy Automation Systems

Each motor is equipped with an auto-sensing power circuit which automatically determines if 10v of power should be supplied to the RS-485 wiring in order to power a local controller interface, or to suppress the 10v power supply when connected to a Jandy Automation System.

This auto sensing power circuit eliminates the need for Dip Switches 1-2 that are present on other Jandy Pumps.

Ensure power to the pump is disconnected and remove the access cover on the motor. Connect the RS-485 cable through the liquid tight cord grip fitting supplied as shown in Figure 8. Wire the cable to the RS-485 connector in order Red(1), Black(2), Yellow(3), Green(4). Secure the access cover back onto the motor and resupply power.

Refer to the user interface or automation system manual

for detailed instructions on installation and programming.

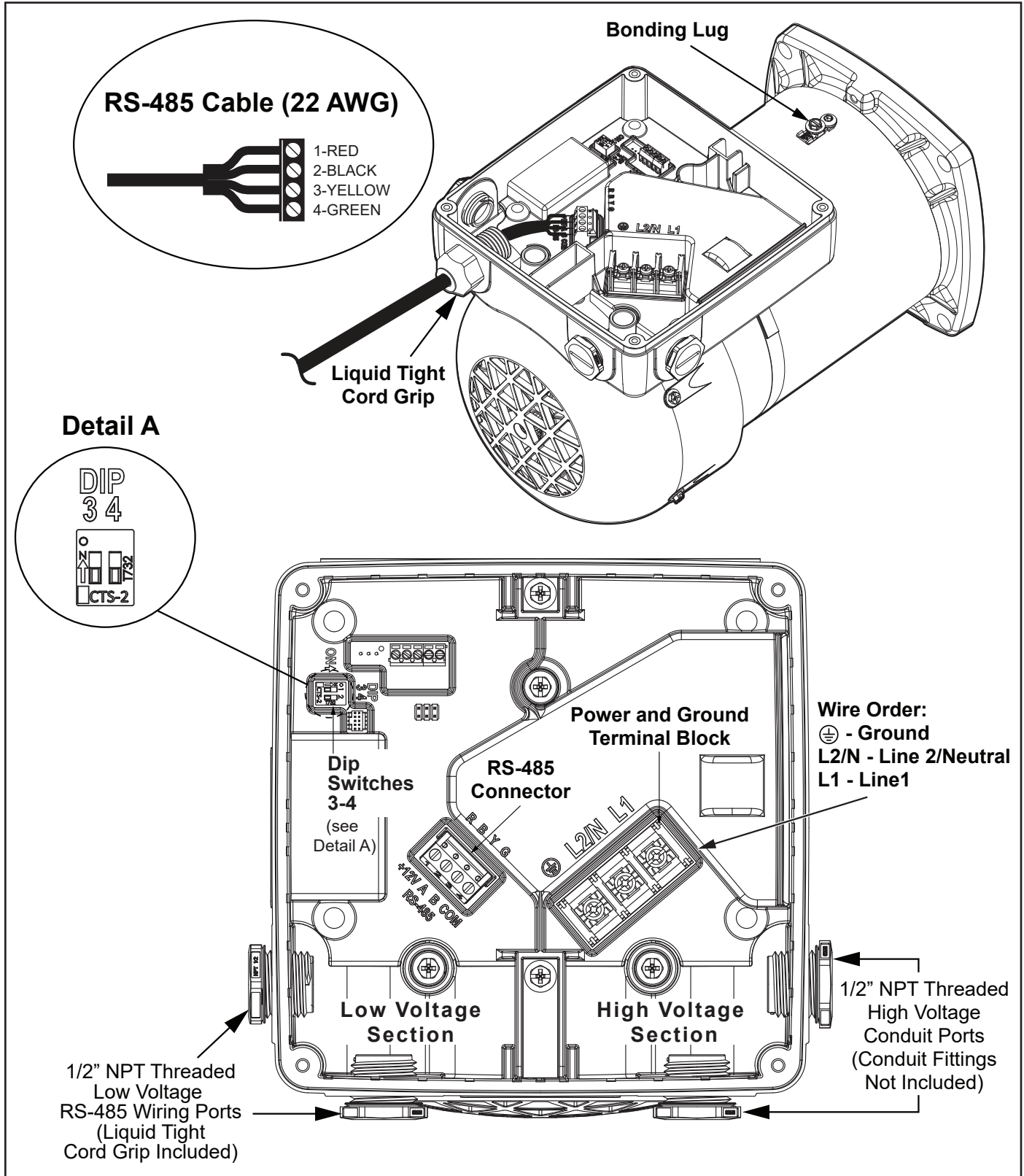


Figure 8. Wiring Diagram (115v/230v Main Power and RS-485 Connection)

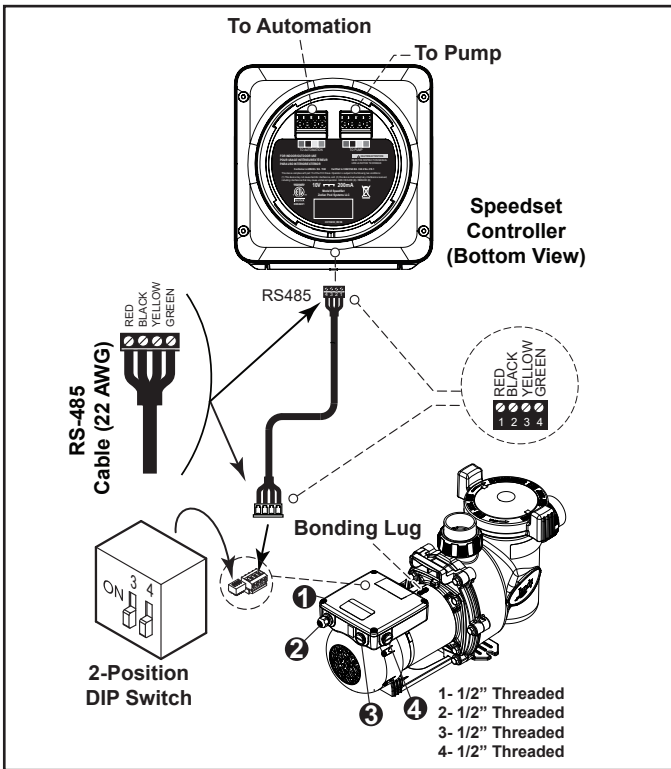


Figure 9. Wiring to a Controller

3.3 Pump DIP Switch Settings

3.3.1 DIP Switch Settings with Local Controller

Please refer to the following table for required settings for DIP switches 3-4 when the pump is connected to a local controller.

Controller	Switch	Pump Address
JEP-R	OFF	OFF
IQPUMP01	OFF	OFF
SpeedSet	DIP Switch 3-4 settings should both be OFF unless connected to a Jandy automation system using SpeedSet automation passthrough wiring connection on the bottom of the controller. If applicable, please see the following sections.	

Table 4. Local Controller DIP Switch Settings

3.3.2 DIP Switch Settings with Automation

DIP Switches 3-4 setting rules are not common across all Jandy automation systems. Read the following sections to understand the required settings.

For Jandy AquaLink RS Automation System users, a 2022 mid-year update alters the method in which pumps in this manual interact with Jandy AquaLink RS systems. Refer to the RS manual for more information.

3.3.3 Pre-2022 AquaLink® RS Firmware Rev V and Earlier

AquaLink RS systems using Firmware Rev V and earlier, manufactured prior to mid-year 2022, support up to four (4) variable-speed pumps. Each pump is assigned an address of 1 through 4 using DIP switches 3-4 on the pump. Use Table 4 for pump address assignment settings.

These settings are used when connected to the RS-485 connection on the pump or when connected to the pump using a SpeedSet™ controller's automation passthrough wiring connection on the bottom of the controller.

Address	Switch 3	Switch 4
PUMP 1 (Factory Default)	OFF	OFF
PUMP 2	ON	OFF
PUMP 3	OFF	ON
PUMP 4	ON	ON

Table 5. DIP Switch Settings

3.3.4 2022 AquaLink RS Firmware Rev W and Later

AquaLink RS systems using Rev W and later, manufactured after mid-year 2022, support of up to sixteen (16) variable-speed pumps that utilize a pre-assigned SERIAL ADDRESS. DIP Switches 3-4 are not utilized. Pumps in this manual are all assigned a unique SERIAL ADDRESS at the factory. The SERIAL ADDRESS label can be found on the pump motor (see Figure 10).

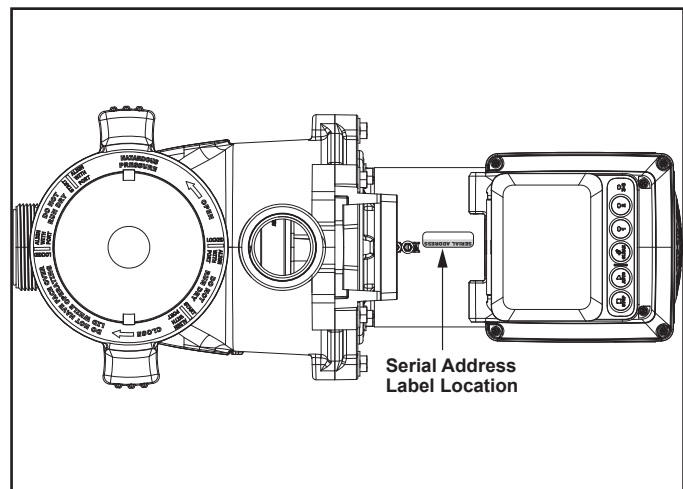


Figure 10. Serial Address Label Location

When setting up pumps using this method, the SERIAL ADDRESS of each pump will initially appear in the unassigned pumps section of the iAquaLink App or other automation setup devices. Utilize the App or other device to complete pump setup.

3.3.5 AquaLink TCX

AquaLink TCX supports a single variable-speed pump. DIP Switches 3-4 must always be set in the OFF position when the pump is connected to a TCX Automation System. This is true even when connected to a TCX system using the automation passthrough wiring on a Jandy SpeedSet controller.

3.3.6 Other Jandy Automation Systems

Other Jandy automation systems support up to four (4) variable-speed pumps utilizing DIP Switches 3-4 in the same manner as defined in Section 3.3.3.

3.4 Conduct Pressure Test

⚠ WARNING

When pressure testing a system with water, air is often trapped in the system during the filling process. This air will compress when the system is pressurized. Should the system fail, this trapped air can propel debris at a high speed and cause injury. Every effort to remove trapped air must be taken, including opening the valve on the filter and loosening the pump basket lid while filling the pump.

⚠ WARNING

Trapped air in the system can cause the filter lid to be blown off, which can result in death, serious injury, or property damage. Be sure all air is properly purged out of the system before operating. **DO NOT USE COMPRESSED AIR TO PRESSURE TEST OR CHECK FOR LEAKS.**

⚠ WARNING **ELECTRICAL SHOCK HAZARD**

Do not pressure test above 35 PSI. Pressure testing must be done by a trained pool professional. Circulation equipment that is not tested properly might fail, which could result in severe injury or property damage.

⚠ WARNING

When pressure testing the system with water, it is very important to make sure that the pump basket lid is completely secure.

1. Before pressurizing the system, ensure the lock ring "locked" indicators align with the suction and pressure side ports on the pump.
2. Fill the system with water to eliminate trapped air.
3. Pressurize the system with water to no more than **35 PSI**.
4. Close the valve to seal the water in the system.
5. Observe the system for any leaks or pressure decay.
6. If there are lid leaks, repeat this procedure. For Zodiac Technical Support, call 800.822.7933

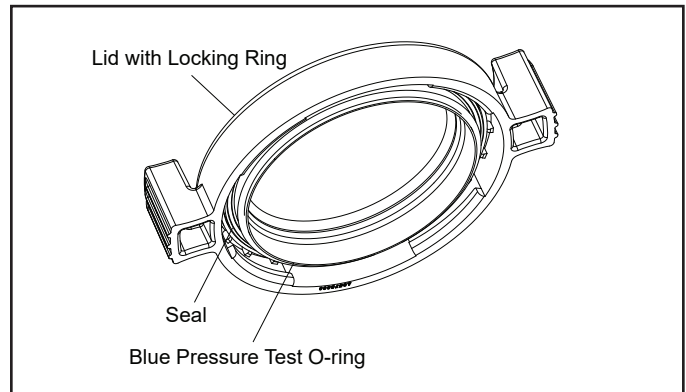


Figure 11. Blue Pressure Test O-Ring

⚠ WARNING

ELECTRICAL SHOCK HAZARD

Due to the potential risk of fire, electric shock, or injuries to persons, Jandy® Pumps must be installed in accordance with the National Electrical Code® (NEC®), all local electrical and safety codes, and the Occupational Safety and Health Act (OSHA). Copies of the NEC may be ordered from the National Protection Association, 1 Batterymarch Park, Quincy, MA, 02169, or from your local government inspection agency.

In Canada, Jandy Pumps must be installed in accordance with the Canadian Electrical Code (CEC).

⚠ WARNING

ELECTRICAL SHOCK HAZARD

Turn off the pump and the main breaker in the pump electrical circuit before starting the procedure. Failure to comply may cause a shock hazard, resulting in severe personal injury or death.

Section 4. Operation

4.1 Start-up

CAUTION

Never run the pump without water. Running the pump “dry” for any length of time can cause severe damage to both the pump and motor and may void the warranty.

If this is a new pool installation, make sure all piping is clear of construction debris and has been properly pressure tested. The filter should be checked for proper installation, verifying that all connections and clamps are secure according to the manufacturer’s recommendations.

WARNING

To avoid risk of property damage, personal injury or death, verify that all power is turned off before starting these steps.

4.1.1 Pump Below Water Level

1. Ensure the pump lid is secure by verifying the “locked” indicators are aligned with the pump’s ports. **Hand tighten only**, do not use tools. Make sure valves are open and the pump unions are tight.
2. Open any isolation valves that may be in place between the pump and the pool’s main drain(s) and skimmer(s).
3. Open the air relief valve on the filter. This will allow air to begin to escape the system and fill the pump with water for priming.
4. Restore power to the pump and start the pump.
5. When water starts to come out of the air relief valve on the filter, close the air relief valve.
6. Inspect system for any leaks.

4.1.2 Pump Above Water Level

1. Open the air relief valve on the filter.
2. Remove the pump lid and fill the basket with water.
3. Prior to replacing the lid, check for debris around the lid O-Ring seat. Debris around the lid O-Ring seat may cause an air leak and will make it difficult for the pump to prime.
4. Tighten the lid by verifying the “locked” indicators on the lid are aligned with the pump’s ports. **Hand tighten only**, do not use tools. Make sure all valves are open and the pump unions are tight.
5. Restore power to the pump and start the pump.
6. Once the pump has primed and water comes out of the air relief valve on the filter, close the air relief valve and inspect the system for any leaks.

NOTE All pumps in this manual are NSF-certified as being able to prime at heights up to 10 ft above the pool water level, at sea level. However, to achieve better self-priming, install the pump as close as possible to the water level of the pool.

See Installation Recommendations in Section 3.1.3 for proper elevation and pipe size.

The default priming speed is 2750 RPM. The pump will take approximately 15 minutes to prime at this priming speed when the pump is located 10 feet above the pool water. If priming speed is adjusted to 3450 RPM, the pump should prime within 8 minutes at 10 feet above the water level.*

If the pump does not prime and all the instructions to this point have been followed, check for a suction leak. If there is no leak, repeat Steps 1 through 5.

For technical assistance, call Zodiac Technical Support at 800.822.7933.

NOTE If system plumbing is greater than 2", the pump may take approximately 20 minutes to prime at 3450 RPM.

Section 5. Service & Maintenance

⚠ CAUTION

To avoid damage to the plastics, do not use lubricant or sealant on the o-ring. Only soapy water should be used to install and lubricate the o-ring.

Clean Pump Basket

Debris that accumulates in the pump filter basket will begin to block the flow of water. For optimal pump performance, the pump filter basket needs to be inspected and cleaned on a weekly basis. Depending on the location and environment of the pool, more frequent inspection may be required.

1. Inspect the pump filter basket for debris by looking through the clear pump lid. This can be done with or without the pump running. If debris has accumulated, proceed to step 2.
2. Turn off the power to the pump. If the pump is located below the water level, close the isolation valves on the suction and discharge sides of the pump to prevent backflow of water.
3. Turn the locking ring counter-clockwise until 'START' aligns with the ports. Remove the lid.
4. Lift the basket out of the pump.
5. Dispose of the debris and thoroughly clean the basket, making sure all the holes are open. Using a garden hose, spray the basket from the outside to help clear the holes. Remove any remaining debris.
6. Replace the basket in the pump by aligning the opening with the suction pipe. If aligned properly, the basket will drop easily into place. Do not force it into place.

⚠ CAUTION

A misaligned basket will cause the lid to be improperly seated, allowing an air leak, which could result in pump damage.

7. Remove the lid seal and remove debris around the lid seal seat, as this can allow air to leak into the system. Clean the lid seal and place it on the lid.
8. Replace the lid with locking ring. Hand-tighten the lid to make an air-tight seal. Do not use any tools to tighten the lid: **Hand-tighten only**.
9. Verify that all valves have been returned to the proper position for normal operation.
10. Open the pressure release valve on the filter, and make sure it is clean and ready for operation.
11. Turn on the power to the pump. Once all the air has been evacuated from the filter, close the pressure release valve.

5.1 Removing the Pump Lid

1. Make sure that the pump is turned OFF.
2. Make sure that the switch to the circuit breaker to the motor is turned OFF.
3. Make sure all necessary isolation valves are closed to prevent water from reaching the pump.
4. Following the markings on the locking ring, turn the ring counter-clockwise until the 'START' markings align with the ports. See Figures 13-15.
5. Carefully remove the lid with locking ring.

⚠ WARNING

ELECTRICAL SHOCK HAZARD

Turn off all switches and the main breaker in the variable-speed pump electrical circuit before starting the procedure. Failure to comply may cause a shock hazard resulting in severe personal injury or death.

⚠ WARNING

ELECTRICAL SHOCK HAZARD

Due to the potential risk of fire, electric shock, or injuries to persons, Jandy® Pumps must be installed in accordance with the National Electrical Code® (NEC®), all local electrical and safety codes, and the Occupational Safety and Health Act (OSHA). Copies of the NEC may be ordered from the National Protection Association, 1 Batterymarch Park, Quincy, MA, 02169, or from your local government inspection agency.

In Canada, Jandy Pumps must be installed in accordance with the Canadian Electrical Code (CEC).

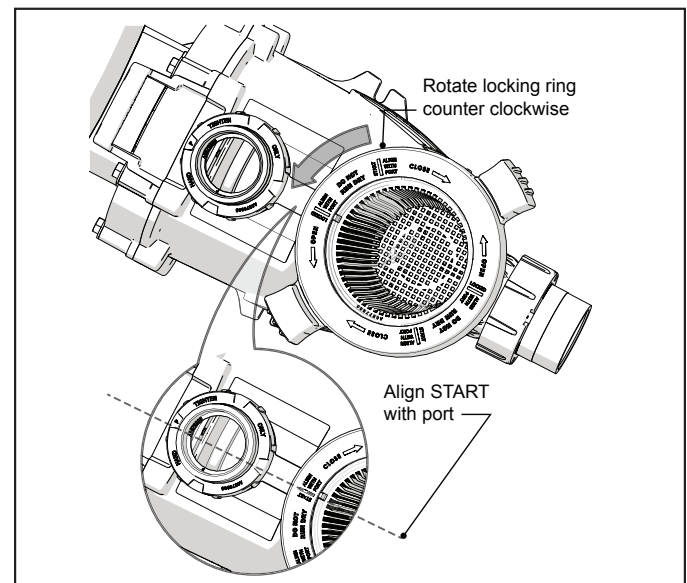


Figure 12. Disengage Lock Ring

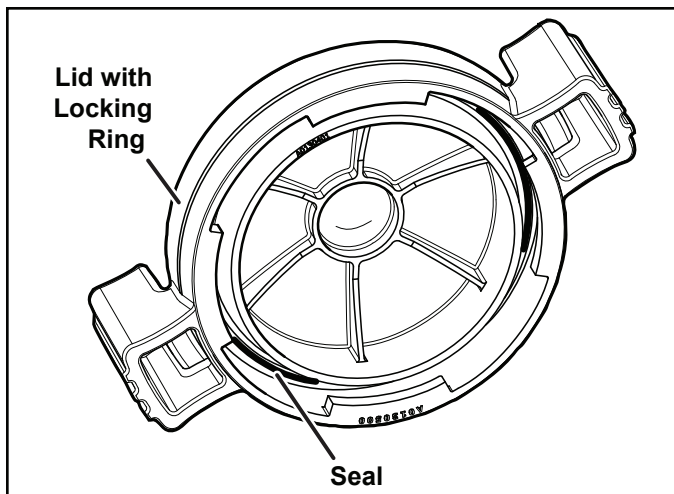


Figure 13. O-Ring in Lid Assembly

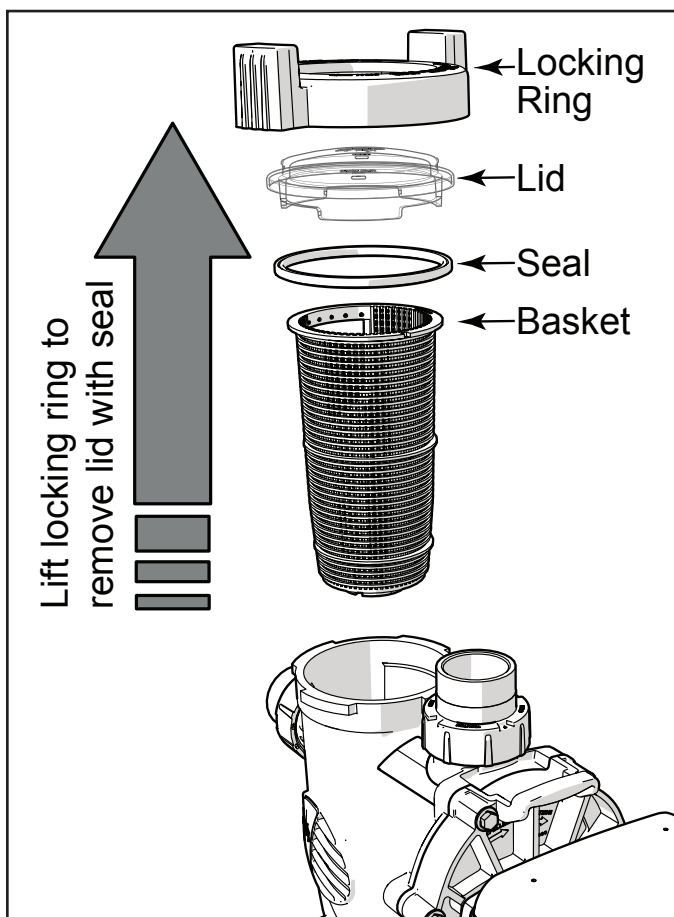


Figure 14. Remove Pump Lid

5.2 Winterizing the Pump

⚠ CAUTION

The pump **must** be protected when freezing temperatures are expected. Allowing the pump to freeze will cause severe damage and may void the warranty.

⚠ CAUTION

Do not use antifreeze solutions in the pool, spa, or hot tub systems. Antifreeze is highly toxic and may damage the circulation system. The only exception to this is Propylene Glycol. For more information, see your local pool/spa supply store or contact a qualified swimming pool service company.

1. Drain all water from the pump, system equipment, and piping.
2. Remove the two (2) drain plugs. Store the drain plugs in a safe location and reinstall them when the cold weather season is over. **Ensure the drain plugs and O-Rings are not misplaced.**
3. Keep the motor covered and dry. Do not cover the pump with plastic, because this will create condensation that may damage the pump.

NOTE Zodiac Pool Systems LLC recommends having a qualified service technician or electrician properly disconnect the electrical wiring at the switch or junction box. Once the power is removed, loosen the two (2) unions and store the pump indoors. For safety, and to prevent entry of contaminants, reinstall all conduit and terminal box covers.
4. When the system is reopened for operation, have a qualified technician or electrician make sure all piping, valves, wiring and equipment are in accordance with the manufacturer's recommendations. Pay close attention to the filter and electrical connections.
5. The pump must be primed prior to starting. Refer to Section 4.1, Start-up.

Section 6. Troubleshooting and Repair

Zodiac Pool Systems LLC strongly recommends that you call a qualified service technician to perform any repairs on the filter/pump system. To locate a qualified technician, check your local yellow pages or visit *ZodiacPoolSystems.com* or *ZodiacPoolSystems.ca* and click on “Find a Dealer.”

Symptom	Possible Cause/Solution
<p>Motor won't start or the controller does not detect the motor</p>	<p>No power to the motor. Have a certified professional check the voltage on the main power terminal with the breaker on. The voltage must be within 10% of the motor rating plate voltage.</p>
	<p>The motor experienced an error. Power cycle the motor. If the motor has experienced an error, a fault code may appear on the controller. In order to clear the error, turn off the main breaker connected to the motor. Wait at least 5 minutes before returning power to the motor. The voltage in the capacitors must be completely drained for a proper power cycle.</p>
	<p>Improper low voltage wiring. The RS-485 connection must be secure with no broken wires. Inspect the low voltage wiring for signs of corrosion. If necessary cut the wires off and strip new leads. Make sure there are not any broken pieces of wire inside the RS-485 connector.</p>
	<p>Broken low voltage wiring. The wire may have breaks somewhere between the motor and the controller. With all power off, take a multimeter and set it to Ohms/Continuity. Check continuity of each of the low voltage lines from the motor side to the controller side. Replace the RS-485 wires completely if necessary.</p>
	<p>Improper low voltage wiring. Check the wiring of the RS-485 connector. Wire colors for pins 1-4 should be Red, Black, Yellow, Green.</p>
	<p>Test the drive with the RS-485 jumper method. Using small sections of 22 AWG wire, jump pins 1 to 3 and 2 to 4. These wires can be made by cutting off a section of the RS-485 wires. Re-install the connector and attach the access cover. Apply power to the motor. The motor should spin at 2600 RPM indefinitely. If the motor works, there is a problem with the RS-485 line or with the controller. Contact Zodiac Technical Support at 800.822.7933</p>
	<p>DIP switches in the wrong configuration. The variable speed drive has two DIP switches; 3 and 4. These must both be in the OFF position for Pump 01. This is the configuration for all controllers that are not automation and the first pump for automation. If more than one variable speed pump is being controlled with an automation system, they must be in the proper configuration. Refer to the DIP switch section of the manual to configure the other motors.</p>
	<p>Check the schedule. The motor will only turn on during programmed times set in the controller. Verify that the motor is scheduled to turn on at that time.</p> <p>If the motor still has problems starting or continues to show faults, contact Zodiac Technical Support at 800.822.7933</p>
<p>Motor starts but shuts off soon after</p>	<p>Debris may be stuck between the impeller and the diffuser. This will prevent the drive shaft from spinning and will cause the motor to experience an error. Have a certified professional check to see if the drive shaft is seized with all power off. A quick test can be inserting a 5/16" allen wrench through the back of the fan housing and into the drive shaft. Manually spin the drive shaft to check if it is seized. If large amounts of debris are found, check your strainer basket for breaks. Replace the strainer basket if necessary.</p>
	<p>If the motor still has problems starting, contact Zodiac Technical Support at 800.822.7933</p>

Symptom	Possible Cause/Solution
The motor gets hot and shuts off periodically	Make sure that there is adequate room around the motor to circulate air and keep the motor cool. Have a qualified electrician check for loose connections and check the voltage at the motor while it is in operation. If the main voltage is outside of 10% of the motor rating plate, the motor may be experiencing excessive loads. Contact your local power surface provider.
No power to controller	This is exclusive to any controller that is not an automation system. The motor has the ability to power controllers through the RS-485 line. Have a certified electrician test the voltage on the RS-485 line while there is power to the motor. There should be between 8 and 12 Volts DC between pins 1 and 4. If the voltage is below or non-existent, contact Zodiac Technical Support at 800.822.7933.
	Improper low voltage wiring. Check the wiring of the RS-485 connector. Wire colors for pins 1-4 should be Red, Black, Yellow, Green.

6.1 Service Technician Maintenance

CAUTION

This pump must be serviced by a professional service technician qualified in pool/spa installation. The following procedures must be followed exactly. Improper installation and/or operation can create dangerous electrical hazards, which can cause high voltages to run through the electrical system. This can cause property damage, serious personal injury, and/or death. Improper installation and/or operation may void the warranty.

WARNING

Before servicing the pump, switch off the circuit breakers at the power source. Severe personal injury or death may occur if the pump starts while your hand is inside the pump.

6.1.1 Blocked Impeller

1. Turn off the pump. Switch off the circuit breaker to the pump motor.
2. Remove the lid and basket.
3. Look inside the pump and remove any debris.
4. Replace the basket and lid.
5. Switch on the circuit breaker to the pump motor.
6. Turn on the pump, and see if the problem is solved.
7. If the impeller is still blocked with debris and it is not possible to remove the debris using Steps 2 through 4, the pump will need to be disassembled in order to access the inlet and outlet of the impeller.

Section 7. Product Specifications and Technical Data

Exploded view for general reference only. Specific models may differ. Please refer to the contact information below to obtain spare parts information for specific pump models. For a complete list of replacement parts, please visit www.Jandy.com or contact Zodiac Technical Support at 1.800.822.7933 or email productsupport@fluidra.com. In Canada, please call 1.888.647.4004 or email customer.service@fluidra.com.

7.1 Exploded Views

- 1 - Motor, Drive
 - 2 - Motor Hardware
 - 3 - Fan Shroud
 - 4 - Motor Mounting Foot
 - 5 - Backplate Hardware
 - 6 - Backplate
 - 7 - Backplate O-Ring
 - 8 - Impeller and Hardware
 - 9 - Diffuser and Hardware
 - 10 - Diffuser O-Ring
 - 11 - Pump Body
 - 12 - Locking Ring and O-Ring
 - 13 - Pump Debris Filter Basket
 - 14 - Tail Piece (2), O-Ring (2) and Union Nut (2)
 - 15 - Mechanical Seal
 - 16 - Drain Plug with O-Ring (2)
 - 17 - Small adjustable base w/spacers (VSFHP Models Only)
 - 18 - User Interface Bracket
 - 19 - User Interface
 - 20 - Liquid-Tight Cord Grip
- * - Large Adjustable Base (Optional part # R0546400 for use with VSFHP Models Only)

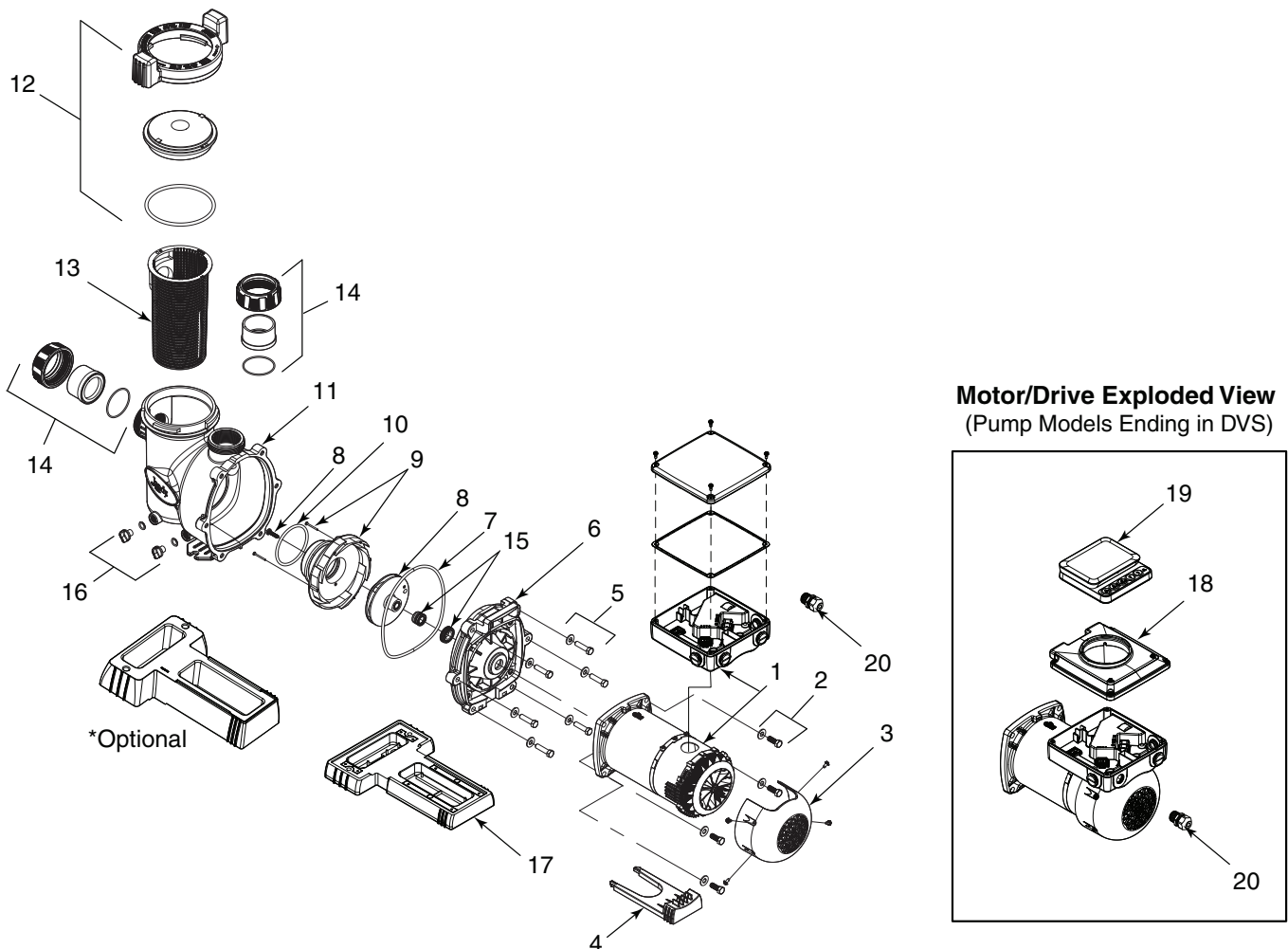
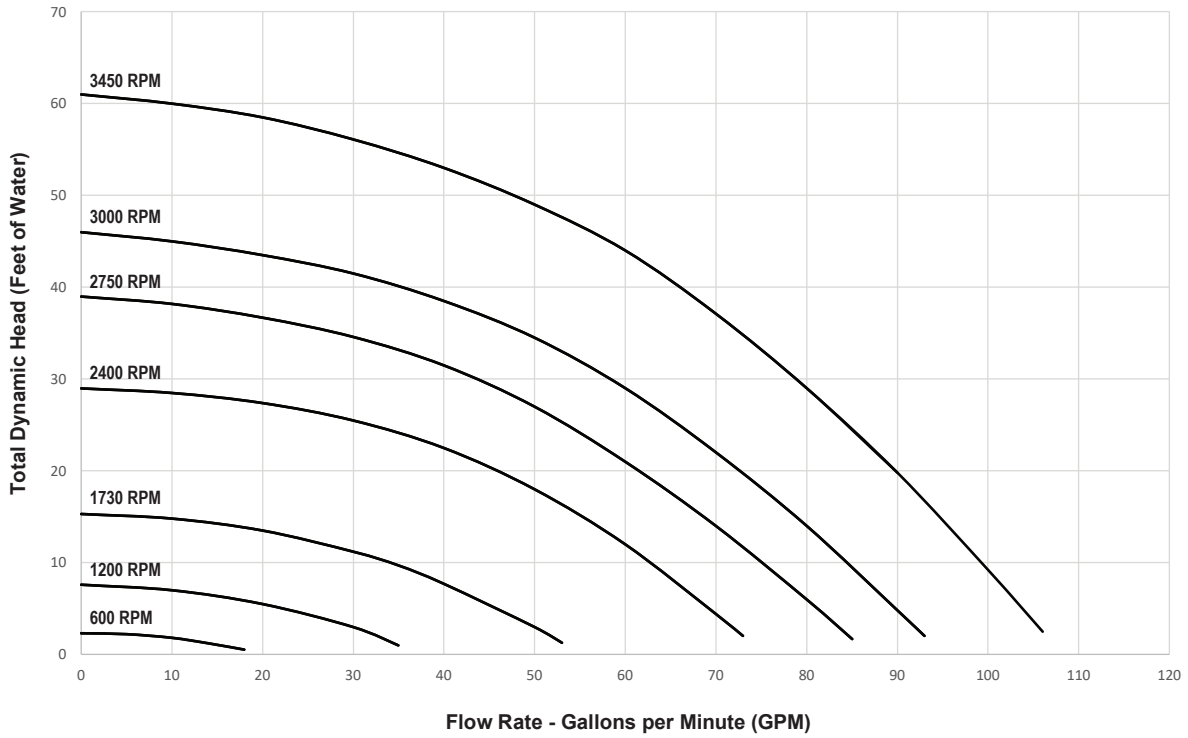


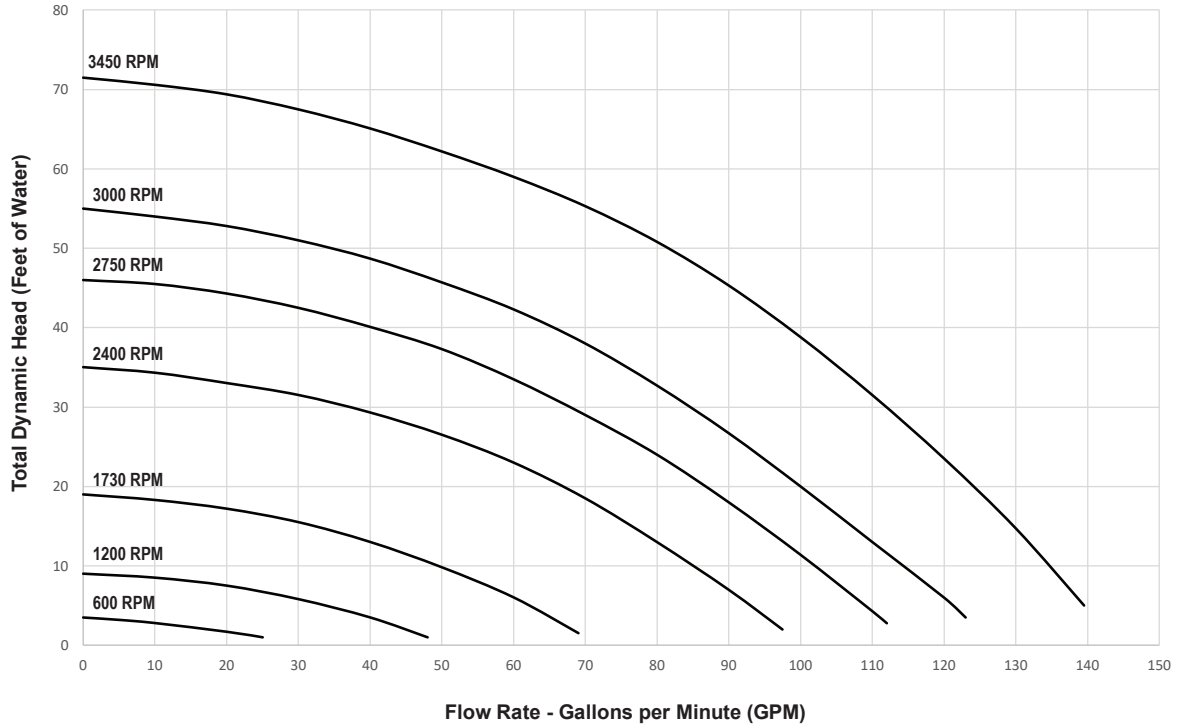
Figure 16. Jandy Variable Speed Pump Exploded View (Specific models may differ slightly from illustration)

7.2 Performance Curves

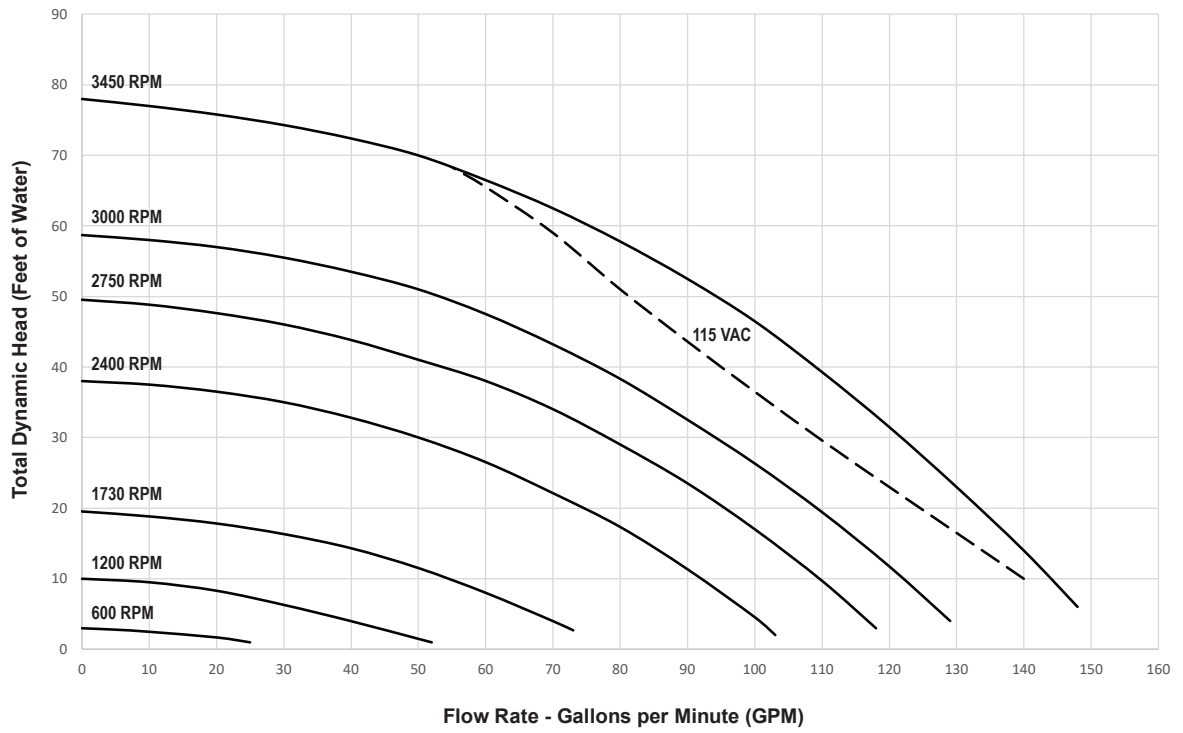
VSFHP130DV(S) Pump Curves - 115V/230V



VSFHP165DV(S) Pump Curves - 115V/230V



VSFHP185DV(S) Pump Curves - 115V/230V



Zodiac Pool Systems LLC
2882 Whiptail Loop #100, Carlsbad, CA 92010

Zodiac Pool Systems Canada, Inc.
2-3365 Mainway, Burlington, ON L7M 1A6 Canada

USA | Jandy.com | 1.800.822.7933
Canada | Jandy.ca | 1.888.647.4004

©2023 Zodiac Pool Systems LLC. All rights reserved. ZODIAC® is a registered trademark of Zodiac International, S.A.S.U., used under license. All other trademarks are the property of their respective owners.
H0719301 REV A



ETL LISTED
CONFORMS TO
UL STD 1081

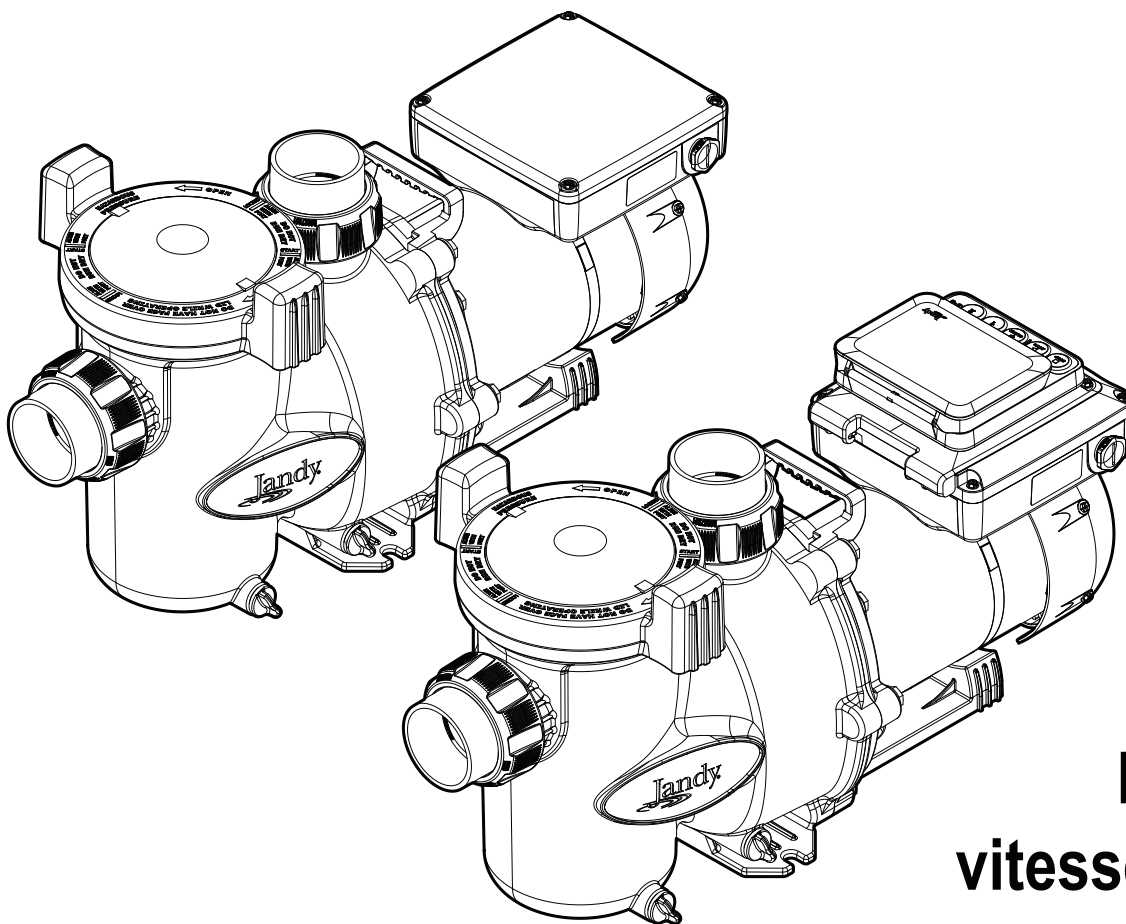
Certified to
CAN/CSA C22.2
No. 108





MANUEL D'INSTALLATION ET DE FONCTIONNEMENT

FRANÇAIS



Pompes à vitesse variable

Jandy

VSFHP130DV VSFHP130DVS
VSFHP165DV VSFHP165DVS
VSFHP185DV VSFHP185DVS



! AVERTISSEMENT

POUR VOTRE SÉCURITÉ, ce produit doit être installé et entretenu par un entrepreneur qualifié en équipements de piscine disposant d'un permis délivré par la juridiction dans laquelle le produit est installé lorsque de telles exigences étatiques ou locales existent. L'agent d'entretien doit être un professionnel disposant de suffisamment d'expérience dans l'installation et l'entretien de l'équipement de piscine, afin de s'assurer que toutes les directives du présent manuel sont scrupuleusement respectées. Avant d'installer ce produit, lire et suivre tous les avertissements et toutes les directives qui accompagnent ce produit. Tout non-respect des instructions d'avertissement peut entraîner des dommages matériels, des blessures corporelles ou même la mort. Une mauvaise installation ou utilisation annule la garantie. **NE PAS MODIFIER CET ÉQUIPEMENT.**



Une mauvaise installation ou utilisation peut engendrer un danger électrique pouvant entraîner des dommages matériels ou des blessures graves, voire mortelles.

À L'ATTENTION DE L'INSTALLATEUR - Le présent manuel contient des informations importantes sur l'installation, le fonctionnement et l'utilisation sécuritaire de ce produit. Ces informations doivent être transmises au propriétaire ou à l'utilisateur de cet équipement.

Table des matières

Section 1. Consignes de sécurité importantes	27	Section 5. Service et entretien	41
1.1 Consignes générales de sécurité	27	5.1 Retrait du couvercle de la pompe.....	41
1.2 Directives pour la prévention de l'effet ventouse d'une pompe de piscine.	29	5.2 Préparation de la pompe pour l'hiver	42
Section 2. Description générale	30	Section 6. Dépannage et réparation	43
2.1 Introduction.....	30	6.1 Entretien par un technicien.....	44
2.2 Dimensions du produit.....	30	Section 7. Spécifications du produit et données techniques.....	45
2.3 Spécifications du produit	31	7.1 Vues éclatées	45
2.4 Contenu du produit.....	31	7.2 Courbes de performance.....	46
Section 3. Information sur l'installation	33		
3.1 Tuyauterie.....	33		
3.2 Installation électrique.....	35		
3.3 Réglages du commutateur DIP pour pompe	38		
3.4 Effectuer un test de pression.....	39		
Section 4. Fonctionnement.....	40		
4.1 Mise en route.....	40		

ENREGISTREMENT DES INFORMATIONS RELATIVES À L'ÉQUIPEMENT

DATE DE L'INSTALLATION _____

COORDONNÉES DE L'INSTALLATEUR _____

PREMIÈRE LECTURE DU MANOMÈTRE DE PRESSION (AVEC FILTRE TRANSPARENT) _____

MODÈLE DE POMPE _____

CHEVAL-PUISSANCE _____

REMARQUES :

Section 1. Consignes de sécurité importantes

LIRE ET SUIVRE TOUTES LES DIRECTIVES

1.1 Consignes générales de sécurité

Tout travail en lien avec l'électricité doit être effectué par un électricien qualifié, et se conformer aux codes locaux, provinciaux et nationaux. Lors de l'installation et de l'utilisation de cet équipement électrique, les consignes de sécurité élémentaires doivent toujours être respectées, notamment les mises en garde suivantes :

AVERTISSEMENT

RISQUE D'EFFET VENTOUSE QUI, S'IL N'EST PAS ÉVITÉ, PEUT CAUSER DES BLESSURES GRAVES, VOIRE MORTELLES. Ne pas bloquer l'aspiration de la pompe, ce qui pourrait causer des blessures graves, voire mortelles. Ne pas utiliser cette pompe pour les pataugeoires, les piscines peu profondes ou les spas disposant de drains au fond, à moins que la pompe ne soit connectée à au moins deux (2) prises d'aspiration fonctionnelles. Les ensembles d'aspiration (drains) et leurs couvercles doivent être certifiés conformes à la dernière édition publiée de la norme ANSI®/ASME® A112.19.8, ou sa norme ayant droit, ANSI/APSP-16.

AVERTISSEMENT

Pour réduire les risques de blessures, ne pas laisser les enfants utiliser ce produit.

AVERTISSEMENT

Pour réduire les risques de dommages matériels ou de blessures, ne pas tenter de modifier la position de la valve du lavage à contre-courant (port multiple, glisser ou débit plein) lorsque la pompe fonctionne.

AVERTISSEMENT

Les pompes Jandy sont alimentées par un moteur électrique haute tension et doivent être installées par un électricien agréé ou qualifié ou un technicien d'entretien des piscines.

AVERTISSEMENT

En raison du risque potentiel d'incendie, d'électrocution ou de blessures corporelles, les pompes Jandy doivent être installées conformément au National Electrical Code® (NEC®), aux codes électriques et de sécurité locaux, ainsi que selon la loi Occupational Safety and Health Act (OSHA). Il est possible de commander des copies du NEC auprès de la National Fire Protection Association, 1 Batterymarch Park, Quincy, MA 02169, États-Unis, ou de votre agence d'inspection du gouvernement.

AVERTISSEMENT

RISQUE DE DÉCHARGE ÉLECTRIQUE, D'INCENDIE, DE BLESSURES OU DE MORT. (Pour toutes les unités installées en permanence et destinées à être utilisées sur des circuits de dérivation monophasés de 15 ou 20 a, 120 à 240 V). Raccorder uniquement à un circuit de dérivation qui est protégé par un disjoncteur de fuite à la terre (DDFT) pour le personnel. Contacter un électricien qualifié s'il n'est pas possible de vérifier que le circuit est équipé d'un différentiel ou non. Un tel DDFT doit être fourni par l'installateur et faire l'objet d'essais régulièrement. Pour tester le différentiel, appuyer sur le bouton de test. Le différentiel doit couper le DDFT de l'alimentation. Appuyer sur le bouton de remise en route. L'alimentation doit être rétablie. Si le DDFT ne fonctionne pas comme indiqué, c'est qu'il est défectueux. Si le différentiel coupe l'alimentation de la pompe sans que le bouton de test ait été enfoncé, cela indique la présence d'un courant de terre, signifiant un risque de décharge électrique. Ne pas utiliser l'appareil. Débrancher l'appareil et faire corriger le problème par un représentant de service qualifié avant toute utilisation.

AVERTISSEMENT

Un équipement mal installé peut faire défaut, causant de graves blessures ou dommages matériels.

AVERTISSEMENT

- Ne pas raccorder le système à un réseau municipal d'approvisionnement en eau non régulé ni à aucune autre source externe d'eau sous pression produisant des pressions supérieures à 2,41 BAR (35 PSI).
- La présence d'air coincé dans le système peut faire sauter le couvercle du filtre et entraîner la mort, de graves blessures corporelles ou des dommages matériels. Veiller à ce que tout l'air a quitté le système avant d'utiliser l'équipement.

AVERTISSEMENT

Pour réduire le risque de blessures graves ou de décès, le filtre et/ou la pompe ne doi(ven)t pas être soumis à un test de mise sous pression de la tuyauterie.

Les codes locaux peuvent exiger l'application d'un test de mise sous pression au niveau de la tuyauterie de la piscine. Généralement, ces exigences ne sont pas conçues pour être appliquées à l'équipement de piscine, comme les filtres ou les pompes.

L'équipement de piscine Zodiac® est soumis à des tests de mise sous pression en usine.

Toutefois, si cet AVERTISSEMENT ne peut pas être respecté et que le test de mise sous pression du système de tuyauterie doit inclure le filtre et/ou la pompe, S'ASSURER DE RESPECTER LES CONSIGNES DE SÉCURITÉ SUIVANTES :

- Vérifier les serre-joints, les boulons, les couvercles, les anneaux de blocage et les accessoires du système pour s'assurer qu'ils sont correctement installés et fixés solidement avant d'effectuer un test.
- **LIBÉRER TOUT L'AIR** présent dans le système avant le test.
- La pression de l'eau pendant le test NE DOIT PAS DÉPASSER 2,41 BAR (35 lb-po²).
- La température de l'eau pendant le test NE DOIT PAS DÉPASSER 38 °C (100 °F).
- Limiter la durée du test à 24 heures. Après le test, vérifier visuellement le système pour s'assurer qu'il est prêt à fonctionner.

AVIS: ces paramètres s'appliquent à l'équipement Zodiac uniquement. Pour les équipements autres que Zodiac, consulter le fabricant de l'équipement.

AVERTISSEMENT

Les déversements de produits chimiques et les émanations peuvent affaiblir l'équipement de piscine/spa. La corrosion peut provoquer la panne des filtres et d'autres équipements, entraînant ainsi de graves blessures ou des dommages matériels. Ne pas ranger les produits chimiques à proximité de votre équipement.

MISE EN GARDE

Ne pas démarrer la pompe à sec! Le fait de laisser fonctionner la pompe à sec pendant un certain temps provoquera de graves dommages et annulera la garantie.

MISE EN GARDE

Cette pompe est conçue pour être utilisée avec des piscines permanentes et peut aussi être utilisée dans les cuves thermales et les spas, si indiqué. Ne pas utiliser avec des piscines pouvant être entreposées. Une piscine permanente est construite dans le sol, sur le sol ou dans un bâtiment, de telle manière qu'elle ne puisse pas être facilement démontée et rangée. Une piscine pouvant être rangée est construite pour qu'elle puisse être démontée facilement aux fins d'entreposage, puis remontée à son état initial.

MISE EN GARDE

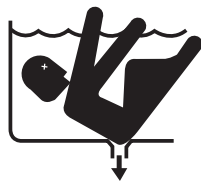
Ne pas installer dans une enceinte extérieure ou sous les bords d'une cuve thermique. Celle-ci nécessite une ventilation adéquate pour maintenir une température ambiante inférieure à la température ambiante maximale figurant sur la plaque signalétique du moteur.

MISE EN GARDE

Afin d'éviter une défaillance prématurée ou des dommages au moteur de la pompe, la protéger de l'exposition directe à l'eau provenant des gicleurs, du ruissellement des toits et du drainage, etc. Le non-respect de cette consigne peut entraîner une défaillance de la pompe et peut annuler la garantie.

CONSERVER CES DIRECTIVES

1.2 Directives pour la prévention de l'effet ventouse d'une pompe de piscine.



⚠ AVERTISSEMENT

RISQUE D'ASPIRATION. Peut causer une blessure grave voire la mort. Ne pas utiliser cette pompe pour les pataugeoires, les piscines peu profondes ou les spas disposant de drains au fond, à moins que la pompe ne soit connectée à au moins deux (2) prises d'aspiration fonctionnelles.

⚠ AVERTISSEMENT

L'aspiration générée par la pompe est dangereuse et peut coincer et noyer ou éventrer les baigneurs. Ne pas utiliser ni faire fonctionner des piscines, spas ou cuves thermales si le couvercle de la prise d'aspiration est manquant, brisé ou desserré. Les directives suivantes fournissent de l'information sur l'installation de la pompe qui minimise les risques de blessures chez les utilisateurs de piscines, de spas ou de cuves thermales :

Protection contre le piégeage : le système d'aspiration de la pompe doit protéger contre les risques de piégeage par aspiration.

Couvercles de prise d'aspiration : toutes les prises d'aspiration doivent être correctement installées, avec les couvercles vissés en place. Tous les couvercles de prise d'aspiration (drain) doivent être correctement entretenus. Ils doivent être remplacés s'ils sont fissurés, brisés ou manquants. Les couvercles doivent être certifiés selon la dernière édition publiée de ANSI®/ASME® A112.19.8 ou sa norme ayant droit, ANSI/APSP-16. La piscine doit être fermée et les baigneurs ne doivent pas pouvoir entrer dans la piscine jusqu'à ce que toutes fissures, tous bris ou couvercles de drain manquants soient remplacés.

Nombre de prises d'aspiration par pompe : fournir aux moins deux (2) prises d'aspiration hydrauliquement équilibrées avec les couvercles, comme prises d'aspiration pour chaque conduite d'aspiration de pompe. Les centres des prises d'aspiration sur n'importe quelle conduite d'aspiration doivent être à au moins 90 cm (3 pi) de distance, centre à centre. Se reporter à la Figure 1.

Le système **doit** être construit pour inclure au moins deux (2) prises d'aspiration (drains) raccordées à la pompe lorsqu'elle fonctionne. Cependant, si deux (2) prises d'aspiration deviennent une seule conduite d'aspiration, celle-ci peut être dotée d'une valve qui arrête les deux prises d'aspiration de la pompe. Le système sera construit de manière à ne pas permettre un verrouillage séparé ou indépendant, ni l'isolation de chaque drain. Se reporter à la Figure 1.

D'autres pompes peuvent être raccordées à une seule conduite d'aspiration tant que les exigences ci-dessus sont respectées.

Vélocité de l'eau : la vitesse maximale de l'eau dans l'ensemble de prise d'aspiration et de son couvercle pour n'importe quelle prise d'aspiration ne doit pas dépasser le débit de conception maximal de l'ensemble de la prise d'aspiration et de son couvercle. L'ensemble de la prise d'aspiration (drain) et son couvercle doivent être conformes à la dernière version de ANSI®/ASME® A112.19.8, la norme pour les raccords d'aspiration à utiliser dans les piscines, pataugeoires, spas, cuves thermiques ou son ayant droit, ANSI/ASME APSP-16.

Essais et certification - Les couvercles de prise d'aspiration doivent être testés par un laboratoire d'essais reconnu à l'échelle nationale et se conformer à la dernière édition publiée de ANSI/ASME A112.19.8 ou sa norme ayant droit, ANSI/APSP-16, la norme pour *Raccords d'aspiration à utiliser dans les piscines, pataugeoires, spas et cuves thermales*.

Raccords : les raccords limitent le débit; pour une meilleure efficacité, utiliser le moins de raccords possibles (mais au moins deux (2) prises d'aspiration).

Éviter les raccords qui pourraient piéger de l'air.

Les raccords d'aspiration pour piscine doivent se conformer aux normes de l'International Association of Plumbing and Mechanical Officials (IAPMO).

Section 2. Description générale

2.1 Introduction

Les pompes à vitesse variable de Jandy® peuvent fonctionner de 600 à 3 450 tr/min. Cela vous permet de sélectionner la vitesse la plus appropriée pour votre application. Les pompes sont compatibles avec tous les contrôleurs Jandy et les systèmes d'automatisation Zodiac®. La pompe est entraînée par un ECM (moteur à commutation électronique) à vitesses variables directement fixé au rotor de la pompe. Le moteur fait tourner le rotor qui force l'eau à circuler à travers la pompe. La vitesse du moteur variant, le débit à travers la pompe est également varié. Le débit ajustable permet l'optimisation du débit de l'eau pendant les exigences variées du cycle de la pompe. Pour cette raison, l'efficacité énergétique de la pompe est maximisée entraînant des économies pour le propriétaire de la piscine tout en contribuant à la sauvegarde de l'environnement.

Ce manuel contient des informations pour l'installation, le fonctionnement et l'entretien adéquats des pompes à vitesses variables spécifiques de la série Jandy. Les procédures indiquées dans ce manuel doivent être suivies avec précision. Pour obtenir des copies de ce manuel, visiter Jandy.com.

2.2 Dimensions du produit

REMARQUE Lors de l'installation d'une pompe, laisser un dégagement d'au-moins 60 cm (2 pi) au-dessus de la pompe pour le retrait du panier crépine.

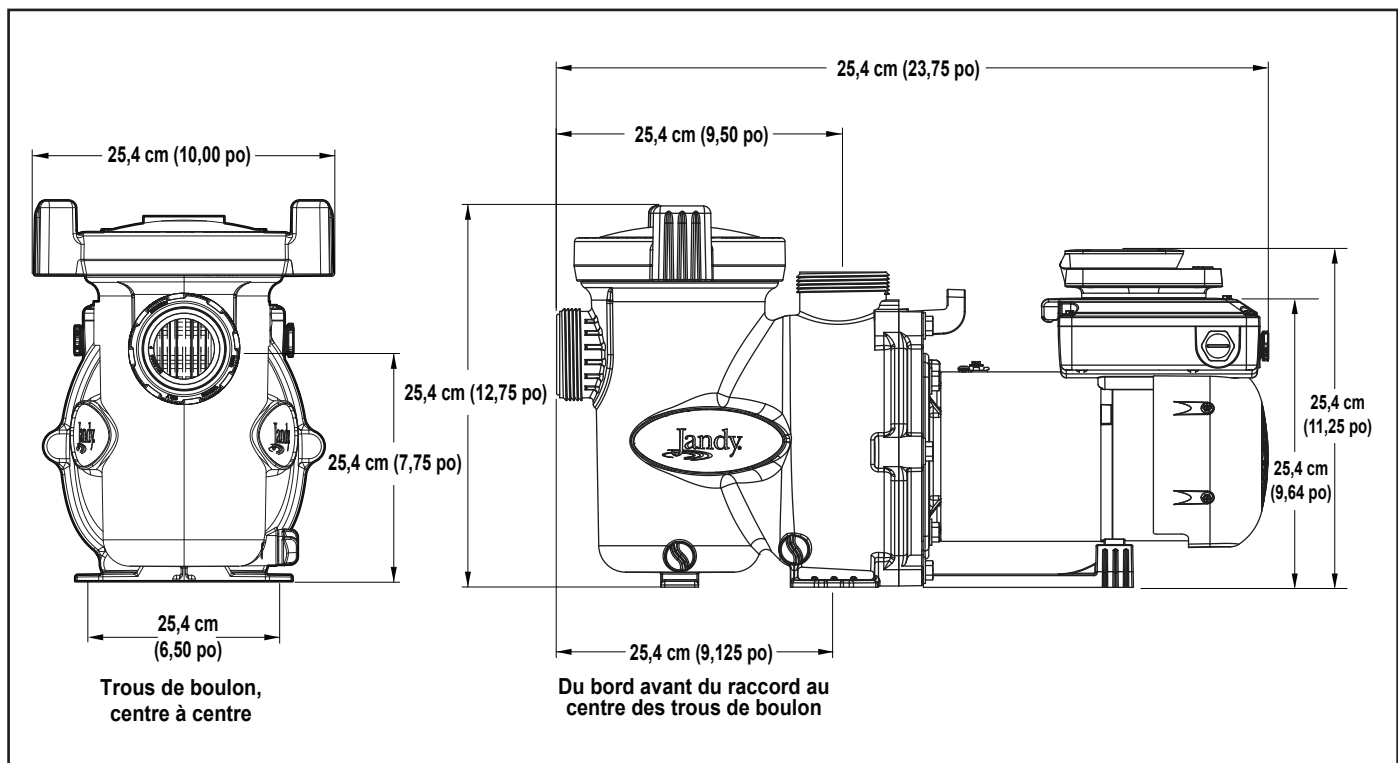


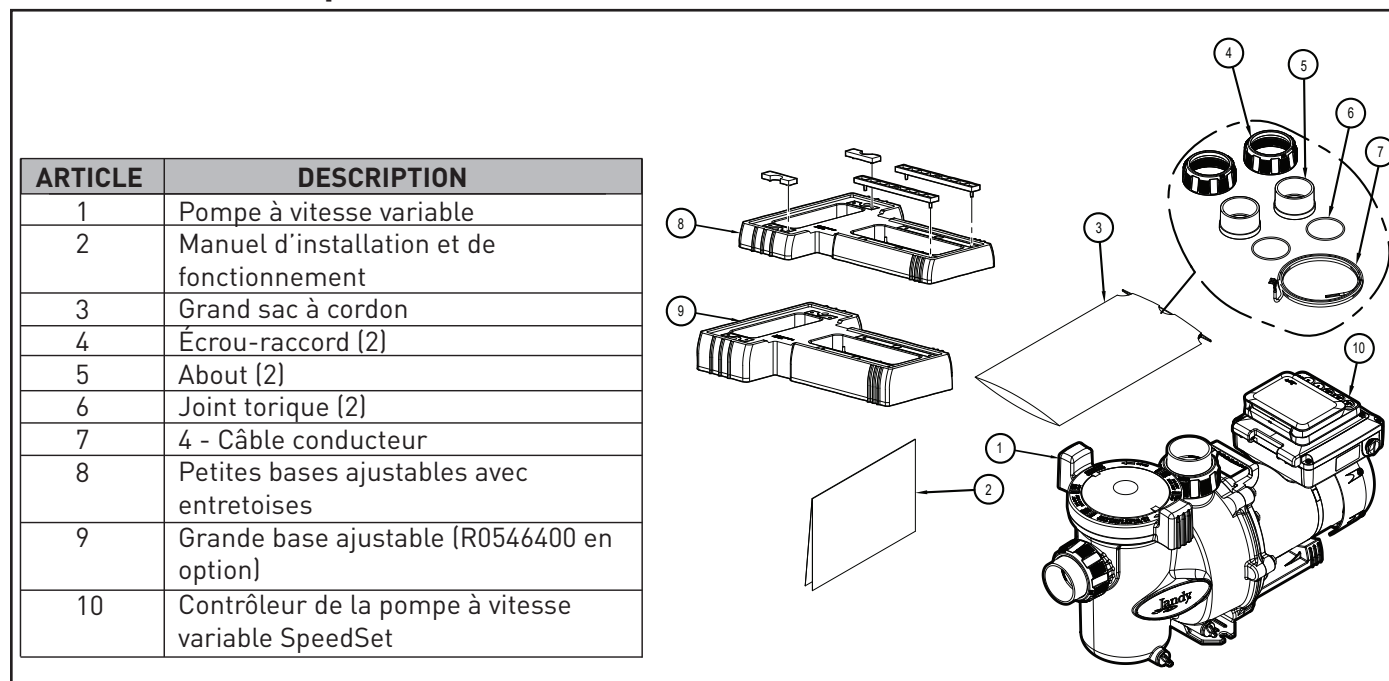
Figure 1. Dimensions de la Pompe à vitesse variable

2.3 Spécifications du produit

2.3.1 Spécifications

N° de modèle	THP	WEF	Tension	Watts max.	Ampères max.	Taille du raccord	Poids
VSFHP130DV(S)	1,30	11,0 10,9	230 V. c.a. 115 V. c.a.	1100	8,6 15,6	2 po	39,3 lb [17,8 kg]
VSFHP165DV(S)	1,65	9,0 9,1	230 V. c.a. 115 V. c.a.	1700	10,5 17,7	2 po	39,3 lb [17,8 kg]
VSFHP185DV(S)	2,25	8,2 8,6	230 V. c.a. 115 V. c.a.	1875	13,5 17,4	2 po	40,4 lb [18,3 kg]

2.4 Contenu du produit



N° de modèle	1	2	3	4	5	6	7	8	9	10
VSFHP130DV	●	●	●	●	●	●	●	●	Optionnel	S.O.
VSFHP130DVS	●	●	●	●	●	●	●	●	Optionnel	●
VSFHP165DV	●	●	●	●	●	●	●	●	Optionnel	S.O.
VSFHP165DVS	●	●	●	●	●	●	●	●	Optionnel	●
VSFHP185DV	●	●	●	●	●	●	●	●	Optionnel	S.O.
VSFHP185DVS	●	●	●	●	●	●	●	●	Optionnel	●

Figure 2. Contenu de la boîte de la pompe à vitesse variable

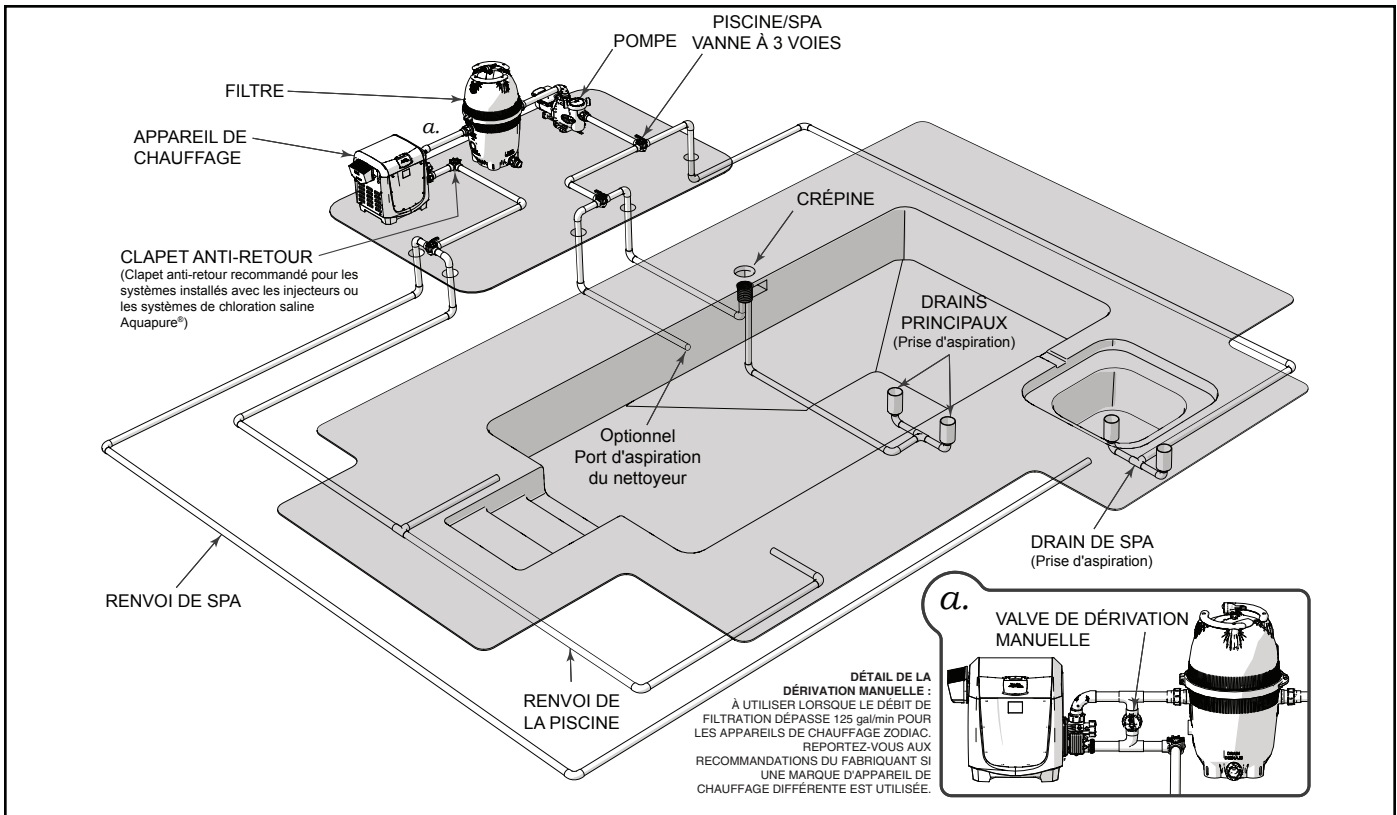


Figure 3. Installation de la tuyauterie typique

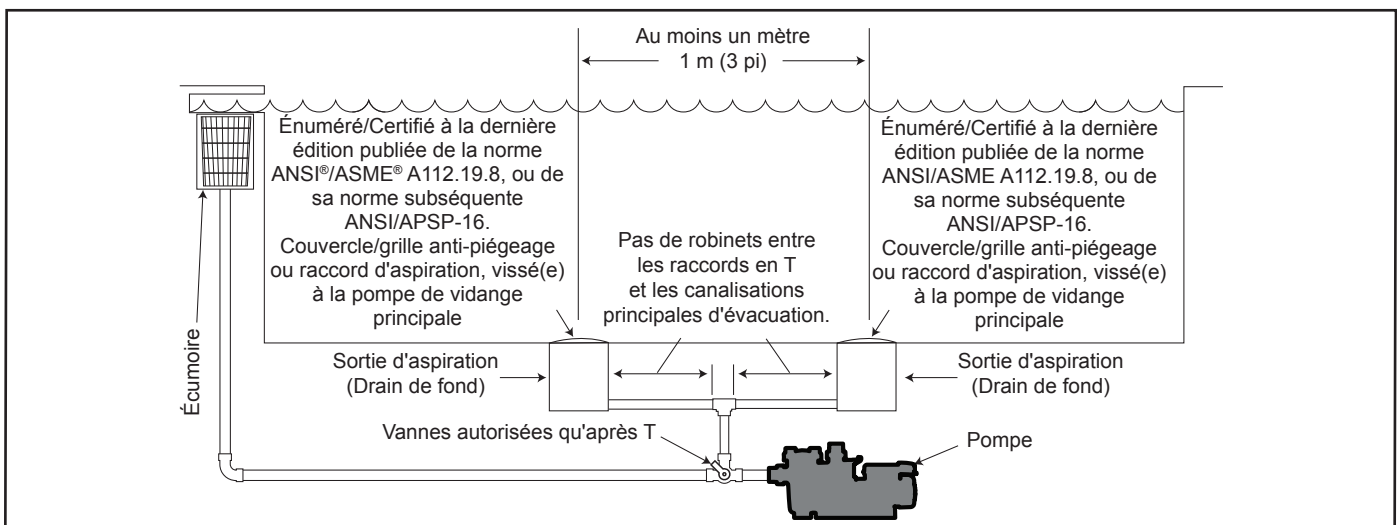


Figure 4. Nombre de prises d'aspiration par pompe

Section 3. Information sur l'installation

3.1 Tuyauterie

3.1.1 Information sur la préparation

- Vérifier que le carton de la pompe n'est pas endommagé. En cas de dommage, prendre contact avec l'expéditeur ou le distributeur où la pompe a été achetée.
- Inspecter le contenu de la boîte et vérifier que toutes les pièces sont incluses.

3.1.2 Emplacement de la pompe

Zodiac Pool Systems LLC recommande d'installer la pompe à un pied (30 cm) au-dessus du niveau d'eau. La pompe ne doit pas être élevée à plus de 152 cm (5 pi). Si la pompe doit être installée sous le niveau d'eau de la piscine, des vannes d'isolation doivent être installées sur les conduites d'aspiration et de retour afin d'empêcher le reflux de l'eau de la piscine pendant les travaux d'entretien courants.

▲ AVERTISSEMENT

Un clapet anti-retour peut interférer avec le bon fonctionnement de certains produits du système d'évacuation d'aspiration à vide (SVRS). Pour éviter les risques de piégeage, les blessures graves ou la mort, lire le manuel de fonctionnement ou du propriétaire de votre produit SVRS particulier avant d'installer le clapet anti-retour.

▲ AVERTISSEMENT

Pour réduire le risque d'incendie, installer l'équipement de la piscine dans une zone où des débris ne risquent pas de s'accumuler sur ou autour de l'équipement. Maintenir la zone libre de débris tels que du papier, des feuilles, des aiguilles de pin et autres matières combustibles.

▲ MISE EN GARDE

Afin d'éviter une défaillance prématurée ou des dommages au moteur de la pompe, la protéger de l'exposition directe à l'eau provenant des gicleurs, du ruissellement des toits et du drainage, etc. Le non-respect de cette consigne peut entraîner une défaillance de la pompe et peut annuler la garantie.

REMARQUE : Lorsque l'équipement de la piscine se trouve sous la surface de la piscine, une fuite peut entraîner une grande perte d'eau ou une inondation. Zodiac Pool Systems, LLC ne peut être tenue responsable de ces pertes d'eau ou des inondations causées par celles-ci.

- Installer la pompe de manière à ce que tout moyen de déconnexion et/ou boîtes de jonction pour connexion de l'alimentation se trouvent à portée de vue de la pompe et au moins à 152 cm (5 pi) à l'horizontal du bord de la piscine et/ou spa. Choisir un emplacement qui permettra de réduire au minimum les segments de tuyauterie.

REMARQUE Au Canada, la distance minimale maintenue depuis le bord de la piscine et/ou du spa, comme indiqué ci-dessus, doit être de 3 mètres (10 pieds) tel que requis par le Code canadien de l'électricité (CEC, CSA, C22.1).

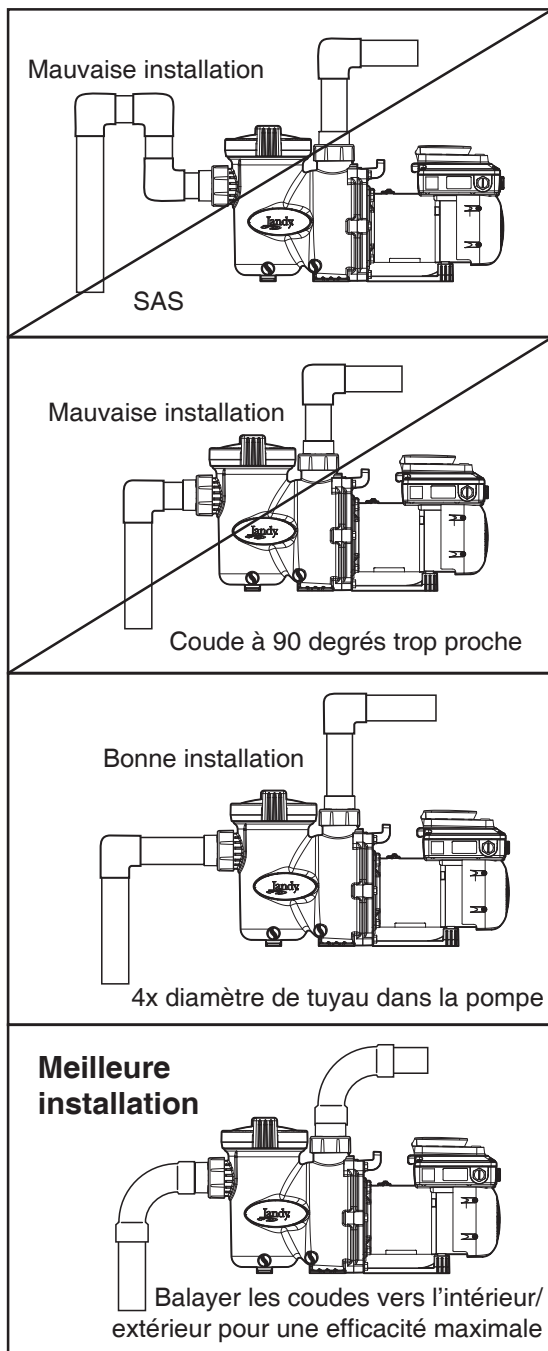
- Placer la pompe sur une base solide qui ne vibrera pas. Pour réduire davantage le risque de bruit de vibration, enfoncer la pompe dans la fondation.
- S'assurer que la fondation de la pompe a un drainage suffisant pour éviter que le moteur ne se mouille. La pompe doit être protégée de la pluie et du soleil.
- S'assurer que la pompe est correctement ventilée afin d'éviter toute surchauffe du moteur.
- Laisser suffisamment d'espace pour les entretiens en laissant une zone dégagée autour de la pompe.
- Fournir un éclairage adéquat si l'équipement est dans une zone potentiellement sombre.

Dimensions des tuyaux	Débit d'aspiration maximum (182 cm/s - 6 pi/s)	Débit d'évacuation maximum (244 cm/s - 8 pi/s)
1½ po (38 mm)	37 GPM (140 LPM)	50 GPM (189 LPM)
2 po (51 mm)	62 GPM (235 LPM)	85 GPM (322 LPM)
2 ½ po (64 mm)	88 GPM (333 LPM)	120 GPM (454 LPM)
3 po (76 mm)	136 GPM (515 LPM)	184 GPM (697 LPM)
4 po (102 mm)	234 GPM (886 LPM)	313 GPM (1185 LPM)

Tableau 1. Tableau de dimensions de tuyau pour cédule 40 en PVC

3.1.3 Recommandation d'installation

- Pour aider à prévenir les difficultés d'amorçage, installer le tuyau d'aspiration sans points hauts (au-dessus de l'entrée de la pompe; des U inversés, appelés couramment sas dans le domaine de la plomberie) qui pourraient piéger de l'air. Pour des installations d'équipement jusqu'à 30 m (100 pi) de l'eau, vous reporter au tableau 1, le tableau des grosseurs de tuyau. Pour des installations d'équipement de plus de 30 m (100 pi) de l'eau, la grosseur de tuyau recommandée doit passer à la grosseur suivante.



2. Les raccords sur les orifices d'aspiration et de refoulement simplifient l'installation et l'entretien tout en éliminant les risques de fuites au niveau des adaptateurs filetés.
3. La pompe doit être connectée à au moins deux drains principaux équilibrés hydrauliquement pour chaque conduite d'aspiration de la pompe de la piscine. Chaque drain (prise d'aspiration) doit avoir des couvercles et doit être certifiés selon la dernière édition publiée de ANSI®/ASME® A112.19.8, ou sa norme ayant droit, ANSI/APSP-16. Les raccords d'aspiration des drains principaux doivent être à au moins 1 m (3 pi) ou à différents plans. Les raccords d'aspiration peuvent être un drain et une crépine, deux drains, deux crépines ou une crépine avec une conduite égalisatrice installée. Vérifier les codes locaux pour une bonne installation.

REMARQUE Pour éviter qu'il y ait piégeage, le système doit être construit de manière à ne pouvoir fonctionner lorsque la pompe tire de l'eau d'un seul drain principal. Au moins deux drains principaux doivent être connectés à la pompe lorsqu'elle est en fonction. Cependant, si deux drains principaux deviennent une seule conduite d'aspiration, celle-ci peut être dotée d'une valve qui arrête les deux drains principaux de la pompe.

4. La tuyauterie doit être bien soutenue et non forcée ensemble où elle subira un stress constant.
5. Toujours utiliser des valves de la bonne grosseur. Les valves de dérivation et les vannes à boule de Jandy disposent généralement des meilleures capacités de débit.
6. Utiliser le moins de raccords possible et limiter l'utilisation de coudes à 90 degrés. Chaque raccord ou longueur supplémentaire augmente la résistance au débit, ce qui fait davantage travailler la pompe.

REMARQUE Si plus de dix raccords d'aspiration sont nécessaires, la grosseur du tuyau doit être augmentée.

7. Chaque nouvelle installation doit être testée sous pression conformément aux codes locaux.

3.1.4 Bases ajustables (modèles VS FloPro™ uniquement)

Pour remplacer une pompe existante de différentes dimensions, utiliser les bases ajustables pour aligner correctement les orifices d'aspiration et de refoulement sur la plomberie existante. La base VS FloPro et les entretoises augmente la hauteur totale de la pompe et la hauteur du côté de l'orifice d'aspiration de la pompe. Se reporter à la figure 5 et au Tableau 3.

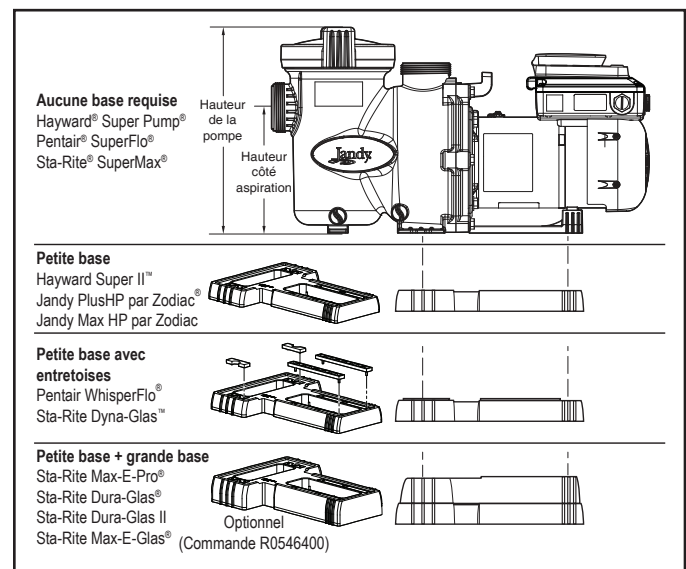


Figure 5. Configurations de base (modèle VS FloPro uniquement)

Distance depuis les sous-panneaux			0 à 50 pieds (15 mètres)		50 à 100 pieds (15 à 30 mètres)		100 à 200 pieds (30 à 60 mètres)	
Modèle de pompe	Inverse : Temps du disjoncteur ou ampères du fusible de branchement Classe : CC, G, H, J, K, RK ou T		Tension		Tension		Tension	
	230 V. c.a.	115 V. c.a.	230 V. c.a.	115 V. c.a.	230 V. c.a.	115 V. c.a.	230 V. c.a.	115 V. c.a.
VSFHP130DV VSFHP130DVS	15 A	20 A	14 AWG (2,1 mm ²)	12 AWG (3,3 mm ²)	12 AWG (3,3 mm ²)	10 AWG (5,3 mm ²)	10 AWG (5,3 mm ²)	6 AWG (5,3 mm ²)
VSFHP165DV VSFHP165DVS	20 A	30 A	12 AWG	10 AWG	12 AWG	8 AWG	10 AWG	6 AWG
VSFHP185DV VSFHP185DVS	20 A	30 A	12 AWG	10 AWG	12 AWG	8 AWG	10 AWG	6 AWG

*Requiert trois (3) conducteurs en cuivre dans une conduite enfouie et une perte de tension maximale de 3 % dans un circuit de branchement. Tous les codes du National Electrical Code® (NEC®) et les codes locaux doivent être respectés. Le tableau montre la grosseur de fil minimale et les recommandations pour le fusible de branchement dans une installation standard par NEC.

Tableau 2. Taille minimale des fils et protection minimum contre la surintensité*

Configuration de base	Hauteur côté aspiration	Pompe Hauteur
1. Pompe sans base	7 3/4 po	12 3/4 po
2. Pompe avec base	8 7/8 po	13 7/8 po
3. Pompe avec base et entretoises	9 1/8 po	14 1/8 po
4. Pompe avec petite + grande base	10 3/4 po	15 3/4 po

Tableau 3. Dimensions de Base ajustable (Modèles c. FloPro™ uniquement)

- À l'aide d'une fraise, couper les barres en plastique reliant les jeux d'entretoises du haut et du bas comme illustré sur la figure 6.
- Pousser les deux entretoises du haut et les deux du bas hors de la base.
- Aligner les broches des quatre entretoises avec les trous de la base. Enclencher les entretoises en place. Se reporter à la Figure 7.

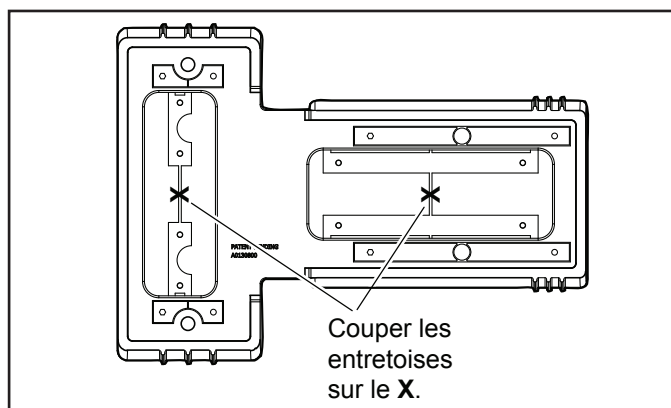


Figure 6. Découper les jeux d'entretoise de la base

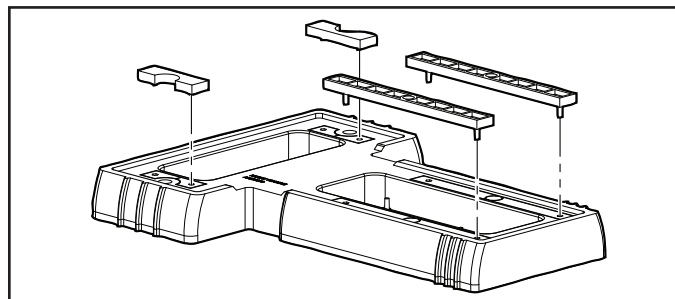


Figure 7. Enclencher les entretoises en place

3.2 Installation électrique

3.2.1 Vérifications de la tension

La bonne tension, comme indiqué sur la plaque signalétique de la pompe, est nécessaire pour une bonne performance et une longue durée de vie du moteur. Une mauvaise tension diminuera la capacité de performance de la pompe et pourrait causer une surchauffe, réduire la durée du moteur et entraîner des coûts électriques plus élevés.

L'installateur électrique est responsable de fournir à la pompe la tension de fonctionnement indiquée sur la plaque signalétique en s'assurant de la taille du circuit et du câblage pour cette application précise.

Le National Electrical Code® (NEC®, NFPA-70®) exige que tous les circuits de pompes pour piscine soient pourvus d'un disjoncteur de fuite à la terre (DDFT). Par conséquent, l'installateur électrique est également responsable de s'assurer que le circuit de la pompe devra s'y conformer, ainsi qu'à toutes les autres exigences du National Electrical Code (NEC) et autres codes d'installation en vigueur.

⚠ MISE EN GARDE

Tout défaut de fournir une tension selon la plaque signalétique (+/- 10 %) pendant l'opération entraînera la surchauffe du moteur et annulera la garantie.

3.2.2 Liaison et mise à la terre

En plus d'être correctement mis à la terre tel que décrit dans la section *Câblage électrique* et conformément aux exigences du National Electrical Code (NEC), ou au Canada le Code Canadien de l'électricité (CCE), le moteur de la pompe doit être relié aux pièces métalliques de la piscine, du spa ou de la cuve thermique et à tous les composants et équipement électrique avec le système de circulation d'eau de la piscine ou du spa. La liaison doit être réalisée à l'aide d'un conducteur en cuivre massif, calibre AWG n° 8 ou plus gros. Au Canada, il faut utiliser du AWG n° 6 ou plus gros. Relier le moteur en utilisant la languette de liaison externe fournie sur le cadre du moteur. Se reporter à la Figure 8.

Le National Electrical Code® (NEC®) requiert la mise à la terre de la piscine. Lorsqu'aucun(e) équipement, structure ou pièce de la piscine mis(e) à la terre n'est en connexion directe avec l'eau de la piscine, l'eau de la piscine devra être en contact direct avec une surface conductrice approuvée résistante à la corrosion qui n'expose pas moins de 5 800 mm² (9 po²) de la surface de l'eau de la piscine en tout temps. La surface conductrice devra être située à un endroit où celle-ci n'est pas exposée à des dommages physiques ou à des délogements au cours des activités courantes en piscine, et devra être mise à la terre conformément aux exigences en matière de mise à la terre du NEC Article 680. Se reporter aux codes appliqués localement pour toute exigence supplémentaire en matière de mise à la masse.

⚠ AVERTISSEMENT

Il faut toujours déconnecter la source d'alimentation électrique avant de travailler sur un moteur ou sa charge connectée.

⚠ AVERTISSEMENT

S'assurer que le commutateur de contrôle, l'horloge ou le système de contrôle est installé à un endroit accessible afin qu'en cas de défaillance de l'équipement ou d'un raccord de plomberie desserré, l'équipement peut être désactivé. Cet endroit ne doit pas être dans la même zone que la pompe de la piscine, le filtre et autres équipements.

⚠ MISE EN GARDE

La pompe doit être connectée de manière permanente à un circuit électrique dédié. Aucun autre équipement, éclairage, appareil ou prise de courant ne peut être connecté au circuit de pompe.

3.2.3 Câblage électrique

Les modèles de pompes Jandy abordés dans ce manuel d'installation et de fonctionnement fournissent des compartiments séparés pour le câblage haute et basse tension.

Les sections à basse tension sont pourvues de deux (2) ports de conduit 1/2 po NPT (filetés). Une prise cordon étanche est incluse (se reporter à la Figure 8).

Les sections à haute tension sont pourvues de deux (2) ports de conduit 1/2 po NPT (filetés). Les raccords de conduit ne sont pas fournis (se reporter à la Figure 9).

1. Fixer la pompe à l'aide de la vis verte fournie. Mettre à la terre avant de connecter à une alimentation électrique. Ne pas mettre à la terre lorsque connecté à une conduite d'alimentation en gaz.
2. La grosseur du fil doit être adéquate pour minimiser la chute de tension pendant le démarrage et le fonctionnement de la pompe.
3. Soigneusement isoler toutes les connexions pour prévenir les mises à la terre ou les courts-circuits. Les arêtes vives sur les bornes nécessitent une protection supplémentaire. Pour la sécurité et pour empêcher l'entrée de contaminants, réinstaller tous les couvercles de boîtes de conduit et de bornes. Ne pas forcer les connexions dans la boîte de conduit.

REMARQUE L'alimentation électrique seule ne suffit pas pour faire fonctionner la pompe. Elle nécessite une commande numérique qui lui est envoyée par un contrôleur de vitesse variable (SpeedSet, JEP-R, iQPUMP01), ou un système d'automatisation (se reporter aux figures 8 et 9 pour les illustrations de schéma RS-485 d'un contrôleur local ou d'un système d'automatisation.).

3.2.4 Configuration contrôleur de pompe / système d'automatisation

Les pompes mentionnées dans ce manuel sont compatibles avec tous les contrôleurs Jandy et les systèmes d'automatisation suivants :

- Contrôleur SpeedSet (local)
- iQPUMP01 (local)
- JEP-R (local)
- Tous les systèmes d'automatisation Jandy

Chaque moteur est équipé d'un circuit de détection d'alimentation qui détermine automatiquement si 10 V de puissance devraient alimenter le câblage RS-485 afin d'alimenter l'interface du contrôleur local ou pour supprimer l'alimentation électrique de 10 V lorsque connecté à un système d'automatisation Jandy.

Ce circuit de détection d'alimentation automatique élimine le besoin des commutateurs DIP 1 et 2 actuellement sur les autres pompes Jandy.

S'assurer de débrancher le courant à la pompe et de retirer le capot d'accès sur le moteur. Connecter le câble RS-485 par la prise de cordon étanche fournie comme illustré sur la Figure 8. Relier le câble au connecteur RS-485 dans l'ordre suivant : Rouge(1), Noir(2), Jaune(3), Vert (4). Remettre le capot d'accès sur le moteur et remettre le courant.

Se reporter à l'interface utilisateur ou au manuel du système d'automatisation pour des instructions détaillées sur

l'installation et la programmation.

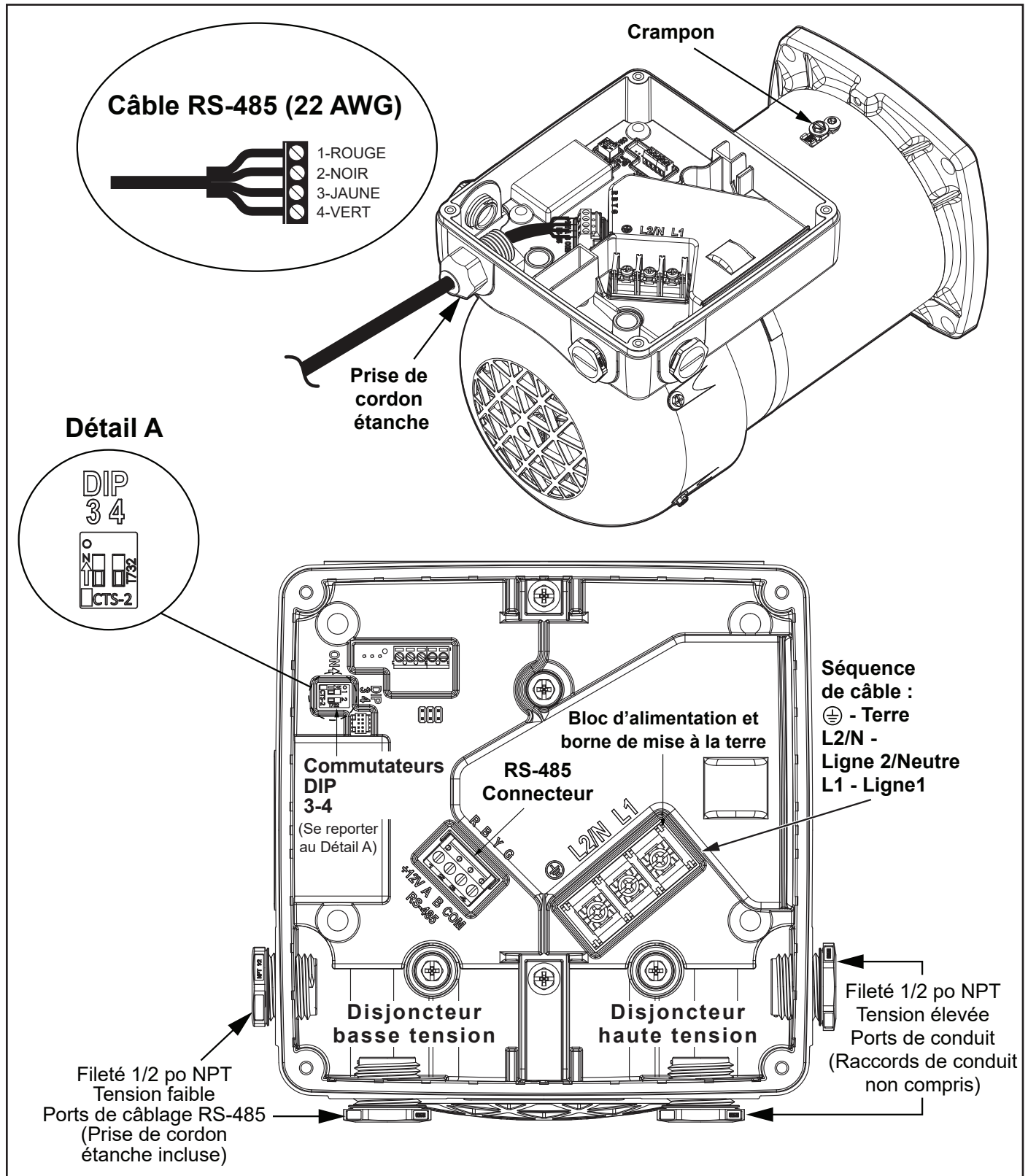


Figure 8. Schéma électrique (Alimentation principale de 115 V/230 V et connexion RS-485)

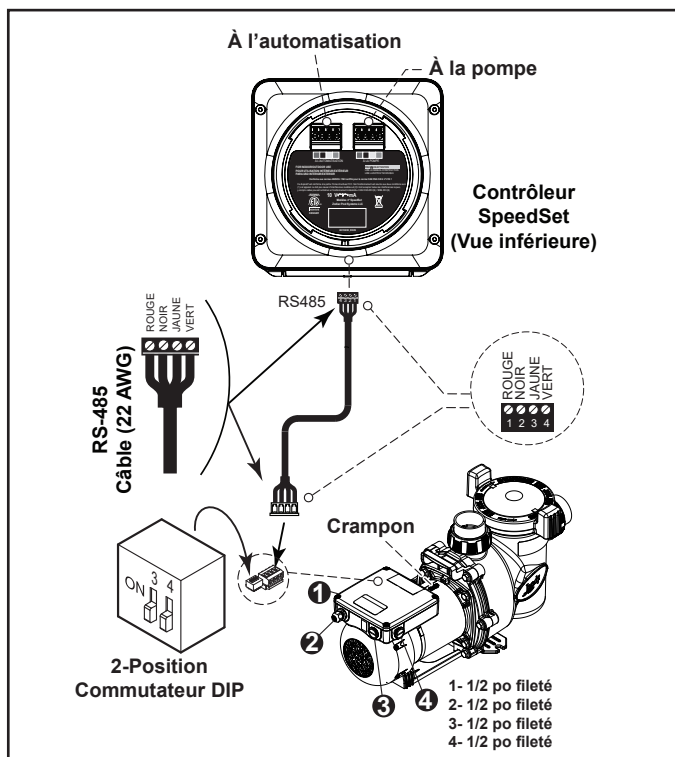


Figure 9. Câblage vers un contrôleur

3.3 Réglages du commutateur DIP pour pompe

3.3.1 Réglages du commutateur DIP avec contrôleur local

Se reporter au tableau suivant pour connaître les réglages des DIP 3 et 4 lorsque la pompe est connectée à un contrôleur local.

Contrôleur	Commutateur	Adresse de la pompe
JEP-R	DÉSACTIVÉ(E)	DÉSACTIVÉ(E)
IQPUMP01	DÉSACTIVÉ(E)	DÉSACTIVÉ(E)
SpeedSet	Les réglages des commutateurs DIP 3 et 4 doivent être désactivés à moins d'être connectés au système d'automatisation Jandy en utilisant la connexion d'intercommunication de câblage d'automatisation SpeedSet au bas du contrôleur. Le cas échéant, se reporter aux sections suivantes.	

Tableau 4. Réglages du commutateur DIP local du contrôleur

3.3.2 Réglages du commutateur DIP avec automatisation

Les règles de réglages des commutateurs DIP 3 et 4 ne sont pas communes à tous les systèmes d'automatisation Jandy. Faire référence aux sections suivantes pour comprendre les réglages requis.

Pour les utilisateurs du système d'automatisation Jandy AquaLink RS, les modifications de mise à jour semestrielle

2022 modifient la méthode selon lesquelles les pompes de ce manuel interagissent avec les systèmes Jandy AquaLink RS. Se reporter au manuel RS pour de plus amples informations.

3.3.3 Progiciel AquaLink® RS v avant 2022 et plus ancien

Les systèmes AquaLink RS utilisant le progiciel Rev V et plus ancien, fabriqué avant le milieu de 2022 est compatible avec jusqu'à quatre (4) pompes à vitesse variable. Une adresse de 1 à 4 est assignée à chaque pompe par commutateurs DIP 3 et 4 sur la pompe. Utiliser le tableau 4 pour les paramètres d'assignation d'adresse de pompe.

Ces paramètres sont utilisés lorsque connecté à la connexion RS-485 sur la pompe ou lorsque connecté à la pompe en utilisant une connexion d'intercommunication SpeedSet™ de câblage d'automatisation au bas du contrôleur.

Adresse	Commutateur 3	Commutateur 4
POMPE 1 (réglage par défaut)	Désactivé(e)	Désactivé(e)
POMPE 2	Activé(e)	Désactivé(e)
POMPE 3	Désactivé(e)	Activé(e)
POMPE 4	Activé(e)	Activé(e)

Tableau 5. Réglages du commutateur DIP

3.3.4 Progiciel AquaLink RS Rév W 2022 et plus récent

Les systèmes AquaLink RS utilisant la Rév W et plus récente, fabriqués après la mi-2022, sont compatibles avec jusqu'à (16) seize pompes à vitesse variable qui utilisent une ADRESSE DE POMPE préalablement assignée. Commutateurs DIP 3 et 4 non utilisés. Une ADRESSE DE SÉRIE est assignée à toutes les pompes dans ce manuel depuis l'usine. L'étiquette de l'ADRESSE DE SÉRIE se trouve sur le moteur de la pompe à l'endroit indiqué ci-dessous (Figure 10).

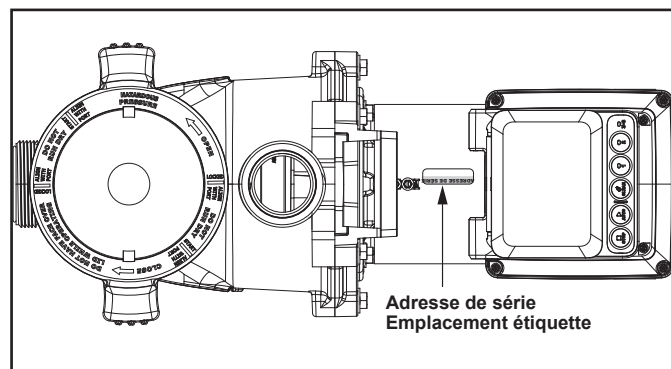


Figure 10. Emplacement de l'étiquette de l'adresse de série

Lors de la configuration des pompes en utilisant cette méthode, L'adresse de série de chaque pompe apparaîtra d'abord dans la section adresse de pompe non assignée de l'appli iAqualink ou d'autres dispositifs de configuration d'automatisation. Utiliser l'application ou un autre dispositif pour terminer la configuration de la pompe.

3.3.5 AquaLink TCX

L'AquaLink TCX est compatible avec une seule pompe à vitesse variable. Les commutateurs DIP 3 et 4 doivent toujours être réglés à la position OFF lorsque la pompe est connectée au système d'automatisation TCX. Ce qui s'avère aussi lorsque connecté à un système TCX utilisant le câblage d'intercommunication d'automatisation sur un contrôleur SpeedSet Jandy.

3.3.6 Autres systèmes d'automatisation Jandy

Les autres systèmes d'automatisation Jandy acceptent jusqu'à (4) quatre pompes à vitesse variable utilisant les commutateurs DIP 3 et 4 de la même manière que celle indiquée à la section 3.3.3.

3.4 Effectuer un test de pression

⚠ AVERTISSEMENT

Lors du test sous pression d'un système avec eau, l'air est souvent emprisonné dans le système pendant le processus de remplissage. Cet air se comprime lorsque le système est sous pression. Si le système fait défaut, cet air emprisonné peut projeter des débris avec une grande vitesse et blesser. Il faut prendre toutes les mesures possibles pour éliminer l'air emprisonné, y compris l'ouverture de la vanne sur le filtre et le desserrage du panier de la pompe pendant le remplissage de la pompe.

⚠ AVERTISSEMENT

La présence d'air coincé dans le système peut faire sauter le couvercle du filtre et entraîner la mort, de graves blessures ou des dommages matériels. Veiller à ce que tout l'air soit adéquatement purgé du système avant d'utiliser l'équipement. **NE PAS UTILISER D'AIR COMPRIMÉ POUR FAIRE UN TEST DE PRESSION NI VÉRIFIER LA PRÉSENCE DE FUITES.**

⚠ AVERTISSEMENT RISQUE DE CHOC ÉLECTRIQUE

Ne pas effectuer de test de pression au-delà de 2.41 BAR (35 PSI). Le test de pression doit être exécuté par un spécialiste en équipements de piscine. L'équipement de circulation qui n'est pas correctement testé risque de faire défaut, pouvant entraîner de graves blessures ou des dommages matériels.

⚠ AVERTISSEMENT

Lors d'un test de pression du système avec de l'eau, il est très important de s'assurer que le couvercle du panier de la pompe est bien fixé.

1. Avant de pressuriser le système, s'assurer que les indicateurs « verrouillé » de l'anneau de blocage s'alignent avec le côté de l'orifice d'aspiration et de pression sur la pompe.
2. Remplir le système d'eau pour éliminer l'air piégé.
3. Mettre le système sous pression avec de l'eau à pas plus de **2,41 BAR (35 PSI)**.
4. Fermer la valve pour piéger l'eau dans le système.
5. Vérifier si le système présente des fuites ou une baisse de pression.

6. S'il y a des fuites au couvercle, répéter la procédure. Pour obtenir le soutien technique Zodiac, composer le 800 822-7933

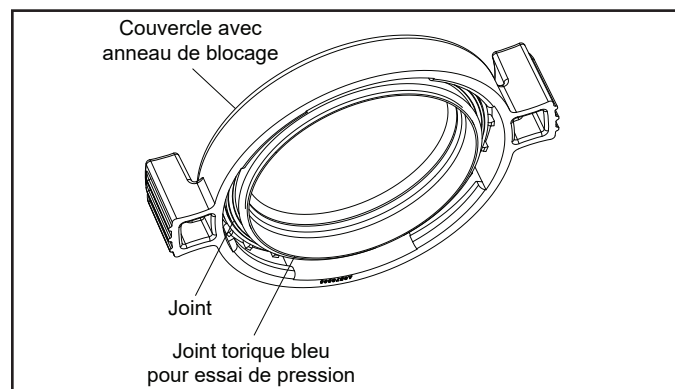


Figure 11. Joint torique bleu pour essai de pression

⚠ AVERTISSEMENT

RISQUE DE CHOC ÉLECTRIQUE

En raison du risque potentiel d'incendie, d'électrocution ou de blessures corporelles, les pompes Jandy® doivent être installées conformément au National Electrical Code® (NEC®), aux codes électriques et de sécurité locaux, ainsi que selon la loi Occupational Safety and Health Act (OSHA). Il est possible de commander des copies du NEC auprès de la National Fire Protection Association, 1 Batterymarch Park, Quincy, MA 02169, États-Unis, ou de votre agence d'inspection du gouvernement.

Au Canada, les pompes Jandy doivent être installées conformément au Code canadien de l'électricité (CCE).

⚠ AVERTISSEMENT

RISQUE DE CHOC ÉLECTRIQUE

Éteindre la pompe et le disjoncteur principal du circuit électrique de la pompe avant de lancer la procédure. Tout défaut de se conformer peut entraîner un risque d'électrocution entraînant de grave blessure corporelle ou la mort.

Section 4. Fonctionnement

4.1 Mise en route

MISE EN GARDE

Ne jamais utiliser la pompe sans eau. Faire fonctionner la pompe « à sec » pendant un certain temps peut causer de graves dommages à la pompe et au moteur, et pourrait annuler la garantie.

Lors d'une installation de piscine neuve, veiller à ce que toute la tuyauterie soit libre de débris de construction et qu'elle ait été adéquatement testée sous pression. La bonne installation du filtre doit être vérifiée ainsi que la fixation des connexions et des colliers conformément aux recommandations du fabricant.

AVERTISSEMENT

Pour éviter tout risque de dommages matériels ou de blessures corporelles, voire la mort, vérifier que l'alimentation est coupée avant de commencer ces étapes.

4.1.1 Pompe sous le niveau de l'eau

1. S'assurer que le couvercle de la pompe est bien sécurisé en vérifiant les indicateurs « Verrouillé » sont alignés avec les orifices de la pompe. **Serrer à la main seulement**, ne pas utiliser d'outils. Veiller à ce que les valves soient ouvertes et que les raccords de la pompe soient serrés.
2. Ouvrir toutes les vannes d'isolement qui pourraient être en place entre la pompe et le ou les principaux drains et la ou les crépines de la piscine.
3. Ouvrir la soupape de décharge d'air qui se trouve sur le filtre. Cela permettra à l'air de s'échapper du système et de remplir la pompe d'eau avec de l'eau pour l'amorçage.
4. Rétablir l'alimentation vers la pompe et démarrer la pompe.
5. Lorsque l'eau commence à sortir de la soupape de décharge d'air sur le filtre, fermer la soupape de décharge d'air.
6. Inspecter le système et afin de savoir si une fuite est présente.

4.1.2 Pompe au-dessus du niveau de l'eau

1. Ouvrir la soupape de décharge d'air qui se trouve sur le filtre.
2. Retirer le couvercle de la pompe et remplir le panier avec de l'eau.
3. Avant de replacer le couvercle, vérifier qu'il n'y a pas de débris autour du siège du joint torique du couvercle. Des débris autour du joint torique dans le couvercle pourraient provoquer une fuite d'air et rendre difficile l'amorçage de la pompe.

4. Serrer le couvercle de la pompe en vérifiant les indicateurs « Verrouillé » sont alignés avec les orifices de la pompe. **Serrer à la main seulement**, ne pas utiliser d'outils. Veiller à ce que toutes les valves soient ouvertes et que les raccords de la pompe soient serrés.
5. Rétablir l'alimentation vers la pompe et démarrer la pompe.
6. Une fois que la pompe est amorcée et que l'eau sort de la soupape de décharge d'air sur le filtre, fermer la soupape de décharge d'air et inspecter le système afin de savoir si une fuite est présente.

REMARQUE Toutes les pompes dans ce manuel sont certifiées NSF comme pouvant pomper à une hauteur de 3 mètres (10 pi) au-dessus du niveau de l'eau de la piscine, au niveau de la mer. Cependant, pour parvenir à un meilleur auto-amorçage, installer la pompe aussi près que possible du niveau de l'eau de la piscine.

Se reporter aux Recommandations d'installation à la Section 3.1.3 pour connaître la bonne élévation et grandeur de tuyau.

Le régime d'amorçage par défaut est de 2 750 tr/min. Il faudra environ 15 minutes pour amorcer la pompe à ce régime d'amorçage lorsque la pompe est située à 3 mètres (10 pieds) au-dessus de l'eau de la piscine. Si le régime d'amorçage est réglé à 3 450 tr/min, la pompe devrait s'amorcer dans les 8 minutes à 3 mètres (10 pieds) au-dessus du niveau de l'eau.

Si la pompe ne s'amorce pas et toutes les instructions à ce stade ont été respectées, vérifier s'il y a une fuite d'aspiration. S'il n'y a pas de fuite, répéter les étapes 1 à 5.

Pour une assistance technique, appeler le soutien technique Zodiac au 800 822-7933.

REMARQUE Si la plomberie du système est plus grosse que 5 cm (2 po), la pompe peut prendre jusqu'à 20 minutes pour s'amorcer à 3 450 tr/min.

Section 5. Service et entretien

⚠ MISE EN GARDE

Pour éviter d'endommager le plastique, ne pas utiliser de lubrifiant ni de mastic sur le joint torique. Il faut utiliser seulement de l'eau savonneuse pour installer et lubrifier le joint torique.

Nettoyer le panier de la pompe

Les débris qui s'accumulent dans le panier du filtre de la pompe commenceront à bloquer l'écoulement de l'eau. Pour une performance de la pompe, le panier du filtre de la pompe devra être inspecté et nettoyé sur une base hebdomadaire. Selon l'emplacement et l'environnement de la piscine, des inspections plus fréquentes peuvent être nécessaires.

1. Inspecter s'il y a des débris dans le panier du filtre de la pompe en regardant à travers le couvercle transparent de la pompe. Ceci peut être effectué que la pompe soit en marche ou non. Si des débris se sont accumulés, passer à l'étape 2.
2. Couper l'alimentation à la pompe. Si la pompe se trouve sous le niveau de l'eau, fermer les valves d'isolation sur les côtés aspiration et décharge de la pompe pour empêcher le refoulement de l'eau.
3. Tourner l'anneau de blocage dans le sens anti-horaire jusqu'à ce que le mot START (Démarrage) soit aligné avec les ports. Retirer le couvercle.
4. Sortir le panier de la pompe.
5. Jeter les débris et bien nettoyer le panier, en s'assurant que tous les trous sont ouverts. En utilisant le boyau d'arrosage, asperger le panier depuis l'extérieur pour aider à dégager les trous. Retirer les débris restants.
6. Replacer le panier dans la pompe en alignant l'ouverture avec le tuyau d'aspiration. S'il est bien aligné, le panier descendra facilement en place. Ne pas le forcer en place.

⚠ MISE EN GARDE

Un panier mal aligné ne permettra pas de poser correctement le couvercle, provoquant une fuite d'air, qui pourrait entraîner des dommages à la pompe.

7. Retirer le joint d'étanchéité du couvercle et retirer les débris autour du siège du joint d'étanchéité, car ceci peut permettre l'entrée d'air dans le système. Nettoyer le joint d'étanchéité et le poser sur le couvercle.
8. Reposer le couvercle avec l'anneau de blocage. Serrer le couvercle à la main pour assurer une bonne étanchéité. Ne pas utiliser d'outil pour serrer le couvercle : **Serrer à la main seulement.**
9. Vérifier que toutes les vannes sont de nouveau à la bonne position pour une opération normale.
10. Ouvrir le clapet de décharge de pression sur le filtre, et veiller à ce qu'il soit propre et prêt à fonctionner.
11. Mettre la pompe sous tension. Lorsque l'air a été évacué du filtre, fermer le clapet de décharge de pression.

5.1 Retrait du couvercle de la pompe

1. S'assurer que la pompe est éteinte.
2. S'assurer que le commutateur au coupe-circuit qui alimente le moteur de la pompe est hors tension.
3. S'assurer que toutes les valves d'isolation nécessaires sont fermées pour empêcher l'eau d'atteindre la pompe.
4. En suivant les repères sur l'anneau de blocage, tourner la bague dans le sens anti-horaire jusqu'à ce que les repères de démarrage (START) s'alignent avec les ports. Voir la Figure 13 et 15.
5. Retirer délicatement l'anneau de blocage

⚠ AVERTISSEMENT

RISQUE DE CHOC ÉLECTRIQUE

Éteindre tous les commutateurs et le disjoncteur principal du circuit électrique de la pompe à vitesse variable avant de commencer la procédure. Le défaut de se conformer peut entraîner un risque d'électrocution entraînant de grave blessure corporelle ou la mort.

⚠ AVERTISSEMENT

RISQUE DE CHOC ÉLECTRIQUE

En raison du risque potentiel d'incendie, d'électrocution ou de blessures corporelles, les pompes Jandy® doivent être installées conformément au National Electrical Code® (NEC®), aux codes électriques et de sécurité locaux, ainsi que selon la loi Occupational Safety and Health Act (OSHA). Il est possible de commander des copies du NEC auprès de la National Fire Protection Association, 1 Batterymarch Park, Quincy, MA 02169, États-Unis, ou de votre agence d'inspection du gouvernement.

Au Canada, les pompes Jandy doivent être installées conformément au Code canadien de l'électricité (CCE).

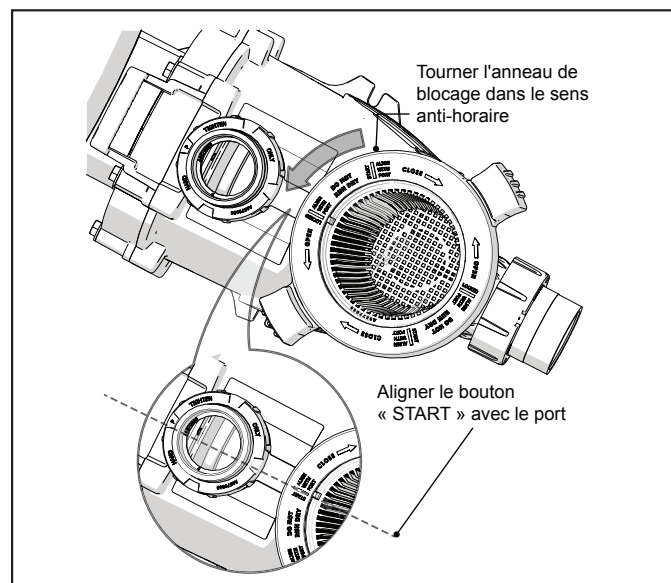


Figure 12. DÉVERROUILLER L'ANNEAU DE BLOCAGE

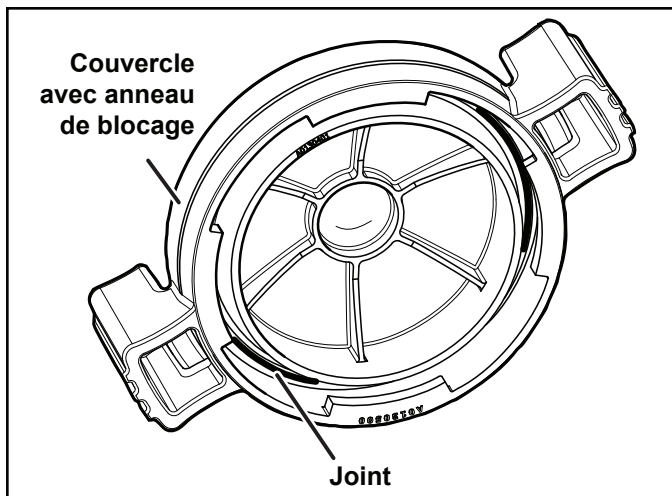


Figure 13. Joint torique dans le couvercle

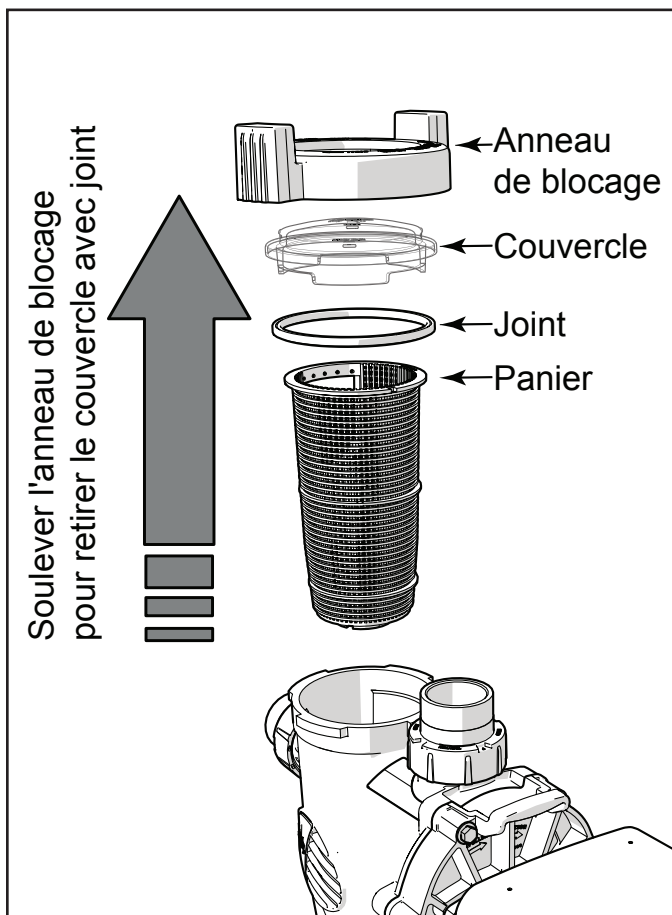


Figure 14. Retirer le couvercle de la pompe

5.2 Préparation de la pompe pour l'hiver

⚠ MISE EN GARDE

La pompe **doit être** protégée en prévision des températures de gel. Si la pompe gèle, cela causera de graves dommages qui pourraient annuler la garantie.

⚠ MISE EN GARDE

Ne pas utiliser de solutions d'antigel dans les systèmes de piscine, de spa ou de cuve thermique. L'antigel est très toxique et peut endommager le système de circulation. La seule exception est le propylène glycol. Pour plus d'informations, consulter le détaillant local en piscine/spa ou prendre contact avec une entreprise d'entretien de piscine qualifiée.

1. Vidanger toute l'eau de la pompe, de l'équipement du système et de la tuyauterie.
2. Retirer les deux (2) bouchons de vidange. Ranger les bouchons de vidange dans un endroit sûr et les réinstaller lorsque la saison froide est terminée. **Veiller à ne pas égarer les bouchons de vidange et les joints toriques.**
3. Garder le moteur couvert et au sec. Ne pas couvrir la pompe avec du plastique, car ceci peut créer de la condensation susceptible d'endommager la pompe.

REMARQUE

Zodiac Pool Systems LLC recommande de faire déconnecter le câblage électrique au commutateur ou à la boîte de jonction par un technicien d'entretien ou un électricien certifié. Une fois l'alimentation coupée, desserrer les deux (2) raccords et ranger les pompes à l'intérieur. Pour la sécurité et pour empêcher l'entrée de contaminants, réinstaller tous les couvercles de boîtes de conduit et de bornes.

4. Lorsque le système est rouvert pour la mise en marche, demander à un technicien ou un électricien de vérifier que toute la tuyauterie, toutes les valves, tout le câblage et l'équipement sont conformes aux recommandations du fabricant. Prêter une attention particulière au filtre et aux connexions électriques.
5. La pompe doit être amorcée avant d'être démarrée. Se reporter à la section 4.1. La mise en marche.

Section 6. Dépannage et réparation

Zodiac Pool Systems LLC vous recommande fortement d'appeler un technicien qualifié pour toute intervention sur le système de filtre/pompe. Pour trouver un technicien qualifié, consulter les pages jaunes de votre région ou visiter ZodiacPoolSystems.com ou ZodiacPoolSystems.ca et cliquer sur « Points de vente ».

Symptôme	Cause possible/Solution
Le moteur ne démarre pas ou le contrôleur ne détecte pas le moteur.	Pas de courant au moteur. Demander à un professionnel certifié de vérifier la tension sur la borne d'alimentation principale avec le disjoncteur activé. La tension doit être autour des 10 % de la tension indiquée sur la plaque signalétique du moteur.
	Le moteur a expérimenté une erreur. Mettre le moteur hors tension. Si le moteur a rencontré une erreur, un code d'erreur peut apparaître sur le contrôleur. Pour effacer l'erreur, désactiver le disjoncteur principal connecté au moteur. Attendre au moins 5 minutes avant de remettre le moteur sous tension. La tension dans les condensateurs doit être complètement drainée pour un cycle d'alimentation adéquat.
	Mauvais câblage basse tension. La connexion RS-485 doit être sécurisée sans aucun fil coupé. Inspecter le câblage basse tension à la recherche de signes de corrosion. Si nécessaire, couper les fils et dénuder les nouveaux fils. S'assurer qu'il n'y a pas de morceaux de fil coupés à l'intérieur du connecteur RS-485.
	Câblage basse tension coupé. Le fil peut avoir des ruptures quelque part entre le moteur et le contrôleur. Lorsque tout est hors tension, prendre un multimètre et le régler sur Ohms/Continuité. Vérifier la continuité de chacune des lignes basse tension du côté moteur au côté contrôleur. Remplacer complètement les fils RS-485 si nécessaire.
	Mauvais câblage basse tension. Vérifier le câblage du connecteur RS-485. Les couleurs des fils pour les broches 1 à 4 doivent être rouge, noir, jaune et vert.
	Tester le lecteur avec la méthode du cavalier RS-485. En utilisant de petites sections de fil 22 AWG, relier les broches 1 à 3 et 2 à 4. Ces fils peuvent être fabriqués en coupant une section des fils RS-485. Réinstaller le connecteur et fixer le capot d'accès. Injecter le courant au moteur. Le moteur doit tourner à 2 600 tr/min. Si le moteur fonctionne, il y a un problème avec la ligne RS-485 ou avec le contrôleur. Appeler le soutien technique Zodiac au 800 822-7933
	Les commutateurs DIP dans la mauvaise configuration. Le variateur de vitesse a deux commutateurs DIP 3 et 4. Ceux-ci doivent tous deux être en position OFF pour la Pompe 01. C'est la configuration pour tous les contrôleurs qui ne sont pas automatisés et la première pompe pour l'automatisation. Si plusieurs pompes à vitesse variable sont contrôlées avec un système d'automatisation, elles doivent être dans la configuration appropriée. Se reporter à la section sur les commutateurs DIP du manuel pour configurer les autres moteurs.
	Vérifier la cédule. Le moteur ne s'allume que pendant les durées programmées définies dans le contrôleur. Vérifier que le moteur est programmé pour s'allumer à ce moment.
Si le moteur a encore des problèmes de démarrage ou continue à afficher des défauts, appeler le soutien technique Zodiac au 800 822-7933	
Le moteur démarre, mais s'arrête peu après	Des débris peuvent être coincés entre la roue et le diffuseur. Cela empêchera l'arbre d'entraînement de tourner et causera une erreur au moteur. Faites vérifier par un professionnel agréé si l'arbre de transmission est grippé et hors tension. Un test rapide peut consister à insérer une clé Allen de 5/16 po à l'arrière du boîtier du ventilateur et dans l'arbre d'entraînement. Faites tourner manuellement l'arbre d'entraînement pour vérifier s'il est grippé. Si de grandes quantités de débris sont trouvées, vérifier qu'il n'y ait pas de fissures dans votre panier crépine. Remplacer le panier crépine si nécessaire.
	Si le moteur a encore des problèmes de démarrage, appeler le soutien technique Zodiac au 800 822-7933
Le moteur devient chaud et s'éteint régulièrement	Veiller à ce qu'il y a suffisamment de place autour du moteur pour que l'air circule et maintienne le moteur frais. Demander à un électricien qualifié de vérifier le serrage des connexions électriques ainsi que la tension du moteur lorsqu'il est en fonction. Si la tension principale est en dehors de 10 % de la plaque signalétique du moteur, le moteur peut être soumis à des charges excessives. Contacter le fournisseur de surface d'alimentation local.

Symptôme	Cause possible/Solution
Aucune alimentation au niveau du contrôleur.	Ceci est exclusif à tout contrôleur qui n'est pas un système d'automatisation. Le moteur peut alimenter les contrôleurs via la ligne RS-485. Demander à un électricien certifié de tester la tension sur la ligne RS-485 tant que le moteur est sous tension. Il devrait y avoir entre 8 et 12 Volts CC entre les broches 1 et 4. Si la tension est inférieure ou nulle, appeler le soutien technique Zodiac au 800 822-7933
	Mauvais câblage basse tension. Vérifier le câblage du connecteur RS-485. Les couleurs des fils pour les broches 1 à 4 doivent être rouge, noir, jaune et vert.

6.1 Entretien par un technicien

MISE EN GARDE

Cette pompe doit être entretenue par un technicien d'entretien professionnel et qualifié en installation de piscine/spa. Les procédures suivantes doivent être suivies à la lettre. Une mauvaise installation et/ou le fonctionnement peut présenter de dangereux risques électriques, ce qui peut causer des tensions élevées à travers le système électrique. Ceci peut causer un dommage matériel, de graves blessures corporelles et/ou la mort. Une mauvaise installation ou utilisation annule la garantie.

AVERTISSEMENT

Avant de procéder à l'entretien de la pompe, mettre hors tension les disjoncteurs à la source d'alimentation. De graves blessures corporelles ou la mort peuvent se produire si la pompe démarre lorsque votre main est à l'intérieur de la pompe.

6.1.1 Rotor bloqué

1. Arrêter la pompe. Couper le disjoncteur au moteur de la pompe.
2. Retirer le couvercle et le panier.
3. Regarder s'il y a des débris à l'intérieur de la pompe et les retirer.
4. Replacer le panier et le couvercle.
5. Réactiver le disjoncteur au moteur de la pompe.
6. Allumer la pompe pour voir si le problème est résolu.
7. Si l'impulseur est toujours bloqué par des débris et qu'il n'est pas possible de les retirer en suivant l'étape 2 à 4, il faudra démonter la pompe pour accéder à l'entrée et à la sortie de l'impulseur.

Section 7. Spécifications du produit et données techniques

Vue éclatée pour référence générale seulement. Des modèles spécifiques peuvent différer. Se reporter aux coordonnées ci-dessous pour obtenir des informations sur les pièces de rechange de modèles de pompes spécifiques. Pour obtenir une liste complète des pièces de rechange, visiter le site www.jandy.com ou appeler le soutien technique Zodiac au 1 800 822-7933 ou envoyer un courriel à l'adresse productsupport@fluidra.com. Au Canada, appeler le 1 888 647 4004 ou envoyer un courriel à customer.service@fluidra.com.

7.1 Vues éclatées

- | | |
|--|--|
| 1 - Moteur, Entraînement | 12 - Anneau de blocage et joint torique |
| 2 - Moteur, Matériel | 13 - Panier filtre pour débris de pompe |
| 3 - Capot de ventilateur | 14 - About (2), joint torique (2) et écrou-raccord (2) |
| 4 - Pied de montage moteur | 15 - Joint d'étanchéité mécanique |
| 5 - Matériel de la Plaque arrière | 16 - Bouchon de vidange avec joint torique (2) |
| 6 - Plaque arrière | 17 - Petite base ajustable avec entretoises (Modèles VSFHP uniquement) |
| 7 - Joint torique de la plaque arrière | 18 - Support d'interface utilisateur |
| 8 - Rotor et matériel | 19 - Interface utilisateur |
| 9 - Diffuseur et matériel | 20 - Prise de cordon étanche |
| 10 - Joint torique du diffuseur | * - Grande Base ajustable (N° de pièce R0546400 en option pour utilisation avec Modèles VSFHP seulement) |
| 11 - Corps de pompe | |

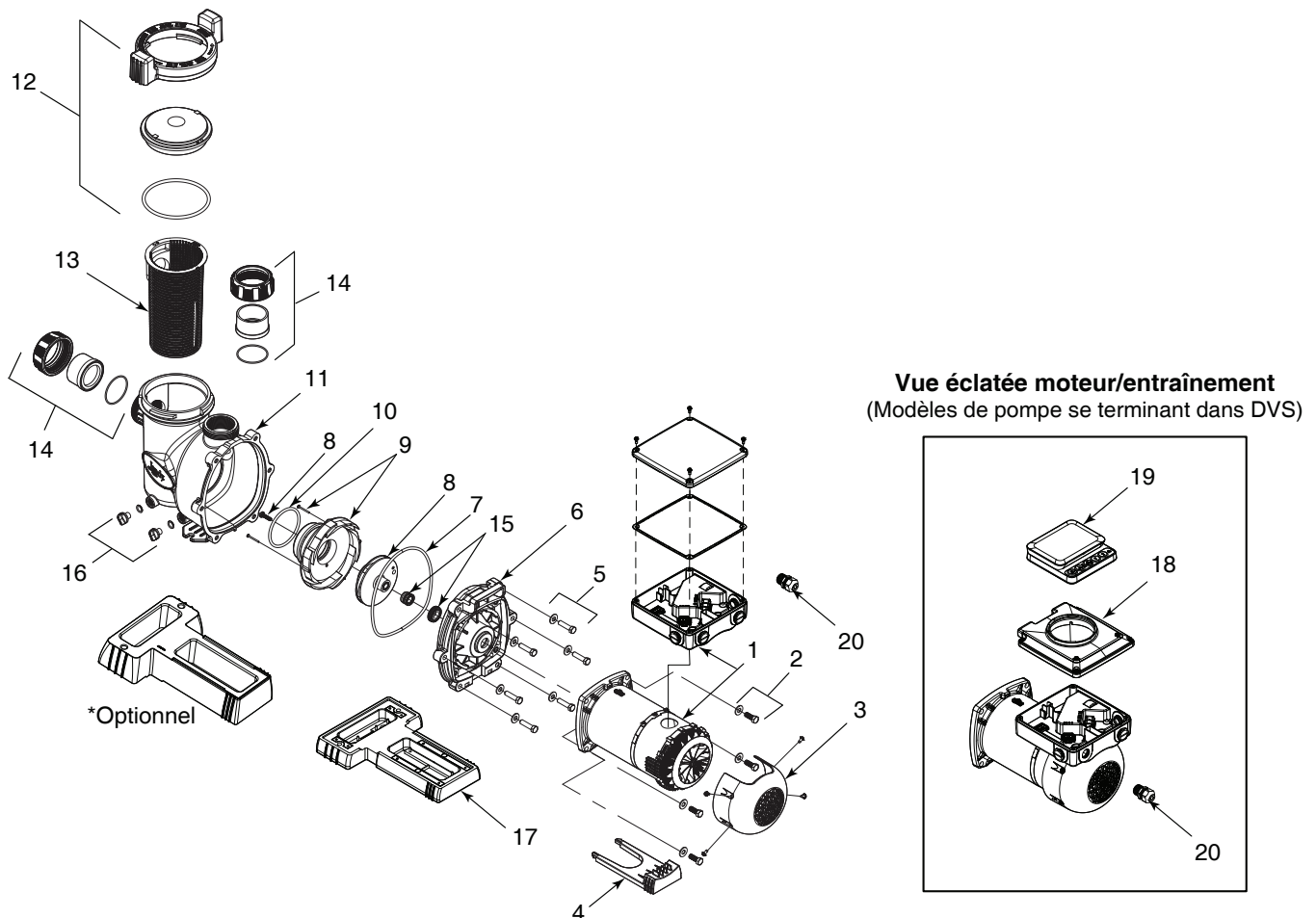
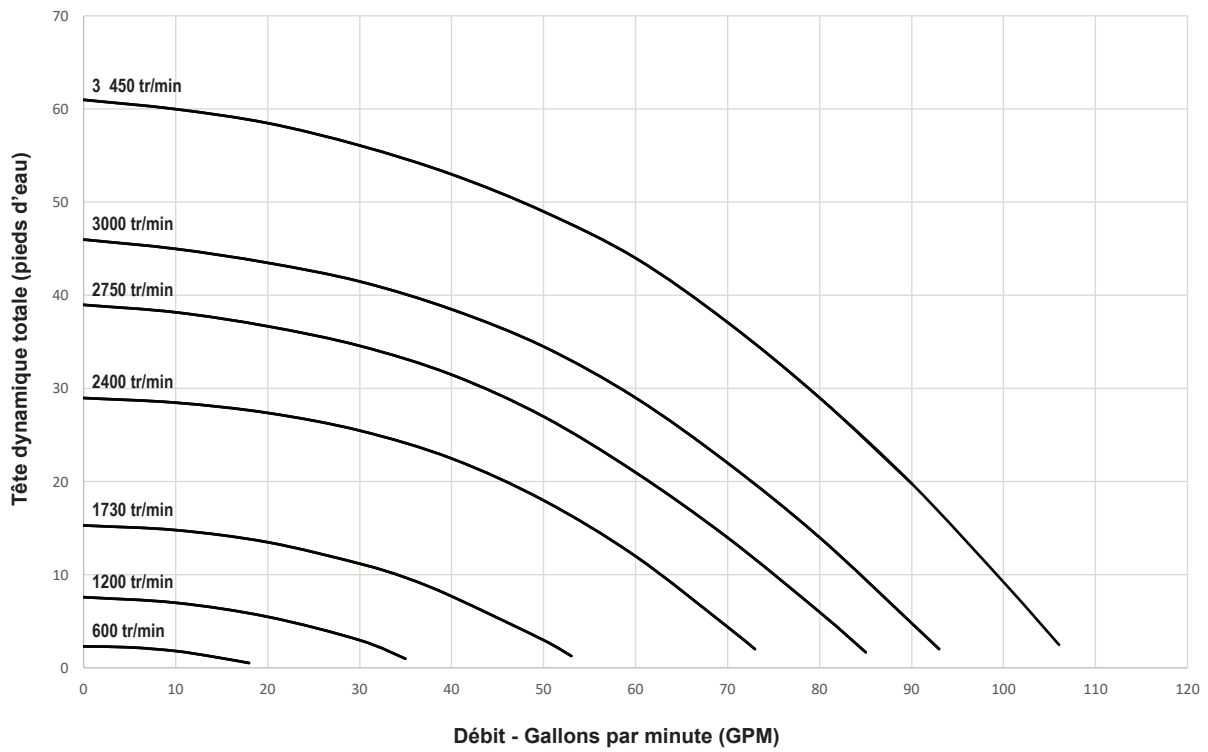


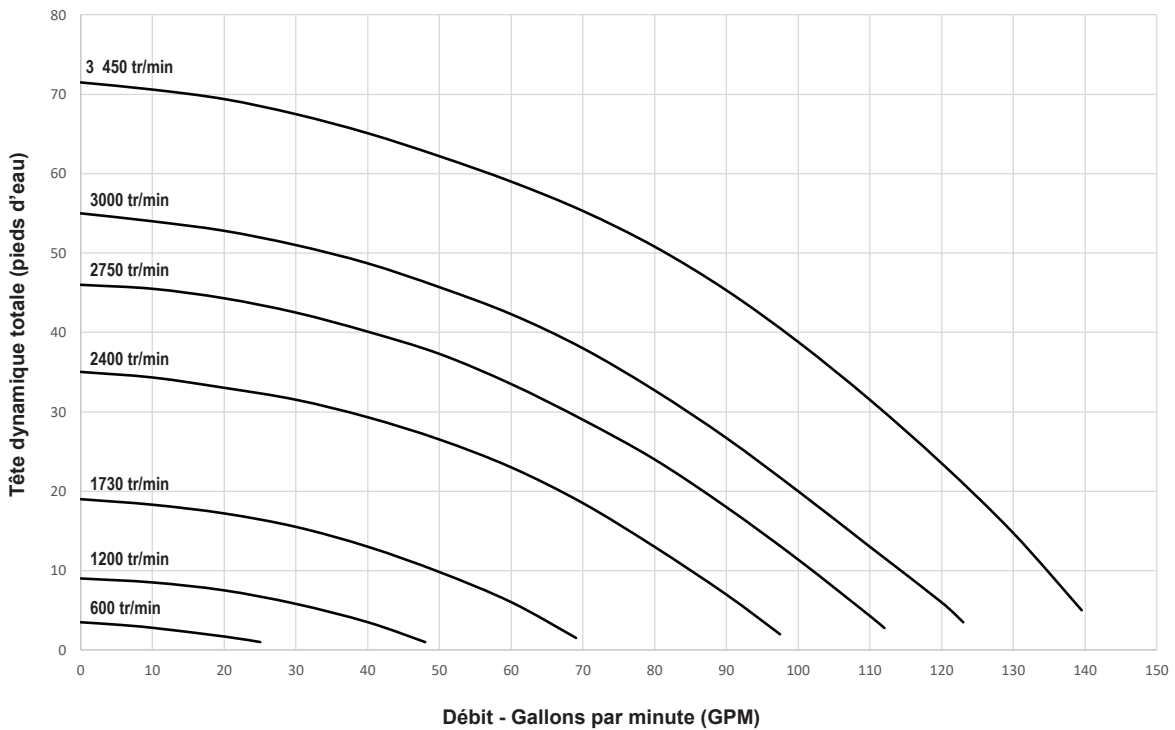
Figure 16. Vue éclatée de pompes à vitesse variable Jandy (certains modèles spécifiques peuvent différer de l'illustration)

7.2 Courbes de performance

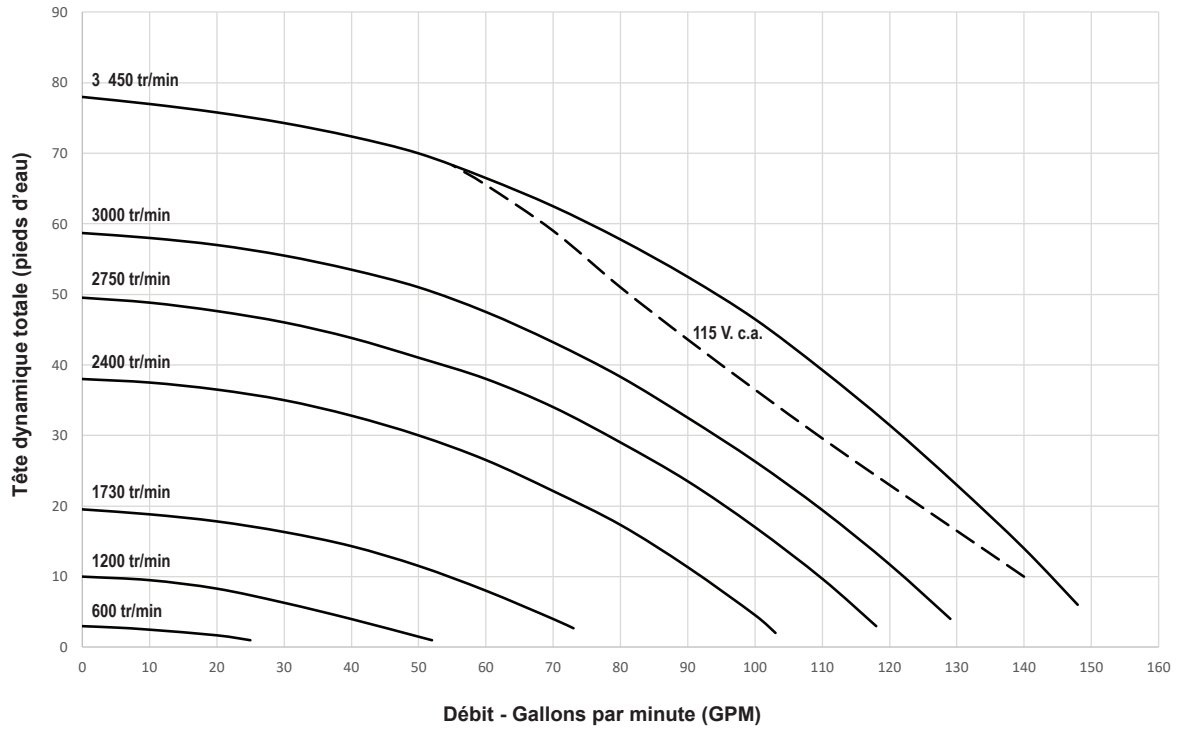
Courbes de pompe VSFHP130DV(S) - 115 V/230 V



Courbes de pompe VSFHP165DV(S) - 115 V/230 V



VSFHP185DV(S) Courbes de pompe - 115 V/230 V



Zodiac Pool Systems LLC

2882 Whiptail Loop #100, Carlsbad, CA 92010 USA

États-Unis | 1.800.822.7933 | www.Jandy.com

Zodiac Pool Systems Canada, Inc.

2-3365 Mainway, Burlington, Ontario, L7M 1A6 Canada

+ 1.888.647.4004 | www.Jandy.ca

©2023 Zodiac Pool Systems LLC Tous droits réservés. ZODIAC® est une marque déposée de Zodiac International, S.A.S.U., utilisée sous licence. Toutes les autres marques de commerce mentionnées sont la propriété de leurs propriétaires respectifs.

H0719301 RévA



ETL LISTED
CONFORMS TO
UL STD 1081

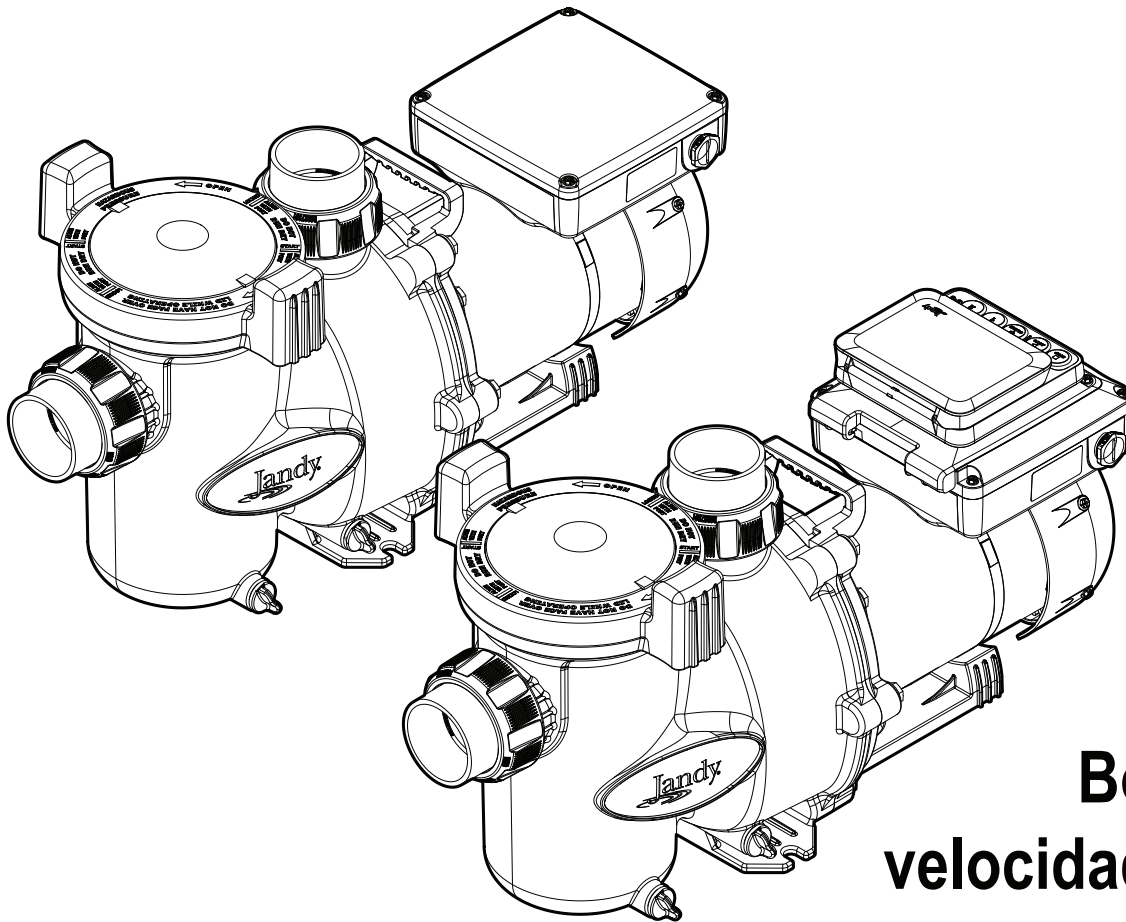
Certified to
CAN/CSA C22.2
No. 108





MANUAL DE INSTALACIÓN Y OPERACIÓN

ESPAÑOL



Bombas de velocidad variable

Jandy

VSFHP130DV
VSFHP165DV
VSFHP185DV

VSFHP130DVS
VSFHP165DVS
VSFHP185DVS



⚠ ADVERTENCIA

PARA SU SEGURIDAD: La instalación y el servicio de este producto deben estar a cargo de un contratista cualificado y matriculado para trabajar con equipamientos para piscinas en la jurisdicción en la que se instalará el producto, donde existan tales requisitos estatales o locales. La persona encargada del mantenimiento debe ser profesional y contar con experiencia suficiente en la instalación y el mantenimiento de equipos para piscinas, para que todas las instrucciones de este manual se puedan seguir con exactitud. Antes de instalar este producto, lea y siga todos los avisos de advertencia y todas las instrucciones que se proporcionan con el producto. Si no se siguen los avisos de advertencia o las instrucciones, es posible que se produzcan daños materiales, lesiones personales o la muerte. Una instalación u operación incorrectas pueden anular la garantía. **NO MODIFIQUE ESTE EQUIPO.**



La instalación o la operación inadecuadas pueden generar peligros eléctricos no deseados que pueden provocar lesiones graves, daños materiales o la muerte.

ATENCIÓN, INSTALADOR: Este manual contiene información importante acerca de la instalación, la operación y la utilización seguras de este producto. Esta información debe ser entregada al dueño u operador de este equipo.

Contenido

Sección 1. Instrucciones importantes de seguridad 51

- 1.1 Instrucciones de seguridad 51
- 1.2 Pautas para la prevención de atrapamiento por la succión de la bomba 53

Sección 2. Descripción general 54

- 2.1 Introducción 54
- 2.2 Dimensiones del producto 54
- 2.3 Especificaciones del producto 55
- 2.4 Contenido del producto 55

Sección 3. Información sobre la instalación 57

- 3.1 Tuberías 57
- 3.2 Instalación eléctrica 59
- 3.3 Configuración del interruptor DIP de la bomba 62
- 3.4 Llevar a cabo la prueba de presión 63

Sección 4. Operación 64

- 4.1 Puesta en funcionamiento 64

Sección 5. Servicio y mantenimiento 65

- 5.1 Quitar la tapa de la bomba 65
- 5.2 Preparación de la bomba para el invierno 66

Sección 6. Resolución de problemas y reparación 67

- 6.1 Mantenimiento del técnico de servicio 68

Sección 7. Especificaciones del producto y datos técnicos 69

- 7.1 Vistas ampliadas 69
- 7.2 Curvas de desempeño 70

REGISTRO DE INFORMACIÓN DEL EQUIPO

FECHA DE INSTALACIÓN _____

INFORMACIÓN DEL INSTALADOR _____

LECTURA INICIAL DEL MANÓMETRO (CON FILTRO LIBRE) _____

MODELO DE BOMBA _____ CABALLOS DE FUERZA _____

NOTAS:

Sección 1. Instrucciones importantes de seguridad

LEA Y SIGA TODAS LAS INSTRUCCIONES

1.1 Instrucciones de seguridad

Todos los trabajos de electricidad deben ser realizados por un electricista matriculado y adherir a todas las normativas nacionales, estatales y locales. Cuando se instale y utilice este equipo eléctrico, se deberán seguir siempre las siguientes precauciones básicas de seguridad:

ADVERTENCIA

PELIGRO DE ATRAPAMIENTO POR SUCCIÓN QUE, SI NO SE EVITA, PUEDE PROVOCAR LESIONES GRAVES O LA MUERTE. No bloquee la succión de la bomba, ya que esto puede provocar lesiones graves o la muerte. No use esta bomba para piscinas infantiles, piscinas de poca profundidad o hidromasajes que contengan drenajes en el fondo, a menos que la bomba esté conectada a por lo menos a dos (2) salidas de succión en funcionamiento. Los conjuntos de salida (drenaje) de succión y sus cubiertas deben estar certificados según la edición publicada más recientemente de ANSI®/ASME® A112.19.8, o su norma sucesora, ANSI/APSP-16.

ADVERTENCIA

Para reducir el riesgo de lesiones, no permita que los niños usen este producto.

ADVERTENCIA

Para reducir el riesgo de daños materiales o lesiones, no intente cambiar la posición de la válvula de reextracción (multipuerto, deslizante o de flujo completo) con la bomba en funcionamiento.

ADVERTENCIA

Las bombas Jandy están impulsadas por un motor eléctrico de alto voltaje y deben ser instaladas por un electricista matriculado o certificado o por un técnico de servicio de piscinas cualificado.

ADVERTENCIA

Debido al posible riesgo de incendios, descargas eléctricas o lesiones, las bombas Jandy deben instalarse en conformidad con National Electrical Code® (NEC®), todos los códigos eléctricos y de seguridad locales y la Ley de Seguridad y Salud Ocupacionales (*Occupational Safety and Health Act*, OSHA). Es posible pedir ejemplares de NEC a National Fire Protection Association, 1 Batterymarch Park, Quincy, MA 02169, o a su organismo gubernamental de inspección local.

ADVERTENCIA

RIESGO DE DESCARGAS ELÉCTRICAS, INCENDIOS, LESIONES PERSONALES O MUERTE. (Para todas las unidades instaladas de manera permanente previstas para utilización a 15 o 20 amperios, ramales monofásicos de 120 a 240 voltios). Conecte solamente a un ramal que incluya protección con un interruptor de circuito por falla a tierra (GFCI) para el personal. Contacte a un electricista autorizado si no puede verificar que el circuito está protegido por un GFCI. El instalador debe proporcionar un GFCI, que debe probarse con frecuencia. Para probar el GFCI, presione el botón de prueba. El GFCI debe interrumpir la energía. Presione el botón Reset (Restablecer). La energía debe restablecerse. Si el GFCI no funciona de esta forma, significa que tiene algún defecto. Si el GFCI interrumpe la alimentación a la bomba sin que se presione el botón de prueba, significa que hay corriente de tierra, lo que a su vez indica la posibilidad de descargas eléctricas. No utilice el dispositivo. Desconecte el dispositivo y solicite a un representante de servicio cualificado que solucione el problema antes de utilizarlo.

ADVERTENCIA

Un equipo instalado incorrectamente puede fallar y provocar lesiones graves o daños materiales.

⚠ ADVERTENCIA

- No conecte el sistema a un sistema de agua municipal sin regular ni a ninguna otra fuente externa de agua presurizada que produzca presiones de más de 35 PSI.
- El aire atrapado en el sistema puede provocar que la tapa del filtro salga expulsada, lo que puede provocar la muerte, lesiones personales graves o daños materiales. Asegúrese de que no haya nada de aire en el sistema antes de operarlo.

⚠ ADVERTENCIA

Para minimizar el riesgo de lesiones graves o de muerte, no se deben someter el filtro ni la bomba a la prueba de presurización del sistema de tuberías.

Las normativas locales pueden requerir que el sistema de tuberías de la piscina sea sometido a una prueba de presión. Estos requisitos no suelen estar destinados a los equipos para piscinas como filtros o bombas.

Los equipos para piscinas Zodiac® se someten a pruebas de presión en la fábrica.

Sin embargo, si no se puede respetar la ADVERTENCIA y las pruebas de presión del sistema de tuberías deben incluir el filtro y la bomba, ASEGÚRESE DE CUMPLIR LAS SIGUIENTES INSTRUCCIONES DE SEGURIDAD:

- Verifique en su totalidad las abrazaderas, los tornillos, las tapas, los anillos de bloqueo y los accesorios del sistema para asegurar que estén correctamente instalados y fijos antes de la prueba.
- **LIBERE TODO EL AIRE** del sistema antes de la prueba.
- La presión de agua para la prueba **NO DEBE EXCEDER LOS 35 PSI**.
- La temperatura del agua para la prueba **NO DEBE EXCEDER los 100 °F (38 °C)**.
- Limite la prueba a 24 horas. Después de la prueba, verifique visualmente el sistema para asegurar que esté listo para su operación.

AVISO: Estos parámetros se aplican únicamente a los equipos Zodiac. En el caso de equipos ajenos a Zodiac, consulte al fabricante del equipo.

⚠ ADVERTENCIA

Los derrames y las emanaciones químicas pueden debilitar los equipos de la piscina/del hidromasaje. La corrosión puede provocar la falla de los filtros y de otros equipos, lo que puede provocar lesiones graves o daños materiales. No almacene productos químicos para la piscina cerca de los equipos.

⚠ PRECAUCIÓN

¡No ponga en funcionamiento la bomba en seco! Si se hace funcionar la bomba en seco durante la cantidad de tiempo que sea, ocurrirán daños graves y podría anularse la garantía.

⚠ PRECAUCIÓN

Esta bomba es para su uso en piscinas permanentes y también se puede utilizar en jacuzzis e hidromasajes, si estuviera indicado. No use este producto con piscinas almacenables. Las piscinas permanentes están construidas dentro del suelo o sobre él, o en un edificio de tal manera que no se pueden desmontar para su almacenamiento. Las piscinas almacenables están construidas de manera que pueden ser fácilmente desmontadas para su almacenamiento y pueden volver a montarse para que tengan su estado original.

⚠ PRECAUCIÓN

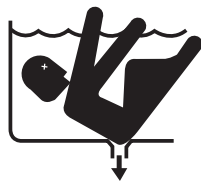
No haga la instalación dentro de un recinto exterior ni debajo del revestimiento un hidromasaje. La bomba requiere una ventilación adecuada para mantener una temperatura del aire menor a la temperatura ambiente máxima nominal detallada en la placa de calificaciones nominales del motor.

⚠ PRECAUCIÓN

Para evitar la falla prematura o los daños en el motor de la bomba, proteja la bomba de la exposición directa al agua de rociadores, escurrimiento de agua de techos y drenajes, etc. De lo contrario, la bomba podría fallar y se podría anular la garantía.

GUARDE ESTAS INSTRUCCIONES

1.2 Pautas para la prevención de atrapamiento por la succión de la bomba



⚠ ADVERTENCIA

PELIGRO DE SUCCIÓN. Puede provocar lesiones graves o la muerte. No use esta bomba para piscinas infantiles, piscinas de poca profundidad o hidromasajes que contengan drenajes en el fondo, a menos que la bomba esté conectada por lo menos a dos (2) salidas de succión en funcionamiento.

⚠ ADVERTENCIA

La succión de la bomba es peligrosa y puede atrapar y ahogar o descuartizar a los bañistas. No use ni opere piscinas, hidromasajes ni jacuzzis si falta una cubierta de las salidas de succión, está rota o está floja. Las pautas siguientes proporcionan información para la instalación de la bomba que minimiza el riesgo de lesiones para los usuarios de piscinas, hidromasajes y jacuzzis:

Protección contra el atrapamiento: El sistema de succión de la bomba debe proporcionar protección contra los peligros del atrapamiento por succión.

Cubiertas de la salida de succión: Todas las salidas de succión deben tener cubiertas correctamente instaladas y atornilladas en su lugar. Todas las cubiertas de salida (drenaje) de succión deben mantenerse correctamente. Deben reemplazarse si están agrietadas o rotas, o si faltan. Las cubiertas de drenaje deben estar incluidas/certificadas en la edición publicada más reciente de ANSI®/ASME® A112.19.8 o su norma sucesora, ANSI/APSP-16. La piscina debe cerrarse y debe restringirse el ingreso de los bañistas a la piscina hasta el reemplazo de cualquier cubierta de drenaje agrietada o rota o que falte.

Cantidad de salidas de succión por bomba: Proporcione al menos dos (2) salidas de succión balanceadas hidráulicamente, con cubiertas, como salidas de succión para cada línea de succión de la bomba de circulación. Los centros de las salidas de succión (salidas de succión) de cualquier una (1) línea de succión deben estar a al menos tres (3) pies de distancia de centro a centro. Consulte la Figura 1.

El sistema **debe** construirse para incluir al menos dos (2) salidas (drenajes) de succión conectadas a la bomba siempre que la bomba esté en funcionamiento. Sin embargo, si dos (2) salidas de succión van a una única línea de succión, la única línea de succión puede estar equipada con una válvula que apague ambas salidas de succión desde la bomba. El sistema se construirá de tal modo que no permita el cierre o el aislamiento separado independiente de cada drenaje. Consulte la Figura 1.

Es posible conectar bombas adicionales a una única línea de succión siempre que se cumplan los requisitos anteriores.

Velocidad del agua: La velocidad máxima del agua a través del conjunto de salida de succión y su cubierta para cualquier salida de succión no debe superar la tasa de flujo de diseño máxima del conjunto de la salida de succión y de su cubierta. El conjunto de salida (drenaje) de succión y su cubierta deben cumplir la versión más reciente de ANSI®/ASME® A112.19.8, la norma para acoples de succión para usarse en piscinas, piscinas infantiles, hidromasajes y jacuzzis o su norma sucesora, ANSI/ASME APSP-16.

Pruebas y certificación: Las cubiertas de salida de succión deben haber sido probadas por un laboratorio de pruebas con reconocimiento nacional y debe haberse determinado que cumplen la edición publicada más reciente de ANSI/ASME A112.19.8 o su norma sucesora, ANSI/APSP-16, la norma para *acoples de succión para usarse en piscinas, piscinas infantiles, hidromasajes y jacuzzis*.

Acoples: Los acoples restringen el flujo; para más eficiencia, use la menor cantidad de acoples posible (pero al menos dos [2] salidas de succión).

Evite los acoples que pueden provocar que quede aire atrapado.

Los acoples de succión del limpiador de la piscina deben cumplir las normas aplicables de la International Association of Plumbing and Mechanical Officials (IAPMO).

Sección 2. Descripción general

2.1 Introducción

Las bombas de velocidad variable Jandy® pueden funcionar entre 600 RPM y 3450 RPM. Esto le permite seleccionar la velocidad más adecuada para su aplicación. Las bombas son compatibles con todos los controladores Jandy y con los sistemas automáticos Zodiac®. La bomba es impulsada por un motor conmutado electrónicamente (ECM) de velocidad variable conectado directamente al rodete de la bomba. El motor hace girar el impulsor, que fuerza el flujo de agua a través de la bomba. A medida que la velocidad del motor varía, el flujo a través de la bomba también varía. La tasa de flujo ajustable permite optimizar el flujo durante los diversos requisitos del ciclo de la bomba. Como resultado, la eficiencia energética de la bomba se maximiza, lo que conlleva ahorros en los costos para el propietario de la piscina y ayuda a conservar el medio ambiente.

Este manual contiene información para la instalación, la operación y el mantenimiento correctos de bombas de velocidad variable Jandy específicas. Los procedimientos de este manual se deben seguir exactamente. Para obtener copias adicionales de este manual, visite el sitio web Jandy.com.

2.2 Dimensiones del producto

NOTA Al instalar una bomba, deje un mínimo de dos (2) pies (30 cm) de espacio libre por arriba de la bomba para quitar la canasta del filtro.

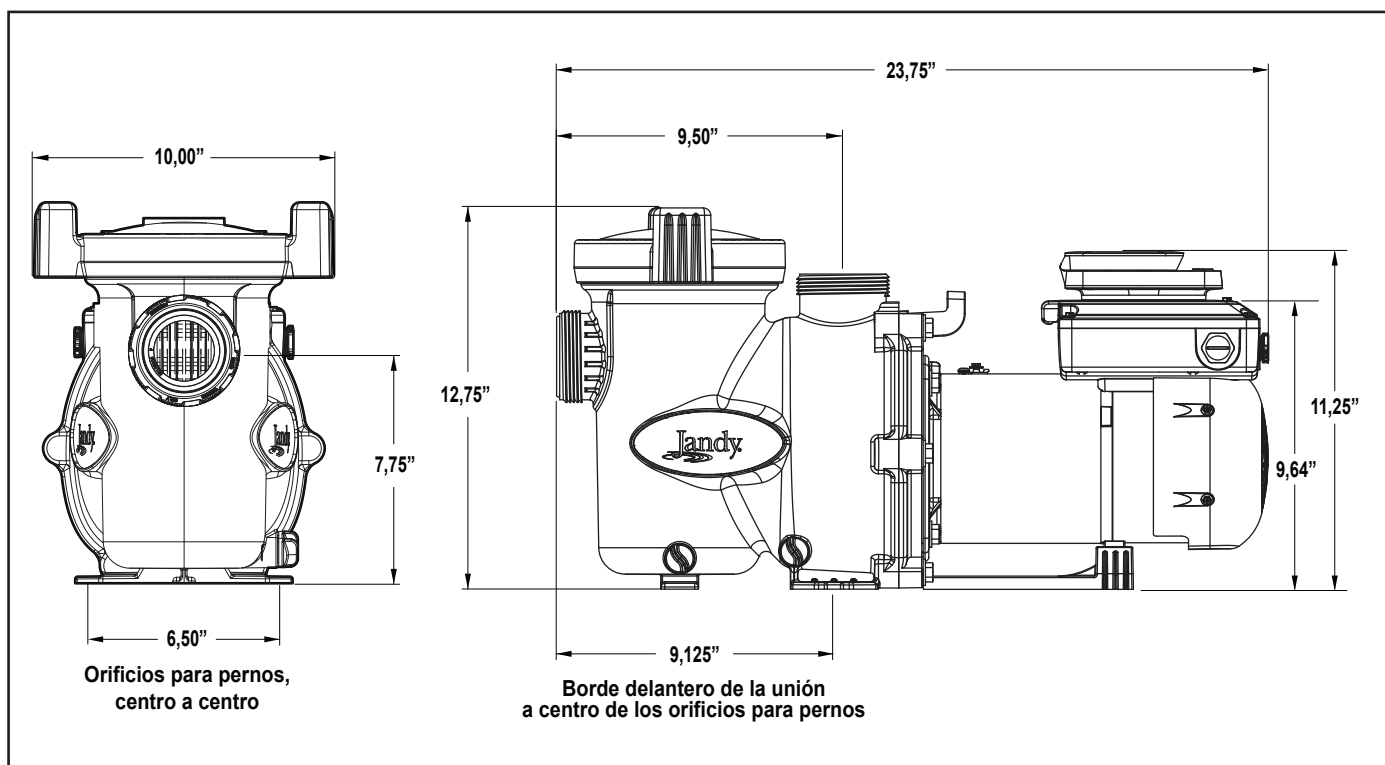


Figura 1. Dimensiones de la bomba de velocidad variable

2.3 Especificaciones del producto

2.3.1 Especificaciones

N.º de modelo	THP	WEF	Voltaje	Vatios máx.	Amp. máx.	Tamaño de la unión	Peso
VSFHP130DV(S)	1,30	11,0 10,9	230 VCA 115 VCA	1100	8,6 15,6	2"	39,3 lb [17,8 kg]
VSFHP165DV(S)	1,65	9,0 9,1	230 VCA 115 VCA	1700	10,5 17,7	2"	39,3 lb [17,8 kg]
VSFHP185DV(S)	2,25	8,2 8,6	230 VCA 115 VCA	1875	13,5 17,4	2"	40,4 lb [18,3 kg]

2.4 Contenido del producto

ELEMENTO	DESCRIPCIÓN
1	Bomba de velocidad variable
2	Manual de instalación y operación
3	Bolsa con cordón grande
4	Tuerca de la unión (2)
5	Pieza final (2)
6	Junta tórica (2)
7	Cable de 4 conductores
8	Base ajustable pequeña con distanciadores
9	Base ajustable grande (R0546400 opcional)
10	Controlador de la bomba de velocidad variable Speedset

N.º de modelo	1	2	3	4	5	6	7	8	9	10
VSFHP130DV	●	●	●	●	●	●	●	●	Opcional	N/D
VSFHP130DVS	●	●	●	●	●	●	●	●	Opcional	●
VSFHP165DV	●	●	●	●	●	●	●	●	Opcional	N/D
VSFHP165DVS	●	●	●	●	●	●	●	●	Opcional	●
VSFHP185DV	●	●	●	●	●	●	●	●	Opcional	N/D
VSFHP185DVS	●	●	●	●	●	●	●	●	Opcional	●

Figura 2. Contenido de la caja de la bomba de velocidad variable

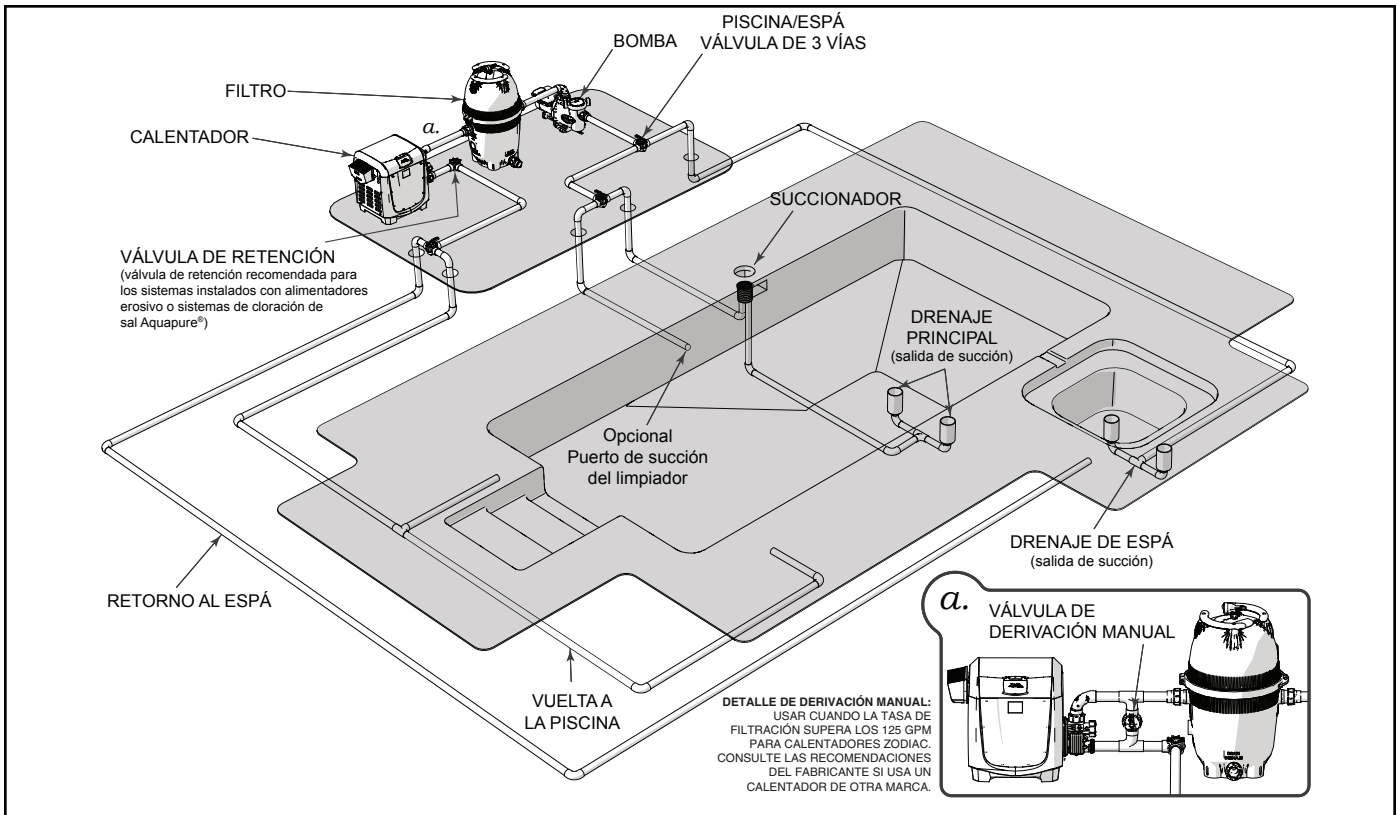


Figura 3. Instalación típica de las tuberías

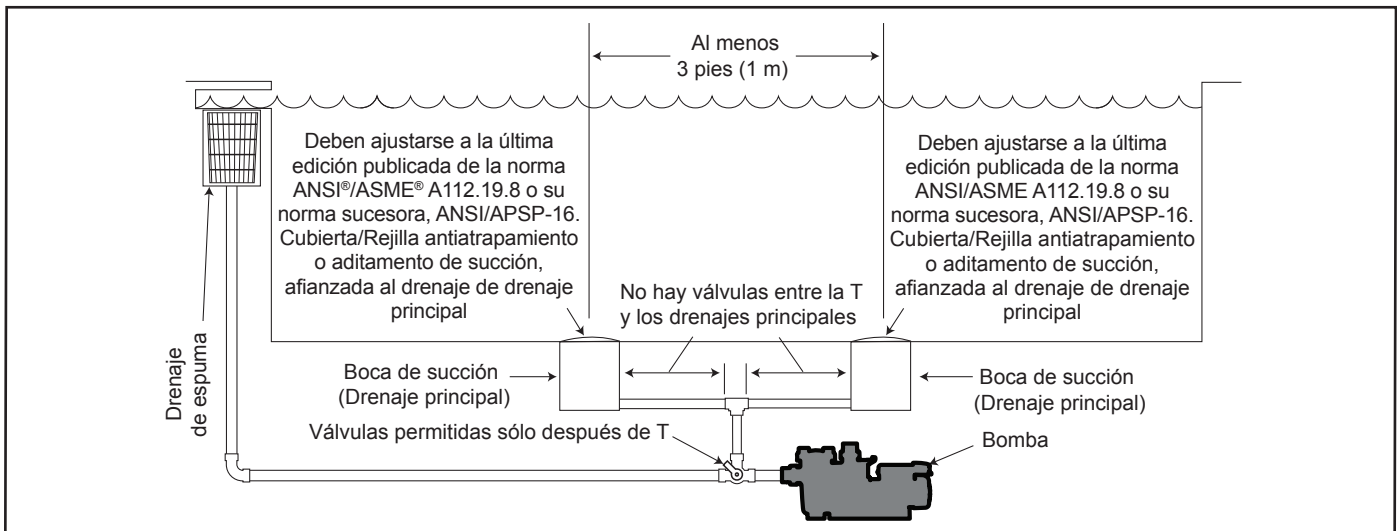


Figura 4. Cantidad de salidas de succión por bomba

Sección 3. Información sobre la instalación

3.1 Tuberías

3.1.1 Información sobre la preparación

1. Verifique que no haya daños en la caja de la bomba. Si encuentra algún daño, comuníquese con el transportista o con el distribuidor al que le compró la bomba.
2. Inspeccione el contenido de la caja y verifique que se hayan incluido todas las piezas.

3.1.2 Ubicación de la bomba

Zodiac Pool Systems LLC recomienda instalar la bomba a menos de un pie (30 cm) por arriba del nivel del agua. La bomba no debe estar elevada más de cinco pies (152 cm). Si la bomba está ubicada por debajo del nivel del agua, deben instalarse válvulas de aislamiento en las tuberías de aspiración y de retorno para evitar el reflujo del agua de la piscina durante los servicios de rutina o requeridos.

⚠ ADVERTENCIA

Una válvula de retención puede interferir con el funcionamiento correcto de determinados productos de sistema de desfogue de vacío de succión (*suction vacuum release system*, SVRS). Para evitar posibles peligros de atrapamiento, lesiones graves o la muerte, asegúrese de repasar el manual de operación/del propietario de su producto específico del SVRS antes de instalar la válvula de retención.

⚠ ADVERTENCIA

Para disminuir el riesgo de incendio, instale los equipos para piscinas en una zona donde no se acumulen residuos sobre los equipos o alrededor de ellos. Mantenga la zona circundante sin residuos como papel, hojas, agujas de pino y otros materiales combustibles.

⚠ PRECAUCIÓN

Para evitar la falla prematura o los daños en el motor de la bomba, proteja la bomba de la exposición directa al agua de rociadores, escurrimiento de agua de techos y drenajes, etc. De lo contrario, la bomba podría fallar y se podría anular la garantía.

NOTA: Si el equipo para piscinas está ubicado debajo de la superficie de la piscina, una fuga puede provocar una gran pérdida de agua o una inundación. Zodiac Pool Systems LLC no se hace responsable por tales pérdidas de agua ni por inundaciones ni por los daños resultantes.

1. Instale la bomba de modo tal que cualquier medio de desconexión o caja de empalmes para la conexión de energía esté a la vista desde la bomba y a al menos cinco pies horizontalmente desde el borde de la piscina o del hidromasaje. Elija una ubicación que minimice los dobleces en la tubería.

NOTA En Canadá, la distancia mínima mantenida desde el borde de la piscina o el hidromasaje según se indica arriba debe ser de 3 metros (10 pies), según lo requiere el Código Eléctrico Canadiense (CEC, CSA C22.1).

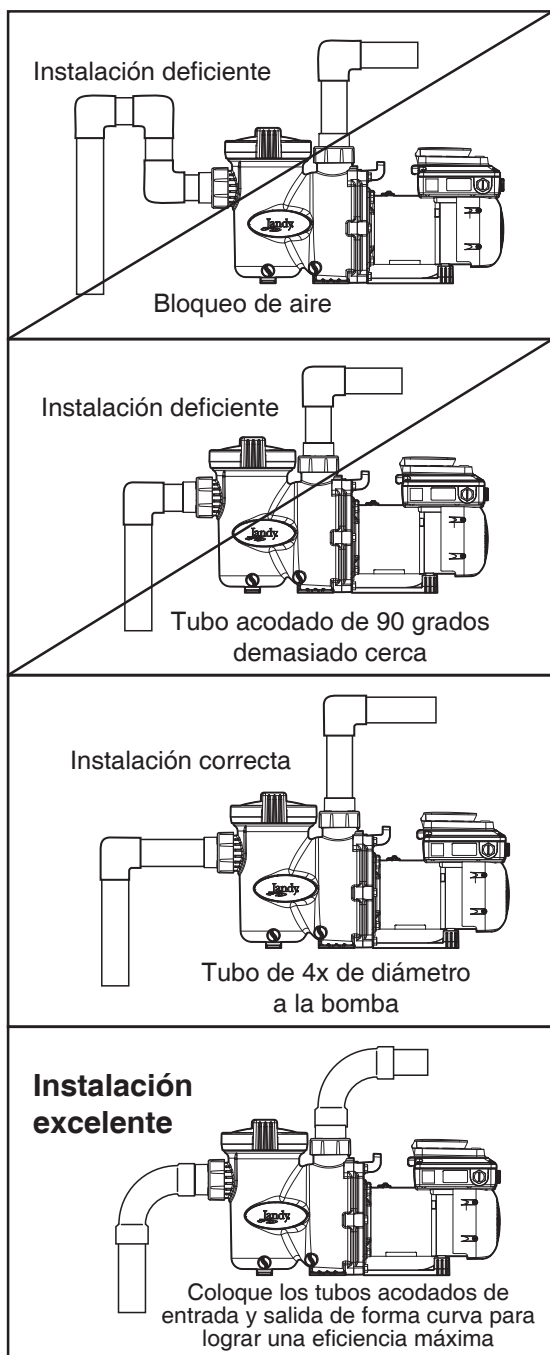
2. Coloque la bomba sobre un cimiento sólido que no vibrará. Para reducir aún más la posibilidad de ruido por vibraciones, atornille la bomba al cimiento.
3. Asegúrese de que el cimiento tenga un drenaje adecuado para evitar que el motor de la bomba se humedezca. La bomba debe protegerse de la lluvia y del sol.
4. Asegúrese de que la bomba tenga la ventilación adecuada para prevenir el sobrecalentamiento del motor.
5. Proporcione espacio suficiente para los mantenimientos. Para ello, deje una zona despejada alrededor de la bomba.
6. Proporcione iluminación adecuada si el equipo está en un área potencialmente oscura.

Tamaño de tubo	Succión de flujo máxima (6 pies por segundo)	Descarga de flujo máxima (8 pies por segundo)
1½" (38 mm)	37 GPM (140 LPM)	50 GPM (189 LPM)
2" (51 mm)	62 GPM (235 LPM)	85 GPM (322 LPM)
2½" (64 mm)	88 GPM (333 LPM)	120 GPM (454 LPM)
3" (76 mm)	136 GPM (515 LPM)	184 GPM (697 LPM)
4" (102 mm)	234 GPM (886 LPM)	313 GPM (1185 LPM)

Tabla 1. Tabla de tamaños de tubos para PVC cédula 40

3.1.3 Recomendaciones de instalación

1. Como ayuda para evitar las dificultades al cebar, instale el tubo de succión sin puntos altos (sobre la entrada de la bomba: "U" invertidas, denominadas en general en el campo de la plomería como "cámaras de aire") que puedan atrapar aire. Para la instalación de equipos hasta 100 pies (30 m) del agua, consulte la Tabla 1 de tamaños de los tubos. Para la instalación de equipos a más de 100 pies (30 m) del agua, el tamaño de tubo recomendado debe aumentarse al tamaño siguiente.



2. Las uniones tanto del puerto de succión como del puerto de descarga simplifican la instalación y la reparación, a la vez que eliminan la posibilidad de pérdidas en los adaptadores roscados.
3. La bomba debe conectarse al menos a dos drenajes principales con balanceo hidráulico para cada tubería de aspiración de la bomba de la piscina. Cada conjunto de drenaje (salida de succión) debe proporcionarse con cubiertas y debe estar incluido o certificado según la edición publicada más reciente de ANSI®/ASME® A112.19.8, o su norma sucesora, ANSI/APSP-16. Los empalmes de succión de los drenajes principales deben estar al menos a tres pies (1 m) de distancia o en planos diferentes. Los empalmes de succión pueden ser un drenaje y un succionador, dos drenajes, dos succionadores o un succionador con un filtro corrector

instalado. Verifique las normativas locales para una instalación correcta.

NOTA Para prevenir el atrapamiento, el sistema debe construirse para que no pueda operar con la bomba obteniendo agua de solo un drenaje principal. Debe haber al menos dos drenajes principales conectados a la bomba cuando esté en funcionamiento. Sin embargo, si dos drenajes principales van a una única tubería de aspiración, dicha tubería de aspiración puede estar equipada con una válvula que cierre ambos drenajes principales desde la bomba.

4. La tubería debe tener el soporte adecuado y no debe forzarse donde experimente un estrés constante.
5. Use siempre válvulas del tamaño correcto. Las válvulas de cambio y las válvulas esféricas Jandy típicamente tienen las mejores capacidades de flujo.
6. Utilice la menor cantidad de empalmes posible y reduzca el uso de tubos acodados de 90 grados. Cada empalme o distancia de tubo adicional aumenta la resistencia al flujo, lo que hace que la bomba trabaje con más esfuerzo.

NOTA Si se requieren más de diez empalmes de succión, el tamaño del tubo debe aumentar.

7. Cada nueva instalación debe someterse a pruebas de presión en conformidad con las normativas locales.

3.1.4 Bases ajustables (modelos VS FloPro™ únicamente)

Para reemplazar una bomba que ya está por una de dimensiones diferentes, utilice las bases ajustables para alinear de manera correcta los puertos de succión y de descarga con las tuberías que están. La base de VS FloPro y los espaciadores aumentan la altura total de la bomba y la altura del puerto lateral de succión de la bomba. Consulte la Figura 5 y la Tabla 3.

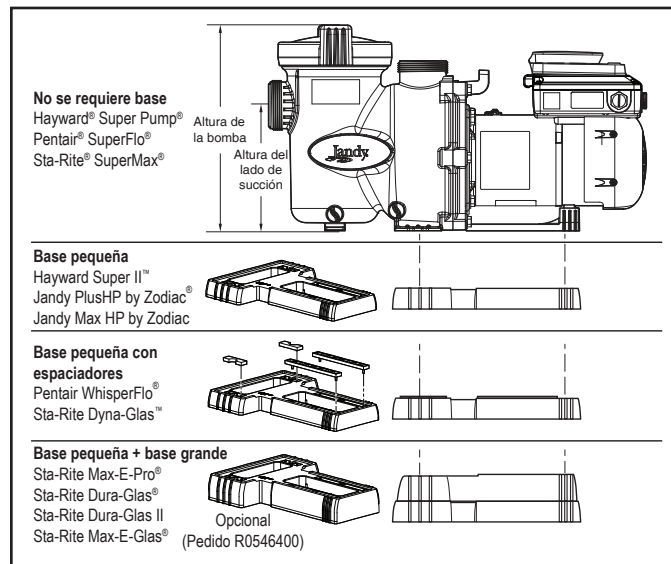


Figura 5. Configuraciones de la base (modelos VS FloPro™ únicamente)

Distancia del subpanel		0-50 pies (15 metros)		50-100 pies (15-30 metros)		100-200 pies (30-60 metros)		
Modelo de bomba	Disyuntor de retardo o fusible de la derivación (amperios) Clase: CC, G, H, J, K, RK o T		Voltaje		Voltaje		Voltaje	
	230 VCA	115 VCA	230 VCA	115 VCA	230 VCA	115 VCA	230 VCA	115 VCA
VSFHP130DV VSFHP130DVS	15 A	20 A	14 AWG (2,1 mm ²)	12 AWG (3,3 mm ²)	12 AWG (3,3 mm ²)	10 AWG (5,3 mm ²)	10 AWG (5,3 mm ²)	6 AWG (5,3 mm ²)
VSFHP165DV VSFHP165DVS	20 A	30 A	12 AWG	10 AWG	12 AWG	8 AWG	10 AWG	6 AWG
VSFHP185DV VSFHP185DVS	20 A	30 A	12 AWG	10 AWG	12 AWG	8 AWG	10 AWG	6 AWG

*Se supone la existencia de tres (3) conductores de cobre en un tubo aislador enterrado y una pérdida de voltaje máxima del 3 % en el circuito de la derivación. Deben cumplirse todas las normativas locales y de National Electrical Code® (NEC®). La tabla muestra el tamaño de cable mínimo y las recomendaciones sobre el fusible de derivación para una instalación corriente conforme a NEC.

Tabla 2. Tamaño de cable mínimo y protección de sobrecorriente mínima*

Configuración de la base	Altura del lado de succión	Bomba Altura
1. Bomba sin base	7 3/4"	12 3/4"
2. Bomba con base	8 7/8"	13 7/8"
3. Bomba con base y distanciadores	9 1/8"	14 1/8"
4. Bomba con base pequeña y grande	10 3/4"	15 3/4"

Tabla 3. Dimensiones de la base ajustable (modelos VS FloPro™ únicamente)

- Con una herramienta manual para cortar, corte las barras plásticas que conectan los conjuntos superior e inferior de los distanciadores como se muestra en la Figura 6.
- Empuje los dos distanciadores superiores y los dos distanciadores inferiores fuera de la base.
- Alinee los pines de los cuatro distanciadores con los orificios de la base. Presione los distanciadores en su lugar. Consulte la Figura 7.

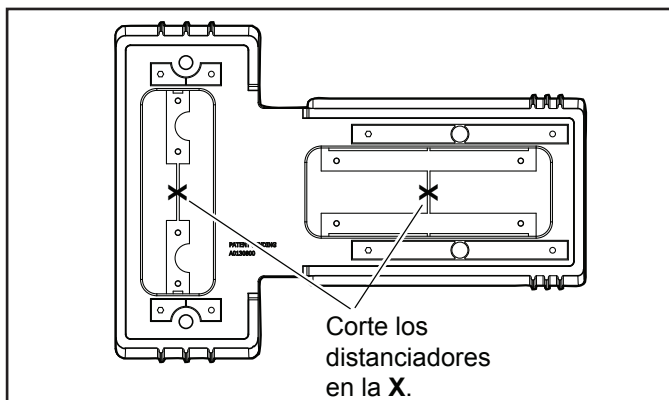


Figura 6. Corte los conjuntos de distanciadores de la base

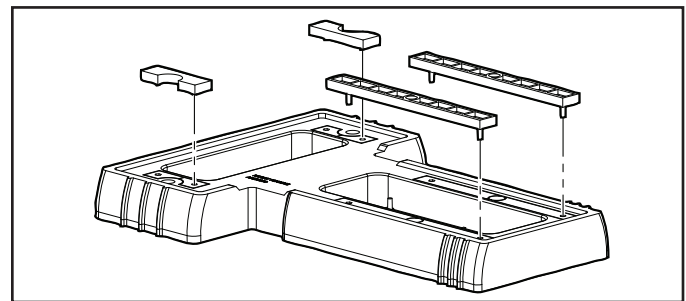


Figura 7. Presione los distanciadores hasta que queden en su lugar

3.2 Instalación eléctrica

3.2.1 Verificaciones de voltaje

El voltaje correcto, según se especifica en la placa con instrucciones técnicas de la bomba, es necesario para un desempeño adecuado y para que el motor tenga una vida útil prolongada. Un voltaje incorrecto reducirá la capacidad de la bomba de desempeñarse adecuadamente y podría provocar sobrecalentamiento, acortar la vida útil del motor y conllevar facturas de luz más elevadas.

El instalador eléctrico tiene la responsabilidad de proporcionar voltaje operativo a la bomba según la placa con instrucciones técnicas al asegurar el uso de los tamaños correctos de circuitos y cables para esta aplicación específica.

National Electrical Code® (NEC®, NFPA-70®) requiere que todos los circuitos de una piscina estén protegidos con un interruptor por falla a tierra (GFCI). Por lo tanto, también es responsabilidad del instalador eléctrico asegurar que el circuito de la bomba cumpla este requisito y todos los demás requisitos aplicables de National Electrical Code (NEC) y de cualquier otra normativa de instalación aplicable.

⚠ PRECAUCIÓN

Si no se proporciona el voltaje de la placa de datos (+/- 10 %) durante la operación, el motor se sobrecalentará y se podría anular la garantía.

3.2.2 Conexión equipotencial y conexión a tierra

Además de la conexión a tierra adecuada, según se describe en la sección *Cableado eléctrico*, y en conformidad con los requisitos de National Electrical Code (NEC) o, en Canadá, del Código Eléctrico Canadiense (CEC), debe haber una conexión equipotencial entre el motor de la bomba y todas las piezas metálicas de la estructura de la piscina, del hidromasaje o del jacuzzi y todos los componentes y equipos eléctricos relacionados con el sistema de circulación de agua de la piscina/del hidromasaje. La conexión equipotencial debe llevarse a cabo con un conductor de cobre macizo n.º 8 AWG o uno más grande. En Canadá, debe usarse n.º 6 AWG o uno más grande. Haga la conexión equipotencial del motor con la terminal de conexión equipotencial externa proporcionada en el bastidor del motor. Consulte la Figura 8.

National Electrical Code® (NEC®) requiere la conexión equipotencial del agua de la piscina. Cuando ninguno de los equipos, las estructuras o las piezas de la piscina con conexión equipotencial están en conexión directa con el agua de la piscina, el agua de la piscina debe estar en contacto directo con una superficie conductora aprobada resistente a la corrosión que exponga no menos de 5800 mm² (9 in²) del área superficial al agua de la piscina en todo momento. La superficie conductora debe estar ubicada donde no esté expuesta a daños físicos ni a su desalojamiento durante las actividades habituales en la piscina, y debe estar conectada equipotencialmente según los requisitos de conexión equipotencial de NEC Artículo 680. Consulte los códigos aplicados localmente para cualquier requisito adicional de conexión equipotencial.

⚠ ADVERTENCIA

Desconecte siempre la fuente de energía antes de trabajar en un motor o su carga conectada.

⚠ ADVERTENCIA

Asegúrese de que el interruptor de control, el reloj o el sistema de control estén instalados en una ubicación accesible. Así, en caso de una falla del equipo o de un acople suelto, el equipo podrá apagarse. Esta ubicación no debe estar en la misma zona de la bomba de la piscina, del filtro ni de otros equipos.

⚠ PRECAUCIÓN

La bomba debe estar conectada permanentemente a un circuito eléctrico dedicado. No se puede conectar otro equipo, otras luces, otros dispositivos u otros enchufes al circuito de la bomba.

3.2.3 Cableado eléctrico

Los modelos de bomba Jandy que se abarcan en este manual de instalación y operación proporcionan compartimientos separados para los cableados de alto voltaje y de bajo voltaje.

Las secciones de bajo voltaje ofrecen dos (2) puertos de conducto de 1/2" NPT (roscados). Se incluye un mango con cuerda impermeable (consulte la Figura 8).

La sección de bajo voltaje ofrece dos (2) puertos de conducto de 1/2" NPT (roscados). No se proporcionan los acoplamientos para conducto (consulte la Figura 9).

1. Fije la bomba con el tornillo verde que se proporciona. Conecte a tierra antes de intentar conectar a un suministro de energía eléctrica. No conecte a tierra a una línea de suministro de gas.
2. El tamaño del cable debe ser adecuado para minimizar la caída de voltaje durante la puesta en funcionamiento y la operación de la bomba.
3. Aísle todas las conexiones con cuidado para evitar la conexión a tierra o los cortocircuitos. Los bordes filosos en los terminales requieren una protección adicional. Por seguridad, y para evitar el ingreso de contaminantes, reinstale todas las cubiertas de la caja de distribución y de la caja de terminales. No fuerce las conexiones a la caja de distribución.

NOTA Si se suministra únicamente energía a esta bomba, no funcionará. Requiere un comando digital enviado por un controlador de velocidad variable (SpeedSet, JEP-R o iQPUMP01) o un sistema de automatización (consulte las Figuras 8-9 para las ilustraciones de cableado de RS-485 para un controlador local o sistema de automatización.).

3.2.4 Configuración del controlador de la bomba/ del sistema de automatización

Las bombas de este manual son compatibles con los controladores Jandy locales y los sistemas de automatización siguientes:

- Controlador SpeedSet (local)
- iQPUMP01 (local)
- JEP-R (local)
- Todos los sistemas de automatización Jandy

Cada motor está equipado con un circuito de energía de detección automática que determina automáticamente si deben suministrarse 10 v de energía al cableado RS-485 para energizar una interfaz de controlador local o si debe suprimirse el suministro de 10 v cuando está conectado con un sistema de automatización Jandy.

Este circuito de energía de detección automática elimina la necesidad de los interruptores DIP 1-2 presentes en otras bombas Jandy.

Asegúrese de que la energía a la bomba esté desconectada y retire la tapa de acceso del motor. Conecte el cable RS-485 a través del mango de cuerda impermeable suministrado, como se muestra en la Figura 8. Conecte el cable al conector RS-485 en el siguiente orden: rojo (1), negro (2), amarillo (3), verde (4). Vuelva a fijar la tapa de acceso en el motor y restituya el suministro de energía.

Consulte la interfaz de usuario o el manual del sistema de automatización para obtener instrucciones detalladas sobre la

instalación y la programación.

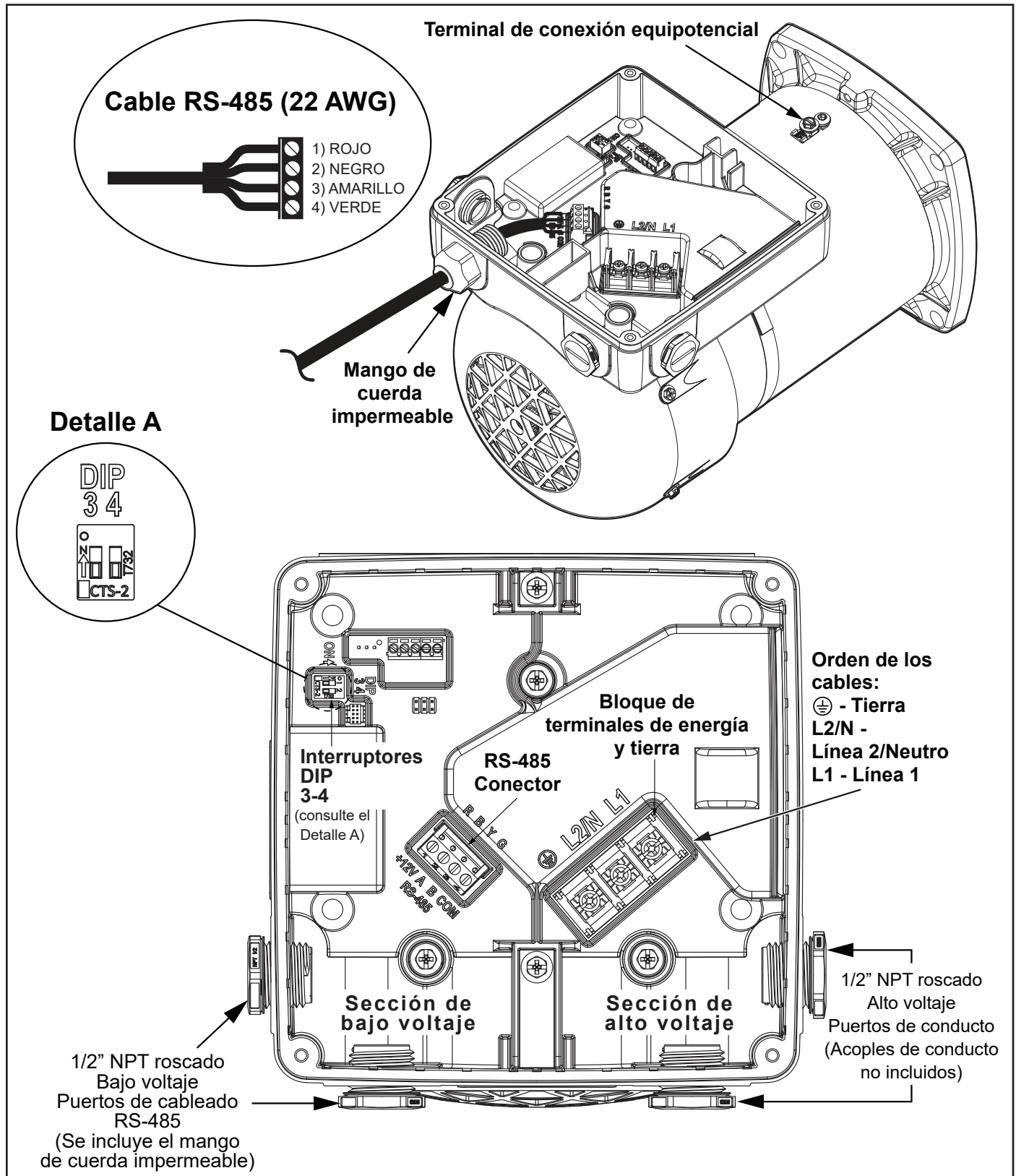


Figura 8. Diagrama de cableado (energía principal de 115 v/230 v y conexión RS-485)

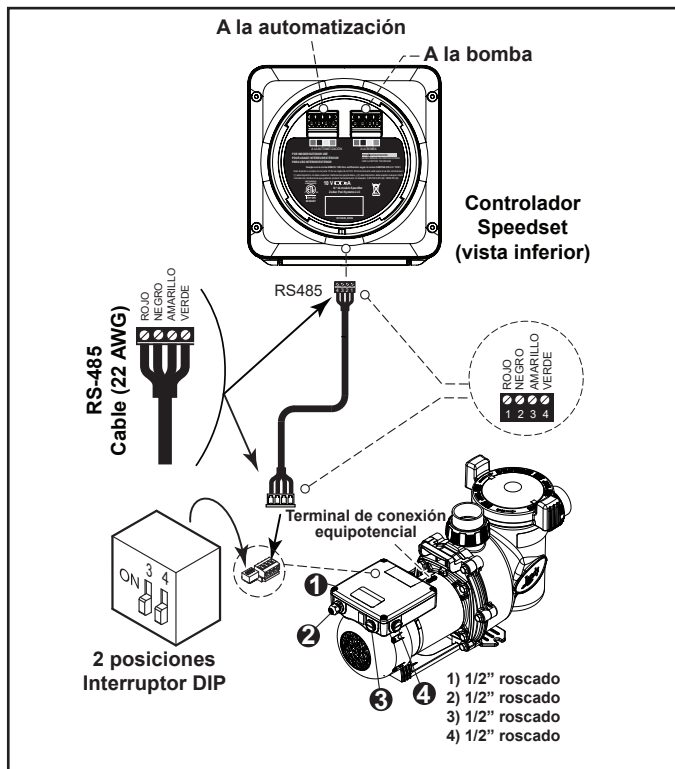


Figura 9. Cableado hasta un controlador

3.3 Configuración del interruptor DIP de la bomba

3.3.1 Configuración del interruptor DIP con controlador local

Consulte la tabla siguiente para la configuración requerida para los interruptores DIP 3 y 4 cuando la bomba está conectada a un controlador local.

Controlador	Interruptor	Dirección de la bomba
JEP-R	APAGADO	APAGADO
IQPUMP01	APAGADO	APAGADO
SpeedSet	La configuración de los interruptores DIP 3 y 4 debe ser Apagado a no ser que estén conectados a un sistema de automatización Jandy que usa una conexión con cableado atravesado de automatización SpeedSet en la parte inferior del controlador. Si corresponde, consulte las secciones siguientes.	

Tabla 4. Configuración de los interruptores DIP del controlador local

3.3.2 Configuración de los interruptores DIP con automatización

Las reglas de configuración de los interruptores DIP 3 y 4 no son comunes entre todos los sistemas de automatización Jandy. Lea las secciones siguientes para comprender la configuración requerida.

Para los usuarios del sistema de automatización Jandy AquaLink RS, una actualización a mitad de año en 2022 altera

el método en el que las bombas de este manual interactúan con los sistemas Jandy AquaLink RS. Consulte el manual de RS para obtener más información.

3.3.3 Firmware previo a 2022 de AquaLink® RS Rev V y anteriores

Los sistemas AquaLink RS que usan el firmware Rev V y anteriores, fabricados durante la primera mitad del año 2022, admiten hasta cuatro (4) bombas de velocidad variable. A cada bomba se le asigna una dirección de 1 a 4 con los interruptores DIP 3 y 4 de la bomba. Use la Tabla 4 para obtener la configuración de asignación de direcciones de las bombas.

Esta configuración se utiliza cuando se conecta a la conexión RS-485 de la bomba o cuando se conecta a la bomba con una conexión de cableado atravesado de automatización del controlador SpeedSet™ en la parte inferior del controlador.

Dirección	Interruptor 3	Interruptor 4
BOMBA 1 (configuración de fábrica)	Apagado	Apagado
BOMBA 2	Encendido	Apagado
BOMBA 3	Apagado	Encendido
BOMBA 4	Encendido	Encendido

Tabla 5. Configuración del interruptor DIP

3.3.4 Firmware de 2022 de AquaLink RS Rev W y posteriores

Los sistemas AquaLink RS que utilizan la Rev W y posteriores, fabricados durante la segunda mitad del año 2022, admiten hasta dieciséis (16) bombas de velocidad variable que utilizan una DIRECCIÓN DE SERIE preasignada. Los interruptores DIP 3 y 4 no se utilizan. A las bombas de este manual se les asigna una DIRECCIÓN DE SERIE única en fábrica. La etiqueta de DIRECCIÓN DE SERIE puede encontrarse en el motor de la bomba (consulte la Figura 10).

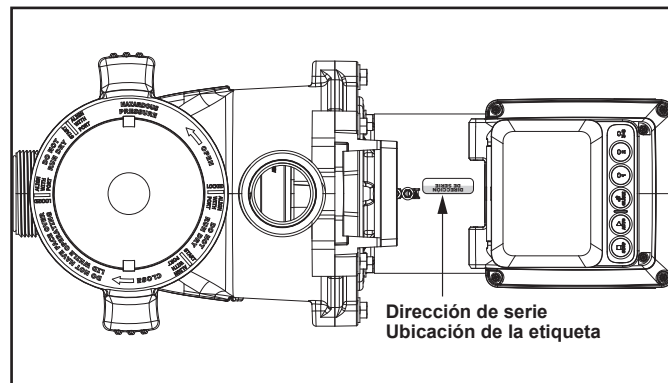


Figura 10. Ubicación de la etiqueta de la dirección de serie

Cuando se configuran bombas con este método, la DIRECCIÓN DE SERIE para cada bomba aparecerá inicialmente en la sección de bomba sin asignar de la aplicación de iAquaLink u otros dispositivos para la configuración de la automatización. Utilice la aplicación u otro dispositivo para completar la configuración de la bomba.

3.3.5 AquaLink TCX

AquaLink TCX admite una única bomba de velocidad variable. Los interruptores DIP 3 y 4 deben estar siempre en posición OFF (Apagado) cuando la bomba está conectada con un sistema de automatización TCX. Esto es así incluso cuando está conectada a un sistema TCX que utiliza el cableado atravesado de automatización en un controlador Jandy SpeedSet.

3.3.6 Otros sistemas de automatización Jandy

Otros sistemas de automatización Jandy admiten hasta cuatro (4) bombas de velocidad variable con interruptores DIP 3 y 4 de la manera que se define en la sección 3.3.3.

3.4 Llevar a cabo la prueba de presión

⚠ ADVERTENCIA

Cuando se llevan a cabo pruebas de presión en un sistema con agua, con frecuencia queda aire atrapado en el sistema durante el proceso de llenado. Este aire se comprimirá cuando se presurice el sistema. Si el sistema falla, este aire atrapado puede propulsar residuos a alta velocidad y provocar lesiones. Deben hacerse todos los esfuerzos posibles para quitar el aire atrapado, lo cual incluye abrir la válvula del filtro y aflojar la tapa de la canasta de la bomba al llenar la bomba.

⚠ ADVERTENCIA

El aire atrapado en el sistema puede provocar que la tapa del filtro salga expulsada, lo que puede provocar la muerte, lesiones graves o daños materiales. Asegúrese de que se haya purgado todo el aire del sistema antes de operar. **NO USE AIRE COMPRIMIDO PARA LLEVAR A CABO PRUEBAS DE PRESIÓN O VERIFICAR QUE NO HAYA FUGAS.**

⚠ ADVERTENCIA

PELIGRO DE DESCARGA ELÉCTRICA

No realice pruebas de presión por arriba de los 35 PSI. Un profesional de piscinas capacitado debe llevar a cabo las pruebas de presión. El equipo de circulación que no se pruebe correctamente puede fallar, lo que puede provocar lesiones graves o daños materiales.

⚠ ADVERTENCIA

Al llevar a cabo pruebas de presión en el sistema con agua, es muy importante garantizar que la tapa de la canasta de la bomba esté completamente asegurada.

1. Antes de presurizar el sistema, asegúrese de que los indicadores de "bloqueado" del anillo de bloqueo estén alineados con los puertos de los lados de succión y de presión de la bomba.
2. Llene el sistema de agua para eliminar el aire atrapado.
3. Presurice el sistema con agua a no más de **35 PSI**.
4. Cierre la válvula para sellar el agua en el sistema.
5. Observe que no haya fugas ni reducción de la presión en el sistema.
6. Si hay fugas en la tapa, repita el procedimiento. Para el soporte técnico de Zodiac, llame al 800.822.7933.

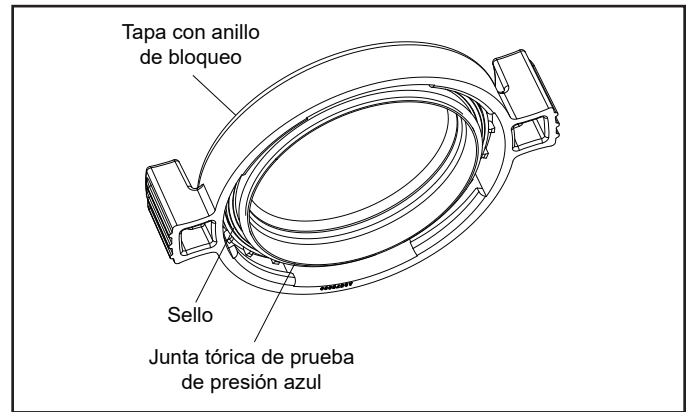


Figura 11. Junta tórica de prueba de presión azul

⚠ ADVERTENCIA

PELIGRO DE DESCARGA ELÉCTRICA

Debido al posible riesgo de incendios, descargas eléctricas o lesiones, las bombas Jandy® deben instalarse en conformidad con National Electrical Code® (NEC®), todos los códigos eléctricos y de seguridad locales y la Ley de Seguridad y Salud Ocupacionales (Occupational Safety and Health Act, OSHA). Puede solicitar ejemplares de NEC a National Protection Association, 1 Batterymarch Park, Quincy, MA 02169, o a su organismo gubernamental de inspección local.

En Canadá, las bombas Jandy deben instalarse en conformidad con el Código Eléctrico Canadiense (CEC).

⚠ ADVERTENCIA

PELIGRO DE DESCARGA ELÉCTRICA

Apague la bomba y el disyuntor principal del circuito eléctrico de la bomba antes de comenzar el procedimiento. Si no se cumple esta indicación, podría haber peligro de descarga eléctrica, lo cual puede provocar lesiones personales o la muerte.

Sección 4. Operación

4.1 Puesta en funcionamiento

PRECAUCIÓN

Nunca haga funcionar la bomba sin agua. Si se hace funcionar la bomba "en seco" durante la cantidad de tiempo que sea, pueden ocurrir daños graves en la bomba y en el motor y se podría anular la garantía.

Si se trata de una instalación de piscina nueva, asegúrese de que ninguna de las tuberías tenga residuos de construcción y de que todas las tuberías hayan sido sometidas correctamente a pruebas de presión. Debe verificarse que la instalación del filtro sea correcta y que todas las conexiones y abrazaderas estén fijadas según las recomendaciones del fabricante.

ADVERTENCIA

Para evitar el riesgo de daños materiales, lesiones personales o la muerte, verifique que toda la energía esté apagada antes de comenzar con estos pasos.

4.1.1 Bomba por debajo del nivel del agua

1. Asegúrese de que la tapa de la bomba esté fija. Para eso, verifique que los indicadores de "locked" (Bloqueado) estén alineados con los puertos de la bomba. **Apriete solo con la mano**, no use herramientas. Asegúrese de que las válvulas estén abiertas y que las uniones de la bomba estén ajustadas.
2. Abra cualquier válvula de aislamiento que pudiera haber entre la bomba y los drenajes y filtros superficiales principales de la piscina.
3. Abra la válvula de alivio de aire del filtro. Esto permitirá que el aire comience a escaparse del sistema y llenará la bomba con agua para el cebado.
4. Restaure la energía a la bomba e inicie la bomba.
5. Cuando comience a salir agua de la válvula de alivio de aire del filtro, cierre la válvula de alivio de aire.
6. Inspeccione el sistema en busca de fugas.

4.1.2 Bomba por arriba del nivel del agua

1. Abra la válvula de alivio de aire del filtro.
2. Extraiga la tapa de la bomba y llene la canasta de agua.
3. Antes de volver a colocar la tapa, verifique que no haya residuos alrededor del asiento de la junta tórica de la tapa. Los residuos alrededor del asiento de la junta tórica en la tapa pueden provocar una fuga de aire. Esto dificultará que la bomba se cebe.
4. Ajuste la tapa. Para eso, verifique que los indicadores de "locked" (Bloqueado) de la tapa estén alineados con los puertos de la bomba. **Apriete solo con la mano**, no use herramientas. Asegúrese de que todas las válvulas estén abiertas y de que las uniones de la bomba estén ajustadas.
5. Restaure la energía a la bomba e inicie la bomba.

6. Después de que la bomba se haya cebado y de que salga agua de la válvula de alivio de aire del filtro, cierre la válvula de alivio de aire e inspeccione el sistema en busca de fugas.

NOTA Todas las bombas de este manual tienen el certificado NSF porque pueden purgarse a alturas de hasta 10 pies por arriba del nivel de agua de la piscina, a nivel del mar. Sin embargo, para lograr un mejor autocebado, instale la bomba lo más cerca posible del nivel de agua de la piscina.

Consulte Recomendaciones de instalación en la Sección 3.1.3 para obtener la elevación y el tamaño de tubo correctos.

La velocidad de cebado predeterminada es de 2750 RPM. La bomba tardará aproximadamente 15 minutos en cebarse a esta velocidad de cebado si la bomba está ubicada a 10 pies por arriba del agua de la piscina. Si la velocidad de cebado se ajusta a 3450 RPM, la bomba debe cebarse antes de los 8 minutos a 10 pies por arriba del nivel del agua.*

Si la bomba no se ceba y se siguieron todas las instrucciones hasta este punto, verifique que no haya fugas de succión. Si no hay fugas, repita los pasos 1 a 5.

Para obtener ayuda técnica, llame al soporte técnico de Zodiac al 800.822.7933.

NOTA Si las tuberías del sistema son más grandes que 2", es posible que la bomba tarde aproximadamente 20 minutos para cebarse a 3450 RPM.

Sección 5. Servicio y mantenimiento

⚠ PRECAUCIÓN

Para evitar daños en los plásticos, no use lubricante ni sellador en la junta tórica. Solo debe usarse agua jabonosa para instalar y lubricar la junta tórica.

Limpiar la canasta de la bomba

Los residuos acumulados en la canasta de filtro de la bomba comenzarán a bloquear el flujo de agua. Para un desempeño óptimo de la bomba, debe inspeccionarse y limpiarse la canasta de filtro de la bomba semanalmente. Según la ubicación y el entorno de la piscina, es posible que se requieran inspecciones más frecuentes.

1. Inspeccione la canasta de la bomba para determinar que no haya residuos. Para ello, mire a través de la tapa transparente de la bomba. Esto puede llevarse a cabo con la bomba en funcionamiento o fuera de funcionamiento. Si se acumularon residuos, diríjase al paso 2.
2. Corte la energía de la bomba. Si la bomba está ubicada por debajo del nivel del agua, cierre las válvulas de aislamiento de los lados de succión y de descarga de la bomba para evitar el reflujos de agua.
3. Gire el anillo de bloqueo en sentido antihorario hasta que “START” (Inicio) se alinee con los puertos. Extraiga la tapa.
4. Levante la canasta y sáquela de la bomba.
5. Elimine los residuos y limpie bien la canasta. Asegúrese de que todos los orificios estén abiertos. Con una manguera de jardín, aplique agua a la canasta desde afuera para ayudar a desobstruir los orificios. Extraiga cualquier otro residuo que permanezca.
6. Vuelva a colocar la canasta en la bomba. Para ello, alinee la apertura con el tubo de succión. Si se alinea correctamente, la canasta caerá fácilmente en su lugar. No la fuerce para que quede ajustada en su lugar.

⚠ PRECAUCIÓN

Si la canasta está mal alineada, la tapa se asentará incorrectamente, lo que producirá una fuga de aire, y esto puede provocar daños en la bomba.

7. Quite el sellado de la tapa y elimine los residuos que están alrededor de la superficie de apoyo del sello de la tapa, ya que esto puede permitir fugas de aire al sistema. Limpie el sello de la tapa y colóquelo en la tapa.
8. Vuelva a colocar la tapa con el anillo de bloqueo. Apriete la tapa a mano para que haya un sello hermético. No use ninguna herramienta para apretar la tapa: **Solo apriétela a mano.**
9. Verifique que todas las válvulas hayan regresado a la posición correcta para el funcionamiento normal.
10. Abra la válvula de seguridad del filtro y asegure que esté limpia y lista para la operación.
11. Encienda la energía a la bomba. Después de que todo el aire se haya evacuado del filtro, cierre la válvula de seguridad.

5.1 Quitar la tapa de la bomba

1. Asegúrese de que la bomba esté apagada.
2. Asegúrese de que el interruptor del disyuntor al motor esté apagado.
3. Asegúrese de que todas las válvulas de aislamiento estén cerradas para evitar que el agua llegue a la bomba.
4. Siga las marcas del anillo de bloqueo y gire el anillo en sentido antihorario hasta que las marcas de “START” (Inicio) se alineen con los puertos. Consulte las Figuras 13-15.
5. Quite con cuidado la tapa con el anillo de bloqueo.

⚠ ADVERTENCIA

PELIGRO DE DESCARGA ELÉCTRICA

Apague todos los interruptores y el disyuntor principal del circuito eléctrico de la bomba de velocidad variable antes de comenzar el procedimiento. Si no se cumple esta indicación, podría haber peligro de descarga eléctrica, lo cual puede provocar lesiones personales o la muerte.

⚠ ADVERTENCIA

PELIGRO DE DESCARGA ELÉCTRICA

Debido al posible riesgo de incendios, descargas eléctricas o lesiones, las bombas Jandy® deben instalarse en conformidad con National Electrical Code® (NEC®), todos los códigos eléctricos y de seguridad locales y la Ley de Seguridad y Salud Ocupacionales (Occupational Safety and Health Act, OSHA). Puede solicitar ejemplares de NEC a National Protection Association, 1 Batterymarch Park, Quincy, MA 02169, o a su organismo gubernamental de inspección local.

En Canadá, las bombas Jandy deben instalarse en conformidad con el Código Eléctrico Canadiense (CEC).

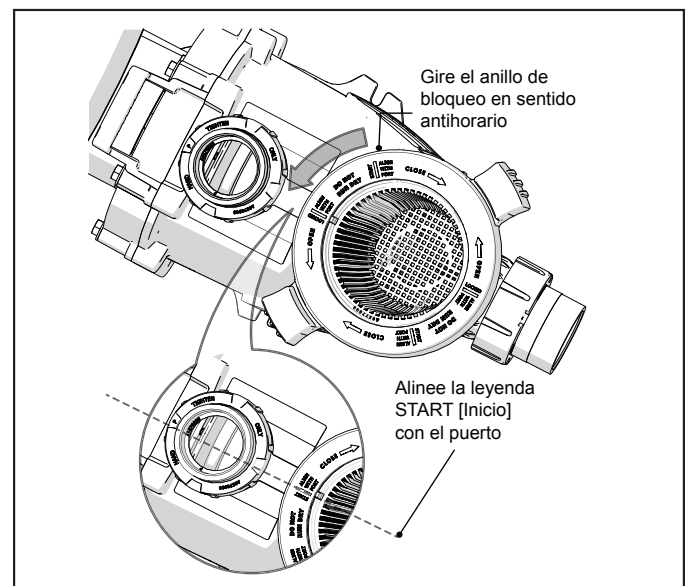


Figura 12. Desconectar el anillo de bloqueo

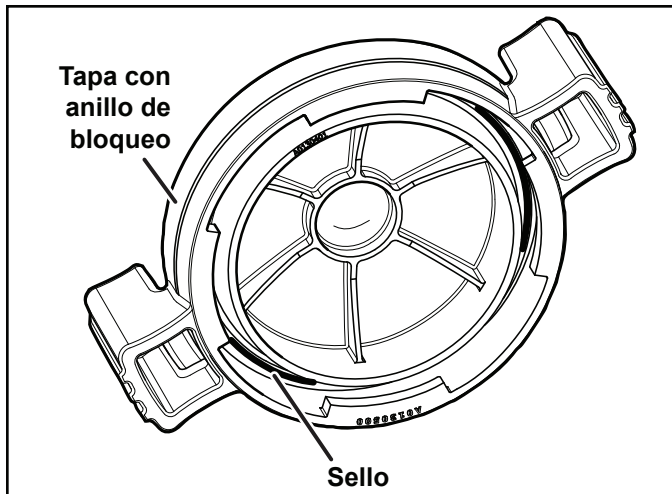


Figura 13. Junta tórica en el conjunto de la tapa

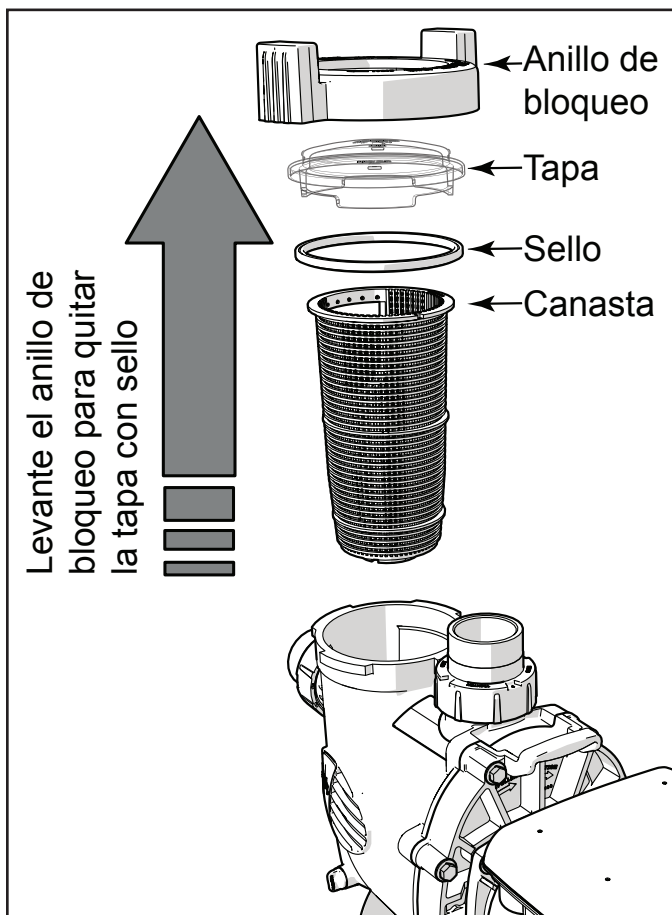


Figura 14. Quitar la tapa de la bomba

5.2 Preparación de la bomba para el invierno

⚠ PRECAUCIÓN

La bomba **debe** protegerse cuando se esperen temperaturas por debajo del punto de congelamiento. Si se permite que la bomba se congele, se producirán daños graves y se podría anular la garantía.

⚠ PRECAUCIÓN

No use soluciones anticongelantes en los sistemas de la piscina, del hidromasaje o del jacuzzi. El anticongelante es extremadamente tóxico y puede dañar el sistema de circulación. La única excepción es el propilenglicol. Para obtener más información, consulte en la tienda local de suministros para la piscina/el hidromasaje o comuníquese con una empresa cualificada de servicio de piscinas.

1. Drene toda el agua de la bomba, de los equipos del sistema y de las tuberías.
2. Quite los dos (2) tapones de vaciado. Guarde los tapones de vaciado en un lugar seguro y vuelva a instalarlos cuando finalice la estación de clima frío. **Asegúrese de no extraviar los tapones de drenaje ni las juntas tóricas**
3. Mantenga cubierto y seco el motor. No cubra la bomba con plástico, porque esto creará condensación que dañará la bomba.

NOTA Zodiac Pool Systems LLC recomienda que un técnico de servicio o electricista cualificado desconecte correctamente el cableado eléctrico en el interruptor o en la caja de empalmes. Después de cortar la energía, afloje las dos (2) uniones y guarde la bomba en una ubicación interior. Por seguridad, y para evitar el ingreso de contaminantes, reinstale todas las cubiertas de la caja de distribución y de la caja de terminales.

4. Cuando vuelva a abrir el sistema para su operación, solicite a un técnico o electricista cualificado que asegure que todas las tuberías, las válvulas, los cableados y los equipos estén en conformidad con las recomendaciones del fabricante. Preste mucha atención al filtro y a las conexiones eléctricas.
5. La bomba debe cebarse antes de ponerse en funcionamiento. Consulte la sección 4.1, Puesta en funcionamiento.

Sección 6. Resolución de problemas y reparación

Zodiac Pool Systems LLC recomienda con énfasis que llame a un técnico de servicio cualificado para llevar a cabo cualquier reparación en el sistema del filtro/de la bomba. Para encontrar a un técnico cualificado, consulte las páginas amarillas locales o visite ZodiacPoolSystems.com o ZodiacPoolSystems.ca y haga clic en “Find a Dealer” (Encontrar un distribuidor).

Síntoma	Causa posible/solución
El motor no enciende o el controlador no detecta el motor	No llega electricidad al motor. Haga que un profesional certificado controle el voltaje del terminal de energía principal con el disyuntor encendido. El voltaje debe estar dentro del 10 % del voltaje de la placa de datos del motor.
	Ocurrió un error en el motor. Reinicie el sistema del motor. Si ocurrió un error en el motor, aparecerá un código de falla en el controlador. Para eliminar el error, apague el disyuntor principal que está conectado al motor. Espere por lo menos 5 minutos antes de encender de nuevo el motor. Se debe drenar por completo el voltaje de los condensadores para reiniciar el sistema de manera adecuada.
	Cableado de bajo voltaje incorrecto. La conexión RS-485 debe estar asegurada sin cables rotos. Inspeccione el cableado de bajo voltaje para ver si hay signos de corrosión. De ser necesario, corte los cables y decape hilos nuevos. Asegure que no haya pedazos de cable rotos dentro del conector RS-485.
	Cableado de bajo voltaje roto. El cable puede estar roto entre el motor y el controlador. Con todo desconectado, tome un multímetro y ajústelo a ohmios/continuidad. Controle la continuidad de cada línea de bajo voltaje desde el lado del motor hasta el lado del controlador. De ser necesario, reemplace los cables RS-485 por completo.
	Cableado de bajo voltaje incorrecto. Controle los cables del conector RS-485. Los colores de los cables para los pines 1-4 deben ser rojo, negro, amarillo y verde.
	Pruebe la correa de transmisión con el método de puenteo RS-485. Utilizando secciones pequeñas de cable de 22 AWG, puentee los pines 1-3 y 2-4. Estos cables se pueden hacer cortando una sección de los cables RS-485. Instale nuevamente el conector y coloque la cubierta de acceso. Suministre energía al motor. El motor debe girar a 2600 RPM por tiempo indefinido. Si el motor funciona, hay un problema con la línea RS-485 o con el controlador. Comuníquese con el soporte técnico de Zodiac llamando al 800.822.7933.
	Interruptores DIP con la configuración incorrecta. El impulsor de velocidad variable tiene dos interruptores DIP, 3 y 4. Los dos deben estar en la posición OFF (Apagado) para la Bomba 01. Esta es la configuración para todos los controladores que no son automáticos y para la primera bomba automática. Si se controla más de una bomba de velocidad variable con un sistema automático, las bombas deben estar configuradas de manera adecuada. Consulte la sección de interruptores DIP del manual para configurar los otros motores.
	Controle el programa. El motor solo se encenderá durante los tiempos programados ajustados con el controlador. Verifique que el motor está programado para encenderse en ese momento.
Si todavía tiene problemas para encender el motor o continúa mostrando fallas, comuníquese con el servicio técnico de Zodiac llamando al 800.822.7933.	
El motor se enciende, pero se apaga al poco tiempo	Pueden haber desechos atascados entre el rodete y el difusor. Esto no permite que el eje conductor gire y provoca un error en el motor. Haga que un profesional certificado lo controle para ver si el eje conductor se atasca si se apaga todo. Una prueba rápida puede ser insertar una llave Allen 5/16" en la parte trasera de la carcasa del ventilador para acceder al eje conductor. Gire manualmente el eje conductor para ver si está atorado. Si encuentra una gran cantidad de desechos, controle que no haya roturas en la canasta. De ser necesario, reemplace la canasta.
	Si todavía tiene problemas para encender el motor, comuníquese con el soporte técnico de Zodiac al 800.822.7933.
El motor se calienta y se apaga periódicamente	Verifique que haya espacio suficiente alrededor del motor para hacer circular aire y mantener el motor fresco. Indique a un electricista cualificado que verifique que no haya conexiones eléctricas sueltas y que verifique el voltaje en el motor mientras está en funcionamiento. Si el voltaje principal está desfasado en un 10 % en relación con la placa de datos del motor, el motor se puede estar sobrecargando. Comuníquese con su proveedor de energía de superficie local.

Síntoma	Causa posible/solución
No hay alimentación eléctrica hacia el controlador.	Esto es exclusivo para cualquier controlador que no tenga un sistema automático. El motor tiene la capacidad de alimentar los controladores a través de la línea RS-485. Haga que un electricista certificado controle el voltaje de la línea RS-485 mientras el motor recibe suministro eléctrico. El voltaje debe estar entre 8 y 12 voltios CC entre los pines 1 y 4. Si el voltaje es menor al deseado o no hay voltaje, comuníquese con el servicio técnico de Zodiac llamando al 800.822.7933.
	Cableado de bajo voltaje incorrecto. Controle los cables del conector RS-485. Los colores de los cables para los pines 1-4 deben ser rojo, negro, amarillo y verde.

6.1 Mantenimiento del técnico de servicio

PRECAUCIÓN

Solo un técnico de servicio profesional cualificado en instalación de piscinas/hidromasajes debe llevar a cabo el servicio en esta bomba. Los procedimientos siguientes deben seguirse con exactitud. La instalación o la operación incorrectas pueden crear peligros eléctricos importantes, que pueden provocar que pasen voltajes altos por el sistema eléctrico. Esto puede provocar daños materiales, lesiones graves y la muerte. Una instalación u operación incorrectas pueden anular la garantía.

ADVERTENCIA

Antes de llevar a cabo el servicio de la bomba, apague los disyuntores en la fuente de energía. Pueden producirse lesiones graves o la muerte si la bomba se inicia cuando su mano está dentro de la bomba.

6.1.1 Impulsor bloqueado

1. Apague la bomba. Apague el disyuntor del motor de la bomba.
2. Quite la tapa y la canasta.
3. Busque residuos dentro de la bomba y elimínelos.
4. Vuelva a colocar la canasta y la tapa.
5. Encienda el disyuntor del motor de la bomba.
6. Encienda la bomba y vea si se resolvió el problema.
7. Si el impulsor continúa bloqueado con residuos y no es posible eliminarlos con los pasos 2 a 4, es necesario desarmar la bomba para acceder a la entrada y a la salida del impulsor.

Sección 7. Especificaciones del producto y datos técnicos

La vista ampliada es solo para referencia general. Los modelos específicos pueden diferir. Consulte la información de contacto debajo para obtener información sobre los repuestos de modelos específicos de bomba. Para obtener una lista completa de los repuestos, visite el sitio web www.Jandy.com o comuníquese con el soporte técnico de Zodiac al 1.800.822.7933 o por correo electrónico a productsupport@fluidra.com. En Canadá, llame al 1.888.647.4004 o escriba a customer.service@fluidra.com.

7.1 Vistas ampliadas

- | | |
|--------------------------------------|---|
| 1) Motor, impulsor | 12) Anillo de bloqueo y junta tórica |
| 2) Componentes del motor | 13) Canasta del filtro de residuos de la bomba |
| 3) Aditamentos del ventilador | 14) Pieza posterior (2), junta tórica (2) y tuerca de la unión (2) |
| 4) Pie de montaje del motor | 15) Sello mecánico |
| 5) Aditamentos de la placa de apoyo | 16) Tapón de drenaje con junta tórica (2) |
| 6) Placa de apoyo | 17) Base ajustable pequeña con distanciadores (modelos VSFHP únicamente) |
| 7) Junta tórica de la placa de apoyo | 18) Soporte de la interfaz de usuario |
| 8) Impulsor y aditamentos | 19) Interfaz de usuario |
| 9) Difusor y aditamentos | 20) Mango de cuerda impermeable |
| 10) Junta tórica del difusor | |
| 11) Cuerpo de la bomba | *) Base ajustable grande (n.º de pieza R0546400 opcional para utilizar con modelos VSFHP únicamente) |

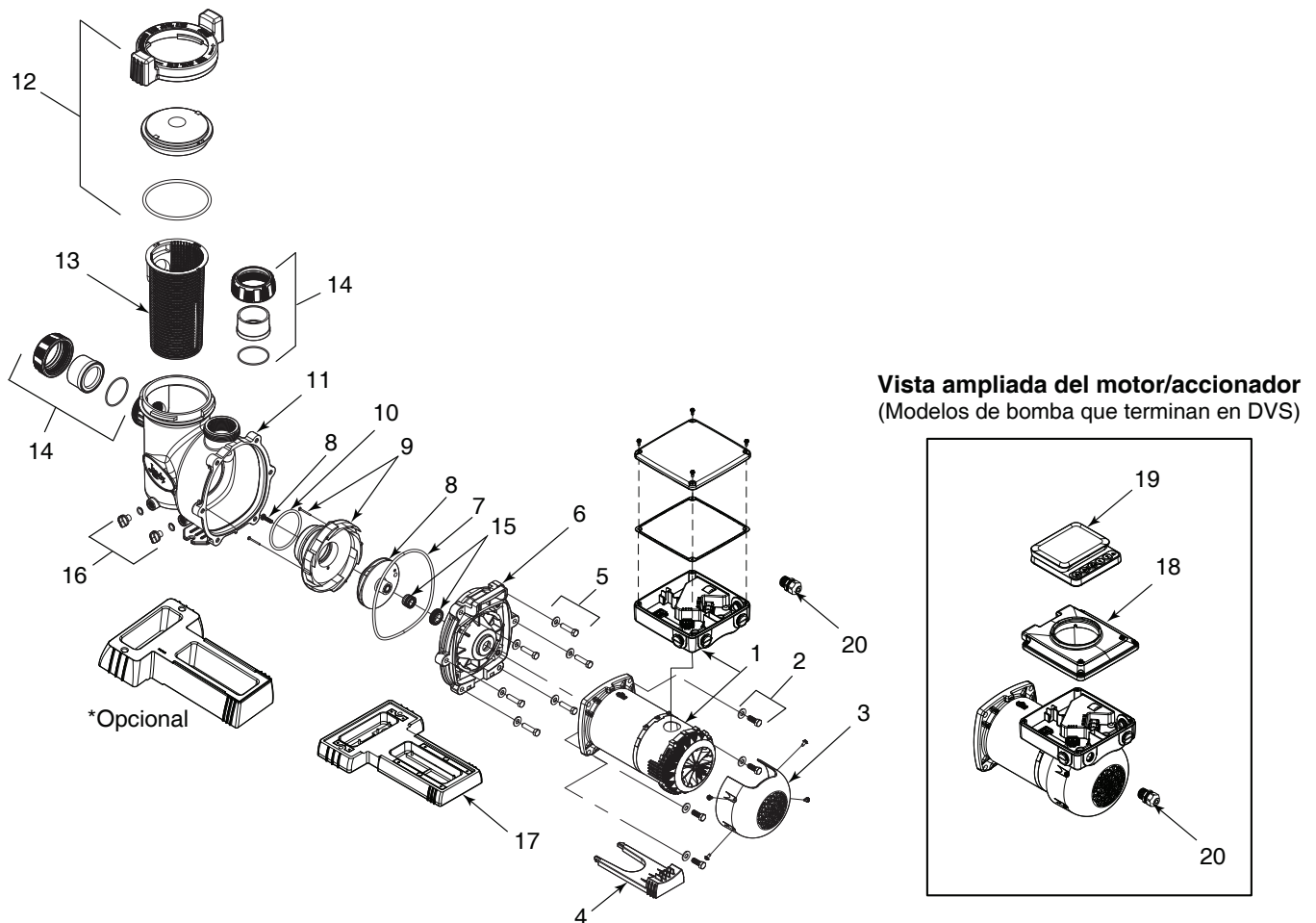
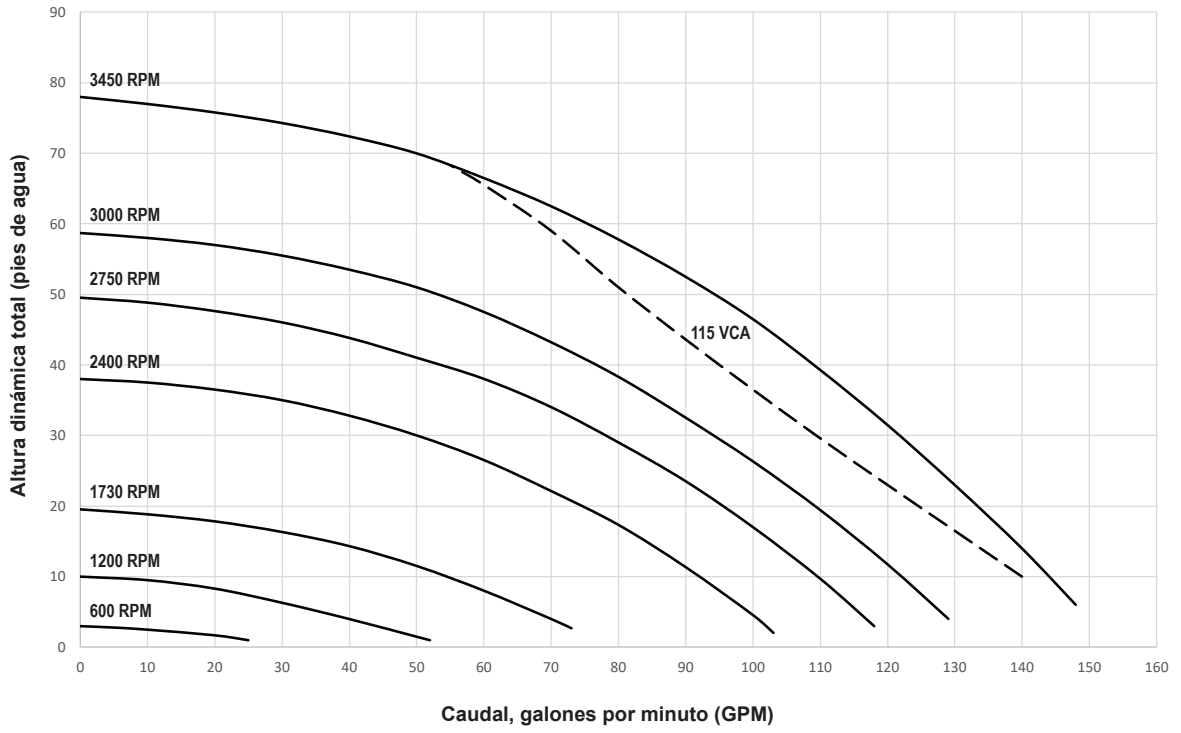


Figura 16. Vista ampliada de la bomba de velocidad variable Jandy (los modelos específicos pueden diferir de la ilustración)

Curvas de la bomba VSFHP185DV(S) - 115 V/230 V



Zodiac Pool Systems LLC

2882 Whiptail Loop #100, Carlsbad, CA 92010 USA
EE. UU. | 1.800.822.7933 | www.Jandy.com

Zodiac Pool Systems Canada, Inc.

2-3365 Mainway, Burlington, Ontario, L7M 1A6 Canadá
+ 1.888.647.4004 | www.Jandy.ca

©2023 Zodiac Pool Systems LLC. Todos los derechos reservados. ZODIAC® es una marca registrada de Zodiac International, S.A.S.U. y se utiliza bajo licencia. Todas las demás marcas comerciales son propiedad de sus respectivos dueños.

H0719301 RevA



ETL LISTED
CONFORMS TO
UL STD 1081

Certified to
CAN/CSA C22.2
No. 108

