

# Artisan Series

## Designer Inspired Rails



The Artisan Series is a patent pending designer inspired rail line that provides an elegant custom look for any pool environment. They are the ideal choice for pool renovation projects.

- Tubing: 1.90" OD
- Wall Thickness: .065"
- Stainless Steel: 304 or 316L Marine Grade\* (add -MG to part number)
- Treads (Ladder Only): LTDF-103 Stainless Steel
- Options: Powder-coating available
- Recommended anchors: AS-100P or AS-100B (order separately)
- Recommended escutcheon: EP-100F (order separately)

\* Minimum requirement for salt pools is 316L Marine Grade.

Model No.	Description	Shipping			
		Weight	Length	Width	Height
ART-1001S	Hand Rail (single)	15 lbs 6.8kg	46" 116.8cm	39" 99.0cm	2" 5.1cm
ART-1001	Hand Rail (pair)	30 lbs 13.6kg	46" 116.8cm	39" 99.0cm	5" 12.7cm
ART-1002	Stair Rail (single)	25 lbs 11.3kg	84" 213.3cm	70" 177.8cm	2" 5.1cm
ART-1003	Ladder	40 lbs 18.1kg	78" 198.1cm	41" 104.1cm	2" 5.1cm
ART-1004	Deck-Mounted Stair Rail (single)	20 lbs 9.1kg	78" 198.1cm	41" 104.1cm	2" 5.1cm
ART-1005	Deck-Mounted Hand Rail (pair)	40 lbs 18.1kg	78" 198.1cm	41" 104.1cm	5" 5.1cm



ART-1001



ART-1002



ART-1003

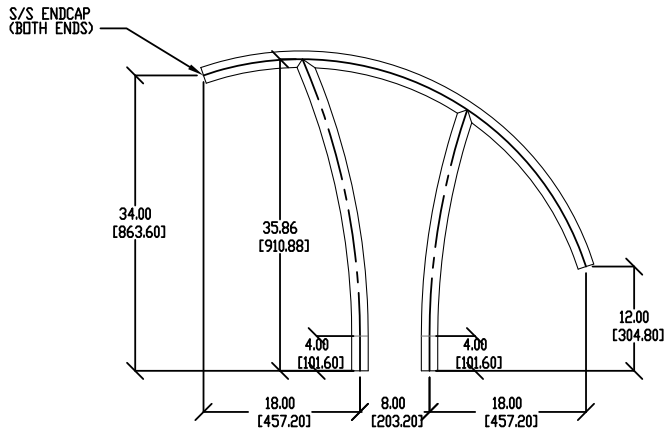


ART-1004

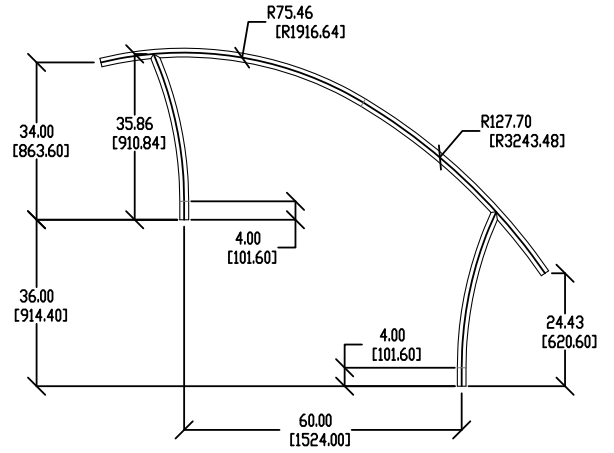


ART-1005

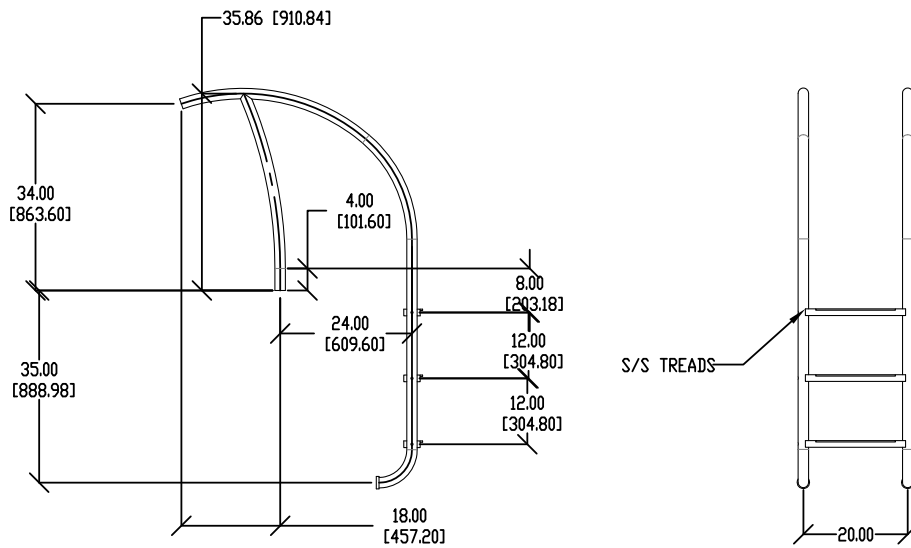
Hand Rail (ART-I001)



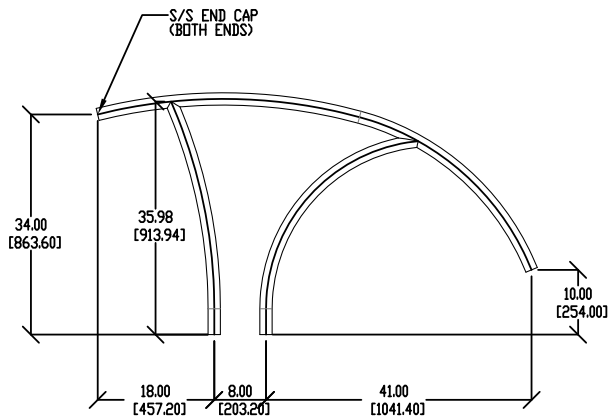
Stair Rail (ART-I002)



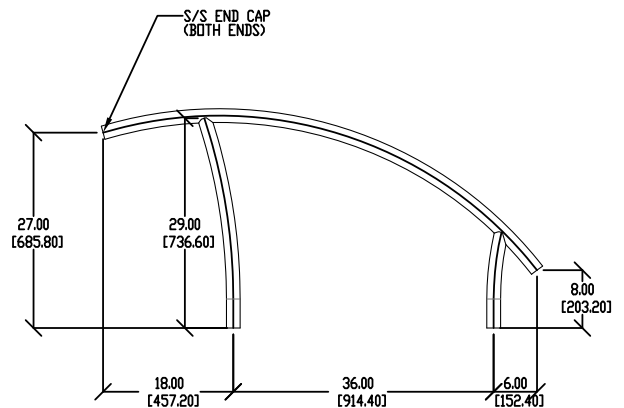
Ladder (ART-I003)



Deck-Mounted Stair Rail (ART-I004)



Deck-Mounted Hand Rail (ART-I005)



Note: Leg lengths on all Artisan rails include 4" to go into anchors.