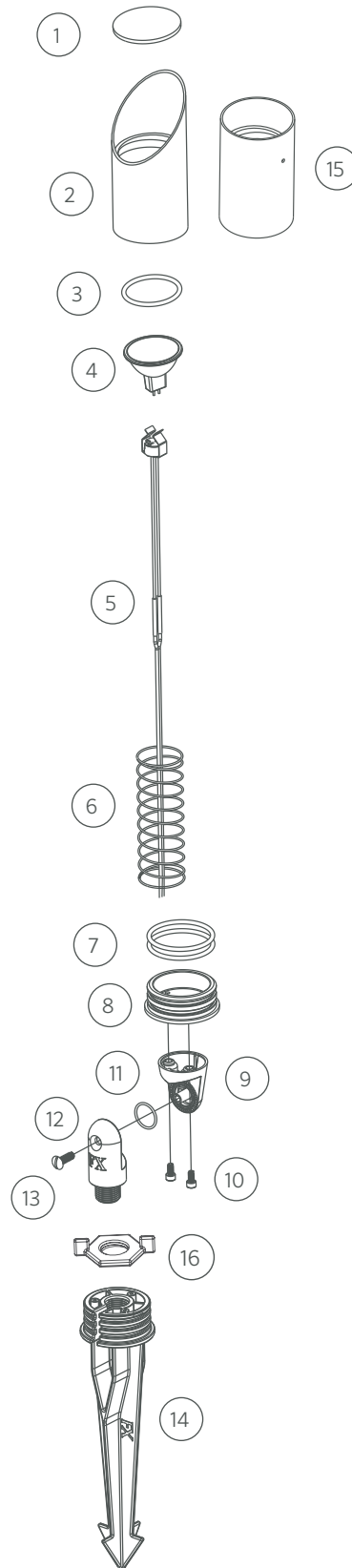


# STANDARD | UP LIGHT | LR

## Replacement Parts

ITEM	DESCRIPTION	CATALOG #
1	Lens, $\frac{13}{100}$ " Thick x 2 $\frac{1}{40}$ " Diameter	-
2	Shroud, Straight, LR	-
1-2	Lens Cap Assembly	LRLCXX*
1, 15	Lens Cap Assembly (Long Shroud)	LRLCLSXX*
3	O-Ring, Silicone, Orange, -224	250010280006
4	Lamp, MR-16	See MR-16 LED Chart
5	Socket Assembly, MR-16, 18GA SPT-1	761600
6	Spring, Compression	405500
7	O-Ring, Silicone, Orange, -226	250010280025
8	Body, LR	-
9	Base, Knuckle, Brass	-
10	Screw, SCH, #10-24 x $\frac{3}{8}$ " LG, SST	250013940000
11	O-Ring, Silicone, Orange, -019	250010280002
12	Fitting, Knuckle, Brass	KFM050XX*
13	Screw, OVHD, $\frac{1}{4}$ "-20 x $\frac{3}{4}$ " LG, Mach, Sltd, Brass, 82°	250010630000
14	Long Slot Spike (LSS)	250015840000
15	Shroud, Angled, LR	-
16	Lock Ring	250030410000

\* XX = BS, CU, NP finish codes only



# STANDARD | UP LIGHT | LR

## MR-16 LED Chart

DESCRIPTION	CATALOG #
Lamp, MR-16, 10 W, 32°, 1,200 Hrs	250010220001
Lamp, MR-16, 20 W, 12°, 5,000 Hrs	250010220002
Lamp, MR-16, 20 W, 24°, 5,000 Hrs	250010220003
Lamp, MR-16, 20 W, 24°, 10,000 Hrs	250010220004
Lamp, MR-16, 20 W, 36°, 5,000 Hrs	250010220005
Lamp, MR-16, 20 W, 36°, 10,000 Hrs	250010220006
Lamp, MR-16, 20 W, 36°, 12,000 Hrs	250010220007
Lamp, MR-16, 20 W, 60°, 5,000 Hrs	250010220008
Lamp, MR-16, 35 W, 12°, 5,000 Hrs	250010220009
Lamp, MR-16, 35 W, 24°, 5,000 Hrs	250010220010
Lamp, MR-16, 35 W, 24°, 10,000 Hrs	250010220011
Lamp, MR-16, 35 W, 36°, 5,000 Hrs	250010220012
Lamp, MR-16, 35 W, 36°, 10,000 Hrs	250010220013
Lamp, MR-16, 35 W, 36°, 18,000 Hrs	250010220014
Lamp, MR-16, 35 W, 60°, 5,000 Hrs	250010220015
Lamp, MR-16, 50 W, 12°, 5,000 Hrs	250010220016
Lamp, MR-16, 50 W, 12°, 10,000 Hrs	250010220017
Lamp, MR-16, 50 W, 25°, 5,000 Hrs	250010220018
Lamp, MR-16, 50 W, 24°, 10,000 Hrs	250010220019
Lamp, MR-16, 50 W, 36°, 5,000 Hrs	250010220020
Lamp, MR-16, 50 W, 36°, 10,000 Hrs	250010220021
Lamp, MR-16, 50 W, 36°, 18,000 Hrs	250010220022
Lamp, MR-16, 50 W, 60°, 5,000 Hrs	250010220023

