

Artisan Custom Rail Request

Project Name _____

Residential Commercial

Distributor Name _____

Distributor Contact Name _____

Distributor Address _____

City _____

State _____

Zip _____

Distributor Phone _____

Fax _____

Distributor Email _____

Tubing: Outside Diameter 1.90"

Wall Thickness .065"

Grade 304 (standard)

.109"

316L (marine grade)

1.50"
 .120" ONLY

Coating: SealedSteel Vinyl* None

Powder Coating* None

*Escutcheons not included

White

White

Copper Vein

Taupe

Taupe

Hammertone

Gray

Silver Gray

Black

Dark Gray

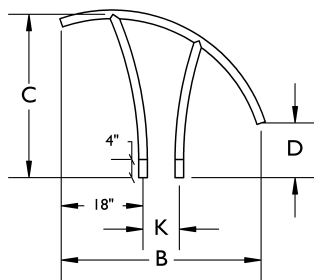
Rock Gray

Black

Requested Handrail Pattern:

ART-1001

Qty: _____



Single

Pair

B: _____

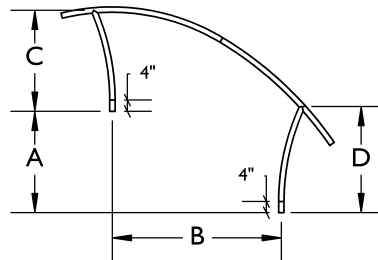
C: _____

D: _____

K: _____

ART-1002

Qty: _____



A: _____

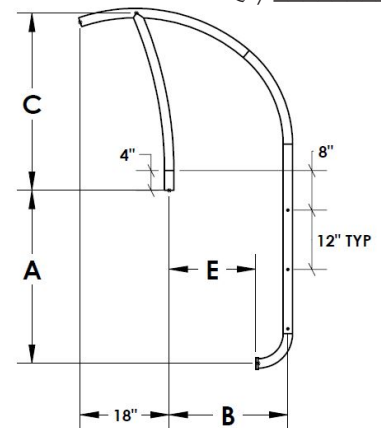
B: _____

C: _____

D: _____

ART-1003

Qty: _____



A: _____

B: _____

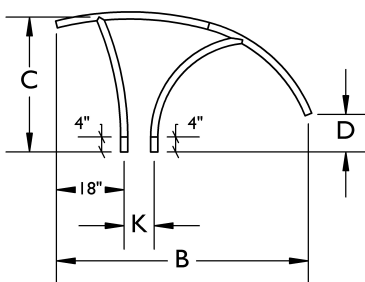
C: _____

E: _____

NUMBER OF STEPS _____

ART-1004

Qty: _____



B: _____

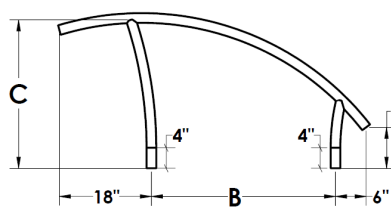
C: _____

D: _____

K: _____

ART-1005

Qty: _____



B: _____

C: _____

D: _____

Single

Pair

ALL LEG LENGTHS SHOULD INCLUDE THE AMOUNT TO BE INSERTED INTO THE ANCHOR

Please fax to 615-805-3246 or email customrails@srsmith.com

Phone: 615-805-3246
Fax: 615-805-3246
Email: customrails@srsmith.com

