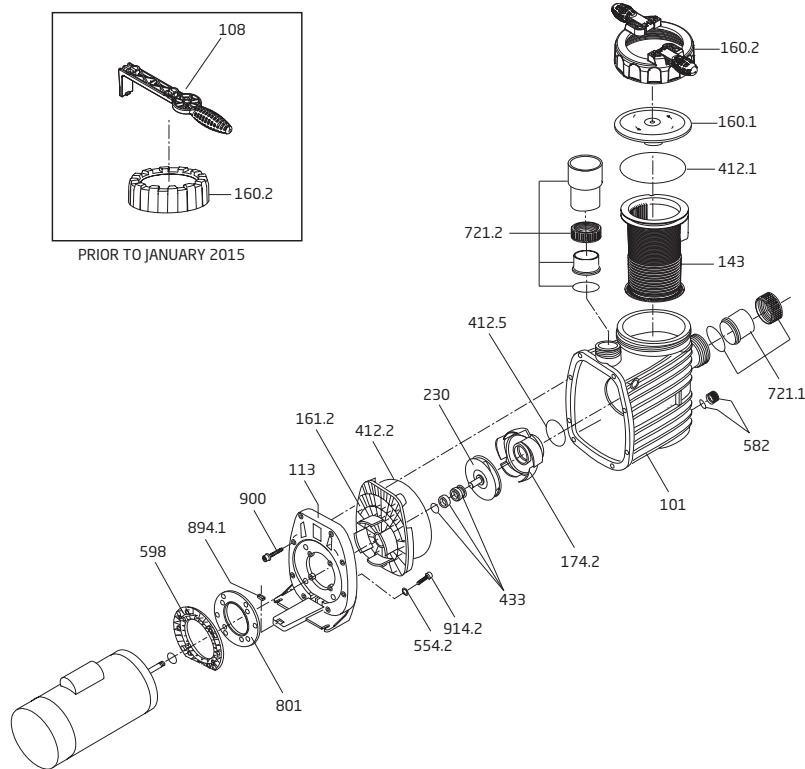


# Model S90

Self-Priming Swimming Pool Pump



Order#	Drawing #	Qty Required	Description
2901116010	160.1	1	Lid - Clear
2921116012B	Not Shown	1	Lid - Clear w/ LED Light
2921116022	160.2	1	Lid - Lock Ring w/ Handles
2921141210	412.1	1	O-ring - Lid 137 x 5mm
2901114300	143	1	Basket
2921110108TB	101	1	Casing - Thru Bolt
2901158200	582	1	Drain Cap 3/8" w/ Gasket
2920889410	894.1	1	Lego Spacer
2991000120	900	8	Screw - Casing 1/4"-20 x 2.5"
2991300035	900	8	Nut - Serrated Flange 1/4"-20
2991000012	900	8	Washer - Flat #12
2920141210	412.5	1	O-ring - Diffuser 90 x 5mm
2921117412	174.2	1	Diffuser
2920223089	230	1	Impeller (-I) - 0.75 HP S.F. 1.0 104 x 3.5mm
2920223098	230	1	Impeller (-II) - 1.0 THP 98 x 9.0mm
2920223091	230	1	Impeller (-III) - 1.5 HP S.F. 1.0 106 x 9.0mm
2920223092	230	1	Impeller (-IV) - 2.0 HP S.F. 1.0 114 x 9.0mm
2920343310	433	1	Mechanical Seal (20mm) - Carbon/Ceramic
2921141222	412.2	1	O-ring - Casing 190 x 6mm
2920216110	801	1	Intermediate Flange
2921116110	161.2	1	Seal Housing

Order#	Drawing #	Qty Required	Description
2921111300	113	1	Flange
2920110200	598	1	Motor Flange - 56 Frame
2991400029	914.2	4	Bolt - Motor (3/8-16 x 2.25")
2991400035	554.2	4	Washer - Motor (3/8" SS)
2921770005	721.1	1	Union Package - Suction
2500300902	721.2	1	Union Package - Discharge
2500300914	721.1 & 721.2	1	Union Package - Suction/ Discharge

**Parts Below Are Unique to the Model S90 Shipped Prior to 01/2015**

2901116020	160.2	1	Lock Ring - Lid
2921157700	108	1	Spanner - Lid (Optional Part)

**Parts Below Are Unique to the Model S90 Shipped Prior to 07/2021**

2920223090	230	1	Impeller (-II) - 1.0 HP S.F. 1.0 101 x 9.0mm
------------	-----	---	---

**Go Kits For The Model S90**

SPK-S90-GOKIT	Not Shown	1	Seal GoKit*
---------------	-----------	---	-------------



\* Please Note: That the Seal Go Kits includes the following items:  
Mechanical Seal, & O-rings.