

## Sand Filter

Models: SF5M60, SF5M100, SF5M120, SF5M140, SF5M100F, SF5M120F, SF5M140F

### WARNING

FOR YOUR SAFETY – This product must be installed and serviced by a contractor who is licensed and qualified in pool equipment by the jurisdiction in which the product will be installed where such state or local requirements exist. The maintainer must be a professional with sufficient experience in pool equipment installation and maintenance so that all of the instructions in this manual can be followed exactly. Before installing this product, read and follow all warning notices and instructions that accompany this product. Failure to follow warning notices and instructions may result in property damage, personal injury, or death. Improper installation and/or operation may void the warranty.



Improper installation and/or operation can create unwanted electrical hazard which may cause serious injury, property damage, or death.

ATTENTION INSTALLER – This manual contains important information about the installation, operation and safe use of this product. This information should be given to the owner/operator of this equipment.

## Table of Contents

<p><b>Section 1. Important Safety Instructions..... 3</b></p> <p>1.1 Safety Instructions ..... 3</p> <p><b>Section 2. Getting Started..... 4</b></p> <p>2.1 Package Contents..... 4</p> <p>2.2 Jandy Valve® Compatibility ..... 4</p> <p>2.3 Required Tools/Equipment..... 4</p> <p>2.4 Specifications And Dimensions ..... 5</p> <p>2.5 Function ..... 6</p> <p>2.6 Equipment Location ..... 6</p> <p><b>Section 3. Setup..... 8</b></p> <p>3.1 Install Pressure Gauge ..... 8</p> <p>3.2 Plumbing ..... 9</p> <p>3.3 Fill the Filter..... 9</p> <p>3.4 Install The Filter Lid ..... 11</p>	<p><b>Section 4. Startup And Operation ..... 12</b></p> <p>4.1 Startup ..... 12</p> <p>4.2 Operation ..... 13</p> <p>4.3 Draining the Filter and Removing the Filter Sand ..... 15</p> <p><b>Section 5. Maintenance..... 16</b></p> <p>5.1 General Maintenance ..... 16</p> <p>5.2 Pressure Gauge..... 17</p> <p>5.3 Winterizing..... 17</p> <p><b>Section 6. Troubleshooting ..... 17</b></p> <p><b>Section 7. Performance..... 18</b></p> <p><b>Section 8. Product Specifications and Technical Data ..... 19</b></p> <p>8.1 Exploded Views..... 19</p>
--	---

### SAVE THESE INSTRUCTIONS

<b>EQUIPMENT INFORMATION RECORD</b>	
<b>DATE OF INSTALLATION</b>	_____
<b>INSTALLER INFORMATION</b>	_____
<b>INITIAL PRESSURE GAUGE READING (WITH CLEAR FILTER)</b>	_____
<b>PUMP MODEL</b>	_____
<b>HORSEPOWER</b>	_____
<b>NOTES</b>	_____
	_____
	_____

## Section 1. Important Safety Instructions

### READ AND FOLLOW ALL INSTRUCTIONS

#### 1.1 Safety Instructions

#### WARNING

**MAXIMUM OPERATING PRESSURE OF THE FILTER IS 50 PSI.**

**NEVER SUBJECT THE FILTER TO ANY OPERATING PRESSURE EXCEEDING 50 PSI.**

- Do not connect the system to an unregulated city water system or other external source of pressurized water producing pressures greater than 35 PSI.
- This filter operates under high pressure. When any part of the circulating system, i.e., filter, pump, valve(s), etc. is serviced, air can enter the system and become pressurized when the system is restarted.
- Pressurized air in a system can cause product failure or also cause the filter lid to be blown off which can result in death, serious personal injury or property damage. Ensure that all air is out of the system before operating the equipment.
- To minimize risk of severe injury or death, the filter and/or pump should not be subjected to the piping pressurization test. Local codes may require the pool piping system to be subjected to a pressure test. These requirements are generally not intended to apply to the pool equipment such as filters or pumps. Jandy pool equipment is pressure tested at the factory. If however, this **WARNING** cannot be followed and pressure testing of the piping system must include the filter and/or pump **BE SURE TO COMPLY WITH THE FOLLOWING SAFETY INSTRUCTIONS.**
- Check all clamps, bolts, lids, locking devices and system accessories to ensure they are properly installed and secured before testing.
- RELEASE ALL AIR in the system before testing.
- Water pressure for test must NOT EXCEED 35 PSI.
- Water temperature for test must NOT EXCEED 100° F (38° C).
- Limit test to 24 hours. After test, visually check system to be sure it is ready for operation.

**NOTICE:** These parameters apply only to Jandy equipment. For non-Jandy equipment, consult the equipment manufacturer.

#### WARNING

**To avoid electrical shock hazard, which can result in serious injury or death:**

- Ensure that all electrical to the system is turned off before approaching, inspecting or troubleshooting any leaking valves or plumbing that may have caused other electrical devices in the surrounding area to get wet.
- Water discharged from an improperly positioned filter or valve can create an electrical hazard which can cause death, serious injury or property damage.
- Improper dial valve installation can cause product failure or also cause the filter dial to be blown off, which can result in death, serious personal injury or property damage.
- Never attempt to adjust or remove the dial valve when the pump is running or there is pressure in the system. this can cause product failure or also cause the filter dial to be blown off, which can result in death, serious personal injury or property damage.

#### CAUTION

- Maintain your pressure gauge in good working order. The pressure gauge is the primary indicator of how the filter is operating.
- Creating high vacuum levels can cause the tank vessel to crack and leak with the potential for property damage.
- Be sure that all provisions for waste water disposal meet local, provincial or national codes. During any backwash or draining process, 100 gallons or more of water will be discharged. Do not discharge water where it will cause flooding or damage.
- To avoid damaging the laterals (spokes), slowly add the filter media until the laterals are fully covered. Consult Installation and Operation Manual for complete sand filling instructions. Cracked or broken laterals (spokes) will cause sand to be discharged to the pool.

#### CAUTION

- Use equipment only in a pool or spa installation.
- Before repositioning valve(s) and before beginning the assembly, disassembly, removal or adjustment of the lid, or any other service of the circulating system: (A) turn the pump off and shut off any automatic controls to ensure the system is not inadvertently started during servicing (B) open the air release valve. (C) wait until all pressure is relieved (air will have stopped flowing from the air release valve).
- When installing the threaded lid follow *Setup section, Install the Filter Lid* in this manual.
- Once service on the circulation system is complete, follow the *Startup And Operation* section of this manual.
- Maintain circulation system properly. Replace worn or damaged parts immediately.
- Be sure that the filter is properly mounted and positioned according to these installation instructions.
- Do not pressure test above 35 PSI. Pressure testing must be done by a trained pool professional. Use equipment only in a pool or spa installation.

## Section 2. Getting Started

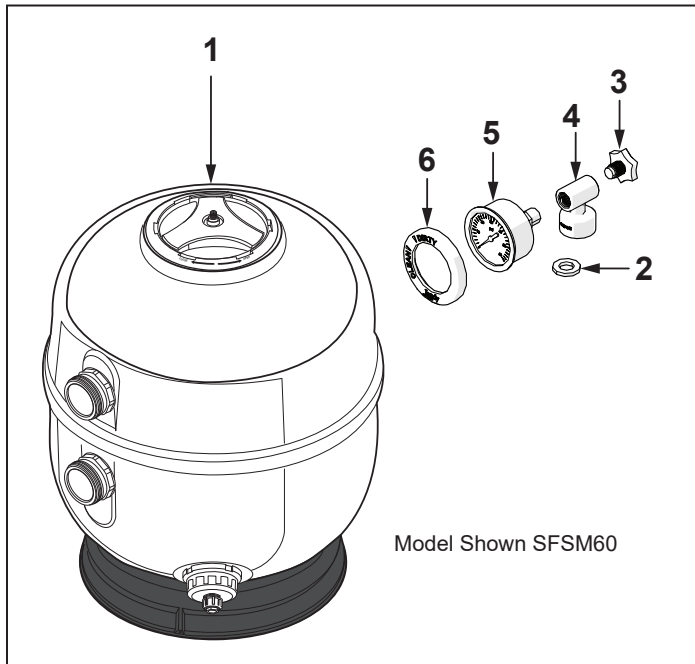
### 2.1 Package Contents

Unpack and check contents. If any parts are missing or damaged please call Customer Support at 1-800-822-7933 or productsupport@fluidra.com.

Item	Description	Qty.
1*	Filter Tank + Lid	1
2	Gasket	1
3	Vent Plug	1
4	Tee	1
5	Pressure Gauge	1
6	Clean/Dirty Snap Ring	1

\* O-Rings come installed from the factory. Please inspect to ensure the O-Ring is installed and properly seated before installation.

\*\*Filter tank comes fully assembled with lateral and diffuser internals. No internal assembly is required.



### 2.2 Jandy Valve® Compatibility

Jandy SFSM filters require a compatible backwash valve. See table below.

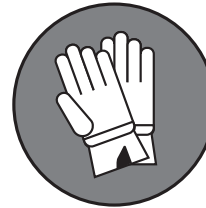
Valve Type	Part No.
Multiport Valve	BWVL-MPV-75
Slide Valve	BWVL-SLD-75
Never Lube® Valve	BWVL-NVL-75

### 2.3 Required Tools/Equipment

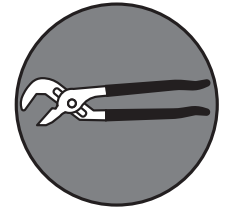
The following list of equipment should be present and available to the installer at the time of install. Failure to use the appropriate safety and installation equipment could lead to personal injury or property damage.



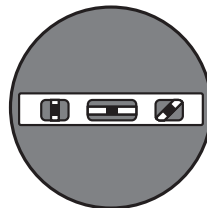
Safety Eyewear



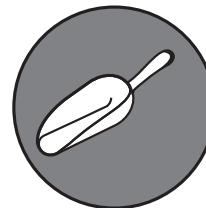
Gloves



Channel Locks



Level



Scoop



PVC Pipe Adhesive



## 2.4 Specifications And Dimensions

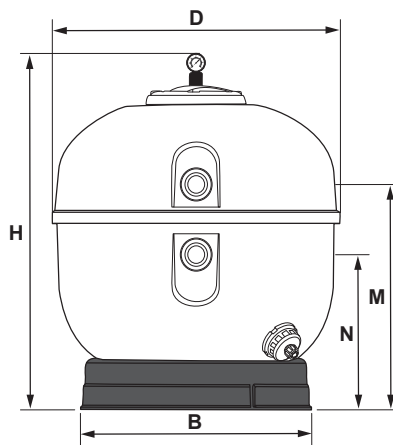
### 2.4.1 Specifications

Specification	SFSM60		SFSM100 SFSM100F		SFSM120 SFSM120F		SFSM140 SFSM140F	
	ft <sup>2</sup>	m <sup>2</sup>	ft <sup>2</sup>	m <sup>2</sup>	ft <sup>2</sup>	m <sup>2</sup>	ft <sup>2</sup>	m <sup>2</sup>
<b>Filtration Area</b>	3.15	0.29	5.00	0.46	5.90	0.55	7.06	0.65
<b>Max Flow Rate</b>	gpm	lpm	gpm	lpm	gpm	lpm	gpm	lpm
	63	238	100	375	118	447	141	533
<b>Max Filtration Rate</b>	20 gpm/ft <sup>2</sup> (815 l/min/m <sup>2</sup> )							
<b>Backwash Flow Rate Min.</b>	gpm	lpm	gpm	lpm	gpm	lpm	gpm	lpm
	47	177	75	284	88	335	105	397
<b>Max Working Pressure</b>	psi	bar	psi	bar	psi	bar	psi	bar
	50	3.4	50	3.4	50	3.4	50	3.4
<b>Six Hour Capacity</b>	gal	lit	gal	lit	gal	lit	gal	lit
	22,680	85,680	36,000	135,000	42,480	160,920	50,760	191,880
<b>Normal Startup Pressure</b>	psi	bar	psi	bar	psi	bar	psi	bar
	5 - 15	0.3 - 1	5 - 15	0.3 - 1	5-15	0.3-1	5-15	0.3-1

### 2.4.2 Dimensions

	SFSM60	SFSM100	SFSM100F	SFSM120	SFSM120F	SFSM140	SFSM140F
<b>Dim "H"</b>	34" (86.3 cm)	41" (104.1 cm)	41" (104.1 cm)	47" (119.4 cm)	47" (119.4 cm)	49.7" (126.2 cm)	49.7" (126.2 cm)
<b>Dim "D"</b>	26.0" (66.0 cm)	32.5" (82.6 cm)	32.5" (82.6 cm)	35.5" (90.2 cm)	35.5" (90.2 cm)	37.5" (95.3 cm)	37.5" (95.3 cm)
<b>Dim "N"</b>	13.625" (34.6 cm)	16.5" (41.9 cm)	16.05" (40.7 cm)	18.75" (47.3 cm)	18.6" (47 cm)	18.75" (47.26 cm)	18.6" (47 cm)
<b>Dim "M"</b>	21.12" (53.6 cm)	24" (61 cm)	23.77" (60.3 cm)	26.41" (67 cm)	26.41" (67 cm)	26.41" (67 cm)	26.41" (67 cm)
<b>Dim "B"</b>	19.29" (49 cm)	24.6" (62.5 cm)	24.6" (62.5 cm)	27.75" (70.5 cm)	27.75" (70.5 cm)	27.75" (70.5 cm)	27.75" (70.5 cm)
<b>Weight (empty)</b>	70 lbs (31.8 kg)	75 lbs (34.0 kg)	80 lbs (36.3 kg)	143 lbs (65 kg)	147 lbs (67 kg)	147 lbs (67 kg)	150 lbs (68 kg)

Figure 1. Filter Dimensions



## 2.5 Function

Jandy high rate sand filters pass unfiltered (dirty) water through sand or sand over a shallow layer of pea gravel. Water enters the filter at the inlet. Unfiltered water then passes through the diffuser(s) and moves down through the filter medium. Larger particles are deposited at the sand bed surface and finer particles are captured in the spaces between the sand grains. Filtered (clean) water then returns to the pool through the laterals.

Over time dirt and particles collected in the filter will make it more difficult for water to pass through, causing a rise in the operating pressure of the filter. When this occurs it will be necessary to perform a backwash procedure.

**Remember to fill the filter halfway with water before loading the filter media.**

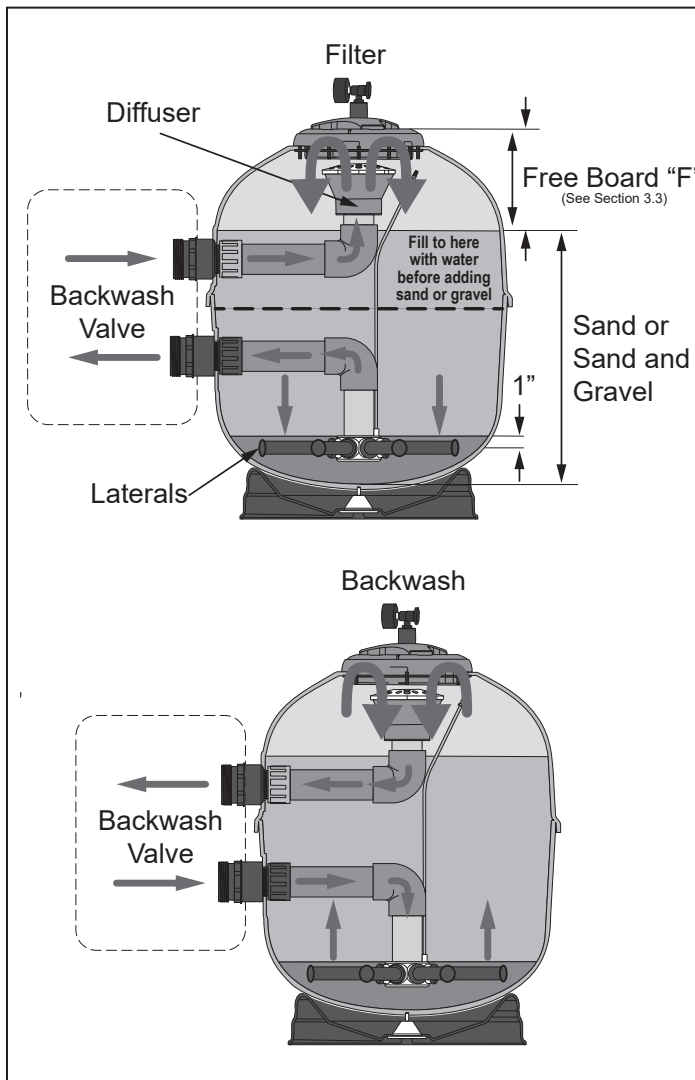


Figure 2. Filter and Backwash Function

During a backwash, water is routed into the outlet port from the filter pump. The water then moves up through the filter media stirring and dislodging particles and debris. The backwashed water is forced back through the diffusers and out the inlet port which will be routed to waste drainage.

### **⚠ WARNING**

Use equipment only in a pool or spa installation. Do not connect system to an unregulated city water system or other external source of pressurized water producing pressures greater than 35 PSI.

## 2.6 Equipment Location

All pool water recirculation system components need to be installed in accordance with the standards and instructions in effect in your county or municipality. Utmost care must be taken to ensure that the equipment is located such that it is able to be safely operated and maintained.

### 2.6.1 Equipment Pad

The filter along with the other primary components of your pool water recirculation system should be installed on a level, prepared footing, which is capable of supporting the weight of the filter and which will accommodate the use of anchoring bolts to secure the equipment in place. Check local building codes for any additional requirements. If possible the equipment pad area should be:

- Dry.
- Well ventilated.
- Supplied with sufficient drainage.
- Out of direct sunlight.
- Located away from eaves or overhangs where rain gutters are not installed.
- Away from overhanging trees or other foliage that may produce waste or debris of any kind that could clog, block or otherwise disrupt the regular operation and maintenance of the equipment.
- As close to the primary body of water as possible. Additional pipe length reduces efficiency due to pipe friction.

### 2.6.2 Filter Location

The filter must be installed on a firm, solid, non-absorbent level surface; and per the requirements of local codes and Authority Having Jurisdiction (AHJ). Filter systems can weigh up to 1,100 lbs. Use suitably rated mounting surface materials to avoid risk of settlement, and never use sand to level the filter as the sand will wash away. Check local building codes for additional requirements. On the equipment pad, the filter should be positioned so that it is:

- At least 6 inches away from walls and/or landscaping to allow for servicing.
- Not located below any eaves, overhangs, coverings or landscaping that might prevent or impede the removal of the filter lid and/or the proper servicing or replacement of the internal components.
- At least 5 feet away from any electrical controls or inputs.
- In line, as best as possible, with other equipment in order to minimize turns in plumbing which can result in diminished efficiency.

- Able to safely direct water drainage.
- Accessible for drainage and proper sand removal.
- Able to purge air and water safely away from other equipment, electrical controls or connections.
- Stationary and not subject to movement.

If the filter needs to be located above the water level of the pool, it can be raised 2.5 ft. without affecting the pump efficiency. A check valve is recommended on the suction line to the pump.

If the filter is to be installed below the water level of the pool, isolation valves should be installed on both the suction and return lines to prevent back flow of pool water during any routine servicing that may be required.

<b>⚠ WARNING</b>
Water discharged from an improperly positioned filter or valve can create an electrical hazard which can cause death, serious injury or property damage.

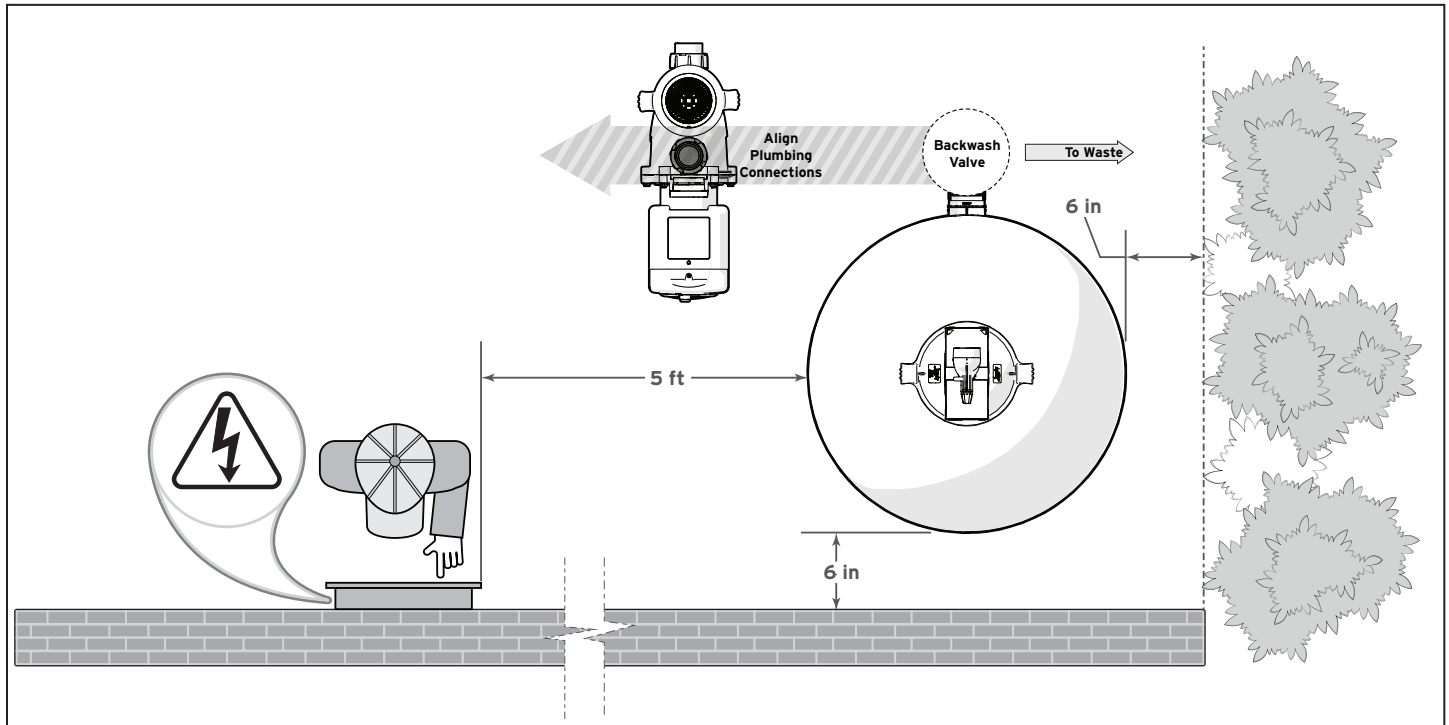


Figure 3. Filter Location Requirements

### 2.6.3 Anchoring the Filter to the Equipment Pad

In some areas, building codes require that all appliances be securely fastened to the equipment pad in order to withstand high wind pressures created by hurricanes. Please follow all local codes and standards. Anchor screws and washers are not included with the filter.

1. After placing the filter, drill a hole at each of the three (3) holes in the base of the filter. (The correct size concrete drill bit should be obtained when the concrete screws are purchased.) The concrete screws must meet any and all applicable building code requirements.
2. Install the screws and washers to secure the filter to the equipment pad. See Figure 4. Do not over torque the screws.

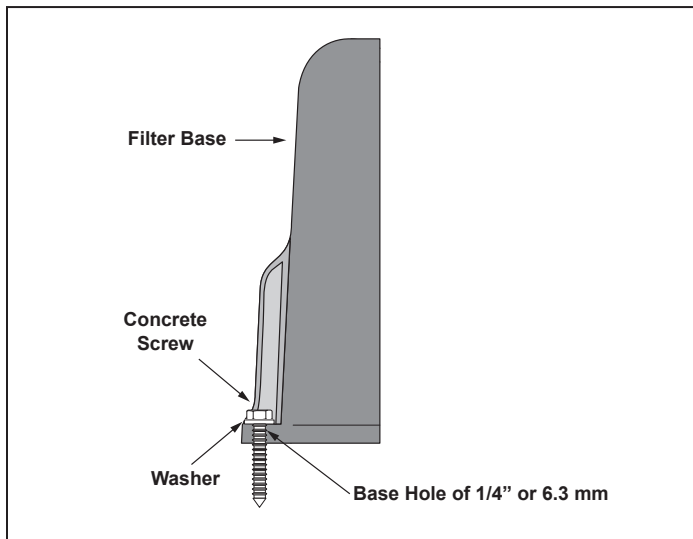


Figure 4. Install Anchor Screws

## Section 3. Setup

### 3.1 Install Pressure Gauge

The pressure gauge is located in the accessory bag. Mount the pressure gauge/air release valve assembly, to the lid of the filter tank:

1. Place the gasket inside the bottom connection of the tee.
2. Thread the tee onto the threaded stem of the of the lid assembly.
  - It is not necessary to use PTFE tape.
3. Thread the vent plug into the larger corner hole of the tee.
4. Wrap the threads of the pressure gauge with PTFE tape and thread into the tee until water tight. Make sure the gauge is oriented properly. Do not over tighten the pressure gauge. Over tightening may cause the tee to crack.
5. Place the snap ring on the gauge after the filter is installed and the pump is running. Align the “Clean” arrow with the pressure reading and press the ring over the pressure gauge. If adjustments need to be made, hold the pressure gauge with one hand while rotating the ring with the other in order to prevent the gauge from rotating. Over rotation in either direction may cause leaks or crack the tee fitting.

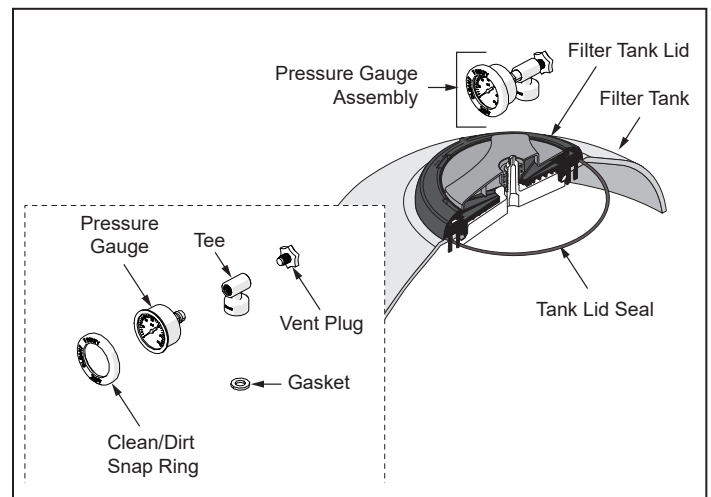


Figure 5. Lid and Pressure Gauge Installation

### **CAUTION**

Maintain your pressure gauge in good working order. The pressure gauge is the primary indicator of how the filter is operating.

## 3.2 Plumbing

### WARNING

To avoid an electrical shock hazard, which can result in serious injury or death, ensure that all electrical power to the system is turned off before approaching, inspecting or troubleshooting any leaking valves or plumbing that may have caused other electrical devices in the surrounding area to get wet.

This filter operates under pressure. Install only on the discharge side of a pump system.

When the lid is installed properly and the filter is operated without air in the water system, this filter will operate in a safe manner.

If the system can be subjected to a higher pressure than the maximum pressure rating of any component, install an ASME® compliant automatic pressure relief valve or pressure regulator in the circulation system. Set the relief valve or pressure regulator to lowest working pressure of any of the components in the system.

DO NOT INSTALL a positive shutoff valve on the outlet plumbing of the filter. If the pump is operated with a closed valve at the outlet, an explosive condition could result. Sometimes equipment isolation valves are required for installations where the filter and other equipment are below the pool water level. Check valves should be used to allow for equipment maintenance without draining down the pool. If the application calls for positive or manual shutoff valves, any **shutoff valves are to be prominently labeled “WARNING: Explosive Hazard. Do Not Run System With Valve Closed.”**

In addition, the use of isolation valves could cause a no flow condition at other equipment. Running any equipment with no flow could seriously damage the equipment.

Chemical feeders and/or chlorine generators should be installed downstream of both the filter and the heater and a check valve should be installed to prevent treated water from back flowing from the chlorine generators or chemical feeders.

### CAUTION

Operating at high vacuum levels can cause the tank vessel to crack and leak with the potential for property damage.

Backwash (waste) piping that discharges water at an elevation of 10 ft. or lower than the water surface of the pool should be equipped with a vacuum-breaker in the waste piping within 10 ft. in vertical drop from the elevation of the pool surface.

### 3.2.1 Plumbing Connections

- Place the filter on the concrete pad, lined up with the inlet/outlet pipes. See Figure 3.
  - To reduce the loss of pressure, it is recommended to use a pipe equal to or greater than the diameter of the outlets, for the installation of the system.
- Install the backwash valve.
  - Connect the inlet and outlet plumbing to the valve as detailed in the valve manual.
  - For best efficiency use the fewest possible number of fittings. This will prevent a restriction in the water flow.
  - Make all plumbing connections in accordance with local plumbing and building codes.
  - Filter connections are provided with an o-ring seal. To avoid damage to the O-Rings, use only a silicone base lubricant on the O-Rings.
  - DO NOT USE** pipe joint compound, glue or solvent on union coupling nuts.
  - Do not use Teflon® tape or pipe dope on any unions.
  - Keep piping tight and free of leaks. Pump suction line leaks may cause air to be entrapped in filter tank or loss of prime at the pump.
  - Support the inlet/outlet pipes independently to prevent any undue strains on the backwash valve.

### 3.3 Fill the Filter

Jandy high rate sand filters most commonly use sand as a filter medium, or sand over a shallow layer of pea gravel. See Figure 2. The use of filter media other than sand is also described in *Setup* section, *Alternative Filter Media*.

1. Sand density can vary depending on the sand and how much moisture it is carrying. For this reason, consider the sand weights given in Table 1 as approximation only. The free board distance is the most important variable and should be maintained.
  - If pea gravel is used, it will cover the laterals to approximately 1" above the laterals. See Figure 2.
  - All media to be marked as meeting NSF® requirements for sand filters.
  - Sand is to be #20 Silica Sand (.016"-.021").
  - Pea gravel, if used, is to be 1/8" to 1/4" diameter range.
  - Before adding any filter media, ensure the laterals (spokes) are screwed firmly into the hub and that the hub is centered in the tank with the laterals (spokes) horizontal. Check for any broken laterals (spokes) which may have been accidentally damaged by rough handling during shipment. Replace any broken parts if necessary.
2. Fill the filter halfway with water before loading the filter media. See Figure 2.
3. Cover each of the diffusers with a plastic bag.
  - Care must be taken so that filter media does not get into the diffusers.
  - Take care not to dislodge the vent tubing and vent screen. See Figure 7.

**⚠ CAUTION**

To avoid damaging the laterals (spokes), slowly add the filter media until the laterals are fully covered. Cracked or broken laterals (spokes) will cause sand to be discharged to the pool.

**⚠ WARNING**

The automatic vent screen and tubing must be positioned properly to avoid trapping air inside the filter. Trapped air can cause product failure or also cause the filter lid to be blown off, which can result in death, serious personal injury, or property damage.

4. Use a small scoop and pour pea gravel SLOWLY into the filter.
5. Level the surface of the gravel, 1" above laterals.
6. Use a small scoop and pour in the appropriate amount of sand according to the level indicated in Table 1.
7. If using sand only, use a small scoop and pour it into the filter SLOWLY to the level indicated in Table 1.
8. Remove and coverings from the diffusers.
9. Check to ensure the vent tubing is appropriately positioned in the tank. See Figure 6.
10. Using water only, rinse away any sand or dirt particles in the threads in the top of the tank.
11. Ensure diffuser(s) are upright and centered properly.
12. Make sure that the automatic vent tubing is in place (threaded through the diffuser) and the vent screen is installed at the top of the vent tubing. See Figure 7.

**Table 1. Required Sand Level**

Model	Freeboard "F" (Manual to NSF)	Sand Only	Layered Media	
			Sand	Pea Gravel
SFSM60	12.4" 31.5 cm	375 lbs 170.1 kg	300 lbs 136.1 kg	75 lbs 34.0 kg
SFSM100 SFSM100F	15.0" 38.1 cm	625 lbs 283.5 kg	500 lbs 226.8 kg	150 lbs 68.0 kg
SFSM120 SFSM120F	13.5" 34.3 cm	1050 lbs 476.3 kg	875 lbs 396.9 kg	200 lbs 90.7 kg
SFSM140 SFSM140F	16.0" 40.6 cm	1200 lbs 544.3 kg	1075 lbs 487.6 kg	200 lbs 90.7 kg



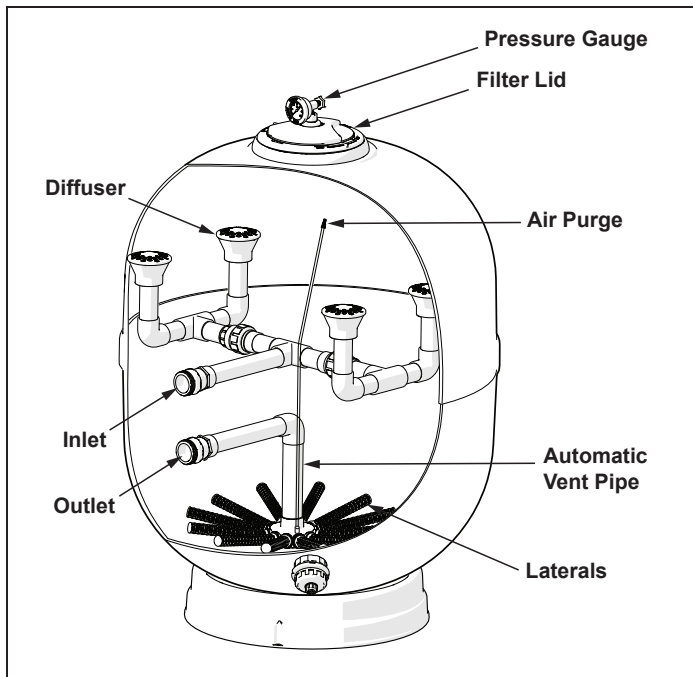


Figure 6. Automatic Air Relief

### 3.3.1 Alternative Filter Media

Jandy SFSM filters are designed to work with any NSF approved filtration media as an alternative to sand. Please follow the media manufacturer’s recommendations for application instructions as well as Jandy’s guidance on freeboard level requirements (see Table 1, *Required Sand Level*). Jandy’s guidance on freeboard level should always be followed.

## 3.4 Install The Filter Lid

<b>⚠ CAUTION</b>
Ensure that the o-ring is completely clean and lubricated with a non-petroleum based lubricant. Before subjecting the filter to pressure, ensure that the handle is revolved as tightly as possible so that a good seal is achieved. See Figure 5.

<b>⚠ WARNING</b>
Follow these instructions carefully. Improper lid installation can cause product failure or also cause the filter lid to be blown off, which can result in death, serious injury, or property damage.

<b>⚠ WARNING</b>
Never attempt to adjust or remove the lid when the pump is running or there is pressure in the system. This can cause product failure or also cause the filter lid to be blown off which can result in death, serious personal injury, or property damage.

<b>⚠ WARNING</b>
Inspect the lid and tank for any damage before installing the lid. A damaged lid or tank could cause the lid to be blown off which can result in death, serious personal injury, or property damage.

### 3.4.1 Removing Filter Lid

1. Turn the hand wheel (A) in a counterclockwise direction until it becomes loose. See Figure 7.
2. Press down on the hand wheel firmly to release the O-Ring. See Figure 8
3. Before removing the lid, turn it 15° in a counterclockwise direction (B) See Figure 7. Lift the whole lid by the hand wheel.

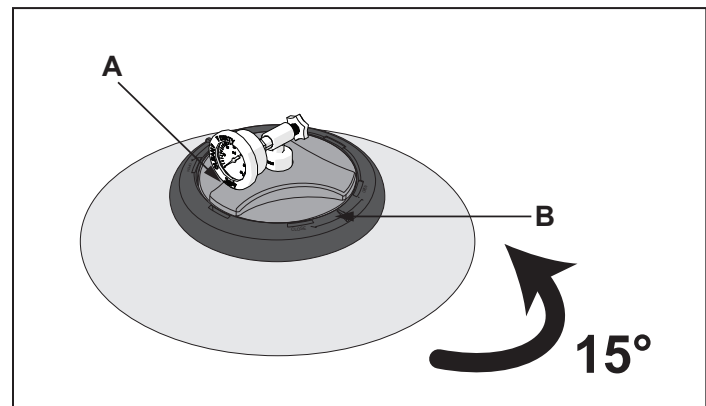


Figure 7. Loosen Hand Wheel

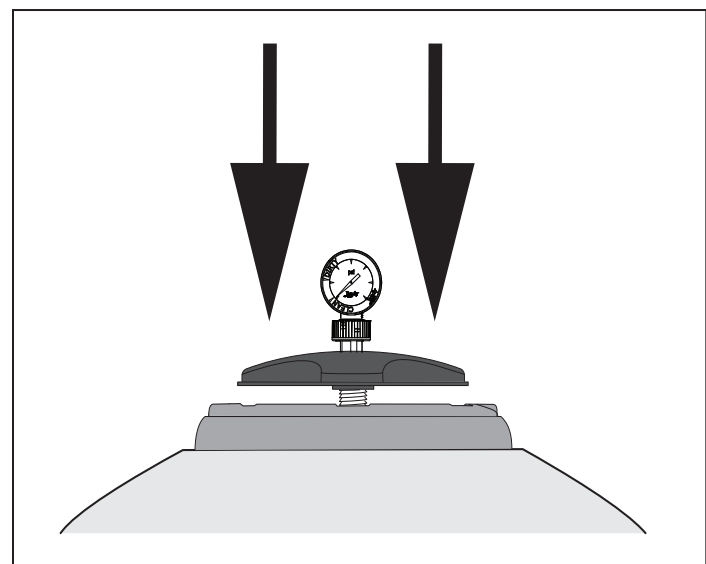


Figure 8. Tap to Release O-Ring

### 3.4.2 Replacing Filter Lid

1. Start with the lid completely off the filter to ensure the O-Ring is uncompressed. Fig 9
2. Insert the lid into the filter until it drops home. Turn the lid 15° clockwise (A), then turn the hand wheel (B) as far as it will go clockwise. Fig. 10

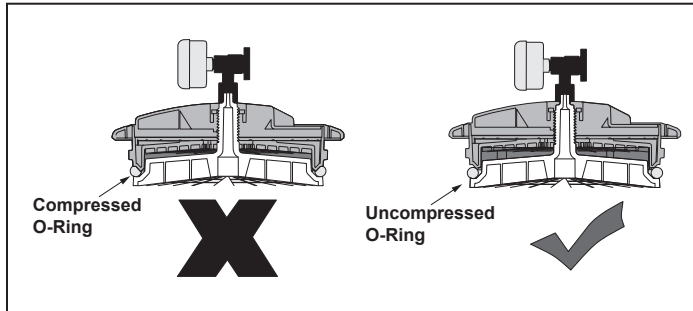


Figure 9. Ensure O-Ring is Uncompressed

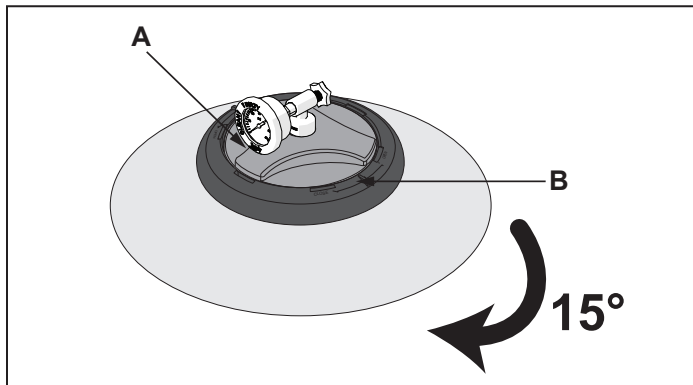


Figure 10. Tighten Lid (A) Then Hand Wheel (B)

## Section 4. Startup And Operation

### 4.1 Startup

This section applies to new pools and seasonal start ups.

<b>⚠ WARNING</b>
NEVER attempt to assemble, disassemble or adjust the filter when there is pressurized air in the system. Starting the pump while there is any pressurized air in the system can cause product failure or also cause the filter lid to be blown off, which can cause death, serious personal injury or property damage.
<b>⚠ WARNING</b>
NEVER start pump while standing within 5 feet of the filter. Starting the pump while there is pressurized air in the system can cause product failure or also cause the filter lid to be blown off, which can cause death, serious personal injury or property damage.

1. Make sure pool is cleaned before filling with water to avoid component damage from excessive debris and dirt particles.
  - If the pool is new concrete, gunite or has a lot of debris or plaster dust which may be difficult to remove; it is recommended that the filter be run in filtration “FILTER” mode for 48 hours before performing the backwash procedure described below.
2. Turn off the pump at the circuit breaker.
3. Check that the drain plug is in place and tight.
4. Check that the lid is correctly seated and tight. See Figure 5.
  - Ensure the pressure gauge/release valve assembly is fully installed in the lid.
5. Ensure the backwash piping is open.
6. Set backwash valve to the “Backwash” position.
  - If a multiport valve is used, set handle to the “Backwash” position indicated on the dial.
  - If a slide valve is used, push the handle down to the backwash position and turn the handle to lock it in place.
  - For details please review the manufacturers instruction manual for your backwash valve.
7. Restore power to the pump at the breaker.
8. If the pump does not immediately prime, the following steps can be taken to achieve prime.
  - If necessary open the pump basket lid.
  - Fill the pump basket with water to prime the system.
  - Replace the lid. (You may have to do this several times on new and seasonal start-ups.)
  - If the pump is located below the water level of the pool, you can open the filter pressure release valve to prime the pump with water.
  - If the pump is located above the water level, remove the lid and fill the basket with water before starting the pump.
  - Prior to replacing the pump lid, check for debris around the lid O-Ring seat. Debris around the lid O-Ring seat will cause air to leak into the system, and make it difficult to prime the pump.



- Hand-tighten the lid to make an air tight seal.
  - Do not use any tools to tighten the lid.
  - Ensure that the lid is secure.
  - Ensure that all isolation valves are open.
  - Ensure that the unions are tight.
9. Open the air release valve by turning the thumbscrew on the back of the pressure gauge housing counterclockwise.
    - Do not remove the thumbscrew. See Figure 5.
  10. Stand clear of the filter and turn the filter pump on.
  11. Once the filter pump is primed and begins filling the filter. The vent hole on the pressure gauge will expel air.
    - If the vent hole does not expel air, turn off the filter pump.
    - Double check that all isolation valves are open.
    - Check to ensure that the filter pump has successfully primed and is filling the filter with water.
    - Double check that the release valve thumbscrew has been loosened
  12. Air venting is complete when a steady stream of water is being produced at the vent hole.
  13. You should also see a steady flow of water being discharged from the “waste” drain line.
  14. Close the air release valve by turning the thumbscrew on the back of the pressure gauge housing clockwise until the flow of water from the vent hole stops.
  15. Run the filter using the backwash setting on your backwash valve for at least 3 to 5 minutes or until water runs clear.

## 4.2 Operation

This filter operates with a variety of backwash valves. The operational procedures described below attempt to cover use of the most common backwash valves. However, it is always recommended that you consult the manual for the backwash valve you are using on the filter.

### CAUTION

To prevent the possibility of personal injury and equipment damage, always turn the pump off before changing the position of a backwash valve.

### WARNING

NEVER operate the filter system at more than 50 psi of pressure. Operating filter system in excess of 50 psi can cause product failure or also cause the filter lid to be blown off, which can cause death, serious personal injury or property damage.

### WARNING

DO NOT operate filter at water temperatures above 104° F (40° C). Water temperatures above the manufacturer’s recommendations will shorten the life span of the filter and may void the warranty.

Always turn off the filter pump any time you are making adjustments to the backwash valve.

1. Continue the initial backwash until the backwash water is clear (3 to 5 minutes).
  - See Step 1 in *Startup and Operation* section, *Startup* if the pool is new or contains significant hard to remove particulates such as plaster dust.
2. Turn the pump off.
3. If you are using a multiport backwash valve that has a “Rinse” position do the following:
  - Set the selector handle to the “Rinse” position.
  - Start the pump.
  - Run for 30 to 40 seconds. This helps settle the sand bed and removes fine particles.
  - Turn the pump off.
4. Set backwash valve to normal operation position.
  - If a multiport valve is used, set handle to the “Filter” position Indicated on the dial.
  - If a slide valve is used, pull the handle up to the filter position and turn the handle to lock it in place.
  - Make certain all inlet and return lines to the pool are open to allow free movement of water.

- Open the air release valve by turning the thumbscrew on the back of the pressure gauge housing counterclockwise. Do not remove the thumbscrew. See Figure 5.
5. Follow steps 10-14 from *Startup and Operation* section, *Startup*.
  6. After the pressure gauge has stabilized, turn the gauge ring so that the arrow next to the word “clean” aligns with the needle of the gauge.
    - Record this initial “CLEAN” pressure. This reference will be necessary in the future.
    - As the filter cleans the water and the sand begins to clog, the pressure will increase.
    - The ring indicates an increased pressure of between 10 and 12 psi above original starting pressure.
    - When the needle of the pressure gauge aligns with the arrow next to the word “dirty”, it is time to clean the filter.
    - Ensure pump speed remains the same when recording "CLEAN" and "DIRTY" pressure.
  3. Set the backwash valve to the “Backwash” position.
    - If a multiport valve is used, set handle to the “Backwash” position indicated on the dial.
    - If a slide valve is used, push the handle down to the backwash position and turn the handle to lock it in place.
  4. Stand clear of the filter and start the pump.
  5. Backwash the filter for 3 to 5 minutes or until water runs clear.
  6. Turn the pump off.
  7. If the multiport valve has a “Rinse” position do the following:
    - Set the selector handle in “Rinse” position.
    - Run for one minute. This helps settle the sand bed.
    - Stop the pump.
  8. Set backwash valve to normal operation position.
    - If a multiport valve is used, set handle to the “Filter” position Indicated on the dial.
    - If a slide valve is used, pull the handle up to the filter position and turn the handle to lock it in place.
    - Make certain all inlet and return lines to the pool are open to allow free movement of water.
    - Open the air release valve by turning the thumbscrew on the back of the pressure gauge housing counterclockwise. Do not remove the thumbscrew. See Figure 5.

#### 4.2.1 Filter Cleaning

After 48 hours of operation on a new pool, the filter should be backwashed to clear out plaster dust and debris from the pool construction. It is not recommended to backwash the filter on a timed basis, e.g. once a month. Pool, weather, dust conditions and pool occupancy all affect the frequency of the need to backwash.

Backwashing a filter too often will actually diminish the filter performance by limiting its ability to catch finer particles. Do not run your system 24 hours a day, day after day. Allowing the filter to stop periodically will allow slight disturbance of the “mud-deck” at the surface of the sand bed. This will lower the running pressure slightly after rest.

Backwashing your filter is required when the pressure gauge reading shows an increase of 10 to 12 psi above the “CLEAN” filter pressure. Another indicator of the need to backwash is when the flow back to the pool is reduced by 30% compared to the clean filter flow amount.

1. Turn the pump off.
2. Ensure suction piping and backwash piping is open to ensure unobstructed flow through the filter and backwash line.

## 4.2.2 Chemical Cleaning Procedure

Sand filter chemical cleaners remove oils, deposits and rust from the sand bed with a 12 hour overnight soaking when used according to the following instruction. Follow these instructions carefully. Do not allow the cleaning solution to be pumped back into the pool.

1. Use an approved cleaner for sand filters.
  - Approved cleaners should be available through your pool chemical retail store, or pool maintenance service or supplier.
2. If necessary, mix the proper solution per the manufacturer's label instructions.
3. Perform the backwash procedure as described in *Filter Cleaning* section.
4. Shut the pump off.
5. If the filter is installed below the pool water level, close the appropriate isolation valve(s) to prevent the pool from draining.
6. Drain the water from the filter. (See next section.)
7. After filter has drained, replace cap on drain fitting.
8. Place the backwash valve in "Backwash" position.
  - Make certain backwash lines are open.
9. Introduce cleaner to the water system.
  - Follow all appropriate use and safety instructions from the filter cleaner manufacturer.
10. Follow steps 9-13 from *Startup and Operation* section, *Startup*, to fill the filter tank.
11. Turn off the pump.
12. Leave the filter valve in the "Backwash" position.
  - Use caution not to introduce cleaning solution in the main body of pool water.
13. Disconnect the power at the breaker.
14. Allow the filter to stand for 12 hours.
15. After 12 hour soak, turn on the power breaker and follow instructions in *Filter Cleaning* section.

After chemical cleaning, your filter should return very close to the original "Clean" pressure reading on the filter pressure gauge that was noted at the time of the original installation with fresh sand. If not, note this

new "Clean" pressure reading for future reference.

Turn the ring on the filter gauge assembly so that the arrow next to the word "Clean" is aligned with the needle.

## 4.3 Draining the Filter and Removing the Filter Sand

For maintenance or repair it may be necessary to drain water from the filter or completely remove all the sand from the filter. The filter drain will allow for both water removal and the flushing of sand.

Any additional piping installed at the water drain must be removable in order to facilitate the further removal of drain components. Allow sufficient space for the flushing of sand from the filter. See Figure 11.

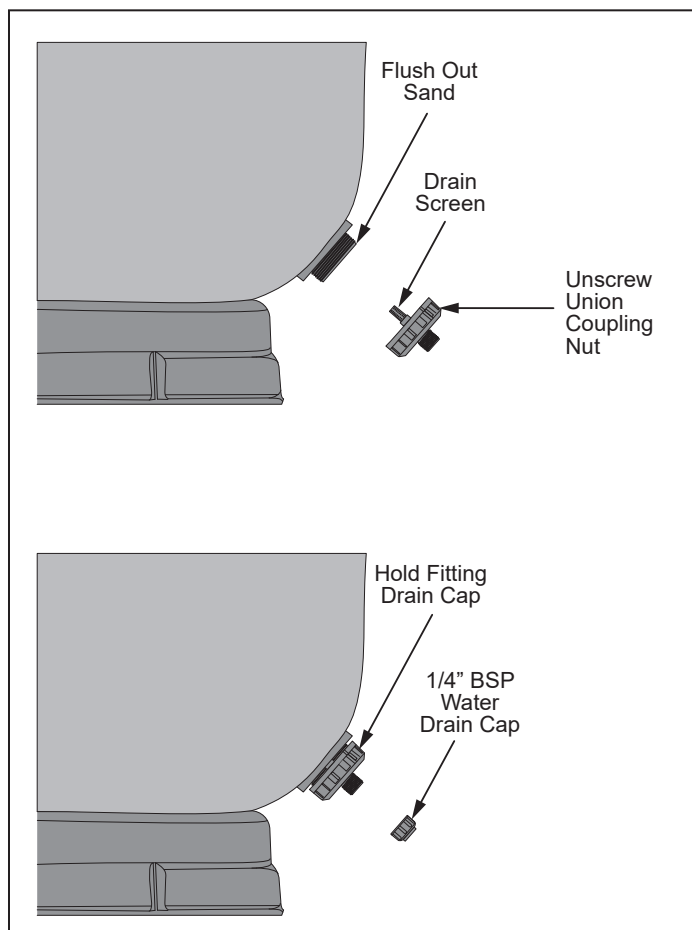
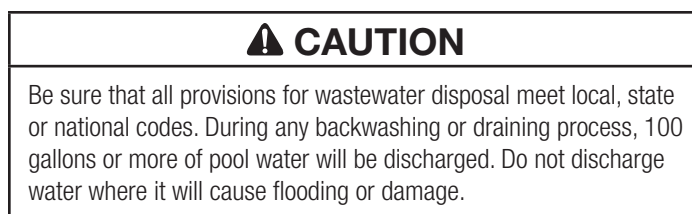


Figure 11. Drain Valve

### 4.3.1 Drain The Filter

1. Shut the pump off.
2. If the filter is installed below the pool water level, close the appropriate isolation valve(s) to prevent the pool from draining.
3. Loosen and remove the drain cap.
  - Use caution not to misplace the drain plug.
4. Allow the filter to drain out as much water as needed.
5. Replace the plug and cap.

### 4.3.2 Remove the Filter Sand

1. Follow the draining procedure described in the *Drain the Filter* section.
2. Remove the filter lid.
  - Before attempting to loosen or remove the lid, turn OFF the pump and OPEN the air release valve on top of the filter.
  - DO NOT attempt to loosen or remove the lid while the pump is running or if the filter pressure gauge indicates there is pressure in the filter.
  - First, try to remove the lid by hand using the handles.
  - If removal by hand is not successful, use a mallet or soft-faced hammer to alternately strike the handles to loosen the lid.
  - Use caution not to damage the lid O-Ring or the pressure gauge assembly.
3. Using a scoop reach into the filter and remove as much sand as possible.
  - Use caution not to get sand into the diffusers.
  - The diffusers can be covered with a plastic bag to help avoid sand intrusion.
4. If available use a wet/dry vacuum to remove as much of the remaining sand as possible.
5. Loosen and remove the universal coupling nut.
6. Carefully draw out the drain screen.
7. Use caution not to misplace the O-Ring.
8. Use water to flush remaining filter media from the filter tank.

- The larger tank drain is a universal union fitting. Sand removal is easiest without further restriction at this fitting. However, if a short piece of piping is desired to direct the sand being flushed away from the filter base, a universal tailpiece and union nut can be used. See Figure 11.

## Section 5. Maintenance

### 5.1 General Maintenance

- The outside of the filter can be cleaned with a mild detergent and water. Rinse with water.
- Do not use strong cleansers or solvents to clean the filter, solvents will damage the plastic components of the filter.
- Check pressure during operation at least once a week.
- Check for and remove any debris from the skimmer basket and strainer basket on pump regularly.
- Check pump and filter for any leaks. If any leaks develop, turn off the pump and call a qualified pool service technician.
- Product safety signs or labels should be periodically inspected and cleaned by the product user as necessary to maintain good legibility from a safe viewing distance.
- Product safety signs or labels should be replaced by the product user when a person with normal vision, including corrected vision, is no longer able to read the safety signs or label message panel text at a safe viewing distance from the hazard.
- In cases where the product has an extensive expected life or is exposed to extreme conditions, the product user should contact either the product manufacturer or some other source to determine means for obtaining replacement signs or labels.
- Installation of new replacement safety signs or labels should be in accordance with the sign or label manufacturer's recommended procedure.

## 5.2 Pressure Gauge

- During operation of the filtration system, check the pressure gauge/air release assembly for air or water leaks at least once a week.
- Keep the pressure gauge in good working order. If you suspect a problem with the gauge, Jandy® recommends you call a qualified service technician to do any work on the filter/pump system.

## 5.3 Winterizing

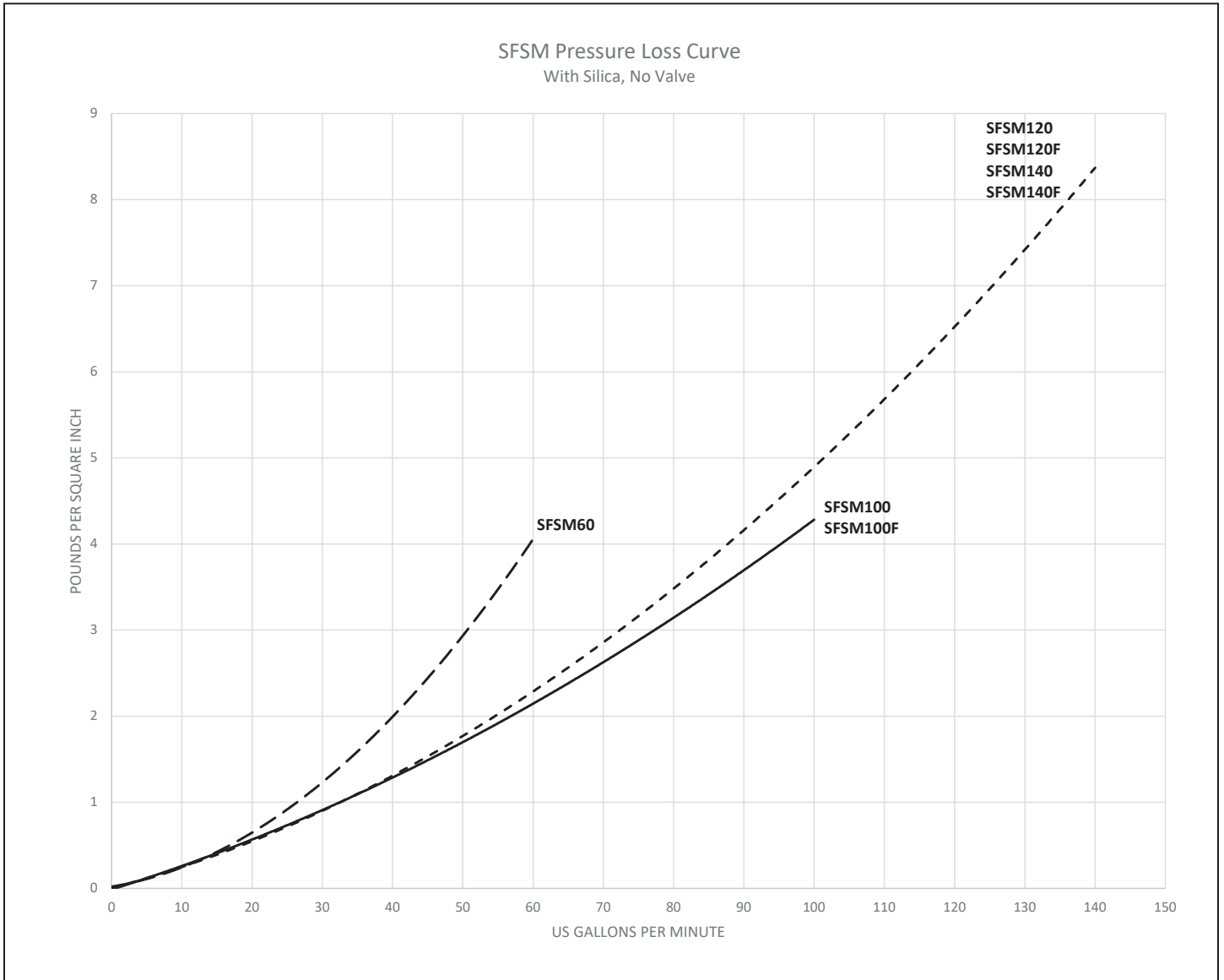
1. Backwash the filter. See *Filter Cleaning* section.
2. Turn OFF the pump at the circuit breakers.
3. Open the air release valve on top of the filter.
4. Remove the drain cap at the base of the filter to ensure that the tank is empty. Store the drain cap and seal in a safe place. Do not reinstall until next season at start-up.
5. Drain system piping of all water.
  - If using a multiport backwash valve that has a “Winterize” position, move selector lever to that position. The “Winterize” position which leaves all ports partially open, and on some backwash valves also moves the seal to a relaxed position.
6. Cover the system with a tarpaulin or plastic sheet to protect it from the weather. Do not wrap electrical motors in plastic.

## Section 6. Troubleshooting

- For a list of common problems and solutions see the Troubleshooting Guide.
- Jandy recommends that you call a qualified service technician to do any work on the filter/pump system.
- To locate a service company near you, please visit [Jandy.com](http://Jandy.com). For technical support, please call 800-822-7933 or email [productsupport@Jandy.com](mailto:productsupport@Jandy.com).

## Section 7. Performance

Table 2. Jandy SFSM Series Filters Pressure Loss Curve

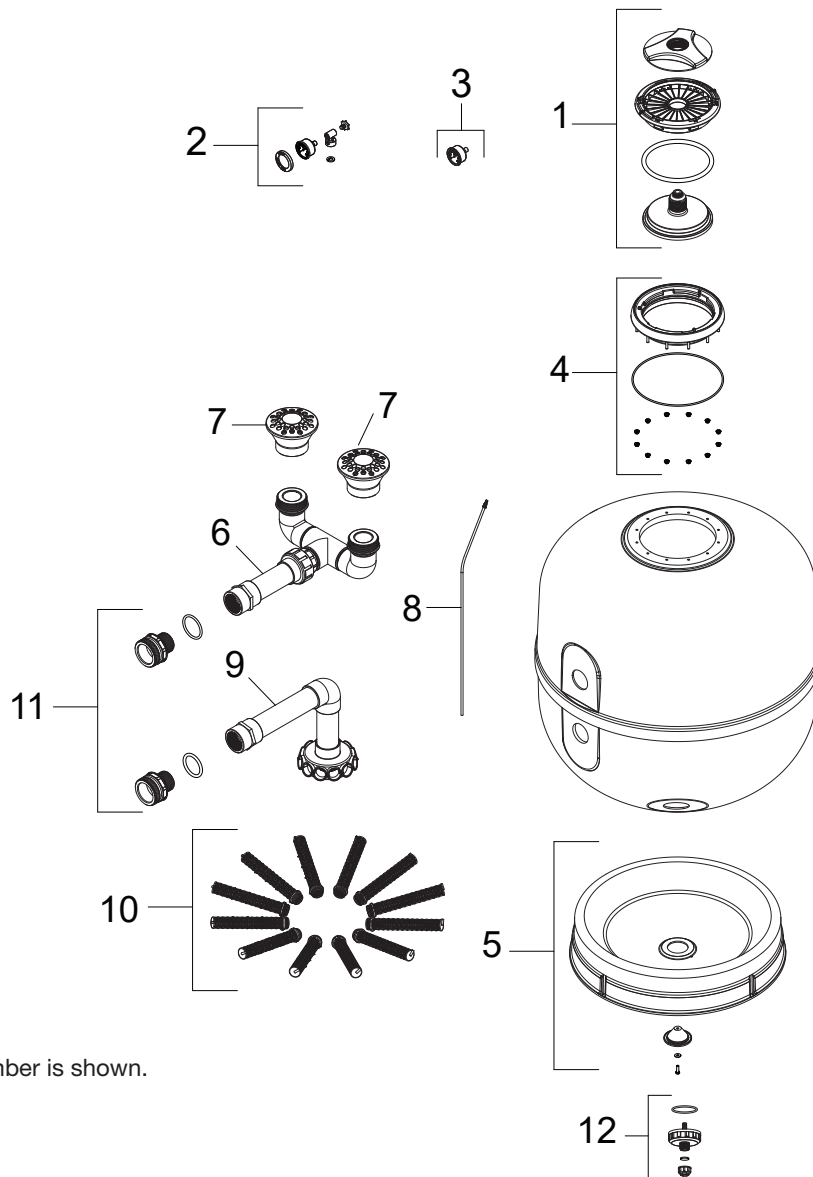


## Section 8. Product Specifications and Technical Data

For a complete list of replacement parts, please visit [www.Jandy.com](http://www.Jandy.com) or contact Technical Support at 1.800.822.7933 or email [productsupport@fluidra.com](mailto:productsupport@fluidra.com)  
 In Canada, please call 1.888.647.4004 or email [service.canada@fluidra.com](mailto:service.canada@fluidra.com)

### 8.1 Exploded Views

- |                                   |  |
|-----------------------------------|--|
| 1. Lid Assembly                   | 7. Diffuser                                  |
| 2. Gauge and Air Release Assembly | 8. Breather Tube Assembly                    |
| 3. Pressure Gauge                 | 9. Outlet Plumbing                           |
| 4. Lock Ring with Hardware        | 10. Laterals                                 |
| 5. Filter Base                    | 11. Bulkhead Fitting with O-Rings and Unions |
| 6. Inlet Plumbing                 | 12. Drain Cap                                |



**NOTE:** SF5M100 model number is shown.

**Figure 12. SF5M Filter Exploded View (Models may differ slightly from illustration)**

**Zodiac Pool Systems LLC**

2882 Whiptail Loop # 100  
Carlsbad, CA 92010, USA  
Jandy.com | 1.800.822.7933

**Zodiac Pool Systems Canada, Inc.**

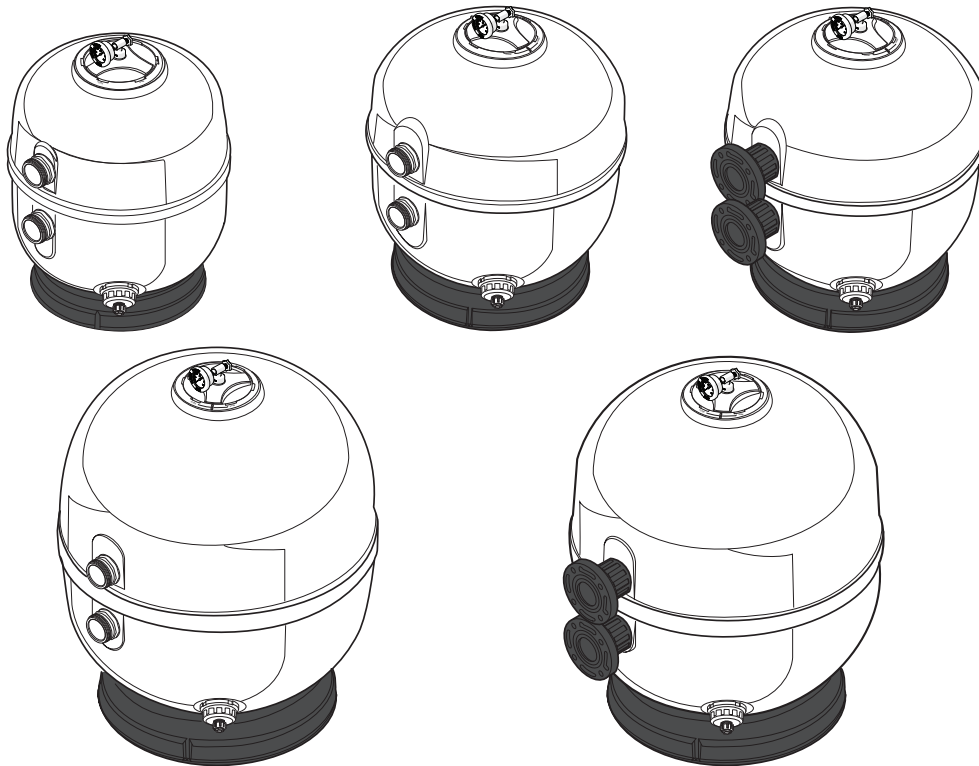
2-3365 Mainway  
Burlington, ON L7M 1A6, Canada  
Jandy.ca | 1.800.822.7933

**A Fluidra Brand**

©2022 Zodiac Pool Systems LLC. All rights reserved. ZODIAC® is a registered trademark of Zodiac International, S.A.S.U., used under license. All other trademarks are the property of their respective owners.  
28342S4E200\_REVD







## Filtre à sable

Modèles : SFSM60, SFSM100, SFSM120, SFSM140, SFSM100F, SFSM120F, SFSM140F

### **⚠ AVERTISSEMENT**

POUR VOTRE SÉCURITÉ : Ce produit doit être installé et entretenu par un entrepreneur qualifié en équipements de piscine disposant d'un permis délivré par la juridiction dans laquelle le produit est installé lorsque de telles exigences étatiques ou locales existent. L'agent d'entretien doit être un professionnel disposant de suffisamment d'expérience dans l'installation et l'entretien de l'équipement de piscine, afin de s'assurer que toutes les directives du présent manuel sont scrupuleusement respectées. Avant d'installer ce produit, lire et suivre tous les avertissements et toutes les directives qui accompagnent ce produit. Tout non-respect des instructions d'avertissement peut entraîner des dommages matériels, des blessures corporelles ou même la mort. Une mauvaise installation ou utilisation annule la garantie.



Une mauvaise installation ou utilisation peut engendrer un danger électrique pouvant entraîner des dommages matériels ou des blessures graves, voire mortelles.

À L'ATTENTION DE L'INSTALLATEUR : Le présent manuel contient des informations importantes sur l'installation, le fonctionnement et l'utilisation sécuritaire de ce produit. Ces informations doivent être transmises au propriétaire ou à l'utilisateur de cet équipement.

## Table des matières

<b>Section 1. Consignes de sécurité importantes .....</b>	<b>23</b>	<b>Section 4. Démarrage et fonctionnement .....</b>	<b>32</b>
1.1 Consignes générales de sécurité.....	23	4.1 Démarrage.....	32
<b>Section 2. Pour commencer .....</b>	<b>24</b>	4.2 Fonctionnement .....	33
2.1 Contenu de l'emballage .....	24	4.3 Vidange du filtre et retrait du sable de filtration.....	35
2.2 Compatibilité de la vanne Jandy®.....	24	<b>Section 5. Entretien .....</b>	<b>36</b>
2.3 Outils/Équipement requis.....	24	5.1 Entretien général .....	36
2.4 Spécifications et dimensions .....	25	5.2 Manomètre .....	37
2.5 Fonction .....	26	5.3 Hivernage .....	37
2.6 Emplacement de l'équipement .....	26	<b>Section 6. Dépannage .....</b>	<b>37</b>
<b>Section 3. Configuration .....</b>	<b>28</b>	<b>Section 7. Performance.....</b>	<b>38</b>
3.1 Installer le manomètre.....	28	<b>Section 8. Spécifications du produit et données techniques.....</b>	<b>39</b>
3.2 Tuyauterie.....	29	8.1 Vues éclatées .....	39
3.3 Remplir le filtre .....	29		
3.4 Installer le couvercle du filtre.....	31		

### CONSERVER CES DIRECTIVES

#### ENREGISTREMENT DES INFORMATIONS RELATIVES À L'ÉQUIPEMENT

DATE DE L'INSTALLATION \_\_\_\_\_

COORDONNÉES DE L'INSTALLATEUR \_\_\_\_\_

PREMIÈRE LECTURE DU MANOMÈTRE DE PRESSION (AVEC FILTRE TRANSPARENT) \_\_\_\_\_

MODÈLE DE LA POMPE \_\_\_\_\_ HP \_\_\_\_\_

NOTES : \_\_\_\_\_

\_\_\_\_\_

\_\_\_\_\_

## Section 1. Consignes de sécurité importantes

### LIRE ET SUIVRE TOUTES LES DIRECTIVES

#### 1.1 Consignes générales de sécurité

#### AVERTISSEMENT

**LA PRESSION DE FONCTIONNEMENT MAXIMALE DU FILTRE EST DE 3,45 BAR (50 PSI).**

**NE JAMAIS SOUMETTRE LE FILTRE À UNE PRESSION DE FONCTIONNEMENT SUPÉRIEURE À 50 lb/po<sup>2</sup>.**

- Ne pas raccorder le système à un réseau municipal d'approvisionnement en eau non régulé ni à aucune autre source externe d'eau sous pression produisant des pressions supérieures à 2,41 BAR (35 lb-po<sup>2</sup>).
- Ce filtre fonctionne sous haute pression. Lors de l'entretien d'une quelconque partie du système de circulation, à savoir, un filtre, une pompe, une vanne, etc., de l'air peut pénétrer dans le système et devenir pressurisé au redémarrage du système.
- La présence d'air sous pression dans un système peut provoquer une panne ou le soufflage du couvercle de filtre, ce qui peut entraîner des dommages matériels, des blessures graves ou la mort. S'assurer que tout l'air a quitté le système avant d'utiliser l'équipement.
- Pour réduire le risque de blessures graves ou de mort, le filtre ou la pompe ne doivent pas être soumis à un test de pressurisation de la tuyauterie. Les codes locaux peuvent exiger l'application d'un test de mise sous pression au niveau de la tuyauterie de la piscine. Généralement, ces exigences ne sont pas conçues pour être appliquées à l'équipement de piscine, comme les filtres ou les pompes. L'équipement de piscine Jandy est soumis à des tests de mise sous pression en usine. Si toutefois cet **AVERTISSEMENT** ne peut pas être respecté et que le test de mise sous pression du système de tuyauterie doit inclure le filtre ou la pompe, **S'ASSURER DE RESPECTER LES CONSIGNES DE SÉCURITÉ SUIVANTES.**
- Vérifier les serre-joints, les boulons, les couvercles, les dispositifs de verrouillage et les accessoires du système pour s'assurer qu'ils sont correctement installés et solidement fixés avant d'effectuer un test.
- LIBÉRER TOUT L'AIR présent dans le système avant le test.
- La pression de l'eau pendant le test NE DOIT PAS DÉPASSER 2,41 BAR (35 lb-po<sup>2</sup>).
- La température de l'eau pour le test NE DOIT PAS DÉPASSER 38 °C (100 °F).
- Limiter la durée du test à 24 heures. Après le test, vérifier visuellement le système pour s'assurer qu'il est prêt à fonctionner.

**AVIS :** Ces paramètres s'appliquent uniquement à l'équipement Jandy. Pour tout équipement d'une autre marque que Jandy, consulter le fabricant.

#### AVERTISSEMENT

**Pour éviter tout risque de choc électrique pouvant entraîner des blessures graves ou la mort :**

- S'assurer que tous les dispositifs électriques du système sont éteints avant d'approcher, d'inspecter ou de dépanner des vannes ou des tuyaux qui pourraient avoir projeté de l'eau sur d'autres appareils électriques aux alentours.
- L'eau évacuée d'un filtre ou d'une vanne mal positionné(e) peut créer un risque de choc électrique pouvant entraîner des dommages matériels, des blessures graves ou la mort.
- Une mauvaise installation de la vanne à actionneur peut causer une défaillance du produit ou provoquer le soufflage de l'actionneur du filtre, ce qui peut entraîner des dommages matériels, des blessures graves ou la mort.
- Ne jamais essayer de régler ou de retirer la vanne à actionneur pendant que la pompe est en fonctionnement ou que le système est sous pression. Cela peut provoquer une panne du produit ou entraîner le soufflage de l'actionneur du filtre, ce qui peut entraîner des dommages matériels, des blessures graves ou la mort.

#### MISE EN GARDE

- Maintenir le manomètre en bon état de fonctionnement. Le manomètre est le principal indicateur de l'état de fonctionnement du filtre.
- La création d'importants niveaux de vide peut provoquer des fissures et des fuites dans le réservoir, ce qui peut entraîner des dommages matériels.
- S'assurer que toutes les dispositions relatives à l'élimination des eaux usées respectent les codes locaux, provinciaux ou nationaux. Pendant toute procédure de lavage à contre-courant ou de vidange, 380 litres (100 gallons) d'eau minimum seront évacués. Ne pas évacuer l'eau dans des endroits où elle risque de causer des inondations ou des dommages.
- Pour éviter d'endommager les embranchements (ailettes), ajouter lentement le matériau de filtration jusqu'à en recouvrir entièrement les embranchements. Consulter le Manuel d'installation et de fonctionnement pour obtenir des instructions sur le remplissage de sable. Des embranchements (ailettes) fissurés ou brisés entraîneront le déversement de sable dans la piscine.

#### MISE EN GARDE

- Cet équipement ne doit être utilisé que dans une piscine ou un spa.
- Avant tout repositionnement de vanne(s) et tout assemblage, démontage, retrait ou réglage du couvercle, ou toute autre opération d'entretien du système de circulation : (A) arrêter la pompe et toutes les commandes automatiques pour s'assurer que le système ne sera pas démarré par inadvertance pendant l'entretien (B) ouvrir la soupape de décharge d'air. (C) attendre que toute la pression soit libérée (l'air cesse de s'échapper de la soupape de décharge d'air).
- Lors de l'installation du couvercle de filtre fileté, suivre les instructions à la *Section de configuration, Installer le couvercle du filtre* dans ce manuel.
- Une fois l'entretien du système de circulation terminé, suivre les instructions dans la *Section Démarrage et fonctionnement* du présent manuel.
- Entretien correctement le système de circulation. Remplacer immédiatement chaque pièce usée ou endommagée.
- S'assurer que le filtre est monté et positionné conformément à ces instructions d'installation.
- Ne pas effectuer de test de pression au-delà de 2.41 BAR (35 PSI). Le test de pression doit être exécuté par un spécialiste en équipements de piscine. Cet équipement ne doit être utilisé que dans une piscine ou un spa.

## Section 2. Pour commencer

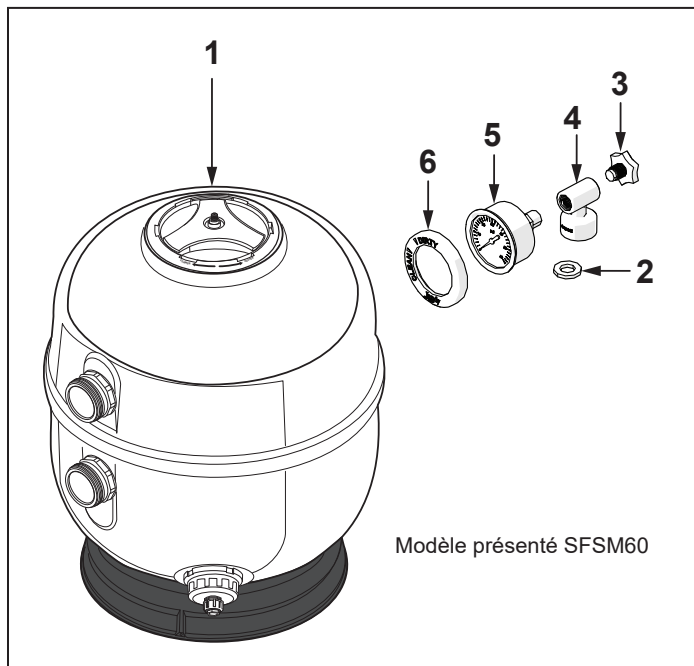
### 2.1 Contenu de l'emballage

Déballer et vérifier le contenu. Si une pièce manque ou est endommagée, veuillez contacter le Service client au 1-800-822-7933 ou à l'adresse [productsupport@fluidra.com](mailto:productsupport@fluidra.com).

Article	Description	Qté
1*	Réservoir + Couvercle du filtre	1
2	Joint d'étanchéité	1
3	Bouchon d'évent	1
4	Raccord en T	1
5	Manomètre	1
6	Circlip de blocage propre/sale	1

\* Les joints toriques sont installés en usine. Examiner le joint torique avec soin pour s'assurer qu'il est correctement installé et fixé avant l'installation.

\*\*Le réservoir de filtre est livré assemblé avec les éléments internes des embranchements et des diffuseurs. Aucun assemblage interne n'est requis.



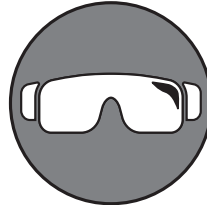
### 2.2 Compatibilité de la vanne Jandy®

Les filtres Jandy SFSM requièrent une vanne de lavage à contre-courant compatible. Voir le tableau ci-dessous.

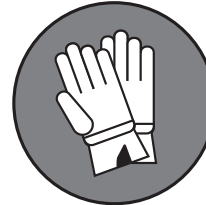
Type de vanne	Référence
Soupape à voies multiples	BWVL-MPV-75
Robinet à tiroir	BWVL-SLD-75
Vanne sans lubrification Never Lube <sup>MD</sup>	BWVL-NVL-75

### 2.3 Outils/Équipement requis

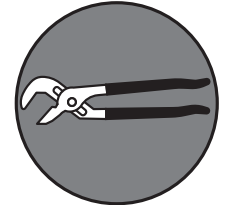
Les équipements suivants devront être mis à disposition de l'installateur au moment de l'installation. Le fait de ne pas utiliser les équipements de sécurité et les installations appropriés pourrait entraîner des blessures ou des dommages matériels.



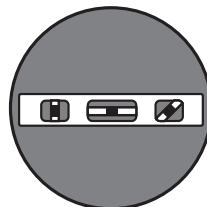
Lunettes de sécurité



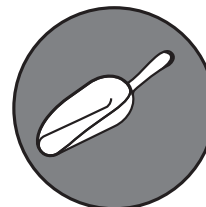
Gants



Pince multiprise



Niveau



Pelle



Colle pour tuyaux en PVC

## 2.4 Spécifications et dimensions

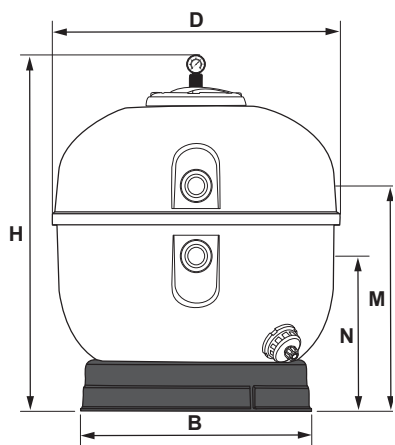
### 2.4.1 Spécifications

Spécification	SFSM60		SFSM100 SFSM100F		SFSM120 SFSM120F		SFSM140 SFSM140F	
	pi <sup>2</sup>	m <sup>2</sup>	pi <sup>2</sup>	m <sup>2</sup>	pi <sup>2</sup>	m <sup>2</sup>	pi <sup>2</sup>	m <sup>2</sup>
<b>Zone de filtration</b>	3,15	0,29	5,00	0,46	5,90	0,55	7,06	0,65
<b>Débit max</b>	gpm	lpm	gpm	lpm	gpm	lpm	gpm	lpm
	63	238	100	375	118	447	141	533
<b>Débit de filtration max</b>	20 gpm/pi <sup>2</sup> (815 l/min/m <sup>2</sup> )							
<b>Débit min. de lavage à contre-courant</b>	gpm	lpm	gpm	lpm	gpm	lpm	gpm	lpm
	47	177	75	284	88	335	105	397
<b>Pression de service max.</b>	psi	bar	psi	bar	psi	bar	psi	bar
	50	3,4	50	3,4	50	3,4	50	3,4
<b>Capacité sur six heures</b>	gal	L	gal	L	gal	L	gal	L
	22 680	85 680	36 000	135 000	42 480	160 920	50 760	191 880
<b>Pression normale de démarrage</b>	psi	bar	psi	bar	psi	bar	psi	bar
	5 à 15	0,3 à 1	5 à 15	0,3 à 1	5 à 15	0,3 à 1	5 à 15	0,3 à 1

### 2.4.2 Dimensions

	SFSM60	SFSM100	SFSM100F	SFSM120	SFSM120F	SFSM140	SFSM140F
<b>Dim « H »</b>	34 po (86,3 cm)	41 po (104,1 cm)	41 po (104,1 cm)	47 po (119,4 cm)	47 po (119,4 cm)	49,7 po (126,2 cm)	49,7 po (126,2 cm)
<b>Dim « D »</b>	26,0 po (66,0 cm)	32,5 po (82,6 cm)	32,5 po (82,6 cm)	35,5 po (90,2 cm)	35,5 po (90,2 cm)	37,5 po (95,3 cm)	37,5 po (95,3 cm)
<b>Dim « N »</b>	13,625 po (34,6 cm)	16,5 po (41,9 cm)	16,05 po (40,7 cm)	18,75 po (47,3 cm)	18,6 po (47 cm)	18,75 po (47,26 cm)	18,6 po (47 cm)
<b>Dim « M »</b>	21,12 po (53,6 cm)	24 po (61 cm)	23,77 po (60,3 cm)	26,41 po (67 cm)	26,41 po (67 cm)	26,41 po (67 cm)	26,41 po (67 cm)
<b>Dim « B »</b>	19,29 po (49 cm)	24,6 po (62,5 cm)	24,6 po (62,5 cm)	27,75 po (70,5 cm)	27,75 po (70,5 cm)	27,75 po (70,5 cm)	27,75 po (70,5 cm)
<b>Poids (vide)</b>	70 lb (31,8 kg)	75 lb (34,0 kg)	80 lb (36,3 kg)	143 lb (65 kg)	147 lb (67 kg)	147 lb (67 kg)	150 lb (68 kg)

Figure 1. Dimensions du filtre



## 2.5 Fonction

Les filtres à sable haut débit de Jandy font passer l'eau non filtrée (sale) à travers du sable, ou du sable par-dessus une couche peu profonde de gravier fin. L'eau pénètre dans le filtre au niveau de l'admission. L'eau non filtrée est ensuite acheminée dans le(s) diffuseur(s) puis traverse le support filtrant. Les particules plus grosses se déposent à la surface du lit de sable, tandis que les particules plus fines sont capturées dans les espaces entre les grains de sable. L'eau filtrée (propre) est ensuite réacheminée dans la piscine par les embranchements.

Au fil du temps, la saleté et les particules recueillies dans le filtre rendent le passage de l'eau plus difficile, entraînant une augmentation de la pression de fonctionnement du filtre. Lorsque cela se produit, il devient nécessaire d'exécuter une procédure de lavage à contre-courant.

**N'oubliez pas de remplir le filtre jusqu'à moitié avec de l'eau avant de charger le matériau de filtration.**

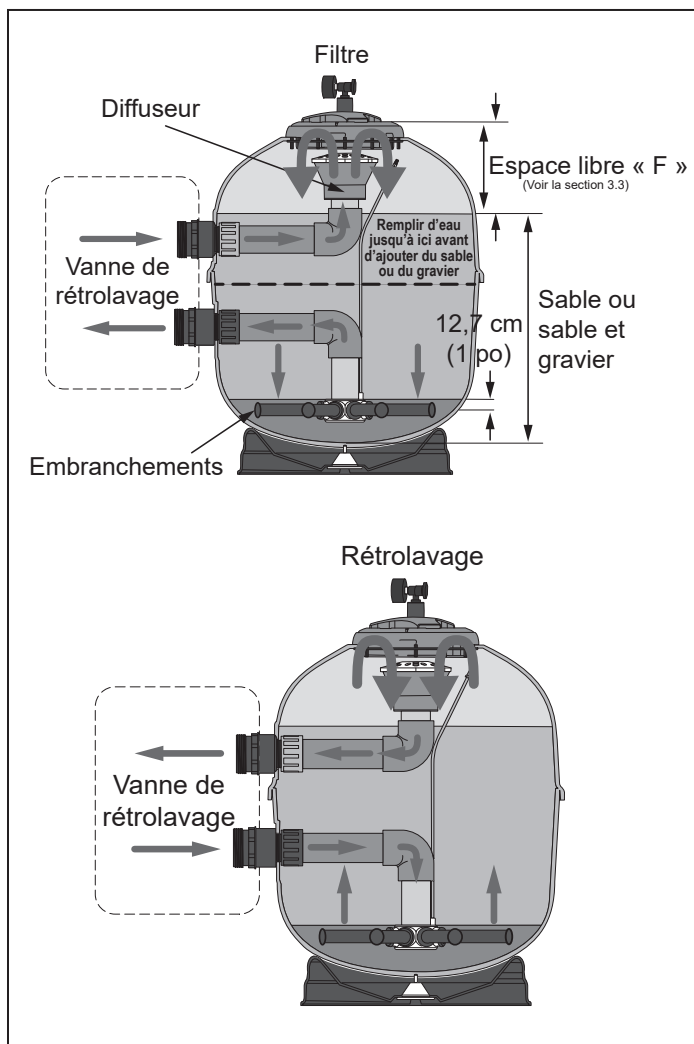


Figure 2. Filtre et fonction de lavage à contre-courant

Pendant un lavage à contre-courant, l'eau est acheminée dans l'orifice de sortie depuis la pompe de filtration. L'eau remonte ensuite à travers le matériau de filtration en remuant et en délogeant les particules et les débris. L'eau sale résultant du lavage à contre-courant est refoulée à travers les diffuseurs et ressort par l'orifice d'admission, où elle sera acheminée vers le circuit de drainage des eaux usées.

### ⚠ AVERTISSEMENT

Cet équipement ne doit être utilisé que dans une piscine ou un spa. Ne pas raccorder le système à un réseau municipal d'approvisionnement en eau non réglementé ou à toute autre source externe d'eau sous pression produisant des pressions supérieures 35 psi.

## 2.6 Emplacement de l'équipement

Tous les composants du système de recirculation d'eau de la piscine doivent être installés conformément aux normes et aux instructions en vigueur dans votre comté ou votre municipalité. Le plus grand soin doit être pris pour s'assurer que l'équipement est positionné de manière à en permettre l'utilisation et l'entretien en toute sécurité.

### 2.6.1 Socle de l'équipement

Le filtre ainsi que les autres composants principaux du système de recirculation d'eau de votre piscine doivent être installés sur une base plane et préparée, capable de supporter le poids du filtre et pouvant accueillir des boulons d'ancrage pour fixer l'équipement en place. Vérifier s'il existe d'autres exigences dans les codes locaux de construction. Si possible, la zone autour du socle de l'équipement doit être :

- Sèche.
- Bien ventilée.
- Aménagée avec un drainage suffisant.
- À l'abri de la lumière directe du soleil.
- À l'écart des avant-toits ou surplombs ne disposant pas d'une gouttière.
- À l'écart des arbres ou autres feuillages en surplomb susceptibles de produire des déchets ou débris de toute sorte qui pourraient obstruer, bloquer ou perturber le fonctionnement et l'entretien réguliers de l'équipement.
- Aussi proche de la principale étendue d'eau que possible. Toute longueur de tuyau supplémentaire réduit l'efficacité du système en raison de la friction interne.

## 2.6.2 Emplacement du filtre

Le filtre doit être installé sur une surface ferme, solide, de niveau et non absorbante; et conformément aux exigences des codes locaux et de l'autorité compétente. Les systèmes de filtration peuvent peser jusqu'à 500 kg (1100 lb). Utiliser des matériaux de montage adéquats pour éviter les risques d'affaissement du sol; ne jamais utiliser de sable pour mettre le filtre de niveau, car il partirait avec l'eau. Vérifier s'il existe d'autres exigences dans les codes locaux de construction. Sur le socle de l'équipement, le filtre doit être positionné de façon à :

- Se trouver à au moins 15 centimètres (6 po) de distance des murs et/ou de l'aménagement paysager pour permettre l'entretien.
- Ne pas se trouver sous un surplomb, revêtement ou aménagement paysager qui pourrait empêcher le démontage du couvercle de filtre et/ou l'entretien ou le remplacement des composants internes.
- Se trouver à une au moins 1,5 mètre (5 pi) de toute commande ou entrée électrique.
- Être aligné dans la mesure du possible, avec les autres équipements afin de minimiser le nombre de coudes dans le circuit de plomberie, susceptibles de réduire l'efficacité du circuit.

- Permettre d'orienter le drainage de l'eau en toute sécurité.
- Être accessible pour le drainage et l'élimination du sable.
- Permettre de purger l'air et l'eau en toute sécurité à l'écart des autres équipements, commandes ou branchements électriques.
- Rester stationnaire sans être soumis à de quelconques mouvements.

Si le filtre doit être placé au-dessus du niveau d'eau de la piscine, il peut être relevé de 75 cm (2,5 pi) sans affecter le rendement de la pompe. L'installation d'un clapet antiretour est recommandée sur la conduite d'aspiration de la pompe.

Si le filtre doit être installé sous le niveau d'eau de la piscine, des vannes d'isolation doivent être installées sur les conduites d'aspiration et de retour afin d'empêcher le reflux de l'eau de la piscine pendant les travaux d'entretien courants.

### ⚠ AVERTISSEMENT

L'eau évacuée d'un filtre ou d'une vanne mal positionné(e) peut créer un risque de choc électrique pouvant entraîner des dommages matériels, des blessures graves ou la mort.

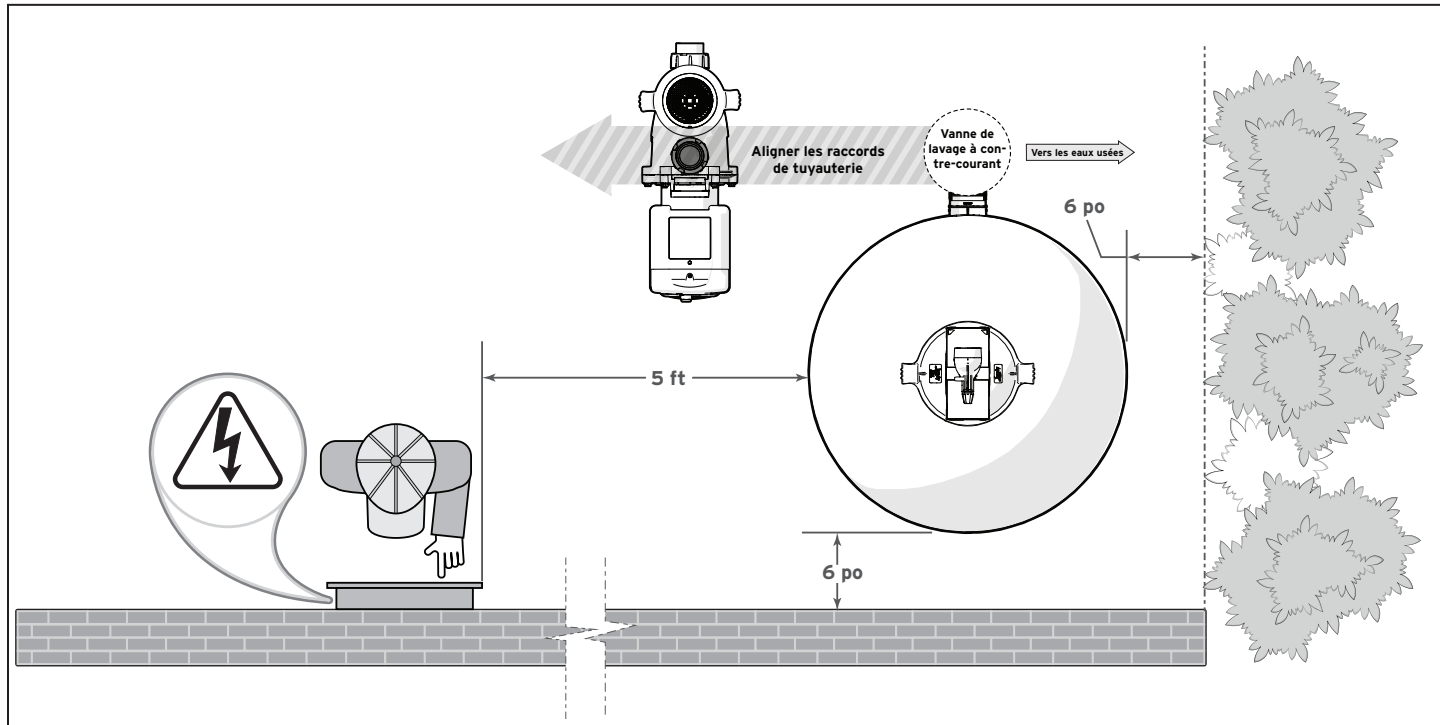


Figure 3. Exigences d'emplacement du filtre



### 2.6.3 Ancrage du filtre sur le socle de l'équipement

Dans certaines régions, les codes de construction exigent que tous les appareils soient solidement fixés au socle de l'équipement afin de résister aux fortes pressions éoliennes générées par les ouragans. Veuillez respecter l'ensemble des codes et des normes applicables localement. Les vis d'ancrage et leurs rondelles ne sont pas livrées avec le filtre.

- Après avoir placé le filtre, percer un trou dans chacun des trois (3) trous à la base du filtre. (La taille de la mèche à béton à utiliser doit vous être communiquée lors de l'achat des vis à béton). Les vis à béton doivent répondre à toutes les exigences applicables du code de construction.
- Installer les vis et les rondelles pour fixer le filtre sur le socle de l'équipement. Voir la figure 4. Ne pas trop serrer les vis.

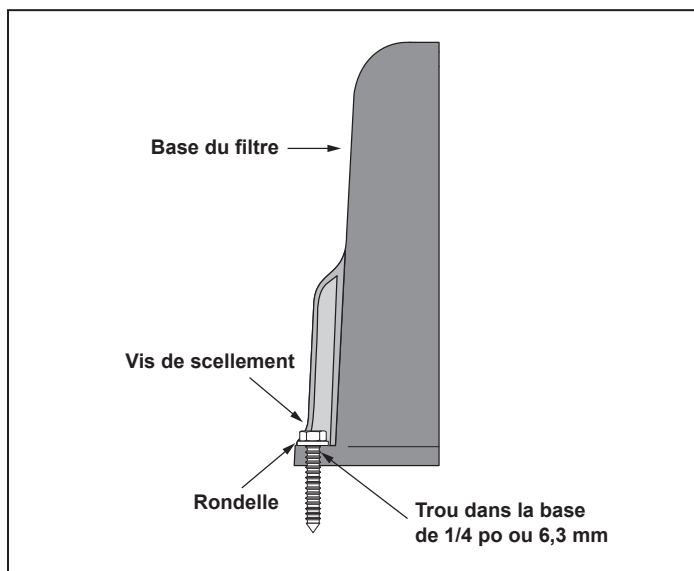


Figure 4. Installer les vis d'ancrage

## Section 3. Configuration

### 3.1 Installer le manomètre

Le manomètre se trouve dans le sac des accessoires. Monter l'ensemble manomètre/soupape de décharge d'air sur le couvercle du réservoir de filtre :

- Placer le joint à l'intérieur de la partie inférieure du raccord en T de connexion.
- Filetage du raccord en T sur la tige filetée de l'ensemble du couvercle.
  - Il n'est pas nécessaire d'utiliser le ruban PTFE.
- Visser le bouchon d'évent dans le trou d'angle le plus grand du raccord en T.
- Envelopper le filetage du manomètre avec de la bande adhésive PTFE et vissez dans le raccord en T jusqu'à l'étanchéité à l'eau. S'assurer que la jauge est orientée correctement. Ne pas trop serrer le manomètre. Un serrage excessif pourrait faire craquer l'accord en T.
- Placer le circlip sur le manomètre une fois que le filtre est installé et que la pompe est en marche. Aligner la flèche « Propre » avec le relevé de pression et appuyer sur l'anneau par-dessus le manomètre. Si des ajustements doivent être effectués, maintenir le manomètre avec une main tout en tournant l'anneau avec l'autre dans le but d'empêcher le manomètre de tourner. Plus de rotation dans un sens ou l'autre peut provoquer des fuites ou fissures du raccord en T.

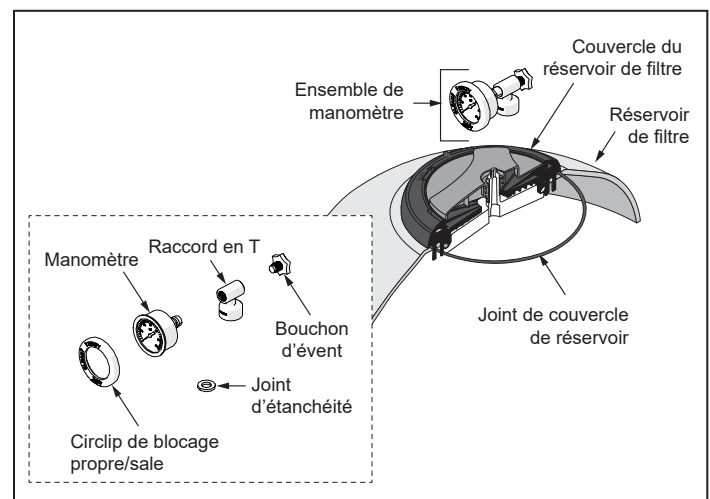


Figure 5. Installation du couvercle et du manomètre

### **⚠ MISE EN GARDE**

Maintenir le manomètre en bon état de fonctionnement. Le manomètre est le principal indicateur de l'état de fonctionnement du filtre.



## 3.2 Tuyauterie

### **⚠ AVERTISSEMENT**

Pour éviter tout risque de choc électrique, s'assurer que l'alimentation de tous les dispositifs électriques du système est éteinte avant d'approcher, d'inspecter ou de dépanner des vannes ou des tuyaux qui pourraient avoir projeté de l'eau sur d'autres appareils électriques aux alentours.

Ce filtre fonctionne sous pression. Il s'installe uniquement sur le côté refoulement d'un système de pompe.

Lorsque le couvercle est installé correctement et que le filtre fonctionne sans présence d'air dans le circuit d'eau, le filtre fonctionne de manière sûre.

Si le système risque d'être soumis à une pression supérieure à la pression nominale maximale d'un composant, installer une soupape de surpression ou un régulateur de pression automatique agréé(e) ASME® dans le système de circulation. Régler la soupape de décharge ou le régulateur de pression sur la pression de fonctionnement la plus basse de tous les composants du système.

**NE PAS INSTALLER** de robinet d'arrêt positif sur la tuyauterie de sortie du filtre. L'utilisation de la pompe alors qu'une vanne est fermée en sortie pourrait entraîner une explosion. Parfois, des vannes d'isolation sont requises pour les installations où le filtre et les autres équipements sont en dessous du niveau d'eau de la piscine. Des clapets antiretour doivent être utilisés pour permettre d'entretenir l'équipement sans vider la piscine. Si l'application nécessite des robinets d'arrêt positifs ou manuels, tous les **robinets d'arrêt doivent être clairement identifiés par le libellé « AVERTISSEMENT : Risque d'explosion. Ne pas faire fonctionner le système si la vanne est fermée ».**

En outre, l'utilisation de vannes d'isolation peut couper le débit vers d'autres équipements. Faire fonctionner un équipement sans débit peut endommager gravement cet équipement.

Des dispositifs d'alimentation en produits chimiques et/ou des générateurs de chlore doivent être installés en aval du filtre et du réchauffeur et un clapet antiretour doit être installé pour empêcher le reflux de l'eau traitée depuis les générateurs de chlore ou les dispositifs d'alimentation en produits chimiques.

### **⚠ MISE EN GARDE**

Le fonctionnement à d'importants niveaux de vide peut provoquer des fissures et des fuites dans le réservoir, ce qui peut entraîner des dommages matériels.

La tuyauterie de lavage à contre-courant qui rejette de l'eau à une hauteur de 3 mètres (10 pieds) ou moins de la surface de l'eau de la piscine doit être munie d'un reniflard dans la tuyauterie d'évacuation des eaux usées à moins de 3 mètres (10 pieds) de la surface de la piscine.

### 3.2.1 Raccords de tuyauterie

- Placer le filtre sur le socle en béton, aligné avec les tuyaux d'entrée/sortie. Voir la figure 3.
  - Pour réduire la perte de pression, il est recommandé d'utiliser un tuyau égal ou supérieur au diamètre des sorties, pour l'installation du système.
- Installer la vanne de lavage à contre-courant.
  - Raccorder la tuyauterie d'entrée et de sortie à la vanne comme indiqué dans le manuel de la vanne.
  - Pour améliorer l'efficacité, utiliser le moins de raccords possible. Cela empêchera toute restriction du débit d'eau.
  - Réaliser tous les raccords de tuyauterie en conformité avec les codes locaux de plomberie et de construction.
  - Les raccords de filtre sont fournis avec un joint torique. Pour éviter d'endommager les joints toriques, utiliser uniquement un lubrifiant à base de silicone sur les joints toriques.
  - NE PAS UTILISER** de pâte à joint, de colle ou de solvant sur les écrous-raccords d'accouplement.
  - Ne pas utiliser de ruban Teflon® ou de pâte à joint sur les raccords.
  - Bien serrer chaque raccord et s'assurer que le circuit ne présente aucune trace de fuite. Des fuites dans la conduite d'aspiration de la pompe peuvent entraîner une prise d'air dans le réservoir du filtre ou une perte d'amorçage de la pompe.
  - Étayer les tuyaux d'entrée/sortie indépendamment pour éviter d'exercer une contrainte excessive sur la vanne de lavage à contre-courant.

## 3.3 Remplir le filtre

Les filtres à sable haut débit de Jandy utilisent communément du sable ou du sable sur une fine couche de gravier fin comme matériau de filtration. Voir la figure 2. L'utilisation d'un matériau de filtration autre que le sable est également décrite à la Section *Configuration, Matériau de filtration autre*.

1. La densité du sable peut varier en fonction du sable et de la quantité d'humidité qu'il contient. Pour cette raison, considérez les poids de sable indiqués sur le tableau 1 comme étant approximatifs. La distance libre est la variable la plus importante et doit être maintenue.
  - Si du gravier est utilisé, il couvrira les embranchements à environ 25 mm (1 po) au-dessus des embranchements. Voir la figure 2.
  - Tous les matériaux de filtration doivent être libellés comme conformes aux exigences NSF® pour les filtres à sable.
  - Le sable doit être du sable de silice n° 20 (0,4 mm - 5,3 mm/0,016 po - 0,021 po).
  - Le gravier utilisé, le cas échéant, devra mesurer 3,2 à 6,3 mm (1/8 po à 1/4 po) de diamètre.
  - Avant d'ajouter tout matériau de filtration, s'assurer que les embranchements (ailettes) sont vissés fermement dans le moyeu et que le moyeu est centré dans le réservoir avec les embranchements (ailettes) à l'horizontale. Vérifier s'il y a des embranchements (ailettes) brisés par accident lors d'une manipulation sans précaution lors du transport. Remplacer les pièces brisées au besoin.
2. Remplir le filtre jusqu'à moitié avec de l'eau avant de charger le matériau de filtration. Voir la figure 2.
3. Couvrir chaque diffuseur avec un sac plastique.
  - Des précautions devront être prises pour que le matériau de filtration ne pénètre pas dans les diffuseurs.
  - Veiller à ne pas déloger le conduit de ventilation et l'écran de ventilation. Voir la figure 7.

### ⚠ MISE EN GARDE

Pour éviter d'endommager les embranchements (ailettes), ajouter lentement le matériau de filtration jusqu'à en recouvrir entièrement les embranchements. Des embranchements (ailettes) fissurés ou brisés entraîneront le déversement de sable dans la piscine.

### ⚠ AVERTISSEMENT

L'écran et la tuyauterie de ventilation automatique doivent être positionnés correctement pour éviter de piéger l'air à l'intérieur du filtre. La présence d'air piégé peut provoquer une panne ou le soufflage du couvercle du filtre, ce qui peut entraîner des dommages matériels, des blessures graves ou la mort.

4. Utiliser une petite pelle et verser LENTEMENT le gravier fin dans le filtre.
5. Nivelier la surface du gravier, à 2,5 cm (1 po) au-dessus des embranchements.
6. Utiliser une petite pelle et verser la quantité appropriée de sable selon le niveau indiqué sur le Tableau 1.
7. Si seul du sable est utilisé, le verser LENTEMENT dans le filtre à l'aide d'une petite pelle, jusqu'au niveau indiqué dans Tableau 1.
8. Retirer tous les éléments couvrants des diffuseurs.
9. Vérifier que le tuyau de ventilation est correctement positionné dans le réservoir. Voir la figure 6.
10. En n'utilisant que de l'eau, éliminer le sable ou les particules de saleté dans les filetages en haut du réservoir.
11. S'assurer que le(s) diffuseur(s) est/sont bien positionné(s) et correctement centré(s).
12. S'assurer que le conduit de ventilation automatique est en place (fileté dans le diffuseur) et que l'écran de ventilation est installé sur le dessus du conduit de ventilation. Voir la figure 7.

Tableau 1. Niveau de sable requis

Modèle	Freeboard « F » (Manuel à NSF)	Sable uniquement	Matériau en couches	
			Sable	Gravier
<b>SFSM60</b>	12,4 po 31,5 cm	375 lb 170,1 kg	300 lb 136,1 kg	75 lb 34,0 kg
<b>SFSM100</b> <b>SFSM100F</b>	15,0 po 38,1 cm	625 lb 283,5 kg	500 lb 226,8 kg	150 lb 68,0 kg
<b>SFSM120</b> <b>SFSM120F</b>	13,5 po 34,3 cm	1050 lb 476,3 kg	875 lb 396,9 kg	200 lb 90,7 kg
<b>SFSM140</b> <b>SFSM140F</b>	16,0 po 40,6 cm	1200 lb 544,3 kg	1075 lb 487,6 kg	200 lb 90,7 kg

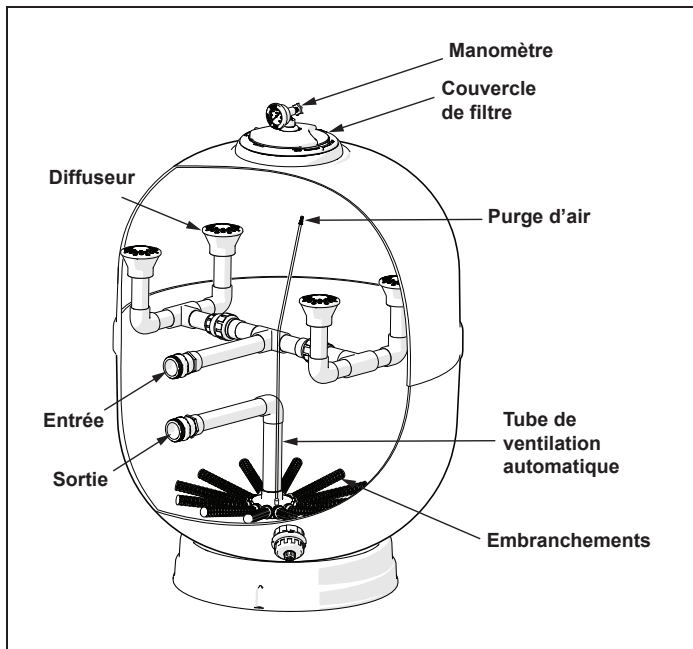


Figure 6. Décharge d'air automatique

### 3.3.1 Autre matériau de filtre

SFSM Jandy filtres sont conçus pour fonctionner avec n'importe quel média de filtration approuvé NSF comme alternative à sable. Suivre les recommandations du fabricant relatives aux médias instructions d'application ainsi que le document d'orientation sur Jandy exigences de niveau de franc-bord (se reporter au Tableau 1, *Niveau de sable requis*). Document d'orientation sur Jandy Niveau de franc-bord doivent toujours être respectées.

## 3.4 Installer le couvercle du filtre

### ⚠ MISE EN GARDE

S'assurer que le joint torique est complètement nettoyé et lubrifié avec un lubrifiant à base de pétrole non. Avant de soumettre le filtre de pression, s'assurer que la poignée est tournée, aussi serrée que possible, afin d'obtenir une bonne étanchéité. Voir la figure 5.

### ⚠ AVERTISSEMENT

Respecter attentivement les instructions suivantes. Une mauvaise installation du couvercle peut causer une défaillance du produit ou provoquer le soufflage du couvercle du filtre, ce qui peut entraîner des dommages matériels, des blessures graves ou la mort.

### ⚠ AVERTISSEMENT

N'essayez jamais de régler ou de retirer le couvercle lorsque la pompe est en marche ou que le système est sous pression. Cela peut provoquer une panne du produit ou le soufflage du couvercle du filtre, ce qui peut entraîner des dommages matériels, des blessures graves ou la mort.

### ⚠ AVERTISSEMENT

Avant d'installer le couvercle, inspecter le couvercle et le réservoir pour vérifier qu'ils ne sont pas endommagés. Un couvercle ou un réservoir endommagé peut entraîner le soufflage du couvercle, ce qui peut entraîner des dommages matériels, des blessures graves ou la mort.

### 3.4.1 Retrait du couvercle du filtre

1. Tourner le volant de réglage (A) dans le sens antihoraire jusqu'à ce qu'il se desserre. Voir la figure 7.
2. Appuyer sur le volant de réglage fermement pour libérer le joint torique. Voir la Figure 8.
3. Avant de retirer le couvercle, le tourner de 15° dans le sens antihoraire (B), voir la figure 7. Soulever l'ensemble de couvercle par le volant de réglage.

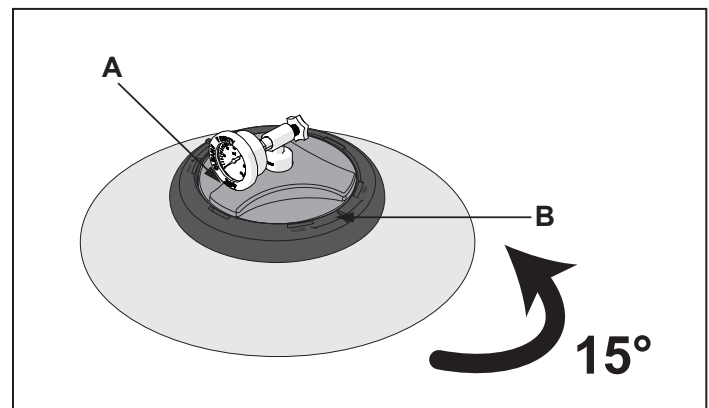


Figure 7. Desserrer le volant de réglage

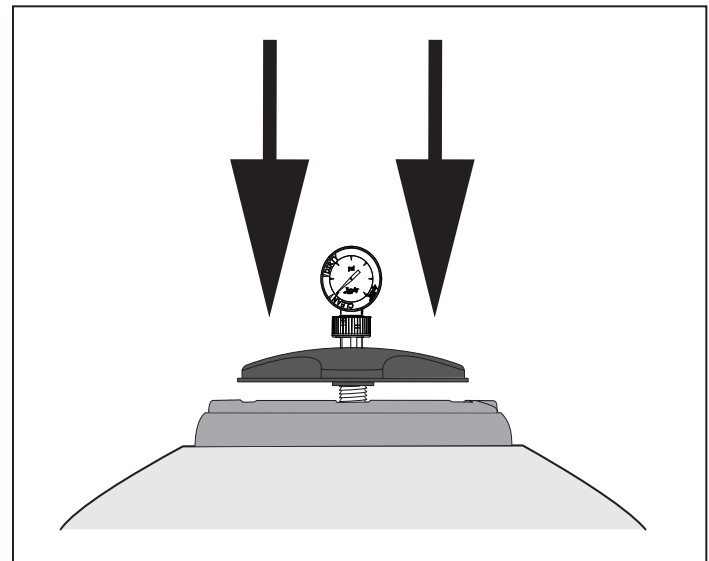


Figure 8. Taper pour libérer le joint torique

### 3.4.2 Repose du couvercle du filtre

1. Commencer avec le couvercle complètement hors du filtre afin de s'assurer que le joint torique n'est pas comprimé. Fig. 9
2. Insérer le couvercle dans le filtre jusqu'à ce qu'il tombe dans son logement. Tourner le couvercle de 15° dans le sens des aiguilles d'une montre (A), puis tourner le volant de réglage (B) jusqu'en butée dans le sens horaire. Fig. 10

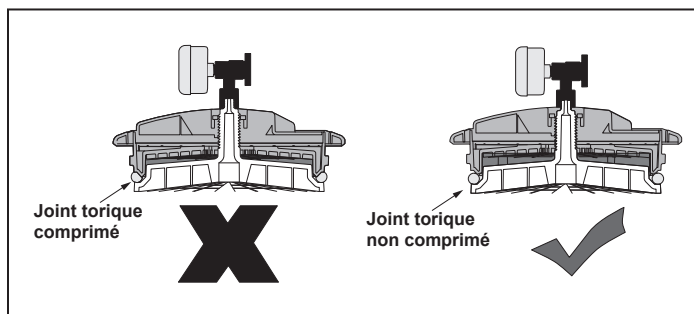


Figure 9. S'assurer que le joint torique n'est pas comprimé

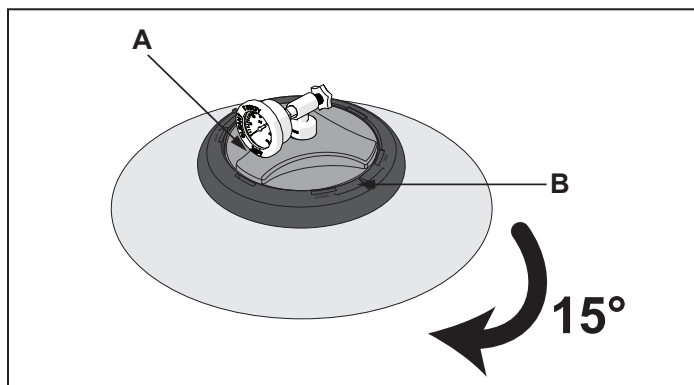


Figure 10. Serrer le couvercle (A) puis le volant de réglage (B)

## Section 4. Démarrage et fonctionnement

### 4.1 Démarrage

Cette section s'applique aux démarrages d'une nouvelle piscine et aux démarrages saisonniers.

#### ⚠ AVERTISSEMENT

NE JAMAIS ESSAYER de monter, de démonter ou de régler le filtre lorsque le système est sous pression. Démarrer la pompe alors que le système est sous pression peut provoquer une panne du produit ou le soufflage du couvercle du filtre, ce qui peut entraîner des dommages matériels, des blessures graves ou la mort.

#### ⚠ AVERTISSEMENT

NE JAMAIS DÉMARRER la pompe lorsqu'une personne est à moins de 1,5 mètre (5 pieds) du filtre. Démarrer la pompe lorsque le système est sous pression peut provoquer une panne du produit ou le soufflage du couvercle du filtre, ce qui peut entraîner des dommages matériels, des blessures graves ou la mort.

1. Vérifier que la piscine a été nettoyée avant de la remplir d'eau pour éviter d'endommager les composants en raison d'une abondance de débris ou de particules de saleté.
  - Si la piscine est en béton, en gunite ou contient beaucoup de débris ou de poussière de plâtre qui peuvent être difficiles à retirer; Il est recommandé de faire fonctionner le filtre en mode « FILTRE » de filtrage pendant 48 heures avant d'effectuer la procédure de lavage à contre-courant décrite ci-dessous.
2. Éteignez la pompe au niveau du disjoncteur.
3. Vérifiez que le bouchon de vidange est en place et qu'il est bien serré.
4. Vérifiez que le couvercle est correctement fixé et serré. Voir la figure 5.
  - S'assurer que l'ensemble manomètre/soupape de décharge d'air est complètement installé dans le couvercle.
5. S'assurer que la tuyauterie de lavage à contre-courant est ouverte.
6. Régler la vanne de lavage à contre-courant sur la position « lavage à contre-courant ».
  - Si une vanne à plusieurs voies est utilisée, régler la poignée sur la position « lavage à contre-courant » indiquée sur le cadran.
  - Si une vanne coulissante est utilisée, pousser la poignée vers le bas dans la position de lavage à contre-courant et tourner la poignée pour la verrouiller en place.
  - Pour plus de détails, consulter le manuel d'instructions du fabricant de votre vanne de lavage à contre-courant.
7. Rétablir l'alimentation de la pompe au disjoncteur.
8. Si la pompe ne s'amorce pas immédiatement, suivre la procédure ci-dessous pour enclencher l'amorçage.
  - Si nécessaire, ouvrir le couvercle du préfiltre de la pompe.
  - Remplir d'eau le préfiltre de la pompe pour amorcer le système.

- Remettre le couvercle en place. (Il faudra peut-être effectuer cette opération plusieurs fois en cas de démarrage d'une nouvelle installation ou dans le cas d'un démarrage saisonnier.)
  - Si la pompe est située sous le niveau d'eau de la piscine, la soupape de décharge de pression du filtre peut être ouverte pour amorcer la pompe avec de l'eau.
  - Si la pompe est située au-dessus du niveau de l'eau, retirer le couvercle et remplir le préfiltre d'eau avant de démarrer la pompe.
  - Avant de remettre en place le couvercle de la pompe, vérifier qu'il n'y a pas de débris autour du joint torique dans le couvercle. La présence de débris autour du joint torique dans le couvercle provoquera une fuite d'air dans le système et rendra difficile l'amorçage de la pompe.
  - Serrer le couvercle à la main pour assurer une bonne étanchéité.
  - Ne pas utiliser des outils pour serrer le couvercle.
  - S'assurer que le couvercle est bien fermé.
  - S'assurer que toutes les vannes d'isolation sont ouvertes.
  - S'assurer que les raccords sont serrés.
9. Ouvrir la soupape de décharge d'air en tournant dans le sens inverse des aiguilles d'une montre la vis à ailettes située derrière le boîtier du manomètre.
- Ne pas retirer la vis à ailettes. Voir la figure 5.
10. Se tenir à l'écart du filtre et activer la pompe de filtration.
11. Une fois la pompe amorcée, le filtre commence à se remplir. L'évent situé sur le manomètre expulse l'air.
- Si l'évent n'expulse pas l'air, fermer la pompe filtrante.
  - Vérifier à nouveau que toutes les vannes d'isolation sont ouvertes.
  - S'assurer que la pompe filtrante s'est amorcée avec succès et a rempli le filtre d'eau.
  - Vérifier à nouveau que la vis à ailettes de la soupape de décharge a été desserrée
12. L'évacuation de l'air est terminée lorsqu'un flux d'eau constant est éjecté par l'évent.
13. Il faut également constater un débit régulier d'eau s'écoulant de la conduite de vidange des « eaux usées ».

14. Fermer la soupape de décharge d'air en tournant dans le sens des aiguilles d'une montre la vis à ailettes derrière le boîtier du manomètre jusqu'à ce que le débit d'eau qui s'échappe par l'évent soit complètement interrompu.
15. Faire fonctionner le filtre en utilisant le réglage de lavage à contre-courant sur votre vanne de lavage à contre-courant pendant au moins 3 à 5 minutes ou jusqu'à ce que l'eau soit claire.

## 4.2 Fonctionnement

Ce filtre est compatible avec différentes vannes de lavage à contre-courant. Les procédures opérationnelles décrites ci-dessous tentent de couvrir l'utilisation des vannes de lavage à contre-courant les plus courantes. Cependant, il est toujours recommandé de consulter le manuel de la soupape de lavage à contre-courant utilisée sur le filtre.

### MISE EN GARDE

Pour éviter tout risque de blessure et d'endommagement de l'équipement, toujours éteindre la pompe avant de changer la position d'une vanne de lavage à contre-courant.

### AVERTISSEMENT

NE JAMAIS FAIRE fonctionner le système de filtration à une pression supérieure à 50 psi. Un système de filtration fonctionnant sous une pression supérieure à 50 psi peut causer une panne du produit ou provoquer le soufflage du couvercle du filtre, ce qui peut entraîner des dommages matériels, des blessures graves ou la mort.

### AVERTISSEMENT

NE PAS FAIRE fonctionner le filtre à une température d'eau supérieure à 40 °C (104 °F). Une température de l'eau supérieure aux recommandations du fabricant réduira la durée de vie du filtre et peut annuler la garantie.

Toujours désactiver la pompe de filtration chaque fois que des réglages sont effectués sur la vanne de lavage à contre-courant.

1. Continuer le lavage initial jusqu'à ce que l'eau de lavage à contre-courant soit claire (3 à 5 minutes).
  - Voir l'étape 1 à la section *Démarrage et fonctionnement* si la piscine est neuve ou qu'elle contient des particules difficiles à retirer comme de la poussière de plâtre.
2. Arrêter la pompe.
3. Si une vanne de lavage à contre-courant à plusieurs voies est utilisée présentant une position « Rinçage », procéder comme suit :
  - Régler la poignée du sélecteur sur la position « Rinçage ».



- Démarrer la pompe.
  - La faire fonctionner pendant 30 à 40 secondes. Cela permet de stabiliser le lit de sable et d'éliminer les particules fines.
  - Arrêter la pompe.
4. Régler la vanne de lavage à contre-courant sur sa position de fonctionnement normal.
- Si une soupape à plusieurs voies est utilisée, régler la poignée sur la position « Filtre » indiquée sur le cadran.
  - Si un robinet à tiroir est utilisé, tirer la poignée vers le haut dans la position de filtre et tourner la poignée pour la verrouiller en place.
  - S'assurer que toutes les conduites d'entrée et de retour à la piscine sont ouvertes pour permettre le libre mouvement de l'eau.
  - Ouvrir la soupape de décharge d'air en tournant dans le sens inverse des aiguilles d'une montre la vis à ailettes située derrière le boîtier du manomètre. Ne pas retirer la vis à ailettes. Voir la figure 5.
5. Suivre les étapes 10 à 14 de la section *Démarrage* du manuel *Démarrage et fonctionnement*.
6. Une fois le manomètre stabilisé, tourner l'anneau de sorte que la flèche à côté du mot « nettoyer » soit alignée sur l'aiguille du manomètre.
- Consigner cette pression initiale « NETTOYER ». Cette référence vous sera utile à l'avenir.
  - À mesure que le filtre nettoie l'eau et que le sable commence à obstruer l'écoulement, la pression augmente.
  - L'anneau indique une pression supérieure de 0,69 et 0,83 bar (10 et 12 psi) par rapport à la pression initiale.
  - Lorsque l'aiguille du manomètre s'aligne sur la flèche à côté du mot « sale », le moment est venu de nettoyer le filtre.
  - S'assurer que la vitesse de la pompe est maintenue lors de la consignation de « NETTOYER » et « SALE ».

#### 4.2.1 Nettoyage du filtre

Après 48 heures de fonctionnement avec une nouvelle piscine, le filtre devra être lavé à contre-courant pour éliminer la poussière de plâtre et les débris générés par les travaux de construction de la piscine. Il n'est pas recommandé d'exécuter un lavage à contre-courant du filtre de façon régulière, par ex. une fois par mois. Les conditions d'utilisation de la piscine, les conditions

météorologiques, la présence de poussière et l'occupation de la piscine ont une incidence sur la nécessité d'un lavage à contre-courant.

Effectuer un lavage à contre-courant de façon trop fréquente diminuera les performances du filtre en limitant sa capacité à capter les particules plus fines. Ne pas faire fonctionner votre système 24 heures sur 24, tous les jours. Laisser le filtre s'arrêter périodiquement permet de perturber légèrement le « lit de boue » à la surface du lit de sable. Cela diminue légèrement la pression de fonctionnement après une période de repos.

Le lavage à contre-courant de votre filtre est nécessaire lorsque le manomètre indique une augmentation de 0,69 à 0,83 bar (10 à 12 psi) par rapport à la pression du filtre « NETTOYER ». Un autre indicateur de la nécessité d'un lavage à contre-courant est lorsque le débit reflué vers la piscine est réduit de 30 % par rapport au débit du filtre propre.

1. Arrêter la pompe.
2. Vérifier que la tuyauterie d'aspiration et la tuyauterie de lavage à contre-courant sont ouvertes pour assurer un écoulement libre de toute obstruction à travers le filtre et la conduite de lavage à contre-courant.
3. Régler la vanne de lavage à contre-courant sur la position « lavage à contre-courant ».
  - Si une vanne à plusieurs voies est utilisée, régler la poignée sur la position « lavage à contre-courant » indiquée sur le cadran.
  - Si une vanne coulissante est utilisée, pousser la poignée vers le bas dans la position de lavage à contre-courant et tourner la poignée pour la verrouiller en place.
4. Se tenir à l'écart du filtre et démarrer la pompe.
5. Effectuer un lavage à contre-courant du filtre pendant 3 à 5 minutes, ou jusqu'à ce que l'eau soit claire.
6. Arrêter la pompe.
7. Si la soupape à plusieurs voies dispose d'une position de « Rinçage », procédez comme suit :
  - Réglez la poignée du sélecteur sur la position « Rinçage ».
  - Laissez fonctionner pendant une minute. Cela permet de niveler le lit de sable.
  - Arrêtez la pompe.
8. Régler la vanne de lavage à contre-courant sur sa position de fonctionnement normal.

- Si une soupape à plusieurs voies est utilisée, régler la poignée sur la position « Filtre » indiquée sur le cadran.
  - Si un robinet à tiroir est utilisé, tirer la poignée vers le haut dans la position de filtre et tourner la poignée pour la verrouiller en place.
  - S'assurer que toutes les conduites d'entrée et de retour à la piscine sont ouvertes pour permettre le libre mouvement de l'eau.
  - Ouvrir la soupape de décharge d'air en tournant dans le sens inverse des aiguilles d'une montre la vis à ailettes située derrière le boîtier du manomètre. Ne pas retirer la vis à ailettes. Voir la figure 5.
9. Suivre les étapes 10 à 14 de la section *Démarrage* du manuel *Démarrage et fonctionnement*.
  10. Aligner l'anneau du manomètre conformément à l'étape 6 de la section *Fonctionnement* du manuel *Démarrage et fonctionnement*.
  11. Si la lecture du manomètre après la procédure de lavage à contre-courant indique une différence supérieure à 0,34 bar (5 psi) par rapport à cette valeur, il sera nécessaire de nettoyer chimiquement le lit de sable. Se reporter à la section suivante

#### 4.2.2 Procédure de nettoyage chimique

Les nettoyants chimiques pour filtre à sable éliminent les huiles, les dépôts et la rouille du lit de sable après un trempage nocturne de 12 heures, selon les instructions suivantes. Respecter attentivement les instructions suivantes. Ne pas laisser la solution de nettoyage être pompée dans la piscine.

1. Utiliser un nettoyant approuvé pour les filtres à sable.
  - Des nettoyants approuvés sont disponibles dans tous les magasins de produits chimiques pour piscine, ou auprès du service d'entretien ou du fournisseur de votre piscine.
2. Le cas échéant, mélanger la solution appropriée en suivant les instructions du fabricant.
3. Exécuter la procédure de lavage à contre-courant décrite dans la section *Nettoyage du filtre*.
4. Arrêter la pompe.
5. Si le filtre est installé en dessous du niveau d'eau de la piscine, fermer la/les vanne(s) d'isolation appropriée(s) pour éviter que la piscine ne se vide.
6. Vider l'eau du filtre. (Se reporter à la section suivante)
7. Une fois le filtre vidangé, replacer le capuchon sur le raccord de vidange.

8. Placer la vanne de lavage à contre-courant dans la position « lavage à contre-courant ».
  - S'assurer que les conduites de lavage à contre-courant sont ouvertes.
9. Introduire le produit nettoyant dans le circuit d'eau.
  - Respecter toutes les instructions d'utilisation et de sécurité du fabricant du produit nettoyant pour filtre.
10. Suivre les étapes 9 à 13 de la section *Démarrage* du manuel *Démarrage et fonctionnement* pour remplir le réservoir du filtre.
11. Arrêter la pompe.
12. Laisser la vanne du filtre en position « lavage à contre-courant ».
  - Veiller à ne pas introduire de solution de nettoyage dans la principale étendue d'eau de la piscine.
13. Couper l'alimentation au disjoncteur.
14. Laisser le filtre reposer pendant 12 heures.
15. Après 12 heures de trempage, rallumer le disjoncteur et suivre les instructions de la *Nettoyage du filtre Section*.

Après un nettoyage chimique, le filtre doit retrouver une valeur très proche de la pression « Propre » d'origine relevée sur le manomètre du filtre lors de la première installation avec du sable neuf. Si ce n'est pas le cas, noter la nouvelle pression « Propre » obtenue pour référence ultérieure.

Tourner l'anneau sur le manomètre du filtre afin que la flèche à côté du mot « Propre » soit alignée sur l'aiguille.

#### 4.3 Vidange du filtre et retrait du sable de filtration

Dans le cadre d'une opération d'entretien ou d'une réparation, il peut être nécessaire de vidanger l'eau du filtre ou de retirer complètement tout le sable du filtre. Le drain présent sur le filtre permet d'éliminer à la fois l'eau et le sable.

Tout tuyau supplémentaire installé sur le conduit de vidange doit être amovible afin de faciliter le retrait des éléments de drainage. Laisser suffisamment d'espace pour rincer le sable du filtre. Voir la figure 11.

#### MISE EN GARDE

S'assurer que toutes les dispositions relatives à l'évacuation des eaux usées respectent les codes locaux, provinciaux ou nationaux. Pendant toute procédure de lavage à contre-courant ou de vidange, 380 litres (100 gallons) d'eau de piscine minimum seront évacués. Ne pas évacuer l'eau dans des endroits où elle risque de causer des inondations ou des dommages.

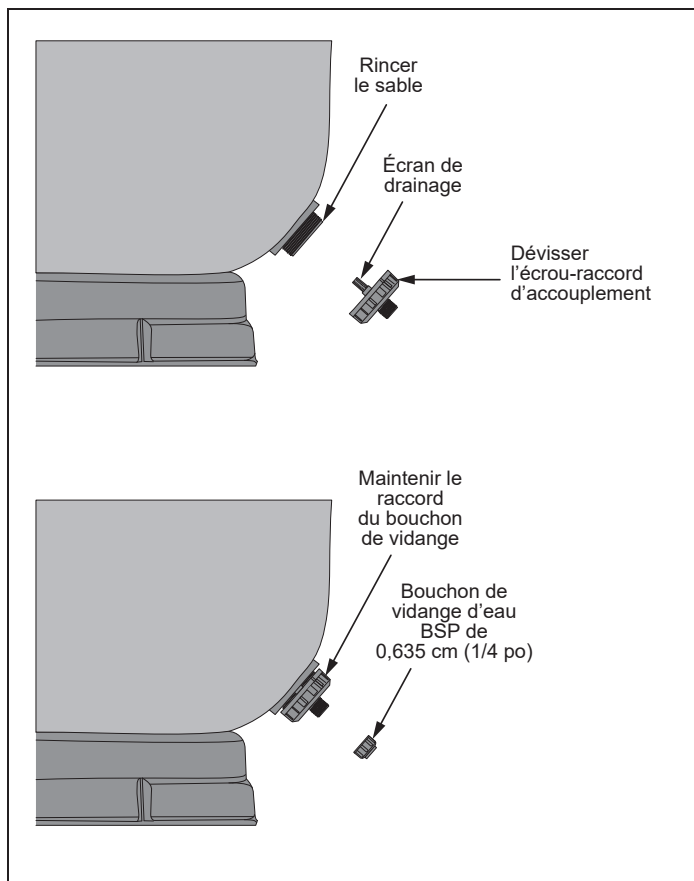


Figure 11. Robinet de vidange

#### 4.3.1 Vidanger le filtre

1. Arrêter la pompe.
2. Si le filtre est installé en dessous du niveau d'eau de la piscine, fermer la/les vanne(s) d'isolation appropriée(s) pour éviter que la piscine ne se vide.
3. Desserrer et retirer le bouchon de vidange.
  - Veiller à ne pas égarer le bouchon de vidange.
4. Laisser le filtre évacuer autant d'eau que nécessaire.
5. Réinstaller la prise et le bouchon.

#### 4.3.2 Retirer le filtre à sable

1. Suivre la procédure de vidange décrite à la section *Vidanger le filtre*.
2. Retirer le couvercle du filtre
  - Avant d'essayer de desserrer ou de retirer le couvercle, éteindre la pompe et OUVRIER la soupape de décharge d'air sur le dessus du filtre.
  - NE PAS ESSAYER de desserrer ou de retirer le couvercle lorsque la pompe est en marche ou si le manomètre du filtre indique que le filtre est sous pression.

- Commencer d'abord par tenter de retirer le couvercle à la main à l'aide des poignées.
  - S'il n'est pas possible de le retirer manuellement, utiliser un maillet ou un marteau à face molle pour frapper alternativement les poignées afin de desserrer le couvercle.
  - Veiller à ne pas endommager le joint torique du couvercle ou l'ensemble manomètre.
3. À l'aide d'une pelle, retirer autant de sable que possible à l'intérieur du filtre.
    - Veiller à ne pas faire entrer de sable dans les diffuseurs.
    - Les diffuseurs peuvent être recouverts d'un sac en plastique pour éviter l'intrusion de sable.
  4. Si possible, utiliser un aspirateur de liquides/poussières pour éliminer autant de sable que possible.
  5. Desserrer et retirer l'écrou-raccord universel.
  6. Retirer délicatement l'écran de drainage.
  7. Veiller à ne pas égarer le joint torique.
  8. Avec de l'eau, rincer le réservoir du filtre pour éliminer tout matériau de filtration restant.
    - Le plus grand drain de réservoir est un raccord universel. Il est plus facile de retirer le sable sans ce raccord. Cependant, si un morceau de tuyau court est utilisé pour éloigner le sable de la base du filtre, un raccord droit de vidange universel et un écrou-raccord peuvent être utilisés. Voir la figure 11.

## Section 5. Entretien

### 5.1 Entretien général

- L'extérieur du filtre peut être nettoyé avec un détergent doux et de l'eau. Rincer à l'eau claire.
- Ne pas utiliser de nettoyeurs ou de solvants trop agressifs pour nettoyer le filtre, car les solvants endommageraient les composants en plastique du filtre.
- Vérifier la pression en fonctionnement au moins une fois par semaine.
- Contrôler et éliminer régulièrement les débris dans le panier de l'écumoire et dans le panier de la crépine de la pompe.



- Vérifier que la pompe et le filtre ne présentent pas de fuites. En cas de fuites, arrêter la pompe et appeler un technicien qualifié.
  - Les panneaux ou étiquettes de sécurité présents sur le produit doivent être inspectés et nettoyés périodiquement par l'utilisateur du produit afin d'en assurer la bonne lisibilité à une distance sûre.
  - L'utilisateur du produit doit remplacer les panneaux ou étiquettes de sécurité du produit lorsqu'une personne disposant d'une acuité visuelle normale, y compris avec correction de la vision, ne peut plus lire les textes inscrits sur ces panneaux ou étiquettes de sécurité en se tenant à une distance sécuritaire du danger.
  - Pour les produits qui ont une longue durée de vie attendue ou qui sont exposés à des conditions extrêmes, l'utilisateur doit contacter le fabricant du produit ou une autre source pour obtenir des panneaux ou des étiquettes de remplacement.
  - L'installation de nouveaux panneaux ou étiquettes de sécurité de remplacement doit suivre la procédure recommandée par le fabricant du panneau ou de l'étiquette.
- Si une vanne de lavage à contre-courant à plusieurs voies est utilisée comportant une position « Hivérisation », actionner le levier de sélection dans cette position. La position « Hivérisation » qui laisse toutes les voies partiellement ouvertes, et sur certaines vannes de lavage à contre-courant qui déplace également le joint vers une position détendue.
6. Couvrir le système avec une bâche ou une toile en plastique pour le protéger des intempéries. Ne pas envelopper les moteurs électriques dans du plastique.

## Section 6. Dépannage

- Pour obtenir la liste des problèmes courants et des solutions correspondantes, consulter le Guide de dépannage.
- Zodiac® recommande d'appeler un technicien qualifié pour toute intervention sur le système de filtration/pompe.
- Pour trouver une entreprise de services à proximité, se rendre à l'adresse [ZodiacPoolSystems.com](http://ZodiacPoolSystems.com). Pour obtenir une assistance technique, composer le 1 800 822-7933 ou envoyer un courriel à l'adresse [productsupport@Jandy.com](mailto:productsupport@Jandy.com).

### 5.2 Manomètre

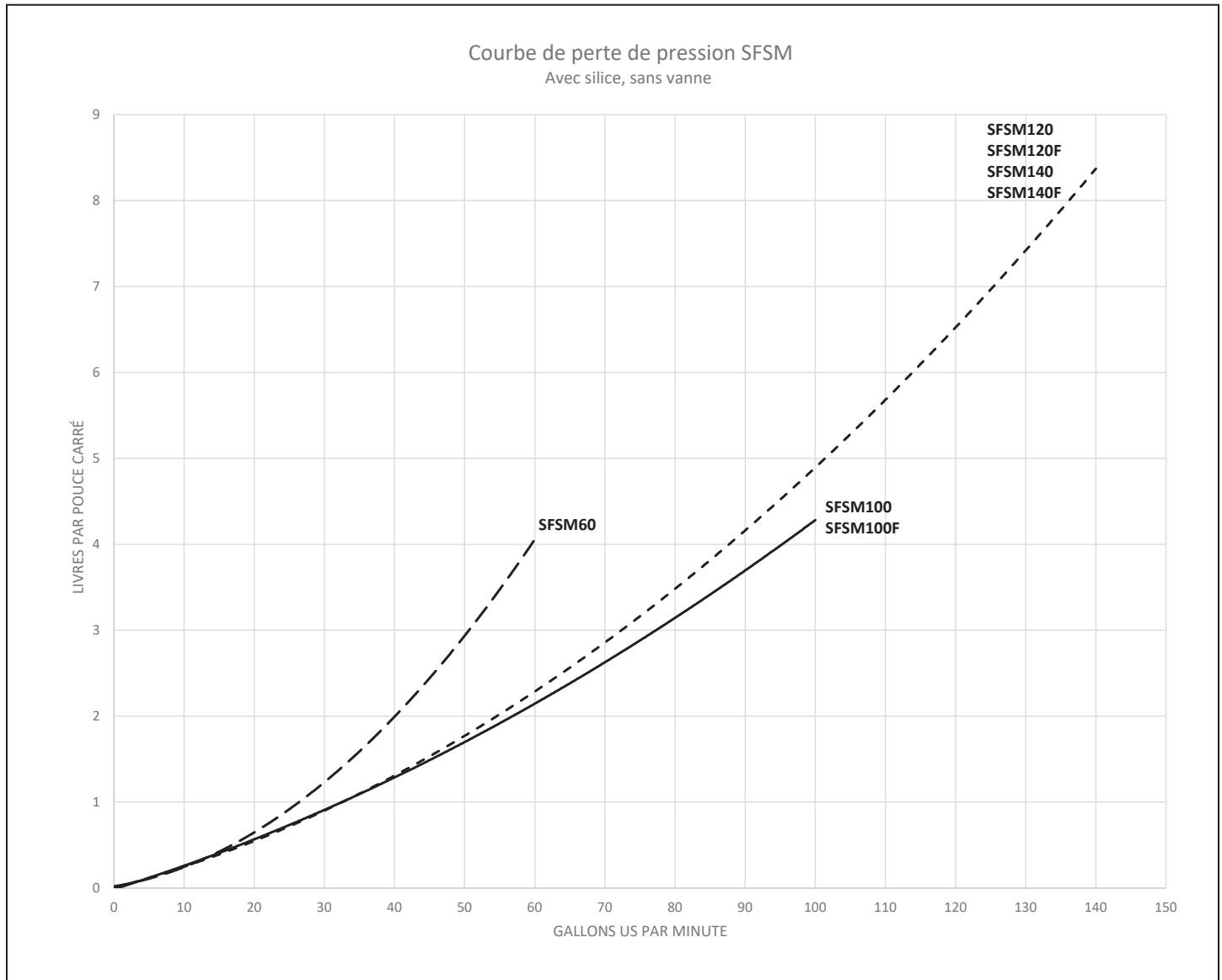
- Pendant le fonctionnement du système de filtration, vérifier au moins une fois par semaine que le manomètre ou la soupape de décharge d'air ne présente pas de fuites d'air ou d'eau.
- Maintenir le manomètre en bon état de fonctionnement. Si un problème de manomètre se présente, Zodiac® recommande d'appeler un technicien qualifié pour effectuer toute intervention sur le système de filtration/pompe.

### 5.3 Hivernage

1. Effectuer un lavage à contre-courant du filtre. Se reporter à la section *Nettoyage du filtre*.
2. ÉTEINDRE la pompe au niveau des disjoncteurs.
3. Ouvrir la soupape de décharge d'air qui se trouve sur le dessus du filtre.
4. Retirer le bouchon de vidange à la base du filtre pour s'assurer que le réservoir est vide. Ranger le bouchon de vidange et le joint dans un endroit sûr. Ne pas les réinstaller pas avant la saison ou le démarrage suivants.
5. Vidanger la tuyauterie du système de toute l'eau présente.

## Section 7. Performance

Tableau 2. Courbe de perte de pression des filtres Jandy de la série SFSM



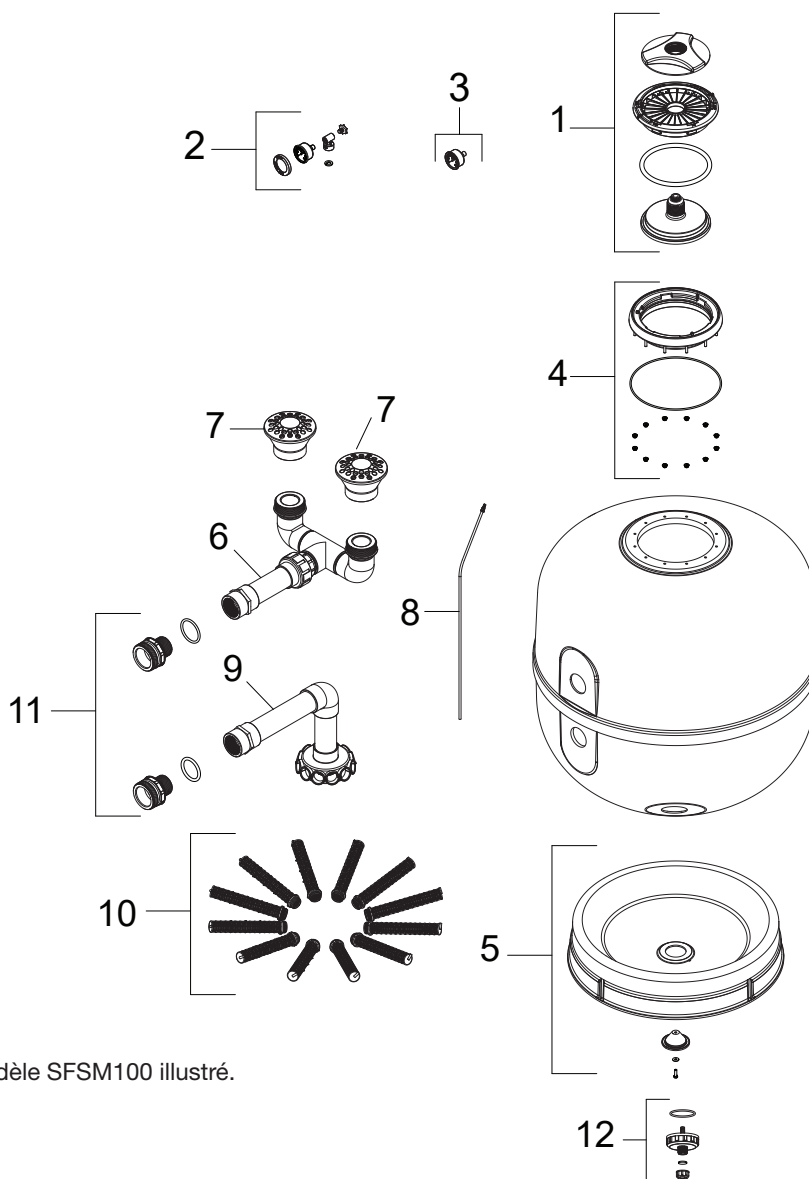
## Section 8. Spécifications du produit et données techniques

Pour une liste complète des pièces de rechange, veuillez visiter [www.Jandy.com](http://www.Jandy.com) ou contacter le soutien technique de au 1 800 822-7933 ou envoyer un courriel à [productsupport@fluidra.com](mailto:productsupport@fluidra.com).

Au Canada, composer le 1 888 647-4004 ou envoyer un courriel à [service.canada@fluidra.com](mailto:service.canada@fluidra.com)

### 8.1 Vues éclatées

- |  |  |
|--|--|
| 1. Ensemble de couvercle               | 7. Diffuseur                               |
| 2. Ensemble de jauge et décharge d'air | 8. Ensemble tube reniflard                 |
| 3. Manomètre                           | 9. Plomberie conduites de sortie           |
| 4. Anneau de blocage avec matériel     | 10. Embranchements                         |
| 5. Base du filtre                      | 11. Raccord avec joints toriques et unions |
| 6. Plomberie conduites d'entrée        | 12. Couvercle d'évacuation                 |



**REMARQUE :** Numéro du modèle SFSM100 illustré.

Figure 12. Vue éclatée Filtre SFSM (les modèles peuvent légèrement varier de l'illustration)

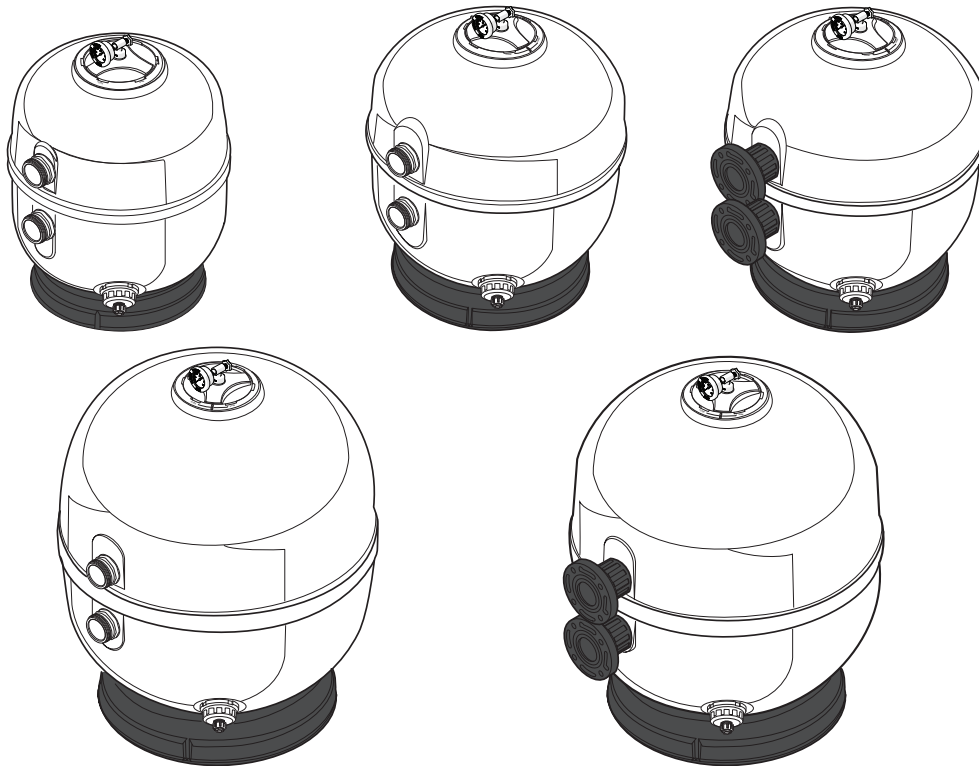
**Zodiac Pool Systems LLC**  
2882 Whiptail Loop # 100  
Carlsbad, CA 92010, USA  
Jandy.com | 1.800.822.7933

**Zodiac Pool Systems Canada, Inc.**  
2-3365 Mainway  
Burlington, ON L7M 1A6, Canada  
Jandy.ca | 1.800.822.7933

**Une marque Fluidra**

©2022 Zodiac Pool Systems LLC. Tous droits réservés. ZODIAC® est une marque de commerce enregistrée de Zodiac International, S.A.S.U., utilisée sous licence. Toutes les autres marques sont la propriété de leurs propriétaires respectifs.  
28342S4E200\_REVD





## Filtro de arena

Modelos: SF60, SF100, SF120, SF140, SF100F, SF120F, SF140F

### ADVERTENCIA

**PARA SU SEGURIDAD:** La instalación y el servicio técnico de este producto deben estar a cargo de un contratista cualificado y matriculado para trabajar con equipamientos para piscinas en la jurisdicción en la que se instalará el producto, donde existan tales requisitos estatales o locales. El técnico de servicio debe ser profesional y contar con experiencia suficiente en instalación y mantenimiento de equipamientos para piscinas, para que todas las instrucciones de este manual se puedan seguir exactamente. Antes de instalar este producto, lea y siga todos los avisos de advertencia y las instrucciones que se proporcionan con el producto. Si no se siguen los avisos de advertencia o las instrucciones, es posible que se produzcan daños materiales, lesiones personales o la muerte. Una instalación o una operación incorrectas pueden anular la garantía.



La instalación y la operación inadecuadas pueden generar peligros eléctricos no deseados que pueden provocar lesiones graves, daños materiales o la muerte.

**ATENCIÓN, INSTALADOR:** Este manual contiene información importante acerca de la instalación, la operación y la utilización seguras de este producto. Esta información debe proporcionarse al propietario/operador de este equipo.

# Contenido

<b>Sección 1. Instrucciones importantes de seguridad.....</b>	<b>43</b>	<b>Sección 4. Puesta en funcionamiento y operación.....</b>	<b>52</b>
1.1 Instrucciones de seguridad.....	43	4.1 Puesta en funcionamiento.....	52
<b>Sección 2. Primeros pasos .....</b>	<b>44</b>	4.2 Operación.....	53
2.1 Contenido del embalaje .....	44	4.3 Cómo drenar el filtro y extraer la arena del filtro	55
2.2 Compatibilidad con Jandy Valve®.....	44	<b>Sección 5. Mantenimiento .....</b>	<b>56</b>
2.3 Herramientas y equipos requeridos .....	44	5.1 Mantenimiento general.....	56
2.4 Especificaciones y dimensiones .....	45	5.2 Manómetro.....	57
2.5 Funcionamiento.....	46	5.3 Preparación para el invierno .....	57
2.6 Ubicación del equipo .....	46	<b>Sección 6. Resolución de problemas .....</b>	<b>57</b>
<b>Sección 3. Preparación .....</b>	<b>48</b>	<b>Sección 7. Desempeño .....</b>	<b>58</b>
3.1 Instalación del manómetro.....	48	<b>Sección 8. Especificaciones del producto y</b>	<b>datos técnicos.....</b>
3.2 Tuberías y conexiones.....	49		<b>59</b>
3.3 Llenado del filtro.....	49	8.1 Vistas ampliadas .....	59
3.4 Instalación de la tapa del filtro .....	51		

## GUARDE ESTAS INSTRUCCIONES

<b>REGISTRO DE INFORMACIÓN DEL EQUIPO</b>	
<b>FECHA DE INSTALACIÓN</b>	_____
<b>INFORMACIÓN DEL INSTALADOR</b>	_____
<b>LECTURA INICIAL DEL MANÓMETRO (CON FILTRO LIBRE)</b>	_____
<b>MODELO DE BOMBA</b>	<b>CABALLOS DE FUERZA</b> _____
<b>NOTAS</b>	_____
	_____
	_____



## Sección 1. Instrucciones importantes de seguridad

### LEA Y SIGA TODAS LAS INSTRUCCIONES

#### 1.1 Instrucciones de seguridad

#### ADVERTENCIA

**LA PRESIÓN OPERATIVA MÁXIMA DEL FILTRO ES DE 50 PSI.**

**NUNCA SOMETA EL FILTRO A NINGUNA PRESIÓN OPERATIVA QUE SUPERE LOS 50 PSI.**

- No conecte el sistema a un sistema de agua municipal sin regular ni a ninguna otra fuente externa de agua presurizada que produzca presiones de más de 35 PSI.
- Este filtro opera bajo alta presión. Cuando cualquier parte del sistema de circulación (es decir, filtro, bomba, válvulas, etc.) se somete a servicio, puede acceder aire al sistema y presurizarse cuando se reinicia el sistema.
- El aire presurizado en un sistema puede provocar la falla del producto o que la tapa del filtro salga expulsada, lo que puede resultar en la muerte, en lesiones personales graves o en daños materiales. Asegúrese de que no haya nada de aire en el sistema antes de operar el equipo.
- Para minimizar el riesgo de lesiones graves o de muerte, no se deben someter el filtro ni la bomba a la prueba de presurización de tuberías. Las normativas locales pueden requerir que el sistema de tuberías de la piscina sea sometido a una prueba de presión. Estos requisitos no suelen estar destinados a los equipos para piscinas como filtros o bombas. Los equipamientos para piscinas Jandy se someten a una prueba de presión en la fábrica. Sin embargo, si no se puede respetar esta **ADVERTENCIA** y las pruebas de presión del sistema de tuberías deben incluir el filtro y la bomba, **ASEGÚRESE DE CUMPLIR LAS SIGUIENTES INSTRUCCIONES DE SEGURIDAD.**
- Verifique todos los pernos, las abrazaderas, las tapas, los dispositivos de bloqueo y los accesorios del sistema para asegurarse de que estén correctamente instalados y asegurados antes de la prueba.
- LIBERE TODO EL AIRE del sistema antes de la prueba.
- La presión de agua para la prueba **NO DEBE EXCEDER LOS 35 PSI.**
- La temperatura del agua para la prueba **NO DEBE EXCEDER los 100 °F (38 °C).**
- Limite la prueba a 24 horas. Después de la prueba, verifique visualmente el sistema para asegurar que esté listo para su operación.

**AVISO:** Estos parámetros se aplican únicamente a los equipos Jandy. En el caso de equipos de otra marca, consulte al fabricante.

#### ADVERTENCIA

**Para evitar el riesgo de descarga eléctrica, que puede provocar lesiones graves o la muerte:**

- Asegúrese de que toda electricidad al sistema esté apagada antes de inspeccionar, llevar a cabo la resolución de problemas o aproximarse a cualquier válvula o tubería con fugas que podrían haber humedecido otros dispositivos eléctricos en el área circundante.
- El agua descargada de un filtro o de una válvula posicionados incorrectamente puede provocar un peligro eléctrico que puede causar la muerte, lesiones graves o daños materiales.
- La instalación incorrecta de la válvula cuadrante puede provocar la falla del producto o que el cuadrante del filtro salga expulsado, lo que puede resultar en la muerte, en lesiones personales graves o en daños materiales.
- Nunca intente ajustar o extraer la válvula cuadrante cuando la bomba está en funcionamiento o cuando hay presión en el sistema. Esto puede provocar la falla del producto o que el cuadrante del filtro salga expulsado, lo que puede resultar en la muerte, en lesiones personales graves o en daños materiales.

#### PRECAUCIÓN

- Mantenga el manómetro en buen estado de funcionamiento. El manómetro es el indicador principal de la manera en que funciona el filtro.
- La creación de niveles altos de presión puede provocar grietas y fugas en la cámara del tanque, con la posibilidad de daños materiales.
- Asegúrese de que todas las disposiciones de eliminación de aguas residuales cumplan los códigos locales, provinciales o nacionales. Durante cualquier proceso de retrolavado o drenaje, se descargarán 100 galones de agua, o más. No descargue el agua donde provocaría inundaciones o daños.
- Para evitar el daño en los laterales (rayos), agregue lentamente el medio del filtro hasta que los laterales estén completamente cubiertos. Consulte el manual de instalación y operación para obtener instrucciones completas de llenado con arena. Los laterales (rayos) agrietados o rotos provocarán que se descargue arena a la piscina.

#### PRECAUCIÓN

- Use el equipo solo en una instalación de piscina o hidromasaje.
- Antes de volver a posicionar las válvulas y antes de comenzar el armado, el desarmado, la extracción o el ajuste de la tapa, o cualquier otro servicio del sistema de circulación: (A) apague la bomba y cierre cualquier control automático para asegurarse de que el sistema no se inicie accidentalmente durante el servicio (B) abra la válvula de alivio de aire. (C) espere que se alivie la presión (el aire habrá dejado de fluir desde la válvula de alivio de aire).
- Al instalar la tapa roscada, siga la *sección Preparación, Instalación de la tapa del filtro* del presente manual.
- Después de finalizado el servicio en el sistema de circulación, siga la *sección Preparación y operación* del presente manual.
- Lleve a cabo el mantenimiento del sistema de circulación correctamente. Reemplace las piezas desgastadas o dañadas de inmediato.
- Asegúrese de que el filtro esté montado y posicionado correctamente según estas instrucciones de instalación.
- No realice pruebas de presión por arriba de los 35 PSI. Un profesional de piscinas capacitado debe llevar a cabo las pruebas de presión. Use el equipo solo en una instalación de piscina o hidromasaje.

## Sección 2. Primeros pasos

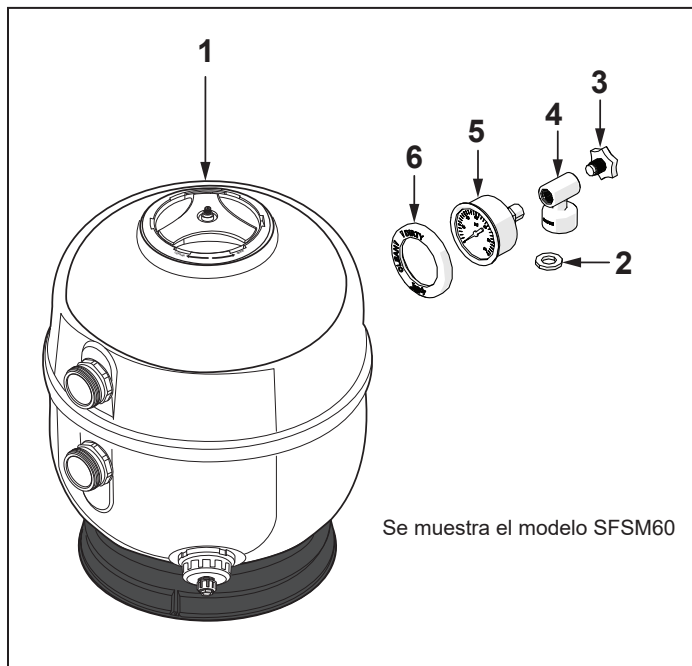
### 2.1 Contenido del embalaje

Desembale y verifique el contenido. Si faltan piezas o hay piezas dañadas, llame al servicio de soporte al cliente al 1-800-822-7933 o escriba a [productsupport@fluidra.com](mailto:productsupport@fluidra.com).

Elemento	Descripción	Cant.
1*	Tanque del filtro y tapa	1
2	Junta	1
3	Tapón de escape	1
4	“T”	1
5	Manómetro	1
6	Anillo a presión limpio/sucio	1

\* Las juntas tóricas vienen instaladas de fábrica. Inspeccione para asegurarse de que la junta tórica esté instalada y correctamente asentada antes de la instalación.

\*\*El tanque del filtro viene completamente armado con componentes internos laterales y del difusor. No se requiere el armado interno.



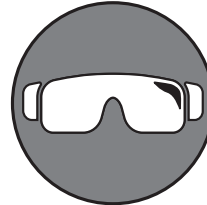
### 2.2 Compatibilidad con Jandy Valve®

Los filtros Jandy SFSM requieren una válvula de retrolavado compatible. Consulte la tabla debajo.

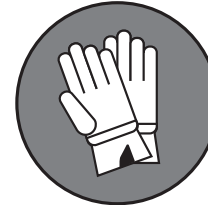
Tipo de válvula	N.º de pieza
Válvula multipuerto	BWVL-MPV-75
Válvula de corredera	BWVL-SLD-75
Válvula Never Lube®	BWVL-NVL-75

### 2.3 Herramientas y equipos requeridos

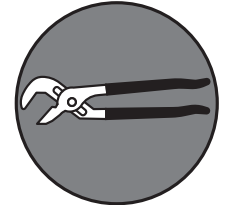
La lista de equipos siguiente debe estar presente y disponible para el instalador en el momento de la instalación. Si no se usan los equipos de seguridad y de instalación adecuados, pueden producirse lesiones personales o daños materiales.



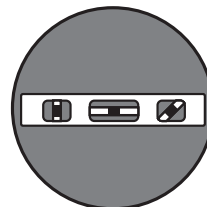
Gafas de seguridad



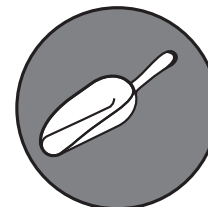
Guantes



Pinza ajustable



Nivel



Pala



Adhesivo para tubos de PVC

## 2.4 Especificaciones y dimensiones

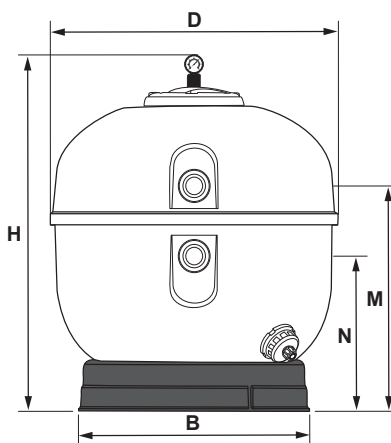
### 2.4.1 Especificaciones

Especificación	SFSM60		SFSM100 SFSM100F		SFSM120 SFSM120F		SFSM140 SFSM140F	
	ft <sup>2</sup>	m <sup>2</sup>	ft <sup>2</sup>	m <sup>2</sup>	ft <sup>2</sup>	m <sup>2</sup>	ft <sup>2</sup>	m <sup>2</sup>
Área de filtrado	3,15	0,29	5,00	0,46	5,90	0,55	7,06	0,65
Caudal máx.	gpm	lpm	gpm	lpm	gpm	lpm	gpm	lpm
	63	238	100	375	118	447	141	533
Tasa de filtrado máx.	20 gpm/ft <sup>2</sup> (815 l/min/m <sup>2</sup> )							
Caudal de retrolavado mín.	gpm	lpm	gpm	lpm	gpm	lpm	gpm	lpm
	47	177	75	284	88	335	105	397
Presión de trabajo máx.	psi	bar	psi	bar	psi	bar	psi	bar
	50	3,4	50	3,4	50	3,4	50	3,4
Capacidad en seis horas	gal	lit	gal	lit	gal	lit	gal	lit
	22,680	85,680	36,000	135,000	42,480	160,920	50,760	191,880
Presión de puesta en funcionamiento normal	psi	bar	psi	bar	psi	bar	psi	bar
	5 - 15	0,3 - 1	5 - 15	0,3 - 1	5-15	0,3-1	5-15	0,3-1

### 2.4.2 Dimensiones

	SFSM60	SFSM100	SFSM100F	SFSM120	SFSM120F	SFSM140	SFSM140F
Dim "H"	34" (86,3 cm)	41" (104,1 cm)	41" (104,1 cm)	47" (119,4 cm)	47" (119,4 cm)	49,7" (126,2 cm)	49,7" (126,2 cm)
Dim "D"	26,0" (66,0 cm)	32,5" (82,6 cm)	32,5" (82,6 cm)	35,5" (90,2 cm)	35,5" (90,2 cm)	37,5" (95,3 cm)	37,5" (95,3 cm)
Dim "N"	13,625" (34,6 cm)	16,5" (41,9 cm)	16,05" (40,7 cm)	18,75" (47,3 cm)	18,6" (47 cm)	18,75" (47,26 cm)	18,6" (47 cm)
Dim "M"	21,12" (53,6 cm)	24" (61 cm)	23,77" (60,3 cm)	26,41" (67 cm)	26,41" (67 cm)	26,41" (67 cm)	26,41" (67 cm)
Dim "B"	19,29" (49 cm)	24,6" (62,5 cm)	24,6" (62,5 cm)	27,75" (70,5 cm)	27,75" (70,5 cm)	27,75" (70,5 cm)	27,75" (70,5 cm)
Peso (vacío)	70 lb (31,8 kg)	75 lb (34,0 kg)	80 lb (36,3 kg)	143 lb (65 kg)	147 lb (67 kg)	147 lb (67 kg)	150 lb (68 kg)

Figura 1. Dimensiones del filtro



## 2.5 Funcionamiento

Los filtros de arena de alto caudal Jandy hacen pasar agua sin filtrar (sucio) a través de arena o de arena sobre una capa delgada de gravilla. El agua accede al filtro en la entrada. El agua sin filtrar, a continuación, pasa por los difusores y se desplaza hacia abajo a través del medio del filtro. Las partículas más grandes se depositan en la superficie del lecho de arena y las partículas más finas se capturan en los espacios entre los granos de arena. El agua filtrada (limpia), a continuación, regresa a la piscina a través de los laterales.

Con el tiempo, la suciedad y las partículas reunidas en el filtro harán más difícil que el agua pase, lo que provocará un aumento en la presión operativa del filtro. Cuando esto sucede, es necesario llevar a cabo un procedimiento de retrolavado.

**Recuerde llenar el filtro hasta la mitad con agua antes de cargar el medio del filtro.**

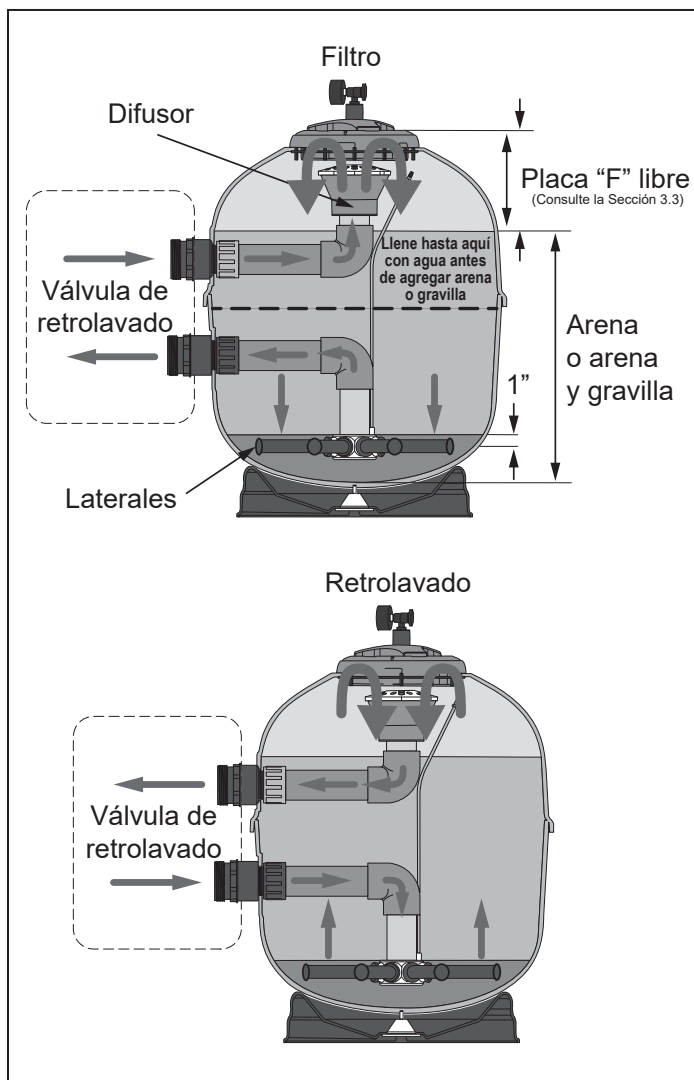


Figura 2. Funcionamiento del filtro y del retrolavado

Durante el retrolavado, el agua se dirige hacia el puerto de salida desde la bomba del filtro. A continuación, el agua se desplaza a través del medio del filtro y agita y extrae las partículas y los residuos. El agua del retrolavado se fuerza de regreso a través de los difusores y fuera del puerto de entrada, que se dirigirá al drenaje.

### ⚠ ADVERTENCIA

Use el equipo solo en una instalación de piscina o hidromasaje. No conecte el sistema a un sistema de agua municipal no regulado ni a ninguna otra fuente externa de agua presurizada que produzca presiones de más de 35 PSI.

## 2.6 Ubicación del equipo

Todos los componentes del sistema de recirculación de agua de la piscina deben instalarse en conformidad con las normas y con las instrucciones en vigencia en su condado o municipalidad. Debe tenerse mucho cuidado para asegurarse que el equipo esté ubicado de tal modo que pueda operarse y mantenerse con seguridad.

### 2.6.1 Base del equipo

El filtro, al igual que los demás componentes principales del sistema de recirculación del agua de la piscina, debe instalarse en una base nivelada y preparada que pueda soportar el peso del filtro y que admita el uso de pernos de anclaje para fijar el equipo en su lugar. Revise los códigos de construcción locales para conocer cualquier requisito adicional. De ser posible, el área de la base del equipo debe estar:

- Seca.
- Bien ventilada.
- Provista del drenaje suficiente.
- Fuera de la luz directa del sol.
- Ubicada fuera de aleros o voladizos sin canaletas pluviales.
- Alejada de los árboles o del follaje que podrían producir residuos de cualquier tipo que podrían obstruir, bloquear o afectar de alguna otra manera el funcionamiento regular y el mantenimiento del equipo.
- Tan cerca como resulte posible del cuerpo de agua principal. El largo adicional de tubo reduce la eficiencia debido a la fricción del tubo.

## 2.6.2 Ubicación del filtro

El filtro debe instalarse sobre una superficie firme, sólida, no absorbente y nivelada, y conforme a los requisitos de los códigos locales y de la jurisdicción con autoridad competente (AHJ). Los sistemas de filtro pueden pesar hasta 1100 libras. Utilice materiales de superficie de montaje con la clasificación nominal debida para evitar el riesgo de asentamiento, y nunca utilice arena para nivelar el filtro, porque la arena se lava. Revise los códigos de construcción locales para conocer los requisitos adicionales. En la base del equipo, el filtro debe posicionarse de modo que esté:

- A al menos 6 pulgadas de las paredes y del parquezudo para permitir el servicio.
- No ubicado debajo de ningún alero, voladizo, cubierta o parquezudo que pudiera evitar o impedir la extracción de la tapa del filtro y el servicio correcto o el reemplazo de los componentes internos.
- A al menos 5 pies de cualquier control o entrada eléctricos.
- En línea, lo mejor posible, con los demás equipos, para minimizar los giros de tubería que podrían resultar en una menor eficiencia.

- Con capacidad para dirigir de manera segura el drenaje de agua.
- Accesible para el drenaje y para la extracción correcta de la arena.
- Con capacidad de purgar aire y agua de manera segura lejos de otros equipos, controles eléctricos o conexiones.
- Fijo y no sujeto a movimientos.

Si el filtro debe ubicarse arriba del nivel de agua de la piscina, puede elevarse 2,5 ft sin afectar la eficiencia de la bomba. Se recomienda una válvula de retención en la línea de succión a la bomba.

Si el filtro se instalará por debajo del nivel de agua de la piscina, deben instalarse válvulas de aislamiento en las líneas de succión y de retorno para evitar el reflujos del agua de la piscina durante los servicios de rutina requeridos.

### ⚠ ADVERTENCIA

El agua descargada de un filtro o de una válvula posicionados incorrectamente puede provocar un peligro eléctrico que puede causar la muerte, lesiones graves o daños materiales.

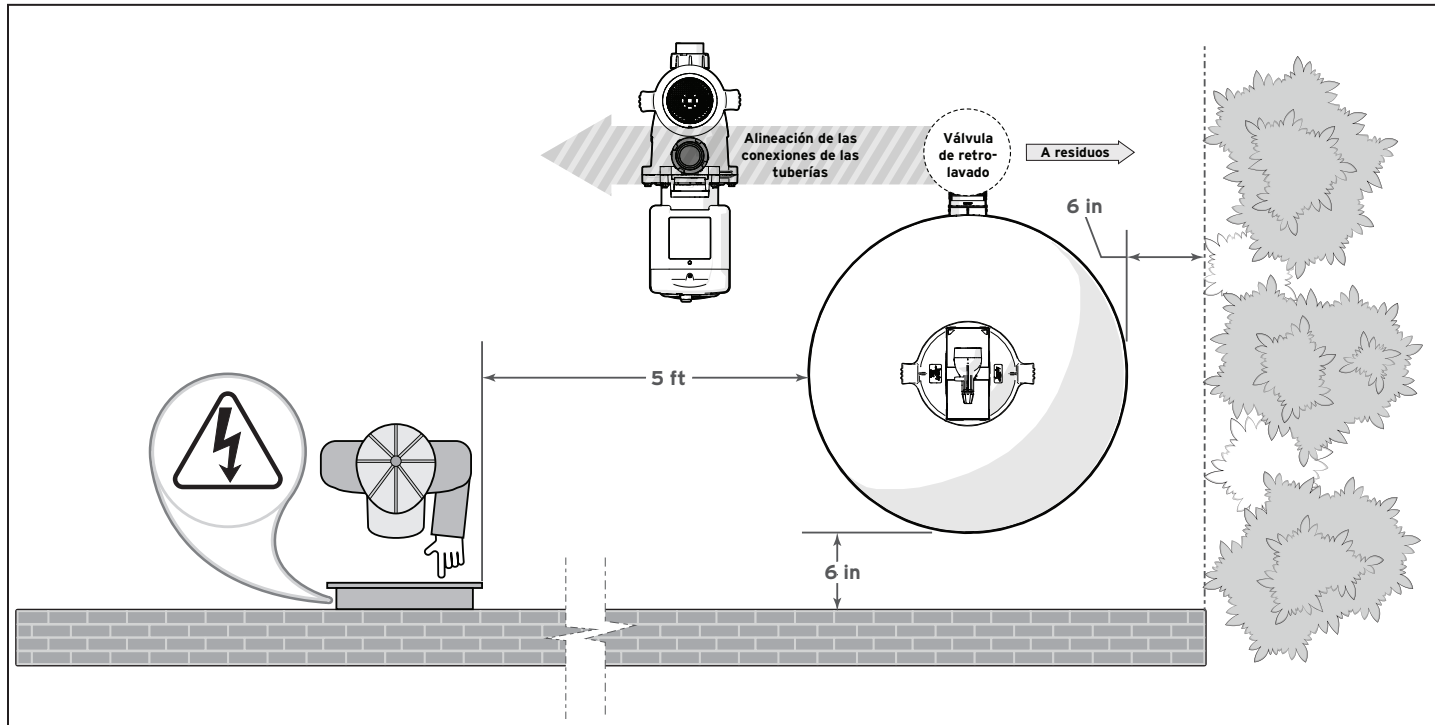


Figura 3. Requisitos de ubicación del filtro

### 2.6.3 Cómo anclar el filtro a la base del equipo

En algunas áreas, los códigos de construcción requieren que todos los aparatos se fijen de manera segura a la base del equipo para soportar las altas presiones del viento creadas por los huracanes. Siga todos los códigos y todas las normas locales. Los tornillos y las arandelas de anclaje no se incluyen con el filtro.

1. Después de colocar el filtro, perforo un orificio en cada uno de los tres (3) orificios de la base del filtro. (Debe obtenerse una broca para hormigón del tamaño correcto cuando se adquieren los tornillos para hormigón). Los tornillos para hormigón deben satisfacer todos y cada uno de los requisitos de los códigos de construcción aplicables.
2. Instale los tornillos y las arandelas para fijar el filtro en la base del equipo. Consulte la Figura 4. No apriete los tornillos en exceso.

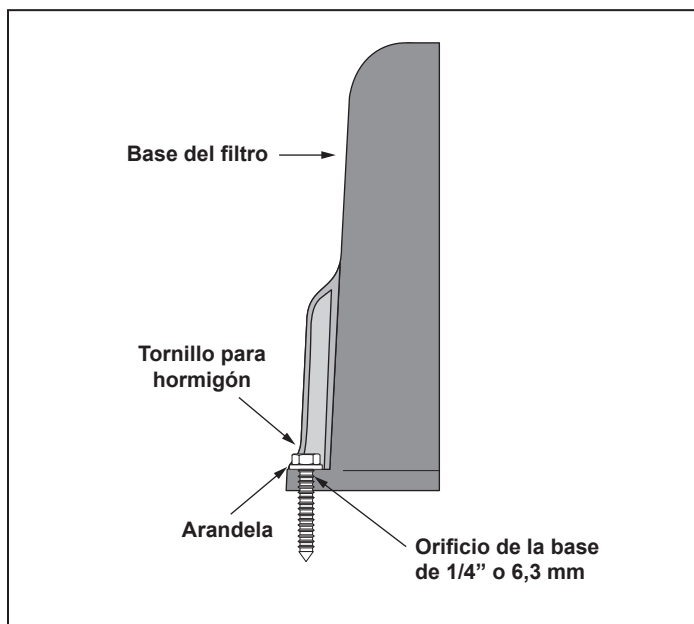


Figura 4. Instalación de los tornillos de anclaje

## Sección 3. Preparación

### 3.1 Instalación del manómetro

El manómetro está ubicado en la bolsa de accesorios. Monte el conjunto de manómetro/válvula de alivio de presión en la tapa del tanque del filtro:

1. Coloque la junta dentro de la conexión inferior de la "T".
2. Enrosque la "T" en el vástago roscado del conjunto de la tapa.
  - No es necesario usar cinta de PTFE.
3. Enrosque el tapón de escape en el orificio de la esquina más grande de la "T".
4. Envuelva las roscas del manómetro con cinta de PTFE y enrósquelo en la "T" hasta que esté impermeable. Asegúrese de que el manómetro esté orientado correctamente. No apriete en exceso el manómetro. Si se aprieta en exceso, la "T" podría quebrarse.
5. Coloque el anillo a presión en el manómetro después de instalar el filtro y de que la bomba esté en funcionamiento. Alinee la flecha "Clean" (Limpio) con la lectura de presión y presione el anillo sobre el manómetro. Si es necesario llevar a cabo ajustes, sostenga el manómetro con una mano mientras gira el anillo con la otra para impedir que el manómetro gire. El giro excesivo en cualquier dirección puede provocar fugas o quebrar el conector en "T".

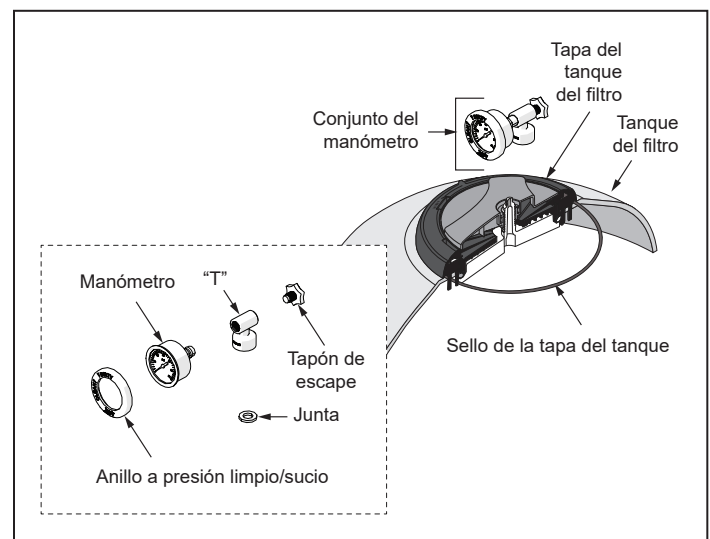


Figura 5. Instalación de la tapa y del manómetro

### **⚠ PRECAUCIÓN**

Mantenga el manómetro en buen estado de funcionamiento. El manómetro es el indicador principal de la manera en que funciona el filtro.



## 3.2 Tuberías y conexiones

### ⚠ ADVERTENCIA

Para evitar el peligro de choque eléctrico, que puede resultar en lesiones graves o la muerte, asegúrese de que toda energía eléctrica al sistema esté apagada antes de inspeccionar, llevar a cabo la resolución de problemas o aproximarse a cualquier válvula o tubería con fugas que podrían haber humedecido otros dispositivos eléctricos en el área circundante.

Este filtro opera bajo presión. Solo debe instalarse en el lado de descarga de un sistema de bomba.

Cuando la tapa se instala correctamente y el filtro se opera sin aire en el sistema de agua, el filtro operará de manera segura.

Si el sistema puede estar sujeto a una presión más alta que la clasificación nominal de presión de cualquier componente, instale una válvula de alivio de presión o un regulador de presión automáticos en cumplimiento de ASME® en el sistema de circulación. Establezca la válvula de alivio o el regulador de presión en la presión de trabajo mínima de cualquiera de los componentes del sistema.

NO INSTALE una válvula de cierre positiva en la tubería de salida del filtro. Si la bomba se opera con una válvula cerrada en la salida, podría producirse una condición explosiva. A veces, se requieren válvulas de aislamiento del equipo para las instalaciones donde el filtro y otros equipos están por debajo del nivel de agua de la piscina. Deben usarse válvulas de retención para permitir el mantenimiento del equipo sin vaciar la piscina. Si la aplicación requiere válvulas de cierre positivas o manuales, las **válvulas de cierre deben etiquetarse de manera bien visible con “ADVERTENCIA: Peligro explosivo. No hacer funcionar el sistema con la válvula cerrada”**.

Además, el uso de válvulas de aislamiento puede provocar una condición sin flujo en otros equipos. Si se hace funcionar cualquier equipo sin flujo, el equipo podría dañarse gravemente.

Los alimentadores químicos y los generadores de cloro deben instalarse corriente abajo del filtro y del calentador y debe instalarse una válvula de retención para evitar que el agua tratada retroceda de los generadores de cloro o alimentadores químicos.

### ⚠ PRECAUCIÓN

La operación a niveles altos de presión puede provocar grietas y fugas en la cámara del tanque, con la posibilidad de daños materiales.

Las tuberías de retrolavado (residuos) que descargan agua a una elevación de 10 ft o inferior a la superficie del agua de la piscina deben estar equipadas con un interruptor de vacío en las tuberías de residuos dentro de los 10 ft en caída vertical a partir de la elevación de la superficie de la piscina.

### 3.2.1 Conexiones de las tuberías

- Coloque el filtro en la base de hormigón, alineado con los tubos de entrada/salida. Consulte la Figura 3.
  - Para reducir la pérdida de presión, se recomienda usar un tubo igual o más grande que el diámetro de las salidas para la instalación del sistema.
- Instale la válvula de retrolavado.
  - Conecte las tuberías de entrada y salida en la válvula según se detalla en el manual de la válvula.
  - Para la mayor eficiencia, use la menor cantidad posible de conectores. Esto evitará una restricción en el flujo de agua.
  - Lleve a cabo todas las conexiones de las tuberías en conformidad con los códigos para tuberías y construcción locales.
  - Las conexiones de los filtros incluyen un sello de junta tórica. Para evitar daños en las juntas tóricas, use solo un lubricante con base de silicona en las juntas tóricas.
  - NO USE** compuesto para uniones de tubos, adhesivo ni solvente en las tuercas de acoplamiento de las uniones.
  - No use cinta de Teflon® ni sellador para tubos en ninguna unión.
  - Mantenga las tuberías apretadas y libres de fugas. Las fugas en la línea de succión de la bomba pueden provocar que quede aire atrapado en el tanque del filtro o que se pierda cebado en la bomba.
  - Soporte los tubos de entrada/salida de manera independiente para evitar tensiones indebidas en la válvula de retrolavado.

## 3.3 Llenado del filtro

Los filtros de arena de alto caudal Jandy en general usan arena como medio de filtrado, o de arena sobre una capa delgada de gravilla. Consulte la Figura 2. El uso de un medio de filtrado distinto de la arena también se describe en la sección *Preparación, Medios de filtrado alternativos*.

1. La densidad de la arena puede variar según la arena y la cantidad de humedad que incluye. Por este motivo, considere los pesos de la arena que se proporcionan en la Tabla 1 solo como una aproximación. La distancia de margen libre es la variable más importante y debe mantenerse.
  - Si se usa gravilla, cubrirá los laterales hasta aproximadamente 1" por arriba de los laterales. Consulte la Figura 2.
  - Todos los medios deben estar marcados como que satisfacen los requisitos de NSF® para los filtros de arena.
  - La arena debe ser arena de sílice n.º 20 (0,016"-0,021").
  - Si se usa gravilla, debe estar en el rango de diámetros de 1/8" a 1/4".
  - Antes de agregar un medio al filtro, asegúrese de que los laterales (rayos) estén atornillados firmemente en el centro y que el centro esté centrado en el tanque con los laterales (rayos) horizontales. Verifique que no haya laterales (rayos) dañados que podrían haberse roto accidentalmente debido a la manipulación durante el envío. Reemplace las piezas necesarias según resulte necesario.
2. Llene el filtro hasta la mitad con agua antes de cargar el medio del filtro. Consulte la Figura 2.
3. Cubra cada uno de los difusores con una bolsa plástica.
  - Debe tener cuidado de que el medio de filtrado no acceda a los difusores.
  - Tenga cuidado de no desenganchar la tubería de ventilación y la pantalla de ventilación. Consulte la Figura 7.

**⚠ PRECAUCIÓN**

Para evitar el daño en los laterales (rayos), agregue lentamente el medio del filtro hasta que los laterales estén completamente cubiertos. Los laterales (rayos) agrietados o rotos provocarán que se descargue arena a la piscina.

**⚠ ADVERTENCIA**

La pantalla de ventilación automática y la tubería deben posicionarse correctamente para evitar que quede aire atrapado dentro del filtro. El aire atrapado puede provocar la falla del producto o que la tapa del filtro salga expulsada, lo que puede resultar en la muerte, en lesiones personales graves o en daños materiales.

4. Use una pala pequeña y vuelque gravilla LENTAMENTE en el filtro.
5. Nivele la superficie de la gravilla a 1" por sobre los laterales.
6. Use una pala pequeña y vuelque la cantidad correcta de arena según el nivel que se indica en la Tabla 1.
7. Si solo usa arena, use una pala pequeña y vuélquela en el filtro LENTAMENTE hasta el nivel que se indica en la Tabla 1.
8. Extraiga las cubiertas de los difusores.
9. Verifique para asegurarse de que la tubería de ventilación esté posicionada correctamente en el tanque. Consulte la Figura 6.
10. Solo con agua, enjuague cualquier partícula de arena o suciedad de las roscas de la parte superior del tanque.
11. Asegúrese de que los difusores estén verticales y correctamente centrados.
12. Asegúrese de que la tubería de escape automático esté en su lugar (enroscada a través del difusor) y de que la pantalla de ventilación esté instalada en la parte superior de la tubería de ventilación. Consulte la Figura 7.

**Tabla 1. Nivel de arena requerido**

Modelo	Margen libre "F" (manual a NSF)	Solo arena	Medio en capas	
			Arena	Gravilla
<b>SFSM60</b>	12,4" 31,5 cm	375 lb 170,1 kg	300 lb 136,1 kg	75 lb 34,0 kg
<b>SFSM100</b> <b>SFSM100F</b>	15,0" 38,1 cm	625 lb 283,5 kg	500 lb 226,8 kg	150 lb 68,0 kg
<b>SFSM120</b> <b>SFSM120F</b>	13,5" 34,3 cm	1050 lb 476,3 kg	875 lb 396,9 kg	200 lb 90,7 kg
<b>SFSM140</b> <b>SFSM140F</b>	16,0" 40,6 cm	1200 lb 544,3 kg	1075 lb 487,6 kg	200 lb 90,7 kg

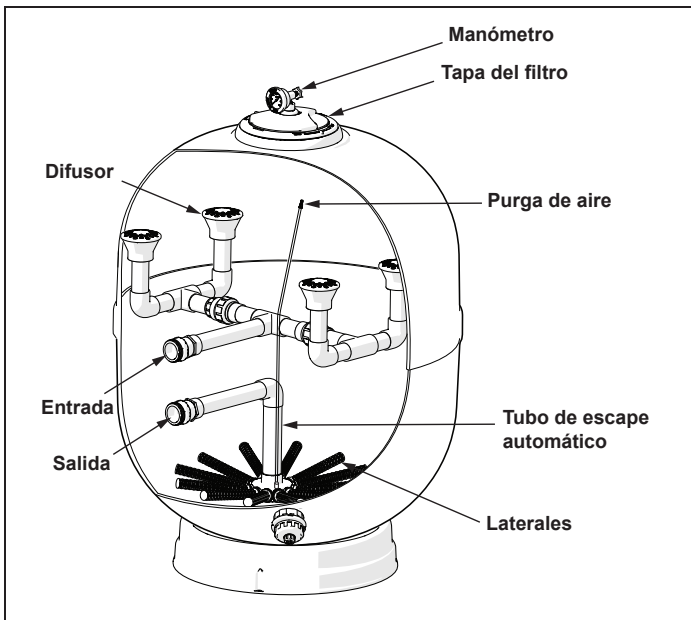


Figura 6. Alivio automático de aire

### 3.3.1 Medios de filtrado alternativos

Los filtros Jandy SFSM están diseñados para funcionar con cualquier medio de filtrado aprobado por NSF como alternativa a la arena. Siga las recomendaciones del fabricante de los medios para las instrucciones de aplicación y la orientación de Jandy sobre los requisitos de nivelación del margen libre (consulte la Tabla 1, *Nivel de arena requerido*). La orientación de Jandy sobre la nivelación del margen libre debe seguirse siempre.

## 3.4 Instalación de la tapa del filtro

### ⚠ PRECAUCIÓN

Asegúrese de que la junta tórica esté completamente limpia y lubricada con un lubricante que no sea con base de petróleo. Antes de someter el filtro a presión, asegúrese de que la manija se gire de la manera más apretada posible, a fin de lograr un sello correcto. Consulte la Figura 5.

### ⚠ ADVERTENCIA

Siga estas instrucciones con cuidado. La instalación incorrecta de la tapa puede provocar la falla del producto o que la tapa salga expulsada, lo que puede resultar en la muerte, en lesiones personales graves o en daños materiales.

### ⚠ ADVERTENCIA

Nunca intente ajustar ni extraer la tapa con la bomba en funcionamiento o si hay presión en el sistema. Esto puede provocar la falla del producto o que la tapa del filtro salga expulsada, lo que puede resultar en la muerte, en lesiones personales graves o en daños materiales.

### ⚠ ADVERTENCIA

Inspeccione la tapa y el tanque para determinar que no haya daños antes de instalar la tapa. Una tapa o un tanque dañados pueden provocar que la tapa salga expulsada, lo que puede resultar en la muerte, en lesiones personales graves o en daños materiales.

#### 3.4.1 Cómo extraer la tapa del filtro

1. Gire la rueda manual (A) en sentido antihorario hasta que se afloje. Consulte la Figura 7.
2. Presione hacia abajo la rueda manual firmemente para liberar la junta tórica. Consulte la Figura 8.
3. Antes de extraer la tapa, gírela 15° en sentido antihorario (B), consulte la Figura 7. Eleve toda la tapa por la rueda manual.

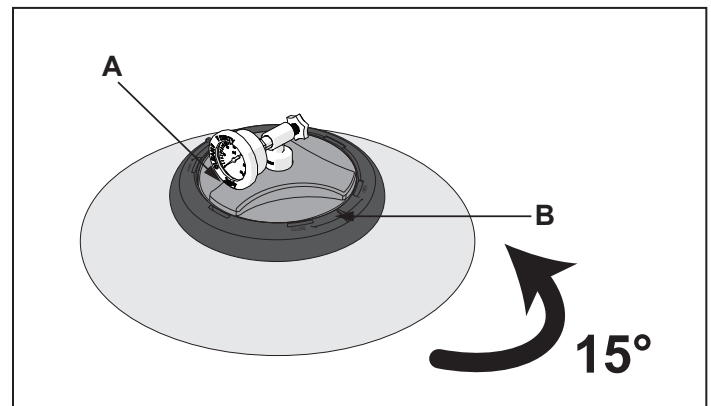


Figura 7. Afloje la rueda manual

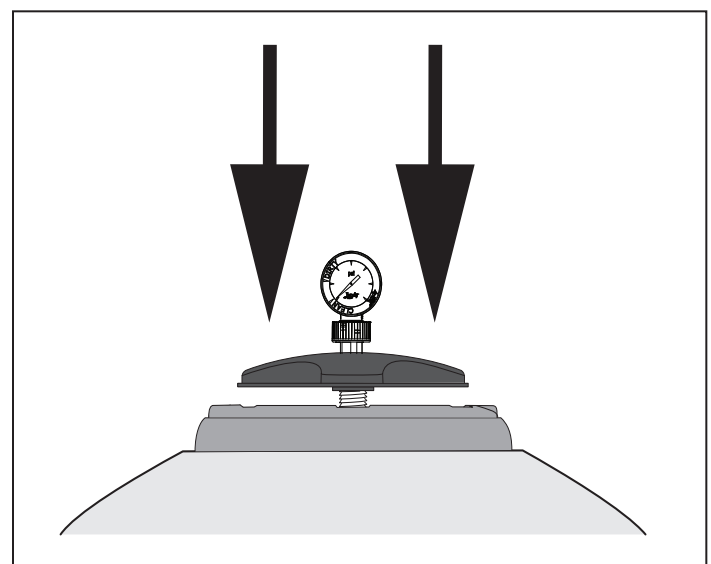


Figura 8. Presione para liberar la junta tórica

### 3.4.2 Cómo volver a colocar la tapa del filtro

1. Comience con la tapa completamente fuera del filtro para asegurar que la junta tórica no esté comprimida. Fig. 9
2. Inserte la tapa en el filtro hasta que quede en su lugar. Gire la tapa 15° en sentido horario (A) y, a continuación, gire la rueda manual (B) todo lo que se desplace en sentido horario. Fig. 10

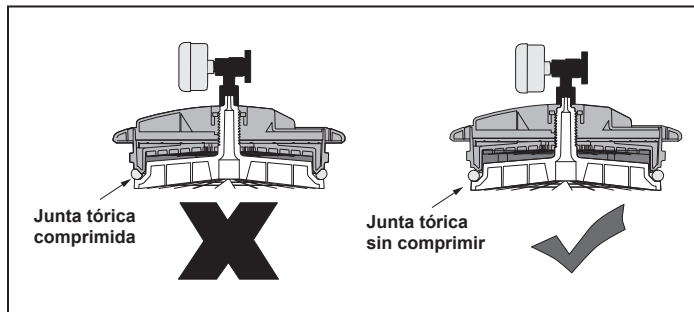


Figura 9. Asegúrese de que la junta tórica no esté comprimida

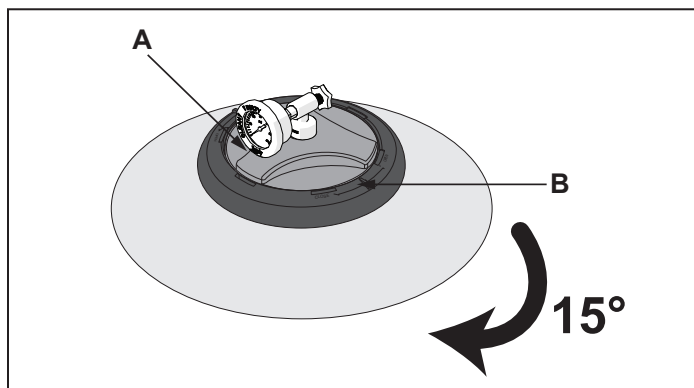


Figura 10. Apriete la tapa (A) y, a continuación, la rueda manual (B)

## Sección 4. Puesta en funcionamiento y operación

### 4.1 Puesta en funcionamiento

Esta sección se aplica a las piscinas nuevas y a las puestas en funcionamiento estacionales.

#### ⚠ ADVERTENCIA

NUNCA intente armar, desarmar ni ajustar el filtro cuando hay aire presurizado en el sistema. La puesta en funcionamiento de la bomba cuando hay aire presurizado en el sistema puede provocar la falla del producto o que la tapa del filtro salga expulsada, lo que puede provocar la muerte, lesiones personales graves o daños materiales.

#### ⚠ ADVERTENCIA

NUNCA ponga en funcionamiento la bomba cuando usted esté a 5 pies o menos del filtro. La puesta en funcionamiento de la bomba cuando hay aire presurizado en el sistema puede provocar la falla del producto o que la tapa del filtro salga expulsada, lo que puede provocar la muerte, lesiones personales graves o daños materiales.

1. Asegúrese de que la piscina esté limpia antes de llenarla con agua, a fin de evitar el daño de los componentes por residuos y partículas de suciedad en exceso.
  - Si la piscina es de hormigón nuevo o de gunita, o si tiene muchos residuos o mucho polvo de yeso que puede resultar difícil de quitar, se recomienda hacer funcionar el filtro en el modo "FILTER" (FILTRO) de filtrado durante 48 horas antes de llevar a cabo el procedimiento de retrolavado que se describe debajo.
2. Apague la bomba en el disyuntor.
3. Verifique que el tapón de drenaje esté en su lugar y que esté apretado.
4. Verifique que la tapa esté correctamente asentada y apretada. Consulte la Figura 5.
  - Asegúrese de que el conjunto de manómetro/válvula de alivio esté completamente instalado en la tapa.
5. Asegúrese de que la tubería de retrolavado esté abierta.
6. Establezca la válvula de retrolavado en posición "Backwash" (Retrolavado).
  - Si se usa una válvula multipuerto, establezca la manija en la posición "Backwash" (Retrolavado) indicada en el cuadrante.
  - Si se usa una válvula de corredera, empuje la manija hacia abajo hasta la posición de retrolavado y gire la manija para bloquearla en su lugar.
  - Para obtener detalles, revise el manual de instrucciones del fabricante de la válvula de retrolavado.
7. Restaure la energía a la bomba en el disyuntor.
8. Si la bomba no se ceba de inmediato, pueden llevarse a cabo los pasos siguientes para lograr el cebado.
  - De ser necesario, abra la tapa del canasto de la bomba.
  - Llene el canasto de la bomba con agua para cebar el sistema.

- Vuelva a colocar la tapa. (Es posible que deba hacer esto varias veces en las puestas en funcionamiento inicial y estacionales).
  - Si la bomba está ubicada por debajo del nivel del agua de la piscina, puede abrir la válvula de alivio de presión del filtro para cebar la bomba con agua.
  - Si la bomba está ubicada por arriba del nivel del agua, extraiga la tapa y llene el canasto con agua antes de poner en marcha la bomba.
  - Antes de volver a colocar la tapa de la bomba, verifique que no haya residuos alrededor del asiento de la junta tórica. Los residuos alrededor del asiento de la junta tórica de la tapa causan fugas en el sistema y hacen difícil cebar la bomba.
  - Apriete a mano la tapa para lograr un sello hermético.
  - No use ninguna herramienta para apretar la tapa.
  - Asegúrese de que la tapa esté fija.
  - Asegúrese de que todas las válvulas de aislamiento estén abiertas.
  - Asegúrese de que las uniones estén apretadas.
9. Gire el tornillo manual de la parte posterior de la carcasa del manómetro en sentido antihorario para abrir la válvula de alivio de aire.
- No extraiga el tornillo manual. Consulte la Figura 5.
10. Manténgase alejado del filtro y encienda la bomba del filtro.
11. La bomba del filtro se cebará y comenzará a llenar el filtro. El orificio de ventilación del manómetro expulsará aire.
- Si el orificio de ventilación no expulsa aire, apague la bomba del filtro.
  - Verifique con detenimiento que todas las válvulas de aislamiento estén abiertas.
  - Verifique para asegurarse de que la bomba del filtro se haya cebado correctamente y de que esté llenando el filtro con agua.
  - Verifique con detenimiento que el tornillo manual de la válvula de alivio se haya aflojado.
12. La ventilación de aire finalizó cuando se produce un flujo regular de agua en el orificio de ventilación.
13. También debe ver un flujo regular de agua que se descarga de la línea de drenaje de “residuos”.

14. Gire el tornillo manual de la parte posterior de la carcasa del manómetro en sentido horario para cerrar la válvula de alivio de aire hasta que el flujo de agua del orificio de ventilación se detenga.
15. Haga funcionar el filtro con la configuración de retrolavado de la válvula de retrolavado durante al menos 3 a 5 minutos o hasta que el agua circule transparente.

## 4.2 Operación

Este filtro funciona con diversas válvulas de retrolavado. Los procedimientos operativos que se describen abajo intentan abarcar el uso de las válvulas de retrolavado más comunes. Sin embargo, se recomienda siempre consultar el manual de la válvula de retrolavado que usa en el filtro.

### PRECAUCIÓN

Para evitar la posibilidad de lesiones personales y de daños en el equipo, siempre apague la bomba antes de cambiar la posición de una válvula de retrolavado.

### ADVERTENCIA

NUNCA opere el sistema del filtro a más de 50 psi de presión. Operar el sistema del filtro a más de 50 psi puede provocar la falla del producto o que la tapa del filtro salga expulsada, lo que puede provocar la muerte, lesiones personales graves o daños materiales.

### ADVERTENCIA

NO opere el filtro a temperaturas del agua de más de 104 °F (40 °C). Las temperaturas del agua por arriba de las recomendaciones del fabricante reducirán la vida útil del filtro y pueden anular la garantía.

Apague siempre la bomba del filtro cuando haga ajustes a la válvula de retrolavado.

1. Continúe el retrolavado inicial hasta que el agua de retrolavado esté transparente (de 3 a 5 minutos).
  - Consulte el paso 1 de la sección *Puesta en funcionamiento y operación, Puesta en funcionamiento*, si la piscina es nueva o contiene partículas importantes difíciles de extraer, como polvo de yeso.
2. Apague la bomba.
3. Si usa una válvula de retrolavado multipuerto con posición “Rinse” (Enjuagar), haga lo siguiente:
  - Coloque la manija de selección en posición “Rinse” (Enjuagar).
  - Inicie la bomba.



- Hágala funcionar durante 30 a 40 segundos. Esto ayuda a asentar el lecho de arena y extrae las partículas pequeñas.
  - Apague la bomba.
4. Establezca la válvula de retrolavado en posición de funcionamiento normal.
    - Si se usa una válvula multipuerto, establezca la manija en la posición "Filter" (Filtro) indicada en el cuadrante.
    - Si se usa una válvula de corredera, tire de la manija hacia arriba hasta la posición de filtro y gire la manija para bloquearla en su lugar.
    - Asegúrese de que todas las líneas de entrada y de retorno a la piscina estén abiertas para permitir el libre movimiento del agua.
    - Gire el tornillo manual de la parte posterior de la carcasa del manómetro en sentido antihorario para abrir la válvula de alivio de aire. No extraiga el tornillo manual. Consulte la Figura 5.
  5. Repita los pasos 10-14 de la sección *Puesta en funcionamiento y operación, Puesta en funcionamiento*.
  6. Después de que el manómetro se haya estabilizado, gire el anillo del medidor para que la flecha junto a la palabra "clean" (limpio) se alinee con la aguja del medidor.
    - Registre esta presión inicial de "CLEAN" (LIMPIO). Esta referencia será necesaria en el futuro.
    - A medida que el filtro limpie el agua y la arena comience a obstruirse, la presión aumentará.
    - El anillo indica una presión aumentada de entre 10 y 12 psi por arriba de la presión inicial original.
    - Cuando la aguja del manómetro se alinea con la flecha junto a la palabra "dirty" (sucio), es momento de limpiar el filtro.
    - Asegúrese de que la velocidad de la bomba permanezca igual al registrar la presión de "CLEAN" (LIMPIO) y "DIRTY" (SUCIO).

#### 4.2.1 Limpieza del filtro

Después de 48 horas de funcionamiento en una piscina nueva, el filtro debe retrolavarse para limpiar el polvo de yeso y los residuos de la piscina. No se recomienda retrolavar el filtro en una frecuencia establecida, por ejemplo, una vez por mes. Tanto la piscina, el clima y las condiciones de polvo como el uso de la piscina afectan la frecuencia de retrolavado necesaria.

El retrolavado demasiado frecuente de un filtro reducirá de hecho el desempeño del filtro al limitar su capacidad de capturar partículas más finas. No haga funcionar el sistema las 24 horas del día todos los días. Permitir que el filtro se detenga periódicamente permitirá que la "capa de lodo" de la superficie del lecho de arena se altere levemente. Esto reducirá la presión de funcionamiento levemente después del tiempo de inactividad.

Se requiere el retrolavado del filtro cuando la lectura del manómetro indica un aumento de 10 a 12 psi por arriba de la presión del filtro "CLEAN" (LIMPIO). Otro indicador de la necesidad de retrolavado es cuando el flujo de regreso a la piscina se reduce en un 30 % en comparación con el flujo del filtro limpio.

1. Apague la bomba.
2. Asegúrese de que la tubería de succión y de que la tubería de retrolavado estén abiertas para asegurar el flujo sin obstrucciones a través del filtro y de la línea de retrolavado.
3. Establezca la válvula de retrolavado en posición "Backwash" (Retrolavado).
  - Si se usa una válvula multipuerto, establezca la manija en la posición "Backwash" (Retrolavado) indicada en el cuadrante.
  - Si se usa una válvula de corredera, empuje la manija hacia abajo hasta la posición de retrolavado y gire la manija para bloquearla en su lugar.
4. Manténgase alejado del filtro e inicie la bomba.
5. Retrolave el filtro durante 3 a 5 minutos o hasta que el agua circule transparente.
6. Apague la bomba.
7. Si la válvula multipuerto tiene una posición "Rinse" (Enjuagar), haga lo siguiente:
  - Coloque la manija de selección en posición "Rinse" (Enjuagar).
  - Haga funcionar durante un minuto. Esto ayuda a asentar el lecho de arena.
  - Detenga la bomba.
8. Establezca la válvula de retrolavado en posición de funcionamiento normal.
  - Si se usa una válvula multipuerto, establezca la manija en la posición "Filter" (Filtro) indicada en el cuadrante.
  - Si se usa una válvula de corredera, tire de la manija hacia arriba hasta la posición de filtro y gire la manija para bloquearla en su lugar.



- Asegúrese de que todas las líneas de entrada y de retorno a la piscina estén abiertas para permitir el libre movimiento del agua.
  - Gire el tornillo manual de la parte posterior de la carcasa del manómetro en sentido antihorario para abrir la válvula de alivio de aire. No extraiga el tornillo manual. Consulte la Figura 5.
9. Repita los pasos 10-14 de la sección *Puesta en funcionamiento y operación, Puesta en funcionamiento*.
  10. Alinee el anillo del medidor en conformidad con el paso 6 de la sección *Puesta en funcionamiento y operación, Operación*.
  11. Si el manómetro, después del procedimiento de retrolavado, indica una diferencia de más de 5 psi por arriba de esa lectura, será necesario limpiar químicamente el lecho de arena. Consulte la próxima sección.

#### 4.2.2 Procedimiento de limpieza química

Los limpiadores químicos de los filtros de arena eliminan aceites, depósitos y óxido del lecho de arena cuando se los usa según las instrucciones siguientes para empapar durante 12 horas durante la noche. Siga estas instrucciones con cuidado. No permita que la solución limpiadora se bombee de regreso a la piscina.

1. Use un limpiador aprobado para los filtros de arena.
  - Los limpiadores aprobados deben estar disponibles en la tienda minorista de productos químicos para la piscina o en el servicio o proveedor de mantenimiento de piscinas.
2. De ser necesario, mezcle la solución adecuada según las instrucciones de etiquetado del fabricante.
3. Lleve a cabo el procedimiento de retrolavado según se describe en la sección *Limpieza del filtro*.
4. Cierre la bomba.
5. Si el filtro está instalado por debajo del nivel agua de la piscina, cierre las válvulas de aislamiento adecuadas para evitar que se vacíe la piscina.
6. Drene el agua del filtro. (Consulte la próxima sección).
7. Después de drenado el filtro, vuelva a colocar la tapa en el acople de drenaje.
8. Coloque la válvula de retrolavado en posición “Backwash” (Retrolavado).
  - Asegúrese de que las líneas de retrolavado estén abiertas.

9. Introduzca limpiador en el sistema de agua.
  - Siga todas las instrucciones de uso y de seguridad del fabricante del limpiador de filtros.
10. Siga los pasos 9-13 de la sección *Puesta en funcionamiento y operación, Puesta en funcionamiento*, para llenar el tranque del filtro.
11. Apague la bomba.
12. Deje la válvula del filtro en posición “Backwash” (Retrolavado).
  - Tenga precaución para no introducir solución de limpieza en el cuerpo principal de agua de la piscina.
13. Desconecte la energía en el disyuntor.
14. Permita que el filtro se asiente durante 12 horas.
15. Después de 12 horas de empapado, arme el disyuntor y siga las instrucciones de la sección *Limpieza del filtro*.

Después de la limpieza química, el filtro debe regresar muy cerca de la lectura de presión “Clean” (Limpio) del manómetro observada en el momento de la instalación original con arena limpia. De no ser así, apunte esta nueva lectura de presión “Clean” (Limpio) para referencia futura.

Gire el anillo del conjunto del medidor del filtro para que la flecha junto a la palabra “Clean” (Limpio) esté alineada con la aguja.

#### 4.3 Cómo drenar el filtro y extraer la arena del filtro

Por motivos de mantenimiento o reparación, puede resultar necesario drenar agua del filtro o extraer completamente la arena del filtro. El drenaje del filtro permitirá extraer el agua y la arena.

Cualquier tubería adicional instalada en el drenaje de agua debe ser extraíble para facilitar la extracción de los demás componentes de drenaje. Deje espacio suficiente para la extracción de la arena del filtro. Consulte la Figura 11.

#### PRECAUCIÓN

Asegúrese de que todas las disposiciones de eliminación de aguas residuales cumplan los códigos locales, estatales o nacionales. Durante cualquier proceso de retrolavado o drenaje, se descargarán 100 galones de agua de la piscina, o más. No descargue el agua donde provocaría inundaciones o daños.

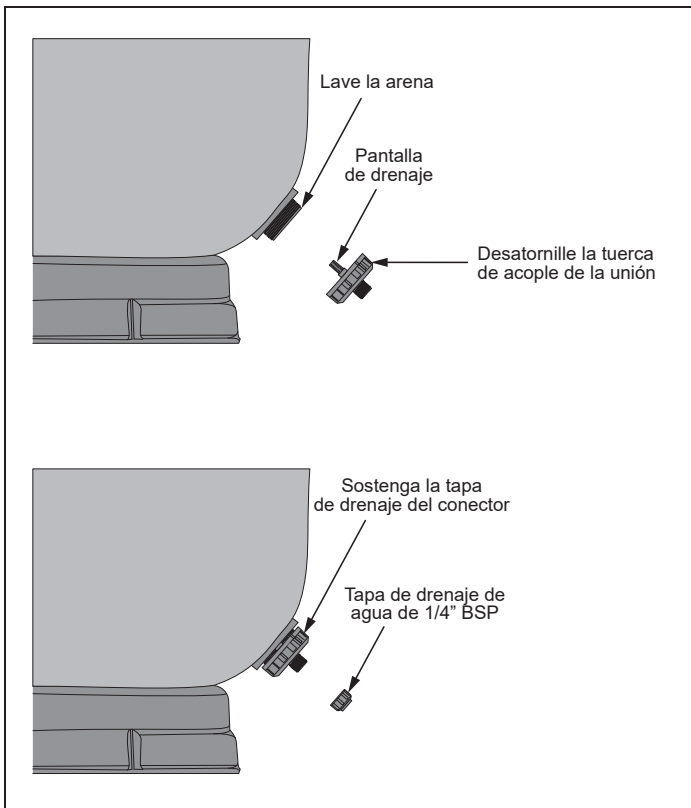


Figura 11. Válvula de drenaje

#### 4.3.1 Drenaje del filtro

1. Cierre la bomba.
2. Si el filtro está instalado por debajo del nivel agua de la piscina, cierre las válvulas de aislamiento adecuadas para evitar que se vacíe la piscina.
3. Afloje y extraiga la tapa de drenaje.
  - Tenga precaución de no extraviar el tapón de drenaje.
4. Permita que el filtro drene toda el agua necesaria.
5. Vuelva a colocar el tapón y la tapa.

#### 4.3.2 Extracción de la arena del filtro

1. Siga el procedimiento de drenaje que se describe en la sección *Drenaje del filtro*.
2. Extraiga la tapa del filtro.
  - Antes de intentar aflojar o extraer la tapa, APAGUE la bomba y ABRA la válvula de alivio de aire de la parte superior del filtro.
  - NO intente aflojar o extraer la tapa con la bomba en funcionamiento o si el manómetro del filtro indica que hay presión en el filtro.
  - En primer lugar, intente extraer la tapa a mano con las manijas.

- Si no es posible extraer la tapa a mano, use una maza o un martillo blando para golpear alternadamente las manijas a fin de aflojar la tapa.
  - Tenga precaución de no dañar la junta tórica o el conjunto del manómetro.
3. Con una pala, acceda al filtro y extraiga toda la arena posible.
    - Tenga precaución de que no ingrese arena en los difusores.
    - Es posible cubrir los difusores con una bolsa plástica para evitar que ingrese arena.
  4. Si está disponible, use una aspiradora húmeda/seca para extraer toda la arena posible.
  5. Afloje y extraiga la tuerca de acoplamiento universal.
  6. Extraiga cuidadosamente la pantalla de drenaje.
  7. Tenga precaución de no extraviar la junta tórica.
  8. Use agua para enjuagar el resto del medio del filtro del tanque del filtro.
    - El drenaje del tanque más grande es un acople de unión universal. La extracción de la arena es más fácil sin restricciones adicionales en este acople. Sin embargo, si se desea que una pieza corta de tubería dirija la arena que se enjuaga en dirección contraria de la base del filtro, es posible usar un apéndice universal y una tuerca de unión. Consulte la Figura 11.

## Sección 5. Mantenimiento

### 5.1 Mantenimiento general

- La parte exterior del filtro puede limpiarse con un detergente suave y agua. Enjuáguelo con agua.
- No use limpiadores ni solventes fuertes para limpiar el filtro. Los solventes dañan los componentes plásticos del filtro.
- Verifique la presión durante el funcionamiento al menos una vez por semana.
- Verifique que no haya residuos en el canasto del succionador ni en el canasto del elemento de filtrado de la bomba con frecuencia y, si los hay, extraígalos.
- Verifique que no haya fugas en la bomba ni en el filtro. Si se desarrollan fugas, apague la bomba y llame a un técnico de servicio de piscinas calificado.

- Los letreros o las etiquetas de seguridad del producto deben inspeccionarse periódicamente y el usuario del producto debe limpiarlos según resulte necesario para mantener una buena legibilidad desde una distancia de visión segura.
- El usuario del producto debe reemplazar los letreros o las etiquetas de seguridad del producto cuando una persona, incluso con visión corregida, ya no puede leer el texto a una distancia de visión segura del peligro.
- En los casos en que el producto tiene una vida útil esperada extensa o está expuesto a condiciones extremas, el usuario del producto debe comunicarse con el fabricante del producto o con otra fuente para determinar medios de obtener señales o etiquetas de reemplazo.
- La instalación de nuevos letreros o etiquetas debe cumplir el procedimiento recomendado del fabricante de los letreros o las etiquetas.

## 5.2 Manómetro

- Durante el funcionamiento del sistema de filtrado, verifique el conjunto de manómetro/alivio de aire para determinar que no tenga fugas de aire ni de agua al menos una vez por semana.
- Mantenga el manómetro en buen estado de funcionamiento. Si sospecha que hay un problema con el medidor, Jandy® le recomienda que se comunique con un técnico de servicio calificado para llevar a cabo trabajos en el sistema del filtro/de la bomba.

## 5.3 Preparación para el invierno

1. Retrolave el filtro. Consulte la sección *Limpieza del filtro*.
2. APAGUE la bomba en los disyuntores.
3. Abra la válvula de alivio de aire de la parte superior del filtro.
4. Extraiga la tapa del drenaje de la base del filtro para asegurarse de que el tanque esté vacío. Guarde la tapa de drenaje y el sello en un lugar seguro. No vuelva a instalarla hasta la temporada siguiente en el momento de puesta en funcionamiento.

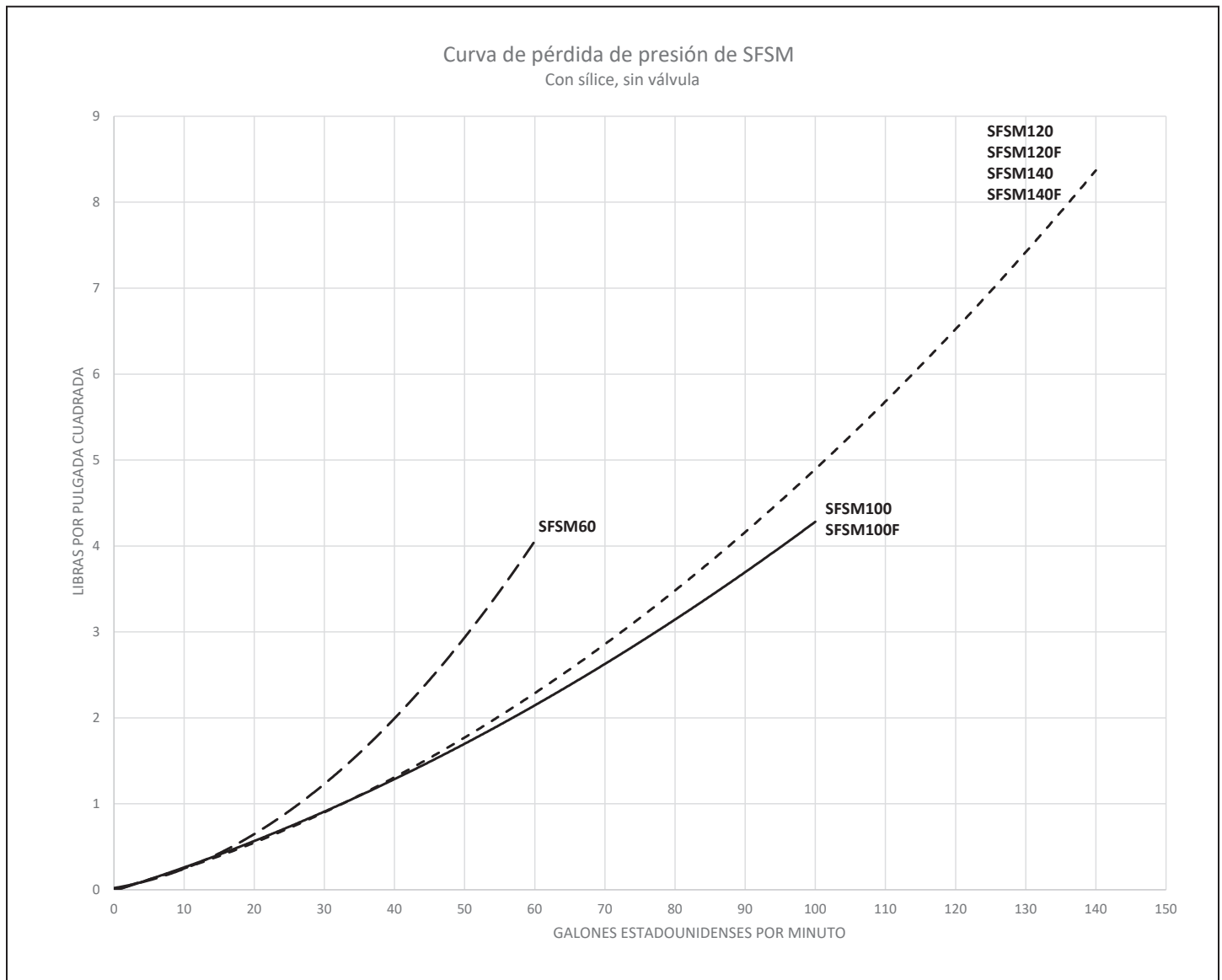
5. Drene toda el agua de las tuberías del sistema.
  - Si usa una válvula de retrolavado multipuerto con posición “Winterize” (Preparación para el invierno), mueva la palanca de selección a esa posición. La posición “Winterize” (Preparación para el invierno) deja todos los puertos parcialmente abiertos y, en algunas válvulas de retrolavado, también mueve el sello a una posición relajada.
6. Cubra el sistema con una lona o lámina plástica para protegerlo del clima. No envuelva los motores eléctricos en plástico.

## Sección 6. Resolución de problemas

- Para obtener una lista de problemas comunes y sus soluciones, consulte la guía para la resolución de problemas.
- Jandy le recomienda que llame a un técnico de servicio calificado para llevar a cabo trabajos en el sistema del filtro/de la bomba.
- Para ubicar una empresa de servicio cercana, visite [Jandy.com](http://Jandy.com). Para obtener soporte técnico, llame al 800-822-7933 o escriba a [productsupport@Jandy.com](mailto:productsupport@Jandy.com).

## Sección 7. Desempeño

Tabla 2. Curva de pérdida de presión de los filtros Jandy serie SFSM

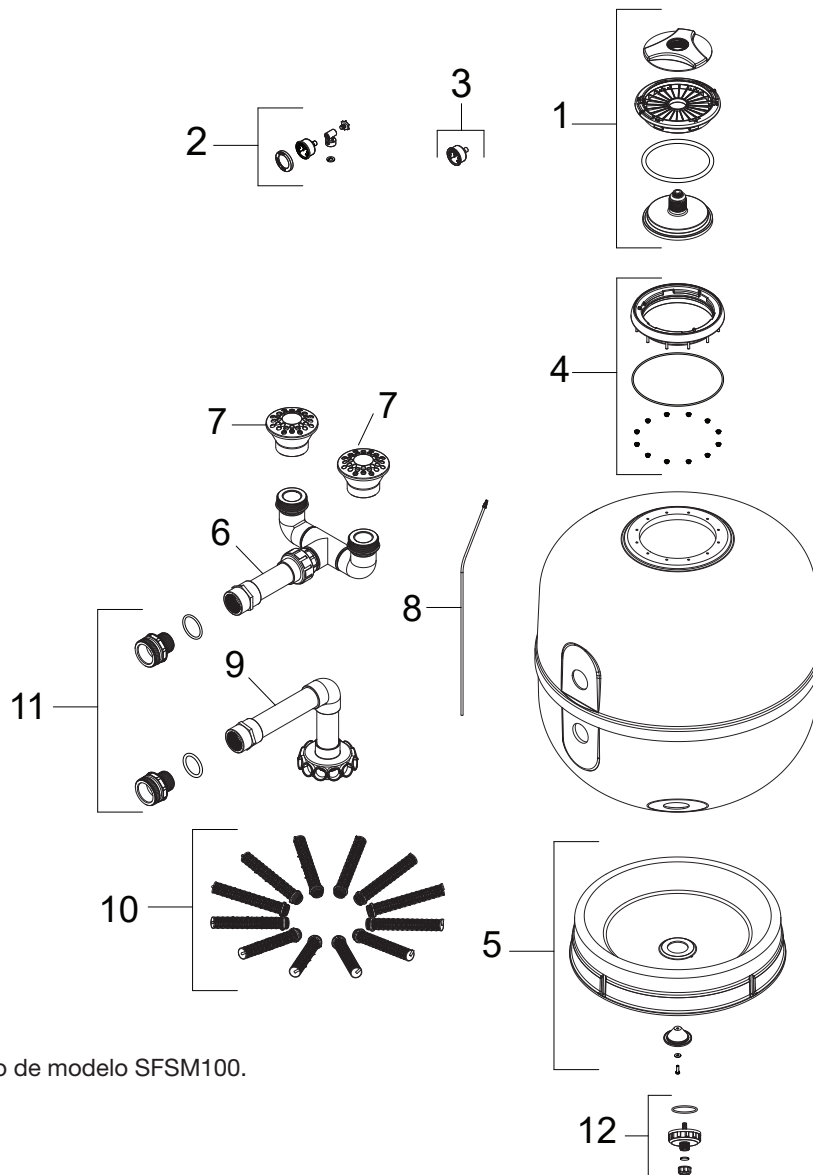


## Sección 8. Especificaciones del producto y datos técnicos

Para obtener una lista completa de los repuestos, visite [www.Jandy.com](http://www.Jandy.com) o comuníquese con el área de soporte técnico al 1.800.822.7933 o escriba a [productsupport@fluidra.com](mailto:productsupport@fluidra.com)  
 En Canadá, llame al 1.888.647.4004 o escriba a [service.canada@fluidra.com](mailto:service.canada@fluidra.com)

### 8.1 Vistas ampliadas

- |   |   |
|---|---|
| 1. Conjunto de la tapa                      | 7. Difusor  |
| 2. Conjunto del medidor y alivio de presión | 8. Conjunto del tubo de respiración                   |
| 3. Manómetro                                | 9. Tuberías de salida                                 |
| 4. Anillo de bloqueo con tornillería        | 10. Laterales   |
| 5. Base del filtro                          | 11. Conector de mamparas con juntas tóricas y uniones |
| 6. Tuberías de entrada                      | 12. Tapa de drenaje                                   |



**NOTA:** Se muestra el número de modelo SFSM100.

Figura 12. Vista ampliada del filtro SFSM (los modelos pueden diferir levemente de la ilustración)

**Zodiac Pool Systems LLC**  
2882 Whiptail Loop # 100  
Carlsbad, CA 92010, EE. UU.  
Jandy.com | 1.800.822.7933

**Zodiac Pool Systems Canada, Inc.**  
2-3365 Mainway  
Burlington, ON L7M 1A6, Canadá  
Jandy.ca | 1.800.822.7933

**Una marca de Fluidra**

©2022 Zodiac Pool Systems LLC. Todos los derechos reservados. ZODIAC® es una marca comercial registrada de Zodiac International, S.A.S.U., utilizada bajo licencia. Todas las demás marcas comerciales son propiedad de sus respectivos dueños.  
28342S4E200\_REVD

