



Commercial SFSM Series Vertical Sand Filters

High-Rate Sand Filters Designed For High-Use Pools

The Jandy lineup of commercial side-mount vertical sand filters offers exceptional filtration for superior water clarity in high-demand, commercial pool applications.



Materials and Design Specs

Filter Body

- Laminated FRP construction with UV protection
- Smooth outer finish

Connections

- SFSM-60, -100
 - Jandy standard 2.5" x 2" unions (not included)
- SFSM-100F, -120F, -140F
 - 3 inch ANSI-150 flange connections (not included)
- Industry-standard plumbing geometry

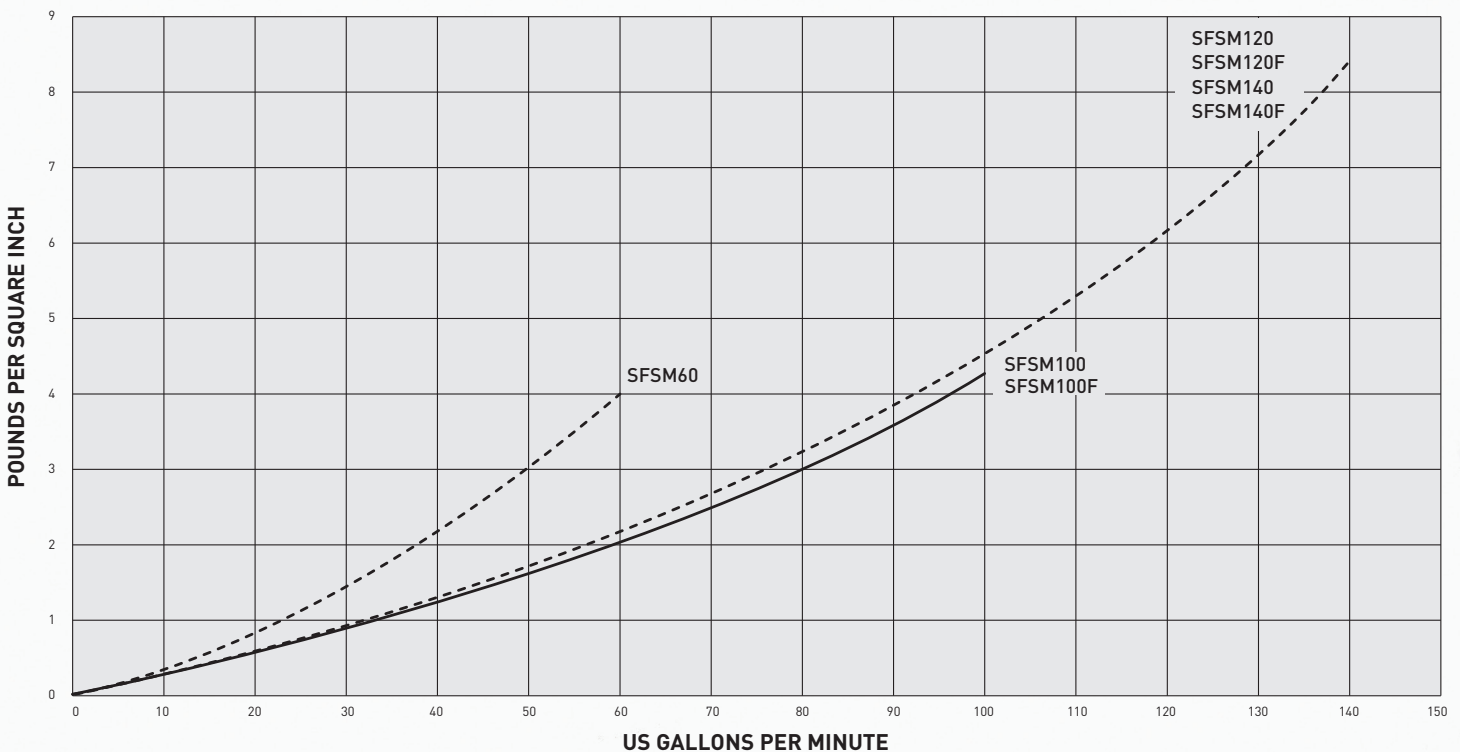
Lid Assembly

- High-quality ABS and GFN2 materials with UV protection
- Easy-to-open adjustable-compression radial seal design
- Oil-filled pressure gauge

Base

- PP3 construction with UV protection
- Ample room for anchors

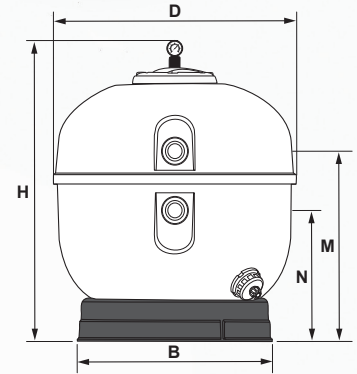
SFSM PRESSURE LOSS CURVE
With Silica, No Valve





Filter Dimensions

	SFSM60	SFSM100	SFSM100F	SFSM120	SFSM120F	SFSM140	SFSM140F
Dim "H"	34" (86.3 cm)	41" (104.1 cm)	41" (104.1 cm)	47" (119.4 cm)	47" (119.4 cm)	49.7" (126.2 cm)	49.7" (126.2 cm)
Dim "D"	26.0" (66.0 cm)	32.5" (82.6 cm)	32.5" (82.6 cm)	35.5" (90.2 cm)	35.5" (90.2 cm)	37.5" (95.3 cm)	37.5" (95.3 cm)
Dim "N"	13.625" (34.6 cm)	16.5" (41.9 cm)	16.05" (40.7 cm)	18.75" (47.3 cm)	18.6" (47 cm)	18.75" (47.26 cm)	18.6" (47 cm)
Dim "M"	21.12" (53.6 cm)	24" (61 cm)	23.77" (60.3 cm)	26.41" (67 cm)	26.41" (67 cm)	26.41" (67 cm)	26.41" (67 cm)
Dim "B"	19.29" (49 cm)	24.6" (62.5 cm)	24.6" (62.5 cm)	27.75" (70.5 cm)	27.75" (70.5 cm)	27.75" (70.5 cm)	27.75" (70.5 cm)
Weight (empty)	70 lbs (31.8 kg)	75 lbs (34.0 kg)	80 lbs (36.3 kg)	143 lbs (65 kg)	147 lbs (67 kg)	147 lbs (67 kg)	150 lbs (68 kg)



2.4.1 Specifications

Specification	SFSM60		SFSM100 SFSM100F		SFSM120 SFSM120F		SFSM140 SFSM140F	
	ft ²	m ²	ft ²	m ²	ft ²	m ²	ft ²	m ²
Filtration Area	3.15	0.29	5.00	0.46	5.90	0.55	7.06	0.65
Max Flow Rate	gpm	lpm	gpm	lpm	gpm	lpm	gpm	lpm
	63	238	100	375	118	447	141	533

Max Filtration Rate

20 gpm/ft² (815 l/min/m²)

Backwash Flow Rate Min.	gpm	lpm	gpm	lpm	gpm	lpm	gpm	lpm
	47	177	75	284	88	335	105	397
Max Working Pressure	psi	bar	psi	bar	psi	bar	psi	bar
	50	3.4	50	3.4	50	3.4	50	3.4
Six Hour Capacity	gal	lit	gal	lit	gal	lit	gal	lit
	22,680	85,680	36,000	135,000	42,480	160,920	50,760	191,880
Normal Startup Pressure	psi	bar	psi	bar	psi	bar	psi	bar
	5 - 15	0.3 - 1	5 - 15	0.3 - 1	5-15	0.3-1	5-15	0.3-1

Required Sand Level Table

	Freeboard "F" (Manual to NSF)	Sand Only	Layered Media	
			Pea Gravel	Sand
SFSM60	12.4" 31.5 cm	376 lbs 171 kg	58 lbs 27 kg	318 lbs 144 kg
SFSM100 SFSM100F	15" 38.1 cm	679 lbs 308 kg	120 lbs 55 kg	558 lbs 253 kg
SFSM120 SFSM120F	13.5" 34.3 cm	1166 lbs 529 kg	163 lbs 74 kg	1003 lbs 455 kg
SFSM140 SFSM140F	16.0" 40.6 cm	1256 lbs 570 kg	173 lbs 78 kg	1083 lbs 491 kg

Plumbing Configuration and Freeboard Table

