

FLOWSTAR® 2-WAY VALVE, 2" SOCKET X 2.5" SPIGOT



Tough maintenance-free valves



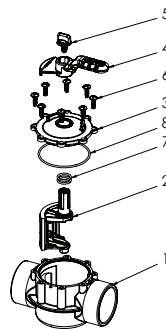
FEATURES

- Made from durable CPVC
- Easy to install and operate
- Never requires lubrication
- Highly resistant to chlorine
- Minimal hydraulic loss
- Adjustable-stop feature allows for flow adjustment
- Available with rubberized handle for comfortable grip or standard plastic handle
- 12 per case

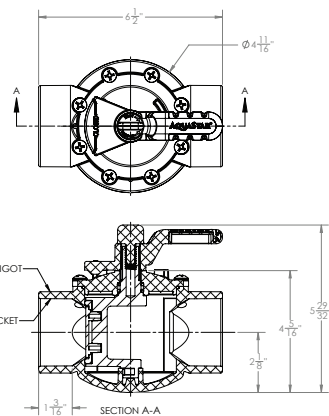
NEW



Part # AV2W20C-R (Rubberized Handle)
Part # AV2W20C-P (Plastic Handle)



1. Body, 2-Way, 2" SOC. x 2.5" SPG.
2. Diverter Valve
3. Cover
4. Handle Valve
5. Thumb Screw
6. #1/4 x 3/4" LG. Pan Head Phillips, Type A Screw, 316 SS, Qty 8
7. O-Ring, #116, EPDM, Qty 2
8. O-Ring, #152, EPDM



FLOWSTAR® DIVERTER REPLACEMENT KIT



Tough maintenance-free valves

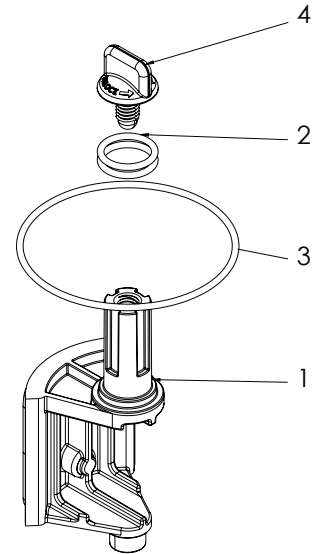


NEW



Part #
AV2003
12 per case

1. Diverter Valve
2. O-Ring, #116, EPDM
3. O-Ring, #152, EPDM
4. Thumb Screw



FLOWSTAR® REPLACEMENT CHECK VALVE KIT



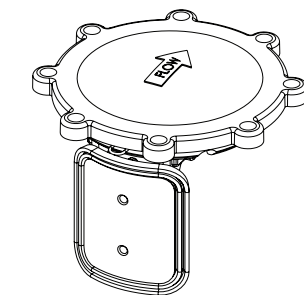
Durable and dependable check valves



NEW



Part #
AV2004
12 per case



1. Cover
2. Flapper Assembly
3. Pin
4. Spring
5. O-Ring, #152, EPDM

