

FLOWSTAR® CHECK VALVE, 1.5" SOCKET X 2" SPIGOT



Durable and dependable check valves

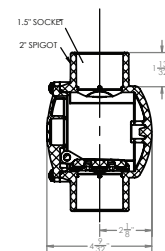
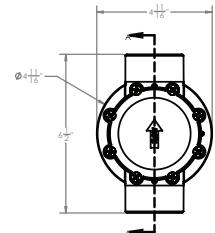
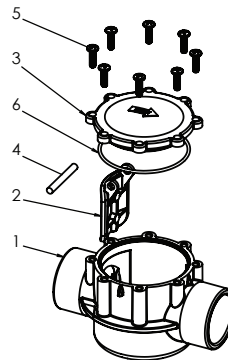


FEATURES

- Made from durable CPVC
- Minimal hydraulic loss
- Clear lid for easy inspection
- Easy to disassemble when clearing debris
- Corrosion resistant stainless steel swing
- Highly resistant to chlorine
- Lifetime warranty on valve housing
- Working Pressure: 50 PSIG
- 12 per case



Part # AVC15C



1. 2-Way, 1.5" Soc. x 2" Spg. Valve
2. Flapper Assembly
3. Cover
4. Pin
5. #14 x 3/4" Lg. Pan Head Phillips, Type A Screw, 316SS, Qty 8
6. O-Ring, #152, EPDM



**LIFETIME
WARRANTY**

FLOWSTAR® DIVERTER REPLACEMENT KIT



Tough maintenance-free valves

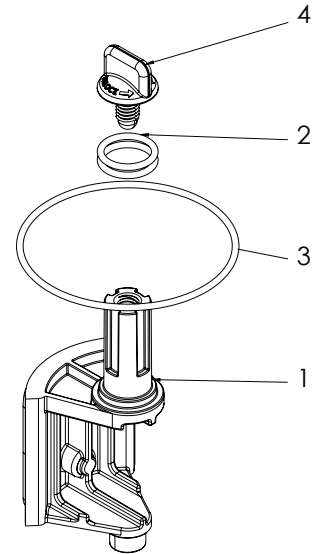


NEW



Part #
AV2003
12 per case

1. Diverter Valve
2. O-Ring, #116, EPDM
3. O-Ring, #152, EPDM
4. Thumb Screw



FLOWSTAR® REPLACEMENT CHECK VALVE KIT



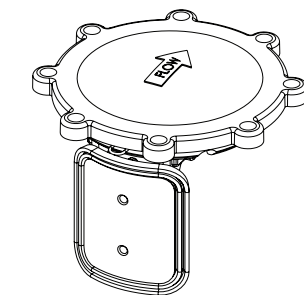
Durable and dependable check valves



NEW



Part #
AV2004
12 per case



1. Cover
2. Flapper Assembly
3. Pin
4. Spring
5. O-Ring, #152, EPDM

