

FLOWSTAR® DIVERTER REPLACEMENT KIT



Tough maintenance-free valves

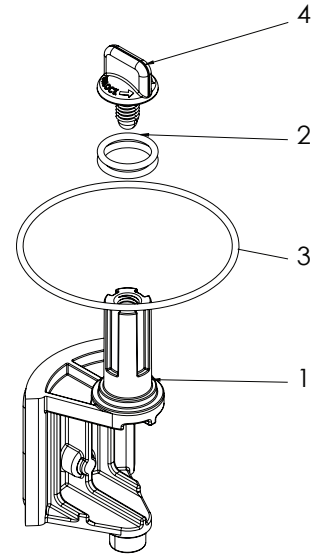


NEW



Part #
AV2003
12 per case

1. Diverter Valve
2. O-Ring, #116, EPDM
3. O-Ring, #152, EPDM
4. Thumb Screw



FLOWSTAR® REPLACEMENT CHECK VALVE KIT



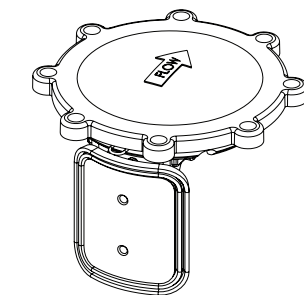
Durable and dependable check valves



NEW



Part #
AV2004
12 per case



1. Cover
2. Flapper Assembly
3. Pin
4. Spring
5. O-Ring, #152, EPDM

