



FLOWSTAR® VALVES INSTRUCTIONS

FOR MODELS: AV2W15C-X, AV2W20C-X, AV3W15C-X, and AV3W20C-X

READ AND FOLLOW ALL INSTRUCTIONS

WARNING: FOR YOUR SAFETY, this product must be installed and serviced by a licensed and qualified pool equipment contractor in the jurisdiction where it will be used, if such requirements exist. The contractor must be a professional with sufficient experience in pool equipment installation and maintenance to ensure that all instructions in this manual are followed correctly. Before installing this product, carefully read and follow all warning notices and instructions provided. Failure to do so may result in property damage, personal injury, or death. Improper installation and/or operation will void the warranty.

PLUMBING

This valve is designed for use with the following connections:

- 1½" Socket & 2" Spigot (For AV2W15C-X & AV3W15C-X)
- 2" Socket & 2½" Spigot (For AV3W15C-X & AV3W20C-X)

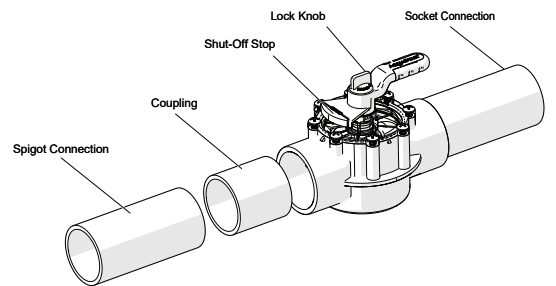
To connect the 2½" and 2" socket, simply fit them into the valve ports. To connect the 2" and 2½" spigot pipes, use a 2" or 2½" pipe coupler or a 45° or 90° fitting (refer to the figures for reference).

Before gluing the valve body to the pipe fittings, make sure to remove the internal valve assembly. Take care to prevent any glue from entering the valve body beyond the ports. WELD-ON® 724 CPVC GRAY is the recommended adhesive for this process.

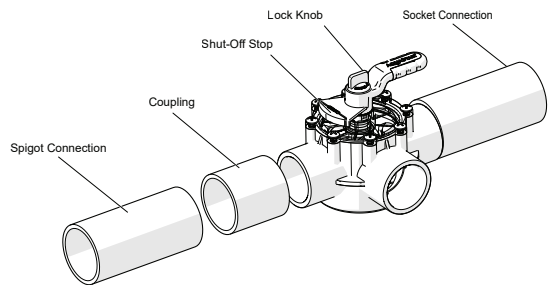
VALVE HANDLE USE

To operate the valve handle, loosen the lock knob and rotate the handle to the desired position. To secure the handle in place, turn the knob down until it is finger tight. Refer to the figure for reference. The internal valve diverter seal will be in the "OFF" position when the indicator is aligned with the "OFF" area. The shut-off stops on the valve cover will prevent the diverter from moving beyond the complete port shut-off position. Make sure that the incoming flow port is aligned with the word "INLET" on the valve cover.

MODEL # AV2W15C-X & AV2W20C-X



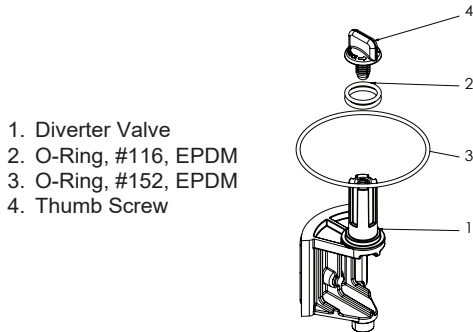
MODEL # AV3W15C-X & AV3W20C-X



REPLACEMENT KITS

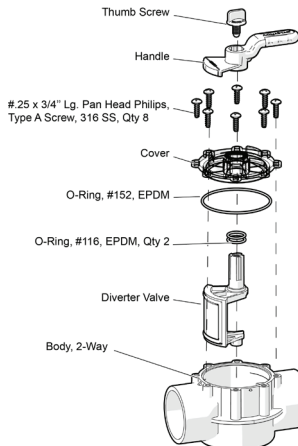
The valve housing is not sold separately. If the valve housing needs to be replaced, the entire valve must be replaced.

MODEL # AV2W15C-X & AV2W20C-X
AV3W15C-X & AV3W20C-X



FLOWSTAR® VALVES ALIGNMENT AND ASSEMBLY ORDER

MODEL # AV2W15C-X & AV2W20C-X



MODEL # AV3W15C-X & AV3W20C-X

