

FILL-LID STANDARD SQUARE 11" SKIMMER COVER AND FRAME



Make your skimmer or autofill cover vanish



FEATURES

- Unique fillable lid allows the cover to virtually disappear with every deck finish.
- Adjustable frame levels out uneven surfaces
- Made with super strong engineered polymer tested to the latest GV154 UV standard
- Internal tabs to help keep finish in place
- 316 stainless steel screws
- Fits AquaStar and most standard skimmers 20 per case

NEW Fits all AquaStar skimmers, autofills, and most standard skimmers

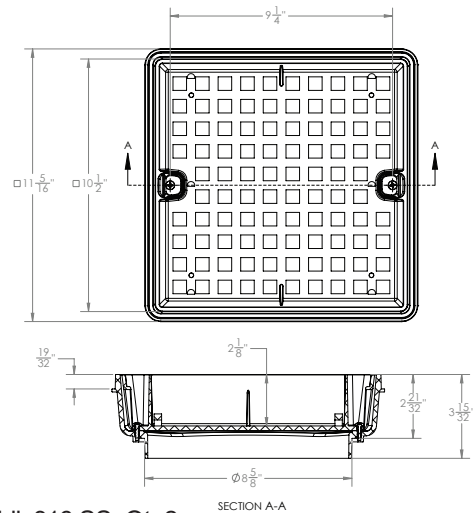
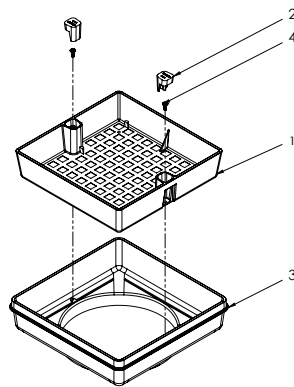


Virtually disappears with every deck finish

Part # SFL11xxx

STANDARD COLORS

-  SFL11101 – White
-  SFL11103 – Light Gray
-  SFL11108 – Tan
-  SFL11100 – Clear



1. Cover, Square Fill-A-Lid, 11"
2. Plug, Fill-Lid, Qty 2
3. Frame, Square Fill-A-Lid, 11"
4. Screw, #10 x 1/2" LG., Pan Phil, 316 SS, Qty2

P 877-768-2717 F 877-276-POOL Outside the US: P +1-949-336-1940 F +1-949-336-1940
 info@aquastarpoolproducts.com www.aquastarpoolproducts.com CS213-062024