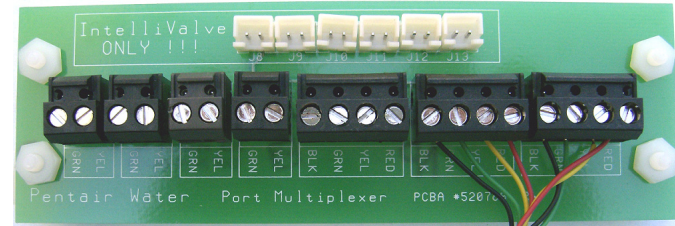


Serial COM Port Expansion Board

(for use with IntelliTouch® and
EasyTouch® systems)



Installation Guide

CONTENTS	
Introduction	1
IntelliTouch and EasyTouch Load Center Installation	1
Mounting the Expansion Board	2
Connecting Accessories to the Expansion Board	3
Wiring a Salt Chlorine Generator to IntelliTouch	5
IntelliFlo and IntelliFlo 4x160 pump wiring pinouts	5

Serial COM port expansion kit contents (P/N 520818)

The following items are included in the kit. If any items are missing please contact Technical Support.

- One Serial COM port expansion board populated with three four position and four two position screw terminal blocks.
- 12 inches of attached wire.
- Installation Guide (this manual)

Technical Support

Contact Technical Support at:
Sanford, North Carolina (8 A.M. to 5 P.M.)
 Phone: (800) 831-7133
Moorpark, California (8 A.M. to 5 P.M.)
 Phone: (800) 831-7133
 Fax: (800) 284-4151
 Web sites: visit www.pentairpool.com and www.staritepool.com

Related IntelliTouch Manual

IntelliTouch User's Guide (P/N 520102)
 EasyTouch Indoor Control Panel Installation and User's Guide (P/N 520617)

© 2006 Pentair Water Pool and Spa, Inc. All rights reserved.
 1620 Hawkins Ave., Sanford, NC 27330 • (919) 566-8000
 10951 West Los Angeles Ave., Moorpark, CA 93021 • (800) 553-5000
 IntelliTouch and EasyTouch are registered trademarks of Pentair Water Pool and Spa, Inc. Other trademarks and trade names may be used in this document to refer to either the entities claiming the marks and names or their products. Pentair Water Pool and Spa, Inc. disclaims proprietary interest in marks and names of others.

Wiring a Salt Chlorine Generator to IntelliTouch

⚠ IMPORTANT WIRING INFORMATION WHEN USING SALT CHLORINE GENERATORS WITH INTELLITOUCH

Be sure to check the wire color and function of the salt chlorine generators before attaching to the IntelliTouch COM port. See the wiring table below.

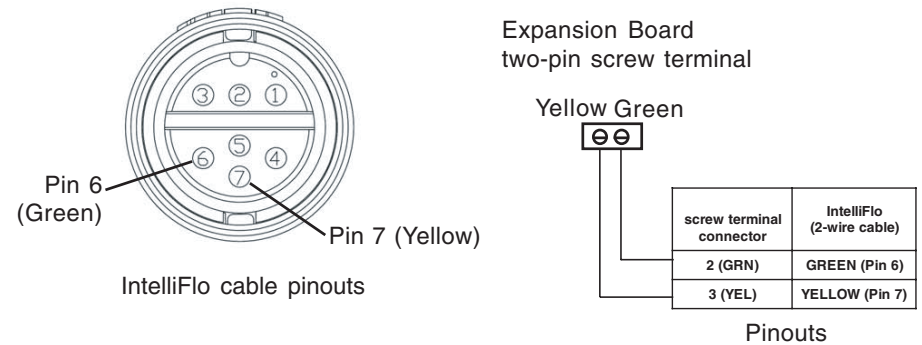
Commonly used salt chlorine generator wiring is shown in the table below but should still be verified.

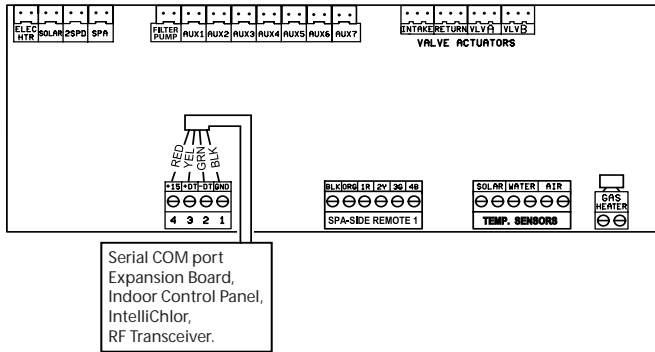
Failure to wire the salt chlorine generator properly can permanently damage the IntelliTouch system or chlorine generator.

IntelliTouch COM port wire color connection	Function	Chlorine Generator Generator commonly used wire colors
RED YELLOW GREEN BLACK	+15V +DATA -DATA GROUND	RED BLACK YELLOW GREEN

IntelliFlo and IntelliFlo 4x160 pump wiring pinouts

- Connect pin 6 (green) on the pump cable to pin 2 (green) on the Expansion Board two-pin screw terminal.
- Connect pin 7 (yellow) on the pump cable to pin 3 (yellow) on the Expansion Board two-pin screw terminal.





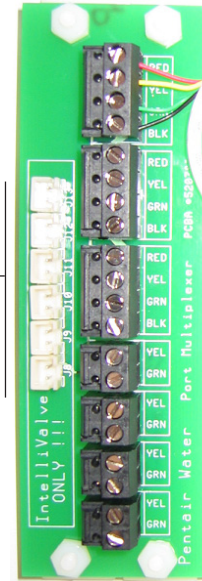
EasyTouch motherboard COM port location

1. **Expansion board COM port connections:** Connect the four-wire connector from the accessory to the COM port on the Expansion board COM port. Accessories include the IntelliTouch iS10 remote controller, QuickTouch, MobileTouch wireless controllers, indoor control panel, the EasyTouch control panel, wireless control panel, and the ScreenLogic protocol adapter, or any accessory that does not require a separate power supply.
2. **Connecting COM port terminal connector wires:** Strip back the cable conductors $\frac{1}{4}$ in. Insert the wires into the screw terminals of one of the COM PORT plugs. Using a small flat-blade screwdriver, secure the wires with the screws. Make sure to match the color coding of the four wires:
 - Pin 4 - Red = +15
 - Pin 3 - Yellow = +DT
 - Pin 2 - Green = -DT
 - Pin 1 - Black = GND
3. **Four two-pin non-power (RS-485) connectors:** Use these connectors to connect to IntelliFlo and IntelliFlo 4x160 pumps, or load centers or any accessory that uses a separate power supply.

Note: IntelliValve connectors: For future use.

Introduction

The Serial COM port expansion board can be used with IntelliTouch and EasyTouch systems. Connect accessory equipment to the board as shown:



Serial COM port expansion board

Six two-pin connectors:
For future use.

Three four-pin screw terminal blocks (COM ports). One COM port must be connected to the IntelliTouch Personality board or EasyTouch motherboard. For use with IntelliTouch iS10 remote controller, QuickTouch, MobileTouch wireless controllers, IntelliTouch indoor control panels, EasyTouch control panel, EasyTouch wireless control panel, ScreenLogic protocol adapter, the IntelliTouch i5x and i10x expansion load centers, IntelliChlor electronic chlorine generator, i-Link Protocol Interface adapter, and many other accessories.

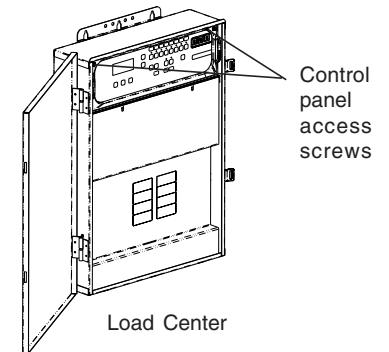
Four two-pin non-power screw terminals. For RS-485 communication to IntelliFlo and IntelliFlo 4x160 pumps.

IntelliTouch and EasyTouch Load Center Installation



WARNING Switch OFF the main system power to the load center before making any connections.

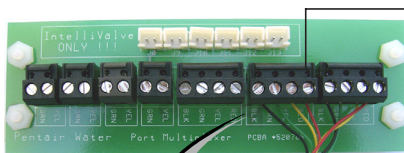
1. Unlatch the two front door spring latches, and open the door.
2. Loosen the two access screws securing the control panel and fold it down.
3. Proceed to “**Mounting the Expansion board,**” on page 2.
4. After the expansion has been mounted and connected, close the control panel into its original position and secure it with the two access screws.
5. Close the load center front door. Fasten the two spring latches.



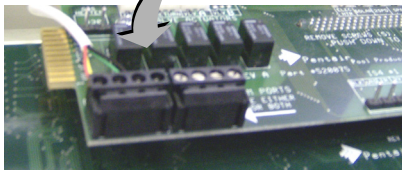
Mounting the Expansion Board

1. Remove the inside terminal connectors (with wires attached) from the Expansion board and connect it to a COM port on the Personality board.

Note: If this a new Load Center installation, you'll have to remove one of the existing (empty) terminal connectors from the Personality board to allow for the Expansion board terminal connector. You can place the (empty) connector onto the available COM port on the Expansion board.



Remove this terminal connector and connect it to an available COM port on the IntelliTouch Personality board or EasyTouch motherboard



Personality Board

2. Mount the Expansion board on to the back wall in the low voltage compartment of the IntelliTouch or EasyTouch load center using the four adhesive backed supports.
3. Proceed to “Connecting Accessories to the Expansion Board,” on page 3.

Connecting Accessories to the Expansion Board

If you have existing accessories (IntelliChlor, IntelliFlo) connected to the IntelliTouch Personality board or EasyTouch motherboard COM port, remove the connector with attached wires and connect the connector to an available terminal on the Expansion board COM port (as shown below).

