

**NO TOOLS,
NO CLAMPS,
NO NONSENSE.**

↑TUFF FILTER

POWERFUL – COMPACT – HASSLE-FREE



**White Label
Option**



**Filters to 10
- 15 Microns**



**Up to 5 Year
Warranty**



**Tool-Free
Maintenance**



Designed for serious performance, with zero compromise.

Setting a new standard for pool builders who demand reliability, ease, and adaptability.

Engineered for modern pool systems, this well-crafted cartridge filter combines a compact footprint with outstanding performance. A slim vertical profile makes the most of tight equipment pads, while 200 square feet of filtration surface area delivers consistently clear water across extended cleaning cycles.

Routine maintenance stays simple and efficient. The twist-lock lid opens in seconds without tools, cutting downtime and keeping servicing clean and quick. Inlet and outlet ports are ready for both 1.5" and 2" plumbing setups, allowing seamless connection without modification to existing lines.

Designed for professionals who expect long-term reliability without unnecessary complexity, every detail is made to support faster installs, easier servicing, and better results in the field.

The cartridge filter made for the toughest conditions.

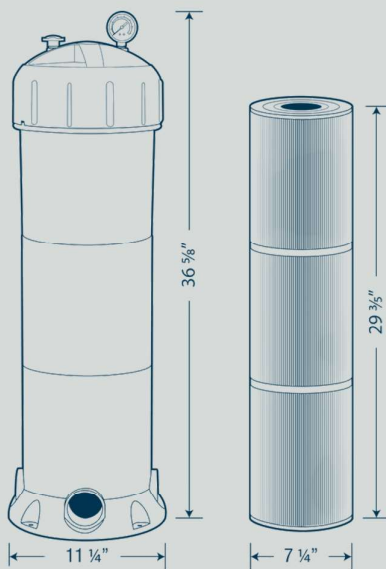
Filters down to 10-15 Microns.

Delivering high-performance filtration in a compact, easy-to-service format. The space-saving design not only maximizes available pad space but also significantly improves hydraulic efficiency, helping systems run cleaner with less strain.

Flow capacity of up to 150 GPM suits both residential and light commercial applications, with versatile connection options that make integration simple while the robust UV and chemical resistant housing is built to withstand continuous outdoor exposure without degrading over time.

Designed to streamline installation and reduce maintenance demands, this is a durable, low-fuss solution for consistently clear water and long-term reliability.

DISCOVER SMARTER



SPECIFICATIONS

Max. Flow Rate (Gallons per minute)	1.5 Inch Pipe	80 GPM
	2 Inch Pipe	120 GPM
	Unrestricted	150 GPM
Effective Filtration Size	10–15 microns (µm)	
Filtration Surface Area	200 sq. ft.	
Suitable Pool Size	Up to 36,000 gallons	
Turnover Time (per 1,000 gallons)	1.5 Inch Pipe	7 minutes
	2 Inch Pipe	12 minutes
Max. Working Pressure	40.5 psi / 280 kPa	
Max. Ambient Temperature	130°F	

HIGH FLOW CAPACITY

Rated for up to 150 GPM. Built for modern high-output systems that demand consistent and efficient circulation.

EXTENDED CLEANING CYCLE

200 sq. ft. of filter area captures fine debris and allows for longer intervals between cleanings with minimal maintenance.

TOOL-FREE MAINTENANCE

Twist-lock access ring makes cartridge removal fast and simple. No clamps or tools required during servicing.

SPACE-SAVING DESIGN

Compact vertical form fits tight equipment pads without compromising on filtration performance.

ENGINEERED DURABILITY

UV-stabilized polymer tank resists cracking, fading, and corrosion. Engineered for long-term outdoor exposure.

UP TO 5-YEARS WARRANTY

Backed by up to 5-years warranty on the body, offering dependable protection and peace of mind.*

Disclaimer: This information was prepared by BuildTuff and every endeavour has been made to publish the correct details in this document. No responsibility will be taken for errors, omissions or changes in product specifications. All performance data taken at sea level. * 5-year limited warranty on the filter body when purchased through a licensed distributor and installed by a qualified professional. 3-year limited warranty for all other purchases or installations. 1-year limited warranty on the filter element. Warranty is non-transferable.

ANOTHER BUILD↑TUFF SYSTEM