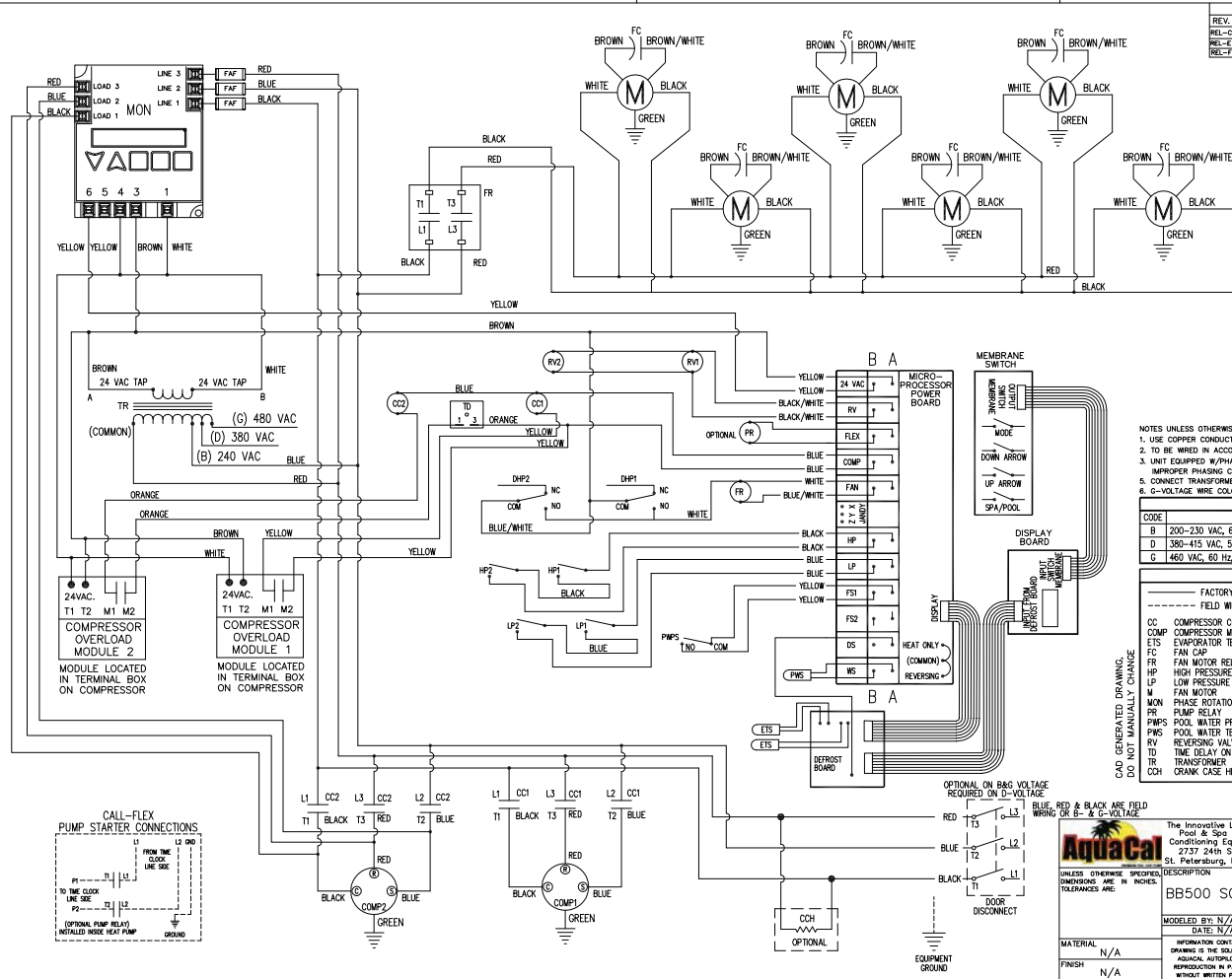


REVISIONS			
REV.	DESCRIPTION	CHG	DATE
REL-C	REDRAWN ON B-SIZE	DKS	9/30/11
REL-4	ADD DEFROST BOARD, PUMP/SPAS	TD	10/26/13
REL-7	REMOVED PHASE ROTATION MONITOR NOTES	TD	1/22/2014



- NOTES UNLESS OTHERWISE SPECIFIED
1. USE COPPER CONDUCTORS ONLY.
  2. TO BE WIRED IN ACCORDANCE WITH NAT'L. ELEC. (NEC) & LOCAL CODES.
  3. UNIT EQUIPPED W/PHASE ROTATION MONITOR. IMPROPER PHASING CAUSES IMPROPER COMPRESSOR OPERATION.
  4. CONNECT TRANSFORMER TO CORRECT VOLTAGE.
  5. G-VOLTAGE WIRE COLORS MAY DIFFER.

VOLTAGE CODES	
B	200-230 VAC, 60 HZ, 3Φ-USE 240 VAC TRANSFORMER TAP
D	380-415 VAC, 50 HZ, 3Φ-USE 380 VAC TRANSFORMER TAP
G	460 VAC, 60 HZ, 3Φ-USE 480 VAC TRANSFORMER TAP

LEGEND			
—	FACTORY WIRING	X	BLACK WIRE
- - - - -	FIELD WIRING	R	RED WIRE
CC	COMPRESSOR CONTACTOR	B	BLUE WIRE
COMP	COMPRESSOR MOTOR	G	GREEN WIRE
EIS	EVAPORATOR TEMPERATURE SENSOR	W	WHITE WIRE
FC	FAN CAP	Y	YELLOW WIRE
FR	FAN MOTOR RELAY	E	ORANGE WIRE
HP	HIGH PRESSURE SWITCH (REFRIGERANT)	N	BROWN WIRE
LP	LOW PRESSURE SWITCH (REFRIGERANT)	L	BLACK/WHITE WIRE
M	FAN MOTOR	C	BLUE/WHITE WIRE
MON	PHASE ROTATION / VOLTAGE MONITOR		
PR	PUMP RELAY		
PWS	POOL WATER PRESSURE SWITCH		
PWS	POOL WATER TEMPERATURE SENSOR		
RV	REVERSING VALVE		
TD	TIME DELAY ON WAKE		
TR	TRANSFORMER		
CCH	CRANK CASE HEATER		

**AquaCal** The Innovative Leader in Pool & Spa Water Conditioning Equipment  
 2737 24th St. No. St. Petersburg, FL 33713

**AUTOPILOT SYSTEMS** SALT CHLORINE GENERATORS

UNLESS OTHERWISE SPECIFIED, DIMENSIONS ARE IN INCHES. TOLERANCES ARE:

BB500 SCHEMATIC, B,D&G-VOLT, R-410A

MATERIAL	N/A	DATE: N/A	DRAWN BY: TD	DATE: 5/23/13	PROJECT ENGRS/DWD BY: --
FINISH	N/A	SCALE: PWP SIZE N/A	REVISED: N/A	REVISION: REL-C	LTMO214

DO NOT SCALE DRAWING

LAST REVISION: 01/28/11

Model BB500GRDSBPA