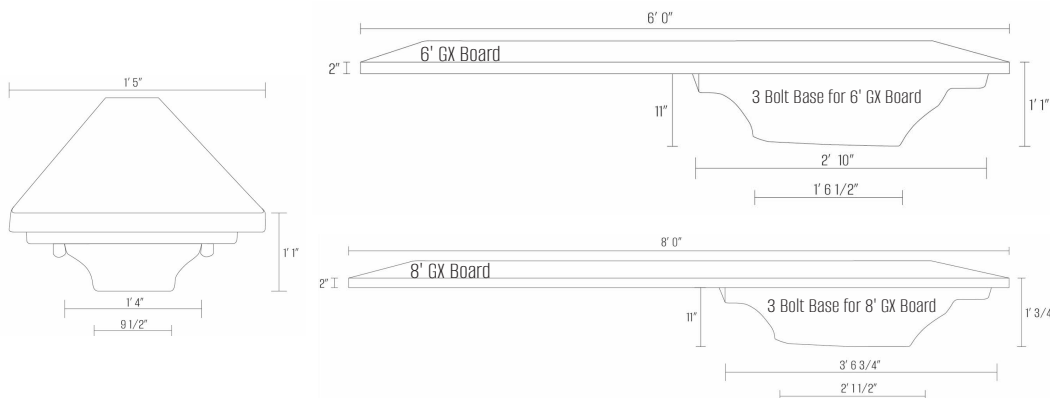


GX Diving Board with 3 Bolt Base™

- Available in 6' or 8' boards
- UV resistant thermal formed shell
- Heavy duty fiberglass reinforcement
- Laminated solid core
- Salt water friendly
- Board and base sold separately
- Weight Limit: 250 lbs./113 kg.



Sand "-S"



White "-W"



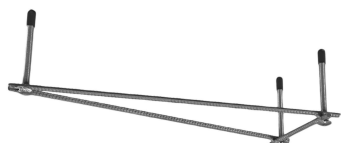
Grey "-G"

Part Numbers	Descriptions
GPP-DB-GX6	6' GX Diving Board
GPP-DB-GX8	8' GX Diving Board
GPP-DB-3B6	3 Bolt Base for 6' GX Diving Board with Jig
GPP-DB-3B8	3 Bolt Base for 8' GX Diving Board with Jig
GPP-DB-3J6	3 Bolt Jig for 3 Bolt Base with 6' GX Board
GPP-DB-3J8	3 Bolt Jig for 3 Bolt Base with 8' GX Board

To select a color for board or base, add corresponding color code to the end of the part number above. To order 3 bolt base with NO JIG, replace "3B6" with "3B6NJ" or "3B8" with "3B8NJ".



3 Bolt Jig for 3 Bolt Base with 6' GX Board



3 Bolt Jig for 3 Bolt Base with 8' GX Board

