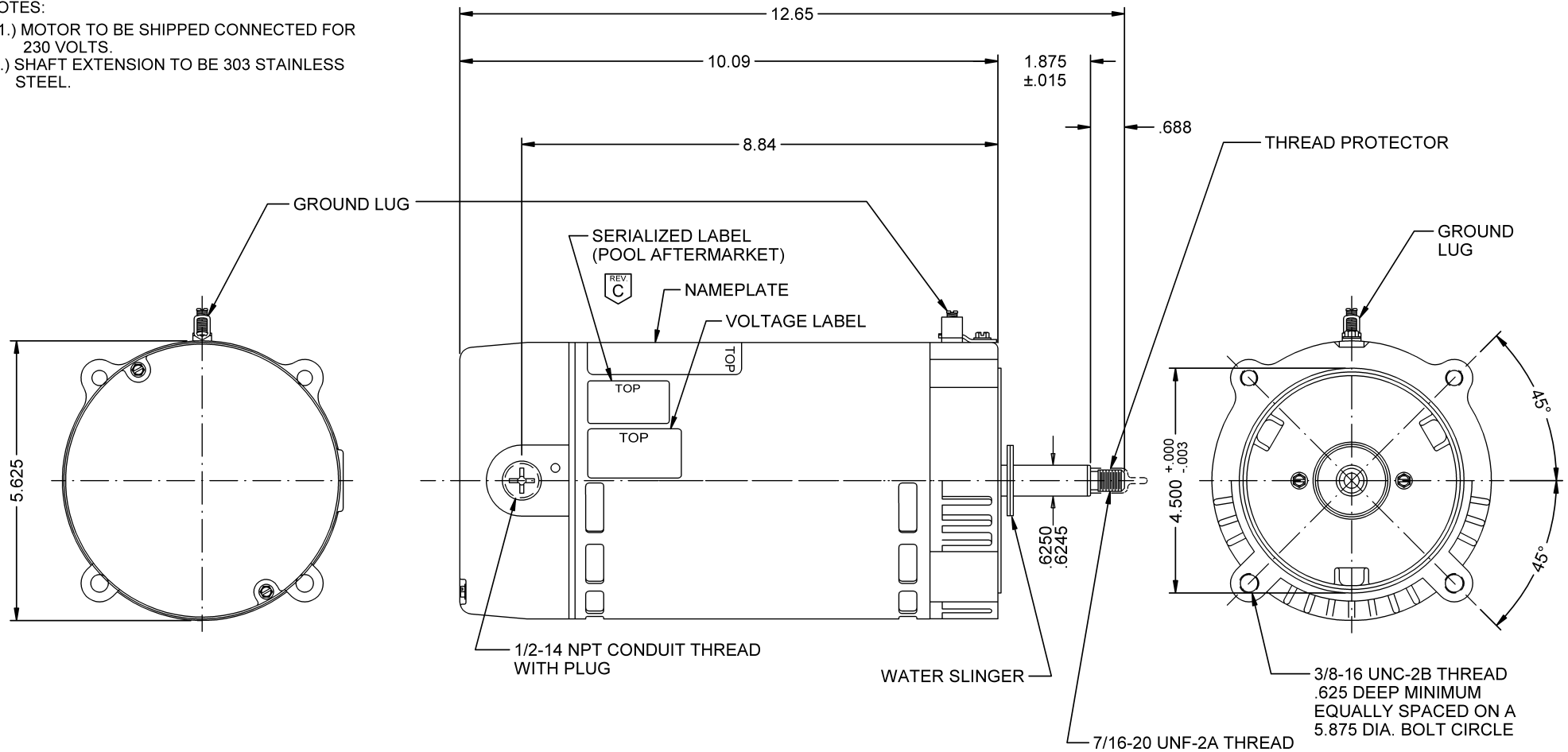


NOTES:

- 1.) MOTOR TO BE SHIPPED CONNECTED FOR 230 VOLTS.
- 2.) SHAFT EXTENSION TO BE 303 STAINLESS STEEL.



CAT. NO.	S.F.	S.F. AMPS	PROTECTOR	BEARING					
EUST1102	1.00	6.8/13.6	AUTOMATIC	BALL-BALL					
MODEL	REF	CUSTOMER	HP	VOLTS	AMPS	HZ	RPM	ROTATION	CUSTOMER PN
C55CXKMB-5012		POOL AFTERMARKET	1.0	230/115		60	3450	CCW DRIVE END	

SHEET NUMBER		REV	REVISION RECORD FOR: C7458-00						
1 OF 1		C	ADDED SERIALIZED LABEL.						
REVISION DATE		17-APR-13							
ISSUED BY		REVIEWED BY		ENGINEER APPROVED					
B. ANDRADE		J. SCHRADER		J. SCHRADER					

INFORMATION DISCLOSED ON THIS DOCUMENT IS CONSIDERED PROPRIETARY AND SHALL NOT BE REPRODUCED OR DISCLOSED WITHOUT WRITTEN CONSENT OF NIDEC MOTOR CORPORATION

NIDEC MOTOR CORPORATION

ALL DIMENSIONS ARE FOR REFERENCE ONLY UNLESS TOLERANCE IS GIVEN

TITLE		CODE	ITEM NO.	SIZE
ASSEMBLED VIEW		V01	767337	B